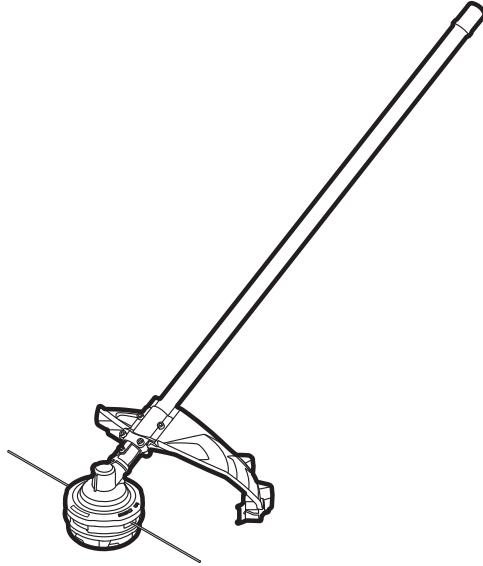


EGO™

POWER⁺ LINE TRIMMER ATTACHMENT



OPERATOR'S MANUAL
**LINE TRIMMER
ATTACHMENT**
MODEL NUMBER STA1500

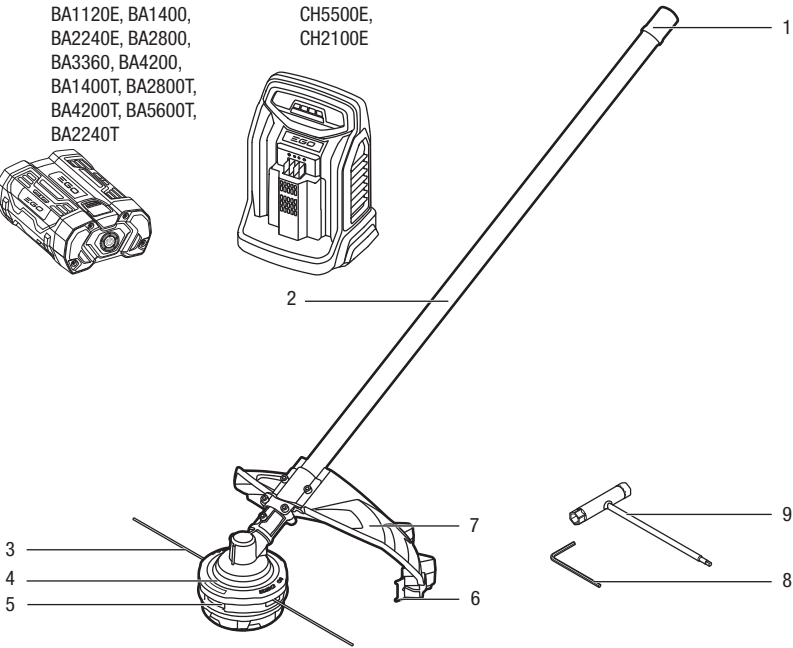
FOR USE ONLY WITH THE 56V LITHIUM-ION POWER HEAD PH1400E

EN	Line trimmer attachment	5	RO	Accesoriu trimmer cu fir	166
DE	Rasentrimmer-Anbauwerkzeug	14	SL	Priključek za kosilnico z nitko	176
FR	Extension Taille-bordure	24	LT	Žoliapjovės įtaisas	186
ES	Accesorio cortabordes con cabezal de hilo	34	LV	Auklas trimera pierce	196
PT	Acessório da roçadora	45	GR	Προσάρτημα χλοοκοπτικού με νήμα	206
IT	Accessorio decespugliatore a filo	54	TR	Misinalı Çim Biçme Aparatı	217
NL	Grastrimmer toebehoor	65	ET	Murutrimmeri tarvik	227
DK	Græstrimmertilbehør	75	UK	Насадка-нісковий тример	236
SE	Tillbehör för kanttrimmer	84	BG	Приставка кордов тример	247
FI	Silmaleikkurilisäosa	94	HR	Priključak šišača trave s reznom niti	258
NO	Tilbehør til kantklipper	104	KA	ელექტროლ სათიბი მიმაგრებდა	268
RU	Насадка триммера с леской	114	SR	Dodatak trimera sa strunom	283
PL	Końcówka-podkaszarka na żyłkę	125	BS	Priključak trimera s reznom niti	292
CZ	Nástavec pro strunovou sekačku	136	HE	אביזר גוזם חוט	302
SK	Nástavec pre strunovú kosačku	146	AR	ملحق الجزارة العائمة بالخيط	311
HU	Fűkaszáló tartozék	156			

A

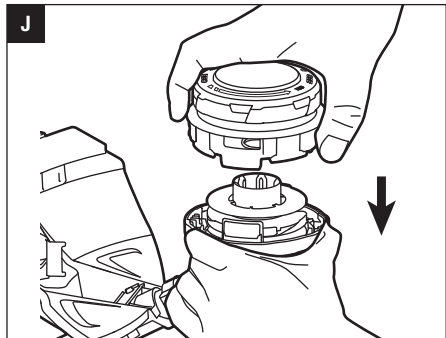
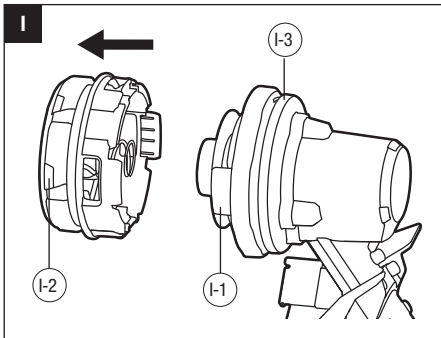
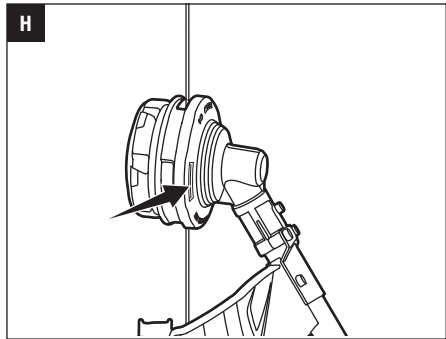
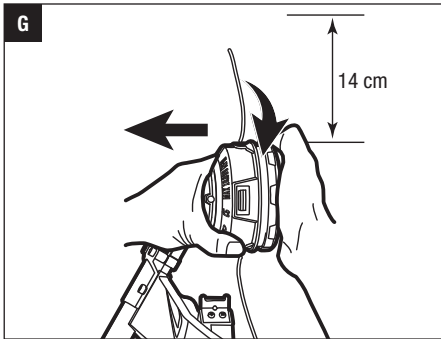
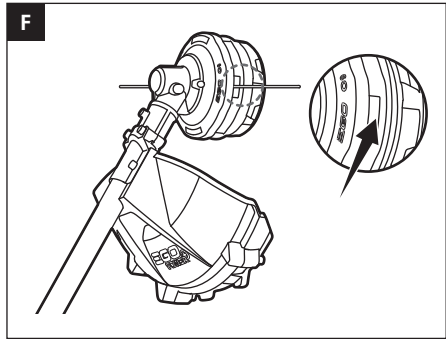
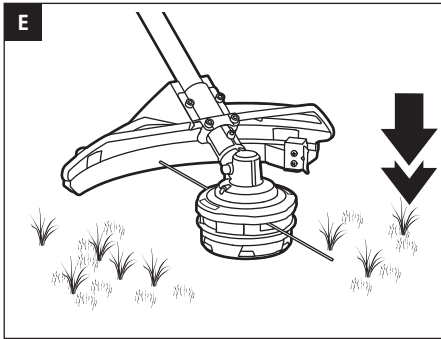
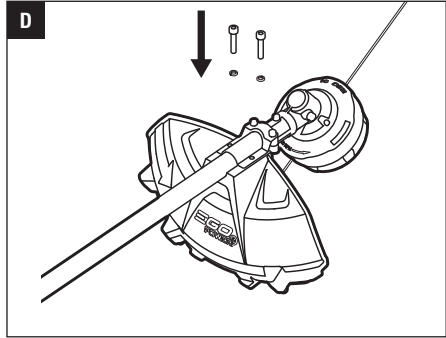
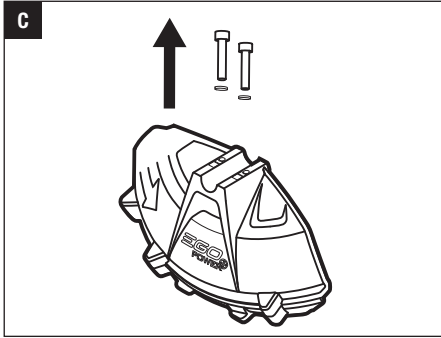
BA1120E, BA1400,
BA2240E, BA2800,
BA3360, BA4200,
BA1400T, BA2800T,
BA4200T, BA5600T,
BA2240T

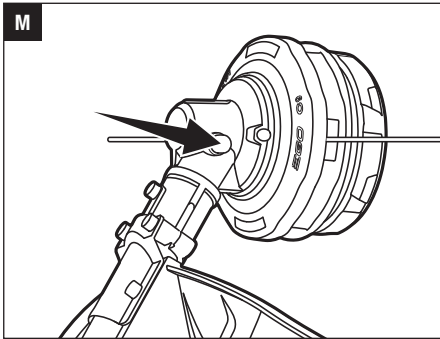
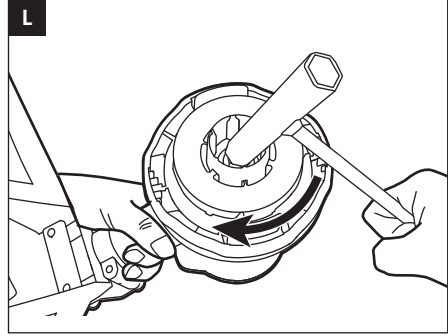
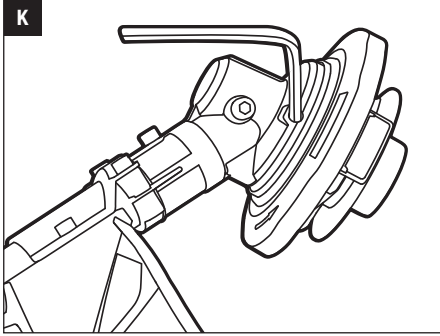
CH5500E,
CH2100E



B







READ ALL INSTRUCTIONS!



READ OPERATOR'S MANUAL

⚠ Residual risk! People with electronic devices, such as pacemakers, should consult their physician(s) before using this product. Operation of electrical equipment in close proximity to a heart pacemaker could cause interference or failure of the pacemaker.

⚠ WARNING: To ensure safety and reliability, all repairs and replacements should be performed by a qualified service technician.

SAFETY SYMBOLS

The purpose of safety symbols is to attract your attention to possible dangers. The safety symbols and the explanations with them deserve your careful attention and understanding. The symbol warnings do not, by themselves, eliminate any danger. The instructions and warnings they give are no substitutes for proper accident prevention measures.

⚠ WARNING: Be sure to read and understand all safety instructions in this Operator's Manual, including all safety alert symbols such as **"DANGER," "WARNING,"** and **"CAUTION"** before using this tool. Failure to follow all instructions listed below may result in electric shock, fire, and/or serious personal injury.

SYMBOL MEANING

⚠ SAFETY ALERT SYMBOL: Indicates DANGER, WARNING, or CAUTION, may be used in conjunction with other symbols or pictographs.






⚠ WARNING: The operation of any power tools can result in foreign objects being thrown into your eyes, which can result in severe eye damage. Before beginning power tool operation, always wear safety goggles or safety glasses with side shields and a full face shield when needed. We recommend a Wide Vision Safety Mask for use over eyeglasses or standard safety glasses with side shields.

SAFETY INSTRUCTIONS

This page depicts and describes safety symbols that may appear on this product. Read, understand, and follow all instructions on the machine before attempting to assemble and operate it.

	Safety Alert	Indicates a potential personal injury hazard.
	Read Operator's Manual	To reduce the risk of injury, user must read and understand the operator's manual before using this product.
	Wear Eye Protection	Always wear safety goggles or safety glasses with side shields and a full face shield when operating this product.
	Wear Ear Protection	Always wear sound barriers (ear plugs or ear muffers) to protect your hearing.
	Wear Head Protection	Wear an approved safety hard hat to protect your head.
	Wear Protective Gloves	Protect your hands with gloves when handling blade or blade guard. Heavy-duty, nonslip gloves improve your grip and protect your hands.
	Wear Safety Footwear	Wear non-slip safety footwear when using this equipment.
	Cutting Width	The Max. cutting width of line trimmer
	Line Diameter	The Diameter of the nylon cutting line
	No round blade	Do not install round cutting blades.
	Ricochet and Keep Bystanders Away	Thrown objects can ricochet and result in personal injury or property damage. Ensure that other people and pets remain away from the brush cutter when it is in use.
	Keep Bystanders Away	Ensure that other people and pets remain at least 15m away from the line trimmer when it is in use.
	Do Not Expose To Rain	Do not use in the rain or leave outdoors while it is raining.

	CE	This product is in accordance with applicable EC directives.
	WEEE	Waste electrical products should not be disposed of with household waste. Take to an authorized recycler.
	Noise	Guaranteed sound power level. Noise emission to the environment according to the European community's Directive.
V	Volt	Voltage
mm	Millimeter	Length or size
cm	Centimeter	Length or size
kg	Kilogram	Weight

GENERAL POWER TOOL SAFETY WARNINGS

⚠ WARNING: Read all safety warnings, instructions, illustrations and specifications provided with this power tool. Failure to follow all instructions listed below may result in electric shock, fire and/or serious injury.

Save all warnings and instructions for future reference.

The term "power tool" in the warnings refers to your mains-operated (corded) power tool or battery-operated (cordless) power tool.

WORK AREA SAFETY

- Keep work area clean and well lit. Cluttered or dark areas invite accidents.
- Do not operate power tools in explosive atmospheres, such as in the presence of flammable liquids, gases or dust. Power tools create sparks which may ignite the dust or fumes.
- Keep children and bystanders away while operating a power tool. Distractions can cause you to lose control.

PERSONAL SAFETY

- **Stay alert, watch what you are doing and use common sense when operating a power tool. Do not use a power tool while you are tired or under the influence of drugs, alcohol medication.** A moment of inattention while operating power tools may result in serious personal injury.
- **Use personal protective equipment. Always wear eye protection.** Protective equipment such as a dust mask,

non-skid safety shoes, hard hat or hearing protection used for appropriate conditions will reduce personal injuries.

- **Prevent unintentional starting. Ensure the switch is in the off-position before connecting to power source and/or battery pack, picking up or carrying the tool.** Carrying power tools with your finger on the switch or energizing power tools that have the switch on invites accidents.
- **Remove any adjusting key or wrench before turning the power tool on.** A wrench or a key left attached to a rotating part of the power tool may result in personal injury.
- **Do not overreach. Keep proper footing and balance at all times.** This enables better control of the power tool in unexpected situations.
- **Dress properly. Do not wear loose clothing or jewellery. Keep your hair, clothing and gloves away from moving parts.** Loose clothes, jewelry or long hair can be caught in moving parts.
- **If devices are provided for the connection of dust extraction and collection facilities, ensure these are connected and properly used.** Use of dust devices can reduce dust-related hazards.
- **Do not let familiarity gained from frequent use of tools allow you to become complacent and ignore tool safety principles.** A careless action can cause severe injury within a fraction of a second.

POWER TOOL USE AND CARE

- **Do not force the power tool. Use the correct power tool for your application.** The correct power tool will do the job better and safer at the rate for which it was designed.
- **Do not use the power tool if the switch does not turn it on and off.** Any power tool that cannot be controlled with the switch is dangerous and must be repaired.
- **Store idle power tools out of the reach of children and do not allow persons unfamiliar with the power tool or these instructions to operate the power tool.** Power tools are dangerous in the hands of untrained users.
- **Maintain power tools and accessories. Check for misalignment or binding of moving parts, breakage of parts and any other condition that may affect the power tool's operation. If damaged, have the power tool repaired before use.** Many accidents are caused by poorly maintained power tools.
- **Keep cutting tools sharp and clean.** Properly maintained cutting tools with sharp cutting edges are less likely to bind and are easier to control.
- **Use the power tool, accessories and tool bits etc. in accordance with these instructions, taking into account the working conditions and the work to be**

performed. Use of the power tool for operations different from those intended could result in a hazardous situation.

- **Keep handles and grasping surface dry, clean and free from oil and grease.** Slippery handles and grasping surfaces do not allow for safe handling and control of the tool in unexpected situations.
- **Keep cables away from the working area of the tool.** During operation cables may be hidden from view and can be accidentally damaged by the tool.

BATTERY TOOL USE AND CARE

- **Recharge only with the charger specified by the manufacturer.** A charger that is suitable for one type of battery pack may create a risk of fire when used with another battery pack.
- **Use power tools only with specifically designated battery packs.** Use of any other battery packs may create a risk of injury and fire.
- **When battery pack is not in use, keep it away from other metal objects, like paper clips, coins, keys, nails, screws or other small metal objects, that can make a connection from one terminal to another.** Shorting the battery terminals together may cause burns or a fire.
- **Under abusive conditions, liquid may be ejected from the battery; avoid contact. If contact accidentally occurs, flush with water. If liquid contacts eyes, additionally seek medical help.** Liquid ejected from the battery may cause irritation or burns.
- **Do not use a battery pack or tool that is damaged or modified.** Damaged or modified batteries may exhibit unpredictable behavior resulting in fire, explosion or risk of injury.
- **Do not expose a battery pack or tool to fire or excessive temperature.** Exposure to fire or temperature above 100 °C may cause explosion.
- **Follow all charging instructions and do not charge the battery pack or tool outside the temperature range specified in the instructions.** Charging improperly or at temperatures outside the specified range may damage the battery and increase the risk of fire.

SERVICE

- **Have your power tool serviced by a qualified repair person using only identical replacement parts.** This will ensure that the safety of the power tool is maintained.
- **Never service damaged battery packs.** Service of battery packs should only be performed by the

manufacturer or authorized service providers.

⚠ WARNING: Read all safety warnings, instructions, illustrations and specifications provided with this power tool. Failure to follow all instructions listed below may result in electric shock, fire and/or serious injury. Save all warnings and instructions for future reference.

Save all warnings and instructions for future reference.

TRAINING

- Read the instructions carefully. Be familiar with the controls and the proper use of the machine.
- Never allow people unfamiliar or children with these instructions to use the appliance. Local regulations can restrict the age of the operator.
- Keep in mind that the operator or user is responsible for accidents or hazards occurring to other people or their property.

PREPARATION

- Never operate the machine while people, especially children, or pets are nearby.
- Wear eye protection and stout shoes at all times while operating the machine.
- The distance between the machine and bystanders shall be at least 15m.
- Never operate the machine while the operator is tired, ill or under the influence of alcohol or other drugs.

OPERATION

- Use the machine only in daylight or good artificial light.
- Never operate the machine with damaged guards or shields or without guards or shields in place.
- Switch on the motor only when the hands and feet are away from the cutting means.
- Always disconnect the machine from the power supply (i.e. remove the battery pack).
 - whenever leaving the machine unattended;
 - before clearing a blockage;
 - before checking, cleaning or working on the machine.
 - after striking a foreign object;
 - whenever the machine starts vibrating abnormally.
- Take care against injury to feet and hands from the cutting means.
- Always ensure that the ventilation openings are kept clear of debris.

MAINTENANCE AND STORAGE

- Disconnect the machine from the power supply (i.e. remove the battery pack) before carrying out maintenance or cleaning work.
- Use only the manufacturer's recommended replacement parts and accessories.
- Inspect and maintain the machine regularly. Have the machine repaired only by an authorized repairer.
- When not in use, store the machine out of the reach of children.

OTHER SAFETY WARNINGS

- **Avoid Dangerous Environments** – Don't use appliances on damp or wet slope.
- **Keep guards in place and in working order.**
- **Keep hands and feet away from the cutting area.**
- **To reduce the risk of injury, never work on a ladder or on any other insecure support. Never hold the cutting unit above waist height.**
- **Check the cutting unit at regular short intervals during operation, or immediately if there is a noticeable change in cutting behavior.**
- **For best results, your battery should be charged in a location where the temperature is greater than 5° C and less than 40° C.** Do not store it outside or in vehicles.
- **If you are approached, stop the motor and cutting unit.**
- **Warn the operator of the danger of blade thrust (only using with 3-teeth blade).**
 - Blade thrust may occur when the spinning blade contacts an object that it does not immediately cut.
 - Blade thrust can be violent enough to cause the unit and/or operator to be propelled in any direction, and possibly lose control of the unit.
 - Blade thrust can occur without warning if the blade snags, stalls or binds.
 - Blade thrust is more likely to occur in areas where it is difficult to see the material being cut.
- **Do not attach any blade to a unit without proper installation of all required parts. Failure to use the proper parts can cause the blade to fly off and seriously injure the operator and/or bystanders. Discard blades that are bent, warped, cracked, broken, or damaged in any way. Use a sharp blade. A dull blade is more likely to snag and thrust (only using with 3-teeth blade).**
- **A coasting blade/line can cause injury while it continues to spin after the motor is stopped or trigger is released. Maintain proper control until the blade/line has completely stopped rotating.**

- **Battery tools do not have to be plugged into an electrical outlet; therefore, they are always in operating condition.** Be aware of possible hazards even when the tool is not operating. Take care when performing maintenance or service.
- **Do not wash with a hose; avoid getting water in motor and electrical connections.**
- **If situations occur that are not covered in this manual, use care and good judgment. Contact the EGO Customer Service Center for assistance.**
- Use only with battery packs and chargers listed in fig.A

SAVE THESE INSTRUCTIONS!

SPECIFICATIONS

Cutting Mechanism		Bump Head
Line Diameter		2.4 mm nylon twist line
Cutting Width		38 cm
No-Load Speed		5000/6000 min ⁻¹
Weight (Without battery pack)		1.59 kg
Recommended Operating Temperature		0°C-40°C
Recommended Storage Temperature		-20°C-70°C
Measured sound power level L _{WA}		94.6 dB(A) K=1.80 dB(A)
Sound pressure level at operator's ear L _{PA}		83.2 dB(A) K= 3 dB(A)
Guaranteed sound power level L _{WA} (measured according to 2000/14/EC)		96 dB(A)
Valuation of vibration a _h	Front-assist handle	1.1 m/s ² K=1.5 m/s ²
	Rear handle	1.4 m/s ² K=1.5 m/s ²

- The above parameters are tested and measured equipped with power head PH1400E.
- The declared vibration total value has been measured in accordance with a standard test method and may be used for comparing one tool with another;
- The declared vibration total value may also be used in a preliminary assessment of exposure.

NOTICE: The vibration emission during actual use of the power tool can differ from the declared value in which the tool is used; In order to protect the operator, user should wear gloves and ear protectors in the actual conditions of use.

PACKING LIST

PART NAME	QUANTITY
Line Trimmer Attachment	1
Guard	1
Hex Wrench	1
Multi-Function Wrench	1
Operator's Manual	1

About recommended cutting line, please visit the website egopowerplus.com or refer to the EGO Product Catalogue.

DESCRIPTION

KNOW YOUR LINE TRIMMER ATTACHMENT (Fig. A)

1. End Cap
2. Line trimmer Shaft
3. Cutting Line
4. Trimmer Head (Bump Head)
5. Release Tab
6. Line-cutting Blade
7. Guard
8. Hex Wrench
9. Multi-Function Wrench

⚠ WARNING: Never operate the tool without the guard firmly in place. The guard must always be on the tool to protect the user.

ASSEMBLY

⚠ WARNING: If any parts are damaged or missing, do not operate this product until the parts are replaced. Use of this product with damaged or missing parts could result in serious personal injury.

⚠ WARNING: Do not attempt to modify this product or create accessories not recommended for use with this line trimmer. Any such alteration or modification is misuse and could result in a hazardous condition leading to possibly serious personal injury.

⚠ WARNING: Do not connect to power head until assembly is complete. Failure to comply could result in accidental starting and possible serious personal injury.

MOUNTING THE GUARD

⚠ WARNING: Always wear gloves when mounting or

replacing the guard. Be careful of the blade on the guard and protect your hands from being injured by the blade.

Loosen and remove the two screws from the guard (Fig. C), align the guard mounting holes with the assembly holes and then lock the guard onto the shaft base with the two screws, together with two spring washers (Fig. D).

Make sure the guard is fixed according to Fig. C & D, any reverse fixing will cause great danger!

CONNECTING THE LINE TRIMMER ATTACHMENT TO THE POWER HEAD

This line trimmer attachment is designed for use with EGO Power Head PH1400E.

See " **INSTALLING AN ATTACHMENT TO THE POWER HEAD** " section in the power head PH1400E operator's manual.

OPERATION

⚠ WARNING: Do not allow familiarity with this product to make you careless. Remember that a careless fraction of a second is sufficient to inflict serious injury.

⚠ WARNING: Always wear eye protection, along with hearing protection. Failure to do so could result in objects being thrown into your eyes and other possible serious injuries.

APPLICATIONS

You may use this product for the purpose listed below:

- Trimming grass and weeds from around porches, fences, and decks

NOTICE: The tool is to be used only for its prescribed purpose. Any other use is deemed to be a case of misuse.

Before each use check for damaged/worn parts

Check the trimmer head, guard and front-assist handle and replace any parts that are cracked, warped, bent, or damaged in any way.

The line-cutting blade on the edge of the guard can dull over time. It is recommended that you periodically sharpen it with a file or replace it with a new blade.

⚠ WARNING: Always wear gloves when mounting or replacing the guard or when sharpening or replacing the blade. Note the location of the blade on the guard and protect your hand from injury.

⚠ WARNING: To prevent serious personal injury, remove the battery pack from the power head before servicing, cleaning, changing attachments or removing material from the unit.

USING THE LINE TRIMMER WITH POWER HEAD

⚠ WARNING: Dress properly to reduce the risk of injury when operating this tool. Do not wear loose clothing or jewelry. Wear eye and ear/hearing protection. Wear heavy, long pants, boots and gloves. Do not wear short pants or sandals or go barefoot.

⚠ WARNING: Clear the area to be cut before each use. Remove all objects, such as rocks, broken glass, nails, wire, or string that can be thrown or become entangled in the cutting attachment. Clear the area of children, bystanders, and pets. At a minimum, keep all children, bystanders and pets at least 15m away; there still may be risk to bystanders from thrown objects. Bystanders should be encouraged to wear eye protection. If you are approached, stop the motor and cutting attachment immediately.

For safe and better operation, put on the shoulder strap across the shoulder. Adjust the shoulder strap in a comfortable operating position. Hold the line trimmer with your one hand on the rear handle and your other hand on the front-assist handle. Keep a firm grip with both hands while in operation. The line trimmer should be held at a comfortable position with the rear handle about hip height. The trimmer head should be parallel to the ground such that it easily contacts the material to be cut without the operator having to bend over (Fig. B).

⚠ WARNING: The shoulder strap is also a quick release mechanism in hazardous situation. When emergency occurs, take it off from your shoulder immediately, no matter what way the strap is in.

After each use, clean the trimmer

See the MAINTENANCE section for cleaning instructions.

TO START/STOP THE TOOL

See “STARTING/STOPPING THE POWER HEAD” section in the power head PH1400E operator’s manual.

ADJUSTING CUTTING LINE LENGTH

The trimmer head allows the operator to release more cutting line without stopping the motor. As line becomes frayed or worn, additional line can be released by lightly tapping the trimmer head on the ground while operating the trimmer (Fig. E).

NOTICE: Line release will become more difficult as the cutting line becomes shorter.

⚠ WARNING: Do not remove or alter the line-cutting blade assembly. Excessive line length will cause the motor to overheat and may result in serious personal injury.

LINE REPLACEMENT

NOTICE: Always use the recommended nylon cutting line with a diameter that does not exceed 2.4 mm. Using line other than that specified may cause the line trimmer to overheat or become damaged.

⚠ WARNING: Never use metal-reinforced line, wire, or rope, etc. These can break off and become dangerous projectiles.

1. Remove the battery pack
2. Remove the remaining cutting line, if necessary. Simply pull it out by hand.
3. Cut 4m long cutting line, Insert the line into the mounting hole inside the eyelet (Fig. F). Push and pull the line from the other side until equal amounts of line appear on both sides of the spool.
4. Press, while rotating the lower cover assembly in the arrow direction, to wind the line onto the spool until approximately 14cm of line is showing on each side (Fig. G).
5. Push the lower cover assembly down while pulling on the lines to manually advance the line and to check for proper assembly of the trimmer head.

When the cutting line breaks from the line outlet or the cutting line is not released when tapping the trimmer head, follow the steps below:

1. Remove the battery pack.
2. Press the release tabs on the upper cover and remove the lower cover assembly by pulling it straight out (Fig. H& I).
3. Remove the cutting line from the spool.
4. With one hand holding the Upper cover, use the other hand to grasp the lower cover assembly and align the tabs on the upper cover with the holes lower cover assembly base (Fig. J); use your palm to press and rotate the lower cover assembly left and right until the tabs lock with the upper cover (Fig. K).
5. Following the instructions in “LINE REPLACEMENT” to reload the cutting line.

When the tool is intended to use as a brush cutter, follow the steps as Fig. L & M shown to disassemble the trimmer head.

MAINTENANCE

⚠ WARNING: Before inspecting, cleaning or servicing the unit, stop the motor, wait for all moving parts to stop, and remove the battery pack. Failure to follow these instructions can result in serious personal injury or property damage.

⚠ WARNING: When servicing, use only identical replacement parts. Use of any other parts can create a hazard or cause product damage. To ensure safety and reliability, all repairs, other than the items listed in these maintenance instructions, should be performed by a qualified service technician.

GENERAL MAINTENANCE

Avoid using solvents when cleaning plastic parts. Most plastics are susceptible to damage from various types of commercial solvents and may be damaged by their use. Use clean cloths to remove dirt, dust, oil, grease, etc.

CLEAN THE UNIT

- Clear any grass that may have wrapped itself around the motor shaft or trimmer head.
- Use a small brush or a small vacuum cleaner to clean the air vents on the rear housing.
- Clean the unit using a damp cloth with a mild detergent.
- Do not use any strong detergents on the plastic housing or the handle. They can be damaged by certain aromatic oils, such as pine and lemon, and by solvents such as kerosene. Moisture can also cause a shock hazard. Wipe off any moisture with a soft dry cloth.

TRANSMISSION GEARS LUBRICATION

The transmission gears in the gear case need be lubricated periodically with gear grease. Check the gear case grease level about every 50 hours of operation by removing the sealing screw on the side of the case.

If no grease can be seen on the flanks of the gear, follow the steps below to fill with gear grease up to 3/4 capacity.

Do not completely fill the transmission gears.

1. Hold the line trimmer on its side so that the sealing screw is facing upwards .
2. Use the multi-function wrench provided to loosen and remove the sealing screw.
3. Use a grease syringe (not included) to inject some grease into the screw hole; do not exceed 3/4 capacity.
4. Tighten the sealing screw after injection.

STORING THE UNIT

- Remove the battery pack from the trimmer.
- Clean the tool thoroughly before storing it.

- If the line trimmer attachment is removed from the power head and stored separately: Fit the end cap on the attachment shaft to avoid dirt getting into the coupler.
- Store the unit in a dry, well-ventilated area, locked-up or up high, out of the reach of children. Do not store the unit on or adjacent to fertilizers, gasoline, or other chemicals.

Protecting the environment



Do not dispose of electrical equipment, battery charger and batteries/ rechargeable batteries into household waste!

According to the European law 2012/19/EU, electrical and electronic equipment that is no longer usable, and according to the European law 2006/66/EC, defective or used battery packs/batteries, must be collected separately.

If electrical appliances are disposed of in landfills or dumps, hazardous substances can leak into the groundwater and get into the food chain, damaging your health and well-being.

EN TROUBLESHOOTING

PROBLEM	CAUSE	SOLUTION
Line trimmer fails to start.	<ul style="list-style-type: none"> ■ The battery pack is not attached to the power head. ■ No electrical contact between the power head and the battery pack. ■ The battery pack is depleted. ■ The lock-off lever and trigger are not depressed simultaneously. 	<ul style="list-style-type: none"> ■ Attach the battery pack to the power head. ■ Remove battery, check contacts and reinstall the battery pack until it snaps into place. ■ Charge the battery pack with EGO chargers listed in this manual. ■ Press down the lock-off lever and hold it, then depress the trigger to turn on the line trimmer.
Line trimmer stops while cutting.	<ul style="list-style-type: none"> ■ The guard is not mounted on the trimmer, resulting in an overly long cutting line and motor overload. ■ Heavy cutting line is used. ■ The motor shaft or trimmer head is bound with grass. ■ The motor is overloaded. ■ The battery pack or line trimmer is too hot. ■ The battery pack is disconnected from the tool. ■ The battery pack is depleted. 	<ul style="list-style-type: none"> ■ Remove the battery pack and mount the guard on the trimmer. ■ Use recommended nylon cutting line with diameter no greater than 2.4 mm. ■ Stop the trimmer, remove the battery, and remove the grass from the motor shaft and trimmer head. ■ Remove the trimmer head from the grass. The motor will recover when the load is removed. When cutting, move the trimmer head in and out of the grass to be cut and remove no more than 20 cm of length in a single cut. ■ Allow the battery pack or trimmer to cool until the temperature drops below 67°C . ■ Re-install the battery pack. ■ Charge the battery pack with EGO chargers listed in this manual.

PROBLEM	CAUSE	SOLUTION
Trimmer head will not advance line.	<ul style="list-style-type: none"> ■ The motor shaft or trimmer head is bound with grass. ■ There is not enough line on the spool. ■ The trimmer head is dirty. ■ The line is tangled in the trimmer head assembly. ■ The line is too short. 	<ul style="list-style-type: none"> ■ Stop the trimmer, remove the battery, and clean the motor shaft and trimmer head. ■ Remove the battery and replace the cutting line; follow the section “LINE REPLACEMENT” in this manual. ■ Remove the battery and clean the spool, lower cover assembly and upper cover. ■ Remove the battery, remove the line from the spool and rewind; follow the section “RELOAD THE CUTTING LINE” in this manual. ■ Remove the battery and pull the lines manually while alternately pressing down and releasing the trimmer head.
Grass wraps around trimmer head and motor housing.	<ul style="list-style-type: none"> ■ Cutting tall grass at ground level. 	<ul style="list-style-type: none"> ■ Cut tall grass from the top down, removing no more than 20 cm in each pass to prevent wrapping.
The blade is not cutting the line.	<ul style="list-style-type: none"> ■ The line-cutting blade on the edge of the guard has become dull. 	<ul style="list-style-type: none"> ■ Sharpen the line-cutting blade with a file or replace it with a new blade.
Cracks on the trimmer head or the lower cover assembly comes loose with spool base.	<ul style="list-style-type: none"> ■ The trimmer head is worn out. 	<ul style="list-style-type: none"> ■ Replace the trimmer head immediately; follow the section “TRIMMER HEAD REPLACEMENT” in this manual.
During line replacement, the line can't be loaded into the trimmer head properly.	<ul style="list-style-type: none"> ■ The string line is not correctly inserted into the mounting hole in the eyelet. 	<ul style="list-style-type: none"> ■ Align the LOAD lines with the eyelets firstly, then insert the line into the mounting hole, which is located inside the eyelet.

WARRANTY

EGO WARRANTY POLICY

Please visit the website egopowerplus.com for full terms and conditions of the EGO Warranty policy.

LESEN SIE ALLE ANWEISUNGEN

DE



LESEN SIE DIE BEDIENUNGSANLEITUNG

⚠ Restrisiko! Menschen mit elektronischen Geräten, wie z.B. Herzschrittmachern, sollten ihren Arzt konsultieren, bevor sie dieses Gerät verwenden. Die Bedienung von Elektrogeräten in unmittelbarer Nähe zu Herzschrittmachern kann zu Interferenzen und Störungen des Schrittmachers führen.

⚠ WARNUNG: Um die Sicherheit und Zuverlässigkeit zu gewährleisten, sollten alle Reparaturen und der Austausch von Teilen nur von qualifizierten Servicetechnikern durchgeführt werden.

SICHERHEITSSYMBOL

Der Zweck von Warnsymbolen besteht darin, Ihre Aufmerksamkeit auf mögliche Gefahren zu lenken. Die Warnsymbole und deren Erklärungen verdienen Ihre vollste Aufmerksamkeit und Beachtung. Durch die Warnsymbole allein sind die Gefahren noch nicht ausgeschaltet. Die Anweisungen und Warnhinweise stellen keinen Ersatz für angemessene Unfallverhütungsmaßnahmen dar.

⚠ WARNUNG: Vor der Benutzung dieses Werkzeugs sollten alle Sicherheitshinweise in dieser Bedienungsanleitung gelesen und bekannt sein. Das gilt auch für sämtliche Warnsymbole, die auf „GEFAHR“, „WARNUNG“, und „VORSICHT“ hinweisen. Die Nichtbeachtung auch nur einer der unten aufgeführten Anweisungen kann zu Stromschlägen, Feuer und/oder schweren Verletzungen führen.

SYMBOLBEDEUTUNG

⚠ SICHERHEITSWARNSYMBOL: Bedeutet GEFAHR, WARNUNG oder Vorsicht, kann zusammen mit anderen Symbolen oder Symbolen benutzt werden.



⚠ WARNUNG: Die Bedienung von Elektrogeräten kann dazu führen, dass Fremdkörper in Ihre Augen geschleudert werden und Sie dadurch schwerwiegende Augenschäden davontragen. Tragen Sie immer eine Schutzbrille, wenn möglich mit Seitenschutz, oder, falls nötig, einen vollen Gesichtsschutz, bevor Sie Arbeiten mit dem Elektrowerkzeug verrichten. Wir empfehlen Ihnen, einen Gesichtsschutz über Ihrer eigenen Brille oder eine herkömmliche Schutzbrille mit Seitenschutz zu tragen.

SICHERHEITSHINWEISE

Auf dieser Seite werden die Warnsymbole vorgestellt und beschrieben, die sich unter Umständen am Gerät befinden. Lesen, verinnerlichen und befolgen Sie alle Anleitungen am Gerät, bevor Sie versuchen, das Gerät zusammenzubauen und zu bedienen.

	Sicherheitswarnung	Weist auf mögliche Verletzungsgefahr hin.
	Lesen sie alle anweisungen!	Um das Verletzungsrisiko zu verringern, muss der Benutzer die Bedienungsanleitung vor der Verwendung des Gerätes gelesen und verstanden haben.
	Augenschutz tragen	Tragen Sie immer eine Schutzbrille, möglichst mit Seitenschutz, und einen Gesichtsschutz, wenn Sie das Gerät bedienen.
	Tragen Sie einen Gehörschutz.	Tragen Sie immer einen Lärmschutz (Ohrenstöpsel oder Kapselgehörschutz), um Ihr Gehör zu schützen.
	Kopfschutz tragen	Tragen Sie einen geprüften Helm, um Ihren Kopf zu schützen.
	Schutzhandschuhe tragen	Schützen Sie Ihre Hände mit Handschuhen, wenn Sie das Gestrüppmesser oder die Messerschutzabdeckung anfassen. Robuste, rutschfeste Handschuhe verbessern Ihre Griffsicherheit und schützen Ihre Hände.
	Schutzschuhe tragen	Tragen Sie beim Gebrauch dieses Gerätes rutschfeste Sicherheitsschuhe.
	Schnittbreite	Die max. Schnittbreite des Rasentrimmers
	Fadendurchmesser	Der Durchmesser des Nylonfadens

	Kein rundes Messer	Keine runden Messer installieren.
	Unbefugte Personen fernhalten	Stellen Sie bei Betrieb sicher, dass andere Personen und Haustiere mindestens 15 m vom Rasentrimmer entfernt sind.
	Unbefugte Personen fernhalten	Stellen Sie bei Betrieb sicher, dass andere Personen und Haustiere mindestens 15 m vom Rasentrimmer entfernt sind.
	Vor Regen schützen	Nicht im Regen verwenden oder bei Regen im Freien liegen lassen.
	CE	Dieses Produkt erfüllt die anwendbaren EG-Richtlinien.
	WEEE	Elektro- und Elektronik-Altgeräte dürfen nicht im Hausmüll entsorgt werden. Bringen Sie das Gerät zu einem zugelassenen Recyclinghof.
	Lärm	Garantierter Schalleistungspegel. Geräuschemission an die Umgebung gemäß Richtlinie der Europäischen Gemeinschaft.
V	Volt	Spannung
mm	Millimeter	Länge oder Größe
cm	Zentimeter	Länge oder Größe
kg	Kilogramm	Gewicht

ALLGEMEINE SICHERHEITSHINWEISE ZU ELEKTROWERKZEUGEN

⚠️ WARNUNG: Lesen Sie alle Sicherheitshinweise, Anweisungen, Abbildungen und Spezifikationen, die mit diesem Elektrowerkzeug geliefert werden. Die Nichtbeachtung der unten aufgeführten Anleitungen kann zu Stromschlägen, Feuer und/oder schweren Verletzungen führen.

Bewahren Sie alle Warn- und Bedienhinweise für

Nachschlagezwecke auf.

Unter den Begriff „Elektrowerkzeug“ in den Warnhinweisen fallen Ihre netzbetriebenen (d. h. schnurgebundenen) oder akkubetriebenen (d.h. schnurlosen) Elektrowerkzeuge.

SICHERHEIT IM ARBEITSBEREICH

- Halten Sie den Arbeitsbereich stets sauber und gut beleuchtet. Nicht aufgeräumte oder dunkle Bereiche können Unfälle provozieren.
- Verwenden Sie das Elektrowerkzeug nicht in explosionsgefährdeten Umgebungen wie z. B. in Gegenwart von entzündlichen Flüssigkeiten, Gasen oder Staub. Elektrowerkzeuge erzeugen Funken, die Staub oder Dämpfe entzünden können.
- Halten Sie Schaulustige und Kinder beim Arbeiten mit dem Elektrowerkzeug fern. Ablenkungen können dazu führen, dass Sie die Kontrolle verlieren.

PERSONENSICHERHEIT

- **Seien Sie wachsam, geben Sie darauf Acht, was Sie tun, und benutzen Sie Ihren gesunden Menschenverstand, wenn Sie das Elektrowerkzeug verwenden. Betreiben Sie das Gerät nicht, wenn Sie müde sind oder unter dem Einfluss von Drogen, Alkohol oder Medikamenten stehen.** Ein Moment der Unachtsamkeit kann zu ernsthaften Verletzungen führen.
- **Tragen Sie eine persönliche Schutzausrüstung. Tragen Sie immer einen Augenschutz.** Durch eine für die jeweiligen Bedingungen geeignete Schutzausrüstung wie etwa eine Staubschutzmaske, rutschfeste Schuhe, Helm oder Gehörschutz lässt sich die Verletzungsgefahr verringern.
- **Ungewollten Motorstart verhindern. Vor dem Anschließen an eine Steckdose und/oder einen Akku und vor dem Aufheben oder Transportieren des Werkzeugs immer kontrollieren, ob der Betriebsschalter ausgestellt ist.** Unfälle sind vorprogrammiert, wenn Sie Elektrowerkzeuge mit einem Finger am Netzschalter tragen oder Elektrowerkzeuge mit eingeschaltetem Netzschalter an eine Steckdose anschließen.
- **Entfernen Sie alle Einstellschlüssel oder Schraubenschlüssel, bevor Sie das Elektrowerkzeug einschalten.** Ein Schraubenschlüssel oder ein Schlüssel, der noch an einem beweglichen Teil des Elektrowerkzeuges befestigt ist, kann zu Verletzungen führen.
- **Nicht überstrecken. Achten Sie stets auf einen festen Stand und halten Sie das Gleichgewicht.** Dies ermöglicht eine bessere Kontrolle über das Elektrowerkzeug in unerwarteten Situationen.

- **Tragen Sie angemessene Kleidung.** Tragen Sie keine weite Kleidung oder Schmuck. Halten Sie Ihr Haar, Ihre Kleidung und Handschuhe von den beweglichen Teilen fern. Weite Kleidung, Schmuck oder langes Haar können sich in den beweglichen Teilen verfangen.
- **Wenn Komponenten zum Anschluss an eine Absauganlage und an Auffangvorrichtungen mitgeliefert werden, achten Sie darauf, dass diese ordnungsgemäß befestigt und benutzt werden.** Durch eine Staubabsaugvorrichtung lassen sich Gefahrenquellen durch Staub ausschalten.
- **Lassen Sie sich nicht durch die aufgrund häufiger Benutzung entstandene Vertrautheit mit Werkzeugen dazu verleiten, unachtsam zu werden und die für Werkzeuge geltenden Sicherheitsgrundsätze zu ignorieren.** Eine fahrlässige Handlung kann bereits im Bruchteil einer Sekunde zu schweren Verletzungen führen.

GEBRAUCH UND PFLEGE DES ELEKTROWERKZEUGS

- **Üben Sie keinen übermäßigen Druck auf das Elektrowerkzeug aus. Verwenden Sie geeignetes Elektrowerkzeug für die jeweiligen Arbeiten.** Durch das passende Elektrowerkzeug lassen sich die Arbeiten besser und sicherer in dem jeweils vorgesehenen Tempo erledigen.
- **Verwenden Sie das Elektrowerkzeug nicht, wenn sich der Schalter nicht ein- und ausschalten lässt.** Ein Elektrowerkzeug, das sich über den Schalter nicht betätigen lässt, ist gefährlich und muss repariert werden.
- **Bewahren Sie nicht benutzte Elektrowerkzeuge außerhalb der Reichweite von Kindern auf und verbieten Sie Personen die Gerätebenutzung, die das Elektrowerkzeug oder diese Anweisungen nicht kennen.** In den Händen ungeübter Benutzer stellen Elektrowerkzeuge eine große Gefahr dar.
- **Warten Sie Elektrowerkzeuge und Zubehörteile. Achten Sie auf falsch ausgerichtete oder fest sitzende Bauteile, Bruchstellen und sonstige Umstände, die die Funktion des Elektrowerkzeuges beeinträchtigen können. Lassen Sie beschädigte Elektrowerkzeuge reparieren, bevor Sie sie wieder einsetzen.** Viele Unfälle entstehen durch schlecht gewartete Elektrowerkzeuge.
- **Halten Sie Schneidwerkzeuge scharf und sauber.** Sachgemäß gewartete Schneidwerkzeuge mit scharfen Schneiden neigen weniger zum Festfahren und sind leichter zu kontrollieren.
- **Benutzen Sie das Elektrowerkzeug, Zubehör, Werkzeugteile usw. gemäß diesen Anweisungen und berücksichtigen Sie dabei die Arbeitsbedingungen und die auszuführende Arbeit.** Die Verwendung des Elektrowerkzeugs für Aufgaben,

die von seinem bestimmungsgemäßen Zweck abweichen, können zu gefährlichen Situationen führen.

- **Halten Sie die Griffe und Griffflächen trocken, sauber und frei von Öl und Fett.** Rutschige Griffe und Griffflächen beeinträchtigen die sichere Handhabung des Werkzeugs und führen in unerwarteten Situationen zum Verlust der Kontrolle über das Werkzeug.
- **Halten Sie Kabel vom Arbeitsbereich des Werkzeugs fern.** Während der Arbeiten können Kabel verdeckt oder verborgen sein und versehentlich von dem Werkzeug beschädigt werden.

BENUTZUNG UND PFLEGE VON AKKUWERKZEUGEN

- **Laden Sie den Akku nur mit dem vom Hersteller angegebenen Ladegerät auf.** Ein Ladegerät, das für einen bestimmten Akkutyp geeignet ist, kann bei der Benutzung eines anderen Akkus zu einer Brandgefahr werden.
- **Benutzen Sie für die Elektrowerkzeuge nur die jeweils zugehörigen Akkus.** Durch die Verwendung anderer Akkus besteht Verletzungs- und Brandgefahr.
- **Wenn der Akku nicht benutzt wird, halten Sie ihn von anderen metallischen Objekten fern, wie Büroklammern, Münzen, Schlüssel, Nägel, Schrauben oder anderen kleinen Metallgegenständen, die eine Verbindung zwischen den Batteriekontakten herstellen können.** Das Kurzschließen der Batteriekontakte kann Verbrennungen oder Brände verursachen.
- **Bei unsachgemäßer Anwendung kann Flüssigkeit aus dem Akku austreten; Kontakt vermeiden.** Bei versehentlichem Kontakt sofort mit Wasser spülen. Falls Flüssigkeit in die Augen geraten ist, suchen Sie außerdem einen Arzt auf. Aus dem Akku austretende Flüssigkeit kann Reizungen oder Verbrennungen verursachen.
- **Benutzen Sie keinen Akku oder ein Werkzeug, das beschädigt oder umgebaut wurde.** Beschädigte oder umgebaute Akkus können sich unvorhergesehen verhalten, wodurch möglicherweise ein Brand, eine Explosion oder Verletzungen verursacht werden.
- **Setzen Sie einen Akku oder ein Werkzeug keinem Feuer oder extremen Temperaturen aus.** Feuer oder Temperaturen über 100 °C können eine Explosion verursachen.
- **Beachten Sie alle Ladeanleitungen und laden Sie den Akku oder das Werkzeug nicht außerhalb des in den Anleitungen angegebenen Temperaturbereichs auf.** Das unsachgemäße Aufladen oder Laden außerhalb des angegebenen Temperaturbereichs kann den Akku beschädigen und die Brandgefahr erhöhen.

REPARATUR

- **Lassen Sie Ihr Elektrowerkzeug von einer qualifizierten Fachkraft und nur unter Verwendung identischer Ersatzteile reparieren.** Nur so kann für die Sicherheit des Elektrowerkzeugs gesorgt werden.
- **Reparieren Sie unter keinen Umständen beschädigte Akkus.** Die Reparatur von Akkus sollte ausschließlich von dem Hersteller oder autorisierten Serviceanbietern vorgenommen werden.

⚠ WARNUNG: Beachten Sie alle Warnhinweise, Anleitungen, Abbildungen und technischen Daten, die diesem Elektrowerkzeug beigelegt sind. Die Nichtbeachtung der unten aufgeführten Anleitungen kann zu Stromschlägen, Feuer und/oder schweren Verletzungen führen. Bewahren Sie alle Warn- und Bedienhinweise für Nachschlagezwecke auf. **Bewahren Sie alle Warn- und Bedienhinweise für Nachschlagezwecke auf.**

TRAINING

- Lesen Sie die Anweisungen aufmerksam. Machen Sie sich mit den Bedienelementen und der richtigen Handhabung des Gerätes vertraut.
- Allen Personen, denen die vorliegenden Anweisungen nicht bekannt sind, sowie Kindern muss die Nutzung des Geräts untersagt werden. Für das Mindestalter des Benutzers gelten örtliche Vorschriften.
- Beachten Sie, dass für Unfälle, Personen- oder Sachschäden Dritter der Bediener oder Nutzer des Geräts verantwortlich ist.

VORBEREITUNG

- Setzen Sie das Gerät nie in Betrieb, solange sich noch Personen, insbesondere Kinder, oder Haustiere in der Nähe aufhalten.
- Tragen Sie immer einen Augenschutz und robustes Schuhwerk, während Sie das Gerät benutzen.
- Zwischen dem Gerät und Passanten muss ein Sicherheitsabstand von Mindestens 15 m eingehalten werden.
- Bei Müdigkeit, Krankheit oder unter Alkohol- oder Drogeneinfluss darf das Gerät auf keinen Fall in Betrieb gesetzt werden.

BEDIENUNG

- Nur bei Tageslicht oder unter gutem künstlichen Licht mit dem Gerät arbeiten.
- Bei beschädigten, fehlenden oder nicht angebrachten Schutzvorrichtungen darf das Gerät nicht in Betrieb gesetzt werden.
- Schalten Sie den Motor nur ein, wenn Hände und Füße

nicht in der Nähe der Schneidwerkzeuge sind.

- Trennen Sie das Gerät immer von der Stromversorgung (d. h. entfernen Sie den Akku):
 - Wenn das Gerät unbeaufsichtigt hinterlassen wird
 - Beim Beseitigen von Blockaden
 - Vor dem Prüfen, Reinigen oder Arbeiten am Gerät
 - Nach einem Zusammenstoß mit einem Fremdkörper
 - Wenn das Gerät ungewöhnlich vibriert
- Schützen Sie Ihre Füße und Hände vor Verletzungen durch das Schneidwerkzeug.
- Stellen Sie immer sicher, dass die Lüftungsöffnungen frei von Ablagerungen bleiben.

WARTUNG UND LAGERUNG

- Trennen Sie das Gerät von der Stromversorgung (d. h. nehmen Sie den Akku heraus), bevor Sie das Gerät warten oder reinigen.
- Verwenden Sie nur vom Hersteller empfohlene Ersatzteile und Zubehör.
- Prüfen und warten Sie das Gerät regelmäßig. Lassen Sie das Gerät nur von einer autorisierten Servicewerkstatt reparieren.
- Wenn das Gerät nicht benutzt wird, lagern Sie es außer Reichweite von Kindern.

SONSTIGE SICHERHEITSHINWEISE

- **Vermeiden Sie gefährliche Umgebungen** – Benutzen Sie das Gerät nicht an feuchten oder nassen Böschungen.
- **Alle Schutzvorrichtungen müssen angebracht und intakt sein.**
- **Halten Sie Hände und Füße von dem Schneidebereich fern.**
- **Um das Verletzungsrisiko zu reduzieren, arbeiten Sie nie auf einer Leiter oder einem anderen wackeligen Untergrund. Halten Sie das Schneidwerk niemals über Taillenhöhe.**
- **Überprüfen Sie das Schneidwerk in regelmäßigen Abständen während des Betriebs oder sobald Sie eine Veränderung beim Schnittverhalten bemerken.**
- **Um die besten Ergebnisse zu erzielen, sollte Ihr Akku an einem Ort aufgeladen werden, an dem die Temperatur höher als 5° C und niedriger als 40° C ist.** Lagern Sie den Akku nicht draußen oder in Fahrzeugen.
- **Wenn jemand auf Sie zukommt, stellen Sie den Motor und das Schneidwerk ab.**
- **Warnen Sie den Benutzer vor der Rückschlaggefahr (nur mit einem 3-zahnigen Messer benutzen).**

- Zu einem Rückschlag kann es kommen, wenn das rotierende Messer auf ein Objekt stößt, dass es nicht sofort schneiden kann.
- Ein Rückschlag kann so heftig sein, dass das Gerät und/oder der Benutzer in jede Richtung geschleudert werden können und der Benutzer möglicherweise die Kontrolle über das Gerät verliert.
- Ein Rückschlag kann plötzlich auftreten, wenn das Messer stecken bleibt, blockiert oder sich verklemmt.
- Ein Rückschlag kann eher an Stellen auftreten, wo es schwierig ist, das zu schneidende Material zu sehen.
- **Befestigen Sie kein Messer an einem Gerät, ohne alle erforderlichen Teile sachgemäß zu installieren. Das Messer könnte sich lösen und dem Benutzer und/oder Umstehenden schwere Verletzungen zufügen, wenn nicht die richtigen Teile benutzt werden. Entsorgen Sie verbogene, verformte, gerissene, gebrochene oder in irgendeiner Weise beschädigte Messer. Benutzen Sie ein scharfes Messer. Ein stumpfes Messer wird eher stecken bleiben und einen Rückschlag verursachen (nur mit einem 3-zahnigen Messer benutzen).**
- **Ein auslaufendes Messer/auslaufender Mähfaden kann Verletzungen verursachen, während es/er sich noch dreht, nachdem der Motor angehalten oder der Ein-/Ausschalter losgelassen wurde. Halten Sie das Gerät gut fest, bis das Messer/der Mähfaden vollkommen stillsteht.**
- **Akkubetriebene Werkzeuge müssen nicht an eine Steckdose angeschlossen werden; sie sind daher immer einsatzbereit.** Seien Sie sich möglicher Gefahren bewusst, selbst wenn das Werkzeug nicht eingeschaltet ist. Lassen Sie bei Wartungsarbeiten oder Reparaturen Vorsicht walten.
- **Waschen Sie das Gerät nicht mit dem Wasserschlauch; lassen Sie kein Wasser in den Motor und die elektrischen Verbindungen gelangen.**
- Falls Situationen auftreten, die nicht in dieser Bedienungsanleitung behandelt werden, gehen Sie vorsichtig und vernünftig vor. Reparaturanfragen richten Sie bitte an das EGO-Kundendienstzentrum.
- Nur mit akkus und ladegeräten verwenden, die in abb. A aufgeführt sind.

HEBEN SIE DIESE ANLEITUNG AUF

TECHNISCHE DATEN

Schneidmechanismus	Fadenkopf	
Fadendurchmesser	2,4mm Nylon-Trimmerschnur	
Schnittbreite	38 cm	
Leerlaufdrehzahl	5000/6000 min ⁻¹	
Gewicht (ohne Akku)	1,59 kg	
Empfohlene Betriebstemperatur	0 - 40°C	
Empfohlene Lagertemperatur	-20°C-70°C	
Gemessener Schalleistungspegel L _{WA}	94,6 dB(A) K=1,80 dB(A)	
Schalldruckpegel am Ohr des Bedieners L _{PA}	83,2 dB(A) K=3 dB(A)	
Garantierter Schalleistungspegel L _{WA} (nach 2000/14/EG gemessen)	96 dB(A)	
Vibration a _h	Vorderer Haltegriff	1,1 m/s ² K=1,5 m/s ²
	Hinterer Griff	1,4 m/s ² K=1,5 m/s ²

- Oben genannte Parameter wurden mit dem Kombimotor PH1400E getestet und gemessen.
- Der angegebene Schwingungs-Gesamtwert wurde in Übereinstimmung mit einer Standard-Testmethode gemessen und kann verwendet werden, um Werkzeuge miteinander zu vergleichen.
- Der angegebene Schwingungs-Gesamtwert kann auch als einleitende Feststellung der Belastung verwendet werden.

HINWEIS: Die beim Einsatz des Elektrowerkzeugs entstehenden Istvibrationen können von dem angegebenen Wert abweichen. Zum Schutz des Benutzers sollten Handschuhe und ein Gehörschutz während des Geräteeinsatzes getragen werden.

PACKLISTE

TEILEBEZEICHNUNG	MENGE
Fadenmäher	1
Schutzabdeckung	1
Sechskantschlüssel	1
Multifunktionsschlüssel	1
Bedienungsanleitung	1

Empfehlungen zum Mähfaden finden Sie auf der Website egopowerplus.com oder im EGO-Produktkatalog.

BESCHREIBUNG

AUFBAU (Abb. A)

1. Schutzkappe
2. Rasentrimmerstiel
3. Mähfaden
4. Schneidkopf (Fadenkop)
5. Freigabelasche
6. Fadenmesser
7. Fadenschutz
8. Inbusschlüssel
9. Multifunktionsschlüssel

⚠️ WARNUNG: Setzen Sie das Werkzeug nur in Betrieb, wenn der Fadenschutz fest angebracht ist. Der Fadenschutz muss zum dauerhaften Schutz des Benutzers immer am Werkzeug befestigt sein!

MONTAGE

⚠️ WARNUNG: Wenn Teile beschädigt sind oder fehlen, darf das Gerät erst in Betrieb genommen werden, wenn alle Teile vollständig angebracht sind. Die Verwendung des Geräts mit beschädigten oder fehlenden Teilen kann zu schweren Verletzungen führen.

⚠️ WARNUNG: Versuchen Sie nicht, dieses Produkt zu verändern oder Zubehörteile zu verwenden, die für den Einsatz des Rasentrimmers nicht empfohlen werden. Derartige Änderungen oder Umbauten stellen eine Zweckfremdung dar und können gefährliche Arbeitsbedingungen hervorrufen, bei denen eine schwere Verletzungsgefahr besteht.

⚠️ WARNUNG: Verbinden Sie das Anbauwerkzeug erst mit dem Kombimotor, wenn es vollständig montiert ist. Die Nichtbeachtung dieser Anweisung kann zu ungewolltem Start und schweren Verletzungen führen.

MONTIEREN DES FADENSCHUTZES

⚠️ WARNUNG: Tragen Sie beim Anbringen oder Auswechseln des Fadenschutzes immer Handschuhe.. Achten Sie auf das Messer am Fadenschutz und passen Sie auf, dass Sie sich nicht verletzen.

Lösen Sie die beiden Schrauben am Schaftende (Abb. C) und lassen Sie die Befestigungslöcher des Fadenschutzes mit den Halterungsöffnungen fluchten. Schrauben Sie den Fadenschutz anschließend mit den beiden Schrauben und zwei Federscheiben am Schaftende an (Abb. D).

Achten Sie darauf, dass der Fadenschutz wie in Abb. C & D montiert ist. Wird er falsch herum montiert, besteht große Gefahr!

INSTALLATION DES RASENTRIMMER-ANBAUWERKZEUGS AM KOMBIMOTOR

Dieses Rasentrimmer-Anbauwerkzeug ist zur Verwendung mit dem EGO Kombimotor PH1400E bestimmt.

Siehe Abschnitt „**INSTALLATION EINES ANBAUWERKZEUGS AN DEN KOMBIMOTOR**“ in der Betriebsanleitung des Kombimotors PH1400E.

BEDIENUNG

⚠️ WARNUNG: Vermeiden Sie es, dass die Vertrautheit mit dem Produkt zu Nachlässigkeit führt. Denken Sie daran, dass ein kurzer Moment der Unachtsamkeit zu ernsthaften Verletzungen führen kann.

⚠️ WARNUNG: Tragen Sie immer einen Augenschutz und einen Gehörschutz. Andernfalls besteht die Gefahr, dass Gegenstände in Ihre Augen geschleudert oder andere schwere Verletzungen hervorgerufen werden.

ANWENDUNGEN

Sie können dieses Produkt für den unten aufgeführten Zweck einsetzen:

- Mähen von Gras und Unkraut rund um Veranden, Zäune und Terrassen

HINWEIS: Das Gerät darf nur für seinen vorgeschriebenen Zweck verwendet werden. Jede andere Verwendung gilt als Missbrauch.

Prüfen Sie vor jedem Gebrauch auf beschädigte/abgenutzte Teile

Prüfen Sie den Mähkopf, den Fadenschutz und den vorderen Haltegriff und ersetzen Sie gerissene, verzogene, verbogene oder anders beschädigte Teile.

Das Fadenmesser am Fadenschutzrand wird im Laufe der Zeit stumpf. Es sollte daher regelmäßig mit einer Feile nachgeschliffen oder durch ein neues Messer ersetzt werden.

⚠️ WARNUNG: Tragen Sie immer Handschuhe, wenn Sie den Fadenschutz montieren oder auswechseln oder das Messer nachschleifen bzw. auswechseln. Achten Sie auf das Messer am Fadenschutz und passen Sie auf, dass Sie sich nicht verletzen.

⚠️ WARNUNG: Um schwere Verletzungen zu verhindern, nehmen Sie den Akku vom Kombimotor ab, bevor Sie das Gerät warten, reinigen, Anbauwerkzeuge auswechseln oder Schnittgut aus dem Gerät entfernen.

VERWENDUNG DES RASENTRIMMERS MIT DEM KOMBIMOTOR

⚠️ WARNUNG: Tragen Sie geeignete Kleidung, um das Verletzungsrisiko bei der Benutzung dieses Geräts zu reduzieren. Tragen Sie keine weite Kleidung oder Schmuck. Tragen Sie einen Augen- und Gehörschutz. Tragen Sie eine robuste lange Hose, Stiefel und Handschuhe. Tragen Sie keine kurze Hose oder Sandalen und gehen Sie nicht barfuß.

⚠️ WARNUNG: Räumen Sie den Arbeitsbereich vor jedem Einsatz auf. Entfernen Sie alle Objekte, wie z. B. Steine, zerbrochenes Glas, Nägel, Drähte oder Schnüre, die aus dem Gerät herausgeschleudert werden oder sich in der Schneidvorrichtung verfangen könnten. Halten Sie den Bereich von Kindern, Passanten und Haustieren frei. Halten Sie einen Mindestabstand von 15 m zu Kindern, Passanten und Haustieren ein; auch dann besteht Gefahr durch umhergeschleuderte Gegenstände. Umstehende sollten gebeten werden, Schutzbrillen aufzusetzen. Wenn jemand auf Sie zukommt, stellen Sie den Motor und das Schneidwerkzeug sofort ab.

Legen Sie zum sicheren und einfacheren Arbeiten den Schultergurt an. Stellen Sie den Schultergurt so ein, dass die Arbeitsposition bequem ist. Halten Sie den Rasentrimmer mit einer Hand am hinteren Griff und und mit der anderen Hand am vorderen Haltegriff. Halten Sie das Werkzeug beim Betrieb mit beiden Händen gut fest. Der Rasentrimmer ist in einer bequemen Position zu halten, der hintere Griff befindet sich dabei etwa in Hüfthöhe. Der Mähkopf soll parallel zum Boden stehen und das Material, das gemäht werden soll, problemlos berühren, ohne dass sich der Benutzer nach vorn beugen muss (Abb. B).

⚠️ WARNUNG: Nehmen Sie den Schultergurt in Gefahrensituationen oder Notfällen unverzüglich von der Schulter.

Reinigen Sie den Rasentrimmer nach jedem Gebrauch.

Siehe dazu die Reinigungsanweisungen im Abschnitt WARTUNG.

START/STOPP DES WERKZEUGS

Siehe Abschnitt „START/STOPP DES KOMBIMOTORS“ in der Betriebsanleitung des Kombimotors PH1400E.

EINSTELLEN DER FADENLÄNGE

Der Mähkopf ermöglicht dem Benutzer, den Mähfaden zu verlängern, ohne den Motor anzuhalten. Wenn der Faden ausgefranst oder abgenutzt ist, kann mehr Faden freigegeben werden, indem Sie mit dem Mähkopf leicht auf den Boden klopfen, während Sie den Trimmer benutzen (Abb. E).

HINWEIS: Das Nachführen des Fadens wird umso schwerer, je kürzer der Faden wird.

⚠️ WARNUNG: Der Faden- und Messer-Mechanismus darf nicht verändert oder beseitigt werden. Zu viel Fadenlänge führt zu einer Überhitzung des Motors und kann schwere Verletzungen nach sich ziehen.

FADENWECHSEL

HINWEIS: Verwenden Sie immer den empfohlenen Nylon-Mähfaden mit höchstens 2,4 mm Durchmesser. Bei Verwendung eines anderen Fadens kann sich der Trimmer überhitzen oder beschädigt werden.

⚠️ WARNUNG: Verwenden Sie niemals mit Draht oder Metall verstärkte Fäden o. ä. Diese können abbrechen und zu gefährlichen Geschossen werden.

1. Entfernen Sie den Akkusatz.
2. Entfernen Sie den restlichen Mähfaden, falls erforderlich. Ziehen Sie den Faden einfach mit der Hand heraus.
3. Schneiden Sie einen 4 m langen Mähfaden ab. Führen Sie den Faden in die Montageöffnung in der Öse ein (Abb. F). Schieben Sie den Faden durch und ziehen Sie von der anderen Seite weiter, bis die Fadenstücke auf beiden Seiten der Spule gleich groß sind.
4. Drücken Sie auf die Spulenhalterung und wickeln Sie durch Drehen in Pfeilrichtung den Faden auf die Spule, bis auf beiden Seiten etwa 14 cm Faden überstehen (Abb. G).
5. Schieben Sie die Spulenhalterung nach unten und ziehen Sie dabei an den Fäden, um den Faden von Hand vorwärts zu bewegen und die richtige Montage des Mähkopfs zu überprüfen.

Wenn der Mähfaden vom Fadenauslass abreißt oder der Mähfaden beim Klopfen des Mähkopfs nicht freigegeben wird, ist wie folgt vorzugehen:

1. Entfernen Sie den Akkusatz.
2. Drücken Sie die Freigabelaschen an der Spulenhalterung und entnehmen Sie die Spulenhalterung, indem Sie diese gerade herausziehen (Abb. H und I).
3. Entfernen Sie den Mähfaden aus der Spulenhalterung.
4. Halten Sie mit der einen Hand die Spulenhalterung, nehmen Sie mit der anderen Hand die Spulenhalterung und richten Sie die Laschen auf der Spulenhalterung auf die Löcher in der Spulenhalterung auf die Löcher in der Spulenhalterung aus (Abb. J). Drücken Sie die Spulenhalterung mit der Handfläche nach unten und drehen Sie sie nach

links und rechts, bis die Laschen in die Spulenbasis einrasten (Abb. K).

5. Folgen Sie den Anweisungen im Abschnitt „FADENWECHSEL“, um den Mähfaden neu einzusetzen.

Wenn das Werkzeug als ein Gestrüpschneider benutzt werden soll, folgen Sie den Schritten zum Demontieren des Trimmerkopfes, wie in Abb. L und M gezeigt.

WARTUNG

⚠️ WARNUNG: Vor Überprüfung, Reinigung oder Reparatur des Geräts den Motor ausschalten, warten, bis alle beweglichen Teile zum Stillstand gekommen sind, und Akku abnehmen. Bei Nichtbeachtung dieser Anweisungen kann es zu schweren Verletzungen oder Sachschäden kommen.

⚠️ WARNUNG: Verwenden Sie für die Wartung nur identische Ersatzteile. Die Verwendung anderer Teile kann Unfälle und Schäden am Gerät hervorrufen. Um die Sicherheit und Zuverlässigkeit des Geräts zu gewährleisten, sind alle nicht in dieser Wartungsanleitung genannten Reparaturen von einem qualifizierten Kundendiensttechniker vornehmen zu lassen.

ALLGEMEINE WARTUNG

Verwenden Sie keine Lösungsmittel zum Reinigen von Kunststoffteilen. Die verschiedenen handelsüblichen Lösungsmittel greifen die meisten Kunststoffe an. Verwenden Sie saubere Lappen zum Entfernen von Schmutz, Staub, Öl, Fett usw.

REINIGUNG DES GERÄTES

- Entfernen Sie eventuell um die Motorwelle oder den Mähkopf gewickeltes Gras.
- Reinigen Sie die Lüftungsschlitze am hinteren Gehäuse mit einer kleinen Bürste oder einem kleinen Staubsauger.
- Reinigen Sie das Gerät mithilfe eines feuchten Tuchs mit einem milden Reinigungsmittel.
- Benutzen Sie keine starken Reiniger am Kunststoffgehäuse oder am Griff. Die Teile können von bestimmten ätherischen Ölen, wie z. B. Kiefern- oder Zitronenöl, und von Lösungsmitteln wie Petroleum angegriffen werden. Feuchtigkeit stellt zudem eine Stromschlaggefahr dar. Wischen Sie feuchte Stellen mit einem weichen trockenen Tuch ab.

SCHMIERUNG DES GETRIEBES

Das Getriebe im Getriebegehäuse muss regelmäßig mit Getriebefett geschmiert werden. Entfernen Sie etwa alle 50 Betriebsstunden die Dichtungsschraube auf der Gehäusesseite und überprüfen Sie den Schmiermittelstand

im Getriebegehäuse.

Ist auf den Seiten des Getriebes kein Fett zu sehen, füllen Sie das Getriebe gemäß untenstehenden Schritten zu 3/4 mit Getriebefett.

Getriebe nicht vollständig befüllen.

1. Halten Sie den Rasentrimmer seitlich, so dass die Dichtungsschraube nach oben zeigt.
2. Lockern Sie die Dichtungsschraube mit dem im Lieferumfang enthaltenen Multifunktionsschlüssel und nehmen Sie sie ab.
3. Befüllen Sie das Gehäuse durch das Schraubenloch mit einer Fettspritze (nicht enthalten) bis zu höchstens 3/4 mit Getriebefett.
4. Ziehen Sie die Dichtungsschraube nach dem Fetteinspritzen wieder fest.

AUFBEWAHREN DES GERÄTES

- Nehmen Sie den Akkusatz vom Rasentrimmer ab.
- Reinigen Sie das Werkzeug gründlich, bevor Sie es verstauen.
- Falls das Rasentrimmer-Anbauwerkzeug vom Kombimotor abgenommen und getrennt gelagert wird, setzen Sie die Schutzkappe auf den Schaft des Anbauwerkzeugs, damit kein Schmutz in die Kupplung gelangt.
- Lagern Sie das Gerät an einem trockenen, gut belüfteten Ort, der sich abschließen lässt oder hoch gelegen und für Kinder unerreikbaar ist. Lagern Sie das Gerät nicht auf oder neben Düngemitteln, Benzin oder anderen Chemikalien.

Schützen Sie die Umwelt



Entsorgen Sie elektronische Geräte, Ladegeräte und Batterien/Akkus nicht im Hausmüll!

Gemäß der europäischen Rechtsnorm 2012/19/EG müssen elektrische und elektronische Geräte, die nicht mehr benutzt werden, separat gesammelt werden. Dasselbe trifft gemäß der europäischen Rechtsnorm 2006/66/EG auch auf defekte oder verbrauchte Batterien/Akkus zu.

Wenn elektrische Geräte auf Deponien oder Schutthalden entsorgt werden, dann können gefährliche Substanzen ins Grundwasser sickern und in die Nahrungskette übergehen, was Ihre Gesundheit und Ihr Wohlbefinden beeinträchtigen kann.

FEHLERBEHEBUNG

DE

PROBLEM	URSACHE	LÖSUNG
Rasentrimmer lässt sich nicht starten.	<ul style="list-style-type: none"> ■ Der Akku ist nicht am Kombimotor angebracht. ■ Kein elektrischer Kontakt zwischen Kombimotor und Akku. ■ Der Akku ist leer. ■ Der Hebel zum Entriegeln und der Auslöser werden nicht gleichzeitig gedrückt. 	<ul style="list-style-type: none"> ■ Akku in den Kombimotor einsetzen. ■ Akku abnehmen, Kontakte überprüfen und wieder einsetzen, bis er einrastet. ■ Akku mit den in dieser Anleitung aufgeführten EGO-Ladegeräten aufladen. ■ Halten Sie den Hebel zum Entriegeln gedrückt und drücken Sie dann den Auslöser, um den Fadenmäher einzuschalten.
Fadenmäher stoppt während des Mähens.	<ul style="list-style-type: none"> ■ Die Schutzabdeckung ist nicht am Fadenmäher montiert, was einen zu langen Faden und Motorüberlastung zu Folge hat. ■ Es wird ein schwerer Mähfaden verwendet. ■ Die Motorwelle oder der Mähkopf wird durch Gras blockiert. ■ Der Motor ist überlastet. ■ Der Akkusatz oder der Fadenmäher ist zu heiß. ■ Der Akkusatz ist nicht mit dem Werkzeug verbunden. ■ Der Akkusatz ist leer. 	<ul style="list-style-type: none"> ■ Entfernen Sie die Akkusatz und befestigen Sie die Schutzabdeckung am Fadenmäher. ■ Verwenden Sie den empfohlenen Nylonmähfaden mit höchstens 2,4 mm Durchmesser. ■ Halten Sie den Fadenmäher an, entfernen Sie den Akku und entfernen Sie das Gras von der Motorwelle und Mähkopf. ■ Nehmen Sie den Mähkopf vom Rasen. Der Motor ist wieder einsatzbereit, sobald die Last entfernt wurde. Bewegen Sie beim Schneiden den Mähkopf in und aus dem Gras heraus und entfernen Sie nicht mehr als 20 cm Länge mit einem einzelnen Schnitt. ■ Lassen Sie den Akkusatz abkühlen, bis die Temperatur unter 67° C fällt. ■ Setzen Sie den Akkusatz wieder ein. ■ Akku mit den in dieser Anleitung aufgeführten EGO-Ladegeräten aufladen.

PROBLEM	URSACHE	LÖSUNG
Mähkopf verlängert den Faden nicht.	<ul style="list-style-type: none"> ■ Die Motorwelle oder der Mähkopf wird durch Gras blockiert. ■ Es ist nicht mehr genügend Faden in der Spule. ■ Der Mähkopf ist verschmutzt. ■ Faden hat sich in der Spulenhalterung verheddert. ■ Der Faden ist zu kurz. 	<ul style="list-style-type: none"> ■ Halten Sie den Fadenmäher an, entfernen Sie den Akku und entfernen Sie das Gras von der Motorwelle und Mähkopf. ■ Ersetzen Sie sofort den Trimmerkopf. Folgen Sie dem Abschnitt „AUSWECHSELN DES TRIMMERKOPFES“ in dieser Bedienungsanleitung. ■ Entfernen Sie den Akku und reinigen Sie die Spule, die Spulenhalterung und die Spulenbasis. ■ Entfernen Sie den Akku, nehmen Sie den Faden aus der Spule und wickeln Sie ihn wieder auf; folgen Sie hierzu dem Abschnitt „AUSWECHSELN DES FADENS“ in dieser Bedienungsanleitung. ■ Entfernen Sie den Akku und ziehen Sie die Fäden, während Sie abwechselnd den Auftippknopf drücken und loslassen.
Gras wickelt sich um den Mähkopf und das Motorgehäuse.	<ul style="list-style-type: none"> ■ Hohes Gras wird auf Bodenebene geschnitten. 	<ul style="list-style-type: none"> ■ Mähen Sie hohes Gras, indem Sie von oben nach unten mähen. Schneiden Sie dabei nicht mehr als 20 cm bei jedem Durchgang, um zu vermeiden, dass sich das Gras um das Gerät wickeln kann.
Klinge schneidet den Faden nicht.	<ul style="list-style-type: none"> ■ Das Messer zum Abschneiden des Fadens am Rand der Schutzabdeckung ist stumpf geworden. 	<ul style="list-style-type: none"> ■ Schärfen Sie das Messer mit einer Feile oder wechseln Sie es durch eine neue Klinge aus.
Risse auf dem Mähkopf oder Spulenhalterung lockert sich von der Spulenbasis.	<ul style="list-style-type: none"> ■ Der Mähkopf ist abgenutzt. 	<ul style="list-style-type: none"> ■ Entfernen Sie den Akku, nehmen Sie den Faden aus der Spule und wickeln Sie ihn wieder auf; folgen Sie hierzu dem Abschnitt „AUSWECHSELN DES FADENS“ in dieser Bedienungsanleitung.
Beim Fadenwechsel kann der Faden nicht richtig in den Mähkopf eingezo- gen werden.	<ul style="list-style-type: none"> ■ Die Striche „LOAD“ der Spulenhalterung stimmen nicht mit den Ösen in der Spulenbasis überein. ■ Der Faden ist nicht richtig in die Montageöffnung in der Öse eingesetzt. 	<ul style="list-style-type: none"> ■ Drehen Sie die Spulenhalterung in Pfeilrichtung, bis die Striche „LOAD“ auf der Spulenhalterung mit den Ösen in der Spulenbasis übereinstimmen. ■ Richten Sie zuerst die Striche „LOAD“ auf die Ösen aus und führen Sie dann den Faden in die Montageöffnung in der Öse ein.

GARANTIE

EGO GEWÄHRLEISTUNGSRICHTLINIE

Bitte besuchen Sie unsere website egopowerplus.com mit den kompletten EGO Garantiebedingungen.

LISEZ TOUTES LES INSTRUCTIONS!

FR



LISEZ LE MANUEL D'UTILISATION

⚠ Risques résiduels ! Les personnes portant des appareils électroniques, par exemple des stimulateurs cardiaques, doivent consulter leur(s) médecin(s) avant d'utiliser ce produit. L'utilisation d'un équipement électrique près d'un stimulateur cardiaque peut provoquer des interférences ou la panne du stimulateur cardiaque.

⚠ AVERTISSEMENT : Pour garantir la sécurité et la fiabilité, toutes les réparations et tous les changements de pièce doivent être effectués par un réparateur qualifié.

SYMBOLES DE SÉCURITÉ

L'objectif des symboles de sécurité est d'attirer votre attention sur des dangers potentiels. Les symboles de sécurité et les explications les accompagnant doivent être lus avec attention et compris. Les symboles de mise en garde ne permettent pas par eux-mêmes d'éliminer les dangers. Les consignes et mises en garde ne se substituent pas à des mesures de prévention appropriées des accidents.

⚠ AVERTISSEMENT : Lisez et comprenez impérativement toutes les instructions de sécurité de ce manuel d'utilisation, y compris les symboles de mise en garde de sécurité tels que « **DANGER** », « **AVERTISSEMENT** » et « **ATTENTION** » avant d'utiliser cet outil. Ne pas respecter toutes les instructions listées dans ce manuel d'utilisation peut provoquer un choc électrique, un incendie et/ou des blessures corporelles graves.

SIGNIFICATION DES SYMBOLES

⚠ SYMBOLE DE MISE EN GARDE DE SÉCURITÉ : DANGER, AVERTISSEMENT, ou ATTENTION peut être utilisé en conjonction d'autres symboles ou pictogrammes.



⚠ AVERTISSEMENT : L'utilisation d'un outil électrique peut provoquer la projection d'objets étrangers dans vos yeux et des lésions oculaires graves. Avant de commencer à utiliser l'outil électrique, portez toujours un masque de sécurité ou des lunettes de sécurité avec boucliers latéraux, et un masque facial intégral quand cela est nécessaire. Nous vous recommandons de porter un Masque de Sécurité à Vision Panoramique par-dessus des lunettes de vue ou des lunettes de sécurité standards avec boucliers latéraux.

CONSIGNES DE SÉCURITÉ

Cette page décrit des symboles de sécurité pouvant être présents sur ce produit. Lisez, comprenez et respectez toutes les instructions présentes sur l'outil avant d'essayer de l'assembler et de l'utiliser.

	Alerte de sécurité	Indique un risque potentiel de blessure corporelle.
	Lisez le manuel d'utilisation	Pour réduire le risque de blessures, l'utilisateur doit lire et comprendre le manuel d'utilisation avant d'utiliser ce produit.
	Porter une protection oculaire	Toujours porter un masque de sécurité ou des lunettes de sécurité avec boucliers latéraux et un masque facial intégral lors de l'utilisation de ce produit.
	Porter une protection auditive	Toujours porter des barrières auditives (bouchons d'oreille ou casque anti-bruit) pour protéger vos capacités auditives.
	Porter une Protection de la Tête	Porter un casque de sécurité homologué pour protéger votre tête.
	Porter des Gants Protecteurs	Protéger vos mains avec des gants lors de la manipulation de la lame ou du protège-lame. Les gants antidérapants pour travaux lourds améliorent votre préhension et protègent vos mains.
	Porter des Chaussures de Sécurité	Porter des chaussures de sécurité antidérapantes pendant l'utilisation de cet équipement.
	Largeur de coupe	Largeur de coupe maximale du taille-bordure
	Diamètre du fil	Le diamètre du fil de coupe en nylon.
	Pas de lame ronde.	Ne pas installer de lame de coupe ronde.

	Maintenir les autres personnes éloignées	Veiller à ce que les autres personnes et les animaux restent éloignés d'au moins 15 m du taille-bordure pendant son utilisation.
	Maintenir les autres personnes éloignées	Veiller à ce que les autres personnes et les animaux restent éloignés d'au moins 15 m du taille-bordure pendant son utilisation.
	Ne pas exposer à la pluie	Ne pas utiliser sous la pluie et ne pas laisser dehors quand il pleut.
	CE	Ce produit est conforme aux directives CE applicables.
	WEEE	Les produits électriques usagés ne doivent pas être jetés avec les ordures ménagères. Apportez-les dans un centre de recyclage agréé.
	Bruit	Niveau de puissance acoustique garanti. Émission de bruit dans l'environnement conformément à la directive CE.
V	Volt	Tension
mm	Millimètre	Longueur ou taille
cm	Centimètre	Longueur ou taille
kg	Kilogramme	Poids

CONSIGNES DE SÉCURITÉ GÉNÉRALES POUR L'OUTIL ÉLECTRIQUE

⚠ AVERTISSEMENT: Lisez toutes les consignes de sécurité, les instructions, les illustrations et les spécifications de sécurité fournies avec cet outil électrique. Ne pas respecter toutes les consignes indiquées ci-dessous peut provoquer une décharge électrique, un incendie et/ou des blessures graves. **Conservez toutes les consignes de sécurité et toutes les instructions pour consultation ultérieure.**

Le terme « outil électrique » utilisé dans les consignes de sécurité désigne votre outil électrique fonctionnant sur le secteur (filaire) ou sur batterie (sans fil).

SÉCURITÉ DE L'AIRE DE TRAVAIL

- Maintenez l'espace de travail propre et bien éclairé. Une zone de travail en désordre ou mal éclairée augmente les risques d'accident.
- N'utilisez pas un outil électrique dans une atmosphère explosive, par exemple en présence de liquides, de gaz ou de poussières inflammables. Les outils électriques génèrent des étincelles pouvant enflammer les poussières ou les vapeurs.
- Veillez à ce que les enfants et les autres personnes restent à distance quand vous faites fonctionner un outil électrique. Un moment d'inattention peut vous faire perdre le contrôle de l'outil.

SÉCURITÉ DES PERSONNES

- **Restez vigilant(e), soyez attentif(ve) à ce que vous faites et faites preuve de bon sens lors de l'utilisation d'un outil électrique. N'utilisez pas un outil électrique si vous êtes fatigué(e), sous l'emprise de l'alcool ou de drogues ou après avoir pris des médicaments.** Un moment d'inattention lors de l'utilisation d'un outil électrique peut provoquer des blessures graves.
- **Utilisez des équipements de protection individuelle. Portez toujours une protection oculaire.** Des équipements de protection appropriés, tels qu'un masque anti-poussière, des chaussures de sécurité antidérapantes, un casque et un dispositif de protection auditive, réduisent les risques de blessures.
- **Évitez les démarrages accidentels. Assurez-vous que l'interrupteur est sur la position arrêt avant de brancher l'outil sur une prise électrique et/ou sur une batterie, de le saisir ou de le transporter.** Transporter un outil électrique avec un doigt sur l'interrupteur ou le brancher sur une alimentation électrique alors que son interrupteur est en position de marche favorise les accidents.
- **Retirez les clés de réglage et de serrage avant de mettre l'outil en marche.** Une clé de réglage ou de serrage restée sur une pièce en rotation d'un outil électrique peut provoquer des blessures.
- **N'essayez pas d'atteindre des endroits difficiles d'accès. Restez d'aplomb et gardez l'équilibre en permanence.** Ceci permet de mieux contrôler l'outil électrique dans des situations inattendues.
- **Portez une tenue adaptée. Ne portez pas de vêtement ample ni de bijou. Veillez à ce que vos cheveux, vêtements et gants restent éloignés des pièces mobiles.** Les vêtements amples, les bijoux et les cheveux longs peuvent se prendre dans les pièces mobiles.

- **Si un appareil est conçu pour être utilisé avec des dispositifs d'extraction et de récupération des poussières, veillez à ce que ces dispositifs soient bien raccordés et correctement utilisés.** L'utilisation de dispositifs de récupération des poussières permet de réduire les dangers liés aux poussières.
- **Veillez à ne pas devenir trop sûr(e) de vous et à ne pas vous mettre à ne plus respecter les principes de sécurité à cause de la familiarité acquise par les utilisations fréquentes des outils.** La négligence peut provoquer des blessures graves en une fraction de seconde.

UTILISATION ET ENTRETIEN DE L'OUTIL ÉLECTRIQUE

- **Ne forcez pas un outil électrique. Utilisez l'outil électrique adapté au travail à effectuer.** Un outil électrique adapté permet d'effectuer ce travail plus efficacement, avec une sécurité accrue, et au rythme pour lequel l'outil a été conçu.
- **N'utilisez pas un outil électrique si son interrupteur marche/arrêt ne permet plus de l'allumer ou de l'éteindre.** Tout outil électrique qui ne peut pas être contrôlé par son interrupteur marche/arrêt est dangereux et doit être réparé.
- **Rangez les outils électriques hors de portée des enfants. Ne laissez pas les personnes non familiarisées avec l'outil électrique ou avec ce manuel d'utilisation l'utiliser.** Les outils électriques sont dangereux dans les mains de personnes inexpérimentées.
- **Entretenez les outils électriques et les accessoires. Inspectez-les pour vérifier qu'aucune pièce mobile n'est grippée ou mal alignée, qu'aucune pièce n'est cassée, et pour tout autre problème pouvant affecter leur fonctionnement.** Si un outil électrique est endommagé, il doit être réparé avant d'être réutilisé. De nombreux accidents sont dus à des outils électriques mal entretenus.
- **Maintenez les accessoires de coupe affûtés et propres.** Des accessoires de coupes bien entretenus et bien affûtés risquent moins de se coincer et facilitent le contrôle de l'outil.
- **Utilisez l'outil électrique, ses accessoires, ses mâches et embouts et toutes les autres pièces en respectant ces instructions et en tenant compte des conditions d'utilisation et du travail à effectuer.** Utiliser l'outil électrique à d'autres fins que celles pour lesquelles il a été conçu peut provoquer des situations dangereuses.
- **Maintenez les poignées et surfaces de préhension propres, sèches et exemptes d'huile et de graisse.** Les poignées et surfaces de préhension glissantes ne permettent pas de tenir et de contrôler l'outil de manière sûre en cas de situations inattendues.

- **Maintenez les câbles/cordons électriques éloignés de la zone de travail de l'outil.** Pendant l'utilisation, les câbles/cordons électriques peuvent être cachés de votre vue et être accidentellement endommagés par l'outil.

UTILISATION ET ENTRETIEN DES OUTILS ALIMENTÉS PAR BATTERIE

- **La batterie ne doit être rechargée qu'avec le chargeur spécifié par le fabricant.** Un chargeur adapté à un seul type de batterie peut présenter un risque d'incendie s'il est utilisé avec une batterie différente.
- **Utilisez les outils électriques uniquement avec les batteries spécifiquement indiquées.** L'utilisation de toute autre batterie peut créer un risque de blessures et d'incendie.
- **Lorsque la batterie n'est pas utilisée, elle doit être rangée loin de tout objet métallique, tel que trombone, pièce de monnaie, clef, clou, vis et tout autre petit objet métallique qui risquerait de mettre en contact ses bornes.** Court-circuiter les bornes de la batterie peut provoquer des brûlures et un incendie.
- **Si la batterie est soumise à des conditions d'utilisation excessives, du liquide peut s'en échapper. Évitez tout contact avec ce liquide. En cas de contact accidentel, rincez à grande eau. En cas de contact avec les yeux, vous devez en outre consulter un médecin.** Le liquide qui s'échappe des batteries peut provoquer des irritations et des brûlures.
- **N'utilisez pas une batterie ou un outil endommagé ou modifié.** Les batteries modifiées ou endommagées peuvent avoir un comportement imprévisible pouvant provoquer un incendie, une explosion ou un risque de blessure.
- **N'exposez pas la batterie ou l'outil à des flammes ou à une température excessive.** L'exposition au feu ou à des températures supérieures à 100°C peut provoquer une explosion.
- **Respectez toutes les instructions de charge et ne rechargez pas la batterie ou l'outil quand la température ambiante est en dehors de la plage spécifiée dans les instructions.** Une recharge incorrecte ou recharger une batterie sous des températures hors de la plage spécifiée peut endommager la batterie et accroître le risque d'incendie.

SERVICE

- **Faites réparer votre outil électrique par un**

réparateur qualifié n'utilisant que des pièces de rechange identiques. Cela garantit que l'outil électrique reste sûr.

- **Ne faites jamais réparer une batterie endommagée.** La réparation des batteries doit toujours être effectuée par le fabricant ou des réparateurs agréés.

⚠ AVERTISSEMENT: Lisez toutes les consignes de sécurité, les instructions, les illustrations et les spécifications de sécurité fournies avec cet outil électrique. Le non-respect de l'ensemble des consignes listées ci-après est susceptible d'entraîner un risque de choc électrique, d'incendie et/ou de blessures graves. Conservez toutes les mises en garde et instructions pour consultation ultérieure.

Conservez toutes les mises en garde et instructions pour consultation ultérieure.

APPRENTISSAGE

- Lisez attentivement le manuel d'utilisation. Familiarisez-vous avec les commandes et l'utilisation correcte de l'outil.
- Ne laissez jamais des enfants ou des personnes non familiarisées avec les présentes instructions utiliser l'outil. Les réglementations locales peuvent restreindre l'âge de l'opérateur.
- Nous vous rappelons que l'opérateur ou l'utilisateur est responsable en cas d'accidents ou de dangers impliquant d'autres personnes ou leurs biens.

PRÉPARATION

- N'utilisez jamais l'outil si des personnes, notamment des enfants, ou des animaux de compagnies sont à proximité.
- Portez en permanence des protections oculaires et des chaussures robustes pendant l'utilisation de l'outil.
- La distance entre la machine et les passants doit être d'au moins 15 m.
- N'utilisez jamais la machine lorsque l'opérateur est fatigué, malade ou sous l'influence de l'alcool ou d'autres drogues.

FONCTIONNEMENT

- Utilisez l'outil exclusivement à la lumière du jour ou sous une lumière artificielle suffisante.
- N'utilisez jamais la machine si ses boucliers/dispositifs de protection ne sont pas assemblés ou sont endommagés.
- Mettez le moteur en marche uniquement quand vos mains et pieds sont éloignés des accessoires de coupe.
- Débranchez toujours la machine de l'alimentation électrique (c-à-d retirez la batterie).
 - Chaque fois que vous laissez l'outil sans surveillance.

- Avant d'éliminer un bourrage.
- Avant d'inspecter, de nettoyer ou de travailler sur l'outil.
- Après avoir percuté un objet étranger.
- Si l'outil se met à vibrer anormalement.
- Prenez garde à ce que vos pieds et vos mains ne soient pas blessés par les pièces de coupe.
- Veillez à ce que les ouïes de ventilation ne soient jamais bouchées par des débris.

ENTRETIEN ET RANGEMENT

- Débranchez la machine de l'alimentation (c-à-d retirez la batterie) avant d'effectuer des travaux de maintenance ou d'entretien.
- Utilisez exclusivement les pièces et accessoires de rechange recommandés par le fabricant.
- Inspectez et entretenez l'outil régulièrement. Faites réparer l'outil exclusivement par un réparateur agréé.
- Rangez l'outil hors de portée des enfants quand vous ne l'utilisez pas.

CONSIGNES DE SECURITE COMPLEMENTAIRES

- **Évitez les environnements dangereux** – N'utilisez pas les taille-bordures sur des pentes mouillées et détrempées.
- **Les dispositifs de protection doivent toujours être assemblés et en bon état de marche.**
- **Maintenez vos mains et vos pieds éloignés de la zone de coupe.**
- **Pour réduire le risque de blessures, ne travaillez jamais sur une échelle ou un autre support non sûr. Ne positionnez jamais l'unité de coupe plus haut que votre taille.**
- **Inspectez l'unité de coupe à intervalles courts et réguliers pendant l'utilisation ou immédiatement si vous constatez un changement notable dans son comportement de coupe.**
- **Pour des résultats optimaux, votre batterie doit être rechargée dans un endroit où la température est supérieure à 5°C et inférieure à 40°C.** Ne la stockez pas à l'extérieur ou dans un véhicule.
- **Si une personne s'approche de vous, éteignez immédiatement le moteur et l'unité de coupe.**
- **Avertissez l'opérateur des dangers du rebond de lame (uniquement avec la lame à 3 dents).**
 - Un rebond de lame peut se produire si la lame en rotation entre en contact avec un objet qu'elle ne coupe pas immédiatement.

- Le rebond de lame peut être suffisamment violent pour projeter l'outil et/ou l'opérateur dans n'importe quelle direction et provoquer la perte de contrôle de l'outil.
- Le rebond de lame peut se produire sans avertissement si la lame se coince, se bloque ou s'accroche.
- Un rebond de lame a une plus forte probabilité de se produire dans les endroits où il est difficile de voir le matériau à couper.
- **N'assemblez jamais une lame sur un outil sans correctement installer toutes les pièces requises. Ne pas utiliser les pièces appropriées peut provoquer la désolidarisation et la projection de la lame, et des blessures graves chez l'opérateur et/ou d'autres personnes. Jetez les lames tordues, voilées, fissurées, cassées ou présentant la moindre détérioration. Utilisez une lame affûtée. Une lame émoussée a une plus forte probabilité de se coincer et de provoquer un rebond (uniquement pour la lame à 3 dents).**
- **Un fil/lame en roue libre peut provoquer des blessures pendant qu'il reste en rotation après que vous ayez relâché l'interrupteur-gâchette ou après l'arrêt du moteur. Maintenez un contrôle approprié jusqu'à ce que le fil/lame se soit complètement arrêté de tourner.**
- **Les outils alimentés par batterie n'ont pas à être branchés dans une prise électrique, ils sont donc toujours prêts à fonctionner.** Prenez garde aux dangers potentiels même quand l'outil n'est pas en fonctionnement. Faites attention pendant l'entretien ou la réparation.
- **Ne lavez pas l'outil avec un tuyau. Évitez que de l'eau ne pénètre dans le moteur et sur les connexions électriques.**
- **Si des situations non couvertes par ce manuel se produisent, faites preuve de prudence et de bon sens. Contactez le centre de réparation EGO pour lui demander conseil.**
- **Utilisez exclusivement les batteries et les chargeurs listes a la fig. A.**

CONSERVEZ CE MANUEL D'UTILISATION!

SPÉCIFICATIONS

Mécanisme de coupe	Tête de frappe
Diamètre du fil	Fil torsadé en nylon 2,4 mm

Largeur de coupe	38 cm	
Régime à vide	5000/6000 min ⁻¹	
Poids (sans la batterie)	1,59 kg	
Température d'utilisation recommandée	0°C-40°C	
Température de stockage recommandée	-20°C-70°C	
Niveau de puissance acoustique mesuré L _{WA}	94,6 dB(A) K=1,80 dB(A)	
Niveau de pression acoustique au niveau des oreilles de l'opérateur L _{PA}	83,2 dB(A) K=3 dB(A)	
Niveau de puissance acoustique garanti L _{WA} (conformément à la norme 2000/14/CE)	96 dB(A)	
Vibration a _h	Poignée auxiliaire avant	1,1 m/s ² K=1,5 m/s ²
	Poignée arrière	1,4 m/s ² K=1,5 m/s ²

- Les paramètres ci-dessus ont été testés et mesurés avec le bloc moteur PH1400E.
- La valeur totale des vibrations indiquée a été mesurée selon une procédure conforme à une méthode de test standardisée et peut servir pour comparer différents outils.
- La valeur totale des vibrations indiquée peut également servir pour effectuer une première évaluation de l'exposition.

REMARQUE: L'émission de vibrations pendant l'utilisation réelle de l'outil électrique est fonction de la manière dont il est utilisé et peut différer de la valeur indiquée. Pour se protéger, l'opérateur doit porter des gants et un casque antibruit dans les conditions actuelles d'utilisation.

CONTENU DE L'EMBALLAGE

NOM DE PIÈCE	QUANTITÉ
Extension Taille-bordure	1
Capot de protection	1
Clé 6 pans	1
Clé multifonction	1
Manuel d'utilisation	1

Pour connaître le fil de coupe recommandé, consultez le site Web.egopowerplus.com ou le catalogue des produits EGO.

DESCRIPTION

DESCRIPTION DE VOTRE TAILLE-BORDURE

(Image A)

1. Capuchon d'extrémité
2. Manche du taille-bordure
3. Fil de coupe
4. Tête de coupe (à frappe au sol)
5. Languettes de déblocage
6. Lame de coupe du fil
7. Capot de protection
8. Clé six pans
9. Clé multifonction

⚠ AVERTISSEMENT: N'utilisez jamais l'outil sans son capot de protection solidement assemblé. Le capot de protection doit toujours être assemblé sur l'outil pour protéger l'utilisateur.

ASSEMBLAGE

⚠ AVERTISSEMENT: Si une pièce est manquante ou endommagée, n'utilisez pas cet outil tant qu'elle n'a pas été remplacée. Utiliser cet outil avec des pièces endommagées ou manquantes peut provoquer des blessures corporelles graves.

⚠ AVERTISSEMENT: N'essayez jamais de modifier l'outil ni de créer des accessoires non recommandés pour être utilisés avec ce taille-bordure. De tels modifications et changements constituent une utilisation impropre et peuvent engendrer des situations dangereuses

⚠ AVERTISSEMENT: Ne branchez pas le bloc moteur dans une alimentation électrique tant que l'assemblage n'est pas terminé. Ne pas respecter cette exigence peut provoquer un démarrage accidentel et des blessures corporelles graves.

ASSEMBLER LE CAPOT DE PROTECTION

⚠ AVERTISSEMENT: Portez toujours des gants pour assembler ou remplacer le capot de protection. Prenez garde à la lame du capot de protection et protégez vos mains des blessures dues à la lame.

Desserrez et retirez les deux vis de la base du manche (Image C), alignez les trous du capot de protection avec les trous d'assemblage, puis fixez-le sur la base du manche avec les deux vis et deux rondelles élastiques (Image D).

Vérifiez que le capot de protection est fixé comme montré sur les images C et D, un montage inversé est très dangereux!

ASSEMBLER L'EXTENSION TAILLE-BORDURE SUR LE BLOC MOTEUR

Cette extension taille-bordure est conçue pour être utilisée avec le Bloc Moteur EGO PH1400E.

Consultez le chapitre « **ASSEMBLER UNE EXTENSION SUR LE BLOC MOTEUR** » du manuel d'utilisation du bloc moteur PH1400E.

UTILISATION

⚠ AVERTISSEMENT: Veillez à ne pas devenir moins prudent au fur et à mesure que vous vous familiarisez avec cet outil. Gardez à l'esprit qu'une seconde d'inattention peut suffire pour provoquer des blessures graves.

⚠ AVERTISSEMENT: Portez toujours une protection oculaire et une protection auditive. Sans protection, des objets peuvent être projetés dans vos yeux et d'autres blessures graves peuvent se produire.

APPLICATIONS

Vous pouvez utiliser ce produit à la finalité suivante :

- Couper le gazon et les mauvaises herbes autour des porches, barrières et terrasses.

REMARQUE: L'outil ne doit être utilisé qu'à la finalité prescrite. Tout autre usage est considéré impropre.

Avant chaque utilisation, inspectez l'outil pour vérifier qu'aucune de ses pièces n'est endommagée/usée.

Inspectez la tête de coupe, le capot de protection et la poignée auxiliaire avant, et remplacez toutes les pièces fissurées, voilées, tordues ou présentant une autre détérioration.

La lame de coupe du fil présente sur le bord du capot de protection s'use avec le temps. Il est recommandé de l'affûter régulièrement avec une lime ou de la remplacer par une lame neuve.

⚠ AVERTISSEMENT: Portez toujours des gants quand vous assemblez ou remplacez le capot de protection ou quand vous affûtez ou remplacez la lame. Notez le positionnement de la lame sur le capot de protection et protégez vos mains des blessures.

⚠ AVERTISSEMENT: Pour éviter des blessures corporelles graves, retirez la batterie du bloc moteur avant toute opération de réparation, nettoyage, changement d'accessoires ou de retrait de matières de l'outil.

UTILISER LE TAILLE-BORDURE AVEC LE BLOC MOTEUR

⚠ AVERTISSEMENT : Soyez correctement vêtu pour réduire le risque de blessures pendant l'utilisation de cet outil. Ne portez pas de vêtement ample ni de bijou ! Portez des protections oculaires et auditives. Portez un pantalon long et épais, des chaussures montantes et des gants. Ne portez pas de shorts ni de sandales et ne soyez pas pieds nus.

⚠ AVERTISSEMENT: Nettoyez la zone à couper avant chaque utilisation. Retirez tous les objets pouvant s'emmêler dans les accessoires de coupe ou être projetés, par exemple les pierres, les morceaux de verre, les clous, les fils métalliques ou les ficelles. Veillez à ce qu'il n'y ait aucune autre personne, aucun enfant, ni aucun animal dans l'aire de travail. Au minimum, veillez à ce que tous les enfants, toutes les autres personnes et tous les animaux restent éloignés d'au moins 15 m, car ils pourraient être blessés par des objets projetés. Il faut insister pour que les autres personnes présentes portent une protection oculaire. Si une personne s'approche de vous, éteignez immédiatement le moteur et l'accessoire de coupe.

Pour un usage sûr et plus efficace, placez la sangle d'épaule en travers de vos épaules. Réglez la sangle d'épaule dans une position d'utilisation confortable. Tenez toujours le taille-bordure avec une main sur la poignée arrière et votre autre main sur la poignée auxiliaire avant. Tenez fermement l'outil à deux mains pendant l'utilisation. Le taille-bordure doit être tenu dans une position confortable avec sa poignée arrière à la hauteur de la hanche de l'opérateur. La tête de coupe doit être parallèle au sol pour qu'elle puisse facilement entrer en contact avec le matériau à couper sans que l'opérateur ne soit obligé de se pencher (Image B).

⚠ AVERTISSEMENT: La sangle d'épaule est aussi un mécanisme de retrait rapide en cas de situation dangereuse. En cas d'urgence, retirez-la immédiatement de votre épaule, quelle que soit la manière dont elle est portée.

Après chaque utilisation, nettoyez l'outil.

Consultez le chapitre ENTRETIEN pour connaître les instructions de nettoyage.

ALLUMER/ÉTEINDRE L'OUTIL

Consultez le chapitre « ALLUMER/ÉTEINDRE LE BLOC MOTEUR » du manuel d'utilisation du bloc moteur PH1400E.

RÉGLER LA LONGUEUR DU FIL DE COUPE

La tête de coupe permet à l'opérateur d'allonger le fil de coupe sans éteindre le moteur. Quand le fil de coupe est usé ou effiloché, vous pouvez l'allonger en frappant légèrement la tête de coupe sur le sol pendant que l'outil est en marche (Image E).

REMARQUE: L'allongement du fil de coupe devient plus difficile au fur et à mesure qu'il se raccourcit.

⚠ AVERTISSEMENT: Ne retirez pas et ne modifiez pas l'assemblage de la lame de coupe du fil. Si la longueur du fil de coupe est excessive, cela peut provoquer la surchauffe du moteur et des blessures corporelles graves.

CHANGER LE FIL DE COUPE

REMARQUE : Utilisez toujours le fil de coupe en nylon recommandé d'un diamètre ne dépassant pas 2,4 mm. Utiliser un fil de coupe différent que celui spécifié peut provoquer la surchauffe ou la détérioration du taille-bordure.

⚠ AVERTISSEMENT: N'utilisez jamais de corde, de fil métallique, de fil à renfort métallique, etc., car ils peuvent se casser et devenir des projectiles dangereux.

1. Retirez la batterie.
2. Retirez le fil de coupe restant, si nécessaire. Tirez-le simplement à la main pour le sortir.
3. Coupez 4 m de fil de coupe, Insérez le fil dans les trous d'assemblage des œillets (Image F). Poussez le fil et tirez-le de l'autre côté jusqu'à ce qu'il y ait une longueur de fil identique de chaque côté de la bobine.
4. Appuyez, tout en tournant le boîtier de bobine dans le sens de la flèche, pour enrouler le fil sur la bobine jusqu'à ce que 14 cm environ de fil dépassent de chaque côté (Image G).
5. Appuyez sur le boîtier de bobine tout en tirant les extrémités du fil pour les faire sortir manuellement et contrôler le bon assemblage de la tête de coupe.

Si le fil de coupe se casse avant le trou de sortie du fil ou s'il n'avance plus quand vous frappez la tête de coupe, procédez comme suit:

1. Retirez la batterie.
2. Appuyez sur les languettes du boîtier de bobine et sortez le boîtier de bobine en le tirant en ligne droite vers l'extérieur (Image H & I).
3. Retirez le fil de coupe du boîtier de bobine.
4. En tenant la base de bobine d'une main, saisissez le boîtier de bobine de l'autre main et alignez ses languettes avec les trous de la base de bobine (Image J). Avec la paume de votre main, appuyez sur le boîtier de bobine et tournez-le à gauche et à droite jusqu'à ce que les languettes se verrouillent dans la base de bobine (Image K).

5. Pour recharger le fil de coupe, effectuez la procédure « CHANGER LE FIL DE COUPE ».

Pour utiliser l'outil comme débroussailluse, effectuez les étapes montrées sur les images L et M pour démonter la tête de coupe.

ENTRETIEN

⚠ AVERTISSEMENT: Avant d'inspecter, de nettoyer ou de réparer l'outil, éteignez le moteur, attendez que toutes les pièces mobiles se soient arrêtées et retirez la batterie. Ne pas respecter ces instructions peut provoquer des blessures corporelles graves et des dommages matériels.

⚠ AVERTISSEMENT: L'outil ne doit être réparé qu'avec des pièces de rechange identique. L'utilisation de toute autre pièce peut créer un danger ou détériorer l'outil. Pour garantir la sécurité et la fiabilité, toutes les réparations, autres que les opérations listées dans ces instructions d'entretien, doivent être effectuées par un réparateur qualifié.

ENTRETIEN GÉNÉRAL

N'utilisez pas de solvant pour nettoyer les pièces en plastique. La plupart des plastiques peuvent être détériorés par de nombreux solvants différents vendus dans le commerce. Utilisez des chiffons propres pour enlever les saletés, les poussières, l'huile, les graisses, etc.

NETTOYER L'OUTIL

- Enlevez les herbes ayant pu s'enrouler autour de l'arbre du moteur ou de la tête de coupe.
- Avec une petite brosse ou un petit aspirateur, nettoyez les ouïes de ventilation du boîtier arrière.
- Nettoyez l'outil avec un chiffon humide et un détergent doux.
- N'utilisez pas de détergent puissant sur le boîtier en plastique ou sur la poignée, car ils peuvent être endommagés par certaines huiles aromatiques, par exemple de pin et de citron, et par les solvants, par exemple l'essence. L'humidité peut également générer un risque de choc électrique. Essuyez les traces d'humidité avec un chiffon doux et sec.

LUBRIFICATION DES ENGRENAGES DE TRANSMISSION

Les engrenages de transmission dans le boîtier d'engrenage doivent être lubrifiés régulièrement avec de la graisse à engrenage. Contrôlez le niveau de graisse dans le boîtier d'engrenage toutes les 50 h d'utilisation en retirant la vis d'étanchéité sur le côté du boîtier.

Si vous ne voyez pas de graisse sur les flancs des engrenages, procédez comme suit pour remplir le boîtier de graisse jusqu'au 3/4.

Ne remplissez pas complètement les engrenages de transmission.

1. Posez le taille-bordure sur son côté en sorte que la vis d'étanchéité soit vers le haut.
2. Utilisez la clé multifonction fournie pour desserrer et retirer la vis d'étanchéité.
3. Avec une seringue à graisse (non fournie), injectez de la graisse dans le trou de vis sans dépasser les 3/4 de la capacité.
4. Revissez complètement la vis d'étanchéité après l'injection.

RANGER L'OUTIL

- Retirez la batterie de l'outil.
- Nettoyez soigneusement et intégralement l'outil avant de le ranger.
- Si l'extension taille-bordure est démontée du bloc moteur et stockée séparément : Insérez le capuchon d'extrémité sur le manche de l'extension pour éviter que des saletés ne rentrent dans le coupleur.
- Rangez l'outil dans un endroit sec, bien aéré, fermé à clé ou en hauteur, et hors de portée des enfants. Ne rangez pas l'outil sur ou à côté d'engrais, d'essence ou d'autres substances chimiques.

Protection de l'environnement



Ne jetez pas les équipements électriques, les chargeurs de batterie, les batteries rechargeables et les piles avec les ordures ménagères !

Conformément à la directive européenne 2012/19/UE, les équipements électriques et électroniques qui ne sont plus utilisables, et conformément à la directive européenne 2006/66/CE, les batteries rechargeables et les piles usagées ou défectueuses doivent être collectés séparément.

Si les appareils électriques sont jetés dans des décharges ou des dépôts d'ordures, des substances dangereuses peuvent s'infiltrer jusque dans la nappe phréatique et entrer dans la chaîne alimentaire, avec un effet néfaste sur votre santé et votre bien-être.

DÉPANNAGE

FR

PROBLÈME	URSACHE	LÖSUNG
Le taille-bordure ne s'allume pas.	<ul style="list-style-type: none"> ■ La batterie n'est pas insérée sur le bloc moteur. ■ Il n'y a pas de contact électrique entre le bloc moteur et la batterie. ■ La batterie est déchargée. ■ Le levier de déverrouillage et l'interrupteur-gâchette ne sont pas tous les deux appuyés. 	<ul style="list-style-type: none"> ■ Insérez la batterie sur le bloc moteur. ■ Retirez la batterie, contrôlez les contacts, puis réinsérez la batterie jusqu'à ce qu'elle s'encastre. ■ Rechargez la batterie avec les chargeurs EGO listés dans ce manuel d'utilisation. ■ Appuyez sur le levier de déverrouillage et maintenez-le appuyé, puis appuyez sur l'interrupteur-gâchette pour allumer le taille-bordure.
Le taille-bordure s'arrête pendant la coupe.	<ul style="list-style-type: none"> ■ Le capot de protection n'est pas assemblé sur l'outil, ce qui provoque une longueur excessive du fil de coupe et la surcharge du moteur. ■ Un fil de coupe trop épais est utilisé. ■ L'arbre du moteur ou la tête de coupe est bloqué par de l'herbe. ■ Le moteur est en surcharge. ■ La batterie ou le taille-bordure est trop chaud. ■ La batterie est déconnectée de l'outil. ■ La batterie est déchargée. 	<ul style="list-style-type: none"> ■ Retirez la batterie, puis assemblez le capot de protection sur l'outil. ■ Nous recommandons d'utiliser du fil de coupe en nylon d'un diamètre ne dépassant pas 2,4 mm . ■ Éteignez l'outil, retirez la batterie, puis retirez l'herbe de l'arbre du moteur et de la tête de coupe. ■ Retirez la tête de coupe de l'herbe. Le moteur retrouve un fonctionnement normal dès que la charge est retirée. Pendant la coupe, déplacez la tête de coupe dans et hors de l'herbe à couper, et ne coupez pas une longueur supérieure à 20 cm en un seul passage. ■ Laissez la batterie et l'outil refroidir jusqu'à ce que sa température devienne inférieure à 67 °C. ■ Réinstallez la batterie. ■ Rechargez la batterie avec les chargeurs EGO listés dans ce manuel d'utilisation.

PROBLÈME	URSACHE	LÖSUNG
La tête de coupe ne fait pas avancer le fil de coupe.	<ul style="list-style-type: none"> ■ L'arbre du moteur ou la tête de coupe est bloqué par de l'herbe. ■ Il n'y a pas assez de fil de coupe sur la bobine. ■ La tête de coupe est sale. ■ Le fil est emmêlé dans le boîtier de bobine. ■ Le fil de coupe est trop court. 	<ul style="list-style-type: none"> ■ Éteignez l'outil, retirez la batterie, puis retirez l'herbe de l'arbre du moteur et de la tête de coupe. ■ Retirez la batterie et changez le fil de coupe. Pour cela, consultez le chapitre « CHANGER LE FIL DE COUPE » de ce manuel d'utilisation. ■ Retirez la batterie et nettoyez la bobine, le boîtier de bobine et la base de la bobine. ■ Retirez la batterie, enlevez le fil de coupe de la bobine, puis rembobinez-le. Pour cela, consultez le chapitre « CHANGER LE FIL DE COUPE » de ce manuel d'utilisation. ■ Retirez la batterie, puis tirez les extrémités du fil de coupe en appuyant et en actionnant le bouton de frappe alternativement.
De l'herbe s'enroule autour de la tête de coupe et du boîtier du moteur.	<ul style="list-style-type: none"> ■ Vous coupez de l'herbe haute au ras du sol. 	<ul style="list-style-type: none"> ■ Coupez les herbes hautes de haut en bas en coupant 20 cm au maximum à chaque passage pour éviter que l'herbe ne s'enroule.
La lame ne coupe pas le fil de coupe.	<ul style="list-style-type: none"> ■ La lame de coupe du fil sur le bord du capot de protection est usée. 	<ul style="list-style-type: none"> ■ Affûtez la lame de coupe du fil avec une lime ou remplacez-la par une lame neuve.
La tête de coupe est fissurée ou le boîtier de bobine est défectueux de la base de bobine.	<ul style="list-style-type: none"> ■ La tête de coupe est usée. 	<ul style="list-style-type: none"> ■ Changez la tête de coupe immédiatement. Pour cela, suivez la procédure du chapitre « CHANGER LA TÊTE DE COUPE » de ce manuel d'utilisation.
Lors du changement du fil de coupe, il n'est pas possible de le charger correctement dans la tête de coupe.	<ul style="list-style-type: none"> ■ Les lignes LOAD du boîtier de bobine ne sont pas alignées avec les œillets de la base de bobine. ■ Le fil de coupe n'est pas correctement inséré dans les trous d'assemblage des œillets. 	<ul style="list-style-type: none"> ■ Tournez le boîtier de bobine dans le sens de la flèche pour aligner les lignes LOAD du boîtier de bobine avec les œillets de la base de bobine. ■ Alignez d'abord les lignes LOAD avec les œillets, puis insérez le fil dans les trous d'assemblage des œillets.

GARANTIE

POLITIQUE DE GARANTIE EGO

Veillez consulter le site egopowerplus.com pour trouver l'ensemble des modalités et conditions de la politique de garantie EGO

¡LEA TODAS LAS INSTRUCCIONES!



LEA EL MANUAL DEL USUARIO

ES

⚠ ¡Riesgo residual! Aquellas personas con implantes electrónicos, tales como marcapasos, deberán consultar a su médico antes de utilizar este producto. La utilización de equipos eléctricos a proximidad de un marcapasos podría causar en este interferencias o averías.

⚠ ADVERTENCIA: Para garantizar la seguridad y fiabilidad de la herramienta, confíe cualquier reparación y sustitución de piezas que sea necesaria a personal técnico cualificado.

SÍMBOLOS RELACIONADOS CON LA SEGURIDAD

El propósito de los símbolos de seguridad es el de atraer su atención hacia los posibles peligros que conlleva la utilización del producto. Los símbolos de seguridad y las explicaciones que los acompañan requieren su máxima atención y comprensión. Por sí solos, los símbolos de advertencia no eliminan los posibles peligros que pudieran existir. Las instrucciones y advertencias que aquí se incluyen no son sustitutas en modo alguno de las medidas de prevención adecuadas que deben tomarse para evitar posibles accidentes.

⚠ ADVERTENCIA: Antes de utilizar esta herramienta, asegúrese de haber leído y entendido perfectamente todas las instrucciones incluidas en este Manual del usuario, incluidos todos los símbolos de aviso sobre seguridad, como "PELIGRO", "ADVERTENCIA", y "PRECAUCIÓN". De no observarse todas las instrucciones proporcionadas a continuación podría existir un riesgo de incendio, electrocución, así como de lesiones físicas graves.

SIGNIFICADO DE LOS DISTINTOS SÍMBOLOS




⚠ SÍMBOLO DE AVISO DE SEGURIDAD: Indica PELIGRO, ADVERTENCIA, o PRECAUCIÓN, se puede usar en combinación con otros símbolos o pictogramas.



⚠ ADVERTENCIA: Es posible que, cuando se utilizan herramientas eléctricas, salgan despedidos objetos que podrían causar lesiones oculares graves. Antes de empezar a usar herramientas eléctricas, póngase siempre gafas de seguridad o gafas que cuenten con pantallas de protección lateral y una máscara que proteja completamente la cara en caso necesario. Recomendamos la utilización de máscaras de seguridad de amplia visión que pueden utilizarse encima de gafas graduadas, o bien gafas normales de seguridad equipadas con pantallas laterales.

INSTRUCCIONES RELACIONADAS CON LA SEGURIDAD

Esta página muestra y describe los símbolos de seguridad que puede haber en este producto. Asegúrese de leer, comprender y cumplir todas las instrucciones que se indican en la máquina antes de proceder a su montaje y utilización.

	Aviso de seguridad	Indica una situación potencialmente peligrosa que podría provocar lesiones.
	Lea el Manual del usuario	Para reducir el riesgo de lesiones, será necesario leer y entender el Manual del usuario antes de utilizar este producto.
	Utilizar protección ocular	Utilice siempre utilice gafas de seguridad o gafas con pantallas de protección lateral y una máscara que proteja completamente la cara cuando utilice este producto.
	Utilizar protección auditiva	Utilice siempre protección contra el ruido (tapones para los oídos u orejeras) para proteger sus oídos.
	Utilizar protección para la cabeza	Lleve puesto casco de seguridad para protegerse la cabeza de posibles impactos.

	Utilizar guantes de protección	Utilice guantes para proteger sus manos cuando manipule la cuchilla o la protección de la cuchilla. Utilice guantes resistentes y antideslizantes que mejoren el agarre y le protejan las manos.
	Utilizar calzado de seguridad	Lleve calzado de seguridad antideslizante siempre que utilice este equipo.
	Anchura de corte	La anchura de corte máxima del cortabordes con cabezal de hilo
	Diámetro del hilo de corte	Observe el diámetro del hilo de corte indicado.
	No usar cuchillas redondas	No instale cuchillas redondas.
	Mantener a terceros apartados de la zona donde se esté utilizando la herramienta	Asegúrese de que las personas y los animales domésticos se mantengan a una distancia de seguridad prudente de al menos 15 metros de la zona donde se esté utilizando el cortabordes con cabezal de hilo.
	Mantener a terceros apartados de la zona donde se esté utilizando la herramienta	Asegúrese de que las personas y los animales domésticos se mantengan a una distancia de seguridad prudente de al menos 15 metros de la zona donde se esté utilizando el cortabordes con cabezal de hilo.
	No exponga la herramienta a la lluvia	No utilice la herramienta bajo la lluvia ni la deje a la intemperie cuando esté lloviendo.
	CE	Este producto está en conformidad con las directivas de la CE aplicables.

	RAEE	Los productos eléctricos no deben eliminarse con la basura doméstica. Líveelos a un centro de reciclaje autorizado.
	ruido	Nivel de potencia acústica garantizado. Emisiones de ruido al medio ambiente en conformidad con la Directiva de la Unión Europea.
V	Voltios	Tensión
mm	Milímetro	Longitud o tamaño
cm	Centímetro	Longitud o tamaño
kg	Kilogramo	Peso

ES

ADVERTENCIAS GENERALES SOBRE HERRAMIENTAS ELÉCTRICAS

⚠ ADVERTENCIA: Lea todas las advertencias, instrucciones, ilustraciones y especificaciones incluidas con esta herramienta eléctrica. Si no se cumplen todas las instrucciones que se enumeran a continuación, pueden producirse descargas eléctricas, incendios o lesiones graves.

Conservar todas las instrucciones y advertencias para futuras consultas.

El término “herramientas eléctricas” que aparece en las advertencias se refiere tanto a aquellas herramientas que funcionan conectadas a la red eléctrica (mediante cable) como a aquellas otras que funcionan con acumuladores (inalámbricas).

SEGURIDAD EN LA ZONA DE TRABAJO

- Mantenga la zona de trabajo limpia y bien iluminada. Los lugares desordenados o poco iluminados favorecen los accidentes.
- No utilice herramientas eléctricas en ambientes explosivos, por ejemplo, en presencia de líquidos, gases o polvo inflamables. Las herramientas eléctricas crean chispas que podrían hacer que el polvo o los humos se incendiaran.
- Mantenga a los niños y las demás personas alejados cuando esté utilizando una herramienta eléctrica. Cualquier distracción podría hacerle perder el control de la herramienta.

SEGURIDAD PERSONAL

- **Manténgase alerta, preste atención a lo que está haciendo y use el sentido común cuando esté utilizando una herramienta eléctrica. No utilice herramientas eléctricas cuando esté cansado o si se encuentra bajo los efectos de drogas, alcohol o fármacos.** Cualquier momento de descuido durante la utilización de herramientas eléctricas podría ocasionar lesiones físicas graves.
- **Utilice equipo de protección personal. Utilice siempre protección ocular.** El equipo de protección, como máscaras antipolvo, calzado de seguridad antideslizante, casco protector o protección auditiva, cuando se utiliza adecuadamente, reduce las lesiones personales.
- **Evite la puesta en marcha accidental de la herramienta. Asegúrese de que el interruptor se encuentra en la posición de apagado antes de enchufar la herramienta a la red eléctrica y/o de acoplar la batería, así como al recoger o transportar la herramienta.** Si lleva una herramienta eléctrica con el dedo puesto sobre el interruptor, o si enchufa una herramienta eléctrica con el interruptor encendido, pueden producirse accidentes.
- **Retire cualquier llave de ajuste o llave inglesa de la herramienta antes de activarla.** Una llave inglesa o una llave de ajuste enganchada a una parte giratoria de la herramienta puede producir lesiones físicas.
- **No se estire demasiado para alcanzar lugares de difícil acceso.** Mantenga una posición firme y equilibrada en todo momento. De este modo podrá controlar mejor la herramienta eléctrica en situaciones inesperadas.
- **Utilice ropa adecuada. No lleve puesta ropa holgada ni joyas. Mantenga el pelo, la ropa y los guantes alejados de las piezas móviles.** La ropa holgada, así como las joyas o el pelo largo podrían engancharse en las partes móviles de la herramienta.
- **Si se incluyen dispositivos de conexión a extractores y colectores de polvo, asegúrese de conectarlos y utilizarlos adecuadamente.** La utilización de dispositivos colectores de polvo puede reducir los peligros ocasionados por el polvo.
- **El hecho de haberse familiarizado con la herramienta por el uso frecuente no debe hacer que se descuide e ignore los principios de seguridad.** Una distracción puede provocar lesiones graves en una fracción de segundo.

UTILIZACIÓN Y CUIDADO DE LAS HERRAMIENTAS ELÉCTRICAS

- **No fuerce la herramienta eléctrica. Utilice la herramienta eléctrica adecuada para la tarea que vaya a realizar.** La herramienta correcta funcionará mejor y con más seguridad a la velocidad para la que ha sido diseñada.
- **No use la herramienta si el interruptor de alimentación no funciona.** Toda herramienta que no se puede controlar con el interruptor es peligrosa y debe repararse.
- **Guarde las herramientas eléctricas apagadas fuera del alcance de niños y no deje que las usen personas que no estén familiarizadas con estas instrucciones o con las herramientas.** Las herramientas eléctricas son peligrosas si las usan personas sin experiencia.
- **Cuide las herramientas eléctricas y sus accesorios. Examine las herramientas eléctricas por si alguno de sus elementos móviles está desalineado o trabado, o si hay piezas rotas u otra circunstancia que afecte a su funcionamiento. Si la herramienta eléctrica está dañada, llévela a reparar antes de usarla.** Muchos accidentes se deben a un mantenimiento deficiente de las herramientas eléctricas.
- **Mantenga las herramientas de corte afiladas y limpias.** Las herramientas de corte bien afiladas tienen menos probabilidades de atascarse y son más fáciles de controlar.
- **Use la herramienta eléctrica, los accesorios, las brocas, etc., siguiendo las instrucciones y teniendo en cuenta las condiciones de trabajo y la tarea a realizar.** El uso de la herramienta eléctrica para fines diferentes a los previstos puede provocar situaciones de peligro.
- **Mantenga las asas y la superficie de agarre secas, limpias y libres de aceite y grasa.** Si las asas y las superficies de agarre están resbaladizas no se puede manejar la herramienta de forma segura ni mantener el control en las situaciones inesperadas.
- **Mantenga los cables alejados del área de trabajo de la herramienta.** Durante la utilización de la herramienta, los cables podrían quedar ocultos y cortarse accidentalmente.

UTILIZACIÓN Y MANTENIMIENTO DE HERRAMIENTAS A BATERÍA

- **Recargue únicamente con el cargador especificado por el fabricante.** Un cargador que es adecuado para un tipo de batería puede ocasionar un incendio si es utilizado con otra batería.
- **Utilice herramientas eléctricas solamente con las baterías asignadas para las ellas.** El uso de otras baterías podría producir riesgo de lesiones físicas e incendio.
- **Cuando no se esté utilizando la batería, manténgala apartado de objetos metálicos como clips para papeles, monedas, llaves, clavos, tornillos, o cualquier otro objeto metálico pequeño que pudiera provocar un cortocircuito en sus terminales de corriente.** Un cortocircuito en los terminales de la batería podría provocar quemaduras o un incendio.
- **En condiciones de uso intensivo, es posible que se produzca una fuga de ácido de los acumuladores. Evite el contacto. Enjuague con agua si se produce un contacto accidental. Si el líquido entra en contacto con los ojos, solicite también atención médica.** El líquido que emana de la batería puede provocar irritaciones o quemaduras.
- **No utilice una batería o una herramienta que haya sido modificada o que esté dañada.** Las baterías dañadas o modificadas pueden tener un comportamiento impredecible y provocar un incendio, explosión o riesgo de lesiones.
- **No exponga la batería ni la herramienta al fuego ni a una temperatura excesiva.** La exposición al fuego o a una temperatura superior a 100 °C podría provocar una explosión.
- **Siga todas las instrucciones de carga y no cargue la batería ni la herramienta fuera del rango de temperatura especificado en las instrucciones.** Una carga incorrecta o a temperaturas fuera del rango especificado puede dañar la batería y aumentar el riesgo de incendio.

SERVICIO TÉCNICO

- **Las reparaciones de la herramienta eléctrica debe realizarlas un técnico cualificado, utilizando solo piezas de recambio idénticas.** Así se asegurará de que la herramienta eléctrica siga siendo segura.
- **No repare nunca baterías que estén dañadas.** Las baterías solo debe repararlas el fabricante o un centro de servicio técnico autorizado.

⚠ ADVERTENCIA: Lea todas las advertencias, instrucciones, ilustraciones y especificaciones incluidas con esta herramienta eléctrica. Si no se cumplen todas las instrucciones que se enumeran a continuación, pueden producirse descargas eléctricas, incendios o lesiones graves. Guarde todas las instrucciones y advertencias para consultarlas en el futuro.

Guarde todas las instrucciones y advertencias para consultarlas en el futuro.

FORMACIÓN

- Lea atentamente estas instrucciones. Familiarícese con los mandos y con la manera correcta de utilizar el aparato.
- Nunca permita que utilicen la herramienta las personas que no estén familiarizadas con estas instrucciones ni los niños. Es posible que las normativas locales limiten la edad de los usuarios.
- Tenga en cuenta que el usuario es responsable de los accidentes o riesgos causados a otras personas o a sus propiedades.

PREPARACIÓN

- Nunca utilice la herramienta cuando haya cerca otras personas, especialmente niños, o animales domésticos.
- Utilice siempre protección ocular y calzado robusto cuando use la herramienta.
- La distancia entre la máquina y otras personas debe ser al menos 15 m.
- No use nunca la máquina estando cansado, enfermo o bajo los efectos del alcohol u otras drogas.

INSTRUCCIONES DE USO

- Utilice la herramienta únicamente a plena luz del día o cuando exista iluminación artificial adecuada.
- No use nunca la herramienta si los dispositivos de protección están dañados o no están instalados en su lugar.
- No ponga en marcha el motor hasta haberse asegurado de tener las manos y los pies lo suficientemente apartados de los elementos de corte.
- Desconecte siempre la herramienta de la fuente de alimentación (es decir, quite la batería):
 - siempre que vaya a dejarla sin vigilancia;
 - antes de eliminar cualquier obstrucción;
 - antes de comprobar, limpiar o llevar a cabo cualquier operación en la máquina;
 - después de golpear un objeto extraño;
 - en cuanto se observen vibraciones anormales en la

herramienta.

- Extreme las precauciones para evitar sufrir lesiones en los pies y las manos debido a la acción de los elementos de corte.
- Asegúrese siempre de que los orificios de ventilación están libres de residuos.

ES

MANTENIMIENTO Y ALMACENAMIENTO

- Desconecte la herramienta de la alimentación eléctrica (es decir, quite la batería) antes de realizar trabajos de mantenimiento o limpieza.
- Utilice únicamente piezas de repuesto y accesorios recomendados por el fabricante.
- Examine la herramienta regularmente y lleve a cabo las operaciones de mantenimiento. Cualquier reparación de la herramienta debe realizarla un servicio técnico autorizado.
- Cuando no la esté utilizando, guarde la herramienta fuera del alcance de niños.

OTRAS ADVERTENCIAS DE SEGURIDAD

- Evite los entornos peligrosos - No utilice aparatos en una pendiente mojada o húmeda.
- Mantenga los dispositivos de protección en su lugar y en buen estado de funcionamiento.
- Mantenga las manos y los pies alejados de la zona de corte.
- Para reducir el riesgo de lesiones, nunca utilice la herramienta subido a una escalera ni a otra base insegura. Nunca eleve el accesorio de corte por encima de su cintura.
- Compruebe el elemento de corte con frecuencia mientras utiliza la herramienta o inmediatamente si observa cualquier cambio notable en la eficacia de corte.
- Para obtener resultados óptimos, deberá recargar la batería en lugares donde la temperatura ambiente sea mayor que 5° C y menor que 40° C. No la almacene en el exterior ni dentro de vehículos.
- Pare el motor y el elemento de corte si alguien se le acerca.
- Advierta al usuario del peligro de contragolpe de la cuchilla (solo cuando se usa la cuchilla de 3 dientes).
 - Puede producirse contragolpe de las cuchillas cuando la cuchilla giratoria entra en contacto con un objeto que no corta inmediatamente.

- El contragolpe de las cuchillas puede ser lo bastante violento para provocar que el aparato y/o el usuario salgan impulsados en cualquier dirección, con la posibilidad de perder el control de la herramienta.
- El contragolpe de las cuchillas se puede producir sin previo aviso si la cuchilla se queda trabada, se para o se engancha.
- Es más probable que se produzca contragolpe de las cuchillas en zonas en las que resulta difícil ver el material que se está cortando.
- **No instale ninguna cuchilla a una unidad sin colocar correctamente todas las piezas necesarias. Si no se utilizan las piezas adecuadas, la cuchilla podría salir despedida y provocar lesiones graves al usuario o a otras personas. Deseche las cuchillas que estén dobladas, deformadas, agrietadas, rotas o dañadas de cualquier otro modo. Utilice una cuchilla afilada. Una cuchilla embotada tiene más probabilidades de trabarse y de sufrir contragolpes (solo cuando se usa la cuchilla de 3 dientes).**
- Una cuchilla/hilo que se mueve en inercia puede provocar lesiones mientras sigue girando tras haber parado el motor o soltado el gatillo. Mantenga un control adecuado hasta que la cuchilla/hilo haya dejado de girar completamente.
- Las herramientas que funcionan a batería no requieren enchufarse en una toma de corriente. Por lo tanto, siempre están listas para funcionar. Sea consciente de los posibles peligros, incluso cuando la herramienta no está funcionando. Preste especial atención al efectuar reparaciones u operaciones de mantenimiento en la herramienta.
- No limpie la herramienta utilizando una manguera. Evite que penetre agua en el motor y en las conexiones eléctricas.
- Si se produce alguna situación que no esté incluida en este manual, actúe con cuidado y sentido común. Póngase en contacto con el departamento de atención al cliente de EGO para solicitar ayuda.
- Utilizar solo con los acumuladores y cargadores enumerados en la fig. A.

CONSERVE ESTAS INSTRUCCIONES EN UN LUGAR SEGURO!

ESPECIFICACIONES

Sistema de corte	Cabezal con extracción de hilo automática por impacto	
Diámetro del hilo de corte	Hilo retorcido de nailon de 2,4 mm	
Anchura de corte	38 cm	
Revoluciones del motor en vacío	5000/6000 min ⁻¹	
Peso (sin acumulador)	1,59 kg	
Temperatura de funcionamiento recomendada	0°C-40°C	
Temperatura de almacenamiento recomendada	-20°C-70°C	
Nivel de potencia acústica ponderado L _{WA}	94,6 dB(A) K=1,80 dB(A)	
Nivel de presión acústica medido a la altura del oído del usuario L _{PA}	83,2 dB(A) K=3 dB(A)	
Nivel de potencia acústica garantizado L _{WA} (medido según 2000/14/CE)	96 dB(A)	
Nivel de vibraciones (a _v)	Empuñadura auxiliar delantera	1,1 m/s ² K=1,5 m/s ²
	Empuñadura trasera	1,4 m/s ² K=1,5 m/s ²

- Los parámetros anteriores se han comprobado y medido equipando un conjunto de motor PH1400E.
- El nivel total de vibraciones especificado ha sido medido conforme al método de prueba estándar empleado en la industria y puede utilizarse para efectuar comparaciones entre herramientas.
- Asimismo, el nivel total de vibraciones declarado podrá utilizarse para efectuar una evaluación preliminar de la exposición del usuario a los niveles de vibración generados por la herramienta.

AVISO: Las vibraciones generadas durante el uso real de la herramienta eléctrica podrán diferir del valor declarado en función de la manera en que se utilice. A modo de protección, el usuario deberá utilizar guantes y protectores auditivos en condiciones reales de uso.

LISTA DE EMBALAJE

DENOMINACIÓN DE PIEZA	CANTIDAD
Accesorio cortabordes con cabezal de hilo	1
Guarda de protección	1
Llave hexagonal	1
Llave multifunción	1
Manual de instrucciones	1

ES

Consulte el hilo de corte recomendado en la página web egopowerplus.com, o en el catálogo de productos de EGO.

DESCRIPCIÓN

FAMILIARÍCESE CON SU CORTABORDES CON CABEZAL DE HILO (Fig. A)

- Tapón
- Tubo del cortabordes con cabezal de hilo
- Hilo de corte
- Cuchilla de recorte del hilo
- Lengüeta de liberación
- Hilo de corte
- Guarda de protección
- Llave hexagonal
- Llave multifunción

⚠ ADVERTENCIA: Nunca utilice la herramienta sin la protección instalada y firmemente sujeta en su sitio. La protección deberá estar siempre instalada en la herramienta a fin de ofrecer protección al usuario.

CONJUNTO

⚠ ADVERTENCIA: Si alguna pieza falta o está rota, no utilice el producto hasta haber sustituido las piezas rotas o instalado las que faltan. Podrían producirse lesiones físicas graves en caso de utilizar el producto si alguna de sus piezas falta o está dañada.

⚠ ADVERTENCIA: No intente modificar esta herramienta en modo alguno ni fabricar accesorios no recomendados para su uso en este cortabordes con cabezal de hilo. Cualquier alteración o modificación se considerará uso indebido y podría provocar una situación peligrosa con riesgo de sufrir lesiones graves.

⚠ ADVERTENCIA: No conecte el conjunto de motor hasta después de haber finalizado el montaje. De lo contrario, podría producirse un arranque accidental y posibles lesiones graves.

ES

MONTAJE DE LA GUARDA DE PROTECCIÓN

⚠ ADVERTENCIA: Utilice siempre guantes al instalar o sustituir la protección. Tenga cuidado con la cuchilla instalada en la protección y proteja sus manos para evitar cortarse con ella.

Afloje los dos tornillos de la base del tubo y quítelos (fig. C), alinee los orificios de montaje de la guarda de protección con los orificios de instalación y, a continuación, bloquee la guarda de protección sobre la base del tubo utilizando los dos tornillos, junto con dos arandelas elásticas (fig. D).

Asegúrese de que la guarda esté fijada tal como se muestra en las fig. C y D. Si se fija de forma inversa provocará una situación de peligro grave.

CONEXIÓN DEL ACCESORIO DE CORTABORDES CON CABEZAL DE HILO AL CONJUNTO DE MOTOR

Este accesorio de cortabordes con cabezal de hilo está diseñado para su uso con el conjunto de motor EGO PH1400E.

Consulte el apartado **"INSTALACIÓN DE UN ACCESORIO EN EL CONJUNTO DE MOTOR"** del manual del usuario del conjunto de motor PH1400E.

UTILIZACIÓN

⚠ ADVERTENCIA: No permita que la confianza que supone el hecho de estar familiarizado con el producto dé lugar a descuidos. Recuerde que cualquier distracción de una fracción de segundos es suficiente para sufrir o provocar lesiones graves.

⚠ ADVERTENCIA: Utilice siempre gafas de seguridad, así como protección auditiva. De lo contrario, los objetos despedidos por la acción de la herramienta podrían alcanzar sus ojos y provocar lesiones graves oculares o de otro tipo.

APLICACIONES

Este producto podrá utilizarse para los fines indicados a continuación:

- Recortar hierba y malas hierbas alrededor de porches, vallas y terrazas

AVISO: La herramienta debe utilizarse únicamente para el fin previsto. Cualquier otro uso se considerará uso indebido.

Antes de cada utilización, examine la herramienta por si hubiera piezas dañadas o desgastadas.

Examine el cabezal del cortabordes, la protección y empuñadura auxiliar delantera. Sustituya cualquier pieza que esté agrietada, deformada, doblada o presente cualquier tipo de daño.

Con el tiempo, el filo de la cuchilla de recorte de hilo situada en la protección puede llegar a embotarse. Se recomienda afilarla con una lima a intervalos periódicos o sustituirla por otra nueva.

⚠ ADVERTENCIA: Utilice siempre guantes cuando instale o sustituya la protección, así como cuando afile o cambie la cuchilla. Tenga en cuenta la situación de la cuchilla instalada en la protección y proteja adecuadamente sus manos para evitar lesionarse.

⚠ ADVERTENCIA: Para evitar lesiones graves, quite el acumulador del conjunto de motor antes de realizar cualquier reparación, limpieza, sustitución de accesorios, y cuando vaya a retirar material de la unidad.

UTILIZACIÓN DEL CORTABORDES CON EL CONJUNTO DE MOTOR

⚠ ADVERTENCIA: Utilice ropa adecuada cuando trabaje con esta herramienta, para reducir el riesgo de lesiones. No lleve puesta ropa holgada ni joyas. Utilice protección ocular y auditiva. Utilice pantalones largos, botas y guantes resistentes. No lleve pantalones cortos, sandalias, ni vaya descalzo.

⚠ ADVERTENCIA: Antes de cada uso, despeje la zona de trabajo. Asegúrese de retirar los objetos extraños como piedras, vidrios rotos, clavos, alambres, cables o cuerdas, ya que podrían salir despedidos o enredarse en el elemento de corte. Mantenga a niños, mascotas y otros espectadores apartados de la zona de trabajo. Mantenga a niños, mascotas, y otros espectadores a una distancia mínima de 15 m; existe riesgo de que salgan objetos despedidos. Se recomienda que cualquier persona presente en la zona de trabajo utilice protección ocular. Apague inmediatamente el motor o desactive el dispositivo de corte si cualquiera se le acerca.

Para un funcionamiento mejor y más seguro, póngase la correa bandolera cruzada desde el hombro. Ajuste la correa bandolera en una posición cómoda para utilizar la herramienta. Sujete el cortabordes con cabezal de hilo con una mano sobre la empuñadura trasera y la otra mano sobre la empuñadura auxiliar delantera. Mantenga un agarre firme con las dos manos mientras utiliza la herramienta. El cortabordes con cabezal de hilo deberá sujetarse en una posición cómoda con la empuñadura trasera aproximadamente a la altura de la cadera. El cabezal del cortabordes debe estar paralelo al suelo, de forma que pueda entrar en contacto fácilmente con el material a cortar sin que el usuario tenga que inclinarse (fig. B).

⚠ ADVERTENCIA: La correa bandolera también es un mecanismo de liberación rápida si se produce una situación peligrosa. En caso de emergencia, quítesela del hombro inmediatamente, sin importar cómo esté colocada la correa.

Limpie el cortabordes después de cada uso.

Consulte en el apartado “MANTENIMIENTO” las instrucciones de limpieza.

PARA PONER EN MARCHA/PARAR LA HERRAMIENTA

Consulte el apartado “PUESTA EN MARCHA/PARADA DEL CONJUNTO DE MOTOR” del manual del usuario del conjunto de motor PH1400E.

CÓMO AJUSTAR LA LONGITUD DEL HILO DE CORTE

El cabezal del cortabordes permite al usuario ir extrayendo más hilo de corte del carrete sin tener que detener el motor. A medida que el hilo se deshilacha o se desgasta, se puede extraer hilo adicional golpeando levemente el cabezal del cortabordes sobre el suelo mientras se utiliza el cortabordes (fig. E).

AVISO: La extracción del hilo de corte se hará más difícil a medida que se hace más corto o va quedando menos cantidad en el carrete.

⚠ ADVERTENCIA: No retire ni modifique el conjunto de la cuchilla de corte del hilo. Una longitud excesiva de hilo de corte hará que el motor se sobrecaliente y podría dar lugar a lesiones físicas graves.

SUSTITUCIÓN DEL HILO DE CORTE

AVISO: Utilice siempre el hilo de corte de nailon recomendado, cuyo diámetro no sea mayor que 2,4 mm. Si se utiliza otro hilo de corte distinto al especificado, el cortabordes de hilo podría calentarse excesivamente y sufrir daños.

⚠ ADVERTENCIA: Nunca utilice carretes de alambre, hilo metálico reforzado, cuerda, etc., ya que podrían romperse y sus trozos convertirse en proyectiles peligrosos.

1. Quite el acumulador.
2. En caso necesario, quite el hilo de corte que quede. Solo tiene que tirar de él con la mano.
3. Corte 4 m del hilo de corte, Inserte el hilo en el orificio de montaje en el interior de la anilla (fig. F). Empuje y tire del hilo desde el otro lado, hasta que aparezca la misma cantidad de hilo por ambos lados del carrete.
4. Presione al mismo tiempo que gira el cartucho del carrete en la dirección de la flecha, para enrollar el hilo en el carrete hasta que se vean aproximadamente 14 cm de hilo por cada lado (fig. G).
5. Empuje el cartucho del carrete hacia abajo mientras tira de los hilos para hacer que el hilo avance manualmente y para comprobar el montaje correcto del cabezal del cortabordes.

Si el hilo de corte se rompe de la salida del hilo o si no se libera hilo de corte cuando se golpea el cabezal del cortabordes, realice los pasos siguientes:

1. Quite el acumulador.
2. Presione las lengüetas de liberación situadas en el cartucho del carrete y saque el cartucho del carrete tirando de él hacia afuera (fig. H y I).
3. Quite el hilo de corte del cartucho del carrete.
4. Sujetando con una mano la base del carrete, agarre con la otra mano el cartucho del carrete y alinee las lengüetas del cartucho del carrete con los orificios de la base del carrete (fig. J); presione con la palma de la mano y gire el cartucho del carrete hacia la izquierda y hacia la derecha, hasta que las lengüetas se bloqueen con la base del carrete (fig. K).
5. Siga las instrucciones del apartado “SUSTITUCIÓN DEL HILO DE CORTE” para volver a cargar el hilo de corte.

Si se va a utilizar la herramienta como desbrozadora, siga los pasos indicados en las fig. L y M para desmontar el cabezal del cortabordes.

ES

MANTENIMIENTO

⚠ ADVERTENCIA: Antes de inspeccionar, limpiar o reparar la unidad, apague el motor, espere a que se detengan todas las partes móviles y retire el acumulador. El incumplimiento de estas instrucciones podría tener como resultado lesiones personales graves o daños materiales.

⚠ ADVERTENCIA: Cuando efectúe reparaciones en la herramienta, utilice únicamente piezas idénticas a las originales. La utilización de piezas diferentes o no homologadas puede suponer un peligro o causar daños en el producto. Para garantizar la seguridad y fiabilidad del producto, todas las reparaciones que no se enumeran en estas instrucciones de mantenimiento deberá realizarlas un técnico cualificado.

MANTENIMIENTO GENERAL

Evite utilizar disolventes para limpiar los elementos plásticos del producto. La mayoría de las piezas de plástico utilizadas son susceptibles de sufrir daños si se limpian con algunos de los tipos de disolventes disponibles en el mercado. Utilice paños limpios para eliminar la suciedad y los residuos de polvo, aceite, grasa, etc.

LIMPIEZA DE LA UNIDAD

- Limpie toda la hierba que se pueda haber enrollado alrededor del eje del motor o del cabezal del cortabordes.
- Utilice un cepillo pequeño o una aspiradora para limpiar los orificios de ventilación de la carcasa trasera.
- Limpie la herramienta utilizando un paño húmedo y detergente suave.
- No utilice detergentes fuertes en la carcasa de plástico o empuñadura. Algunos aceites aromáticos, como aquellos a base de limón o pino, y disolventes como el queroseno, podrían dañar estas piezas. La humedad también puede provocar descargas eléctricas. Utilice un paño suave y seco para eliminar cualquier resto de humedad.

LUBRICACIÓN DE LOS ENGRANAJES DE TRANSMISIÓN

Los engranajes de transmisión de la caja de engranajes deberán lubricarse periódicamente con grasa para engranajes. Compruebe el nivel de grasa de la caja de engranajes aproximadamente cada 50 horas de uso retirando el tornillo de sellado del lateral de la caja.

Si no se ve grasa en los flancos de los engranajes, siga los pasos que se indican a continuación para rellenar con grasa para engranajes hasta 3/4 de la capacidad.

No rellene por completo los engranajes de transmisión con grasa.

1. Sujete el cortabordes por un lado, de modo que el tornillo de sellado esté hacia arriba.
2. Emplee la llave multifunción suministrada para aflojar y retirar el tornillo de sellado.
3. Utilice una jeringa de grasa (no incluida) para inyectar la grasa en el orificio del tornillo; no sobrepase 3/4 de la capacidad.
4. Apriete el tornillo de sellado tras la inyección.

ALMACENAMIENTO DE LA HERRAMIENTA

- Quite el acumulador del cortabordes.
- Limpie minuciosamente la herramienta antes de proceder a su almacenamiento.
- Si el accesorio cortabordes se quita del conjunto de motor y se guarda por separado: acople el tapón sobre el eje del accesorio para evitar que entre suciedad en el acoplador.
- Almacene la herramienta en un lugar seco y bien ventilado, ya sea cerrado o a una altura suficiente que impida que niños puedan alcanzarla. No la guarde encima ni cerca de fertilizantes, gasolina u otros productos químicos.

Protección del medio ambiente



No elimine aparatos eléctricos, cargadores de baterías, acumuladores recargables o baterías junto con los desperdicios domésticos!

Tanto la Directiva europea 2012/19/UE sobre la eliminación de aparatos eléctricos y electrónicos inservibles como la Directiva europea 2006/66/CE sobre la eliminación de baterías o acumuladores defectuosos o agotados estipulan que dichos elementos deben ser objeto de una recogida selectiva.

Si los aparatos eléctricos acabaran tirándose a vertederos o basureros, podrían desprender sustancias perjudiciales que llegarían a contaminar las capas freáticas y entrar en la cadena alimenticia, con el consecuente peligro para la salud y calidad de vida humana.

RESOLUCIÓN DE PROBLEMAS

PROBLEMA	CAUSA	SOLUCIÓN
El cortabordes con cabezal de hilo no se pone en marcha	<ul style="list-style-type: none"> ■ El acumulador no está acoplado al conjunto de motor. ■ No hay contacto eléctrico entre el conjunto de motor y el acumulador. ■ El acumulador está agotado. ■ No ha presionado simultáneamente la palanca de desbloqueo y el gatillo interruptor. 	<ul style="list-style-type: none"> ■ Instale el acumulador en el conjunto de motor. ■ Retire la batería, compruebe los contactos eléctricos y vuelva a instalar el acumulador de modo que encaje en su sitio. ■ Cargue el acumulador con los cargadores EGO indicados en este manual. ■ Mantenga presionada hacia abajo la palanca de desbloqueo y apriete el gatillo interruptor para poner en marcha su cortabordes.
El cortabordes con cabezal de hilo deja de funcionar durante su uso.	<ul style="list-style-type: none"> ■ La guarda de protección no está instalada en el cortabordes, haciendo que el hilo de corte quede extraído a una longitud excesiva y el motor se sobrecargue. ■ Se está utilizando un hilo de corte demasiado grueso. ■ Hay una acumulación excesiva de hierba en el eje del motor o cabezal del cortabordes. ■ El motor se ha sobrecargado ■ El acumulador o el circuito del cortabordes se han sobrecalentado. ■ El acumulador se ha desconectado de la herramienta. ■ El acumulador está agotado. 	<ul style="list-style-type: none"> ■ Retire el acumulador e instale la guarda de protección en el cortabordes. ■ Utilice hilo de corte de nailon RECOMENDADO, con un diámetro no superior a 2,4 mm. ■ Apague el cortabordes, retire el acumulador y, a continuación, elimine cualquier acumulación de hierba presente en el eje del motor o cabezal del cortabordes. ■ Aparte el cabezal del cortabordes de la hierba. El motor se recuperará y volverá a funcionar normalmente tan pronto como se haya aliviado la carga. Al cortar la hierba, desplace el cabezal del cortabordes por esta siguiendo un movimiento de vaivén y procurando cortar una longitud máxima de 20 cm en cada pasada. ■ Espere a que el acumulador o el cortabordes se hayan enfriado lo suficiente hasta que su temperatura sea inferior a 67°C . ■ Vuelva a instalar en su sitio el acumulador. ■ Cargue el acumulador con los cargadores EGO indicados en este manual.

ES

PROBLEMA	CAUSA	SOLUCIÓN
El hilo de corte no se extrae automáticamente del cabezal del cortabordes.	<ul style="list-style-type: none"> ■ Hay una acumulación excesiva de hierba en el eje del motor o cabezal del cortabordes. ■ No queda suficiente longitud del hilo de corte en el carrete. ■ El cabezal del cortabordes está sucio. ■ El hilo está enredado en el cartucho del carrete. ■ El hilo de corte es demasiado corto. 	<ul style="list-style-type: none"> ■ Apague el cortabordes, retire el acumulador y, a continuación, elimine cualquier acumulación de hierba presente en el eje del motor o cabezal del cortabordes. ■ Retire el acumulador y sustituya el hilo de corte. Consulte el apartado titulado “SUSTITUCIÓN DEL HILO DE CORTE” que se incluye en este manual. ■ Retire el acumulador y limpie el carrete, su cartucho y la base. ■ Retire el acumulador, retire el hilo de corte del carrete y vuelva a enrollarlo correctamente. Consulte el apartado titulado “SUSTITUCIÓN DEL HILO DE CORTE” que se incluye en este manual. ■ Retire el acumulador y tire de los extremos del hilo de corte mientras presiona y suelta reiteradamente el botón de extracción del hilo de corte.
La hierba se enreda alrededor del cabezal y de la carcasa del motor.	<ul style="list-style-type: none"> ■ Está cortando a nivel del suelo hierba que está demasiado alta. 	<ul style="list-style-type: none"> ■ Corte la hierba alta de arriba hacia abajo, cortando un máximo de 20 cm en cada pasada para evitar que se enrede.
La cuchilla no corta el hilo.	<ul style="list-style-type: none"> ■ El filo de la cuchilla de recorte de hilo situada en la guarda de protección está embotado. 	<ul style="list-style-type: none"> ■ Afile la cuchilla de recorte del hilo utilizando una lima, o bien sustitúyala por una cuchilla nueva.
Grietas en el cabezal del cortabordes o el cartucho del carrete se suelta de la base del carrete.	<ul style="list-style-type: none"> ■ El cabezal del cortabordes está desgastado. 	<ul style="list-style-type: none"> ■ Sustituya inmediatamente el cabezal del cortabordes; consulte el apartado “SUSTITUCIÓN DEL CABEZAL DEL CORTABORDES” de este manual.
Al cambiar el hilo, no se puede cargar correctamente el hilo en el cabezal del cortabordes.	<ul style="list-style-type: none"> ■ Las líneas “LOAD” del cartucho del carrete no están alineadas con las anillas de la base del carrete. ■ El hilo no se ha insertado correctamente en el orificio de montaje en la anilla. 	<ul style="list-style-type: none"> ■ Las líneas “LOAD” del cartucho del carrete no están alineadas con las anillas de la base del carrete. ■ Alinee primero las líneas “LOAD” con las anillas y, a continuación, inserte el hilo en el orificio de montaje dentro de la anilla.

GARANTÍA

POLÍTICA DE GARANTÍA EGO

Por favor visite nuestra página web egopowerplus.com para los términos y las condiciones completas de la política de garantía EGO.

LEIA TODAS AS INSTRUÇÕES!



LEIA O MANUAL DO UTILIZADOR

⚠ Risco residual! As pessoas com dispositivos eletrônicos, como pacemakers, deverão consultar o seu médico antes de utilizarem este produto. A utilização de equipamento elétrico perto de um pacemaker pode causar interferências ou falhas no pacemaker.

⚠ AVISO: Para assegurar a segurança e bom funcionamento, todas as reparações e substituições deverão ser efetuadas por um técnico de reparação qualificado.

SÍMBOLOS DE SEGURANÇA

O objetivo dos símbolos de segurança é chamar a atenção para possíveis perigos. Os símbolos de segurança e as respetivas explicações apresentadas requerem a sua atenção e compreensão. Os avisos de segurança, só por si, não eliminam o perigo. As instruções e avisos dados não são substitutos para medidas de prevenção adequadas a acidentes.

⚠ AVISO: Certifique-se de que lê e compreende todos os avisos de segurança neste manual do utilizador, incluindo todos os símbolos de alerta de segurança, como “PERIGO”, “AVISO” e “CUIDADO” antes de usar esta ferramenta. Não seguir todas as instruções apresentadas abaixo pode resultar em choque elétrico, incêndio e/ou lesões graves.

SIGNIFICADO DOS SÍMBOLOS

⚠ SÍMBOLO DE ALERTA DE SEGURANÇA: Indica PERIGO, AVISO ou CUIDADO e pode ser usado juntamente com outros símbolos ou imagens.



⚠ AVISO: O funcionamento de qualquer ferramenta elétrica pode dar origem ao ressalto de quaisquer objetos estranhos que podem atingir os olhos, podendo dar origem a sérias lesões oculares. Antes de começar a utilizar a ferramenta elétrica, utilize sempre óculos de segurança com proteções laterais e uma proteção completa para a cara, quando necessário. Recomendamos Máscaras de Segurança com Visão Panorâmica por cima de óculos, ou óculos de segurança padrão com proteção lateral.

INSTRUÇÕES DE SEGURANÇA

Esta página retrata e descreve os símbolos de segurança que podem aparecer neste produto. Leia, compreenda e siga todas as instruções na máquina antes de tentar montar e utilizar.

	Alerta de segurança	Indica um potencial perigo de lesões pessoais.
	Leia o manual do utilizador	Para reduzir o risco de lesões, o utilizador tem de ler e compreender o manual do utilizador antes de usar este produto.
	Utilize proteção ocular	Use sempre óculos de segurança com proteção lateral e, se necessário, uma proteção completa do rosto, quando utilizar este produto.
	Utilize proteção auditiva	Use sempre proteções auditivas para proteger a sua audição.
	Use proteção para a cabeça	Use um chapéu de proteção aprovado para proteger a cabeça.
	Use luvas de proteção	Proteja as suas mãos com luvas quando manusear a lâmina ou a proteção da lâmina. As luvas resistentes e anti-derrapantes melhoram a aderência e protegem as suas mãos.
	Use calçado de segurança	Use calçado de segurança anti-derrapante quando usar este equipamento.
	Largura de corte	A largura máx. de corte da roçadora
	Diâmetro do fio	O diâmetro do fio de corte de nylon
	Sem lâmina redonda	Não instale lâminas de corte redondas.
	Mantenha terceiros afastados	Certifique-se de que outras pessoas e animais permanecem a, pelo menos, 15 metros do aparador de fio durante a utilização.

PT

	Mantenha terceiros afastados	Certifique-se de que outras pessoas e animais permanecem a, pelo menos, 15 metros do aparador de fio durante a utilização.
	Não exponha à chuva	Não use este produto à chuva nem o deixe no exterior quando chover.
	CE	Este produto encontra-se em conformidade com as diretivas CE aplicáveis.
	REEE	Os produtos elétricos residuais não deverão ser eliminados juntamente com o lixo doméstico comum. Entregue-os num centro de reciclagem autorizado.
	Barulho	Nível de potência do som garantido. Emissão de ruído para o ambiente de acordo com a diretiva da Comunidade Europeia.
V	Volts	Tensão
mm	Milímetro	Comprimento ou tamanho
cm	Centímetro	Comprimento ou tamanho
kg	Quilograma	Peso

- Não ligue ferramentas elétricas em atmosferas explosivas, tal como na presença de líquidos inflamáveis, gases ou pó. As ferramentas elétricas geram faíscas que podem provocar a ignição dos fumos ou pó.

- Mantenha crianças e terceiros afastados durante a utilização de uma ferramenta elétrica. As distrações podem fazer com que perca o controlo.

SEGURANÇA PESSOAL

- **Mantenha-se alerta, observe o que está a fazer e use senso comum quando estiver a trabalhar com uma ferramenta elétrica. Não utilize uma ferramenta elétrica enquanto estiver cansado ou sob o efeito de drogas, álcool ou medicação.** Um momento de falta de atenção enquanto trabalha com ferramentas elétricas pode resultar em lesões pessoais graves.

- **Use equipamento pessoal de proteção. Utilize sempre proteção ocular.** O equipamento de segurança, tal como máscara de pó, calçado de segurança antiderrapante, capacete de segurança, ou proteção para os ouvidos, utilizado nas condições adequadas, reduzirá a hipótese de lesões.

- **Evite os arranques sem intenção. Certifique-se de que o interruptor se encontra na posição de desligado antes de ligar à alimentação e/ou bateria e antes de pegar ou transportar a ferramenta.** Transportar ferramentas elétricas com o seu dedo no interruptor ou fornecer energia a ferramentas elétricas que tenham o interruptor na posição de ligado convida a acidentes.

- **Retire qualquer chave de ajuste ou chave de fendas antes de ligar a ferramenta elétrica.** Uma chave de porcas ou uma chave deixada ligada a uma peça rotativa da ferramenta elétrica pode provocar uma lesão.

- **Não cometa excessos. Mantenha sempre a base e o equilíbrio adequados.** Isto permite um melhor controlo da ferramenta elétrica em situações inesperadas.

- **Vista-se adequadamente. Não utilize roupa larga ou jóias. Mantenha o seu cabelo, roupa e luvas afastadas das peças móveis.** Roupas largas, jóias ou cabelo comprido podem ser apanhados pelas peças em movimento.

- **Se forem fornecidos dispositivos para a ligação de extração de pó e facilidades de recolha, certifique-se de que estes estão ligados e de que são devidamente utilizados.** A utilização de dispositivos de recolha de pó pode reduzir os perigos relacionados com o pó.

AVISOS DE SEGURANÇA GERAIS DA FERRAMENTA ELÉTRICA

⚠ AVISO: Leia todos os avisos de segurança, instruções, ilustrações e especificações fornecidas com esta ferramenta elétrica. Não seguir todas as instruções apresentadas abaixo pode resultar em choque elétrico, incêndio e/ou lesões graves.

Guarde todos os avisos e instruções para futuras referências.

O termo "ferramenta elétrica" nos avisos refere-se às suas ferramentas elétricas ligadas à corrente elétrica (com fios) ou ferramentas elétricas que funcionam com bateria (sem fios).

SEGURANÇA NA ÁREA DE TRABALHO

- Mantenha a área de trabalho limpa e bem iluminada. Áreas desarrumadas ou escuras são propícias a acidentes.

- **Não permita que a familiaridade ganhe com a utilização de ferramentas e torne mais complacente e ignore os princípios de segurança da ferramenta.** Uma ação descuidada pode causar lesões severas numa fração de segundo.

UTILIZAÇÃO E CUIDADOS DA FERRAMENTA ELÉTRICA

- **Não force a ferramenta elétrica. Utilize a ferramenta elétrica correta para a sua aplicação.** A ferramenta elétrica correta fará o trabalho melhor e de forma mais segura ao ritmo para o qual foi concebida.
- **Não utilize a ferramenta elétrica se o interruptor não a ligar ou desligar.** Qualquer ferramenta que não possa ser controlada com o interruptor é perigosa e deve ser reparada.
- **Guarde as ferramentas elétricas não utilizadas fora do alcance das crianças e não permita que pessoas não familiarizadas com a ferramenta elétrica ou com estas instruções utilizem a ferramenta elétrica.** As ferramentas elétricas são perigosas nas mãos de utilizadores sem formação.
- **Proceda à manutenção das ferramentas elétricas e acessórios. Certifique-se de que as partes móveis não estão desalinhas ou bloqueadas, que não há peças quebradas ou qualquer outra condição que possa afetar o funcionamento da ferramenta elétrica. Se estiver danificada, leve a ferramenta elétrica para ser reparada antes da utilização.** Muitos acidentes são provocados pela fraca manutenção das ferramentas elétricas.
- **Mantenha as ferramentas de corte afiadas e limpas.** Ferramentas devidamente mantidas com arestas de corte afiadas são menos fáceis de prender e mais fáceis de controlar.
- **Use a ferramenta elétrica, acessórios e brocas, etc., de acordo com estas instruções, tendo em conta as condições de trabalho e o trabalho a ser efetuado.** A utilização da ferramenta elétrica para operações diferentes daquelas para que foi criada pode dar origem a uma situação perigosa.
- **Mantenha as pegas e superfícies de segurar secas, limpas e sem óleo ou gordura.** Pegas e superfícies de segurar escorregadias não permitem o manuseamento seguro nem o controlo da ferramenta em situações inesperadas.
- **Mantenha cabos afastados da área de trabalho da ferramenta.** Durante o funcionamento, podem haver cabos ocultos nos arbustos que podem ser acidentalmente cortados pela ferramenta.

UTILIZAÇÃO E CUIDADOS DA FERRAMENTA COM A BATERIA

- **Recarregue apenas com o carregador especificado pelo fabricante.** Um carregador que seja adequado a um tipo de bateria pode criar um risco de incêndio quando usado com outra bateria.
- **Use ferramentas elétricas apenas com as baterias especificamente designadas.** A utilização de outras baterias pode criar um risco de lesão e incêndio.
- **Quando não usar a bateria, mantenha-a afastada de outros objetos de metais, como cliques de papel, moedas, chaves, pregos, parafusos ou outros pequenos objetos de metal que possam fazer a ligação entre os dois terminais.** Colocar os terminais da bateria em curto-circuito pode dar origem a queimaduras ou fogo.
- **Sob condições abusivas, pode ser ejetado líquido da bateria; evite o contacto. Se ocorrer contacto acidentalmente, lave com água corrente. Se o líquido entrar em contacto com os olhos, procure ajuda médica.** O líquido ejetado da bateria pode provocar irritação ou queimaduras.
- **Não use a bateria nem a ferramenta se estiverem danificadas ou modificadas.** Baterias danificadas ou modificadas podem apresentar comportamentos imprevisíveis, dando origem a fogo, explosão ou risco de lesões.
- **Não exponha a bateria ou a ferramenta ao fogo ou temperatura excessiva.** A exposição ao fogo ou a temperaturas acima dos 100 °C pode causar uma explosão.
- **Siga todas as instruções de carregamento e não carregue a bateria nem a ferramenta a uma temperatura fora dos parâmetros especificados nas instruções.** Carregar incorretamente ou a temperaturas fora dos parâmetros especificados pode danificar a bateria e aumentar o risco de fogo.

REPARAÇÃO

- **A manutenção da sua ferramenta elétrica deverá ser sempre efetuada por pessoas qualificadas, utilizando apenas peças sobresselentes idênticas.** Tal irá assegurar que a segurança da ferramenta elétrica é mantida.
- **Nunca tente reparar uma bateria danificada.** A reparação das baterias só deverá ser efetuada pelo fabricante ou por um reparador autorizado.

⚠ AVISO: Leia todos os avisos de segurança, instruções, ilustrações e especificações fornecidas com esta ferramenta elétrica. Não seguir todas as instruções apresentadas abaixo pode resultar em choque elétrico, incêndio e/ou lesões graves. Guarde todos os avisos e instruções para futuras referências.

Guarde todos os avisos e instruções para futuras referências.

TREINO

- Leia atentamente o manual de instruções. Familiarize-se com os controlos e utilização adequada deste equipamento.
- Nunca permita que pessoas ou crianças que não estejam familiarizadas com as instruções utilizem o aparelho. Há a possibilidade de existirem regulamentos locais que restrinjam a idade do operador.
- Tenha em conta que o operador ou utilizador é o responsável por acidentes ou perigos que ocorram a outras pessoas ou à sua propriedade.

PREPARAÇÃO

- Nunca utilize o aparelho com pessoas, especialmente crianças ou animais por perto.
- Utilize sempre proteção ocular e calçado resistente enquanto utiliza a máquina.
- A distância entre a máquina e terceiros deve ser de pelo menos 15 m.
- Nunca utilize a máquina quando o operador estiver cansado, doente ou sob a influência de álcool ou outras drogas.

FUNCIONAMENTO

- Use a máquina apenas à luz do dia ou com boa luz artificial.
- Nunca utilize a máquina com proteções danificadas ou sem as proteções montadas.
- Ligue o motor apenas quando as mãos e pés estiverem afastados de meios de corte.
- Desligue sempre a máquina da alimentação (retire a bateria).
 - Sempre que deixe a máquina sem supervisão;
 - Antes de limpar uma peça bloqueada;
 - Antes de inspecionar, limpar ou efetuar trabalhos na máquina;
 - Após bater num objeto estranho;
 - Sempre que a máquina comece a vibrar anormalmente.

- Tenha cuidado para não se magoar nos pés nem nas mãos durante o corte.
- Certifique-se sempre de que as aberturas de ventilação são mantidas sem lixo.

MANUTENÇÃO E ARRUMAÇÃO

- Desligue a máquina da alimentação (retire a bateria) antes de efetuar quaisquer trabalhos de manutenção ou de limpeza.
- Utilize apenas peças sobresselentes e acessórios recomendados pelo fabricante.
- Inspeccione e efetue a manutenção da máquina com regularidade. A máquina só pode ser reparada por um reparador autorizado.
- Quando não em uso, armazene a máquina fora do alcance das crianças.

AVISOS ADICIONAIS DE SEGURANÇA

- **Evite ambientes perigosos.** Não utilize aparelhos em locais húmidos ou molhados.
- **Mantenha as proteções no lugar e em bom estado de funcionamento.**
- **Mantenha as mãos e pés afastados da área de corte.**
- **Para reduzir o risco de lesões, nunca trabalhe em cima de uma escada ou noutro suporte inseguro. Nunca segure a unidade de corte acima da altura da cintura.**
- **Verifique regularmente a unidade de corte durante a utilização ou imediatamente após reparar nalguma alteração no comportamento de corte.**
- **Para melhores resultados, a sua bateria deverá ser carregada num local onde a temperatura seja superior a 5 °C e inferior a 40 °C.** Não guarde no exterior nem dentro de veículos.
- **Se alguém se aproximar, desligue o motor e a unidade de corte.**
- **Avise o operador do perigo de impulso da lâmina (usar apenas com lâminas de 3 dentes).**
 - O impulso da lâmina pode ocorrer quando a lâmina giratória entrar em contacto com um objeto que não corte imediatamente.
 - O impulso da lâmina pode ser suficientemente violento para fazer com que a unidade e/ou operador seja ressaltado em qualquer direção e possivelmente perca o controlo da unidade.
 - O impulso da lâmina pode ocorrer sem aviso, caso a lâmina bata, fique presa ou limitada.

- O impulso é mais provável em áreas onde seja difícil ver o material a ser cortado.
- **Não fixe qualquer lâmina numa unidade sem a instalação adequada de todas as peças necessárias. Não usar as peças adequadas pode fazer com que a lâmina se solte e lesione seriamente o operador e/ou outras pessoas. Elimine as lâminas dobradas, torcidas, rachadas, partidas ou danificadas de algum modo. Use uma lâmina afiada. Uma lâmina que não esteja afiada tem mais probabilidades de ficar presa e sofrer um impulso (use apenas lâminas com 3 dentes).**
- **Uma lâmina/linha solta pode causar lesões enquanto continua a girar após o motor parar ou libertar o gatilho. Mantenha o controlo adequado até que a lâmina/linha pare de rodar por completo.**
- **As ferramentas que funcionam a bateria não têm de ser ligadas a uma tomada. Assim, estão sempre em estado de funcionamento.** Tenha cuidado com possíveis perigos quando o aparelho não estiver a funcionar. Tenha cuidado quando efetuar a manutenção ou reparações.
- **Não lave com uma mangueira. Evite que entre água no motor e nas ligações elétricas.**
- **Se ocorrerem situações que não sejam abrangidas por este manual, tenha cuidado e faça uso do bom senso. Contacte o centro de reparação da EGO para obter assistência.**
- **Utilize apenas com as baterias e carregadores listados na imagem A.**

GUARDE ESTAS INSTRUÇÕES!

ESPECIFICAÇÕES

Mecanismo de corte	Cabeça de choque
Diâmetro da linha	Linha torcida de nylon de 2,4 mm
Largura de corte	38 cm
Velocidade sem carga	5000/6000 min ⁻¹
Peso (sem a bateria)	1,59 kg
Temperatura de funcionamento recomendada	0°C-40°C
Temperatura de armazenamento recomendada	-20°C-70°C
Nível de potência do som medido L _{WA}	94,6 dB(A) K=1,80 dB(A)

Nível da pressão do som no ouvido do operador L _{PA}	83,2 dB(A) K=3 dB(A)	
Nível de potência acústica garantido L _{WA} (medido de acordo com 2000/14/CE)	96 dB(A)	
Vibração a _h :	Pega dianteira	1,1 m/s ² K=1,5 m/s ²
	Pega traseira	1,4 m/s ² K=1,5 m/s ²

PT

- As definições apresentadas anteriormente são testadas e medidas equipadas com a cabeça motora PH1400E.
- O valor total declarado da vibração foi medido de acordo com um método de teste padrão e pode ser usado para comparar duas ferramentas;
- O valor total declarado da vibração também pode ser usado numa avaliação preliminar da exposição.

AVISO: A emissão de vibrações durante a utilização da ferramenta elétrica pode diferir do valor declarado em que a ferramenta é usada. De modo a proteger o utilizador, este deverá utilizar luvas e proteção auditiva nas condições atuais de utilização.

LISTA DE PEÇAS

NOME DA PEÇA	QUANTIDADE
Acessório da roçadora	1
Proteção	1
Chave hexagonal	1
Chave multifunções	1
Manual de funcionamento	1

Relativamente à linha de corte recomendada, visite o website egopowerplus.com ou consulte o Catálogo dos Produtos EGO.

DESCRIÇÃO

CONHEÇA O SEU ACESSÓRIO DA ROÇADORA DE LINHA (Imagem A)

1. Tampão da extremidade
2. Eixo da roçadora
3. Linha de corte
4. Cabeça de choque (cabeça de corte)
5. Aba de libertação
6. Lâmina de corte do fio

7. Proteção
8. Chave sextavada
9. Chave multifunções

⚠️ AVISO: Nunca utilize o aparelho sem a proteção bem colocada. A proteção tem de estar sempre no aparelho para proteger o utilizador.

PT

MONTAR

⚠️ AVISO: Se quaisquer peças estiverem danificadas ou em falta não utilize este produto até as peças serem substituídas. Utilizar este produto com peças danificadas ou em falta pode dar origem a lesões pessoais sérias.

⚠️ AVISO: Não tente modificar este produto nem criar acessórios que não sejam recomendados para utilizar com este aparador de fio. Qualquer alteração ou modificação é considerada uma má utilização e pode dar origem a perigos, que podem levar a possíveis lesões pessoais sérias.

⚠️ AVISO: Não ligue à cabeça motora até que a montagem esteja completa. Se não o fizer, pode originar um arranque acidental e possíveis lesões pessoais sérias.

MONTAGEM DA PROTEÇÃO

⚠️ AVISO: Use sempre luvas quando montar ou substituir a proteção. Tenha cuidado com a lâmina na proteção e proteja as suas mãos de lesões devido à lâmina.

Solte e retire os dois parafusos da base do eixo (Fig. C), alinhe os orifícios de montagem da proteção com os orifícios de montagem e, depois, bloqueie a proteção na base do eixo com dois parafusos, juntamente com duas anilhas de pressão (Fig. D).

Certifique-se de que a proteção está fixada de acordo com a Fig. C e D, qualquer fixação inversa irá provocar um grande perigo!

LIGAR O ACESSÓRIO DA ROÇADORA À CABEÇA MOTORA

Este acessório da roçadora foi criado para ser usado com a cabeça motora EGO PH1400E.

Consulte a secção “**INSTALAR UM ACESSÓRIO NA CABEÇA MOTORA**” no manual de utilização da cabeça motora PH1400E.

FUNCIONAMENTO

⚠️ AVISO: Não deixe que a sua familiaridade com o produto o torne descuidado. Lembre-se, uma fração de segundo de desatenção é suficiente para infligir ferimentos graves.

⚠️ AVISO: Utilize sempre proteção ocular, juntamente com proteção auricular. Se não o fizer, pode apanhar com objetos nos olhos, dando origem a possíveis lesões sérias.

APLICAÇÕES

Pode utilizar este produto para os objetivos abaixo listados:

- Aparar relva e ervas em redor de varandas, vedações e cobertas.

AVISO: A ferramenta tem de ser usada apenas conforme descrito. Qualquer outra utilização será considerada má utilização.

Antes de cada utilização, verifique se existem peças gastas ou danificadas.

Verifique a cabeça da roçadora, proteção e pega auxiliar dianteira e substitua as peças rachadas, torcidas, dobradas ou danificadas de algum modo.

A lâmina para cortar a linha na extremidade da proteção pode deixar de ficar afiada com o passar do tempo. Recomendamos que afie periodicamente com uma lima ou que a substitua por uma lâmina nova.

⚠️ AVISO: Utilize sempre luvas quando montar ou substituir a proteção ou afiar ou substituir a lâmina. Tenha em conta a localização da lâmina e proteja a sua mão contra lesões.

⚠️ AVISO: Para evitar lesões pessoais sérias, retire a bateria da cabeça motora antes da reparação, limpeza, mudança de acessórios ou remoção de material da unidade.

USAR O ACESSÓRIO DA ROÇADORA COM A CABEÇA MOTORA

⚠️ AVISO: Vista-se adequadamente para reduzir o risco de lesões quando utilizar este aparelho. Não utilize roupa larga ou jóias. Use proteções oculares e auditivas. Use calças compridas e resistentes, mangas compridas, botas e luvas. Não utilize roupa curta, sandálias nem ande descalço.

⚠️ AVISO: Limpe a área a cortar antes de cada utilização. Retire todos os objetos, como pedras, vidro partido, pregos, arames ou fios que possam ser atirados ou ficar presos no acessório de corte. Afaste as crianças, terceiros e animais. No mínimo, mantenha as crianças, terceiros e animais a um raio de 15 metros. Poderá continuar a haver um risco para as pessoas devido aos objetos que possam ser atirados. As outras pessoas deverão ser encorajadas a usar proteção ocular. Se alguém se aproximar, desligue imediatamente o motor e o acessório de corte.

Por razões de segurança e para um melhor funcionamento, coloque a alça para os ombros. Ajuste a alça numa posição de funcionamento confortável. Segure a roçadora com uma mão na pega traseira e a outra mão na pega auxiliar dianteira. Agarre firmemente com ambas as mãos durante a utilização. Deve segurar a roçadora numa posição confortável, mantendo a pega traseira sensivelmente à altura da anca. A cabeça da roçadora deverá estar paralela ao chão e entrar facilmente em contacto com o material a ser cortado sem que o operador tenha de se dobrar (Imagem B).

AVISO: A alça para o ombro é também um mecanismo de libertação rápida em situações perigosas. Quando ocorre uma emergência, retire-a imediatamente do seu ombro, não importa o modo como a alça se encontra.

Após cada utilização, limpe a roçadora.

Consulte a secção **MANUTENÇÃO** para obter instruções de limpeza.

LIGAR/DESLIGAR A FERRAMENTA

Consulte a secção **"LIGAR/DESLIGAR A CABEÇA MOTORA"** no manual de utilização da cabeça motora PH1400E.

AJUSTAR O COMPRIMENTO DA LINHA DE CORTE

A cabeça da roçadora permite ao operador libertar mais linha de corte sem parar o motor. À medida que a linha fica gasta, pode libertar mais linha, batendo ligeiramente a cabeça da bobina no chão enquanto utiliza a roçadora (Imagem E).

AVISO: A libertação da linha irá ser mais difícil pois a linha começa a ficar mais curta.

AVISO: Não retire nem altere o conjunto da lâmina de corte da linha. Uma linha com um comprimento excessivo faz o motor sobreaquecer e pode dar origem a lesões pessoais sérias.

SUBSTITUIÇÃO DA LINHA

AVISO: Use sempre a linha de corte de nylon recomendada, com um diâmetro que não exceda 2,4 mm. Usar a linha com outros intuitos pode fazer com que a roçadora sobreaqueça ou fique danificada.

AVISO: Nunca use linha de metal reforçado, arame, corda, etc. Estas podem partir e tornarem-se projéteis perigosos.

1. Retire a bateria.
2. Retire a linha de corte restante, se necessário. Basta puxá-la à mão para fora.

3. Corte a linha de corte com 4m, insira a linha no orifício de fixação no interior do ilhó (Imagem F). Pressione e puxe a linha a partir do outro lado, até que apareçam quantidades iguais de linha em ambos os lados da bobina.
4. Pressione, enquanto roda o fixador da bobina na direção da seta, para enrolar a linha na bobina até que apareçam cerca de 14 cm de linha em cada lado (Imagem G).
5. Pressione o fixador da bobina para baixo enquanto puxa as linhas para avançar manualmente a linha e verificar a montagem correta da cabeça da roçadora.

Quando a linha de corte se partir na saída da linha, ou não for libertada quando bater com a cabeça da roçadora, siga os passos apresentados em baixo:

1. Retire a bateria.
2. Prima as abas de libertação no fixador da bobina e retire o fixador da bobina puxando a direita (Imagem H e I).
3. Retire a linha de corte do fixador da bobina.
4. Enquanto segura a base da bobina com uma mão, use a outra mão para segurar o fixador da bobina e alinhar as abas no fixador da bobina com os orifícios na base da bobina (Imagem J). Use a palma da mão para pressionar e rodar o fixador da bobina para a esquerda e para a direita até que as abas fiquem fixadas na base da bobina (Imagem K).
5. Siga as instruções em **"SUBSTITUIÇÃO DA LINHA"** para recarregar a linha de corte.

Quando planear usar a ferramenta como moto-roçadora, siga os passos apresentados na Imagem L e M apresentadas, para desmontar a cabeça de aparar.

MANUTENÇÃO

AVISO: Antes de inspecionar, limpar ou reparar a unidade, pare o motor, espere que todas as peças móveis parem por completo e retire a bateria. O não seguimento destas instruções pode dar origem a lesões corporais sérias ou danos de propriedade.

AVISO: Quando fizer reparações, utilize apenas peças de substituição idênticas. A utilização de outras peças pode dar origem a perigos ou danos no produto. Para assegurar a segurança, todas as reparações para além dos itens listados nestas instruções de manutenção deverão ser efetuadas por um técnico de reparação qualificado.

MANUTENÇÃO GERAL

Evite usar solventes quando limpar peças de plástico. Grande parte dos plásticos é suscetível a danos devido a vários tipos de solventes comerciais. Use panos limpos para retirar a sujidade, pó, óleo, gordura, etc.

LIMPEZA DA UNIDADE

- Limpe qualquer gordura que possa aparecer à volta do eixo do motor ou cabeça da roçadora.
- Use uma pequena escova ou um pequeno aspirador para limpar as entradas de ar na estrutura traseira.
- Limpe a unidade com um pano ligeiramente embebido em água e um detergente neutro.
- Não use detergentes fortes na estrutura de plástico ou na pega. Estes podem ser danificados por determinados óleos aromáticos, como pinho e limão e por solventes como querosene. A humidade também pode causar um perigo de choque. Retire qualquer vestígio de humidade com um pano suave e seco.

LUBRIFICAÇÃO DOS CARRETOS DE TRANSMISSÃO

Os carretos de transmissão na caixa dos carretos têm de ser lubrificados periodicamente com lubrificante para carretos. Verifique o nível de lubrificação da caixa dos carretos a cada 50 horas de funcionamento, retirando o parafuso vedante na parte lateral da caixa.

Se não vir qualquer lubrificante nas partes laterais do carreto, siga os passos apresentados em baixo para atestar com lubrificante para carretos até 3/4 da capacidade.

Não encha completamente os carretos de transmissão.

1. Segure a roçadora de lado, de modo a que o parafuso vedante fique virado para cima .
2. Use a chave multifunções fornecida para desapertar e retirar o parafuso vedante.
3. Use uma seringa lubrificante (não incluída) para injetar algum lubrificante no orifício do parafuso. Não exceda 3/4 da capacidade.
4. Aperte o parafuso vedante após a injeção.

GUARDAR A UNIDADE

- Retire a bateria da roçadora.
- Limpe bem o aparelho antes de o guardar.
- Se o acessório da roçadora for retirado da cabeça motora e guardado em separado: Coloque o tampão da extremidade no eixo do acessório para evitar que a sujidade entre no acoplador.

- Guarde a unidade num local seco, bem ventilado, trancado ou elevado, fora do alcance das crianças. Não armazene a unidade em cima ou perto de fertilizantes, gasolina ou outros químicos.

Proteção do ambiente



Não elimine o equipamento elétrico, o carregador da bateria e as baterias/ baterias recarregáveis juntamente com o lixo doméstico comum!

De acordo com a norma europeia 2002/19/UE, o equipamento elétrico e eletrónico que deixe de ser usado e de acordo com a norma europeia 2006/66/CE, as baterias gastas ou defeituosas têm de ser recolhidas em separado.

Se os equipamentos elétricos forem eliminados em aterros ou lixeiras, substâncias perigosas podem vaziar para os lençóis freáticos e entrar na cadeia de alimentação, danificando a sua saúde e bem-estar.

RESOLUÇÃO DE PROBLEMAS

PROBLEMA	CAUSA	SOLUÇÃO
O aparador de fio não pega.	<ul style="list-style-type: none"> ■ A bateria não foi colocada na cabeça motora. ■ Não existe contacto elétrico entre a cabeça motora e a bateria. ■ A bateria está gasta. ■ A alavanca de bloqueio e o gatilho não foram premidos em simultâneo. 	<ul style="list-style-type: none"> ■ Fixe a bateria na cabeça motora. ■ Retire a bateria, verifique os contactos e volte a instalar a bateria até ficar fixada no respetivo lugar. ■ Carregue a bateria com carregadores EGO listados neste manual. ■ Prima a alavanca de bloqueio e mantenha premida, depois prima o gatilho para ligar o aparador de fio.
O aparador de fio para durante o corte.	<ul style="list-style-type: none"> ■ A proteção não está montada no aparador, fazendo com que haja um fio excessivamente comprido e o sobreaquecimento do motor. ■ Está a utilizar um fio de corte muito pesado. ■ O eixo do motor ou a cabeça do aparador estão cheios de relva. ■ O motor está sobrecarregado. ■ A bateria ou aparador de fio estão muito quentes. ■ A bateria foi retirada da ferramenta. ■ A bateria está gasta. 	<ul style="list-style-type: none"> ■ Retire a bateria e monte a proteção no aparador. ■ Use a linha de corte de nylon recomendada com um diâmetro nunca superior a 2,4 mm. ■ Pare o aparador, retire a bateria e retire a relva do eixo do motor e da cabeça do aparador. ■ Retire a cabeça do aparador da relva. O motor volta a funcionar mal a carga seja retirada. Quando cortar, mova a cabeça do aparador para um lado e para o outro na relva a ser cortada e nunca retire mais de 20 cm num único corte. ■ Deixe a bateria ou aparador arrefecer até que a temperatura atinja menos de 67°C . ■ Volte a colocar a bateria. ■ Carregue a bateria com carregadores EGO listados neste manual.

PT

PROBLEMA	CAUSA	SOLUÇÃO
A cabeça do aparador não faz o fio avançar.	<ul style="list-style-type: none"> ■ O eixo do motor ou a cabeça do aparador estão cheios de relva. ■ Não tem linha suficiente na bobina. ■ A cabeça do aparador está suja. ■ O fio está entrelaçado no fixador da bobina. ■ O fio é demasiado curto. 	<ul style="list-style-type: none"> ■ Pare o aparador, retire a bateria e retire a relva do eixo do motor e da cabeça do aparador. ■ Retire a bateria e substitua o fio de corte. Siga a secção “SUBSTITUIÇÃO DO FIO” neste manual. ■ Retire a bateria e limpe a bobina, fixador da bobina e base da bobina. ■ Retire a bateria, retire o fio da bobina e enrolle. Siga a secção “SUBSTITUIÇÃO DO FIO” neste manual. ■ Retire a bateria e puxe as linhas enquanto prime alternadamente e liberte o manípulo de choque.
A relva enrola-se à volta da cabeça do aparador e da estrutura do motor.	<ul style="list-style-type: none"> ■ Cortar relva alta ao nível do solo. 	<ul style="list-style-type: none"> ■ Corte erva alta do topo até baixo, nunca retirando mais de 20 cm em cada passo, para evitar que a erva se enrolle.
A lâmina não está a cortar o fio.	<ul style="list-style-type: none"> ■ A lâmina de corte do fio na extremidade da proteção deixou de estar afiada. 	<ul style="list-style-type: none"> ■ Afie a lâmina de corte do fio com uma lima, ou substitua por uma lâmina nova.
Existem rachas na cabeça do aparador ou o fixador da bobina solta-se da base da bobina.	<ul style="list-style-type: none"> ■ A cabeça do aparador está gasta. 	<ul style="list-style-type: none"> ■ Substitua imediatamente a cabeça da roçadora. Siga a secção “SUBSTITUIÇÃO DA CABEÇA DA ROÇADORA” neste manual.
Durante a substituição do fio, este não é carregado corretamente para a cabeça do aparador.	<ul style="list-style-type: none"> ■ Os fios CARREGADOS do fixador da bobina não ficam alinhados com os ilhós na base da bobina. ■ O fio não foi inserido corretamente no orifício de fixação no ilhó. 	<ul style="list-style-type: none"> ■ Rode o fixador da bobina na direção da seta para alinhar o fio CARREGADO no fixador da bobina com os ilhós na base da bobina. ■ Alinhe primeiro o fio CARREGADO com os ilhós, depois insira o fio no orifício de fixação dentro do ilhó.

GARANTIA

POLÍTICA DE GARANTIA EGO

Por favor, visite o website egopowerplus.com para saber todos os termos e condições da política de garantia EGO.

LEGGERE TUTTE LE ISTRUZIONI!



LEGGERE IL MANUALE DI ISTRUZIONI

⚠ Rischio residui! Le persone portatrici di dispositivi elettronici, ad esempio pacemaker, devono consultare il proprio medico prima di usare questo prodotto. L'utilizzo di apparecchi elettrici in prossimità di pacemaker cardiaci comporta il rischio di interferenze o malfunzionamento del pacemaker.

⚠ AVVERTENZA! Per garantire sicurezza e affidabilità, tutte le riparazioni e sostituzioni devono essere eseguite da un tecnico qualificato.

SIMBOLI DI SICUREZZA

Lo scopo dei simboli di sicurezza è attirare l'attenzione dell'operatore su possibili pericoli. I simboli di sicurezza e le relative spiegazioni richiedono la massima attenzione e comprensione da parte dell'operatore. Le avvertenze espresse dai simboli, da sole, non eliminano tutti i rischi. Le istruzioni e le avvertenze non sostituiscono le adeguate misure di prevenzione contro gli incidenti.

⚠ AVVERTENZA! Accertarsi di aver letto e compreso tutte le istruzioni di sicurezza in questo manuale, inclusi tutti i simboli di avvertenza come "PERICOLO", "AVVERTENZA" e "ATTENZIONE", prima di usare questo apparecchio. Il mancato rispetto di tutte le istruzioni riportate di seguito comporta il rischio di scossa elettrica, incendio e/o lesioni gravi.

SIGNIFICATO DEI SIMBOLI

⚠ SIMBOLO DI AVVERTENZA: indica PERICOLO, AVVERTENZA o ATTENZIONE; può essere usato in combinazione con altri simboli o icone.



⚠ AVVERTENZA! L'uso di apparecchi elettrici può causare il lancio di oggetti estranei verso l'operatore, con il rischio di gravi lesioni agli occhi. Durante l'uso dell'apparecchio, indossare sempre occhiali protettivi o occhiali di sicurezza con protezioni laterali e, se necessario, una maschera facciale. Si consiglia di indossare una maschera di sicurezza con ampio campo visivo sopra gli occhiali o gli occhiali di sicurezza standard con protezioni laterali.

ISTRUZIONI DI SICUREZZA

Questa pagina illustra e descrive i simboli di sicurezza che possono comparire sul prodotto. Leggere, comprendere e seguire tutte le istruzioni sull'apparecchio prima di tentare di assemblarlo e ripararlo.

	Avvertenza di sicurezza	Indica un potenziale rischio di infortunio.
	Leggere il manuale di istruzioni	Per ridurre il rischio di infortunio, l'utente deve leggere e comprendere tutte le istruzioni prima di usare questo prodotto.
	Indossare protezioni per gli occhi	Durante l'uso del prodotto, indossare sempre occhiali protettivi o occhiali di sicurezza con protezioni laterali e una maschera facciale.
	Indossare protezioni per le orecchie	Indossare sempre dispositivi di protezione dell'udito (tappi per orecchie o cuffie).
	Indossare protezioni per la testa	Indossare un casco di sicurezza omologato per proteggere la testa.
	Indossare guanti di sicurezza	Proteggere le mani con i guanti durante la manipolazione della lama o della protezione parasassi. Guanti robusti e antiscivolo migliorano la presa e proteggono le mani dell'operatore.
	Indossare calzature di sicurezza	Indossare calzature di sicurezza antiscivolo durante l'uso di questo apparecchio.
	Ampiezza di taglio	Ampiezza di taglio max. del decespugliatore
	Diametro filo	Diametro del filo di taglio in nylon
	Non usare lame rotonde	Non installare lame rotonde.

IT

	Tenere lontane le altre persone	Assicurarsi che eventuali altre persone e animali rimangano ad almeno 15m di distanza dall'apparecchio quando è in funzione.
	Tenere lontane le altre persone	Assicurarsi che eventuali altre persone e animali rimangano ad almeno 15m di distanza dall'apparecchio quando è in funzione.
	Non esporre alla pioggia	Non usare l'apparecchio in caso di pioggia e non lasciarlo all'aperto quando piove.
	CE	Questo prodotto è conforme alle direttive europee applicabili.
	RAEE	I prodotti elettrici non devono essere smaltiti insieme ai rifiuti domestici. Portarli presso un centro di riciclaggio autorizzato.
	Rumore	Livello di potenza sonora garantito. Emissione di rumore nell'ambiente conforme alla direttiva dell'Unione europea.
V	Volts	Voltaggio
mm	Millimetro	Lunghezza o dimensioni
cm	Centimetro	Lunghezza o dimensioni
kg	Chilogrammo	Peso

AVVERTENZE DI SICUREZZA COMUNI A TUTTI GLI UTENSILI ELETTRICI

⚠ AVVERTENZE Leggere tutte le avvertenze di sicurezza, istruzioni, illustrazioni e specifiche fornite insieme a questo utensile elettrico. Il mancato rispetto delle istruzioni sotto riportate comporta il rischio di scossa elettrica, incendio e/o gravi infortuni.

Conservare tutte le avvertenze e le istruzioni per futuro riferimento.

Il termine "utensile elettrico" nelle avvertenze si riferisce a un utensile elettrico alimentato da una rete

elettrica (con cavo) o a batterie (senza cavo).

SICUREZZA DELL'AREA DI LAVORO

- Mantenere l'area di lavoro pulita e ben illuminata. Aree ingombre e ombreggiate favoriscono gli incidenti.
- Non usare gli utensili elettrici in atmosfere esplosive, ad esempio in presenza di liquidi, gas o polveri infiammabili. Gli utensili elettrici creano scintille che possono incendiare polveri o fumi.
- Tenere eventuali altre persone e bambini lontane durante l'uso di un utensile elettrico. Le distrazioni comportano il rischio di perdita di controllo.

SICUREZZA PERSONALE

- **Durante l'uso di un utensile elettrico, prestare sempre la massima attenzione e utilizzare il buon senso. Non usare un utensile elettrico se si è stanchi o sotto l'effetto di droghe, alcol o farmaci.** Un solo attimo di disattenzione durante l'uso dell'utensile elettrico può provocare gravi infortuni.
- **Indossare attrezzatura di protezione. Indossare sempre protezioni per gli occhi.** Se le condizioni lo richiedono, indossare anche maschere antipolveri, calzature antiscivolo, caschi o protezioni per le orecchie per ridurre il rischio di infortunio.
- **Prevenire l'avvio accidentale. Assicurarsi che l'interruttore sia in posizione di spegnimento prima di sollevare, trasportare o collegare l'utensile elettrico alla presa di corrente e/o alla batteria.** Per ridurre il rischio di incidenti, non trasportare gli utensili elettrici tenendo le dita sull'interruttore e non collegarli alla presa di corrente se l'interruttore è in posizione di accensione.
- **Rimuovere eventuali chiavi di serraggio prima di accendere l'utensile elettrico.** Una chiave di serraggio rimasta inserita in un elemento mobile dell'utensile elettrico può provocare infortuni.
- **Non allungarsi eccessivamente. Tenere i piedi a contatto con il pavimento e mantenere sempre l'equilibrio.** Ciò permette di avere un maggiore controllo dell'utensile elettrico in caso di imprevisti.
- **Vestirsi adeguatamente. Non indossare indumenti ampi o gioielli. Tenere i capelli, gli indumenti e le mani lontano dalle parti mobili.** Indumenti ampi, gioielli o capelli lunghi possono rimanere impigliati nelle parti in movimento.
- **Se sono presenti dispositivi di aspirazione e trattenimento delle polveri, assicurarsi che siano collegati e usati correttamente.** Tali dispositivi possono ridurre i rischi legati alle polveri.
- **Non lasciare che la familiarità con l'apparecchio (derivata da un uso frequente) abbassi il livello**

di attenzione. Anche una minima distrazione può causare gravi infortuni.

USO E MANUTENZIONE DELL'UTENSILE ELETTRICO

- **Non forzare l'utensile elettrico. Utilizzare l'utensile più adatto al lavoro da svolgere.** L'utensile elettrico è più sicuro ed efficace se utilizzato alla velocità per la quale è stato progettato.
- **Non usare l'utensile elettrico se l'interruttore non funziona correttamente.** Un utensile elettrico che non può essere controllato dall'interruttore è pericoloso e deve essere riparato.
- **Riporre gli utensili elettrici fuori dalla portata dei bambini e non permetterne l'uso a persone che non hanno familiarità con l'apparecchio o con queste istruzioni.** Gli utensili elettrici sono pericolosi se utilizzati da persone non competenti.
- **Mantenere gli utensili elettrici e gli accessori in buono stato. Verificare che le parti mobili non siano disallineate o piegate, che i componenti non siano danneggiati e che non siano presenti altri problemi che potrebbero pregiudicare il corretto funzionamento dell'utensile elettrico. Se l'utensile elettrico è danneggiato, farlo riparare prima di utilizzarlo nuovamente.** Molti incidenti sono provocati da utensili elettrici in cattive condizioni.
- **Mantenere gli utensili di taglio puliti e affilati.** Un'adeguata manutenzione degli accessori da taglio con bordi affilati riduce l'adesione del materiale alle lame e facilita il controllo dell'utensile elettrico.
- **Usare l'utensile elettrico, gli accessori, le punte ecc. conformemente a queste istruzioni, tenendo conto delle condizioni dell'area di lavoro e del tipo di lavoro da svolgere.** L'uso dell'utensile elettrico per scopi diversi da quelli per i quali è stato progettato costituisce un pericolo.
- **Tenere le impugnature e le superfici di presa asciutte, pulite e prive di olio o grasso.** Impugnature e superfici di presa scivolose non garantiscono l'uso sicuro e il controllo dell'utensile in situazioni impreviste.
- **Tenere i cavi elettrici lontani dall'area di lavoro.** Durante l'uso dell'apparecchio, i cavi possono essere nascosti e venire danneggiati dall'utensile.

USO E MANUTENZIONE DELLA BATTERIA

- **Ricaricare l'utensile elettrico utilizzando esclusivamente il caricabatteria specificato dal costruttore.** Un caricabatteria adatto a un certo tipo di gruppo batteria può comportare il rischio di incendio se usato con un altro gruppo batteria.
- **Usare esclusivamente gruppi batteria progettati**

specificamente per questo utensile elettrico. L'uso di altri gruppi batteria comporta il rischio di incendio e infortunio.

- **Quando il gruppo batteria non è in uso, tenerlo lontano da piccoli oggetti metallici, ad esempio graffette, monete, chiavi, chiodi, viti ecc. poiché potrebbero creare un collegamento tra i due terminali.** Il cortocircuito dei terminali della batteria comporta il rischio di incendio o ustioni.
- **L'utilizzo improprio dell'utensile elettrico può causare fuoriuscite di liquido dalla batteria: evitare il contatto con tale liquido. In caso di contatto accidentale, lavare con acqua. Se il liquido entra a contatto con gli occhi, contattare un medico.** Il liquido fuoriuscito dalla batteria può causare irritazioni o ustioni.
- **Non usare gruppi batteria o utensili danneggiati o modificati.** Le batterie danneggiate o modificate possono manifestare comportamenti imprevisti, con il rischio di incendio, esplosione o infortunio.
- **Non esporre il gruppo batteria o l'utensile a fiamme o temperature eccessive.** L'esposizione a fiamme o temperature superiori a 100°C comporta il rischio di esplosione.
- **Rispettare tutte le istruzioni relative alla ricarica e non ricaricare il gruppo batteria o l'utensile a temperature diverse da quelle specificate nelle istruzioni.** Una ricarica eseguita in modo improprio o a temperature diverse da quelle specificate può danneggiare la batteria e aumentare il rischio di incendio.

IT

RIPARAZIONI

- **Affidare la riparazione dell'utensile a personale qualificato e utilizzare esclusivamente parti di ricambio identiche.** Ciò garantisce la sicurezza dell'utensile elettrico.
- **Non riparare gruppi batteria danneggiati.** La riparazione dei gruppi batteria deve essere effettuata esclusivamente dal fabbricante o da un centro di assistenza autorizzato.

⚠ AVVERTENZA! Leggere tutte le avvertenze di sicurezza, istruzioni, illustrazioni e specifiche fornite insieme a questo utensile elettrico. Il mancato rispetto delle istruzioni sotto riportate comporta il rischio di scossa elettrica, incendio e/o gravi infortuni. Conservare tutte le avvertenze e le istruzioni per futuro riferimento.

Conservare tutte le avvertenze e le istruzioni per futuro riferimento.

FORMAZIONE ALL'USO

- Leggere attentamente le istruzioni. Familiarizzare con tutti

i comandi e l'uso corretto della macchina.

- Non consentire l'uso dell'apparecchio a bambini o persone che non hanno letto queste istruzioni. Le normative locali possono limitare l'uso in base all'età dell'operatore.
- Tenere presente che l'operatore o utente è responsabile per incidenti o rischi causati ad altre persone o proprietà.

PREPARAZIONE

- Non azionare mai l'apparecchio se sono presenti persone, soprattutto bambini, o animali nelle vicinanze.
- Indossare sempre dispositivi di protezione per gli occhi e scarpe robuste durante l'uso dell'apparecchio.
- La distanza tra l'apparecchio e le altre persone presenti deve essere almeno 15 metri.
- Non usare l'apparecchio se si è stanchi, malati o sotto l'effetto di alcol, droghe o medicinali.

UTILIZZO

- Usare l'apparecchio solo alla luce del giorno o con una buona illuminazione artificiale.
- Non usare l'apparecchio se la protezione parasassi o altri dispositivi di sicurezza sono danneggiati o mancanti.
- Accendere il motore esclusivamente quando mani e piedi sono lontani dall'accessorio di taglio.
- Scollegare l'apparecchio dalla fonte di alimentazione (ad es. rimuovere il gruppo batteria):
 - prima di lasciare l'apparecchio incustodito;
 - prima di eliminare un'ostruzione;
 - prima di controllare, pulire o eseguire lavori sull'apparecchio;
 - dopo aver urtato un oggetto estraneo;
 - se l'apparecchio comincia a vibrare in modo anomalo.
- Fare attenzione a evitare lesioni a mani e piedi dovute all'accessorio di taglio.
- Verificare sempre che le aperture di ventilazione siano prive di detriti.

MANUTENZIONE E CONSERVAZIONE

- Scollegare l'apparecchio dalla fonte di alimentazione (ovvero rimuovere il gruppo batteria) prima di effettuare le operazioni di manutenzione o pulizia.
- Usare esclusivamente accessori e parti di ricambio originali.
- Ispezionare l'apparecchio ed effettuare la manutenzione regolarmente. Affidare la riparazione dell'apparecchio esclusivamente a personale

autorizzato.

- Quando l'apparecchio non è in uso, riportarlo fuori dalla portata dei bambini.

AVVERTENZE DI SICUREZZA AGGIUNTIVE

- **Evitare gli ambienti pericolosi.** Non usare l'apparecchio in ambienti umidi o bagnati.
- **Mantenere la protezione parasassi dell'apparecchio installata e in buono stato.**
- **Tenere mani e piedi lontani dall'area di taglio.**
- **Per ridurre il rischio di infortunio, non lavorare mai su scale o su altri supporti instabili. Non tenere mai l'unità di taglio sopra l'altezza della vita.**
- **Ispezionare l'unità di taglio a brevi e regolari intervalli durante l'uso o immediatamente dopo aver rilevato un evidente cambiamento nell'efficienza di taglio.**
- **Per i migliori risultati, ricaricare la batteria in locali in cui la temperatura è superiore a 5°C e inferiore a 40°C.** Non conservarla all'aperto o all'interno di veicoli.
- **Se un'altra persona si avvicina, arrestare immediatamente il motore e l'unità di taglio.**
- **Fare attenzione al pericolo di contraccolpo della lama (solo per lame a 3 denti).**
 - Il contraccolpo della lama può verificarsi quando la lama in movimento entra a contatto con un oggetto che non riesce a tagliare immediatamente.
 - Il contraccolpo della lama può essere così violento da spingere l'unità e/o l'operatore in qualsiasi direzione, causando la perdita di controllo dell'unità.
 - Il contraccolpo della lama può verificarsi senza preavviso se la lama si inceppa, si blocca o si piega.
 - Il contraccolpo può verificarsi maggiormente in aree in cui è difficile vedere il materiale da tagliare.
- **Non fissare alcuna lama all'unità senza aver installato correttamente tutti i componenti necessari. Il mancato utilizzo dei componenti corretti può causare il distacco della lama, con il conseguente rischio di lesioni per l'operatore e/o le persone presenti. Gettare lame piegate, deformate, incrinata, rotte o danneggiate in qualsiasi modo. Usare una lama affilata. Una lama smussata ha più probabilità di incepparsi e causare contraccolpi (solo per lame a 3 denti).**
- **La lama/il filo di taglio può causare lesioni anche dopo l'arresto del motore o il rilascio dell'interruttore a grilletto perché continua a ruotare. Mantenere il controllo dell'apparecchio finché la lama/il filo di taglio non si ferma completamente.**

- **Gli apparecchi a batteria non hanno bisogno di essere collegati a un impianto elettrico; pertanto sono sempre in condizioni operative.** Tenere a mente i possibili rischi anche quando l'apparecchio non è in funzione. Prestare attenzione durante le operazioni di manutenzione o riparazione.
- **Non pulire l'apparecchio con tubi per innaffiare; evitare le infiltrazioni d'acqua nel motore e nelle connessioni elettriche.**
- **In caso di situazioni non contemplate in questo manuale, agire con cautela e usare il buon senso. Contattare il centro di assistenza EGO per assistenza.**
- **Usare esclusivamente con i gruppi batteria e i caricabatteria elencati in fig. A.**

CONSERVARE QUESTE ISTRUZIONI!

SPECIFICHE TECNICHE

Meccanismo di taglio	Testa di rilascio del filo mediante pressione	
Diametro filo	Filo in nylon attorcigliato 2,4 mm	
Ampiezza di taglio	38 cm	
Velocità a vuoto	5000/6000 min ⁻¹	
Peso (senza gruppo batteria)	1,59 kg	
Temperatura di esercizio raccomandata	0°C-40°C	
Temperatura di conservazione raccomandata	-20°C-70°C	
Livello di potenza sonora misurato L _{WA}	94,6 dB(A) K=1,80 dB(A)	
Livello di pressione sonora a livello dell'orecchio dell'operatore L _{PA}	83,2 dB(A) K=3 dB(A)	
Livello di potenza sonora garantito L _{WA} (misurato conformemente a 2000/14/EC)	96 dB(A)	
Vibrazioni a _h	Impugnatura anteriore ausiliaria	1,1 m/s ² K=1,5 m/s ²
	Impugnatura posteriore	1,4 m/s ² K=1,5 m/s ²

- I parametri sopra riportati sono stati collaudati e misurati in combinazione con la testa motore PH1400E.
- Il valore totale di vibrazioni indicato è stato misurato tramite il metodo di collaudo standard e può essere utilizzato per confrontare l'apparecchio con altri prodotti analoghi.

- Il valore totale di vibrazioni indicato può essere utilizzato anche per una valutazione preliminare dei livelli di esposizione.

NOTA: L'emissione di vibrazioni durante l'uso effettivo dell'apparecchio può variare rispetto al valore indicato in base a come viene utilizzato l'utensile. Per proteggersi, l'operatore deve indossare guanti e dispositivi di protezione per le orecchie in base alle reali condizioni d'uso.

CONTENUTO DELLA CONFEZIONE

IT

DENOMINAZIONE DEL COMPONENTE	QUANTITÀ
Accessorio decespugliatore a filo	1
Protezione parasassi	1
Chiave esagonale	1
Chiave multifunzione	1
Manuale di istruzioni	1

Per il filo di taglio raccomandato, visitare il sito web egopowerplus.com o consultare il catalogo dei prodotti EGO.

DESCRIZIONE

DESCRIZIONE DEL DECESPUGLIATORE A FILO (Fig. A).

1. Cappuccio terminale
2. Asta del decespugliatore
3. Filo di taglio
4. Testa del decespugliatore (testa di taglio)
5. Linguetta di rilascio
6. Lama del filo di taglio
7. Protezione parasassi
8. Chiave esagonale
9. Chiave multifunzione

⚠ AVVERTENZA! Non usare l'apparecchio se la protezione parasassi non è posizionata correttamente e saldamente. La protezione parasassi deve essere sempre installata per proteggere l'operatore.

ASSEMBLAGGIO

⚠ AVVERTENZA! In caso di componenti danneggiati o mancanti, non usare l'apparecchio finché i componenti non vengono sostituiti. L'uso dell'apparecchio con componenti danneggiati o mancanti comporta il rischio di lesioni gravi.

AVVERTENZA! Non tentare di modificare l'apparecchio o creare accessori non raccomandati per l'uso con questo decespugliatore. Tali alterazioni o modifiche costituiscono un uso improprio e comportano condizioni pericolose e il rischio di lesioni gravi.

AVVERTENZA! Non collegare l'unità motore finché l'assemblaggio non è terminato, per evitare l'avvio accidentale e il rischio di lesioni gravi.

IT

ASSEMBLARE LA PROTEZIONE PARASASSI

AVVERTENZA! Indossare sempre i guanti durante l'installazione o la sostituzione della protezione parasassi. Fare attenzione alla lama sulla protezione parasassi e proteggere le mani dal rischio di lesioni.

Allentare e rimuovere le due viti dalla base dell'albero (Fig. C). Allineare i fori di montaggio della cuffia con i fori di assemblaggio, quindi bloccare la cuffia sulla base dell'albero con le due viti (Fig D).

Accertarsi che la cuffia sia fissata come illustrato in Fig. C e D; un fissaggio invertito comporta gravi rischi!

COLLEGARE L'ACCESSORIO DECESPUGLIATORE ALL'UNITÀ MOTORE

Questo accessorio decespugliatore è progettato per l'uso con l'unità motore a batteria EGO LI-ION 56 volt PH1400E.

Consultare la sezione "INSTALLARE UN ACCESSORIO SULL'UNITÀ MOTORE" nel manuale di istruzioni dell'unità motore PH1400E.

FUNZIONAMENTO

AVVERTENZA! La familiarità con questo apparecchio non deve rendere l'operatore disattento. Anche un solo momento di disattenzione comporta il rischio di lesioni gravi.

AVVERTENZA! Indossare sempre protezioni per gli occhi e protezioni per le orecchie. Il mancato rispetto di questa istruzione comporta il rischio di oggetti proiettati verso gli occhi dell'operatore e altre lesioni gravi.

DESTINAZIONE D'USO

Questo prodotto può essere usato per gli scopi elencati di seguito.

- Tagliare erba ed erbaccia intorno a verande, recinti e piattaforme.

ATTENZIONE! Usare l'apparecchio esclusivamente per gli scopi previsti. Altri utilizzi sono da considerarsi uso improprio.

Prima di ogni utilizzo, verificare l'assenza di componenti danneggiati/usurati

Ispezionare la testa di taglio, la protezione parasassi e l'impugnatura frontale ausiliaria e sostituire i componenti incrinati, deformati, piegati o danneggiati in qualsiasi modo.

La lama del filo di taglio sul bordo della protezione parasassi può smussarsi col tempo. Si consiglia di affilarla periodicamente con una lima o di sostituirla con una lama nuova.

AVVERTENZA! Indossare sempre i guanti durante l'installazione o la sostituzione della protezione parasassi o durante l'affilatura o la sostituzione della lama. Individuare la posizione della lama sulla protezione parasassi e proteggere le mani dal rischio di lesioni.

AVVERTENZA! Per evitare lesioni gravi, rimuovere il gruppo batteria dall'unità motore prima di pulirla o ripararlo e prima di sostituire gli accessori o rimuovere del materiale dall'apparecchio.

USARE L'ACCESSORIO DECESPUGLIATORE CON L'UNITÀ MOTORE

AVVERTENZA! Vestirsi adeguatamente per ridurre il rischio di infortunio durante l'uso dell'apparecchio. Non indossare indumenti ampi o gioielli. Indossare dispositivi di protezione per gli occhi/orecchie. Indossare pantaloni lunghi e pesanti, stivali e guanti. Non indossare pantaloni corti o sandali e non usare l'apparecchio a piedi nudi.

AVVERTENZA! Sgombrare l'area da tagliare prima di ogni utilizzo. Rimuovere oggetti come pietre, vetri rotti, chiodi, cavi o corde perché potrebbero venire lanciati o impigliarsi nell'accessorio di taglio. Tenere lontani dall'area di lavoro bambini, altre persone e animali. Tenere eventuali bambini, altre persone e animali ad almeno 15 m di distanza; permane tuttavia il rischio di lesioni alle altre persone dovute al lancio di oggetti. Si raccomanda di far indossare dei dispositivi di protezione per gli occhi a eventuali persone presenti. Se un'altra persona si avvicina, arrestare immediatamente il motore e l'accessorio di taglio.

Per un funzionamento efficiente e sicuro, indossare la tracolla sulla spalla. Regolare la tracolla in una posizione operativa comoda. Tenere sempre il decespugliatore con la mano destra sull'impugnatura posteriore e la mano sinistra sull'impugnatura ausiliaria anteriore. Mantenere una presa salda con entrambe le mani durante l'uso dell'apparecchio. Tenere il decespugliatore in una posizione confortevole con l'impugnatura posteriore all'altezza del fianco. La testa di taglio deve essere parallela al terreno affinché entri facilmente a contatto con il materiale da tagliare senza che l'operatore debba piegarsi in avanti (Fig. B).

AVVERTENZA! La tracolla funziona anche da meccanismo di rilascio rapido in situazioni di pericolo. In caso di emergenza, sfilarla immediatamente dalla spalla, indipendentemente dalla sua modalità di fissaggio.

Pulire il decespugliatore dopo ogni utilizzo.

Consultare la sezione MANUTENZIONE per le istruzioni relative alla pulizia.

AVVIO/ARRESTO DELL'APPARECCHIO

Consultare la sezione "AVVIO/ARRESTO DELL'UNITÀ MOTORE" nel manuale di istruzioni dell'unità motore PH1400E.

REGOLARE LA LUNGHEZZA DEL FILO DI TAGLIO

La testa di taglio permette all'operatore di allungare il filo di taglio senza arrestare il motore. Quando il filo diventa sfilacciato o usurato, allungarlo premendo leggermente la testa di taglio sul terreno mentre il decespugliatore è in funzione (Fig. E).

ATTENZIONE! Allungare il filo diventa più difficile mano a mano che il filo di taglio si accorcia.

AVVERTENZA! Non rimuovere o alterare la lama del filo di taglio. Una lunghezza eccessiva del filo causerà il surriscaldamento del motore e il conseguente rischio di lesioni gravi.

SOSTITUZIONE DEL FILO

ATTENZIONE! Utilizzare esclusivamente il filo di taglio in nylon raccomandato con diametro non superiore a 2,4 mm. L'uso di fili diversi da quello specificato comporta il rischio di surriscaldamento o danneggiamento del decespugliatore.

AVVERTENZA! Non usare mai cavi, fili rinforzati in metallo, corda, ecc. perché possono rompersi e diventare proiettili pericolosi.

1. Rimuovere il gruppo batteria.
2. Rimuovere il filo di taglio rimanente, se necessario. Estrarlo a mano.
3. Tagliare 4 cm di filo di taglio, Inserire il filo nel foro di montaggio all'interno dell'occhiello (Fig. F). Spingere e tirare il filo dall'altro lato finché da entrambi i lati della bobina non fuoriescono quantità uguali.

4. Premere e contemporaneamente ruotare il fermo della bobina in direzione della freccia per avvolgere il filo sulla bobina, finché da ogni lato non rimangono circa 14 cm di filo (Fig. G).
5. Spingere il fermo della bobina verso il basso e contemporaneamente tirare i fili per farli avanzare manualmente e controllare il corretto assemblaggio della testa di taglio.

Se il filo di taglio si rompe a livello dell'uscita del filo o se il filo di taglio non viene rilasciato alla pressione della testa di taglio, seguire i passaggi descritti di seguito.

1. Rimuovere il gruppo batteria.
2. Premere le linguette di rilascio sul fermo della bobina e rimuovere il fermo della bobina estraendolo in linea retta (Fig. H & I).
3. Rimuovere il filo di taglio dal fermo della bobina.
4. Tenendo con una mano la base della bobina, afferrare con l'altra mano il fermo della bobina e allineare le linguette sul fermo della bobina con i fori nella base della bobina (Fig. J); usare il palmo della mano per premere e ruotare il fermo della bobina verso destra e verso sinistra, finché le linguette non si bloccano sulla base della bobina (Fig. K).
5. Seguire le istruzioni alla sezione "SOSTITUZIONE DEL FILO" per ricaricare il filo di taglio.

Quando l'utensile è utilizzato come decespugliatore a lama, seguire i passaggi illustrati in Fig. L e M per disassemblare la testa del decespugliatore a filo.

MANUTENZIONE

AVVERTENZA! Prima di ispezionare, pulire o regolare l'unità, arrestare il motore, attendere che tutte le parti mobili si arrestino e rimuovere il gruppo batteria. Il mancato rispetto di questa avvertenza comporta il rischio di danni o lesioni gravi.

AVVERTENZA! Per la riparazione dell'apparecchio, usare esclusivamente parti di ricambio identiche. L'uso di altri ricambi comporta situazioni pericolose o il rischio di danni all'apparecchio. Per garantire sicurezza e affidabilità, tutte le operazioni diverse da quelle elencate di seguito devono essere eseguite da un tecnico qualificato.

MANUTENZIONE GENERALE

Evitare l'uso di solventi durante la pulizia delle parti in plastica. La maggior parte dei materiali plastici può essere danneggiata da diversi tipi di solventi in commercio. Usare un panno pulito per rimuovere sporcizia, polvere, olio, grasso, ecc.

PULIZIA DELL'APPARECCHIO

- Rimuovere l'eventuale erba intrappolata intorno all'albero motore o alla testa di taglio.
- Usare una piccola spazzola o un piccolo aspirapolvere per pulire le aperture di ventilazione sul rivestimento posteriore.
- Pulire l'apparecchio usando un panno inumidito con del detergente neutro.
- Non usare detersivi aggressivi sulle superfici esterne in plastica o sull'impugnatura perché possono essere danneggiate da alcuni oli aromatici, come pino e limone, e da solventi come il cherosene. L'umidità comporta il rischio di scossa elettrica. Rimuovere eventuali segni di umidità con un panno asciutto e morbido.

IT

LUBRIFICAZIONE DEGLI INGRANAGGI DI TRASMISSIONE

Gli ingranaggi di trasmissione nella scatola degli ingranaggi devono essere lubrificati periodicamente con del grasso per ingranaggi. Controllare il livello del grasso della scatola degli ingranaggi ogni 50 ore di utilizzo rimuovendo la vite sigillante sul lato della scatola.

Se ai lati dell'ingranaggio non è visibile del grasso, seguire i passaggi riportati di seguito per riempirlo di grasso fino ai 3/4 della sua capacità.

Non riempire completamente gli ingranaggi di trasmissione.

1. Posizionare il decespugliatore su un lato affinché la vite sigillante sia rivolta verso l'alto.
2. Usare la chiave multifunzione fornita per allentare e rimuovere la vite sigillante.
3. Usare una siringa per grasso (non inclusa) per iniettare del grasso nel foro della vite; non superare i 3/4 della capacità.
4. Serrare la vite sigillante dopo il riempimento.

CONSERVAZIONE DELL'APPARECCHIO

- Rimuovere il gruppo batteria dal decespugliatore.
- Pulire accuratamente l'apparecchio prima di riporlo.
- Se l'accessorio decespugliatore viene rimosso dall'unità motore e riposto separatamente, inserire il cappuccio terminale sull'asta dell'accessorio per evitare che la sporcizia penetri nel raccordo.
- Conservare l'apparecchio in un luogo asciutto, ben ventilato, elevato o chiuso a chiave, e fuori dalla portata dei bambini. Non conservare l'apparecchio sopra o in prossimità di fertilizzanti, benzina o altre sostanze chimiche.

Protezione dell'ambiente



Non smaltire gli apparecchi elettrici, caricabatteria e batterie/batterie ricaricabili insieme ai rifiuti indifferenziati!

Conformemente alle direttive europee 2012/19/EU e 2006/66/CE, i rifiuti di apparecchiature elettriche ed elettroniche, pile e accumulatori devono essere raccolti separatamente e smaltiti nel rispetto dell'ambiente.

Se gli apparecchi elettrici vengono smaltiti nelle discariche, le sostanze pericolose possono infiltrarsi nelle falde acquifere e contaminare la catena alimentare, con effetti dannosi sulla salute e il benessere.

RISOLUZIONE DEI PROBLEMI

PROBLEMA	CAUSA	SOLUZIONE
Il decespugliatore non si avvia.	<ul style="list-style-type: none"> ■ Il gruppo batteria non è installato sull'unità motore. ■ Nessun contatto elettrico tra l'unità motore e il gruppo batteria. ■ Il gruppo batteria è scarico. ■ La leva di sbloccaggio e l'interruttore a grilletto non sono stati premuti contemporaneamente. 	<ul style="list-style-type: none"> ■ Installare il gruppo batteria sull'unità motore. ■ Rimuovere la batteria, ispezionare i contatti e reinstallare il gruppo batteria. ■ Ricaricare il gruppo batteria con i caricabatteria EGO elencati in questo manuale. ■ Per avviare il decespugliatore, tenere premuta la leva di sbloccaggio contemporaneamente all'interruttore a grilletto.
Il decespugliatore si arresta durante il taglio.	<ul style="list-style-type: none"> ■ La protezione parasassi non è installata sul decespugliatore, causando l'eccessiva lunghezza del filo di taglio e il sovraccarico del motore. ■ È in uso un filo di taglio troppo spesso. ■ L'albero di comando o la testa di taglio sono bloccati dall'erba. ■ Il motore è sovraccarico. ■ Il gruppo batteria o il decespugliatore sono troppo caldi. ■ Il gruppo batteria non è installato sul decespugliatore. ■ Il gruppo batteria è scarico. 	<ul style="list-style-type: none"> ■ Rimuovere il gruppo batteria e installare la protezione parasassi sul decespugliatore. ■ Utilizzare filo di taglio in nylon raccomandato con diametro non superiore a 2,4 mm. ■ Arrestare il decespugliatore, rimuovere la batteria e rimuovere l'erba dall'albero di comando e dalla testa di taglio. ■ Rimuovere la testa di taglio dall'erba. Il motore si riavvierà alla rimozione del carico. Durante il taglio, spostare la testa di taglio dentro e fuori dall'erba da tagliare e rimuovere non più di 20 cm di lunghezza a ogni passata. ■ Attendere che la temperatura del gruppo batteria e del decespugliatore scenda al di sotto di 67°C . ■ Reinstallare il gruppo batteria. ■ Ricaricare il gruppo batteria con i caricabatteria EGO elencati in questo manuale.

IT

PROBLEMA	CAUSA	SOLUZIONE
Non è possibile allungare il filo della testa di taglio.	<ul style="list-style-type: none"> ■ L'albero di comando o la testa di taglio sono bloccati dall'erba. ■ La bobina non contiene abbastanza filo. ■ La testa di taglio è sporca. ■ Il filo è impigliato nel fermo della bobina. ■ Il filo è troppo corto. 	<ul style="list-style-type: none"> ■ Arrestare il decespugliatore, rimuovere la batteria e rimuovere l'erba dall'albero di comando e dalla testa di taglio. ■ Rimuovere la batteria e sostituire il filo di taglio. Seguire le istruzioni alla sezione SOSTITUZIONE DEL FILO in questo manuale. ■ Rimuovere la batteria e pulire la bobina, il fermo della bobina e la base della bobina. ■ Rimuovere la batteria e sostituire il filo di taglio. Seguire le istruzioni alla sezione SOSTITUZIONE DEL FILO in questo manuale. ■ Rimuovere la batteria, quindi tirare il filo e nel contempo premere e rilasciare il pulsante di rilascio del filo.
L'erba si avvolge intorno alla testa di taglio e al vano motore.	<ul style="list-style-type: none"> ■ Tagliare l'erba a livello del terreno. 	<ul style="list-style-type: none"> ■ Tagliare l'erba dall'alto verso il basso, rimuovendo non più di 20 cm a ogni passata per evitare il problema.
La lama non taglia il filo.	<ul style="list-style-type: none"> ■ La lama del filo di taglio sul bordo della protezione parasassi è smussata. 	<ul style="list-style-type: none"> ■ Affilarla la lama del filo di taglio con una lima o sostituirla con una lama nuova.
Incrinature sulla testa di taglio, o il fermo della bobina è allentato dalla base della bobina.	<ul style="list-style-type: none"> ■ La testa di taglio è usurata. 	<ul style="list-style-type: none"> ■ Sostituire immediatamente la testa del decespugliatore; consultare la sezione "SOSTITUZIONE DELLA TESTA DEL DECESPUGLIATORE" in questo manuale.
Durante la sostituzione del filo, il filo non viene caricato correttamente nella testa di taglio.	<ul style="list-style-type: none"> ■ Le linee LOAD sul fermo della bobina non sono allineate con gli occhielli nella base della bobina. ■ Il filo di taglio non è inserito correttamente nel foro di montaggio nell'occhiello. 	<ul style="list-style-type: none"> ■ Ruotare il fermo della bobina in direzione della freccia, se necessario, per allineare le linee LOAD sul fermo della bobina con gli occhielli nella base della bobina. ■ Allineare le linee LOAD con gli occhielli, quindi inserire il filo nei fori di montaggio all'interno dell'occhiello.

GARANZIA

CONDIZIONI DELLA GARANZIA EGO

Visitare il sito web egopowerplus.com per consultare le condizioni complete della garanzia EGO.

LEES ALLE INSTRUCTIES!



LEES DE GEBRUIKERSHANDLEIDING

⚠ Restriscio! Personen met elektronische apparaten, zoals pacemakers, moeten eerst hun art(sen) raadplegen voordat ze dit product mogen gebruiken. De werking van een elektrisch apparaat in de nabijheid van een pacemaker kan een storing of defect aan de pacemaker veroorzaken.

⚠ WAARSCHUWING: Om de veiligheid en betrouwbaarheid continu te kunnen waarborgen, dienen alle reparaties en vervangingen van onderdelen uitgevoerd te worden door een vakbekwame reparateur.

VEILIGHEIDSSYMBOLEN

Het doel van de veiligheidssymbolen is om u te wijzen op mogelijke gevaren. Besteed daarom voldoende aandacht hieraan en begrijp de veiligheidssymbolen en bijbehorende uitleg. De symboolwaarschuwingen op zich elimineren geen enkel gevaar. De gegeven instructies en waarschuwingen gelden niet als vervanging voor gepaste voorzorgsmaatregelen tegen ongevallen.

⚠ WAARSCHUWING: Lees en begrijp alle veiligheidsinstructies die in deze gebruikershandleiding zijn vermeld, waaronder alle veiligheidssymbolen zoals „GEVAAR“, „WAARSCHUWING“, en „OPGELET“ voordat u dit gereedschap in gebruik neemt. Het negeren van onderstaande instructies kan leiden tot elektrische schokken, brand en/of ernstig persoonlijk letsel.

BETEKENIS VAN DE SYMBOLEN

⚠ VEILIGHEIDS-WAARSCHUWINGSSYMBOL: De indicatie GEVAAR, WAARSCHUWING of OPGELET kunnen in combinatie met andere symbolen of pictogrammen worden gebruikt.



⚠ WAARSCHUWING: De werking van elektrisch gereedschap kan leiden tot het rondslingeren van (vreemde) objecten die in uw ogen kunnen terechtkomen. Dit kan leiden tot ernstig oogletsel. Wanneer u elektrische apparaten gebruikt, zorg er dan voor dat u altijd een veiligheidsbril (met zijschermen) of een gelaatsscherm draagt. We raden aan om een gelaatsscherm over uw bril of standaard veiligheidsbril met zijschermen te gebruiken.

VEILIGHEIDSVORSCHRIFTENS

Deze pagina toont en beschrijft alle veiligheidssymbolen die zich op dit product kunnen bevinden. Lees, begrijp en volg alle instructies op de machine voordat u deze in elkaar zet en gebruikt.

	Veiligheidsvoorschriften	Geeft een risico op persoonlijk letsel aan.
	Lees de gebruikershandleiding	De gebruiker dient de gebruiksaanwijzing voor het gebruik van dit product te lezen en te begrijpen om risico op letsel te beperken.
	Draag oogbescherming	Draag altijd een veiligheidsbril met zijschermen en een gelaatsscherm als u dit product gebruikt.
	Draag oorbescherming	Draag altijd gehoorbescherming (oordopjes of geluiddempers) om uw gehoor te beschermen.
	Draag hoofdbescherming	Draag een goedgekeurde veiligheidshelm om uw hoofd te beschermen.
	Draag veiligheidshandschoenen	Bescherm uw handen met handschoenen bij de omgang met het mes of mesbeschermer. Robuuste, niet glijdende handschoenen verbeteren uw grip en beschermen uw handen.
	Draag veiligheidsschoenen	Draag slipvrije veiligheidsschoenen als u dit apparaat gebruikt.
	Snijbreedte	De max. snijbreedte van de grastrimmer
	Diameter draad	De diameter van de nylon snijdraad
	Geen rond mes	Installeer geen ronde messen.

NL

	Houd omstanders uit de buurt	Zorg dat andere personen en huisdieren zich op minstens 15m van de grastrimmer bevinden wanneer in gebruik.
	Houd omstanders uit de buurt	Zorg dat andere personen en huisdieren zich op minstens 15m van de grastrimmer bevinden wanneer in gebruik.
	Niet aan regen blootstellen	Gebruik het apparaat niet in de regen en laat het tevens niet buiten achter als het regent.
	CE	Dit product is in overeenstemming met de EG-richtlijnen.
	WEEE	Gooi elektrisch afval niet via het huishoudelijk afval weg. Breng het naar een geautoriseerd recyclingbedrijf.
	Lawaai	Gewaarborgd geluidsvermogensniveau. Geluidsemisatie voor de omgeving in overeenstemming met de richtlijnen van de Europese Unie.
V	Volt	Spanning
mm	Millimeter	Lengte of afmeting
cm	Centimeter	Lengte of afmeting
kg	Kilogram	Gewicht

ALGEMENE VEILIGHEIDSWAARSCHUWINGEN VOOR ELEKTRISCH GEREEDSCHAP

⚠ WAARSCHUWING: Lees alle veiligheidswaarschuwingen, instructies, illustraties en specificaties die met het elektrisch gereedschap zijn meegeleverd. Het niet opvolgen van de waarschuwingen en instructies kan leiden tot elektrische schokken, brand en/of ernstig letsel. Bewaar alle waarschuwingen en instructies voor toekomstig gebruik.

De term "elektrisch gereedschap" in de waarschuwingen verwijst naar uw op het voedingsnet

aangedreven (met snoer) handgereedschap of batterij aangedreven (snoerloos) handgereedschap.

VEILIGHEID OP DE WERKPLAATS

- Houd uw werkplaats schoon en goed verlicht. Rommelige of donkere ruimten kunnen ongevallen veroorzaken.
- Gebruik geen elektrisch gereedschap in explosieve ruimten, bijvoorbeeld in de aanwezigheid van ontvlambare vloeistoffen, gassen of stof. Elektrisch gereedschap creëert vonken, deze kunnen stof of dampen in brand steken.
- Houd kinderen en omstanders uit de buurt wanneer u elektrisch gereedschap bedient. Afleiding kan leiden tot controleverlies.

PERSOONLIJKE VEILIGHEID

- **Wees waakzaam, let op wat u doet en gebruik uw gezond verstand wanneer u elektrisch gereedschap gebruikt. Gebruik het elektrisch gereedschap niet als u moe bent of onder de invloed bent van drugs, alcohol of medicijnen.** Een moment van onoplettendheid tijdens het gebruik van elektrische gereedschappen kan leiden tot ernstig persoonlijk letsel.
- **Draag persoonlijke beschermingsuitrusting. Draag altijd oogbescherming.** Beschermingsmiddelen zoals een stofmasker, slipvaste werkschoenen, veiligheidshelm of gehoorbescherming afhankelijk van de aard en het gebruik van het gereedschap verkleint het risico op persoonlijk letsel.
- **Vermijd dat het gereedschap per ongeluk wordt gestart. Zorg dat de schakelaar op de stand 'Uit' is ingesteld voordat u het gereedschap op een stroombron en/of accu aansluit, vastneemt of draagt.** Het dragen van elektrisch gereedschap met uw vinger op de schakelaar of gereedschap ingeschakeld op de stroomvoorziening aansluiten kan ongevallen veroorzaken.
- **Verwijder instelsleutels of moersleutels voordat u het elektrisch gereedschap inschakelt.** Een instelsleutel of moersleutel in een draaiend deel van het elektrisch gereedschap achterlaten kan leiden tot persoonlijk letsel.
- **Reik niet te ver. Zorg er altijd voor dat u stevig en stabiel staat.** Dit zorgt ervoor dat u het elektrisch gereedschap in onverwachte situaties beter onder controle kunt houden.
- **Draag passende kleding. Draag geen los hangende kleding of sieraden. Houd uw haar, kleding en handschoenen uit de buurt van bewegende onderdelen.** Los hangende kleding, sieraden en lang haar kunnen in bewegende onderdelen verstrikt raken.

- **Wanneer de montage van stofafzuigings- of stofopvangvoorzieningen mogelijk is, dient u ervoor te zorgen dat deze juist aangesloten en gebruikt worden.** Het gebruik van voorzieningen voor stofopvang kan helpen om het risico in verband met stof te verlagen.
- **Word niet zelfingenomen door de ervaring die u heeft opgedaan door frequent gebruik, waardoor u dan de veiligheidswaarschuwingen negeert.** Een achteloze actie kan binnen een fractie van een seconde ernstig letsel veroorzaken.

ELEKTRISCH GEREEDSCHAP GEBRUIKEN EN ONDERHOUDEN

- **Overbelast het elektrisch gereedschap niet. Gebruik het juiste elektrisch gereedschap voor uw werkzaamheid.** Met het juiste elektrisch gereedschap werkt u beter en veiliger binnen het aangegeven capaciteitsbereik.
- **Gebruik het elektrisch gereedschap niet als de schakelaar niet kan worden in- en uitgeschakeld.** Elektrisch gereedschap dat niet kan worden in- of uitgeschakeld is gevaarlijk en moet worden gerepareerd.
- **Berg niet-gebruikt gereedschap op buiten het bereik van kinderen en zorg ervoor dat personen die niet vertrouwd zijn met het gereedschap of die deze instructies niet hebben gelezen het gereedschap niet gebruiken.** Elektrisch gereedschap is gevaarlijk wanneer het door onervaren personen wordt gebruikt.
- **Onderhoud het elektrisch gereedschap en de accessoires. Controleer of de bewegende onderdelen correct functioneren en niet vastklemmen en of de onderdelen zodanig gebroken of beschadigd zijn dat de werking van het elektrisch gereedschap nadelig wordt beïnvloed. Laat beschadigde onderdelen repareren voordat u het elektrisch gereedschap gebruikt.** Vele ongevallen worden veroorzaakt door slecht onderhouden elektrisch gereedschap.
- **Houd de snij-onderdelen scherp en schoon.** Zorgvuldig onderhouden snij-gereedschap met scherpe snijranden klemmen minder snel vast en zijn gemakkelijker te beheersen.
- **Gebruik het elektrisch gereedschap, accessoires, inzetgereedschap, etc. in overeenstemming met deze instructies en houd hierbij rekening met de werkomstandigheden en de uit te voeren werkzaamheden.** Het gebruik van elektrisch gereedschap voor andere dan de voorziene toepassingen kan tot gevaarlijke situaties leiden.
- **Houd de handvatten en greepvlakken droog, schoon en vrij van olie en smeervet.** Glibberige handvatten en greepvlakken maken een veilige omgang en de controle over het elektrisch

- gereedschap in onverwachte situaties onmogelijk.
- **Houd kabels uit de buurt van het werkgebied van het gereedschap.** Tijdens het gebruik kan de stroomkabel verborgen worden en per ongeluk beschadigd raken door het elektrisch gereedschap.

ACCUGEREEDSCHAP GEBRUIKEN EN ONDERHOUDEN

- **Laad alleen op met de lader die door de fabrikant is gespecificeerd.** Een lader die geschikt is voor één type van accu kan tot brandgevaar leiden wanneer gebruikt met een andere accu.
- **Gebruik elektrisch handgereedschap alleen met de specifiek aangegeven accu.** Het gebruik van andere accu's kan risico op letsel en brandgevaar veroorzaken.
- **Wanneer u de accu niet gebruikt, houd het uit de buurt van andere metalen voorwerpen zoals paperclips, munten, sleutels, nagels, schroeven of andere kleine metalen voorwerpen die de twee aansluitklemmen kunnen verbinden.** Het kortsluiten van de aansluitklemmen kan brandwonden of brand veroorzaken.
- **Bij verkeerd gebruik kan er vloeistof uit de accu worden gespoten; vermijd elk contact. Als aanraking met de vloeistof toevallig plaatsvindt, spoel met water af. Als de vloeistof in de ogen komt, dient u onmiddellijk een arts te consulteren.** Vloeistof dat uit de accu wordt gespoten kan irritatie of brandwonden veroorzaken.
- **Gebruik een accu of gereedschap dat is beschadigd of aangepast niet.** Beschadigde of aangepaste accu's kunnen resulteren in onvoorzien gedrag zoals brand, explosie of het risico op letsel.
- **Stel een accu of gereedschap niet bloot aan vuur of excessieve temperaturen.** Blootstelling aan vuur of temperaturen boven 130 °C kunnen leiden tot een explosie.
- **Neem alle laad instructies in acht en laad de accu of het gereedschap niet buiten het gespecificeerde temperatuurbereik in de handleiding op.** Het onjuist laden of bij een temperatuur buiten het temperatuurbereik kan de accu beschadigen en er bestaat een gevaar op brand.

REPARATIE

- **Laat uw elektrisch gereedschap repareren door een vakbekwame reparateur en alleen met identieke reserveonderdelen.** Dit waarborgt de veiligheid van het elektrisch gereedschap.
- **Repareer nooit een beschadigde accu.** Reparatie van accu's mag alleen worden uitgevoerd door de fabrikant of een erkend servicecentrum.

⚠ WAARSCHUWING: Lees alle veiligheidswaarschuwingen, instructies, illustraties en specificaties die met het elektrisch gereedschap zijn meegeleverd. Het niet opvolgen van de waarschuwingen en instructies kan leiden tot elektrische schokken, brand en/of ernstig letsel. Bewaar alle waarschuwingen en instructies voor toekomstig gebruik.
Bewaar alle waarschuwingen en instructies voor toekomstig gebruik.

NL

TRAINING

- Lees de instructies aandachtig door. Maak u vertrouwd met de bedieningsknoppen en het juiste gebruik van de apparaat.
- Personen of kinderen die deze instructies niet kennen mogen het gereedschap nooit gebruiken. De lokale wetgeving kan de leeftijd van de bediener begrenzen.
- Onthoud dat de bediener of gebruiker verantwoordelijk is voor ongevallen of gevaren die zich bij ander personen of hun eigendommen voordoen.

VOORBEREIDING

- Gebruik het gereedschap nooit als zich mensen, in het bijzonder kinderen of huisdieren, in de buurt bevinden.
- Draag altijd oogbescherming en stevige schoenen wanneer het gereedschap in werking is.
- De afstand tussen het gereedschap en de omstanders mag niet minder dan 15m bedragen.
- Gebruik het gereedschap nooit als de operator moe of ziek is of onder invloed is van alcohol of andere drugs.

GEBRUIK

- Gebruik het gereedschap alleen bij daglicht of voldoende kunstmatig licht.
- Gebruik het gereedschap nooit met beschadigde schermen of zonder dat de schermen gemonteerd zijn.
- Schakel de motor alleen in wanneer uw handen en voeten zich uit de buurt van het snijelement bevinden.
- Ontkoppel het gereedschap altijd van de voeding (verwijder bijvoorbeeld het accupack).
 - wanneer het gereedschap zonder toezicht wordt achtergelaten;
 - voor het verwijderen van een verstopping;
 - voor het controleren, reinigen of onderhouden van het gereedschap.
- na het raken van een vreemd voorwerp;
- telkens het gereedschap overmatig trilt.

- Zorg dat u geen letsel oploopt aan uw voeten en handen en voeten door hetsnijelement.
- Zorg dat de ventilatieopeningen altijd vrij van vuil zijn.

ONDERHOUD EN OPSLAG

- Ontkoppel het gereedschap van de voeding (verwijder bijvoorbeeld het accupack) alvorens reinigings- of onderhoudswerkzaamheden uit te voeren.
- Gebruik alleen reserveonderdelen of accessoires die door de fabrikant zijn aanbevolen.
- Controleer en onderhoud het gereedschap regelmatig. Laat het gereedschap alleen door een erkende reparateur repareren.
- Wanneer niet in gebruik, berg het gereedschap op buiten het bereik van kinderen.

ANDERE VEILIGHEIDSWAARSCHUWINGEN

- **Vermijd een gevaarlijke omgeving** – Gebruik het gereedschap niet ope een vochtige of natte helling.
- **Houd de schermen op hun plaats en in een goede staat.**
- **Houd handen en voeten uit de buurt van het snijbereik.**
- **Om het risico op letsel te voorkomen, mag u nooit op een ladder of een andere onveilige steun werken. Houd de snij-eenheid nooit boven heuphoogte.**
- **Controleer de snij-eenheid regelmatig tijdens het gebruik of onmiddellijk nadat een duidelijke wijziging van de snijprestaties optreedt.**
- **Voor het beste resultaat dient de accu in een ruimte te worden geladen waar de temperatuur hoger is dan 5°C en lager dan 40°C.** Bewaar hem niet buiten of in een voertuig.
- **Als iemand in de buurt komt, dient u de motor en snij-eenheid te stoppen.**
- **Waarschuw de bediener voor het gevaar dat het blad terug kaatst (alleen voor het gebruik met 3-tands mes).**
 - Een terugkaatsen van het mes kan gebeuren als het draaiende mes contact heeft met een voorwerp dat niet direct kan worden gesneden.
 - Het terugkaatsen van het mes kan ernstig genoeg zijn om het apparaat en/of de gebruiker in een willekeurige richting te slingeren, waardoor de controle over het apparaat kan worden verloren.
 - Het terugkaatsen van het mes kan zonder waarschuwing gebeuren als het mes ergens aan vast blijft hangen, afslaat of vast raakt.

- Het terugkaatsen van het mes gebeurt eerder in een gebied waar het moeilijk te zien is, welk materiaal wordt gesneden.
- **Bevestig geen mes aan een eenheid zonder een correcte installatie van alle benodigde onderdelen. Door niet de juiste onderdelen te gebruiken, kan het mes eraf vliegen en ernstig letsel veroorzaken bij de gebruiker en/of omstanders. Verwijder gebogen, vervormde, gescheurde, gebroken of op welke manier dan ook beschadigde messen. Gebruik een scherp mes. Een bot mes klemt eerder vast of kaatst terug (gebruik alleen een 3-tands mes).**
- **Een mes/draad met naloop kan letsel veroorzaken terwijl het nog verder draait nadat de motor is uitgeschakeld of de schakelaar is losgelaten. Zorg voor een goede controle totdat het mes/de draad compleet stil staat.**
- **Accugereedschap moet niet op een stopcontact worden aangesloten en is daarom altijd gereed voor gebruik.** Let op voor mogelijke gevaren, zelfs wanneer het gereedschap niet in gebruik is. Let op wanneer u onderhoud aan het gereedschap uitvoert.
- **Reinig het gereedschap niet met een slang. Zorg dat de motor of elektrische componenten niet met water in aanraking komen.**
- **Als er zich situaties voordoen die niet in deze handleiding worden behandeld, dient u uw gezond verstand te gebruiken. Neem contact op met het EGO klantenservice als u hulp nodig heeft.**
- **Gebruik alleen met in afb. A vermelde accupacks en opladers.**

BEWAAR DEZE GEBRUIKSAANWIJZING!

SPECIFICATIES

Snijmechanisme	Aantikkop
Diameter draad	2,4 mm nylon gedraaide draad
Snijbreedte	38 cm
Snelheid zonder belasting	5000/6000 min ⁻¹
Gewicht (zonder accupack)	1,59 kg
Aanbevolen werkingstemperatuur	0°C-40°C
Aanbevolen opslagtemperatuur	-20°C-70°C
Gemeten geluidsvermogensniveau L _{WA}	94,6 dB(A) K=1,80 dB(A)
Geluidsdruk niveau aan het oor van de bediener L _{PA}	83,2 dB(A) K=3 dB(A)

Gegarandeerd geluidsvermogensniveau L _{WA} (gemeten volgens 2000/14/EG)		96 dB(A)
Vibratie a _h	Voorste handvat	1,1 m/s ² K=1,5 m/s ²
	Achterste handvat	1,4 m/s ² K=1,5 m/s ²

- De bovengenoemde parameters werden getest en gemeten met de motorkop PH1400E.
- De opgegeven totale vibratiewaarde is gemeten volgens de standaard testmethode en kan worden gebruikt om het apparaat met een ander apparaat te vergelijken;
- De opgegeven totale vibratiewaarde kan ook worden gebruikt in een voorafgaande beoordeling op blootstelling.

MEDEDELING: De vibratie-afgifte tijdens het werkelijk gebruik van het elektrisch gereedschap kan verschillen van de opgegeven totale waarde; Om de bediener te beschermen dient de gebruiker tijdens het gebruik handschoenen en gehoorbescherming te dragen.

INHOUD VAN DE VERPAKKING

NAAM ONDERDEEL	AANTAL
Grastrimmer toebehoor	1
Scherm	1
Inbussleutel	1
Multifunctionele sleutel	1
Gebruikershandleiding	1

Voor de aanbevolen snijdraad kunt u de website egopowerplus.com of de EGO productcatalogus raadplegen.

BESCHRIJVING

KEN UW TOEBEHOOR VAN DE GRASTRIMMER (afb. A)

1. Einddop
2. Grastrimmer schacht
3. Snijdraad
4. Snijkop (Aantikkop)
5. Ontgrendelingsknop
6. Mes voor het snijden van de draad
7. Scherm
8. Binnenzeskantsleutel

9. Multifunctionele sleutel

⚠ WAARSCHUWING: Gebruik het gereedschap nooit zonder juist gemonteerd scherm. Het scherm moet zich altijd op het gereedschap bevinden om de gebruiker te beschermen.

MONTAGE

⚠ WAARSCHUWING: Als er onderdelen beschadigd zijn of ontbreken, gebruik dit product niet totdat alle onderdelen vervangen of aanwezig zijn. Dit product gebruiken met beschadigde of ontbrekende onderdelen kan ernstig persoonlijk letsel veroorzaken.

⚠ WAARSCHUWING: Probeer niet om dit product aan te passen of accessoires te maken die niet voor gebruik met deze grastrimmer zijn aanbevolen. Een dergelijke aanpassing of wijziging is verkeerd en kan leiden tot gevaar en een ernstig persoonlijk letsel.

⚠ WAARSCHUWING: Sluit de motorkop niet aan totdat u klaar bent met de montage. Het niet in acht nemen kan resulteren in het onbedoeld starten en mogelijk ernstig persoonlijk letsel.

DE BESCHERMING MONTEREN

⚠ WAARSCHUWING: Draag altijd handschoenen wanneer u het scherm monteert of vervangt. Wees voorzichtig bij het mes en bescherm uw handen tegen letsel door het mes.

Maak de twee schroeven los en verwijder ze van de basis (afb. C), breng de bevestigingsgaten in één lijn met de montagegaten en maak vervolgens de bescherming vast met de twee schroeven, samen met de onderlegplaatjes (afb. D).

Zorg ervoor dat het scherm volgens afb. C & D is bevestigd; een andere bevestiging kan groot gevaar veroorzaken!

AANSLUITEN VAN HET GRASTRIMMER TOEBEHOOR AAN DE MOTORKOP

Dit grastrimmer toebehoor is ontworpen voor het gebruik met de EGO motorkop PH1400E.

Zie hoofdstuk "INSTALLEREN VAN TOEBEHOOR AAN DE MOTORKOP" in de gebruiksaanwijzing van de motorkop PH1400E.

BEDIENING

⚠ WAARSCHUWING: Vertrouwdheid kan leiden tot onvoorzichtigheid. Opgelet, één seconde van onvoorzichtigheid kan ernstig letsel teweegbrengen.

⚠ WAARSCHUWING: Draag altijd oogbescherming, samen met gehoorbescherming. Het niet dragen van deze beschermingsuitrusting kan ertoe leiden dat voorwerpen in uw ogen terechtkomen of kan een ander ernstig letsel veroorzaken.

APPLICATIES

U kunt dit product gebruiken voor onderstaand vermeld doeleinde:

- Gras en onkruid trimmen rond veranda's, heggen en terrassen.

OPMERKING: Het gereedschap mag alleen voor het voorheen genoemde doeleinde worden gebruikt. Ieder ander gebruik is in dit geval misbruik.

Voor elk gebruik, controleer op beschadigde/versleten onderdelen

Controleer de trimmerkop, scherm en voorste handvat en vervang alle onderdelen die gebarsten, scheef getrokken, gebogen of beschadigd zijn.

Het mes voor het snijden van de draad op de rand van het scherm kan na verloop van tijd bot worden. Het is aanbevolen om het mes regelmatig met een vijl te slijpen of door een nieuw mes te vervangen.

⚠ WAARSCHUWING: Draag altijd handschoenen wanneer u het scherm monteert of vervangt of het mes slijpt of vervangt. Let op de positie van het mes op het scherm zodat u geen letsel oploopt.

⚠ WAARSCHUWING: Om ernstig persoonlijk letsel te voorkomen, haal het accupack uit de motorkop voor onderhoud, reiniging, het wijzigen van accessoires of het verwijderen van materiaal.

GEBRUIK VAN HET GRASTRIMMER TOEBEHOOR MET DE MOTORKOP

⚠ WAARSCHUWING: Draag gepaste kleding om het risico op letsel tijdens gebruik van dit gereedschap te beperken. Draag geen los hangende kleding of juwelen. Draag oog- en oorbescherming. Draag een stevige lange broek, laarzen en handschoenen. Draag geen korte broek of sandalen of ga niet blootsvoets.

⚠ WAARSCHUWING: Voor gebruik, verwijder alle mogelijke obstakels uit de te maaien zone. Verwijder voorwerpen zoals rotsen, gebroken glas, nagels, draad of koorden, die opgegooid kunnen worden of in het snijelement terecht kunnen komen. Zorg dat er zich geen kinderen, omstanders of huisdieren in de omgeving bevinden. Houd kinderen, omstanders en huisdieren op een afstand van minstens 15m; er is nog altijd risico op het wegslingeren van voorwerpen richting omstanders.

Omstanders worden aangespoord om oogbescherming te dragen. Als iemand in de buurt komt, stop de motor en het snijelement onmiddellijk.

Voor een veiliger en beter gebruik draagt u de schouderriem over uw schouder. Pas de schouderriem aan zodat u een comfortabele werkpositie bereikt. Houd de grastrimmer met één hand op het achterste handvat en uw andere hand op het voorste ondersteunende handvat vast. Zorg tijdens het gebruik voor een stevige greep met beide handen. De grastrimmer dient op een prettige manier te worden vastgehouden met het achterste handvat ongeveer op heuphoogte. De snijkop dient evenwijdig met de grond te zijn zodat hij eenvoudig contact maakt met het te maaien materiaal zonder de bediener zich dient te buigen (afb. B).

⚠ WAARSCHUWING: De schouderriem heeft ook een snelontspanningsmechanisme voor gevaarlijke situaties. Als er sprake is van een noodgeval, haalt u hem direct van de schouder, ongeacht hoe de riem zit.

Maak de trimmer na elk gebruik schoon

Kijk in het hoofdstuk ONDERHOUD voor de reinigingsinstructies.

HET GEREEDSCHAP STARTEN/STOPPEN

Zie hoofdstuk “**STARTEN/STOPPEN VAN DE MOTORKOP**” in de gebruiksaanwijzing van de motorkop PH1400E.

DE LENGTE VAN DE SNIJDRAAD AANPASSEN

De trimmerkop stelt de bediener in staat om meer snijdraad vrij te geven zonder de motor te moeten stoppen. Als de draad uitgerafeld of versleten raakt, geef extra draad vrij door de trimmerkop tijdens gebruik van de trimmer voorzichtig tegen de grond te tikken (afb. E).

OPMERKING: Het vrijgeven van draad wordt moeilijker naarmate de draad korter wordt.

⚠ WAARSCHUWING: Verwijder of pas de draadsnijder niet aan. Een te lange snijdraad zal de motor oververhitten wat tot ernstig persoonlijk letsel kan leiden.

DE DRAAD VERVANGEN

OPMERKING: Gebruik altijd de geadviseerde nylon snijdraad met een diameter die niet groter is dan 2,4 mm. Het gebruik van een andere dan aangegeven draad kan ertoe leiden, dat de trimmer oververhit of beschadigd raakt.

⚠ WAARSCHUWING: Gebruik nooit metaal versterkte draad, koord of touw, etc. Deze kan afbreken en een gevaarlijk projectiel worden.

1. Verwijder het accupack.

2. Verwijder indien nodig de overgebleven snijdraad. Trek hem er gewoon met de hand uit.
3. Snij 4 m lange snijdraad, Steek de draad in het bevestigingsgat in het oogje (afb. F). Druk en trek de draad van de andere kant totdat aan beide zijden van de spoel evenveel draad is.
4. Druk, terwijl u de spoelhouder in de richting van de pijl draait, om de draad op de spoel te draaien totdat ongeveer 14 cm van de draad aan iedere kant uitsteekt (afb. G).
5. Druk de spoelhouder naar beneden terwijl u met de hand aan de draden trekt om de draden naar voren te halen en om te kijken of de trimmerkop goed zit.

Als de draad aan de uitgang breekt of als de draad niet verder loopt of vast zit als u tegen de trimmerkop tikt, dient u de volgende stappen uit te voeren:

1. Verwijder het accupack.
2. Druk op de klemcontacten van de spoelhouder en verwijder de vastzetting van de spoel door deze omhoog uit te trekken (afb. H & I).
3. Verwijder de draad van de spoelhouder.
4. Terwijl u met de ene hand de spoelbasis vast houdt, gebruikt u de andere hand om de spoelhouder vast te pakken en brengt u de contacten van de spoelhouder in één lijn met de gaten in de spoelbasis (afb. J); Gebruik uw handpalm om de spoelhouder te drukken en naar links en rechts te draaien totdat de contacten in de spoelbasis vast klikken (afb. K).
5. Volg de instructies in “**VERVANGEN VAN DE DRAAD**” om een nieuwe snijdraad te plaatsen.

Als het apparaat wordt gebruikt als bosmaaier, dient u de stappen zoals weergegeven in afb. L & M te volgen, om de trimmerkop te demonteren.

ONDERHOUD

⚠ WAARSCHUWING: Voor het inspecteren, reinigen of onderhouden van het apparaat dient u de motor te stoppen, te wachten totdat alle bewegende onderdelen tot stilstand zijn gekomen en het accupack te verwijderen. Het negeren van deze instructies kan ernstig persoonlijk letsel of materiële schade tot gevolg hebben.

⚠ WAARSCHUWING: Bij reparatie, gebruik uitsluitend identieke reserve-onderdelen. Het gebruik van andere onderdelen kan gevaar opleveren of schade aan het product veroorzaken. Om een continue veiligheid en betrouwbaarheid te waarborgen, dienen alle reparaties, uitgezonderd zulke die worden opgesomd in deze gebruiksaanwijzing, te worden uitgevoerd door een vakbekwame reparateur.

ALGEMEEN ONDERHOUD

NL

Maak de kunststof onderdelen niet schoon met oplosmiddelen. De meeste kunststoffen kunnen worden beschadigd wanneer ze in contact komen met commerciële oplosmiddelen. Gebruik een schone doek voor het verwijderen van vuil, stof, olie, smeer, etc.

HET APPARAAT SCHOONMAKEN

- Verwijder gras dat zich om de motorschacht of trimmerkop heeft gewikkeld.
- Maak de ventilatieopeningen aan de achterkant van de motorbehuizing schoon met een kleine borstel of een stofzuiger.
- Maak het apparaat schoon met een vochtige doek en mild schoonmaakmiddel.
- Maak de kunststof behuizing of handvat niet schoon met een agressief schoonmaakmiddel. Deze kunnen door bepaalde aromatische oliën, zoals pijnboom en citroen, en oplosmiddelen, zoals kerosine, worden beschadigd. Vocht kan risico op elektrische schokken met zich meebrengen. Veeg eventueel vocht weg met een zachte en droge doek.

SMEREN VAN DE VERSNELLING

De versnelling in de versnellingsbak dient regelmatig met smeervet voor versnellingen te worden gevet. Controleer het vetniveau van de versnellingsbak ongeveer alle 50 uur van gebruik door de vergrendelschroef aan de zijkant van de bak te verwijderen.

Als u geen vet meer ziet aan de flanken van de versnelling, dient u de onderstaande stappen te volgen voor het tot 3/4 bijvullen van het vet.

Vul de versnellingen niet helemaal.

1. Houd de grastrimmer op zijn zij zodat de verzegelingschroef naar boven is gericht .
2. Gebruik de meegeleverde multifunctionele sleutel en verwijder de vergrendelschroef.
3. Gebruik een vetspuit (niet inbegrepen) om een beetje vet in het schroefgat te spuiten; niet meer dan 3/4 van de capaciteit vullen.

4. Maak de vergrendelschroef na het injecteren weer vast.

HET APPARAAT OPBERGEN

- Haal het accupack uit de grastrimmer.
- Maak het gereedschap grondig schoon voordat u het opbergt.
- Als het grastrimmer toebehoor wordt verwijderd van de motorkop en apart wordt opgeborgen: Steek de einddop op de schacht van het toebehoor om te voorkomen dat vuil in de koppeling terecht komt.
- Berg het apparaat op in een droge, goed geventileerde en afsluitbare ruimte of op een hoge hoogte en buiten het bereik van kinderen. Berg het apparaat niet op in de buurt van meststoffen, benzine of andere chemicaliën.

Het milieu beschermen



Gooi geen elektrische apparaten, acculaders en accu's/oplaadbare batterijen met het huisafval weg!

Elektrische en elektronische apparaten, in overeenstemming met de Europese wet 2012/19/EG, en defecte of verbruikte accupacks/batterijen, in overeenstemming met 2006/66/EG, moeten afzonderlijk worden ingezameld.

Als elektrische apparaten op een stortterrein of vuilnisbelt terecht komen, kunnen gevaarlijke stoffen in het grondwater lekken en in de voedselketen komen wat schadelijk is voor uw gezondheid en welzijn.

PROBLEEMOPLOSSING

PROBLEEM	OORZAAK	OPLOSSING
Accugrastrimmer-start niet.	<ul style="list-style-type: none"> ■ Het accupack is niet op de motorkop aangesloten. ■ Er is geen elektrisch contact tussen de motorkop en het accupack. ■ Het accupack is uitgeput. ■ De ontgrendelingshendel en trekker zijn niet gelijktijdig ingeduwd. 	<ul style="list-style-type: none"> ■ Sluit het accupack aan op de motorkop. ■ Verwijder het accupack, controleer de aansluitklemmen en plaats het accupack terug totdat deze vast klikt. ■ Laat het accupack op met de EGO lader die in deze gebruiksaanwijzing wordt vermeld. ■ Om de grastrimmer te starten, duw de ontgrendelingshendel omlaag en houd op deze positie. Duw vervolgens de trekker in.
Accugrastrimmer-stopt tijdens het maaien.	<ul style="list-style-type: none"> ■ Het scherm is niet op de grastrimmer gemonteerd waardoor de snijdraad te lang is en de motor oververhit raakt. ■ Er wordt zware snijdraad gebruikt. ■ De motoras of snijkop zit vol met gras. ■ De motor is overbelast. ■ Het accupack of de grastrimmer is te warm. ■ Het accupack is niet met het gereedschap verbonden. ■ Het accupack is uitgeput. 	<ul style="list-style-type: none"> ■ Verwijder het accupack en monteer het scherm op de trimmer. ■ Gebruik de geadviseerde nylon snijdraad met een diameter van niet meer dan 2,4 mm. ■ Stop de grastrimmer, haal het accupack uit en verwijder het gras van de motoras en snijkop. ■ Verwijder het gras uit de snijkop. De motor werkt opnieuw zodra het gras is verwijderd. Beweeg de snijkop tijdens het maaien in en uit het gras en verwijder niet meer dan 20 cm gras in één maaibeurt. ■ Laat het accupack of de trimmer afkoelen totdat de temperatuur lager dan 67°C is. ■ Installeer het accupack opnieuw. ■ Laat het accupack op met de EGO lader die in deze gebruiksaanwijzing wordt vermeld.

NL

PROBLEEM	OORZAAK	OPLOSSING
De draad wordt niet door de snijkop vrijgegeven.	<ul style="list-style-type: none"> ■ De motoras of snijkop zit vol met gras. ■ Er is onvoldoende draad op de spoel. ■ De snijkop is vuil. ■ De draad is verstrikt geraakt op de spoelhouder. ■ De draad is te kort. 	<ul style="list-style-type: none"> ■ Stop de grastrimmer, haal het accupack uit en verwijder het gras van de motoras en snijkop. ■ Verwijder het accupack en vervang de snijdraad volgens de sectie “DE DRAAD VERVANGEN” in deze handleiding. ■ Verwijder het accupack en maak de spoel, vastzetting en basis schoon. ■ Verwijder het accupack en verwijder de snijdraad van de spoel en wikkel op, volgens de sectie “DE DRAAD VERVANGEN” in deze handleiding. ■ Verwijder het accupack en trek aan de draden terwijl de aantikknop afwisselen wordt ingedrukt en losgelaten.
Gras wordt om de snijkop en motorbehuizing gewikkeld.	<ul style="list-style-type: none"> ■ Lang gras wordt op grondniveau gemaaid. 	<ul style="list-style-type: none"> ■ Maai lang gras van boven naar onder en verwijder niet meer dan 20 cm per maaibeurt om omwikkeling te voorkomen.
Het mes snijdt de draad niet.	<ul style="list-style-type: none"> ■ Het mes voor het snijden van de draad op de rand van het scherm is bot. 	<ul style="list-style-type: none"> ■ Slijp het mes met behulp van een vijl of vervang het door een nieuwe.
Scheuren op de trimmerkop of de spoelhouder zitten dicht bij de spoelbasis.	<ul style="list-style-type: none"> ■ De trimmerkop is versleten. 	<ul style="list-style-type: none"> ■ Vervang de trimmerkop direct; volg de instructies in sectie “TRIMMERKOP VERVANGEN” in deze gebruiksaanwijzing.
Tijdens het vervangen van de draad, kan de draad niet goed in de trimmerkop worden gehouden.	<ul style="list-style-type: none"> ■ De LOAD draden van de spoelhouder zijn niet in één lijn met de gaatjes in de spoelbasis. ■ De spoeldraad zit niet correct in het montagegat in het oogje. 	<ul style="list-style-type: none"> ■ Draai de spoelhouder in de richting van de pijl, om de LOAD draden op de spoel van de houder in een lijn te brengen met de gaten in de basis van de spoel. ■ Breng de LOAD draden eerst in één lijn met het oogje, steek vervolgens de draad in het montagegat aan de binnenkant van het oogje.

GARANTIE

EGO GARANTIEVOORWAARDEN

Bezoek onze website egopowerplus.com voor alle voorwaarden van de EGO garantie.

LÆS ALLE ANVISNINGER!



LÆS BRUGANVISNING

⚠ Særlig risiko! Folk med elektroniske anordninger, såsom pacemakere, bør spørge deres læge til råds, før de bruger dette produkt. Betjening af elektrisk udstyr i umiddelbar nærhed af en pacemaker kan forårsage forstyrrelser eller svigt af pacemakeren.

⚠ ADVARSEL: For at sikre sikkerhed og pålidelighed, bør alle reparationer og udskiftninger udføres af en kvalificeret servicetekniker.

SIKKERHEDSSYMBOLER

Formålet med sikkerhedssymboler er at gøre dig opmærksom på mulige farer. Du bør være meget opmærksom på sikkerhedssymbolerne og forklaringer til dem og lære at forstå dem. Symboladvarsler fjerner ikke i sig selv eventuelle farer. Anvisningerne og advarslerne er ingen erstatning for korrekte forebyggelsesforanstaltninger mod ulykker.

⚠ ADVARSEL: Sørg for at læse og forstå alle sikkerhedsanvisninger i denne brugsanvisning, herunder alle advarselssymbolerne, såsom "FARE", "ADVARSEL" og "FORSIGTIG", før du bruger dette værktøj. Hvis man ikke følger nedenstående anvisninger, kan det medføre elektrisk stød, brand og/eller alvorlig personskade.

SYMBOLBETYDNING

⚠ ADVARSELSSYMBOLER: Angiver FARE, ADVARSEL eller FORDIGTIG, og kan bruges sammen med andre symboler eller billeder.






⚠ ADVARSEL: Når kraftige værktøjer bruges, er der altid en risiko for at genstande slynges ind i øjnene, som kan føre til alvorlige øjenskader. Inden værktøjet tages i brug, skal brugeren altid bære beskyttelsesbriller eller bære beskyttelsesbriller med sideskærm, eller en fuld ansigtsskærm, hvis nødvendigt. Vi anbefaler en maske med bredt udsyn til brug over briller eller standard sikkerhedsbriller med sidebeskyttelse.

SIKKERHEDSANVISNINGER

Denne side viser og beskriver sikkerhedssymboler, der kan forekomme på dette produkt. Læs, forstå og følg alle anvisninger på apparatet, før du forsøger at samle og betjene det.

	Sikkerhedsvarsel	Angiver en potentiel fare for personskade.
	Læs brugsanvisningen	For at nedsætte risikoen for personskade, skal brugeren læse og forstå brugsanvisningen, før dette produkt tages i brug.
	Bær beskyttelsesbriller	Bær altid beskyttelsesbriller eller sikkerhedsbriller med sidebeskyttelse og om nødvendigt en fuld ansigtsskærm.
	Brug hørevern	Bær altid hørevern (ørepropper eller ørebeskyttere) for at beskytte din hørelse.
	Brug hovedbeskyttelse	Brug en beskyttelseshjelm, så dit hoved beskyttes.
	Brug beskyttelseshandsker	Beskyt dine hænder med handsker, når savklingen og skærmen håndteres. Kraftige beskyttelseshandsker forbedrer dit greb og beskytter dine hænder.
	Benyt sikkerhedsfodtøj	Benyt skridsikkert sikkerhedsfodtøj, når du bruger dette udstyr.
	Trimmebredde	Græstrimmerens maks. klippebredde
	Diameter af snor	Diameteren af nylontrimmersnoren
	Ingen runde klinger	Runde savklinger må ikke bruges.
	Hold omkringstående på afstand	Sørg for, at andre mennesker og kæledyr står mindst 15 m væk fra græstrimmeren, når den er i brug.

DK

	Hold omkringstående på afstand	Sørg for, at andre mennesker og kæledyr står mindst 15 m væk fra græstrimmeren, når den er i brug.
	Må ikke udsættes for regn	Apparatet må ikke bruges i regn og må ikke efterlades udenfor i regnvej.
	Det Europæiske Fællesskab	Dette produkt er i overensstemmelse med gældende EU-direktiver.
	WEEE	Affald fra elektriske produkter bør ikke bortskaffes sammen med husholdningsaffald. Bring det til en godkendt genbrugsplads.
	Støj	Garanteret lydniveau. Støjemission til miljøet opfylder EF-direktivet.
V	Volt	Spænding
mm	Millimeter	Længde eller størrelse
cm	Centimeter	Længde eller størrelse
kg	Kg	Vægt

GENERELLE SIKKERHEDSADVARSLER OM ELELTRISKE APPARATER

⚠ ADVARSEL: Læs alle sikkerhedsadvarsler, instruktioner, billeder og specifikationer, der følger med dette elværktøj. Hvis man ikke følger nedenstående anvisninger, kan det medføre elektrisk stød, brand og/eller alvorlig personskade.

Gem alle advarsler og anvisninger til fremtidig brug.

Udtrykket "elværktøj" i advarselne refererer til dit lysnetdrevne (med ledning) elværktøj eller batteridrevne (ledningsfrie) elværktøj.

SIKKERHED I ARBEJDSOMRÅDET

- Hold arbejdsområdet rent og godt oplyst. Rodede eller uoplyste arbejdsområder inviterer til ulykker.
- Brug ikke elværktøj i eksplosive atmosfærer, såsom ved tilstedeværelse af brændbare væsker, gasser eller støv. Elværktøj skaber gnister, der kan antænde støv eller dampe.

- Hold børn og omkringstående på afstand, mens du betjener et elværktøj. Forstyrrelser kan medføre, at du mister kontrollen.

PERSONLIG SIKKERHED

- **Vær opmærksom, se, hvad du laver, og brug sund fornuft, når du benytter et elværktøj. Brug ikke apparatet, hvis du er træt eller er påvirket af narkotika, alkohol eller medicin.** Et øjeblik uopmærksomhed ved brug af maskinen kan føre til alvorlige personskader.
- **Brug personlige værnemidler. Bær altid beskyttelsesbriller.** Værnemidler, såsom støvmaske, skridsikre sikkerhedssko, hjelm eller høreværn, der anvendes under passende betingelser, nedsætter risikoen for personskade.
- **Forebyg utilsigtet start. Sørg for kontakten er i slukket position, før værktøjet tilsluttes til strømkilde og/eller batteripakke, samles op eller bæres.** Hvis du bærer elværktøj med fingeren på kontakten eller sætter strøm til elværktøj, der har kontakten tændt, beder du om ulykker.
- **Fjern indstillingsværktøj eller skruenøgler, før elværktøjet startes.** En skruenøgle eller andet værktøj, der sidder i en roterende del af elværktøjet, kan give personskade.
- **Læn dig ikke for langt forover. Stå ordentlig fast og vær hele tiden i balance.** Dette giver bedre kontrol over elværktøjet i uventede situationer.
- **Fornuftig påklædning. Bær ikke løst tøj eller smykker. Hold dit hår, tøj og handsker væk fra bevægelige dele.** Løst tøj, smykker eller langt hår kan blive fanget i bevægelige dele.
- **Hvis der er installeret anordninger for tilslutning af støvudsugnings- og opsamlingsudstyr, så sørg for, at dette tilsluttes og anvendes korrekt.** Anvendelse af støvanordninger kan mindske støvrelaterede risici.
- **Lad ikke kendskab til værktøjer pga. hyppig brug gøre dig for selv sikker, og ignorer værktøjernes sikkerhedsprincipper.** Uforsigtig håndtering kan forårsage alvorlig skade på en brøkdal af et sekund.

BRUG OG PLEJE AF ELVÆRKTØJ

- **Tving ikke elværktøj. Brug det korrekte elværktøj til det, du skal lave.** Det korrekte elværktøj vil gøre arbejdet bedre og mere sikkert ved den hastighed, som det er beregnet til.
- **Brug ikke elværktøjet, hvis kontakten ikke kan tænde og slukke.** Alt elværktøj, hvor kontakterne ikke dur, er farligt og skal repareres.

- **Opbevar elværktøjer utilgængeligt for børn og lad ikke personer, der ikke er bekendt med motorsaven eller disse instruktioner, bruge el-værktøjet.**
Elværktøj er farligt i hænderne på utrænede brugere.
- **Elværktøj og deres tilbehør skal vedligeholdes. Sørg for at bevægelige dele passer og ikke binder, at det ikke er gået i stykker og at generelt er i god stand og virker ordentligt. Hvis elværktøjet beskadiges, skal det repareres før brug.** Mange ulykker skyldes dårligt vedligeholdt elværktøj.
- **Sørg for at holde skæreværktøjer skarpe og rene.** Skæreværktøjer med skarpe kanter, der vedligeholdes ordentligt, er mindre tilbøjelige til at binde og er lettere at styre.
- **Brug elværktøj, tilbehør og bits osv. i overensstemmelse med disse anvisninger, under hensyntagen til arbejdsforholdene og det arbejde, der skal udføres.** Anvendelse af elværktøj til andre formål end dem, de er beregnet til, kan medføre en farlig situation.
- **Hold håndtag og greb tørre, rene og fri for olie og fedt.** Løse håndtag og greb gør det usikkert, at håndtere og styre værktøjet i uventede situationer.
- **Hold ledningerne væk fra værktøjets arbejdsområde.** Under drift kan kablet være ude af syne og kan utilsigtet blive beskadiget af værktøjet.

BRUG OG PLEJE AF BATTERIET

- **Batteripakken må kun oplades med opladeren, der er angivet af fabrikanten.** Hvis en oplader, der er egnede til én slags batteripakke, bruges med en anden slags batteripakke, kan det føre til brand.
- **Elværktøjer må kun bruges med batteripakker, der er beregnet til dem.** Hvis der bruges andre batteripakker, kan det føre til skader eller brand.
- **Når batteripakken ikke er i brug, skal den holdes væk fra andre metalgenstande som papirclips, mønter, nøgler, søm, skruer eller andre små metalgenstande, der kan skabe forbindelse fra en pol til en anden.** Kortslutning af batteripolerne kan forårsage forbrændinger eller brand.
- **Ved forkert anvendelse kan der slippe væske ud af batteriet; undgå kontakt. Kommer man uheldigvis i kontakt med væsken: Skyl med vand. Hvis væsken kommer i øjnene, skal man også søge læge.** Væskesprøjt fra batteriet kan forårsage irritation eller forbrændinger.
- **Brug ikke en batteripakke eller et værktøj, som er beskadiget eller modificeret.** Beskadigede eller modificerede batterier kan udvise uforudsigelig adfærd, der kan føre til brand, eksplosion eller risiko for skade.

- **En batteripakke eller et værktøj må ikke udsættes for brand eller for høj temperatur.** Udsættelse for brand eller temperatur over 100 °C kan føre til eksplosion.
- **Følg alle opladningsinstruktioner, og oplad ikke batteripakken eller værktøjet uden for det temperaturområde, der er angivet i vejledningen.** Forkert opladning eller i temperaturer uden for det angivne område kan beskadige batteriet og øge risikoen for brand.

SERVICE

- **Dit elværktøj skal repareres af en kvalificeret person, og der må kun bruges identiske reservedele.** På denne måde sikrer man, at elværktøjet forbliver sikkert at bruge.
- **Forsøg aldrig at reparere beskadigede batterier.** Batteripakker må kun repareres af producenten og autoriserede serviceudbydere.

⚠ ADVARSEL: Læs alle sikkerhedsadvarsler, anvisninger, illustrationer og specifikationer, der følger med dette elværktøj. Hvis anvisningerne nedenfor ikke følges, kan det føre til elektrisk stød, brand og/eller alvorlig personskade. Gem alle advarsler og instruktioner til fremtidig reference.

UDDANNELSE

- Læs anvisningerne grundigt igennem. Bliv fortrolig med alle knapper og den korrekte brug af apparatet.
- Lad aldrig personer, der ikke kender disse anvisninger, bruge apparatet. Lokale forskrifter kan sætte aldersgrænser for en operatør.
- Husk, at operatøren eller brugeren er ansvarlig, hvis andre personer eller andres ejendom udsættes for ulykke eller fare.

FORBEREDELSE

- Brug aldrig maskinen i nærheden af andre, især børn eller kæledyr.
- Bær altid øjenbeskyttelse og solide sko, mens du betjener apparatet.
- Afstanden mellem apparatet og omkringstående skal være mindst 15 m.
- Betjen aldrig maskinen, mens operatøren over sig, er syg eller påvirket af alkohol eller andre rusmidler.

BETJENING

- Brug kun apparatet i dagslys eller godt kunstigt lys.
- Anvend aldrig apparatet med defekte kapper eller skærme eller uden kapper eller skærme monteret.

DK

- Tænd kun for motoren, når hænder og fødder er væk fra trimmerdelen.
- Afbryd altid maskinen fra strømforsyningen (dvs. fjern batteripakken).
 - Når apparatet forlades uden opsyn.
 - Før en blokering fjernes.
 - Før kontrol, rengøring eller arbejde på maskinen.
 - Efter at have ramt et fremmedlegeme.
 - Når apparatet begynder at vibrere unormalt.
- Pas på skade på hænder og fødder fra trimmerdelen.
- Sørg altid for, at ventilationsåbningerne holdes fri for snavs og skidt.

DK

VEDLIGEHOLDELSE OG OPBEVARING

- Afbryd maskinen fra strømforsyningen (dvs. fjern batteripakken), inden du udfører vedligeholdelse- eller rengøringsarbejde.
- Brug kun fabrikantens anbefalede reservedele og tilbehør.
- Efterse og vedligehold apparatet regelmæssigt. Få kun apparatet repareret af en autoriseret reparatør.
- Når apparatet ikke er i brug, opbevar maskinen utilgængeligt for børn.

ANDRE SIKKERHEDSADVARSLER

- **Undgå farlige omgivelser** – Brug ikke apparatet på fugtige eller våde skrånninger.
- **Hold kapper på plads og i orden.**
- **Hold hænder og fødder væk fra klippeområdet.**
- For at mindske risikoen for personskade, må du aldrig arbejde på en stige eller på noget andet usikkert underlag. Hold aldrig klippedelen over hoftehøjde.
- Se regelmæssigt klippedele efter under brug, eller omgående, hvis der er en mærkbar forandring i måden, hvorpå apparatet klipper.
- For at opnå de bedste resultater bør dit batteri oplades et sted, hvor temperaturen er over 5 °C og under 40 °C. Opbevar det ikke uden for eller i køretøjer.
- Hvis nogen nærmer sig, så stop straks motoren og klippedelen.
- **Advar brugeren om fare tilbageslag, når savklingen bruges (kun klingens med 3 tænder).**
 - Savklingen kan give tilbageslag, hvis den saver ind i en genstand, som den umiddelbart ikke kan save over.

- Et tilbageslag kan være voldsomt nok til at slynge enheden og/eller brugeren i alle retninger, og derved muligvis miste kontrollen over enheden.
- Et tilbageslag kan opstå uden varsel, hvis savklingen rammer en knast, stopper eller kommer i klemme.
- Tilbageslag er mere tilbøjelige til at forekomme i områder, hvor det er vanskeligt at se materialer, der beskæres.
- **Der må ikke sættes nogen savklinger på enheden, før alle de nødvendige dele først er sat på. Hvis de rigtige dele ikke bruges, kan savklingen flyve af, og forårsage alvorlig skade på brugeren og/eller personer i nærheden. Savklinger, der er bøjedede, skævede, revnede, ødelagt eller på nogen måde beskadigede, skal smides ud. Brug en skarp savklinge. En døv savklinge er mere tilbøjelige til at sidde fast og give tilbageslag (kun, når der bruges savklinger med 3 tænder).**
- **En belagt savklinge/tråden kan forårsage skade, hvis den fortsætter med at køre rundt efter motoren er stoppet eller gashåndtaget er sluppet. Kontroller apparatet ordentligt indtil klingens/trådens er holdt helt op med at dreje rundt.**
- **Batteridrevne værktøjer behøver ikke at være tilsluttet en stikkontakt, derfor er de altid driftsklar.** Vær opmærksom på mulige farer, selv når værktøjet ikke arbejder. Vær forsigtig, når du udfører vedligeholdelse eller service.
- **Undlad at vaske med en slange; undgå at få vand i motor og elektriske forbindelser.**
- **Ved situationer, der ikke er dækket i denne vejledning: Vær forsigtig, og arbejd med omtanke. Kontakt Egos servicecenter for at få hjælp.**
- **Produktet må kun bruges med batteripakkerne og opladerne, der står på listen i fig. A.**

GEM DISSE ANVISNINGER!

SPECIFIKATIONER

Trimmemekanisme	Fjederhoved
Diameter af snor	2,4 mm snoet nylontråd
Trimbrebredde	38 cm
Ubelastet hastighed	5000/6000 min ⁻¹
Vægt (uden batteripakke)	1,59 kg
Anbefalet driftstemperatur	0°C-40°C
Anbefalet opbevaringstemperatur	-20°C-70°C

Målt lydeffektniveau L_{WA}	94,6 dB(A) K=1,80 dB(A)
Lydtryk ved brugerens øre L_{PA}	83,2 dB(A) K=3 dB(A)
Garanteret lydeffektniveau L_{WA} (målt i henhold til direktiv 2000/14/EF)	96 dB(A)
Vibration a_h	Hjælpehåndtag 1,1 m/s ² K=1,5 m/s ²
	Bageste håndtag 1,4 m/s ² K=1,5 m/s ²

- Ovenstående parametre er blevet testet og målt under anvendelse af motordel PH1400E.
- Den samlede værdi af angivne vibrationer er målt i overensstemmelse med en standardiseret prøvningsmetode og kan anvendes til at sammenligne et værktøj med et andet
- Den samlede angivne værdi for vibrationer kan også anvendes ved en foreløbig vurdering af eksponeringen.

BEMÆRK: Udsendelsen af vibrationer ved faktisk brug af elværktøjet kan afvige fra den angivne værdi, der hvor værktøjet anvendes. For at beskytte operatøren, bør vedkommende bære handsker og høreværn under de faktiske brugsbetingelser.

PAKKELISTE

DELENS NAVN	ANTAL
Græstrimmertilbehør	1
Kappe	1
Unbrakonøgle	1
Multifunktions-skruenøgle	1
Brugsanvisning	1

Vedrørende anbefalet skæreline henvises til hjemmesiden egopowerplus.com eller til EGO's produktkatalog.

BESKRIVELSE

BLIV FORTROLIG MED DIT GRÆSTRIMMERTILBEHØR (Fig. A)

1. Endedæksel
2. Græstrimmerskaft
3. Trimmersnor
4. Klippehoved (stødhoved)
5. Udløsertap

6. Kniv Til Afkortning Af Snor
7. Kappe
8. Unbrakonøgle
9. Multifunktions-skruenøgle

⚠ ADVARSEL: Brug aldrig værktøjet uden kappen solidt på plads. Kappen skal altid være på værktøjet for at beskytte brugeren.

MONTERING

⚠ ADVARSEL: Hvis der er dele, der er beskadigede eller mangler, anvendes apparatet ikke, før delene er udskiftet. Brug af dette produkt med beskadigede eller manglende dele kan medføre alvorlig personskade.

⚠ ADVARSEL: Forsøg ikke at ændre dette produkt eller fremstille tilbehør, der ikke anbefales til brug med denne græstrimmer. Enhver sådan ændring eller modifikation er misbrug og kan resultere i en farlig situation, der fører til eventuel alvorlig personskade.

⚠ ADVARSEL: Tilslut ikke motordelen til strøm, før samlingen af værktøjet er fuldført. Manglende overholdelse af anvisningerne vil kunne medføre utilsigtet igangsætning og risiko for alvorlig personskade.

MONTERING AF KAPPE

⚠ ADVARSEL: Brug altid handsker ved montering eller udskiftning af kappen. Vær forsigtig med kniven på knappen, og beskyt dine hænder mod at blive skåret af kniven.

Løsn, og fjern de to skruer fra skaftets nederste kant (fig. C), flugt kappens monteringshuller med enhedens huller; sæt derefter kappen fast på skaftet med de to skruer sammen med to fjederskiver (fig. D).

Sørg for, at kappen sidder som på fig. C og D. Hvis monteringen gores omvendt kan det forårsage stor fare!

MONTERING AF TRIMMERTILBEHØRET PÅ MOTORDELEN

ette græstrimmertilbehør er beregnet til brug med EGO motordel PH1400E.

Se afsnittet "MONTERING TILBEHØR PÅ MOTORDEL" i brugsanvisningen til motordel PH1400E.

DK

BETJENING

⚠ ADVARSEL: Selvom du kender dette produkt, så blev ikke skødesløs. Husk, at skødesløshed i en brøkdæl af et sekund kan forvolde betydelig personskade.

⚠ ADVARSEL: Bær altid sikkerhedsbriller samt høreværn. Hvis du ikke gør, kan du få genstande slynget i øjnene, og der kan også opstå andre alvorlige skader.

ANVENDELSER

Du kan bruge dette produkt til de formål, der er nævnt nedenfor:

- Trimning af græs og ukrudt omkring indgangspartier, hegn, terrasser

BEMÆRK: Værktøjet skal kun bruges til det formål, det er beregnet til. Enhver anden anvendelse anses for at være et tilfælde af fejlbrug.

Før hver anvendelse undersøges for skader / slidte dele

Tjek trimmerhoved, kappe og forreste hjælpehåndtag, og udskift de dele, der er revnede, skæve, bøjedede eller beskadigede på nogen måde.

Snorkniven på kanten af kappen bliver med tiden sløv. Det anbefales regelmæssigt at slibe den med en fil eller udskifte den med en ny kniv.

⚠ ADVARSEL: Brug altid handsker ved montering af kappe eller ved slibning eller udskiftning af kniven. Vær forsigtig med kniven på kappen, og beskyt hænderne mod at blive skåret.

⚠ ADVARSEL: For at undgå alvorlig personskade fjernes batteripakken fra motordelen før service, rengøring, udskiftning af tilbehør, eller før der fjernes skidt fra apparatet.

BRUG AF GRÆSTRIMMEREN MED MOTORDELEN

⚠ ADVARSEL: Bær rigtig påklædning for at mindske risikoen for skader, når du betjener dette værktøj. Bær ikke løst tøj eller smykker. Bær øjen- og øre- / høreværn. Bær kraftige, lange bukser, støvler og handsker. Gå ikke i korte bukser, sandaler eller på bare fødder.

⚠ ADVARSEL: Ryd området, hvor der skal trimmes, før hver brug. Fjern alle genstande, såsom sten, glasskår, søm, tråd eller snor, der kan slynge ud eller blive viklet ind i trimmerdelen. Få børn, tilskuere og kæledyr væk fra området. Hold alle børn, omkringstående og kæledyr mindst 15 m væk. Tilskuere kan stadig være i fare for at blive ramt af genstande, der slynge ud. Omkringstående bør opfordres til at bære øjenbeskyttelse. Hvis nogen

nærmer sig, så stop straks motoren og trimmerdelen.

Betjeningen gøres sikker og behagelig ved at benytte skulderremmen. Justér skulderremmen, så den giver en behagelig arbejdsstilling. Hold altid græstrimmeren med den ene hånd på det bageste håndtag og den anden hånd på det forreste hjælpehåndtag. Hold godt fast med begge hænder under arbejdet. Græstrimmeren bør bæres i en behagelig stilling med bagerste håndtag i hoftehøjde. Trimmerens hoved bør være parallelt med jorden, så det nemt kommer i kontakt med det, der skal skæres, uden at operatøren skal strække sig (Fig. B).

⚠ ADVARSEL: Skulderremmen er også en mekanisme til hurtigt frigørelse i farlige situationer. Når der opstår en fare, så tag den straks af skulderen, uanset hvordan remmen er sat på.

Efter hver brug rengøres trimmeren

Se afsnittet VEDLIGEHOLDELSE for oplysninger om rengøring.

START/STOP AF VÆRKTØJET

Se afsnittet "START / STOP AF MOTORDELEN" i brugsanvisningen til motordel PH1400E.

JUSTERING AF TRIMMERSNORENS LÆNGDE

Trimmeren giver operatøren mulighed for at frigive mere trimmersnor uden at stoppe motoren. Efterhånden som snoren bliver flosset eller slidt, kan man frigive ekstra snor ved at trykke fjederhovedet let mod jorden, mens trimmeren kører (Se Fig. E).

BEMÆRK: Frigivelse af snor bliver vanskeligere, når trimmersnoren bliver kortere.

⚠ ADVARSEL: Du må ikke fjerne snorkniven eller ændre på den enhed, hvor den sidder. For lang snor vil få motoren til at overophede og kan give i alvorligt personskade.

UDSKIFTNING AF SNOR

BEMÆRK: Brug altid den anbefalede trimmersnor af nylon med en diameter ikke over 2,4 mm. Brug af line med anden diameter kan medføre, at græstrimmeren bliver overophedet eller beskadiget.

⚠ ADVARSEL: Brug aldrig metalforstærket tråd, wire eller reb osv. Disse kan knække og blive farlige projektiler.

1. Fjern batteripakken
2. Fjern resterende trimmersnor, hvis nødvendigt. Den trækkes blot ud med hånden.
3. Skær en 4 m lang trimmersnor af. Indsæt snoren i monteringshullet i øjet (Fig. F). Skub og træk snoren fra den anden side, indtil der sidder lige meget snor på begge sider af spolen.

- Tryk, mens du roterer spoleholderen i pilens retning, for et vinde snoren op på spolen, indtil der stikker ca. 14 cm snor ud på hver side (Fig. G).
- Skub spoleholderen nedad, mens der trækkes i snorene, for manuelt at trække snor ud og for at kontrollere for korrekt montering af trimmerhovedet.

Hvis trimmersnoren springer ved udgangsøjet, eller hvis snoren ikke frigives, når trimmerens hoved trykkes mod jorden, følges trinene nedenfor:

- Fjern batteripakken.
- Tryk på de to løsnestappe på spoleholderen, og fjern spoleholderen ved at trække den lige ud (Fig. H og I).
- Fjern trimmersnoren fra spoleholderen.
- Med den ene hånd holdes spolebunden, og den anden hånd bruges til at gribe spoleholderen og flugte tappene på spoleholderen med hullerne i spolen (Fig. J); brug håndfladen til at trykke og dreje spoleholderen til venstre og højre, indtil tappene låses sammen med spolebunden (Fig. K).
- Følg vejledningen i "UDSKIFTNING AF SNOR", når der skal fyldes mere trimmersnor i.

Hvis værktøjet skal bruges som en buskrydder, skal du følge trinene på billedet L & M, for at adskille trimmerhovedet.

VEDLIGEHOLDELSE

⚠ ADVARSEL: Før eftersyn, rengøring eller service på enheden standses motoren. Vent til alle bevægelige dele er standset, og fjern batteripakken. Efterkommes disse anvisninger ikke, kan det medføre alvorlig personskade eller materielle skader.

⚠ ADVARSEL: Ved service må der kun bruges originale reservedele. Brug af andre reservedele kan medføre fare eller forårsage skader på produktet. For at sikre sikkerhed og pålidelighed, bør alle reparationer, der ligger ud over dem, der foretages i henhold til listen i vedligeholdelsesanvisningerne, udføres af en kvalificeret servicetekniker.

ALMINDELIG VEDLIGEHOLDELSE

Undgå at bruge opløsningsmidler ved rengøring af plastdele. De fleste plastmaterialer risikerer at blive ødelagt ved brug af forskellige typer af alment tilgængelige opløsningsmidler. Brug rene klude til at fjerne snavs, støv, olie, fedt osv.

RENGØRING AF APPARATET

- Fjern eventuelt græs, der kan have viklet sig rundt om motorakslen eller trimmerhovedet.
- Brug en lille børste eller en lille støvsuger til at rengøre lufthullerne på det bagerste kabinet.
- Rengør apparatet med en fugtig klud med et mildt

rengøringsmiddel.

- Brug ikke stærke rengøringsmidler på plastkabinettet eller -håndtaget. De kan tage skade af visse aromatiske olier, såsom fyr og citron, og opløsningsmidler såsom petroleum. Fugt kan også give elektrisk stød. Tør al fugt af med en blød tør klud.

TRANSMISSIONSGEARENES SMØRING

Transmissionsgearene i gearkassen skal smøres regelmæssigt med gearfedt. Kontrollér oliestanden i gearkassen for hver ca. 50 timers drift ved at fjerne tætnings skrue på siden af gearkassen.

Hvis der ikke er fedt på siderne af gearet, skal du følge trinene nedenfor og fylde 3/4 op med fedt.

Fyld ikke transmissionsgearene helt op.

- Læg græstrimmeren på siden, så låseskruen vender opad.
- Brug multifunktions-skruenøglen til at løsne og fjerne låseskruen.
- Brug en fedtsprøjte (medfølger ikke) til at pumpe fedt ind i skruelhullet; fyld op til højst 3/4 af kapaciteten.
- Når der er pumpet fedt ind, spændes låseskruen.

OPBEVARING AF APPARATET

- Fjern batteripakken fra trimmeren.
- Rengør værktøjet grundigt, før det lægges væk.
- Hvis græstrimmertilbehøret er fjernet fra motordelen og opbevaret separat: Monter endedækslet på tilbehørsskaffet for at undgå at snavs trænger ind i koblingsstykket.
- Opbevar apparatet på et tørt og godt ventileret sted, der er låst og utilgængeligt for børn. Opbevar ikke apparatet på eller ved siden af gødning, benzin eller andre kemikalier.

Beskyttelse af miljøet



Smid ikke elektrisk udstyr, batterioplader og batterier / genopladelige batterier i affaldsspanden!

Ifølge EU-direktiv 2012/19/EU og EU-direktiv 2006/66/EF skal henholdsvis elektrisk og elektronisk udstyr, der ikke længere er brugbart, og defekte eller brugte batterier / batteripakker indsamles særskilt.

Hvis elektriske apparater smides på lossepladsen eller affaldsdeponier kan der sive giftige stoffer ned i grundvandet og komme ud i fødekæden og gøre skade på menneskers sundhed og velfærd.

DK

FEJLFINDING

DK

PROBLEM	ÅRSAG	LØSNING
Græstrimmer starter ikke.	<ul style="list-style-type: none"> ■ Batteripakken er ikke sat i motordelen. ■ Ingen elektrisk kontakt mellem motordel og batteripakke. ■ Batteripakken er afladet. ■ Låsehåndtag og startknappen er ikke blevet trykket ned samtidigt. 	<ul style="list-style-type: none"> ■ Sæt batteripakken i motordelen. ■ Tag batteriet ud, kontrollér kontakterne, og sæt batteripakken i igen, indtil den klikker på plads. ■ Oplad batteriet med de opladere fra EGO, der er anført i denne vejledning. ■ Tryk ned låsehåndtaget ned og hold det, tryk derefter på startknappen for at starte græstrimmeren.
Græstrimmer stopper, mens der trimmes.	<ul style="list-style-type: none"> ■ Kappen er ikke monteret på trimmeren, hvilket resulterer i en alt for lang trimmersnor og overbelastning af motoren. ■ Der anvendes kraftig trimmersnor. ■ Motoraksel eller trimmerhoved er fyldt med græs. ■ Motoren er overbelastet. ■ Batteripakke eller græstrimmer er for varm. ■ Batteripakken er taget af værktøjet. ■ Batteripakken er afladet. 	<ul style="list-style-type: none"> ■ Fjern batteripakken, og sæt kappen på trimmeren. ■ Brug standard trimmersnor af nylon med en diameter på højst 2,4 mm. ■ Stop trimmeren, fjern batteriet, og fjern græs fra motoraksel og trimmerhoved. ■ Løft trimmerhovedet op fra græsset. Motoren vil begynde at arbejde igen, så snart belastningen er fjernet. Når der trimmes, flyttes trimmerhovedet ind og ud af græsset, der skal trimmes. Der bør højst fjernes 20 cm ad gangen i et enkelt snit. ■ Lad batteripakke eller trimmer køle indtil temperaturen falder til under 67 °C . ■ Sæt batteripakken på plads igen. ■ Oplad batteriet med de opladere fra EGO, der er anført i denne vejledning.

PROBLEM	ÅRSAG	LØSNING
Trimmerhoved rykker ikke snoren frem.	<ul style="list-style-type: none"> ■ Motoraksel eller trimmerhoved er fyldt med græs. ■ Der er ikke tilstrækkeligt med snor på spolen. ■ Trimmerhovedet er snavset. ■ Snoren er filtret i spoleholderen. ■ Snoren er for kort. 	<ul style="list-style-type: none"> ■ Stop trimmeren, fjern batteriet, og fjern græs fra motoraksel og trimmerhoved. ■ Fjern batteriet, og udskift snoren; se afsnittet "UDSKIFTNING AF SNOR" i denne vejledning. ■ Fjern batteriet, og rens spolen, spoleholderen og spolekant. ■ Fjern batteriet, fjern snoren fra spolen og spol den på igen; se afsnittet "UDSKIFTNING AF SNOR" i denne vejledning. ■ Fjern batteriet og træk i snorene, mens fjederknoppen skiftevis trykkes ned og slippes.
Græs er snoet omkring trimmerhoved og motorhus.	<ul style="list-style-type: none"> ■ Trimming af højt græs i jordhøjde. 	<ul style="list-style-type: none"> ■ Klip højt græs oppefra og ned, og tag ikke mere end 20 cm hver gang for at forhindre, at græsset snor sig fast.
Kniven skærer ikke snoren.	<ul style="list-style-type: none"> ■ Snorkniven på kanten af kappen er blevet sløv. 	<ul style="list-style-type: none"> ■ Sharpen the line-cutting blade with a file or replace it with a new blade.
Revner på trimmerens hoved eller spoleholderen løsner sig fra spolebunden.	<ul style="list-style-type: none"> ■ Trimmerhovedet er slidt. 	<ul style="list-style-type: none"> ■ Udskift straks trimmerhovedet; se afsnittet "UDSKIFTNING AF TRIMMERHOVED" i denne brugsanvisning.
Under udskiftning kan snoren ikke fyldes korrekt ind i trimmerhovedet.	<ul style="list-style-type: none"> ■ Spoleholderens FYLDE-linjer flugter ikke med øjerne i spolebunden. ■ Snoren er ikke sat korrekt gennem monteringshullet i øjet. 	<ul style="list-style-type: none"> ■ Drej spoleholderen i pilens retning for at flugte FYLDE-linjerne på spoleholderen med de små øjer i spolebunden. ■ Flugt først FYLDE-linjerne med øjerne, og sæt derefter snoren ind monteringshullet inde i øjet.

DK

GARANTI

EGO's GARANTIPOLITIK

Besøg venligst hjemmesiden egopowerplus.com for fuldstændige vilkår og betingelser for EGO's garantipolitik.

LÄS IGENOM OCH FÖRSTA BRUKSANVISNINGEN



LÄS IGENOM BRUKSANVISNINGEN

⚠ Kvarstående risker! Personer med elektroniska implantat såsom hjärtstimulatorer bör konsultera sin(a) läkare innan de använder denna produkt. Användning av elutrustning nära en hjärtstimulator kan störa eller avbryta dess funktion.

⚠ VARNING! Alla reparationer bör utföras av en kvalificerad servicetekniker för att upprätthålla produktens säkerhet och driftsäkerhet.

SE

SÄKERHETSSYMBOLER

Syftet med säkerhetssymboler är att fåsta din uppmärksamhet på eventuella risker. Säkerhetssymbolerna och deras betydelser bör uppmärksammas noga och förstås. Själva varningssymboler kan dock inte förebygga någon fara. De instruktioner och varningar som de hänvisar till kan aldrig ersätta lämpliga olycksförebyggande åtgärder.

⚠ VARNING! Se till att läsa igenom och förstå alla säkerhetsinstruktioner i denna bruksanvisning, inklusive alla säkerhetslarmsymboler såsom „**FARA**“, „**VARNING**“ och „**FÖRSIKTIGHET**“ innan detta verktyg används. Underlåtenhet att följa alla instruktioner som listas nedan kan resultera i elektrisk stöt, brand och/eller allvarlig personskada.

SYMBOLINNEBÖRD

⚠ SÄKERHETSLARMSYMBOL: Anger **FARA**, **VARNING** eller **FÖRSIKTIGHET** och kan användas tillsammans med andra symboler eller piktogram.



⚠ VARNING! Användning av något elverktyg kan resultera i att främmande föremål kastas in i dina ögon vilket kan leda till allvarliga ögonskador. Innan elverktyget börjar användas skall alltid skyddsglasögon eller skyddsglasögon med sidoskydd och heltäckande ansiktsskydd användas när så behövs. Vi rekommenderar att en ansiktsskydd med brett synfält används ovanpå glasögonen eller standardskyddsglasögon med sidoskydd.

SÄKERHETSINSTRUKTIONER

Denna sida avbildar och beskriver säkerhetssymboler som kan visas på denna produkt. Läs igenom, förstå och följ alla instruktioner på maskinen innan försök görs att montera och hantera den.

	Säkerhetsvarning	Indikerar en potentiell risk för personskada.
	Läs igenom bruksanvisningen	För att minska risken för personskador måste användaren läst igenom och förstått bruksanvisningen innan denna produkt används.
	Använd skyddsglasögon!	Använd alltid skyddsglasögon eller säkerhetsglasögon med sidoskydd och en heltäckande ansiktsskydd när denna produkt används.
	Använd hörselskydd	Använd alltid bullerskydd (öronproppar eller hörselkåpor) för att skydda din hörsel.
	Använd skyddshjälm	Använd en godkänd skyddshjälm för att skydda huvudet.
	Använd skyddshandskar	Skydda dina händer med handskar när klingan och klingskyddet hanteras. Kraftiga och halkfria handskar förbättrar ditt grepp och skyddar dina händer.
	Använd skyddsskor	Använd halkfria skyddsskor vid användning av denna utrustning.
	Klippbredd	Max. skärbredd för kantrimmern
	Tråddiameter	Diametern på skärtråden av nylon
	Ingen rund klinga	Sätt inte in runda klingor.

	Håll obehöriga på avstånd	Se till att övriga personer och husdjur håller ett avstånd på minst 15 meter från trådtrimmern när den används.
	Håll obehöriga på avstånd	Se till att andra människor och husdjur förblir på minst 15m avstånd från grässtrimmern medan den används
	Får inte utsättas för regn	Använd inte i regn och lämna inte heller utomhus när det regnar.
	CE	Denna produkt är i enlighet med gällande EC-direktiv.
	WEEE	Förbrukade elektriska produkter får inte kastas i hushållssoporna. Lämna in dem till en auktoriserad återvinningsstation.
	Ljud	Garanterad ljudeffektnivå. Bulleremissioner för omgivningen enligt EU-direktivet.
V	Volt	Spänning
mm	Millimeter	Längd eller storlek
cm	Centimeter	Längd eller storlek
kg	Kilogram	Vikt

ALLMÄNNA SÄKERHETSVARNINGAR FÖR MOTORDRIVNA VERKTYG

⚠ VARNING! Läs igenom alla säkerhetsvarningar, instruktioner, illustrationer och specifikationer som medföljer detta motordrivna verktyg. Underlåtenhet att följa alla instruktioner som listas nedan kan resultera i elektriska stötar, brand och/eller allvarliga personskador. Spara alla varningar och instruktioner för framtida bruk.

Termen "motordrivet verktyg" i varningar avser ditt strömdrivna (med strömkabel) motordrivna verktyg eller batteridrivna (utan strömkabel) motordrivna verktyg.

SÄKERHET I ARBETSOMRÅDET

- Håll arbetsområdet rent och väl upplyst. Oordnade eller mörka områden kan orsaka olyckor.
- Använd inte motordrivna verktyg i explosiva miljöer som t.ex. i närvaron av brandfarliga vätskor, gaser eller damm. Motordrivna verktyg bildar gnistor som kan antända damm eller ångor.
- Håll barn och åskådare på avstånd när ett motordrivet verktyg används. Distraktioner kan få dig att tappa kontrollen.

PERSONLIG SÄKERHET

- **Var uppmärksam och observant samt använd sunt förnuft när du använder ett motordrivet verktyg. Använd inte ett motordrivet verktyg om du är trött eller under påverkan av droger, alkohol eller medicin.** Ett ögonblicks ouppmärksamhet kan leda till allvarliga personskador
- **Använd personlig skyddsutrustning. Använd alltid skyddsglasögon.** Om skyddsutrustning som t.ex. ansiktsmask, halkfria skyddsskor, hjälm och hörselskydd används minskas risken för personskador.
- **Förhindra oavsiktlig start. Säkerställ att strömbrytaren är i av-läget innan en strömkälla och/eller batteripaket ansluts, samt när verktyget plockas upp.** Att bära det motordrivna verktyget med fingret på strömbrytaren eller verktyg som är påslagna inbjuder till olyckor.
- **Ta bort alla inställningsverktyg och skruvnycklar innan det motordrivna verktyget slås på.** En skruvnyckel eller ett inställningsverktyg som lämnas på en roterande del av verktyget kan resultera i personskador.
- **Undvik att sträcka ut dig. Håll ett gott fotfäste och balans vid alla tillfällen.** Det ger dig bättre kontroll över det maskindrivna verktyget i oväntade situationer.
- **Använd korrekta kläder. Använd inte löst sittande kläder eller smycken. Håll hår, kläder och handskar borta från de rörliga delarna.** Löst sittande kläder, smycken och långt hår kan fastna i de rörliga delarna.
- **Om enheter för anslutning av dammupsamlare finns tillgängliga, se till att de är anslutna och används på korrekt sätt.** Användning av dammupsamlare kan minska dammrelaterade faror.
- **Var alltid uppmärksam vid användning av verktyget, även efter många användningstillfällen, och ignorera inte verktygets säkerhetsprinciper.** En vårdslös handling kan orsaka allvarliga personskador inom bråkdelen av en sekund.

ANVÄNDNING OCH SKÖTSEL AV MOTORDRIVET VERKTYG

- **Forcera inte det motordrivna verktyget. Använd ett korrekt motordrivet verktyg för din tillämpning.**

Ett korrekt motordrivet verktyg utför jobbet bättre och säkrare om det används för rätt tillämpning.

- **Använd inte det motordrivna verktyget om strömbrytaren inte kan slås på och av.** Alla motordrivna verktyg som inte kan kontrolleras med strömbrytaren är farliga och måste repareras.
- **Förvara motordrivna verktyg som inte används utom räckhåll för barn och låt inte personer som inte är bekanta med verktyget eller dessa instruktioner att använda det.** Motordrivna verktyg är farliga i händerna på oerfarna användare.
- **Underhåll motordrivna verktyg och tillbehör.** Kontrollera efter felinställning eller bindning av rörliga delar, brott på delar och alla andra tillstånd som kan påverka funktionen på det motordrivna verktyget. Om skadad, lämna in det motordrivna verktyget på reparation innan det används. Många olyckor beror på dåligt underhållna motordrivna verktyg.
- **Håll skärverktygen vassa och rena.** Korrekt underhållna skärverktyg med vassa skärkanter löper mindre risk för att fastna och är lättare att kontrollera.
- **Använd det motordrivna verktyget, tillbehör, insatsverktyg osv. i enlighet med dessa instruktioner och ta hänsyn till arbetsförhållanden och det arbete som ska utföras.** Om det motordrivna verktyget används för andra tillämpningar än det är avsett för kan det resultera i farliga situationer.
- **Håll handtagen och greppytan torra, rena och fria från olja och fett.** Halkiga handtag och greppytor förhindrar säker hantering och kontroll av verktyget vid oväntade situationer.
- **Håll kablar på avstånd från verktygets arbetsområde.** Kablar kan vara dolda under användning av verktyget och oavsiktligt skadas.

ANVÄNDNING OCH SKÖTSEL AV BATTERIDRIVET VERKTYG

- **Ladda endast med laddaren som anges av tillverkaren.** En laddare som är lämplig för en specifik typ av batteripack kan resultera i brand när den används med ett annat batteripack.
- **Använd endast motordrivna verktyg med avsedda batteripack.** Användning av andra batteripack kan orsaka personskador och brand.
- **När batteripacket inte används, håll det borta från metallobjekt som t.ex. pappersgem, mynt, nycklar, spikar, skruvar och andra små metallobjekt som kan bilda en anslutning från en batterikontakt till den andra.** Om batterikontakterna kortsluts kan det orsaka brännskador eller brand.

- **Vid felaktig användning kan vätska tränga ut från batteriet; undvik kontakt med vätskan. Om kontakt inträffar, skölj med vatten. Uppsök dessutom läkare om vätskan får kontakt med ögon.** Vätskan som trängt ut från batteriet kan orsaka irritationer eller brännskador.
- **Använd inte ett batteripack eller verktyg som skadats eller modifierats.** Skadade eller modifierade batterier kan leda till oförutsägbart uppträdande som leder till brand, explosion eller risk för personskador.
- **Utsätt inte batteripacket eller verktyget för eld eller extrema temperaturer.** Exponering av eld eller temperaturer över 100 °C kan orsaka explosion.
- **Följ alla laddningsinstruktioner och ladda inte batteripacket eller verktyget utanför det temperaturområde som anges i instruktionerna.** Felaktig laddning eller vid temperaturer utanför angivet temperaturområde kan skada batteriet och ökar risken för brand.

SERVICE

- **Serva ditt motordrivna verktyg hos en kvalificerad servicetekniker som endast använder identiska utbytesdelar.** Det säkerställer att säkerheten hos det motordrivna verktygets underhålls.
- **Utför aldrig service på skadade batteripack.** Service av batteripack bör endast utföras av tillverkaren eller auktoriserade serviceverkstäder.

⚠ WARNING: Läs igenom alla säkerhetsvarningar, instruktioner, illustrationer och specifikationer som medföljer detta motordrivna verktyg. Underlåtenhet att följa alla instruktioner som listas nedan kan resultera i elektriska stötar, brand och/eller allvariga personskador. Spara alla varningar och instruktioner för framtida bruk.
Spara alla varningar och instruktioner för framtida bruk.

UTBILDNING

- Läs igenom instruktionerna noga. Bekanta dig med kontrollera och korrekt användning av maskinen.
- Låt aldrig personer som är obekanta med dessa instruktioner eller barn använda apparaten. Lokala föreskrifter kan begränsa åldern för användare.
- Kom ihåg att operatören eller användaren är ansvarig för olyckor och faror som drabbar andra personer eller deras egendom.

FÖRBEREDELSE

- Använd aldrig maskinen när personer, i synnerhet barn, eller husdjur är i närheten.

- Använd alltid ögonskydd och kraftiga skor vid användning av maskinen.
- Avståndet mellan maskinen och åskådare måste vara minst 15 meter.
- Använd aldrig maskinen om du är trött, sjuk eller under påverkan av alkohol eller andra droger.

DRIFT

- Använd endast maskinen i dagsljus eller i bra artificiellt ljus.
- Använd aldrig maskinen med skadade skydd eller sköldar, eller utan skydd och sköldar på plats.
- Slå endast på motorn när händer och fötter inte är i närheten av skärenheten.
- Koppla alltid ur maskinen från strömförsörjningen (t.ex. ta bort batteripacket).
 - När maskinen lämnas obevakad.
 - Före en blockering åtgärdas.
 - Före kontroll, rengöring eller arbete utförs på apparaten.
 - Efter att ett främmande objekt träffats.
 - När maskinen börjar vibrera på ett onormalt sätt.
- Var försiktig med fötterna och händerna i närheten av skärenheten.
- Se alltid till att ventilationsöppningarna är fria från skärp.

UNDERHÅLL OCH FÖRVARING

- Koppla ur maskinen från strömförsörjningen (t.ex. ta bort batteripacket) innan underhåll eller rengöring utförs.
- Använd endast utbytesdelar och tillbehör som rekommenderas av tillverkaren.
- Inspektera och underhåll maskinen regelbundet. Överlåt reparation av maskinen till en auktoriserad reparatör.
- Förvara maskinen utom räckhåll för barn när den inte används.

ÖVRIGA SÄKERHETSVARNINGAR

- **Undvik farliga miljöer** – Använd inte apparater i fuktiga eller våta slutningar.
- **Håll skydden på plats och funktionsdugliga.**
- **Håll händer och fötter borta från röjningsområdet.**
- **För att minska risken för personskador ska du aldrig arbeta från en stege eller annat ostadigt stöd. Håll aldrig skärenheten ovanför midjehöjd.**
- **Kontrollera skärenheten med regelbundna, korta intervall eller omgående om skäregenskaperna förändras märkbart.**
- **För bästa resultat, ladda batteriet på en plats där temperaturen är högre än 5 °C och mindre än 40 °C.** Förvara det inte utomhus eller i ett fordon.

- **Om någon närmar sig, stoppa motorn och skärenheten.**
- **Varna operatören för faran med klingans slungkraft (enbart vid användning av 3-tandad klinga).**
 - Klingans slungkraft kan uppträda när den roterande klingan kommer i kontakt med ett föremål, som den inte skär omedelbart.
 - Klingans slungkraft kan vara tillräckligt våldsamt för att enheten och/eller operatören kastas iväg åt något håll och ev förlorar kontrollen över enheten.
 - Klingans slungkraft kan frigöras utan varning om klingan fastnar, överstegras eller kärvar.
 - Det är mer sannolikt att klingans slungkraft utlöses i områden, där det är svårt att se det material som beskåras.
- **Montera inte någon klinga på en enhet utan att alla erforderliga delar installeras. Underlåtenhet att använda rätta delar kan förorsaka att klinga lossnar och allvarligt skadar operatören och/eller åskådare. Kassera klingor som är böjda, skeva, spruckna, trasiga eller skadade på något sätt. Använd en vass klinga. Det är mer sannolikt att en slö klinga fastnar och kastar (enbart vid användning av 3-tandad klinga).**
- **Aktiverad klinga/tråd kan orsaka personskada så länge som den fortsätter att rotera sedan motorn stoppats eller avtryckaren släppts upp. Bibehåll ordentlig kontroll ända tills klingan/tråden helt slutat rotera.**
- **Batteridrivna verktyg behöver inte vara anslutna till ett eluttag och är därför alltid redo för användning.** Var medveten om eventuella faror även när verktyget inte är igång. Var försiktig när du utför underhåll eller service.
- **Tvätta inte av den med en slang; låt inte vatten tränga in i motorn och de elektriska anslutningarna.**
- **Om en situation som inte beskrivs i bruksanvisningen uppstår, använd försiktighet och gott omdöme. Kontakta EGO kundtjänstcenter för hjälp.**
- **Använd endast med de batteripack och laddare som listas i bild A.**

SPARA DESSA INSTRUKTIONER!

SE

SPECIFIKATIONER

Skärmekanism	Trådhuvid	
Trådens diameter	2,4 mm nylonlina	
Klippbredd	38 cm	
Obelastad hastighet	5000/6000 min ⁻¹	
Vikt (utan batteripack)	1,59 kg	
Rekommenderad drifttemperatur	0°C-40°C	
Rekommenderad förvaringstemperatur	-20°C-70°C	
Uppmätt ljudeffektnivå L _{WA}	94,6 dB(A) K=1,80 dB(A)	
Ljudtrycksnivå vid operatörens öra L _{PA}	83,2 dB(A) K=3 dB(A)	
Garanterad ljudeffektnivå L _{WA} (uppmätt i enlighet med 2000/14/EC)	96 dB(A)	
Vibration a _n	Främre handtag	1,1 m/s ² K=1,5 m/s ²
	Bakre handtag	1,4 m/s ² K=1,5 m/s ²

- Ovanstående parametrar har testats och utmätts med motorenhet PH1400E.
- Det angivna totalvärdet för vibration är uppmätt enligt standardprovningemetoden och kan användas för att jämföra olika verktyg;
- Det angivna totalvärdet för vibration kan även användas vid preliminär utvärdering av exponering.

OBS! Den verkliga vibrationen under arbete med det eldrivna verktyget kan avvika från det angivna värdet. Användaren bör ha på sig lämpliga handskar och hörselskydd för de aktuella arbetsförhållandena för att skydda sig.

LEVERANSLISTA

ARTIKELNAMN	ANTAL
Tillbehör för kanttrimmer	1
Skydd	1
Sexkantnyckel	1
Multifunktionell skiftnyckel	1
Bruksanvisning	1

För information om rekommenderad skärtråd, besök webbplatsen: egopowerplus.com eller se produktkatalogen för EGO.

BESKRIVNING

BEKANTA DIG MED TILLBEHÖRET FÖR KANTTRIMMERN (bild A)

1. Ändlock
2. Axel för kanttrimmern
3. Skärtråd
4. Trådhuvid (skärhuvid)
5. Frikopplingsfliik
6. Skärblad för trådkapning
7. Skydd
8. Insexnyckel
9. Multifunktionell skiftnyckel

⚠ VARNING! Använd aldrig verktyget utan att skyddet är korrekt på plats. Skyddet måste alltid vara monterat på verktyget för att skydda användaren.

MONTERING

⚠ VARNING! Om någon av delarna skadats eller saknas, använd inte denna produkt förrän delarna har bytts ut. Användning av denna produkt med skadade eller saknade delar kan resultera i allvarliga personskador.

⚠ VARNING! Försök inte att modifiera denna produkt eller skapa tillbehör som inte rekommenderas för användning med denna trådtrimmer. Alla sådana ändringar eller modifikationer är felaktig användning och resulterar i farliga förhållanden som kan leda till allvarliga personskador.

⚠ VARNING! Anslut inte motorenheten förrän monteringen är slutförd. Underlåtenhet att följa detta kan resultera i oavsiktlig maskinstart och allvarliga personskador.

MONTERA SKYDDET

⚠ VARNING! Använd alltid handskar vid montering eller utbyte av skyddet. Var försiktig med skärbladet inuti skyddet och skydda dina händer från att skadas av skärbladet.

Lossa och ta bort de två skruvarna från axelns bas (bild C), rikta in skyddets fästhål mot monteringshålen och lås sedan fast skyddet till axelns bas med de två skruvarna och fjäderbrickorna (bild D).

Säkerställ att skyddet är korrekt fastsatt enligt bild C och D. En omvänd fastsättning är mycket farligt!

ANSLUTA KANTTRIMMERNS TILLBEHÖR TILL MOTORENHETEN

Detta tillbehör för kantrimmern är utvecklat för användning med EGO-motorenhet PH1400E.

Se avsnittet ”**MONTERA ETT TILLBEHÖR TILL MOTORENHETEN**” i bruksanvisningen för motorenhet PH1400E.

ANVÄNDNING

⚠ VARNING! Var aldrig vårdslös, även om du är väl förtrogen med verktyget. Glöm inte att en bråkdel av en sekund av ouppmärksamhet är tillräcklig för att orsaka svåra personskador

⚠ VARNING! Använd alltid ögonskydd, tillsammans med hörselskydd. Underlåtenhet att följa detta kan resultera i att objekt slungas in i dina ögon eller leda till andra allvarliga personskador.

TILLÄMPNINGAR

Du kan använda denna produkt för de tillämpningar som listas nedan:

- Klippa gräs och ogräs runt verandor, staket och altaner.

OBS! Verktyget får endast användas för sitt avsedda ändamål. All annan användning bedöms som felaktig användning.

Kontrollera efter skadade/slitna delar före varje användning.

Kontrollera trimmerhuvudet, skyddet och det främre handtaget och byt ut delar som är spruckna, skeva, böjda eller skadade på något sätt.

Skärbladet för trädskapning kan bli slött efter en tid. Det rekommenderas att vassa det regelbundet med en fil eller byta ut det mot ett nytt skärblad.

⚠ VARNING! Använd alltid handskar när du monterar eller byter ut skyddet, eller när du vässar eller byter ut skärbladet. Observera skärbladets placering i skyddet och skydda dina händer från skador.

⚠ VARNING! För att förhindra allvarliga personskador, ta ut batteripacket ur motorenheten före service, rengöring, ändring av tillbehör eller borttagning av material från enheten.

ANVÄNDA KANTTRIMMERN MED MOTORENHETEN

⚠ VARNING! Använd korrekta kläder för att minska risken för personskador vid användning av detta verktyg. Använd inte löst sittande kläder eller smycken. Använd

ögon- och öron-/hörselskydd. Använd rejäla långbyxor, kängor och handskar. Använd inte kortbyxor, sandaler eller gå barfota.

⚠ VARNING! Rensa området som ska beskäras före varje användning. Ta bort alla objekt som t.ex. stenar, krossat glas, spikar, ledningar eller trådar som kan slungas ut eller trasslas in i skärenheten. Se till att inga barn, åskådare eller husdjur är inom området. Håll alla barn, åskådare och husdjur minst 15 meter bort. Det kan fortfarande finnas en risk för slungade föremål mot åskådare. Uppmuntra åskådare att använda skyddsglasögon. Om någon närmar sig dig, stoppa omedelbart motorn och skärenheten.

För en säkrare och bättre användning, använd axelremmen över din axel. Justera axelremmen för ett bekvämt arbetsläge. Håll kantrimmern med ena handen på det bakre handtaget och den andra handen på det främre handtaget. Håll verktyget stadigt med båda händerna vid användning. Kantrimmern bör hållas i ett bekvämt läge med det bakre handtaget kring höfthöjd. Trimmerhuvudet bör vara parallellt med marken så att den enkelt får kontakt med materialet som ska skäras utan att användaren behöver böja sig framåt (bild B).

⚠ VARNING! Axelremmen är även en snabb frigöringsmekanism vid farliga situationer. När ett nödläge inträffar, ta omedelbart av den från axeln oavsett vilket läge som remmen är i.

Rengör trimmern efter varje användning

Se avsnittet UNDERHÅLL för rengöringsinstruktioner.

STARTA/STOPPA VERKTYGET

Se avsnittet ”**STARTA/STOPPA MOTORENHETEN**” i bruksanvisningen för motorenhet PH1400E.

JUSTERA SKÄRTRÅDENS LÄNGD

Trimmerhuvudet låter operatören dra ut mer skärtråd utan att motorn behöver stoppas. När tråden blir fransig eller sliten kan mer tråd frigöras genom att knacka trimmerhuvudet lätt mot marken när trimmern är igång (bild E).

OBS! Tråden blir svårare att mata ut i takt med att skärtråden blir kortare.

⚠ VARNING! Ta inte bort eller modifiera skärbladet för tråden. En för lång tråd får motorn att överhettas och kan resultera i allvarliga personskador.

SE

BYTA UT TRÅDEN

OBS! Använd alltid rekommenderade nylontråd med en diameter som inte överstiger 2,4 mm. Om en annan skärtråd än den som anges används kan kantrimmern överhettas eller skadas.

⚠ VARNING! Använd aldrig metallförstärkta trådar, kablar eller rep osv. Dessa kan gå av och bli farliga projektiler.

1. Ta bort batteripaket
2. Ta bort den återstående skärtråden om så krävs. Dra bara ut den för hand.
3. Kapa en 4 m lång skärtråd, För in tråden i monteringshålet på insidan av hålet (bild F). Tryck in och dra tråden från den andra sidan tills en likvärdig längd visas på spolens båda sidor.
4. Tryck ner och vrid spolhållaren i pilens riktning för att linda in spolen tills cirka 14 cm av tråden visas på vardera sida (bild G).
5. Tryck ner spolhållaren medan tråden dras ut manuellt för att förlänga den och för att kontrollera att trimmerhuvudet är korrekt monterat.

När skärtråden går av från trådutgången eller om skärtråden inte frigörs när trimmerhuvudet knackas lätt, följ stegen nedan:

1. Ta bort batteripaket.
2. Tryck in flikarna på spolhållaren och ta bort spolhållaren genom att dra den rakt ut (bild H och I).
3. Ta bort skärtråden från spolhållaren.
4. Med en hand som håller spolbasen, använd den andra handen för att greppa spolhållaren och rikta in flikarna med hålen på spolbasen (bild J). Använd handflatan för att trycka in och vrida spolhållaren till höger och vänster tills flikarna blir fastlåsta med spolbasen (bild K).
5. Följ instruktionerna i "BYTA TRÅD" för att byta ut skärtråden.

När verktyget ska användas som en busktrimmer, följ stegen i bild L och M för att ta isär trimmerhuvudet.

UNDERHÅLL

⚠ VARNING! Före inspektion, rengöring eller service av enheten, stoppa motorn, vänta tills alla rörliga delar har stoppats och ta sedan ut batteripaketet. Underlåtenhet att följa dessa instruktioner kan resultera i allvarliga personskador eller skada på egendom.

⚠ VARNING! Vid service, används endast identiska utbytesdelar. Om andra delar används kan det skapa en fara eller orsaka produktskador. För att säkerställa produktens säkerhet och pålitlighet måste alla reparationer, förutom de som anges i dessa underhållsinstruktioner, utföras av en behörig servicetekniker.

ALLMÄNT UNDERHÅLL

Använd inte lösningsmedel när du rengör plastdelarna. De flesta plaster är känsliga för skador från olika typer av kommersiella lösningsmedel och kan skadas av dess användning. Använd rena trasor för att ta bort smuts, damm, olja, fett osv.

RENGÖRA ENHETEN

- Ta bort eventuellt gräs som lindats runt motoraxeln eller trimmerhuvudet.
- Använd en liten borste eller en liten dammsugare för att rengöra luftventilerna på det bakre höljet.
- Rengör enheten med en fuktad trasa och ett mildt rengöringsmedel.
- Använd inte starka rengöringsmedel på plasthöljet eller handtaget. De kan skadas av vissa aromatiska oljor som t.ex. tall och citron, samt av lösningsmedel som t.ex. fotogen. Fukt kan även utgöra en risk för elektriska stötar. Torka bort fukt med en mjuk och torr trasa.

SMÖRJNING AV VÄXELLÅDAN

Växellådan i växelhuset måste smörjas regelbundet med växellådsolja. Kontrollera växellådans fettnivå efter varje 50 timmars användning genom att ta bort tätningsskruven på sidan av växelhuset.

Om inget fett kan ses på sidorna av växellådan, följ stegen nedan för att fylla på med växellådsolja upp till 3/4 kapacitet.

Fyll inte upp den fullt.

1. Luta kantrimmern på sidan så att tätningsskruven är riktad uppåt.
2. Använd den multifunktionella skiftnyckeln (medföljer) för att lossa och ta bort tätningsskruven.
3. Använd en fettspruta (medföljer ej) för att trycka in lite fett i skruvhålet. Överskrid inte 3/4 kapacitet.
4. Dra åt tätningsskruven efter appliceringen.

FÖRVARA ENHETEN

- Ta bort batteriet från trimmern.
- Rengör maskinen noggrant innan den ställs av.

- Om kantrimmerns tillbehör tas bort från motorenheten och förvaras separat: Montera ändlocket på tillbehöraxeln för att undvika att smuts tränger in i kopplingen.
- Förvara enheten på en torr, välventilerad plats, inlåst eller högt upp, utom räckhåll för barn. Förvara inte enheten på eller i anslutning till gödningsmedel, bensin eller andra kemikalier.

Miljöskydd



Elektriska enheter, batteriladdare och batterier/uppladdningsbara batterier får inte kastas med hushållsavfall!

Enligt det europeiska direktivet 2012/19/EU ska uttjänta elektriska och elektroniska enheter samlas separat; samma gäller för defekta eller uttjänta batteripack/batterier enligt det europeiska direktivet 2006/66/EG.

Om elektriska enheter hamnar i soptippar eller avfallsdepåer kan farliga ämnen läcka ut till grundvattnet, hamna i näringskedjan och skada din hälsa och ditt välmående.

SE

FELSÖKNING

SE

PROBLEM	ORSAK	ÅTGÄRD
Grästrimmern startar inte.	<ul style="list-style-type: none"> ■ Batteripacket är inte monterat på motorenheten. ■ Det saknas elektrisk kontakt mellan motorenheten och batteripacket. ■ Batteripacket är urladdat. ■ Säkring och avtryckaren är inte nedtryckta samtidigt. 	<ul style="list-style-type: none"> ■ Montera batteripacket på motorenheten. ■ Ta bort batteriet, kontrollera kontakterna och sätt tillbaka batteripacket tills det klickar på plats. ■ Ladda batteripacket med EGO-laddarna som listas i denna bruksanvisning. ■ Håll säkringen nedtryckt och tryck sedan ner avtryckaren för att starta grästrimmern.
Grästrimmern stänger av sig under arbetet.	<ul style="list-style-type: none"> ■ Skyddet är inte monterat på trimmern vilket har lett till för lång skärtråd och överbelastning av motorn. ■ För tjock skärtråd används. ■ Gräs har fastnat på motorskaftet eller trimmerhuvudet. ■ Motorn är överbelastad. ■ Batteripacket eller trimmern är för varmt. ■ Batteripacket är inte anslutet till verktyget. ■ Batteripacket är urladdat. 	<ul style="list-style-type: none"> ■ Ta ut batteripacket och montera skyddet på trimmern. ■ Använd rekommenderad nylontråd med en diameter som inte överstiger 2,4 mm. ■ Stäng av trimmern, ta ut batteriet och rensa motorskaftet och trimmerhuvudet från gräs. ■ Lyft upp trimmerhuvud från gräset. Motorn fortsätter att köra när belastningen avtar. Flytta trimmerhuvudet in i och ut ur gräset som ska klippas och klipp inte mer än 20cm i taget. ■ Låt batteripacket eller trimmern svalna ned tills temperaturen är under 67°C. ■ Anslut batteripacket igen. ■ Ladda batteripacket med EGO-laddarna som listas i denna bruksanvisning.
Trimmerhuvudet matar inte fram ny skärtråd.	<ul style="list-style-type: none"> ■ Gräs har fastnat på motorskaftet eller trimmerhuvudet ■ Det finns inte tillräckligt med tråd på spolen. ■ Smutsigt trimmerhuvud ■ Tilltraslad tråd på spolen ■ För kort tråd 	<ul style="list-style-type: none"> ■ Stäng av trimmern, ta ut batteriet och rensa motorskaftet och trimmerhuvudet från gräs. ■ Ta ut batteriet och montera ny tråd enligt avsnittet "BYTE AV SKÄRTRÅD" i bruksanvisningen. ■ Ta ut batteriet och rengör spolhållaren och spolsockeln. ■ Ta ut batteriet, ta av tråden från spolen och linda den på nytt; följ instruktionerna i avsnittet "BYTE AV SKÄRTRÅD" i bruksanvisningen ■ Ta ut batteriet och dra i trådarna medan du trycker ner och släpper stöthuvudet upprepade gånger

PROBLEM	ORSAK	ÅTGÄRD
Gräs fastnar i trimmerhuvudet och motorhöljet.	<ul style="list-style-type: none"> ■ Klippning av högt gräs vid marknivå. 	<ul style="list-style-type: none"> ■ Skär högt gräs nerifrån och upp, kapa inte mer än 20 cm per svep för att undvika grästrassel.
Skärbladet skär inte av tråden.	<ul style="list-style-type: none"> ■ Trådkniven på skyddets kant är slö. 	<ul style="list-style-type: none"> ■ Slipa trådkniven med en fil eller byt ut den mot en ny kniv.
Sprickor på trimmerhuvudet eller spolhållaren lossnar med spolbasen.	<ul style="list-style-type: none"> ■ Trimmerhuvudet är slitet. 	<ul style="list-style-type: none"> ■ Byt omedelbart ut trimmerhuvudet; följ avsnittet “BYTA UT TRIMMERHUVUD” i denna bruksanvisning.
Vid byte av tråden kan inte tråden matas in korrekt i trimmerhuvudet.	<ul style="list-style-type: none"> ■ Spolbehållarens belastningstrådar stämmer inte överens med hålen i spolbasen. ■ Skärtråden har inte förts in korrekt i monteringshålen. 	<ul style="list-style-type: none"> ■ Vrid spolhållaren i pilens riktning för att rikta in belastningstråden på spolhållaren med hålen på spolens bas. ■ Rikta först in belastningstrådarna med hålen och för sedan in tråden i monteringshålet på insidan.

SE

GARANTI

GARANTIVILLKOREN AV EGO

Var god besök webbplatsen egopowerplus.com för att se de fullständiga garantivillkoren av EGO.

LUE KAIKKI OHJEET!



LUE KÄYTTÖOPAS

⚠️ A VAARA: Henkilöiden, joilla on elektroniikkalaitteita, kuten sydämentahdistimia, tulee neuvotella lääkärin kanssa ennen tuotteen käyttöä. Sähkölaitteiden käyttö sydämentahdistimen läheisyydessä voi aiheuttaa tahdistimeen häiriötä tai vikoja

⚠️ VAROITUS: Valtuutetun huoltoteknikon tulee suorittaa kaikki korjaukset ja osien vaihdot, jotta voidaan taata tuotteen turvallinen ja luotettava käyttö.

FI

TURVALLISUUSYMBOLIT

Turvamerkkien tavoitteena on kiinnittää huomio mahdollisiin vaaroihin. Sinun tulee lukea huolellisesti käyttöohjeet ja ymmärtää turvamerkit ja niiden selitteet. Turvamerkit eivät itsessään poista vaaraa. Niiden antamat ohjeet ja varoitukset eivät korvaa asianmukaisia tapaturman torjuntatoimenpiteitä.

⚠️ VAROITUS: Lue ja ymmärrä tämän käyttöoppaan kaikki turvallisuusohjeet, mukaan lukien kaikki turvallisuusvaroitussymbolit, kuten "VAARA", "VAROITUS" ja "HUOMIO" ennen laitteen käyttämistä. Alla olevien ohjeiden noudattamatta jättäminen saattaa aiheuttaa sähköiskun, tulipalon ja/tai vakavan henkilövahingon.

SYMBOLIN MERKITYS

⚠️ TURVALLISUUSVAROITUKSEN SYMBOLI:

Ilmaisee VAARAA, VAROITUSTA tai HUOMIOTA, voidaan käyttää muiden symboleiden tai kuvamerkkien yhteydessä.



⚠️ VAROITUS: Minkä tahansa sähkötyökalun käyttö saattaa aiheuttaa vierasesineiden sinkoutumisen silmiin, mikä voi aiheuttaa vakavia silmävammoja. Käytä aina suojalaseja, joissa on sivusuojat, ja tarvittaessa koko kasvat peittävää suojaa, kun käytät sähkötyökaluja. Silmälasiensa päällä suosittelamme käytettäväksi suojamaskia, jossa on laaja näkökenttä, tai tavallisia suojalaseja, joissa on sivusuojat.

TURVALLISUUSOHJEET

Tällä sivulla kuvataan ja esitellään turvallisuussymbolit, jotka saattavat esiintyä tässä tuotteessa. Lue, ymmärrä ja noudata kaikkia laitteen ohjeita ennen kuin yrität koota sen tai käyttää sitä.

	Turvallisuushälytys	Ilmaisee mahdollista henkilövahingon vaaraa.
	Läs Igenom Bruksanvisningen	Käyttäjän tulee ennen käytön aloittamista lukea käyttöopas ja ymmärtää se loukkaantumisriskin pienentämiseksi.
	Använd skyddsglasögon!	Käytä aina suojalaseja, joissa on sivusuojat, ja koko kasvat peittävää suojaa, kun käytät laitetta.
	Använd hörselskydd	Käytä aina kuulosuojaimia (korvatulpat tai kupusuojaimet) suojaamassa kuuloasi.
	Käytä suojakypärää	Käytä hyväksyttyä suojakypärää suojataksesi pääsi.
	Käytä suojakäsineitä	Käytä suojakäsineitä, kun käsittelet terää tai teränsuojusta. Kestävät, liukumattomat hansikkaat parantavat otetta ja suojaavat käsiäsi.
	Käytä turvajalkineita	Käytä luistamattomia turvajalkineita laitteen käytön aikana.
	Leikkausleveys	Siimaleikkurin maks. leikkuuleveys
	Siiman halkaisija	Nylonvalmisteisen leikkuusiiman halkaisija
	Ei pyöreää terää	Älä asenna pyöreitä leikkuuteriä.
	Pidä sivulliset loitolla	Varmista, että muut ihmiset ja lemmikkieläimet ovat vähintään 15 m päässä trimmeristä sen ollessa käytössä.

	Pidä sivulliset loitolla	Varmista, että muut ihmiset ja lemmikkieläimet ovat vähintään 15 m päässä trimmeristä sen ollessa käytössä
	Älä altista sateelle	Älä käytä sateella tai jätä sitä ulos sateeseen.
	CE	Tämä tuote vastaa sovellettavia EU-direktiivejä.
	WEEE	Vanhjoja sähkölaitteita ei saa hävittää kotitalousjätteen mukana. Vie laite valtuutettuun kierrätyslaitokseen.
	Melu	Taattu äänen tehotaso. Melupäästöt ympäristöön Euroopan yhteisön direktiivin mukaiset.
V	Voltti	Jännite
mm	Millimetri	Pituus tai koko
cm	Senttimetri	Pituus tai koko
kg	Kilogramma	Paino

YLEISET SÄHKÖTYÖKALUJEN TURVALLISUUSVAROITUKSET

⚠ WARNING: Lue kaikki tämän sähkötyökalun mukana tulleet turvallisuusvaroitukset, ohjeet, piirustukset ja tekniset tiedot. Jos kaikkia alla olevia ohjeita ei noudateta, seurauksena saattaa olla sähköisku, tulipalo ja/tai vakava loukkaantuminen. **Säilytä kaikki varoitukset ja ohjeet myöhempää käyttöä varten.**

Varoituksissa käytetty termi ”sähkötyökalu” tarkoittaa joko verkkovirtakäyttöistä (johdollista) sähkötyökalua tai akkukäyttöistä (johdotonta) sähkötyökalua.

TYÖALUEEN TURVALLISUUS

- Pidä työskentelyalue siistinä ja hyvin valaistuna. Sotkuiset tai hämärät alueet aiheuttavat onnettomuuksia.
- Älä käytä sähkötyökaluja räjähdysriskissä ympäristössä, kuten syttyvien nesteiden, kaasujen tai pölyn läheisyydessä. Sähkötyökalut muodostavat kipinöitä, jotka saattavat sytyttää pölyn tai höyryt.

- Älä päästä lapsia tai sivullisia lähelle, kun käytät sähkötyökaluja. Häiriötekijät voivat aiheuttaa hallinnan menettämisen.

HENKILÖKOHTAINEN TURVALLISUUS

- **Ole valpas, tarkkaavainen ja käytä maalaisjärkeä, kun käytät sähkötyökalua. Älä käytä sähkötyökalua, kun olet väsynyt tai kun olet huumeiden, alkoholin tai lääkityksen vaikutuksen alaisena.** Hetkellinenkin huomion herpaantuminen sähkötyökalua käytettäessä saattaa aiheuttaa vakavan henkilökohtaisen vamman.
- **Käytä henkilönsuojaimia. Käytä aina suojalaseja.** Tarvittaessa käytettävät suojavarusteet, kuten hengityssuojain, liukusteelliset turvakengät, suojakypärä tai kuulosuojaimet, vähentävät henkilövahinkoja.
- **Estä vahingossa käynnistyminen. Varmista, että kytkin on off-asennossa, ennen kuin liität virtalähteen ja/tai akun, nostat laitteen tai kannat sitä.** Sähkötyökalujen kantaminen niin, että sormesi on kytkimellä, tai sähkötyökaluihin virran kytkeminen kytkin päällä voi aiheuttaa onnettomuuksia.
- **Poista kaikki säätöön käytetyt avaimet tai kiintoavaimet ennen kuin käynnistät sähkötyökalun.** Sähkötyökalun pyöriivään osaan jätetty avain tai kiintoavain saattaa aiheuttaa henkilövamman.
- **Älä kurkottele. Säilytä aina tukeva asento ja hyvä tasapaino.** Näin hallitset sähkötyökalun parhaalla mahdollisella tavalla odottamattomissa tilanteissa.
- **Pukeudu asianmukaisesti. Älä käytä väljiä vaatteita tai koruja. Pidä hiuksesi, vaatteesi ja käsineesi poissa liikkuvien osien läheltä.** Väljät vaatteet, korut tai pitkät hiukset voivat takertua liikkuviin osiin.
- **Jos laitteissa on liitännät pölynpoistolaitteille ja keräilylaitteille, varmista, että ne on liitetty ja niitä käytetään oikein.** Tomulaitteiden käyttö voi vähentää tomuun liittyviä vaaroja.
- **Älä anna tuotteen tuttuuden toistuvan käytön takia tehdä sinua liian itsevarmaksi, äläkä jätä työkalun turvallisuusohjeita noudattamatta.** Huolimaton toiminta voi aiheuttaa vakavan henkilövahingon sekunnin murto-osassa.

SÄHKÖTYÖKALUJEN KÄYTTÖ JA YLLÄPITO

- **Älä pakota sähkötyökalua. Käytä omaan käyttötarkoitukseesi soveltuvaa sähkötyökalua.** Oikeaa sähkötyökalua käyttämällä teet työn paremmin ja turvallisemmin laitteelle tarkoitetulla teholla.

- **Älä käytä sähkötyökäluä, jos sitä ei saa käynnistettyä ja suljettua kytkimellä.** Sähkötyökäluun, jota ei voida hallita kytkimellä, käyttö on vaarallista ja laite on korjattava.
- **Säilytä käyttämättömiä sähkötyökäluja lasten ulottumattomissa, äläkä anna henkilöiden, jotka eivät tunne sähkötyökäluä tai näitä ohjeita, käyttää sähkötyökäluun.** Sähkötyökälu ovat vaarallisia kokemattomien käyttäjien käsissä.
- **Huolla sähkötyökäluä ja lisävarusteet. Tarkista, että liikkuvat osat ovat kunnolla paikallaan, että osat ovat ehjiä, ja että sähkötyökäluä ei ole muita ongelmia, jotka saattaisivat vaikuttaa sen toimintaan. Jos sähkötyökälu on vahingoittunut, korjauta se ennen käyttöä.** Monet onnettomuudet johtuvat huonosti ylläpidetyistä sähkötyökäluista.
- **Pidä leikkuutyökäluä terävinä ja puhtaina.** Hyvin huolletut leikkaustyökäluä, joissa on terävät reunat, eivät todennäköisesti jumiuudu ja niitä on helpompi hallita.
- **Käytä sähkötyökäluja, lisävarusteita ja teriä yms. näiden ohjeiden mukaisesti ja niin, että otat huomioon käyttöolosuhteet ja tehtävän työn.** Sähkötyökälujen käyttö muihin kuin niille suunniteltuihin tarkoituksiin saattaa aiheuttaa vaaratilanteen.
- **Pidä kahvat ja tartuntapinnat kuivina, puhtaina, öljyttöminä ja rasvattomina.** Liukkaat kahvat ja tartuntapinnat eivät mahdollista työkalun turvallista käsittelyä ja hallintaa odottamattomissa tilanteissa.
- **Pidä johdot poissa työkalun työskentelyalueelta.** Käytön aikana johdot voivat olla näkymättömissä, jolloin työkalu voi vahingossa katkaista ne.

AKKUTYÖKÄLUN KÄYTTÖ JA YLLÄPITO

- **Lataa vain valmistajan määrittelemällä laturilla.** Tietynlaisen laturin käyttö tietynlaisen akun kanssa saattaa aiheuttaa tulipalon riskin, jos sitä käytetään toisenlaisen akun kanssa.
- **Käytä sähkötyökäluja vain niille erikseen määriteltyjen akkujen kanssa.** Muunlaisten akkujen käyttö saattaa aiheuttaa vamma- tai tulipaloriskin.
- **Kun akku ei ole käytössä, pidä se erillään metalliesineistä, kuten paperiliittimet, kolikot, avaimet, naulat, ruuvit ja muut pienet metalliesineet, jotka voivat yhdistää akun navat toisiinsa.** Akun napojen oikosulku voi aiheuttaa palovammoja tai tulipalon.
- **Akusta voi valua nestettä väärästä käytöstä johtuen. Vältä kosketusta nesteeseen.** Jos kosket nesteeseen vahingossa, huuhtele vedellä. Jos nestettä pääsee silmiin, hakeudu lääkärin hoitoon. Akusta valuva neste voi aiheuttaa ärsytystä tai palovammoja.

- **Älä käytä akkuä tai työkaluä, joka on vaurioitunut tai jota on muutettu.** Vaurioituneet tai muutetut akut voivat käyttäytyä arvaamattomasti ja aiheuttaa tulipalon, räjähdysten tai henkilövahingon vaaran.
- **Älä altista akkuä tai työkaluä tulelle tai äärimmäisille lämpötiloille.** Altistaminen yli 100 °C:n lämpötilalle voi aiheuttaa räjähdysten.
- **Noudata kaikkia latausohjeita. Älä lataa akkuä tai työkaluä lämpötilassa, joka ole ohjeissa ilmoitetun lämpötila-alueen sisällä.** Virheellinen lataaminen tai lataaminen ilmoitetun lämpötila-alueen ulkopuolella olevassa lämpötilassa voi vaurioittaa akkuä ja lisätä palovaaraa.

HUOLTO

- **Huollata sähkötyökäluä asiantuntevalla korjaajalla, joka käyttää vain identtisiä varaosia.** Näin taataan sähkötyökäluun turvallisuuden säilyminen.
- **Älä koskaan huolla vaurioituneita akkuja.** Akkujen huollon saa tehdä vain valmistaja tai sen valtuuttamat huoltoilikkeet.

VAROITUS: Lue kaikki tämän sähkötyökäluun mukana tuleet turvallisuusvaroitukset, ohjeet, piirustukset ja tekniset tiedot. Jos kaikkia alla olevia ohjeita ei noudateta, seurauksena saattaa olla sähköisku, tulipalo ja/tai vakava loukkaantuminen. Säilytä kaikki varoitukset ja ohjeet myöhempää käyttöä varten. Säilytä kaikki varoitukset ja ohjeet myöhempää käyttöä varten.

OPETTELU

- Lue ohjeet huolellisesti. Tutustu säätimiin ja koneen oikeaan käyttöön.
- Älä anna ohjeisiin perehtymättömien henkilöiden tai lasten käyttää laitetta. Paikalliset määräykset saattavat rajoittaa käyttäjän ikää.
- Muista, että käyttäjä on vastuussa onnettomuuksista tai vaaratilanteista, jotka kohdistuvat sivullisiin tai omaisuuteen.

VALMISTELU

- Älä ikinä käytä laitetta, kun lähellä on ihmisiä, erityisesti lapsia, tai lemmikkieläimiä.
- Käytä aina silmäsuojaimia ja suojaavia kenkiä, kun käytät laitetta.
- Laitteen ja sivullisten välillä tulisi olla vähintään 15 metrin etäisyys.
- Älä käytä konetta, jos olet väsynyt, sairastunut tai alkoholin tai lääkkeiden vaikutuksen alaisena.

KÄYTTÄMINEN

- Käytä laitetta vain päivänvalossa tai hyvässä keinolaistuksessa.
- Älä ikinä käytä laitetta, jonka suojat tai suojukset ovat vahingoittuneet tai jossa ei ole lainkaan suoja- tai suojuksia.
- Käynnistä moottori vasta silloin, kun kädet ja jalat ovat etäällä leikkaavista osista.
- Irrota siimaleikkuri aina virtalähteestä (eli irrota akku).
 - kun jätät laitteen vartioimatta;
 - ennen kuin puhdistat tukoksen;
 - ennen kuin tarkistat tai puhdistat laitteen tai teet sille jotain muuta;
 - kun olet osunut vieraaseen esineeseen;
 - kun laite alkaa väristä epänormaalisti.
- Varo, etteivät kätesi tai jalkasi vahingoitu leikkuuteristä.
- Varmista, että tuuletusaukot ovat aina puhtaat roskista.

KUNNOSSAPITO JA SÄILYTYS

- Irrota kone aina virtalähteestä (eli irrota akku) ennen kunnossapitotoimenpiteitä tai puhdistamista.
- Käytä vain valmistajan suosittelemia varaosia ja lisävarusteita.
- Tarkasta laite ja kunnossapida sitä säännöllisesti. Anna vain valtuutettujen korjaajien korjata laite.
- Kun laite ei ole käytössä, säilytä sitä lasten ulottumattomissa.

MUUT TURVALLISUUSVAROITUKSET

- Vältä vaarallisia olosuhteita – älä käytä laitteita kosteissa tai märissä rinteissä.
- Pidä suojukset paikallaan ja toimintakuntoisina.
- Pidä kätesi ja jalkasi etäällä leikkuualueesta.
- Älä koskaan työskentele tikkailla tai muilla epävakailta alustoilla henkilövahinkojen vaaran välttämiseksi. Älä ikinä pidä leikkuuterää vyötärötasoa korkeammalla.
- Tarkasta leikkuuterä säännöllisin väliajoin käytön aikana tai heti, jos laitteen leikkuuteho muuttuu merkittävästi.
- Parhaan tuloksen saat, kun akku ladataan tilassa, jonka lämpötila on yli 5 °C, mutta alle 40 °C. Älä säilytä ulkona tai ajoneuvoissa.
- Jos joku lähestyy sinua, sammuta moottori ja leikkulaite.
- Varoita käyttäjää terän takapotkun aiheuttamasta vaarasta (vain käytettäessä 3-hampaista terää).

- Takapotku saattaa tapahtua, kun pyörivä terä osuu kohteeseen, joka ei heti katkea.
- Terän takapotku voi olla niin voimakas, että laite ja/ tai käyttäjä lennähtävät mihin tahansa suuntaan ja käyttäjä voi menettää laitteen hallinnan.
- Terän takapotku tapahtuu ilman varoituslaitea, jos terä jää kiinni ja pysähtyy.
- Takapotku tapahtuu usein alueilla, joissa sahattavaa materiaalia on vaikea nähdä.
- Älä kiinnitä terää laitteeseen, ellei kaikkia tarvittavia osia ole kiinnitetty kunnolla. Asianmukaisten osien käytön laiminlyönti voi aiheuttaa terän sinkoutumisen irti ja aiheuttaa vakavan henkilövahingon käyttäjälle ja/ tai sivullisille. Hävitätä taipuneet, vääntyneet, murtuneet, rikkoutuneet tai muulla tavalla vaurioituneet terät. Käytä terävää terää. Tylsä terä jää kiinni helpommin ja aiheuttaa takapotkun (käytettäessä 3-hampaista terää).
- Liikkuva terä/siima voi aiheuttaa henkilövahingon, jos se jatkaa pyörimistä moottorin sammuttamisen tai liipaisimen vapauttamisen jälkeen. Pidä työkalu kunnolla hallinnassa, kunnes terä/siima on täysin pysähtynyt
- Akkutyökaluja ei tarvitse liittää sähköverkkoon. Tästä syystä ne ovat aina käyttökunnossa. Huomioi mahdolliset vaarat myös silloin, kun työkalu ei ole käynnissä. Ole varovainen tehdessäsi kunnossapito- tai huoltotoimenpiteitä.
- Älä puhdistat letkulla; vältä veden pääsemistä moottoriin ja sähköliitäntöihin.
- Jos kohtaat tilanteen, jota ei tässä käyttöoppaassa käsitellä, toimi varoen ja käytä omaa harkintakykyäsi. Pyydä lisäohjeita EGO-asiakaspalvelusta.
- Käytä vain kuvassa A luettujen akkujen ja latureiden kanssa.

SÄILYÄ NÄMÄ OHJEET!

MÄÄRITYKSET

Leikkausmekanismi	Kupupää	
Siiman läpimitta	2,4 mm:n kierresiima nailonista	
Leikkausleveys	38 cm	
Tyhjäkäyntinopeus	5000/6000 min ⁻¹	
Paino (ilman akkua)	1,59 kg	
Suositteltu käyttölämpötila	0°C-40°C	
Suositteltu säilytyslämpötila	-20°C-70°C	
Mitattu äänen tehotaso L _{WA}	94,6 dB(A) K=1,80 dB(A)	
Äänenpaineen taso käyttäjän korvien tasolla L _{PA}	83,2 dB(A) K=3 dB(A)	
Taattu äänen tehotaso L _{WA} (mitattu 2000/14/EC:n mukaisesti)	96 dB(A)	
Värinä a _h	Edessä oleva apukahva	1,1 m/s ² K=1,5 m/s ²
	Takakahva	1,4 m/s ² K=1,5 m/s ²

- Edellä esitetyt parametrit on testattu ja mitattu akkupään PH1400E kanssa.
- Ilmoitettu värinän kokonaisarvo on mitattu standardikoemenetelmän mukaan ja sitä voidaan käyttää verrattaessa työkaluja keskenään
- Ilmoitettua värinän kokonaisarvoa voidaan myös käyttää altistumisen ennakoarvioinnissa.

HUOMAA: Sähkötyökalun todellisen käytön aikana ilmenevä värinä voi erota työkalun käyttöle ilmoitetusta arvosta. Käyttäjän suojelemiseksi on todellisissa käyttöolosuhteissa käytettävä käsineitä ja kuulosuojaimia.

PAKKAUSLUETTELO

OSAN NIMI	MÄÄRÄ
Siimaleikkurilisäosa	1
Suojus	1
kuusiokoloavain	1
Monitoimiavain	1
Käyttäjän käsikirja	1

Tiedot suositellusta leikkuusiimasta ovat verkkosivustolla egopowerplus.com tai EGO-tuoteluettelossa.

KUVAUS

SIIMALEIKKURILISÄOSAN OSAT (kuva A)

- Päätytulppa
- Siimaleikkurin varsi
- Leikkuusiima
- Leikkurin pää (kupupää)
- Vapautusuloke
- Siimaleikkurin terä
- Suoja
- Kuusiokoloavain
- Monitoimiavain

VAROITUS: Älä koskaan käytä työkalua ilman, että suoja on kunnolla paikallaan. Suojan on aina oltava työkalussa käyttäjän suojaamiseksi.

KOKOONPANO

VAROITUS: Jos jokin osa on vahingoittunut tai puuttuu, älä käytä tuotetta ennen kuin osat on vaihdettu. Tuotteen käyttö silloin, kun siinä on vahingoittuneita osia tai osia puuttuu, saattaa aiheuttaa vakavan henkilövamman.

VAROITUS: Älä yritä muokata tätä laitetta tai luoda sille lisävarusteita, joita ei suositella käytettäväksi tämän siimaleikkurin kanssa. Mikä tahansa tällainen muokkaus tai muutos on väärinkäytös ja saattaa aiheuttaa vaarallisen tilan, joka saattaa johtaa vakavaan henkilövammaan.

VAROITUS: Älä yhdistä akkupäähän, ennen kuin laite on valmiiksi koottu. Tämän ohjeen noudattamatta jättäminen saattaa aiheuttaa tahattoman käynnistymisen ja johtaa vakavaan henkilövahinkoon.

SUOJUKSEN KIINNITTÄMINEN

VAROITUS: Käytä aina käsineitä, kun kiinnität tai vaihdat suojaa. Varo suojan terää. Huolehdi siitä, että suojan terä ei leikkaa käsiäsi.

Löystä ja poista kaksi yhdistelmäruuvia varren tyvestä (kuva C). Linjaa suojuksen kiinnitysaukot kokoonpanoaukkojen kanssa ja lukitse suojus sitten varren tyveen ruuvien ja jousialuslaattojen kanssa (kuva D).

Varmista, että suojus on paikallaan kuvien C ja D mukaisesti, käänteinen kiinnitys aiheuttaa merkittävän vaaran!

SIIMALEIKKURILISÄOSAN KIINNITTÄMINEN AKKUPÄÄHÄN

Tämä siimaleikkurilisäosa on suunniteltu käytettäväksi EGO-akkupään PH1400E kanssa.

Katso akkupään PH1400E käyttöoppaasta kohta "LISÄOSAN ASENTAMINEN AKKUPÄÄHÄN".

KÄYTTÖ

VAROITUS: Älä anna perehtyneisyyden tuotteeseen saada sinua huolimattomaksi. Muista, että sekunnin murto-osa huolimattomuutta riittää aikaansaamaan vakavan henkilövahingon.

VAROITUS: Käytä aina suojalaseja ja kuulosuojaimia. Tämän ohjeen laiminlyöminen saattaa aiheuttaa esineiden sinkoutumisen silmiin ja mahdollisen vakavan henkilövahingon.

KÄYTTÄMINEN

Voit käyttää laitetta alla lueteltuihin tarkoituksiin:

- Käytetään ruohon ja rikkaruohojen poistamiseen terrassien, aitojen ja laattojen ympäriltä.

HUOMAA: Laitetta tulee käyttää vain sille tarkoitettuun tarkoitukseen. Kaikki muu käyttö katsotaan väärinkäytöksi.

Tarkasta ennen jokaista käyttöä vaurioituneiden/ kuluneiden osien varailta.

Tarkasta leikkurin pää, suojuus ja etuapukahva. Vaihda murtuneet, vääntyneet, taipuneet tai muulla tavoin vaurioituneet osat.

Suojuksen reunassa oleva siimaleikkurin terä voi tulyä ajan myötä. Suosittelemme, että teroitat sen määräajoin viilalla tai vaihdat sen uuteen terään.

VAROITUS: Käytä aina käsineitä, kun asennat suojusta tai teroitat terää tai vaihdat terän. Huomioi terän sijainti suojuksessa ja suojele käsiäsi leikkautumiselta.

VAROITUS: Vakavan henkilövahingon välttämiseksi poista akku akkupäästä ennen kuin huollat tai puhdistat sitä tai vaihdat siihen lisäosia tai poistat materiaalia laitteesta.

SIIMALEIKKURIN KÄYTTÄMINEN AKKUPÄÄN KANSSA

VAROITUS: Pukeudu asianmukaisesti, niin vähennät loukkaantumisvaaraa tätä laitetta käytettäessä. Älä käytä välijä vaatteita tai koruja. Käytä suojalaseja ja kuulosuojaimia. Käytä paksuja, pitkälahkeisia housuja, kunnollisia jalkineita ja suojakäsineitä. Älä käytä lyhytlahkeisia housuja, sandaaleita tai ole paljain jaloin.

VAROITUS: Puhdista leikattava alue ennen jokaista käyttökertaa. Poista kaikki esineet, kuten kivet, rikkoutunut lasi, naulat, vajjerit tai siimat, jotka voivat sinkoutua leikkuulaitteesta tai sotkeutua siihen. Tyhjennä alue lapsista, sivullisista ja lemmikkieläimistä. Pidä lapset, sivulliset ja lemmikkieläimet vähintään 15 metrin päässä. Sinkoutuvat esineet voivat silti vielä aiheuttaa vaaraa sivullisille. Sivullisia tulee kannustaa pitämään suojalaseja. Jos joku lähestyy sinua, sammuta moottori ja leikkuulaite välittömästi.

Käytön turvallisuuden ja sujuvuuden takia laita olkahihna olan yli. Säädä olkahihnaa, kunnes käyttöasento on mukava. Pidä siimaleikkurista kiinni aina niin, että toinen kätesi on takakahvalla ja toinen kätesi etuapukahvalla. Pidä kummallakin kädellä kunnan ote käytön aikana. Siimaleikkuri tulee pitää miellyttävässä asennossa ja takakahva noin lonkan korkeudella. Leikkurin pää on suorassa linjassa maan kanssa sopivalla leikkuuetäisyydellä ilman käyttäjän kumartumista (kuva B).

VAROITUS: Olkahihna on myös nopea vapautusmekanismi vaaratilanteissa. Kun on hätätilanne, ota laite olaltasi välittömästi riippumatta hihnan asennosta.

Puhdista leikkuri jokaisen käyttökerran jälkeen.

Katso HUOLTO-osiosta puhdistamisohjeet.

TYÖKALUN KÄYNNISTÄMINEN/SAMMUTTAMINEN

Katso akkupään PH1400E käyttöoppaasta kohta "AKKUPÄÄN KÄYNNISTÄMINEN/SAMMUTTAMINEN".

LEIKKAUSSIIMAN PITUUDEN SÄÄTÄMINEN

Käyttäjä voi siimapään avulla vapauttaa lisää leikkuusiimaa moottoria sammuttamatta. Kun siima hankautuu tai kuluu, siimaa voidaan vapauttaa lisää kopauttamalla leikkurin päätä kevyesti maahan leikkurin käytön aikana (kuva E).

HUOMAA: Siiman vapautus vaikeutuu, kun leikkaussiima lyhenee.

VAROITUS: Älä poista siimaleikkurin teräkokooppaanoa tai muuta sitä. Ylimääräinen siiman pituus aiheuttaa moottorin ylikuumentumisen ja voi aiheuttaa vakavan henkilövahingon.

SIIMAN VAIHTAMINEN

HUOMAA: Käytä aina suositeltua nailonleikkuusiimaa, jonka halkaisija on korkeintaan 2,4 mm. Muunlaisen siiman käyttäminen saattaa aiheuttaa siimaleikkurin kuumentumisen tai vaurioitumisen.

VAROITUS: Älä käytä koskaan metallilla vahvistettua siimaa, rautalankaa, narua yms. Ne saattavat katketa ja muuttua vaarallisiksi ammuksiksi.

1. Poista akku.
2. Poista jäljellä oleva siima, mikäli tarpeen. Vedä se irti käsin.
3. Leikkaa 4 m pitkä leikkuusiima, Työnnä siima pujotusreiän sisäpuolella olevaan asennusreikään (kuva F). Työnnä ja vedä siimaa toiselta puolelta, kunnes kummallakin puolella kelaa on yhtä paljon siimaa.
4. Paina ja pyöritä samalla kelan pidikettä nuolen suuntaan saadaksesi siiman kelalle, kunnes kummallakin puolella on näkyvissä noin 14 cm siimaa (kuva G).
5. Paina kelan pidike alas ja vedä samalla siimoja käsin siiman liikuttamiseksi eteenpäin. Tarkista leikkuupään oikea kokoonpano.

Kun leikkuusiima katkeaa siiman ulostulosta tai leikkuusiimaa ei vapaudu leikkurin päätä napautettaessa, noudata seuraavia ohjeita:

1. Poista akku.
2. Paina kelan pidikkeessä olevia vapautusulokkeita ja poista kelan pidike vetämällä sitä suoraan ulospäin (kuvat H ja I).
3. Irrota leikkuusiima kelan pidikkeestä.
4. Pidä toisella kädellä kelan pohjaa, tartu toisella kädellä kelan pidikkeeseen ja kohdista kelan pidikkeen ulokkeet kelan pohjan reikiin (kuva J). Paina kämmenellä ja kierrä kelan pidikettä vastapäivään ja myötäpäivään, kunnes ulokkeet lukittuvat kelan pohjaan (kuva K).
5. Noudata leikkuusiiman uudelleen lataamisessa kohdan "SIIMAN VAIHTAMINEN" ohjeita.

Jos työkalua aiotaan käyttää raivaussahana, irrota trimmeripää kuvissa L ja M esitetyllä tavalla.

HUOLTO

VAROITUS: Pysäytä moottori, odota kaikkien liikkuvien osien pysähtymistä ja poista akku ennen laitteen tarkastamista, puhdistamista tai huoltamista. Näiden ohjeiden noudattamatta jättäminen saattaa johtaa vakavaan henkilövahinkoon tai omaisuusvahinkoon.

VAROITUS: Käytä huollon yhteydessä vain identtisiä varaosia. Muiden osien käyttö voi aiheuttaa vaaran tai tuotteen vaurioitumisen. Turvallisuuden ja luotettavuuden takia kaikki korjaukset, muut kuin näissä huolto-ohjeissa luetellut, tulee antaa ammattiasentajan suoritettaviksi.

YLEINEN KUNNOSSAPITO

Vältä liuotainaineiden käyttöä, kun puhdistat muoviosia. Useimmat muovit ovat herkkiä vaurioitumaan erilaisista kaupallisista liuottimista. Poista lika, pöly, öljy, rasva jne. puhtaalla liinalla.

LAITTEEN PUHDISTAMINEN

- Irrota kaikki ruoho, joka on takertunut moottorin akseliin tai leikkurin päähän
- Puhdista takakotelon tuuletusaukot pienellä harjalla tai pölynimurilla.
- Puhdista laite kostealla liinalla ja miedolla puhdistusaineella.
- Älä käytä voimakkaita puhdistusaineita muoviseen kuoreen tai kahvaan. Ne saattavat vahingoittaa tietyistä aromaattisista öljyistä (esim. männyn ja sitruunan öljyistä) ja liuottimista (esim. kerosiinista). Kosteus voi myös aiheuttaa sähköiskun vaaran. Pyyhi kosteus pois pehmeällä ja kuivalla liinalla.

VAIHDEPYÖRÄN VOITELU

Vaihdekotelossa oleva vaihdepyörä tulee voidella säännöllisesti vaihderasvalla. Tarkasta vaihdekotelon rasvan taso noin 50 käyttötunnin välein poistamalla kotelon sivussa oleva tiivistysruuvi.

Jos vaihteen sivuilla ei näy rasvaa, lisää vaihderasvaa enintään 3/4 kapasiteetista seuraavien ohjeiden mukaisesti.

Älä täytä vaihdepyörää kokonaan rasvalla.

1. Pidä siimaleikkuria kyljellään siten, että tiivistysruuvi on ylöspäin.
2. Löysää tiivistysruuvia mukana toimitetulla monitoimiavaimella ja poista ruuvi.
3. Käytä rasvaruiskua (ei mukana) ja ruiskuta jonkin verran rasvaa ruuvin reikään; älä ylitä 3/4 kapasiteetista.
4. Kiristä tiivistysruuvi ruiskutuksen jälkeen.

LAITTEEN VARASTOINTI

- Irrota akku siimaleikkurista.
- Puhdista työkalu perusteellisesti ennen varastointia.
- Jos siimaleikkurilisäosa poistetaan akkupäystä ja säilytetään erikseen: kiinnitä päätytulppa lisäosan varteen, jotta lika ei pääse liitoskappaleeseen.
- Säilytä laite kuivassa, hyvin ilmastoidussa, lukitussa paikassa tai korkealla, poissa lasten ulottuvilta Älä säilytä laitetta lannoitteiden, bensiinin tai muiden kemikaalien päällä tai vieressä.

Ympäristönsuojelu



Älä hävitä sähkölaitteita, akun latauslaitteita ja akkuja/ladattavia akkuja kotitalousjätteen mukana!

Euroopan parlamentin ja neuvoston direktiivin 2012/19/EU mukaan sähkö- ja elektroniikkalaitteet, jotka eivät ole enää käyttökelpoisia, ja Euroopan parlamentin ja neuvoston direktiivin 2006/66/EY mukaan vialliset tai käytetyt akkuyksiköt/ akut täytyy kerätä erikseen.

Jos sähkölaitteet hävitetään viemällä kaatopaikoille tai roskaläjiin, vaarallisia aineita voi vuotaa pohjaveteen ja päästä ravintoketjuun ja vahingoittaa täten ihmisten terveyttä ja hyvinvointia.

FI

VIANETSINTÄ

ONGELMA	SYY	RATKAISU
Trimmeri ei käynnisty	<ul style="list-style-type: none"> ■ Akkua ei ole liitetty akkupäähän. ■ Akkupään ja akun välillä ei ole sähköliitäntää. ■ Akkuyksikkö on tyhjä ■ Lukitusvipua ja liipaisinta ei paineta samanaikaisesti. 	<ul style="list-style-type: none"> ■ Kiinnitä akku akkupäähän. ■ Poista akku, tarkasta liitäntäkohdat ja asenna akku takaisin, kunnes se naksahtaa paikalleen. ■ Lataa akku käyttöoppaan luettelossa olevalla EGO-laturilla. ■ Paina lukitusvipu alas ja pidä sitä painettuna, käynnistä sen jälkeen trimmeri painamalla liipaisinta.
Trimmeri sammuu leikkauksen aikana.	<ul style="list-style-type: none"> ■ Suojusta ei ole asennettu trimmeriin, mistä seuraa liian pitkä leikkusuima ja moottorin ylikuormittuminen ■ Käytetään paksua leikkusuimaa. ■ Moottorin varteen tai siimapäähän on takertunut ruohoa. ■ Moottori on ylikuormittunut. ■ Akkuyksikkö tai trimmeri on liian kuuma ■ Akkuyksikköä ei ole kytketty työkaluun ■ Akkuyksikkö on tyhjä. 	<ul style="list-style-type: none"> ■ Irrota akkuyksikkö ja asenna suojus trimmeriin ■ Käytä aina suositeltua nailonleikkusuimaa, jonka halkaisija on korkeintaan 2,4 mm. ■ Sammuta trimmeri, irrota akku ja poista ruoho moottorin varresta ja siimapäästä. ■ Irrota siimapää ruohosta. Moottori toimii jälleen heti, kun kuormitus on poistettu. Liikuta leikatessa siimapäätä leikattavaan ruohon ja pois äläkä leikkaa kerralla yli 20 cm pituudelta. ■ Anna akkuyksikön tai trimmerin jäähtyä, kunnes lämpötila laskee alle 67 °C :een. ■ Asenna akkuyksikkö uudelleen. ■ Lataa akku käyttöoppaan luettelossa olevalla EGO-laturilla.

FI

ONGELMA	SYY	RATKAISU
Siimapäästä ei tule siimaa.	<ul style="list-style-type: none"> ■ Moottorin varteen tai siimapäähän on takertunut ruohoa ■ Kelassa ei ole riittävästi siimaa. ■ Siimapää on likainen. ■ Siima on sotkeutunut kelan pidikkeeseen. ■ Siima on liian lyhyt. 	<ul style="list-style-type: none"> ■ Sammuta trimmeri, irrota akku ja poista ruoho moottorin varresta ja siimapäästä. ■ Irrota akku ja vaihda leikkuusiima. Noudata tämän käsikirjan osiota "SIIMAN VAIHTO". ■ Irrota akku ja puhdista kela, kelanpidin ja kelateline. ■ Irrota akku, poista siima kelalta ja kierrä se uudelleen kelalle. Noudata tämän käsikirjan osiota "SIIMAN VAIHTO". ■ Irrota akku ja vedä siimojen päistä samalla, kun vuorotellen painat siiman säätönupin alas ja vapautat sen.
Ruohoa kietoutuu siimapään ja moottorin kotelon ympärille.	<ul style="list-style-type: none"> ■ Pitkää ruohoa leikataan maan tasolla. 	<ul style="list-style-type: none"> ■ Leikkaa pitkä ruohikko ylhäältä alas niin, että leikkaat kerralla korkeintaan 20 cm ruohon pituudesta, jotta estät ruohon kiertymisen.
Terä ei leikkaa siimaa.	<ul style="list-style-type: none"> ■ Suojuksen reunassa oleva siiman rajoitusterä on tylsynyt. 	<ul style="list-style-type: none"> ■ Teroita siimaleikkurin terä viilalla tai vaihda se uuteen terään.
Leikkuupää on vaurioitunut tai kelan pidike on irronnut kelan pohjasta.	<ul style="list-style-type: none"> ■ Leikkuupää on kulunut. 	<ul style="list-style-type: none"> ■ Vaihda leikkurin pää välittömästi; noudata käyttöoppaan kohtaa "LEIKKURIN PÄÄN VAIHTAMINEN".
Siiman vaihdon aikana siimaa ei saada leikkuupäähän kunnolla	<ul style="list-style-type: none"> ■ Kelan pidikkeen LOAD-rajat eivät kohdistu kelan pohjan pujotusreikiin. ■ Leikkuusiimaa ei ole työnnetty oikein pujotusreiän asennusreikään. 	<ul style="list-style-type: none"> ■ Pyöritä kelan pidikettä nuolen suuntaan ja kohdista kelan pidikkeen LOAD-rajat kelan pohjan pujotusreikiin. ■ Kohdista LOAD-rajat pujotusreikiin ensin, työnnä sitten siima pujotusreiän sisäpuolella olevaan asennusreikään.

TAKUU

EGO-TAKUUKÄYTÄNTÖ

Katso verkkosivuilta osoitteesta egopowerplus.com EGO-takuukäytännön ehdot ja edellytykset kokonaisuudessaan.

LES ALLE INSTRUKSJONER!



LES BRUKERMANUALEN

⚠ Restrisiko! Personer med elektroniske enheter, for eksempel pacemakere, må rådføre seg med lege før de bruker dette produktet. Drift av elektrisk utstyr i umiddelbar nærhet av en pacemaker kan føre til at pacemakeren forstyrres eller svikter.

⚠ ADVARSEL: For sikre både sikkerheten og påliteligheten, skal alle reparasjoner utføres av en kvalifisert servicetekniker.

SIKKERHETSSYMBOLER

NO

Formålet med sikkerhetssymbolene er å trekke oppmerksomheten din mot mulige faresituasjoner. Sikkerhetssymbolene og forklaringene krever din fulle oppmerksomhet og forståelse. Symbolvarslene eliminerer ikke farer på egen hånd. Instruksjonene og advarslene som finnes i dem er ikke erstatninger for passende ulykkesforebyggende tiltak.

⚠ ADVARSEL: Sørg for å lese og forstå alle sikkerhetsanvisningene i denne brukerhåndboken, inkludert alle sikkerhetsvarselssymboler så som «FARE», «ADVARSEL» og «FORSIKTIG» før du bruker dette verktøyet. Manglende etterlevelse av alle instruksjonene under kan resultere i elektrisk støt, brann og/eller alvorlig personskade.

SYMBOLFORKLARINGER

⚠ SIKKERHETSSYMBOL: Indikerer en FARE, ADVARSEL eller FORSIKTIGHETSREGEL og kan bli brukt i kombinasjon med andre symboler eller piktogrammer.



⚠ ADVARSEL: Bruk av hvilke som helst elektroverktøy kan føre til at fremmedlegemer blir kastet mot øynene, og dette kan føre til alvorlige øyeskader. Før du begynner å bruke elektroverktøyet, må du alltid ta på deg øyevern eller vernebriller med sidebeskyttelse, eller full ansiktsskjerm dersom dette er nødvendig. Vi anbefaler en Wide Vision Safety Mask til bruk over briller, eller standard vernebriller med sidebeskyttelse.

SIKKERHETSINSTRUKSJONER

Denne siden viser og beskriver sikkerhetssymboler som finnes på produktet. Les, forstå og følg alle instruksjoner på maskinen før du forsøker å montere og bruke den.

	Sikkerhetsvarsel	Angir en fare for mulig personskade.
	Les brukermanualen.	For å redusere risikoen for skader må brukeren lese og forstå brukerhåndboken før produktet brukes.
	Bruk vernebriller	Bruk alltid øyevern eller vernebriller med sidebeskyttelse og full ansiktsskjerm når du bruker dette produktet.
	Bruk hørselsvern	Bruk alltid hørselsvern (ørepropper eller øreklokker) for å beskytte hørselen.
	Bruk hodebeskyttelse	Bruk en godkjent vernehjelm for å beskytte hodet.
	Bruk vernehansker.	Beskytt hendene med hansker når du håndterer bladet og bladskjermen. Kraftige, sklisikre hansker gir bedre grep og beskytter hendene dine.
	Bruk vernesko.	Ha på deg sklisikre vernesko når du bruker dette utstyret.
	Klippebredde	Kantklipperens maks. skjærebredde
	Linediameter	Diameteren på nylonkuttelinene
	Ingen runde blader	Ikke monter runde skjæreblander.
	Hold tilskuere borte.	Sørg for at andre mennesker og kjøledyr er minst 15 m unna gresstrimmeren når den er i bruk.

	Hold tilskuere borte.	Sørg for at andre mennesker og kjæledyr er minst 15 m unna gresstrimmeren når den er i bruk.
	Må ikke utsettes for regn	Må ikke brukes i regn eller etterlates ute når det regner.
	CE	Dette produktet er utformet i tråd med gjeldende EC-direktiver.
	WEEE	Elektrisk avfall må ikke kastes sammen med vanlig husholdningsavfall. Må avleveres på en godkjent gjenvinningsstasjon.
	Bråk	Garantert lydeffektnivå. Støy i omgivelsene er i henhold til EUs direktiv.
V	Volt	Spenning
mm	Millimeter	Lengde eller størrelse
cm	Centimeter	Lengde eller størrelse
kg	Kilogram	Vekt

GENERELLE SIKKERHETSADVARSLER FOR ELEKTROVERKTØY

⚠ ADVARSEL: Les alle sikkerhetsadvarsler, instruksjoner, illustrasjoner og spesifikasjoner som følger med dette verktøyet. Manglende etterlevelse av alle instruksjonene under kan resultere i elektrisk støt, brann og/eller alvorlig skade.

Ta vare på alle advarsler og instruksjoner for fremtidig bruk.

Betegnelsen "elektroverktøy" i advarslene refererer til hovednettdrevne (med ledning) elektroverktøy eller batteridrevne (trådløs) elektroverktøy.

SIKKERHET I ARBEIDSRÅDET

- Hold arbeidsområdet rent og godt opplyst. Rotete eller mørke områder inviterer til ulykker.
- Ikke bruk maskinen i eksplosjonsfarlige atmosfærer, for eksempel der det finnes brennbare væsker, gasser eller støv i nærheten. Elektroverktøy lager gnister som kan antenne støv eller damper.

- Hold barn og andre personer unna når elektroverktøyet er i bruk. Distraksjoner kan føre til at du mister kontrollen.

PERSONLIG SIKKERHET

- **Vær oppmerksom, pass på hva du gjør og bruk sunn fornuft når du bruker elektroverktøy. Ikke bruk verktøyet når du er trøtt eller påvirket av narkotika, alkohol eller medisin.** Et øyeblikks uoppmerksomhet ved bruk av elektroverktøy kan føre til alvorlige personskader.
- **Bruk personlig verneutstyr. Bruk alltid vernebriller.** Verneutstyr som støvmasker, skliskre vernesko, hjelm eller hørselsvern i egnede forhold reduserer risikoen for personskader.
- **Unngå utilsiktet start. Pass på at bryteren er i av-stilling før du kobler til strømkilden og/eller batteripakken, plukker opp eller bærer verktøyet.** Å bære elektroverktøy med fingeren på bryteren eller å slå på verktøyet som har bryteren på er å invitere til ulykker.
- **Fjern eventuelle justeringsnøkler før du slår på elektroverktøyet.** Et verktøy eller en nøkkel som sitter igjen i en roterende del av elektroverktøyet kan føre til personskade.
- **Ikke strekk deg for langt. Pass på å ha skikkelig fotfeste og balanse til enhver tid.** Dette muliggjør bedre kontroll over elektroverktøyet i uventede situasjoner.
- **Kle deg riktig. Ikke bruk løstsittende klær eller smykker. Hold hår, klær og hansker unna bevegelige deler.** Løse klær, smykker eller langt hår kan sette seg fast i bevegelige deler.

- **Hvis det følger med utstyr for tilkopling av støvavsug og oppsamlingsutstyr, skal disse koples til og brukes riktig.** Bruk av støvenheter kan redusere støvrelaterte farer.

- **Selv om du opparbeidet deg erfaring gjennom hyppig bruk av verktøyet, må du alltid være årvåken og følge sikkerhetsinstruksjonene.** Et ørlite øyeblikks uoppmerksomhet er alt som skal til for at alvorlige personskader kan oppstå.

BRUK OG VEDLIKEHOLD AV ELEKTROVERKTØY

- **Ikke tving elektroverktøyet. Bruk det riktige elektroverktøyet til det du skal gjøre.** Det riktige elektroverktøyet vil gjøre jobben bedre og sikrere, i den hastigheten som det ble laget for.
- **Ikke bruk elektroverktøyet hvis bryter ikke slår det på og av.** Elektroverktøy som ikke kan kontrolleres med bryteren, er farlig og må repareres.

NO

- **Oppbevar elektroverktøy utilgjengelig for barn, og ikke la personer som ikke er kjent med verktøyet eller disse instruksjonene betjene maskinen.** Elektroverktøy er farlige når de brukes av uerfarne personer.
- **Vedlikehold elektroverktøy og tilbehør. Se etter feiljusteringer eller oppbinding av bevegelige deler, skadede deler og eventuelle andre forhold som kan påvirke elektroverktøyet funksjon. Hvis skadet, må elektroverktøyet repareres før bruk.** Mange ulykker er forårsaket av dårlig vedlikeholdte elektroverktøy.
- **Hold kutteverktøyet skarpt og rent.** Riktig vedlikehold av kutteverktøy med skarpe kanter gjør at det er mindre sannsynlighet for oppbinding, og at det er lettere å kontrollere.
- **Bruk elektroverktøy, tilbehør, verktøy, osv. i henhold til disse anvisningene, og ta hensyn til arbeidsforholdene og arbeidet som skal utføres.** Bruk av elektroverktøy til andre formål enn det som er angitt kan føre til farlige situasjoner.
- **Hold håndtaket og gripeflaten tørr, ren og fri for olje og fett.** Glatte håndtak og gripeflater vil gjøre det vanskelig å kontrollere verktøyet og håndtere det på en sikker måte i uventede situasjoner.
- **Hold kabler unna området der du bruker verktøyet.** Under bruk kan det være vanskelig å få øye på kabler, og disse kan dermed kuttes over ved et uhell.

NO

BRUK OG VEDLIKEHOLD AV BATTERIVERKTØY

- **Lades bare med ladere som er spesifisert av produsenten.** En lader som passer for én type batteripakke kan skape fare for brann når den brukes med andre batteripakker.
- **Elektroverktøyet skal bare brukes med den spesifiserte batteripakken.** Bruk av andre batteripakker kan skape risiko for skader og brann.
- **Når batteriet ikke er i bruk, skal det holdes unna andre metallgjenstander så som binders, mynter, nøkler, spikere, skruer eller andre små metallgjenstander som kan lage forbindelse fra én terminal til en annen.** Kortslutning av batteripolene kan forårsake brannskader eller brann.
- **Under skadelige forhold, kan væske kastes ut fra batteriet. Unngå kontakt.** Hvis kontakt oppstår ved uhell, skyll med vann. Hvis man får væske i øynene, skal det i tillegg søkes medisinsk hjelp. Væske som blir kastet ut av batteriet kan forårsake irritasjon eller brannskader.
- **Ikke bruk en batteripakke eller et verktøy som er skadet eller modifisert.** Skadde eller modifiserte batterier kan oppføre seg uforutsigbart og medføre brann, eksplosjon eller risiko for personskade.

- **Ikke eksponer en batteripakke eller verktøyet for flammer eller svært høye temperaturer.** Eksponering for brann eller temperaturer over 100 °C kan forårsake eksplosjon.
- **Følg alle ladeinstruksjonene, og ikke lad batteripakken eller verktøyet utenfor temperaturområdet som er angitt i instruksjonene.** Hvis batteriet lades på feil måte eller ved temperaturer som er utenfor det angitte området, kan batteriet bli skadet og brannrisikoen øke.

SERVICE

- **Elektroverktøyet må repareres av et kvalifisert serviceverksted som kun bruker identiske reservedeler.** Dette gjør at sikkerheten til elektroverktøyet opprettholdes.
- **Aldri bruk skadede batteripakker.** Service på batteripakker må bare utføres av produsenten eller autoriserte tjenesteleverandører.

⚠ ADVARSEL: Gjør deg kjent med alle sikkerhetsadvarslene, instruksjonene, illustrasjonene og spesifikasjonene som følger med dette elektroverktøyet. Manglende etterlevelse av alle instruksjonene under kan resultere i elektrisk støt, brann og/eller alvorlig skade. Ta vare på alle advarsler og instruksjoner for fremtidig bruk. **Ta vare på alle advarsler og instruksjoner for fremtidig bruk.**

OPPLÆRING

- Les instruksjonene nøye. Gjør deg kjent med betjeningsinnretningene og måten maskinen skal brukes på.
- Du må aldri la barn eller personer som ikke er kjent med disse instruksjonene, få bruke produktet. En aldersgrense for operatøren kan være fastsatt i lokale regelverk.
- Husk at operatøren eller brukeren er ansvarlig for ulykker eller farer som berører andre mennesker eller andres eiendeler.

FORBEREDELSE

- Bruk aldri maskinen mens folk, og spesielt barn eller kjæledyr, er i nærheten.
- Bruk vernebriller og solide sko hele tiden mens du bruker maskinen.
- Avstanden mellom maskinen og tilskuere skal være minst 15 meter.
- Bruk aldri maskinen mens du er trett, syk eller påvirket av alkohol, legemidler eller andre stoffer.

BRUK

- Maskinen skal bare brukes i dagslys eller med god kunstig belysning.
- Bruk aldri maskinen med skadede skjermere eller skjold, eller uten skjermere eller skjold på plass.
- Motoren skal bare slås på når hender og føtter er borte fra skjæredelene.
- Koble alltid kantklipperen fra strømkilden (dvs. ta ut batteripakken)
 - når du skal forlate maskinen uten tilsyn;
 - før du fjerner en blokkering;
 - før du kontrollerer, rengjør eller utfører arbeid på maskinen;
 - etter å ha støtt borti et fremmedlegeme;
 - hvis maskinen begynner å vibrere unormalt.
- Pass på at hender og føtter ikke skades av skjæredelene.
- Pass alltid på at ventilasjonsåpningene holdes frie for rusk.

VEDLIKEHOLD OG LAGRING

- Koble maskinen fra strømkilden (dvs. ta ut batteripakken) før du utfører vedlikeholds- eller rengjøringsarbeid.
- Bruk bare produsentens anbefalte reservedeler og tilbehør.
- Maskinen må etterses og vedlikeholdes regelmessig. Reparasjoner må kun utføres ved et autorisert verksted.
- Når den ikke er i bruk, skal maskinen oppbevares utilgjengelig for barn.

ANDRE SIKKERHETSADVARSLER

- **Unngå farlige omgivelser** – ikke bruk apparatet i fuktige eller våte skråninger.
- **Hold skjermene på plass og i fungerende stand.**
- **Hold hendene og føttene på avstand fra beskæringsområdet.**
- **For å redusere risikoen for skader må du aldri bruke trimmeren mens du står på en stige eller et annet ustabilt underlag. Hold aldri skjæretilbehøret over hofte høyde.**
- **Kontroller skjæretilbehøret med jevne, korte intervaller under bruk, eller umiddelbart hvis det oppstår en merkbar endring i skjæreatferden.**
- **Du får best resultat dersom batteriet lades på et sted der temperaturen er over 5 °C og under 40 °C.** Ikke oppbevar batteriet utendørs eller i kjøretøy.

- **Hvis andre personer kommer bort til eller henvender seg til deg, må du stoppe motoren og skjæreutstyret umiddelbart.**
- **Advar operatøren om faren forbundet med tilbakeslag (gjelder bare ved bruk av 3-tannet blad).**
 - **Tilbakeslag kan inntreffe når det roterende bladet kommer i kontakt med en gjenstand som det ikke umiddelbart klarer å skjære seg gjennom.**
 - **Tilbakeslaget kan være voldsomt nok til å få enheten og/eller operatøren til å bevege seg i en hvilken som helst retning, og operatøren står dermed i fare for å miste kontrollen over enheten.**
 - **Tilbakeslag kan inntreffe uten forvarsel dersom bladet hefter seg fast, stopper eller henger seg opp.**
 - **Tilbakeslag har større sannsynlighet for å forekomme i områder der det er vanskelig å se materialet som skjæres.**
- **Ikke fest et blad til trimmeren uten at alle påkrevde deler er korrekt montert. Manglende bruk av de påkrevde delene medfører risiko for at bladet blir slynget ut i luften og påfører operatøren og/eller personer i nærheten alvorlige skader. Blader som er bøyd, vridd, sprukket, ødelagt eller skadet på noen måte, må kasseres. Bruk et skarpt blad. Et sløvt blad har større sannsynlighet for å henge seg opp og utløse tilbakeslag (gjelder bare ved bruk av 3-tannet blad).**
- **Bladet / tråden vil fortsetter å rotere og kan dermed forårsake skader en stund etter at motoren har stanset eller bryteren er sluppet ut. Sørg for å holde god kontroll helt til bladet/tråden har sluttet helt å rotere.**
- **Batteridrevne verktøy trenger ikke å være tilkoblet strømuttak for å fungere, og er derfor alltid klare for bruk.** Vær oppmerksom på mulige farer, selv når verktøyet ikke er i drift. Vær forsiktig når du utfører vedlikehold eller service.
- **Ikke vask med hageslange; unngå å få vann i motoren og i elektriske kontakter.**
- **Hvis situasjoner oppstår som ikke er dekket i denne håndboken, må du utvise forsiktighet og god dømmekraft. Kontakt EGOs servicesenter for å få hjelp.**
- **Bruk kun med batteripakker og ladere som oppført i fig. A.**

TA VARE PÅ DISSE INSTRUKSJONENE!

NO

SPESIFIKASJONER

Kuttemekanisme	Trimmerhode	
Tråddiameter	2,4 mm tynnnet nylontråd	
Klippebredde	38 cm	
Hastighet uten last	5000/6000 min ⁻¹	
Vekt (uten batteripakke)	1,59 kg	
Anbefalt driftstemperatur	0°C-40°C	
Anbefalt lagringstemperatur	-20°C-70°C	
Målt lydeffektnivå L _{WA}	94,6 dB(A) K=1,80 dB(A)	
Lydtrykknivå ved brukerens øre L _{PA}	83,2 dB(A) K=3 dB(A)	
Garantert lydeffektnivå L _{WA} (målt i henhold til 2000/14/EC)	96 dB(A)	
Vibrasjon a _v	Fremre hjelpehåndtak	1,1 m/s ² K=1,5 m/s ²
	Bakre håndtak	1,4 m/s ² K=1,5 m/s ²

NO

- Parametrene over er testet og målt sammen med verktøyet PH1400E.
- Den deklarererte totale vibrasjonsverdien er målt i overensstemmelse med en standard testmetode, og kan brukes til å sammenligne ett verktøy med et annet;
- Den deklarererte totale vibrasjonsverdien kan også brukes i en foreløpig vurdering av eksponering.

MERK: Vibrasjoner under faktisk bruk av elektroverktøyet kan variere fra den opplyste verdien der verktøyet brukes; For å beskytte brukeren, skal det brukes hansker og hørselsvern under de faktiske bruksforholdene.

PAKKELISTE

NAVN PÅ DEL	MENGDE
Tilbehør til kantklipper	1
Skjerming	1
sekskantnøkkel	1
Flerbruksnøkkel	1
Bruksanvisning	1

Når det gjelder skjæretråd som anbefales, gå inn på nettstedet egopowerplus.com eller slå opp i EGOs produktkatalog.

BESKRIVELSE

BLI KJENT MED DITT TRIMMERENHETSUTSTYR (Fig. A)

1. Endekapsel
2. Skaft
3. Skjæretråd
4. Trimmerhode (støthode)
5. Utløser
6. Linekuttingsblad
7. Skjerming
8. Unbraconøkkel
9. Flerbruksnøkkel

⚠ ADVARSEL: Bruk aldri verktøyet uten at bladvernet er på plass. Bladvernet må alltid være påmontert verktøyet for å beskytte brukeren.

ENHET

⚠ ADVARSEL: Hvis noen av delene er skadet eller mangler, må du ikke bruke dette produktet før delene er skiftet ut. Bruk av dette produktet med skadede eller mangler deler kan føre til alvorlig personskade.

⚠ ADVARSEL: Ikke forsøk å modifisere dette produktet eller lage tilbehør som ikke er anbefalt for bruk med denne gresstrimmeren. Enhver slik endring eller modifisering er misbruk, og kan føre til farlige situasjoner og mulige alvorlige personskader

⚠ ADVARSEL: Ikke koble til verktøyet før monteringen er fullført. Hvis du gjør det, kan det resultere i uforvarende start og mulig personskade.

MONTERING AV SKJERMEN

⚠ ADVARSEL: Bruk alltid hansker når du tar på eller bytter bladvernet. Vær forsiktig med bladvernet, og beskytt hendene dine så de ikke skades av knivbladet.

Løsne og fjern de to skruene fra nedre del av skaftet (fig. C). Juster skjermmonteringshullene sammen med monteringshullene, og lås skjermen på skaftbasen med de to skruene, og to fjærskiver (fig. D).

Sørg for at skjermen er festet slik fig. C og D viser. Omvendt festing kan forårsake stor skade!

MONTER KANTKLIPPETILBEHØRET PÅ VERKTØYHODET

Dette tilbehøret til kantklipperen er beregnet til bruk med verktøyhodet EGO PH1400E.

Se avsnittet **“MONTERE TILBEHØR PÅ VERKTØYHODET”** i håndboken til verktøyhodet PH1400E.

DRIFT

⚠ ADVARSEL: Ikke la fortrolighet med dette produktet gjøre deg uforsiktig. Husk at et uforsiktig tiendedel av et sekund er nok til å forårsake alvorlige skader.

⚠ ADVARSEL: Bruk alltid vernebriller i tillegg til hørselsvern. Dersom dette ikke blir gjort, kan du få fremmedlegemer inn i øynene eller pådra deg andre alvorlige skader.

BRUKSOMRÅDER

Du kan bruke dette produktet til de formålene som er oppført nedenfor:

- Kutte gress og ugress rundt inngangspartier, gjerder og uteplasser

MERK: Verktøyet skal bare brukes til sitt foreskrevne formål. All annen bruk er feil.

Kontroller om noen deler er ødelagte eller utslitte før bruk

Sjekk trimmerhode, bladvern og fremre hjelpehåndtak og erstatt deler som er sprukne, skjeve, bøyd eller ødelagte på annen måte.

Trådskjærebladet langs kanten av bladvernet kan sløves over tid. Det anbefales å skjerpe den jevnlig med en fil, eller bytte den ut med et nytt blad.

⚠ ADVARSEL: Bruk alltid hansker når du tar på eller bytter bladvernet, eller når du skjerper eller bytter knivbladet. Legg merke til hvor knivbladet er på bladvernet, og beskytt hendene dine så de ikke blir skadet.

⚠ ADVARSEL: For å unngå alvorlig personskaade må batteripakken tas ut av verktøyhodet før service, rengjøring, bytte av tilbehør eller når du fjerner fremmedlegemer fra verktøyet.

BRUK AV KANTKLIPPEREN MED VERKTØYHODET

⚠ ADVARSEL: Kle deg riktig for å redusere risikoen for skader når du bruker dette verktøyet. Ikke bruk løstsittende klær eller smykker. Bruk vernebriller og øre-/hørselsvern. Bruk solide og lange bukser, støvler og hansker. Ikke bruk korte bukser eller sandaler, og ikke gå barbert.

⚠ ADVARSEL: Ta bort ting fra området som skal klippes, før du bruker verktøyet. Fjern alle gjenstander som steiner, knust glass, spiker, ståltråd eller hyssing som kan kastes og vikle seg inn i skjæretilbehøret. Hold barn, tilskuere og kjøledyr unna området. Som et minimum må alle barn, tilskuere og kjøledyr holde seg på minst 15 meters avstand. Likevel kan gjenstander som flyr gjennom luften, utsette tilskuere for risiko. Tilskuere bør oppfordres til å bruke øyebeskyttelse. Hvis noen nærmer seg deg, så stopp motoren og skjæretilbehøret umiddelbart.

For sikker og bedre drift bør remmen legges over skulderen. Juster skulderremmen så du får en behagelig arbeidsstilling. Hold kantklipperen med en hånd på det bakre håndtaket og den andre hånden på det fremre hjelpehåndtaket. Ha et fast grep med begge hender når du bruker verktøyet. Kantklipperen skal holdes i en behagelig stilling med det bakre håndtaket omtrent i hoftehode. Trimmerhodet skal være parallelt med bakken slik at det har lett kontakt med materialet som skal klippes, uten at operatøren må bøye seg (Fig. B).

⚠ ADVARSEL: Skulderremmen er også en rask utføsermekanisme i farlige situasjoner. Når en nødssituasjon oppstår, ta apparatet av skulderen umiddelbart, uansett hvordan remmen er satt inn.

Kantklipperen skal rengjøres etter hver gangs bruk

Se avsnittet VEDLIKEHOLD for rengjøringsinstrukser.

SLIK STARTER/STOPPER DU VERKTØYET

Se avsnittet **“STARTE/STOPPE VERKTØYHODET”** i håndboken for PH1400E.

JUSTERE LENGDEN PÅ SKJÆRETRÅDEN

Trimmerhodet gjør at brukeren kan utløse mer skjæretråd uten å stoppe motoren. Etter hvert som tråden blir frynset eller slitt, kan ekstra tråd utløses med et lett trykk på trimmerhodet mot bakken mens kantklipperen er i gang (Fig. E).

MERK: Det blir vanskeligere å utløse mer tråd når skjæretråden blir kortere.

⚠ ADVARSEL: Unngå å ta av eller endre på monteringen av skjærebladet. For lang tråd vil medføre at motoren blir overopphetet og kan resultere i alvorlig personskaade.

BYTTE TRÅD

MERK: Bruk alltid den anbefalte nylontråden med en diameter som ikke overskrider 2,4 mm. Hvis du bruker en annen tråd enn den som er anbefalt, kan kantklipperen bli overopphetet eller skadet.

NO

⚠ ADVARSEL: Det må aldri benyttes metallforsterket tråd, wire, tau e.l. Disse kan brenne og bli farlige prosjektiler.

1. Fjern batteripakken.
2. Fjern gjenstående skjæretråd hvis nødvendig. Dra den bare ut med hånden.
3. Kutt 4 m av skjæretråden, Før tråden inn i monteringsåpningen i maljen (Fig. F). Skyv og dra tråden fra den andre siden til det er like mye tråd på begge sider av spolen.
4. Trykk mens du dreier spoleholderen i pilens retning for å vikle tråden rundt spolen til det er ca. 14 cm tråd på hver side (Fig. G).
5. Skyv spoleholderen ned samtidig som du drar i tråden for å få ut mer, og for å sjekke at trimmerhodet er riktig påsatt.

Hvis skjæretråden går i stykker der tråden kommer ut, eller den ikke utløses når du banker på trimmerhodet, gjør du følgende:

1. Fjern batteripakken.
2. Trykk på utløserflikene på spoleholderen, og ta av holderen ved å dra den rett ut (Fig. H og I).
3. Fjern skjæretråden fra spoleholderen.
4. Mens den ene hånden holder spolebunnen, bruker du den andre til å ta tak i spoleholderen og justerer flikene på holderen i forhold til hullene i spolebunnen (Fig. J). Bruk håndflaten til å trykke og dreie på spoleholderen mot høyre og venstre til flikene går i inngrep med spolebunnen (Fig. K).
5. Følg instruksjonene i "BYTTE TRÅD" for å sette skjæretråden på igjen.

Når verktøyet skal brukes som en børstekutter, følg trinnene i fig. L og M som viser hvordan man demonterer trimmerhodet.

VEDLIKEHOLD

⚠ ADVARSEL: Før du etterser, rengjør eller vedlikeholder verktøyet, må du stoppe motoren, vente på at alle deler har stanset, og så ta ut batteripakken. Hvis du ikke følger disse instruksjonene, kan det resultere i alvorlig personskade eller skade på eiendeler.

⚠ ADVARSEL: Når verktøyet trenger service, må bare identiske reservedeler benyttes. Bruk av uoriginale deler kan forårsake fare eller skade produktet. For å sikre trygg og pålitelig bruk må alle reparasjoner bortsett fra det som er behandlet i vedlikeholdsinstruksene, utføres av en kvalifisert fagperson.

GENERELT VEDLIKEHOLD

Unngå bruk av løsemidler når plastdeler skal rengjøres. De fleste plasttyper kan ta skade av ulike typer løsemidler som er i salg, og kan dermed bli ødelagt. Bruk rene kluter for å fjerne skitt, støv, olje, fett, etc.

RENGJØRING AV VERKTØYET

- Fjern eventuelt gress som har festet seg rundt motorakselen eller trimmerhodet.
- Bruk en liten støvsuger til å rengjøre ventilert på bakre deksel.
- Rengjør apparatet med en fuktig klut og et mildt rengjøringsmiddel.
- Ikke bruk sterke vaskemidler på plastdeksel eller håndtak. De kan bli skadet av enkelte aromatiske oljer, som furu og sitron, og av løsemidler som parafin. Fuktighet kan også medføre fare for elektrisk støt. Tørk av eventuell fuktighet med en myk og tørr klut.

SMØRING AV GIRDRETVET

Girdrevet i girkassen må smøres med jevne mellomrom med girolje. Sjekk nivået på oljen i girkassen ca. hver 50. driftstunde ved å ta av forseglingskruen på siden av kassen.

Hvis du ikke ser noe olje langs sidene av giret, følger du trinnene under for å fylle girolje til 3/4 av kapasiteten.

Girdrevet må ikke fylles helt opp.

1. Plasser kantklipperen på siden slik at forseglingskruen vender opp .
2. Bruk den medfølgende flerbruksnøkkelen til å løsne og fjerne forseglingskruen.
3. Bruk en oljesprøyte (følger ikke med) til å sprøyte inn olje i skruerhullet; ikke fyll opp mer enn 3/4.
4. Stram til forseglingskruen når du er ferdig.

LAGRING AV ENHETEN

- Fjern batteripakken fra kantklipperen.
- Rengjør verktøyet grundig før lagring.
- Hvis du fjerner tilbehøret fra verktøyhodet og oppbevarer det separat: Sett endekapselen på skaffet for å unngå at det kommer skitt og rusk inn i koplingsstykket.
- Oppbevar verktøyet på et tørt og godt ventilert sted, innelåst eller høyt plassert, og utilgjengelig for barn. Unngå å oppbevare verktøyet på eller ved siden av gjødningsmidler, bensin eller andre kjemikalier.

Beskytt miljøet



Elektrisk utstyr, batterilader og batterier/ oppladbare batterier skal ikke kastes i husholdningsavfall.

Ifølge EU-forskrift 2012/19/EU, skal elektrisk og elektronisk utstyr som ikke lenger er brukbart, og som i henhold til EU-forskrift 2006/66/EC har defekte eller brukte batteripakker/batterier, samles inn separat.

Hvis elektrisk apparater kastes på søppelfyllinger, kan farlige stoffer lekke ut i grunnvannet og komme inn i næringskjeden, og forårsake skader på helse og velvære.

NO

FEILSØKING

PROBLEM	ÅRSAK	LØSNING
Linetrimmeren vil ikke starte.	<ul style="list-style-type: none"> ■ Batteripakken er ikke satt inn i verktøyhodet. ■ Ingen elektrisk kontakt mellom verktøyhodet og batteripakken. ■ Batteripakken er tom. ■ Låsespaken og utløseren ble ikke trykket inn samtidig. 	<ul style="list-style-type: none"> ■ Fest batteripakken til verktøyhodet. ■ Fjern batteriet, sjekk kontakter og installer batteripakken igjen. Forsikre deg om at det låses på plass. ■ Lad batteripakken med EGO-ladere som står oppført i denne håndboken. ■ Trykk ned låsespaken og hold den inne, og trykk deretter på utløseren for å starte gresstrimmeren.
Gresstrimmeren stopper under trimmingen.	<ul style="list-style-type: none"> ■ Skjermen er ikke montert på trimmeren, noe som resulterer i altfor lang kutteline og overbelastning av motoren. ■ Tung kutteline brukes. ■ Motorakselen eller trimmerhodet er tettet av gress. ■ Motoren er overbelastet. ■ Batteripakken eller gresstrimmeren er for varm. ■ Batteripakken er koblet fra verktøyet. ■ Batteripakken er tom. 	<ul style="list-style-type: none"> ■ Ta ut batteripakken og fest skjermen på trimmeren. ■ Bruk alltid anbefalt skjæretråd av nylon med en diameter som ikke er større enn 2,4 mm. ■ Stopp trimmeren, ta ut batteriet, og fjern gress fra motorakselen og trimmerhodet. ■ Fjern trimmerhodet fra gresset. Motoren vil begynne å arbeide igjen straks belastningen er fjernet. Når du kutter, flyttes trimmerhodet inn og ut av gresset som skal klippes, og ikke fjern mer enn 20 cm lengde i et enkelt kutt. ■ La batteripakken eller trimmeren kjøle seg ned til temperaturen synker under 67 °C . ■ Installer batteripakken på nytt. ■ Lad batteripakken med EGO-ladere som står oppført i denne håndboken.

NO

PROBLEM	ÅRSAK	LØSNING
Trimmerhodet vil ikke slippe ut line.	<ul style="list-style-type: none"> ■ Motorakselen eller trimmerhodet er tettet av gress. ■ Det er ikke nok tråd på spolen. ■ Trimmerhodet er skittent. ■ Tråden har viklet seg inn i spoleholderen. ■ Linen er for kort. 	<ul style="list-style-type: none"> ■ Stopp trimmeren, ta ut batteriet, og fjern gress fra motorakselen og trimmerhodet. ■ Ta ut batteriet og sett på kuttelinen i henhold til avsnittet «LINEBYTTE» i denne bruksanvisningen. ■ Ta ut batteriet og rengjør spolen, spoleholderen og spolebasen. ■ Ta ut batteriet, fjern linen fra spolen og spol den tilbake; følg avsnittet «LINEBYTTE» i denne bruksanvisningen. ■ Ta ut batteriet og trekk linene mens du vekselvis trykker ned på og slipper støtknotten.
Gress vikler seg rundt trimmerhodet og motorhuset.	<ul style="list-style-type: none"> ■ Klipping av høyt gress på bakkenivå. 	<ul style="list-style-type: none"> ■ Klipp høyt gress fra toppen og ned, og ikke fjern mer enn 20 cm i hver passering, for å hindre opphopning.
Knivbladet skjærer ikke tråden.	<ul style="list-style-type: none"> ■ Linekappskiven på kanten av skjermen har blitt sløv. 	<ul style="list-style-type: none"> ■ Skjerp trådkappskiven med en fil, eller bytt den ut med en ny.
Sprekker i trimmerhodet eller spoleholderen løsner sammen med spolebunnen.	<ul style="list-style-type: none"> ■ Trimmerhodet er utslitt. 	<ul style="list-style-type: none"> ■ Bytt trimmerhodet umiddelbart; følg avsnittet «ERSTATNING AV TRIMMERHODET» i denne håndboken.
Når du bytter tråd, blir den ikke plassert riktig i trimmerhodet.	<ul style="list-style-type: none"> ■ Spoleholderens LOAD-tråd er ikke justert i forhold til maljene i spolebunnen. ■ Tråden er ikke satt inn riktig i monteringsåpningen i maljen. 	<ul style="list-style-type: none"> ■ Drei spoleholderen i pilens retning for å justere LOAD-tråden på spoleholderen i forhold til maljene i spolebunnen. ■ Juster først LOAD-trådene i forhold til maljene, og før tråden inn i maljens monteringsåpning.

NO

GARANTI

EGOs GARANTIREGLER

Besøk nettsiden egopowerplus.com for å se fullstendige vilkår og betingelser for EGO-garantireglene.

ПРОЧИТАЙТЕ ВСЕ ИНСТРУКЦИИ!



ВНИМАТЕЛЬНО ПРОЧИТАЙТЕ РУКОВОДСТВО ПОЛЬЗОВАТЕЛЯ.

⚠ Остаточные риски! Если вы используете электронные устройства, такие как кардиостимулятор, перед эксплуатацией данного устройства проконсультируйтесь с врачом. Использование электрооборудования в непосредственной близости от кардиостимулятора может привести к образованию помех и повреждению кардиостимулятора.

⚠ ПРЕДУПРЕЖДЕНИЕ. Чтобы обеспечить безопасность и надежность устройства, его ремонт и замену частей должен выполнять квалифицированный специалист.

RU СИМВОЛЫ БЕЗОПАСНОСТИ

Символы безопасности предназначены для привлечения внимания к возможным рискам. Символы безопасности, а также объяснения к ним, требуют особого внимания и понимания. Предупреждения по технике безопасности сами по себе не устраняют опасность. Инструкции и предупреждения не заменяют соответствующие меры по предотвращению несчастных случаев.

⚠ ПРЕДУПРЕЖДЕНИЕ Перед использованием устройства внимательно прочитайте все инструкции в данном руководстве пользователя и ознакомьтесь с предупреждающими символами безопасности, такими как «ОПАСНОСТЬ», «ПРЕДУПРЕЖДЕНИЕ» и «ВНИМАНИЕ». Несоблюдение всех приведенных ниже инструкций может привести к поражению электрическим током, возникновению пожара и/или получению серьезных травм.

ЗНАЧЕНИЕ СИМВОЛОВ

⚠ ПРЕДУПРЕЖДАЮЩИЙ СИМВОЛ: Означает «ОПАСНОСТЬ», «ПРЕДУПРЕЖДЕНИЕ» или «ВНИМАНИЕ» и может использоваться с другими символами



⚠ ПРЕДУПРЕЖДЕНИЕ. В результате работы электроинструмента в глаза могут попасть посторонние предметы, что приведет к серьезному повреждению глаз. Перед началом использования электроинструмента всегда надевайте защитную маску или защитные очки с боковыми щитками и полнопрофильную защитную маску (при необходимости). Поверх очков или стандартных защитных очков рекомендуется надевать маску Wide Vision Safety.

ИНСТРУКЦИИ ПО ТЕХНИКЕ БЕЗОПАСНОСТИ

Далее приведено изображение и описание символов безопасности, которые могут присутствовать на данном устройстве. Перед сборкой или использованием внимательно прочитайте все инструкции, приведенные на устройстве, и соблюдайте их.

	Предупреждение об опасности	Указывает на потенциальную опасность получения травмы.
	Внимательно прочитайте руководство пользователя.	Чтобы уменьшить риск получения травм, перед использованием устройства необходимо прочитать и понять руководство по эксплуатации.
	Надевайте защитные очки.	При работе с данным устройством всегда используйте защиту для глаз или защитные очки с боковыми щитками и полнопрофильную защитную маску.
	Используйте средства защиты органов слуха.	Всегда используйте средства защиты органов слуха (наушники или беруши).
	Используйте защитный головной убор.	Используйте надежную каску для защиты головы.

	Используйте защитные перчатки.	При работе с режущим элементом и щитком надевайте защитные перчатки. Прочные перчатки из нескользящих материалов улучшат захват инструмента и защитят руки.
	Используйте надежную обувь.	При использовании устройства надевайте надежную нескользящую обувь.
	Ширина резания	Макс. ширина резания триммера с леской
	Диаметр лески	Диаметр нейлоновой режущей лески
	Не используйте круглые режущие элементы.	Не используйте круглые режущие элементы.
	Не позволяйте посторонним людям находиться поблизости.	Убедитесь, что другие люди и животные находятся на расстоянии не менее 15 м от работающего устройства.
	Не позволяйте посторонним людям находиться поблизости.	Убедитесь, что другие люди и животные находятся на расстоянии не менее 15 м от работающего устройства.
	Не оставляйте под дождем.	Во время дождя не используйте устройство и не оставляйте его вне помещения.
	CE	Соответствует основным требованиям стандартов безопасности Европейских директив.

	WEEE	Неисправные электрические устройства нельзя выбрасывать вместе с бытовым мусором. Сдавайте их в авторизованные пункты сбора и утилизации.
	Шум	Гарантированный уровень звуковой мощности. Уровень шума в окружающей среде в соответствии с директивой ЕС.
V	Вольт	Напряжение
mm	Миллиметр	Длина или размер
cm	Сантиметр	Длина или размер
kg	Килограмм	Масса

RU

ОБЩИЕ ПРАВИЛА ТЕХНИКИ БЕЗОПАСНОСТИ ПРИ РАБОТЕ С ЭЛЕКТРОИНСТРУМЕНТАМИ

⚠ ПРЕДУПРЕЖДЕНИЕ. Прочитайте все правила безопасности, инструкции, иллюстрации и спецификации, прилагаемые к этому электроинструменту. Невыполнение изложенных ниже инструкций может привести к поражению электрическим током, пожару и (или) тяжелым травмам.

Сохраните все предупреждения и инструкции для использования в будущем.

Термин «электроинструмент» в предупреждениях означает электрический инструмент с питанием от сети (с кабелем) или электрический инструмент с питанием от аккумулятора (без кабеля).

БЕЗОПАСНОСТЬ РАБОЧЕГО МЕСТА

- **Обеспечьте чистоту и освещенность рабочего места.** Загроможденные и плохо освещенные места служат причиной несчастных случаев.
- **Не используйте электроинструменты во взрывоопасных местах, например вблизи горючих жидкостей, газов или пыли.** Электроинструменты генерируют искры, которые могут воспламенить пыль или испарения.
- **Не позволяйте детям и посторонним находиться вблизи работающего электроинструмента.**

Отвлекающие факторы могут привести к потере контроля.

ЛИЧНАЯ БЕЗОПАСНОСТЬ

- При использовании электроинструмента будьте бдительны, следите за своими действиями и следуйте здравому смыслу. Не пользуйтесь электроинструментом, если вы устали или находитесь под воздействием наркотиков, алкоголя или медикаментов. Даже кратковременная невнимательность при работе с электроинструментом может привести к тяжелым травмам.
- Используйте средства индивидуальной защиты. Всегда используйте защитные средства для глаз. Использование защитных средств, таких как респиратор, нескользкая защитная обувь, каска и средства защиты органов слуха в соответствующих условиях уменьшает риск получения травм.
- Не допускайте непредвиденных запусков. Перед подключением инструмента к сети питания (или аккумулятору) и перед его переноской убедитесь, что выключатель находится в выключенном положении. Не держите палец на выключателе при переноске электроинструментов и не включайте вилку в розетку, если электроинструмент включен. Это может привести к несчастному случаю.
- Перед включением электроинструмента снимите с него регулировочные инструменты и гаечные ключи. Регулировочный инструмент или гаечный ключ, оставленный на вращающейся части электроинструмента, может стать причиной травмы.
- Не тянитесь. Всегда сохраняйте устойчивое положение и равновесие. Это позволит лучше контролировать электроинструмент в непредвиденных ситуациях.
- Одевайтесь надлежащим образом. Не надевайте свободную одежду и украшения. Держите волосы, одежду и перчатки подальше от движущихся частей. Свободная одежда, украшения и длинные волосы могут попасть в движущиеся части.
- При наличии устройств для отвода и сбора пыли убедитесь, что они подключены и правильно работают. Использование пылеулавливающих устройств снижает вред, причиняемый пылью.
- Не допускайте небрежности, которая может возникнуть из-за частого использования инструмента и повлечь за собой самоуверенность и игнорирование правил безопасности. Неосторожное действие может

причинить серьезную травму за доли секунды.

ИСПОЛЬЗОВАНИЕ И ОБСЛУЖИВАНИЕ ЭЛЕКТРОИНСТРУМЕНТА

- Не прикладывайте к электроинструменту чрезмерных усилий. Используйте подходящий для ваших задач электроинструмент. Правильно выбранный электроинструмент более эффективен и безопасен при номинальной нагрузке.
- Не используйте электроинструмент, если его выключатель неисправен. Электроинструменты с неисправным выключателем опасны и подлежат ремонту.
- Храните неиспользуемые электроинструменты в местах, недоступных для детей, и не доверяйте электроинструмент лицам, не знакомым с ним и с этими инструкциями. Электроинструменты опасны в руках неподготовленных пользователей.
- Выполняйте техническое обслуживание электроинструментов и принадлежностей. Проверьте выравнивание и сцепление подвижных деталей, наличие поломок и прочие условия, которые могут повлиять на работу электроинструмента. Если электроинструмент поврежден, перед использованием его необходимо отремонтировать. Недостаточный уход за электроинструментом является причиной многих несчастных случаев.
- Храните режущие инструменты в чистоте и заточенном состоянии. Правильно обслуживаемые и хорошо заточенные режущие инструменты меньше заклинивают и лучше контролируются.
- Используйте электроинструмент, аксессуары, насадки и т. п. в соответствии с этими инструкциями, учитывая условия и специфику выполняемой работы. Использование электроинструмента для выполнения непредусмотренных операций может привести к опасным ситуациям.
- Следите за тем, чтобы рукоятки и поверхности захвата были сухими и чистыми и на них не было масла или смазочного материала. Скользкие рукоятки и поверхности захвата не позволяют безопасно использовать инструмент и контролировать его в непредвиденных ситуациях.
- Держите кабели подальше от рабочей зоны инструмента. Во время использования кабель может исчезнуть из поля зрения и случайно попасть под инструмент.

ЭКСПЛУАТАЦИЯ И ОБСЛУЖИВАНИЕ ИНСТРУМЕНТА С ПИТАНИЕМ ОТ АККУМУЛЯТОРА

RU

- **Заряжайте аккумуляторы только с помощью зарядного устройства, указанного изготовителем.** Зарядное устройство, предназначенное для одного типа аккумуляторных батарей, может стать причиной пожара при использовании с другим типом батарей.
- **Используйте электроинструмент только со специально предназначенными для него аккумуляторами.** Использование любого другого вида аккумуляторных батарей может стать причиной несчастных случаев или пожара.
- **Когда аккумулятор не используется, храните его отдельно от металлических предметов — канцелярских скрепок, монет, ключей, гвоздей, винтов и др. — они могут соединить контакты.** Короткое замыкание контактов аккумуляторной батареи может стать причиной ожогов или пожара.
- **При неблагоприятных обстоятельствах из аккумулятора может потечь электролит; избегайте контакта с ним.** При случайном контакте промойте водой. Если жидкость попала в глаза, обратитесь к врачу. Жидкость из аккумуляторной батареи может вызвать раздражение и ожоги.
- **Не используйте аккумулятор и инструмент, если они повреждены или подвергались модификациям.** Поведение поврежденных или модифицированных аккумуляторов может быть непредсказуемым, что приведет к возгоранию, взрыву и риску получения травм.
- **Не подвергайте аккумуляторную батарею и инструмент воздействию огня и высокой температуры.** Воздействие огня или температуры выше 100°C может привести к взрыву.
- **Следуйте всем инструкциям по зарядке и не заряжайте аккумулятор и инструмент при температуре, выходящей за пределы указанного диапазона.** Если зарядка выполняется неправильно или в условиях неподходящей температуры, это может привести к повреждению аккумулятора и возгоранию.

РЕМОНТ

- **Ремонт электроинструмента должен производиться квалифицированным специалистом с использованием только идентичных запасных частей. Это обеспечит безопасную работу электроинструмента.**
- **Никогда не выполняйте обслуживание поврежденного аккумулятора. Обслуживание аккумуляторов должно выполняться только производителем или в авторизованном сервисном центре.**

⚠ ПРЕДУПРЕЖДЕНИЕ. Прочитайте все правила безопасности, инструкции, иллюстрации

и спецификации, прилагаемые к этому электроинструменту. Невыполнение изложенных ниже инструкций может привести к поражению электрическим током, пожару и (или) тяжелым травмам. Сохраните все предупреждения и инструкции для использования в будущем.

Сохраните все предупреждения и инструкции для использования в будущем.

ОБУЧЕНИЕ

- Внимательно прочитайте инструкцию. Ознакомьтесь со всеми элементами управления и научитесь правильному использованию оборудования.
- Не разрешайте пользоваться устройством лицам, не прочитавшим настоящие инструкции, а также детям. Местные нормы могут ограничивать возраст оператора.
- Помните, что оператор или владелец несут ответственность за несчастные случаи и ущерб, нанесенный другим людям или их имуществу.

ПОДГОТОВКА

- Не используйте устройство, если рядом находятся люди (особенно дети) или животные.
- При работе с устройством надевайте защитные очки и прочную обувь.
- Расстояние между устройством и посторонними лицами должно составлять не менее 15 м.
- Никогда не пользуйтесь устройством, если вы устали, больны или находитесь в состоянии алкогольного или наркотического опьянения.

ЭКСПЛУАТАЦИЯ

- Используйте инструмент только при дневном свете или хорошем искусственном освещении.
- Не используйте инструмент, если щитки повреждены или не установлены.
- Перед запуском двигателя убедитесь, что режущие элементы находятся на достаточном расстоянии от рук и ног.
- Всегда отключайте устройство от источника питания (т. е. извлекайте аккумулятор) в следующих случаях:
 - если инструмент остается без присмотра;
 - перед очисткой засорения;
 - перед проверкой, очисткой или обслуживанием устройства.
 - после столкновения с посторонним предметом;
 - в случае чрезмерной вибрации устройства.

RU

- Чтобы не допустить получения травм, руки и ноги должны находиться на безопасном расстоянии от режущих частей.
- Следите за тем, чтобы вентиляционные отверстия не были засорены.

ОБСЛУЖИВАНИЕ И ХРАНЕНИЕ

- Прежде чем выполнять обслуживание или очистку, всегда отключайте устройство от источника питания (т. е. извлекайте аккумулятор).
- Используйте только запасные части и дополнительные приспособления, рекомендованные производителем.
- Регулярно проверяйте устройство и выполняйте его обслуживание. Ремонт устройства должен выполнять только квалифицированный специалист.
- Если инструмент не используется, храните его в недоступном для детей месте.

ДОПОЛНИТЕЛЬНЫЕ ПРЕДУПРЕЖДЕНИЯ ПО ТЕХНИКЕ БЕЗОПАСНОСТИ

- Не допускайте работы в опасных условиях. Не используйте устройство на влажных и мокрых склонах.
- Защитные ограждения должны быть установлены и находиться в рабочем состоянии.
- Всегда держите руки и ноги подальше от режущих частей.
- Чтобы снизить риск получения травм, никогда не работайте на стремянке или на любой другой неустойчивой поверхности. Никогда не поднимайте режущий элемент выше уровня талии.
- Регулярно проверяйте режущий элемент во время использования, а также сразу после обнаружения серьезных изменений в работе устройства.
- Для достижения наилучших результатов аккумулятор следует заряжать при температуре окружающей среды от 5 до 40 °С. Не храните его вне помещения или в транспортном средстве.
- В случае приближения к препятствиям или посторонним лицам остановите двигатель и режущий элемент.
- Предупредите оператора об опасности отдачи режущего элемента (только при использовании режущего элемента с тремя зубцами).
 - Отдача возникает при контакте вращающегося режущего элемента с объектом, который он не может сразу разрезать.
 - Отдача может быть достаточно сильной, чтобы оттолкнуть устройство и/или оператора в любом направлении и привести к потере контроля над

устройством.

- Отдача может возникнуть внезапно, если режущий элемент зацепился, застрял или зажался.
- Отдача наиболее вероятна в таких ситуациях, когда обрабатываемый материал плохо видно.
- Не прикрепляйте никакие режущие элементы к устройству без надлежащей установки всех необходимых частей. Несоблюдение рекомендаций по установке надлежащих частей может привести к отлетанию режущего элемента и нанесению серьезных травм оператору и/или посторонним лицам. Заменяйте погнутые, изношенные, треснувшие, сломанные или как-либо иначе поврежденные режущие элементы. Используйте только острые режущие элементы. Тупой режущий элемент чаще застревает и провоцирует отдачу (только при использовании режущего элемента с тремя зубцами).
- Режущий элемент или леска по инерции могут нанести травмы во время вращения даже при остановке двигателя или отпуске курка. Сохраняйте полный контроль над устройством, пока режущий элемент или леска полностью не остановится.
- Работающие от аккумуляторов инструменты не требуются подключать к розетке электросети, поэтому они всегда готовы к использованию. Помните о возможности возникновения опасных ситуаций даже когда устройство не используется. Соблюдайте осторожность при выполнении технического обслуживания или ремонта.
- Не мойте устройство из шланга. Избегайте попадания воды в двигатель и электрические соединения.
- При возникновении ситуаций, не описанных в данном руководстве, соблюдайте осторожность и руководствуйтесь здравым смыслом. Обратитесь в сервисный центр EGO за помощью.
- Используйте только аккумуляторы и зарядные устройства, указанные на рис. А.

СОХРАНИТЕ ДАННЫЕ ИНСТРУКЦИИ!

RU

ТЕХНИЧЕСКИЕ ХАРАКТЕРИСТИКИ

Режущий механизм	Головка катушки	
Диаметр лески	Нейлоновая крученая леска 2,4 мм	
Ширина резания	38 см	
Скорость работы без нагрузки	5000/6000 мин ⁻¹	
Масса (без аккумулятора)	1,59 кг	
Рекомендуемая рабочая температура	от 0 до -40 °С	
Рекомендуемая температура хранения	от -20 до -70 °С	
Измеренный уровень звуковой мощности L_{WA}	94,6 дБ (А) K=1,80 дБ (А)	
Уровень звукового давления на уши оператора L_{PA}	83,2 дБ (А) K=3 дБ (А)	
Гарантированный уровень звуковой мощности L_{WA} (измерен в соответствии с 2000/14/ЕС)	96 дБ (А)	
Вибрация a_h	Передняя вспомогательная рукоятка	1,1 м/с ² K=1,5 м/с ²
	Задняя рукоятка	1,4 м/с ² K=1,5 м/с ²

- Вышеуказанные параметры протестированы и измерены при использовании с приводным блоком RH1400E.
- Указанный общий показатель уровня вибрации был определен с помощью стандартного теста и может быть использован для сравнения разных инструментов.
- Указанный общий уровень вибрации может использоваться также для предварительной оценки уровня воздействия.

ПРИМЕЧАНИЕ. Реальное вибрационное воздействие электроинструмента может отличаться от указанного в зависимости от способа использования. В целях безопасности оператор должен надевать перчатки и средства защиты органов слуха во время использования устройства.

УПАКОВОЧНЫЙ ЛИСТ

НАЗВАНИЕ ДЕТАЛИ	КОЛИЧЕСТВО
Насадка триммера с леской	1

Щиток	1
Шестигранный ключ	1
Многофункциональный гаечный ключ	1
Руководство по эксплуатации	1

Информацию о рекомендуемой режущей леске можно найти на сайте egorowerplus.com или при помощи каталога продуктов компании EGO.

ОПИСАНИЕ

ЧАСТИ НАСАДКИ ТРИММЕРА С ЛЕСКОЙ (Рис. А).

1. Концевой колпачок
2. Вал триммера с леской
3. Режущая леска
4. Головка триммера (катушки)
5. Зажим
6. Лезвие для лески
7. Щиток
8. Шестигранный ключ
9. Многофункциональный гаечный ключ

⚠ ПРЕДУПРЕЖДЕНИЕ. Никогда не используйте устройство без надежно установленного щитка. Щиток всегда должен быть установлен на устройство для защиты пользователя.

СБОРКА

⚠ ПРЕДУПРЕЖДЕНИЕ. Если какие-либо части повреждены или отсутствуют, не используйте устройство, пока они не будут заменены. Использование устройства в случае повреждения или отсутствия частей может привести к получению серьезной травмы.

⚠ ПРЕДУПРЕЖДЕНИЕ. Не пытайтесь изменить конструкцию триммера или создать не рекомендованные для него дополнительные приспособления. Подобное изменение считается ненадлежащим использованием и способствует возникновению опасной ситуации, которая приведет к получению серьезной травмы.

⚠ ПРЕДУПРЕЖДЕНИЕ. Не подключайте устройство к приводному блоку до завершения сборки. Несоблюдение данного правила может привести к преждевременному запуску и получению серьезных травм.

RU

УСТАНОВКА ЩИТКА

⚠ ПРЕДУПРЕЖДЕНИЕ. Всегда надевайте перчатки при установке и демонтаже щитка. Остерегайтесь лезвия на щитке и берегите руки от порезов.

Открутите и удалите два винта с основания вала (Рис. С), совместите крепежные отверстия щитка с отверстиями для установки, а затем зафиксируйте щиток на основании вала при помощи двух винтов и двух пружинных шайб (Рис. D).

Убедитесь, что щиток установлен так, как показано на Рис. С и D. Любое другое положение установки может быть очень опасным!

УСТАНОВКА НАСАДКИ ТРИММЕРА С ЛЕСКОЙ НА ПРИВОДНОЙ БЛОК

Этот триммер с леской предназначен для использования с приводным блоком EGO RH1400E.

См. раздел «УСТАНОВКА ИНСТРУМЕНТА НА ПРИВОДНОЙ БЛОК» в руководстве пользователя приводного блока RH1400E.

ИСПОЛЬЗОВАНИЕ

⚠ ПРЕДУПРЕЖДЕНИЕ. Не допускайте небрежности и беспечности при работе с устройством. Помните, что потери бдительности на долю секунды достаточно для получения серьезной травмы.

⚠ ПРЕДУПРЕЖДЕНИЕ. Всегда надевайте защитные очки, а также используйте защиту органов слуха. В противном случае выбрасываемые предметы попадут в глаза, что может привести к получению серьезной травмы.

ПРИМЕНЕНИЕ

Данное устройство можно использовать в следующих целях:

- стрижка травы и сорняков около подъездов, заборов и настилов.

ПРИМЕЧАНИЕ. Данный инструмент должен использоваться только по назначению. Любое другое использование, кроме упомянутого, считается ненадлежащим.

Перед каждым использованием проверяйте устройство на наличие поврежденных и изношенных частей.

Проверьте головку триммера, щиток и переднюю

вспомогательную рукоятку и замените все треснувшие, деформированные, изогнутые или поврежденные части. Лезвие для обрезки лески на краю щитка может время от времени затупляться. Рекомендуется периодически затачивать его напильником или заменять новым.

⚠ ПРЕДУПРЕЖДЕНИЕ. Всегда надевайте перчатки при установке или замене щитка, заточке или замене лезвия. Остерегайтесь лезвия на щитке и берегите руки от порезов.

⚠ ПРЕДУПРЕЖДЕНИЕ. Чтобы предотвратить получение серьезных травм, извлекайте аккумулятор из приводного блока перед выполнением сервисного обслуживания, очистки, замены принадлежностей или удаления материала из устройства.

ИСПОЛЬЗОВАНИЕ ТРИММЕРА С ЛЕСКОЙ С ПРИВОДНЫМ БЛОКОМ

⚠ ПРЕДУПРЕЖДЕНИЕ. Одевайтесь надлежащим образом, чтобы снизить риск получения травм при использовании данного инструмента. Не надевайте свободную одежду и украшения. Используйте защиту органов зрения и слуха. Надевайте плотные длинные брюки, прочную обувь и перчатки. Не надевайте шорты, сандалии и не работайте босиком.

⚠ ПРЕДУПРЕЖДЕНИЕ. Очищайте обрабатываемый участок перед каждым использованием инструмента. Удалите такие предметы, как камни, осколки стекла, гвозди, проволоку или веревки, которые могут запутаться в режущем приспособлении или которые оно может отбросить. На участке не должны находиться дети, прохожие и животные. Дети, прохожие и животные должны находиться на расстоянии не менее 15 м, так как во время работы могут отлетать предметы. Посторонние лица должны надевать защитные очки. В случае приближения посторонних лиц немедленно остановите двигатель и режущее приспособление.

Для более безопасной и удобной работы используйте наплечный ремень. Отрегулируйте наплечный ремень до удобного положения. Удерживайте триммер одной рукой за заднюю рукоятку, а другой — за переднюю вспомогательную рукоятку. Во время работы крепко держите устройство обеими руками. Триммер с леской необходимо держать в удобном положении так, чтобы задняя рукоятка была расположена на уровне бедра. Головка триммера должна располагаться параллельно земле, чтобы оператору не нужно было нагибаться для того, чтобы головка могла лучше контактировать со срезаемым материалом (Рис. B).

⚠ ПРЕДУПРЕЖДЕНИЕ. Наплечный ремень также является быстроразъемным механизмом, использующимся в опасных ситуациях. В случае возникновения чрезвычайной ситуации немедленно снимите его с плеча любым способом.

Очищайте триммер после каждого использования.

Инструкции по очистке см. в разделе «ОБСЛУЖИВАНИЕ».

ВКЛЮЧЕНИЕ И ВЫКЛЮЧЕНИЕ ИНСТРУМЕНТА

См. раздел «ВКЛЮЧЕНИЕ И ВЫКЛЮЧЕНИЕ ПРИВОДНОГО БЛОКА» в руководстве пользователя приводного блока PH1400E.

РЕГУЛИРОВКА ДЛИНЫ РЕЖУЩЕЙ ЛЕСКИ

Головка триммера позволяет оператору вытянуть дополнительное количество лески, не выключая двигатель. Если леска износилась во время использования триммера, слегка прижмите головку триммера к земле, чтобы вытянуть дополнительную леску (Рис. Е).

ПРИМЕЧАНИЕ. Вытягивание лески становится сложнее по мере ее укорачивания.

⚠ ПРЕДУПРЕЖДЕНИЕ. Не демонтируйте и не изменяйте узел лезвия для обрезки лески. Слишком длинная леска может стать причиной перегрева двигателя и серьезных травм.

ЗАМЕНА ЛЕСКИ

ПРИМЕЧАНИЕ. Всегда используйте рекомендованную нейлоновую режущую леску диаметром не более 2,4 мм. Использование лески, не отвечающей техническим характеристикам устройства, может привести к перегреву или повреждению триммера.

⚠ ПРЕДУПРЕЖДЕНИЕ. Никогда не используйте усиленную металлом леску, проволоку, веревку и т.д. Части этих материалов могут отделяться и опасно разлетаться в стороны.

1. Извлеките аккумулятор.
2. При необходимости извлеките оставшуюся режущую леску. Просто вытяните ее вручную.
3. Отрежьте 4 м режущей лески. Вставьте леску в крепежное отверстие внутри ушка (Рис. F). Проденьте и вытяните леску с другой стороны таким образом, чтобы с обеих сторон катушки леска была одинаковой длины.

4. Прижмите фиксатор катушки и вращайте его в направлении, указанном стрелкой, чтобы намотать леску на катушку, оставив приблизительно по 14 см с каждой стороны (Рис. G).
5. Прижмите фиксатор катушки и одновременно вытяните обе лески, чтобы вручную отрегулировать длину и проверить правильность сборки головки триммера.

Если режущая леска выскочила из отверстия или не вытягивается при нажатии на головку триммера, следуйте инструкциям ниже.

1. Извлеките аккумулятор.
2. Нажмите на зажимы на фиксаторе катушки и потяните его, чтобы снять (Рис. H и I).
3. Извлеките режущую леску из фиксатора катушки.
4. Одной рукой удерживайте основание катушки, а другой рукой возьмитесь на фиксатор катушки и совместите зажимы на нем с отверстиями в основании катушки (Рис. J). Прижмите фиксатор катушки ладонью и поверните его влево и вправо, пока зажимы не зафиксируются на основании катушки (Рис. K).
5. Инструкции по установке режущей лески см. в разделе «ЗАМЕНА ЛЕСКИ».

Для использования устройства в качестве кустореза выполните действия, указанные на Рис. L и M, чтобы снять головку триммера.

ОБСЛУЖИВАНИЕ

⚠ ПРЕДУПРЕЖДЕНИЕ. При ремонте используйте только идентичные запасные части. Регулярно проверяйте и выполняйте техническое обслуживание устройства. Чтобы обеспечить безопасность и надежность устройства, его ремонт должен выполнять квалифицированный специалист.

⚠ ПРЕДУПРЕЖДЕНИЕ. При ремонте используйте только идентичные запасные части. Использование других запасных частей может привести к возникновению опасной ситуации или повреждению устройства. Чтобы обеспечить безопасность и надежность устройства, любой ремонт, кроме указанного в данных инструкциях по обслуживанию, должен выполнять квалифицированный специалист.

ОБЩЕЕ ОБСЛУЖИВАНИЕ

Не используйте растворители для очистки пластиковых частей. Большинство пластиковых частей чувствительны к различным бытовым растворителям и могут быть повреждены. Для очистки от грязи, пыли, масла, смазки и т. п. используйте чистую ткань.

RU

ОЧИСТКА УСТРОЙСТВА

- Удалите всю траву, которая могла намататься на вал двигателя или головку триммера.
- С помощью маленькой щетки или небольшого пылесоса очистите вентиляционные отверстия на задней стороне корпуса.
- Очистите устройство с помощью влажной ткани и мягкого моющего средства.
- Не используйте активные моющие средства для очистки пластикового корпуса или рукоятки. Они могут быть повреждены определенными ароматическими маслами, такими как хвойное и лимонное масла, а также растворителями, например керосином. Кроме того, наличие влаги может привести к поражению электрическим током. Протрите влажное место мягкой сухой тканью.

СМАЗКА ШЕСТЕРНЕЙ РЕДУКТОРА

Шестерни в редукторе необходимо периодически смазывать трансмиссионной смазкой. Проверьте уровень смазки каждые 50 часов работы, сняв уплотнительный винт на боковой стороне корпуса.

Если по бокам шестерней не видно следов смазки, выполните указанные ниже действия, чтобы залить трансмиссионную смазку на 3/4 объема.

Не заливайте шестерни редуктора полностью.

1. Положите триммер с леской на бок таким образом, чтобы уплотнительный винт был направлен вверх.
2. Используйте прилагаемый многофункциональный гаечный ключ, чтобы открутить и извлечь уплотнительный винт.
3. Используйте смазочный шприц (не входит в комплект), чтобы впрыснуть немного смазки в отверстие для винта (не более 3/4 объема).
4. Закрутите уплотнительный винт после смазки.

ХРАНЕНИЕ УСТРОЙСТВА

- Извлеките аккумулятор из триммера.
- Тщательно очистите устройство перед хранением.
- Если насадка триммера с леской снята с приводной головки и хранится отдельно, установите концевой колпачок на вал инструмента, чтобы избежать попадания грязи внутрь муфты.
- Храните устройство в сухом, хорошо проветриваемом, закрытом или высоком месте, недоступном для детей. Не храните устройство рядом с удобрениями, бензином или другими химическими веществами.

Защита окружающей среды



Не выбрасывайте электрооборудование, зарядные устройства, батарейки и аккумуляторы вместе с бытовыми отходами!

В соответствии с европейским законом 2012/19/EU электрическое и электронное оборудование, которое не подлежит дальнейшей эксплуатации, а также непригодные и использованные батарейки и аккумуляторы (согласно европейскому закону 2006/66/EC) должны быть утилизированы отдельно.

При утилизации электрических устройств на свалках в подземные воды могут просочиться опасные вещества, которые затем попадут в пищевую цепь и приведут к общему ухудшению здоровья и благополучия.

УСТРАНЕНИЕ НЕИСПРАВНОСТЕЙ

ПРОБЛЕМА	ПРИЧИНА	РЕШЕНИЕ
Триммер с леской не запускается.	<ul style="list-style-type: none"> ■ Аккумулятор не установлен в приводной блок. ■ Нет электрического контакта между приводным блоком и аккумулятором. ■ Аккумулятор разряжен. ■ Рычаг блокировки и курковый переключатель не зажаты одновременно. 	<ul style="list-style-type: none"> ■ Установите аккумулятор в приводной блок. ■ Извлеките аккумулятор, проверьте контакты и установите аккумулятор на место до щелчка. ■ Зарядите аккумулятор с помощью зарядного устройства EGO, указанного в данном руководстве. ■ Нажмите на рычаг блокировки и удерживайте его, затем нажмите курковый переключатель, чтобы включить триммер.
Устройство остановилось во время работы.	<ul style="list-style-type: none"> ■ Щиток не установлен на триммер, в результате чего леска стала очень длинной, и двигатель перегрелся. ■ Используется слишком тяжелая режущая леска. ■ Вал двигателя и головка триммера забились травой. ■ Двигатель перегружен. ■ Аккумулятор или триммер перегрелись. ■ Аккумулятор не подключен к устройству. ■ Аккумулятор разряжен. 	<ul style="list-style-type: none"> ■ Извлеките аккумулятор и установите щиток на триммер. ■ Используйте рекомендуемую нейлоновую режущую леску диаметром не более 2,4 мм. ■ Выключите триммер, извлеките аккумулятор и удалите траву из вала двигателя и головки триммера. ■ Поднимите головку триммера над травой. Двигатель начнет работать снова, как только нагрузка уменьшится. Во время скашивания перемещайте головку триммера в траву и из нее, срезая не более 20 см длины за раз. ■ Дайте аккумулятору или триммеру остыть, пока температура не упадет ниже 67 °C. ■ Установите аккумулятор. ■ Зарядите аккумулятор с помощью зарядного устройства EGO, указанного в данном руководстве.

RU

ПРОБЛЕМА	ПРИЧИНА	РЕШЕНИЕ
Из головки триммера не вытягивается леска.	<ul style="list-style-type: none"> ■ Вал двигателя и головка триммера забились травой. ■ Недостаточно лески в катушке. ■ Головка триммера загрязнена ■ Леска запуталась в фиксаторе катушки. ■ Леска слишком короткая. 	<ul style="list-style-type: none"> ■ Выключите триммер, извлеките аккумулятор и удалите траву из вала двигателя и головки триммера. ■ Извлеките аккумулятор и замените режущую леску в соответствии с инструкциями в разделе «ЗАМЕНА ЛЕСКИ» данного руководства. ■ Извлеките аккумулятор, очистите катушку, ее фиксатор и основание. ■ Извлеките аккумулятор, снимите леску с катушки и намотайте ее заново в соответствии с инструкциями в разделе «ЗАМЕНА ЛЕСКИ» данного руководства. ■ Извлеките аккумулятор и вытяните леску, нажимая на фиксатор катушки.
Трава наматалась на головку триммера и корпус двигателя.	<ul style="list-style-type: none"> ■ Стрижка высокой травы на уровне земли. 	<ul style="list-style-type: none"> ■ Скашивайте высокую траву сверху вниз и срезайте не более 20 см за один раз, чтобы предотвратить подобные ситуации.
Лезвие не режет леску.	<ul style="list-style-type: none"> ■ Лезвие для обрезки лески на краю щитка затупилось. 	<ul style="list-style-type: none"> ■ Заточите лезвие для обрезки лески напильником или замените.
Трещины на головке триммера или фиксаторе катушки привели к ослаблению основания катушки.	<ul style="list-style-type: none"> ■ Головка триммера изношена. 	<ul style="list-style-type: none"> ■ Немедленно выполните замену головки триммера. См. раздел «ЗАМЕНА ГОЛОВКИ ТРИММЕРА» в настоящем руководстве.
Во время замены не удается установить леску в головку триммера надлежащим образом.	<ul style="list-style-type: none"> ■ Метки LOAD фиксатора катушки не выровнены с ушками на основании катушки. ■ Леска неправильно продета через крепежное отверстие ушка. 	<ul style="list-style-type: none"> ■ Поверните фиксатор катушки в направлении, указанном стрелкой, чтобы совместить метки LOAD на фиксаторе катушки с ушками в основании катушки. ■ Сначала совместите метки LOAD с ушками, а затем проденьте леску через крепежное отверстие ушка.

RU

ГАРАНТИЯ

ГАРАНТИЙНАЯ ПОЛИТИКА EGO

Посетите веб-сайт egopowerplus.com, чтобы ознакомиться со всеми условиями и сроками гарантийной политики EGO.

PRZECZYTAJ WSZYSTKIE INSTRUKCJE!



PRZECZYTAJ INSTRUKCJĘ OPERATORA

⚠ Ryzyko szczątkowe! Osoby z urządzeniami elektronicznymi, takimi jak rozruszniki serca, powinny przed użyciem produktu skonsultować się ze swoim(i) lekarzem/-ami. Używanie urządzeń elektrycznych blisko rozrusznika serca może spowodować zakłócenia lub uszkodzić rozrusznik.

⚠ OSTRZEŻENIE: Aby zagwarantować bezpieczeństwo i niezawodność, wszystkie naprawy i wymiany części powinny być wykonywane przez wykwalifikowanych techników serwisu.

SYMBOLE BEZPIECZEŃSTWA

Celem symboli bezpieczeństwa jest zwrócenie uwagi użytkownika na możliwe zagrożenia. Symbole bezpieczeństwa i objaśnienia do nich zasługują na to, by je uważnie przestudiować i zrozumieć. Symbole bezpieczeństwa nie eliminują same z siebie jakichkolwiek zagrożeń. Podawane w nich instrukcje i ostrzeżenia nie zastępują odpowiednich środków zapobiegania wypadkom.

⚠ OSTRZEŻENIE: Przed użyciem narzędzia należy koniecznie przeczytać ze zrozumieniem wszystkie instrukcje dotyczące bezpieczeństwa podane w podręczniku użytkownika, łącznie z wszystkimi symbolami ostrzegawczymi takimi jak „**NIEBEZPIECZEŃSTWO**”, „**OSTRZEŻENIE**” i „**UWAGA**”. Niestosowanie się do wszystkich podanych niżej instrukcji może doprowadzić do porażenia prądem, pożaru i/lub poważnych obrażeń.

ZNACZENIE SYMBOLI

⚠ SYMBOL OSTRZEGAWCZY: Oznacza **NIEBEZPIECZEŃSTWO**, **OSTRZEŻENIE** lub **UWAGĘ**, może być używany razem z innymi symbolami lub piktogramami.



⚠ OSTRZEŻENIE: Praca elektronarzędziami może spowodować wyrzucenie ciał obcych w oczy użytkownika, co może doprowadzić do poważnych urazów oczu. Przed rozpoczęciem pracy elektronarzędziem należy zawsze założyć gogle ochronne lub okulary z osłonami bocznymi, a w stosownych przypadkach także pełną osłonę na twarz. Zalecamy nakładanie na zwykłe okulary maski zabezpieczającej o szerokim polu widzenia lub stosowanie standardowych okularów zabezpieczających z osłonami bocznymi.



INSTRUKCJE DOTYCZĄCE BEZPIECZEŃSTWA

Na tej stronie pokazano i opisano symbole bezpieczeństwa, które mogą występować na produkcie. Przed podjęciem próby złożenia i użycia urządzenia należy przeczytać i zrozumieć wszystkie instrukcje dotyczące urządzenia oraz zastosować się do nich.

	Ostrzeżenie dotyczące bezpieczeństwa	Wskazuje na potencjalne ryzyko urazów ciała.
	Przeczytaj instrukcję operatora	Aby zmniejszyć ryzyko urazów, użytkownik musi przeczytać i zrozumieć instrukcję przed rozpoczęciem korzystania z produktu.
	Noś okulary ochronne	Podczas używania produktu należy zawsze nosić gogle ochronne lub okulary ochronne z osłonami bocznymi, a także pełną osłonę na twarz.
	Noś ochronniki słuchu	W celu ochrony słuchu należy zawsze nosić ochronniki słuchu (zatyczki do uszu lub nauszniki).
	Noś kask ochronny	Aby chronić głowę, należy nosić atestowany kask ochronny.

PL

	Noś rękawice ochronne	Na czas prac przy ostrzu i osłonie ostrza należy zabezpieczyć ręce rękawicami. Wytrzymałe rękawice antypoślizgowe poprawiają uchwyt i chronią dłonie.
	Noś obuwie ochronne	Podczas używania urządzenia należy nosić obuwie ochronne z podszewami antypoślizgowymi.
	Szerokość koszenia	Maks. szerokość koszenia podkaszarki
	Średnica żyłki	Średnica żyłki nylonowej
	Ne zakładaj okrągłej tarczy tnącej	Nie należy montować okrągłych tarcz tnących.
	Osoby postronne trzymaj z daleka	Należy zawsze pilnować, aby inni ludzie i zwierzęta domowe pozostawali w odległości co najmniej 15 m od pracującej podkaszarki.
	Osoby postronne trzymaj z daleka	Należy zawsze pilnować, aby inni ludzie i zwierzęta domowe pozostawali w odległości co najmniej 15 m od pracującej podkaszarki.
	Chroń przed deszczem	Nie używać w deszczu i nie zostawiać na dworze podczas deszczu.
	CE	Produkt jest zgodny z obowiązującymi dyrektywami WE.

	WEEE	Zużytych urządzeń elektrycznych nie należy wyrzucać razem ze zwykłymi odpadami domowymi. Należy je oddać do autoryzowanego punktu recyklingu.
	Hałas	Gwarantowany poziom mocy akustycznej. Emisja hałasu do środowiska zgodnie z dyrektywą Wspólnoty Europejskiej.
V	Wolt	Napięcie
mm	Milimetr	Długość lub rozmiar
cm	Centymetr	Długość lub rozmiar
kg	Kilogram	Ciężar

PL

OGÓLNE OSTRZEŻENIA DOTYCZĄCE BEZPIECZEŃSTWA UŻYWANIA ELEKTRONARZĘDZI

⚠ OSTRZEŻENIE: Prosimy przeczytać wszystkie ostrzeżenia i instrukcje oraz przestudiować specyfikację i ilustracje dostarczone wraz z elektronarzędziem. Niestosowanie się do wszystkich podanych niżej instrukcji może doprowadzić do porażenia prądem, pożaru i/lub poważnych obrażeń.

Prosimy zachować na przyszłość wszystkie ostrzeżenia i instrukcje.

Termin „elektronarzędzie” występujący w ostrzeżeniach dotyczy narzędzia elektrycznego o zasilaniu sieciowym (przewodowego) lub akumulatorowym (beprzewodowego).

BEZPIECZEŃSTWO W MIEJSCU PRACY

- **Należy dbać o czystość i dobre oświetlenie w miejscu pracy.** Bałagan i złe oświetlenie sprzyjają wypadkom.
- **Nie należy używać elektronarzędzi w miejscach zagrożonych wybuchem, np. w obecności łatwopalnych cieczy, gazów lub pyłu.** Elektronarzędzia wytwarzają iskry, które mogą zapalić opary lub pył.
- **W czasie pracy elektronarzędzie należy trzymać z dala od dzieci i osób postronnych.** Chwila nieuwagi może spowodować utratę kontroli nad urządzeniem.

BEZPIECZEŃSTWO OSOBISTE

- **Podczas pracy narzędziem należy zachowywać czujność, patrzeć, co się robi i kierować się zdrowym rozsądkiem. Nie należy używać elektronarzędzia, gdy użytkownik jest zmęczony, albo jest pod wpływem narkotyków, alkoholu lub leków.** Chwila nieuwagi w czasie posługiwania się elektronarzędziami może spowodować poważne obrażenia.
- **Należy używać środków ochrony osobistej i zawsze nosić okulary ochronne.** Stosowanie w odpowiednich warunkach sprzętu ochronnego takiego jak np. maska przeciwpyłowa, obuwie ochronne z podszewkami antypoślizgowymi, kask lub ochronniki słuchu zmniejszy ewentualne obrażenia.
- **Nie należy dopuszczać do przypadkowego włączenia. Należy pilnować, aby przed podłączeniem narzędzia do zasilania i/lub baterii akumulatorowej oraz przed podniesieniem i przenoszeniem przełącznik był ustawiony w pozycji „wyłączone”.** Trzymanie palca na przełączniku w czasie przenoszenia narzędzi elektrycznych lub podłączanie ich do zasilania, gdy przełącznik jest ustawiony w pozycji „włączone” może doprowadzić do wypadku.
- **Przed włączeniem elektronarzędzia należy usunąć wszystkie klucze regulacyjne i inne narzędzia.** Klucz zaczepiony o obracającą się część elektronarzędzia może spowodować obrażenia.
- **Nie należy sięgać za daleko. Należy zawsze dbać o utrzymanie równowagi i pewne podparcie nóg.** W nieprzewidzianych sytuacjach zapewnią to lepszą kontrolę nad elektronarzędziem.
- **Należy nosić odpowiednią odzież. Nie powinno się nosić luźnych ubrań ani biżuterii.** Włosy, odzież i rękawice należy trzymać w bezpiecznej odległości od poruszających się części. Luźne ubrania, biżuteria lub długie włosy mogą zaczepić się o poruszające się części.
- **Jeżeli urządzenie jest przystosowane do podłączania do odsysacza pyłu i urządzenia zbierającego, należy dopilnować, aby systemy te były podłączone i właściwie stosowane.** Używanie urządzeń służących do pochłaniania pyłu może zmniejszyć zagrożenia związane z pyłem.
- **Nie wolno dopuścić do tego, aby poczucie znajomości narzędzia wynikające z jego częstego używania doprowadziło do lekceważenia i ignorowania zasad bezpieczeństwa.** Jedno lekkomyślne działanie może w ułamku sekundy doprowadzić do ciężkich urazów.

UŻYWANIE I KONSERWOWANIE ELEKTRONARZĘDZI

- **Elektronarzędzia nie należy forsować. Należy używać narzędzia dostosowanego do wykonywanej pracy.** Odpowiednie narzędzie elektryczne wykona pracę lepiej i

bezpieczniej, gdy pozwoli mu się pracować z prędkościami/obrotami do jakich zostało zaprojektowane.

- **Nie należy używać elektronarzędzia, jeżeli przełącznik zasilania nie włącza go lub nie wyłącza.** Elektronarzędzie, którego nie da się kontrolować przełącznikiem, jest potencjalnie niebezpieczne i wymaga naprawy.
- **Nie używane elektronarzędzia należy przechowywać w miejscu niedostępnym dla dzieci. Osobom, które nie znają narzędzia lub nie zapoznały się z instrukcją nie należy pozwalać go używać.** W rękach nieprzeszkolonych użytkowników elektronarzędzia mogą stanowić zagrożenie.
- **Elektronarzędzia i akcesoria należy utrzymywać w dobrym stanie. Należy kontrolować, czy części ruchome nie są odchylone od osi, nie zacinają się i nie są pęknięte lub uszkodzone w inny sposób, który mógłby wpłynąć na działanie narzędzia. W razie uszkodzenia, przed użyciem należy oddać narzędzie do naprawy.** Wiele wypadków wynika ze złej konserwacji narzędzi.
- **Należy dbać o czystość i naostrzenie narzędzi tnących.** Odpowiednio utrzymane narzędzia tnące z ostrymi krawędziami tnącymi są mniej narażone na zakleszczanie się i łatwiej jest je kontrolować.
- **Elektronarzędzi, akcesoriów, wiertel, bitów, itp. należy używać zgodnie z niniejszą instrukcją, z uwzględnieniem warunków i rodzaju wykonywanej pracy.** Korzystanie z elektronarzędzi niezgodnie z przeznaczeniem może prowadzić do niebezpiecznych sytuacji.
- **Należy dbać o to, aby powierzchnia uchwytów była sucha, czysta i niezaplamiiona olejem lub smarem.** Śliskie uchwyty nie pozwalają w bezpieczny sposób kontrolować narzędzia w nieprzewidzianych sytuacjach.
- **Kable należy trzymać z dala od strefy pracy narzędzia.** W czasie użytkowania kable mogą się schować w krzakach i mogą zostać przypadkowo uszkodzone przez narzędzie.

UŻYWANIE I KONSERWOWANIE NARZĘDZI AKUMULATOROWYCH

- **Do ładowania należy używać wyłącznie ładowarki wskazanej przez producenta.** Użycie ładowarki pochodzącej od jednego akumulatora do ładowania innego akumulatora grozi pożarem.
- **Elektronarzędzi należy używać wyłącznie z dedykowanymi do nich akumulatorami.** Użycie jakichkolwiek innych akumulatorów grozi obrażeniami i pożarem.

PL

- Jeżeli akumulator nie jest używany, należy go przechowywać z dala od innych przedmiotów metalowych, np. spinaczy, monet, kluczy, gwoździ, śrub i innych drobnych przedmiotów metalowych, które mogłyby spowodować zwarcie wyprowadzeń akumulatora. Zwarcie wyprowadzeń akumulatora może doprowadzić do oparzenia lub pożaru.
- W niesprzyjających warunkach może dojść do wycieku cieczy z akumulatora. Należy wtedy unikać wszelkiego kontaktu z tą cieczą. W razie przypadkowego kontaktu ze skórą, zabrudzone miejsce należy obficie przemyć wodą. Jeżeli płyn dostanie się do oczu, należy dodatkowo zasięgnąć porady lekarza. Płyn wyciekający z akumulatora może powodować podrażnienie lub oparzenia.
- Nie należy używać akumulatora lub narzędzia, które są uszkodzone lub zostały poddane przeróbkom. Uszkodzone lub zmodyfikowane akumulatory mogą zachowywać się w sposób nieprzewidywalny, co może doprowadzić do pożaru lub wybuchu lub stwarzać ryzyko urazów.
- Nie należy narażać akumulatora lub narzędzia na kontakt z ogniem lub zbyt wysokimi temperaturami. Ogień lub temperatury przekraczające 100°C mogą doprowadzić do wybuchu.
- Należy przestrzegać wszystkich instrukcji ładowania. Nie należy ładować akumulatora lub narzędzia poza przedziałem temperatur podanym w instrukcji. Ładowanie w sposób nieprawidłowy lub w temperaturze wykraczającej poza określony zakres może doprowadzić do uszkodzenia akumulatora i zwiększa ryzyko pożaru.

SERWISOWANIE

- Serwisowanie elektronarzędzia należy powierzać wykwalifikowanemu serwisantowi, a do naprawy używać wyłącznie części zamiennych identycznych z oryginalnymi. Zapewni to bezpieczeństwo eksploatacji elektronarzędzia.
- Uszkodzonych akumulatorów nie należy nigdy naprawiać. Jakiegokolwiek czynności serwisowe przy akumulatorach powinny być wykonywane wyłącznie przez producenta lub pracowników autoryzowanego serwisu.

⚠ OSTRZEŻENIE: Prosimy przeczytać wszystkie ostrzeżenia i instrukcje oraz przestudiować specyfikację i ilustracje dostarczone wraz z elektronarzędziem. Niestosowanie się do wszystkich podanych niżej instrukcji może doprowadzić do porażenia prądem, pożaru i/lub poważnych obrażeń. Prosimy zachować na przyszłość wszystkie ostrzeżenia i instrukcje.

Prosimy zachować na przyszłość wszystkie ostrzeżenia i instrukcje.

SZKOLENIE

- Prosimy uważnie przeczytać instrukcję. Należy zapoznać się z elementami sterującymi i metodami poprawnej obsługi urządzenia.
- Nigdy nie należy pozwalać używać urządzenia osobom nieobeznanim z niniejszą instrukcją lub dzieciom. Przepisy lokalne mogą nakładać ograniczenia dotyczące wieku operatora.
- Należy pamiętać, że operator lub użytkownik ponosi odpowiedzialność za wypadki lub zagrożenia dotyczące osób trzecich lub ich własności.

PRZYGOTOWANIE

- Nigdy nie należy używać urządzenia, gdy w pobliżu znajdują się ludzie (zwłaszcza dzieci) lub zwierzęta domowe.
- W czasie używania urządzenia należy nosić okulary i solidne buty.
- Odległość między maszyną a osobami postronnymi musi wynosić co najmniej 15 metrów.
- Nigdy nie należy używać narzędzia, gdy operator jest zmęczony, chory albo pod wpływem alkoholu lub narkotyków.

UŻYTKOWANIE

- Urządzenia należy używać tylko przy świetle dziennym lub przy dobrym oświetleniu sztucznym.
- Urządzenia nie należy nigdy używać z uszkodzonymi osłonami lub bez założonych osłon.
- Silnik wolno włączyć dopiero wtedy, gdy ręce i stopy znajdują się z dala od urządzenia tnącego.
- W następujących sytuacjach urządzenie należy zawsze odłączyć od zasilania (tj. wyjąć z niego akumulator):
 - za każdym razem, gdy urządzenie zostaje pozostawione bez nadzoru;
 - przed odblokowaniem zablokowanego mechanizmu;
 - Przed kontrolą, czyszczeniem lub wykonywaniem prac przy urządzeniu.
 - po uderzeniu w dowolny przedmiot;
 - za każdym razem, gdy urządzenie wpada w nietypowe wibracje.
- Należy uważać na ryzyko skaleczenia stóp i rąk elementem tnącym.
- Otwory wentylacyjne muszą być zawsze drożne.

KONSERWACJA I PRZECHOWYWANIE

- Przed czyszczeniem i czynnościami konserwacyjnymi, urządzenie należy odłączyć od zasilania (tj. wyjąć z niego akumulator).
- Należy używać wyłącznie części zamiennych i akcesoriów zalecanych przez producenta.
- Urządzenie należy regularnie kontrolować i konserwować. Naprawy urządzenia powinny być wykonywane wyłącznie przez serwisanta z odpowiednimi uprawnieniami.
- Gdy urządzenie nie jest używane, należy je przechowywać w miejscu niedostępnym dla dzieci.

POZOSTAŁE OSTRZEŻENIA

- Należy unikać pracy w niebezpiecznych warunkach – Nie używać urządzeń na podmokłych lub wilgotnych pochyłościach.
- Osłony zabezpieczające muszą być zawsze założone i sprawne.
- Ręce i stopy należy trzymać z dala od strefy koszenia.
- Aby ograniczyć ryzyko urazów, nigdy nie należy pracować na drabinie lub innych niebezpiecznych podporach. Końcówki tnącej nie wolno nigdy trzymać powyżej poziomu pasa.
- W czasie użytkowania końcówkę tnącą należy sprawdzać w regularnych odstępach czasu. W przypadku zauważalnej zmiany w sposobie koszenia kontrolę należy przeprowadzić natychmiast.
- Aby uzyskać najlepsze wyniki, akumulator należy ładować w miejscu, w którym temperatura mieści się w przedziale od 5°C do 40°C. Nie przechowywać na dworze lub w pojazdach.
- Jeśli do użytkownika zbliży się jakaś osoba, należy wyłączyć silnik i zatrzymać końcówkę tnącą.
- Prosimy ostrzec operatora o ryzyko związanym z odbiciem ostrza (dotyczy tylko przypadku używania narzędzia z ostrzem z 3 zębami).
 - Gdy kręcące się ostrze dotknie przedmiotu, który nie poddaje się natychmiastowemu przecięciu, może pojawić się siła odbicia ostrza.
 - Siła odbicia ostrza może być na tyle gwałtowna, że może spowodować odepchnięcie maszyny i/lub operatora w dowolną stronę, z możliwością utraty kontroli nad narzędziem.
 - Jeśli ostrze zaczepi się o coś, zablokuje się lub zaklinuje, do odbicia może dojść bez jakiegokolwiek ostrzeżenia.
 - Odbicie ostrza zdarza się częściej w miejscach, w których trudno jest zobaczyć koszony materiał.
- Nie należy zakładać żadnego ostrza do urządzenia bez prawidłowego zainstalowania wszystkich wymaganych części. Bez użycia odpowiednich części mogłyby dojść do wyrzucenia ostrza w powietrze i do poważnych urazów operatora lub osób postronnych. Ostrza, które ulegną skrzywieniu, skręceniu, pęknięciu, nadłamaniu lub innemu uszkodzeniu należy zawsze wyrzucić. Używane ostrze musi być ostre. Tępe ostrze łatwiej klinuje się i ulega odbiciu (dotyczy tylko przypadku używania narzędzia z ostrzem z 3 zębami).
- Ostrze/żyłka tnąca obracająca się na luzie po wyłączeniu silnika lub puszczeniu spustu może spowodować urazy. Do momentu całkowitego zatrzymania się ostrza tnącego/żyłki należy pilnować narzędzia.
- Narzędzia akumulatorowe nie wymagają podłączenia do kontaktu elektrycznego i dlatego są zawsze gotowe do pracy. Należy więc mieć świadomość możliwych zagrożeń, występujących nawet wtedy, gdy narzędzie nie jest używane. Podczas wykonywania czynności konserwacyjnych lub serwisowych należy zachować ostrożność.
- Nie należy czyścić urządzenia węžem; należy unikać zachlapywania wodą silnika i połączeń elektrycznych.
- W sytuacjach, które nie zostały przewidziane w niniejszej instrukcji należy zachować ostrożność i kierować się własnym zdrowym rozsądkiem. W celu uzyskania pomocy prosimy skontaktować się z centrum obsługi klienta EGO.
- W urządzeniu należy używać wyłącznie akumulatorów i ładowarek podanych na rys. A.

PL

INSTRUKCJI NIE NALEŻY WYRZUCAĆ!

SPECYFIKACJA

Mechanizm tnący	Głowica-uderzak
Średnica żyłki	Żyłka nylonowa 2,4 mm
Szerokość koszenia	38 cm
Prędkość bez obciążenia	5000/6000 min ⁻¹
Waga (bez akumulatora)	1,59 kg
Zalecana temperatura pracy	0°C-40°C
Zalecana temperatura składowania	-20°C-70°C
Zmierzony poziom mocy akustycznej L _{WA}	94,6 dB(A) K=1,80 dB(A)
Poziom ciśnienia akustycznego przy uchu operatora L _{PA}	83,2 dB(A) K=3 dB(A)
Gwarantowany poziom mocy akustycznej L _{WA} (zmierzony zgodnie z dyrektywą 2000/14/WE)	96 dB(A)

Drgania a_h	Przedni uchwyt pomocniczy	1,1 m/s ² K=1,5 m/s ²
	Uchwyt tylny	1,4 m/s ² K=1,5 m/s ²

- Powyższe parametry są testowane i mierzone na głowicy uniwersalnej PH1400E.
- Deklarowana całkowita wartość drgań została zmierzona zgodnie ze standardowymi metodami testowania i może służyć do porównywania różnych narzędzi.
- Deklarowana całkowita wartość drgań może również służyć do wstępnej oceny narażenia na drgania.

UWAGA: W zależności od sposobu eksploatacji, emisja wibracji podczas faktycznego użytkowania elektronarzędzia może się różnić od wartości deklarowanej. Aby chronić operatora, w rzeczywistych warunkach użytkowania użytkownik powinien nosić rękawice i nauszniaki ochronne.

LISTA ELEMENTÓW W OPAKOWANIU

PL

NAZWA CZĘŚCI	ILOŚĆ
Końcówka-podkaszarka na żyłkę	1
Oslona	1
Klucz imbusowy	1
Klucz wielofunkcyjny	1
Instrukcja operatora	1

Informacje nt. zalecanej długości żyłki znaleźć można na stronie egopowerplus.com lub w katalogu produktów EGO.

OPIS

POZNAJ KOŃCÓWKĘ-PODKASZARKĘ NA ŻYŁKĘ

1. Zaśleпка
2. Walek podkaszarki
3. Żyłka tnąca
4. Głowica podkaszarki (głowica-uderzak)
5. Zaczep odblokowujący
6. Ostrze d cięcia żyłki
7. Oslona
8. Klucz imbusowy
9. Klucz wielofunkcyjny

⚠ OSTRZEŻENIE: Nigdy nie należy włączać narzędzia bez mocno założonej osłony. Aby chronić użytkownika, osłona musi być zawsze założona na narzędzie!

MONTAŻ

⚠ OSTRZEŻENIE: W przypadku braku lub uszkodzenia którejś z części nie należy uruchamiać urządzenia aż do momentu wymiany lub naprawy części. Używanie urządzenia z uszkodzonymi lub brakującymi częściami może doprowadzić do poważnych urazów ciała.

⚠ OSTRZEŻENIE: Nie należy próbować przerabiać urządzenia lub tworzyć akcesoriów, które nie są zalecane do używania w podkaszarce. Wszelkie tego typu zmiany lub modyfikacje są niedozwolone i mogą prowadzić do niebezpiecznych sytuacji oraz poważnych urazów ciała.

⚠ OSTRZEŻENIE: Przed całkowitym złożeniem urządzenia nie należy podłączać zasilania. Nieprzestrzeżenie tego zalecenia może doprowadzić do przypadkowego włączenia się narzędzia, co może spowodować poważne urazy ciała.

MONTAŻ OSŁONY

⚠ OSTRZEŻENIE: Podczas zakładania lub wymieniania osłony należy zawsze mieć założone rękawice. Należy uważać na ostrze na osłonie i chronić dłoń przed skaleczeniem ostrzem.

Odkręcić i wyjąć dwie śruby z trzonka podstawy (Rys. C), wyrównać otwory mocujące osłony względem otworów montażowych i dwiema śrubami z dwiema podkładkami sprężynującymi zablokować osłonę na podstawie trzonka (Rys. D).

Upewnić się, że osłona jest zamocowana zgodnie z Rys. C i D, jakiegokolwiek rodzaju montaż odwrotną stroną stanowi poważne zagrożenie!

ZAKŁADANIE KOŃCÓWKI-PODKASZARKI NA GŁOWICĘ UNIWERSALNĄ

Ta końcówka-podkaszarka na żyłkę została zaprojektowana do używania z głowicą uniwersalną EGO model PH1400E.

Więcej informacji – patrz część „ZAKŁADANIE KOŃCÓWKI NA GŁOWICĘ UNIWERSALNĄ” w instrukcji do głowicy uniwersalnej PH1400E.

ŻYTKOWANIE

⚠ OSTRZEŻENIE: Nie wolno dopuścić do tego, aby znajomość narzędzia doprowadziła do nieuwagi. Należy pamiętać, że do spowodowania poważnych obrażeń wystarczy zaledwie chwila nieuwagi.

⚠ OSTRZEŻENIE: Należy zawsze nosić środki ochrony oczu i uszu. Nieprzestrzeganie tego zalecenia może doprowadzić do poważnych obrażeń oczu odłamkiem lub skrawkiem materiału wyrzuconym przez pracujące narzędzie, a także grozi innymi możliwymi urazami.

ZASTOSOWANIA

Urządzenia można używać wyłącznie do celów podanych poniżej:

- przycinanie trawy i chwastów przy gankach, płotach i podestach.

UWAGA: Narzędzia należy używać tylko do celów zgodnych z przeznaczeniem. Wszelkie inne zastosowania uznaje się za niezgodne z przeznaczeniem.

Przed każdym użyciem należy sprawdzić, czy jakiegoczęści nie są uszkodzone/zużyte

Należy skontrolować głowicę podkaszarki, osłonę i przedni uchwyt pomocniczy oraz wymienić części pęknięte, wypaczone, skrzywione lub uszkodzone w jakikolwiek sposób.

Ostrze do żyłki tnącej na krawędzi osłony może się z czasem stępić. Zaleca się je okresowo ostrzyć pilnikiem lub wymieniać na nowe.

⚠ OSTRZEŻENIE: Na czas mocowania lub zdejmowania osłony lub ostrzenia lub wymieniania ostrza należy zawsze zakładać rękawice. Należy zwrócić uwagę na położenie ostrza na osłonie i chronić rękę przed skażeniem ostrzem.

⚠ OSTRZEŻENIE: Aby uniknąć poważnych obrażeń ciała, przed serwisowaniem, czyszczeniem, wymianą osprzętu dodatkowego (końcówki) oraz usuwaniem materiału, z głowicy uniwersalnej należy zawsze wyjmować akumulator.

UŻYWANIE PODKASZARKI ZAŁOŻONEJ NA GŁOWICĘ UNIWERSALNĄ

⚠ OSTRZEŻENIE: Aby ograniczyć ryzyko obrażeń, podczas pracy narzędziem należy nosić odpowiednią odzież. Nie należy nosić luźnych ubrań ani biżuterii. Należy nosić środki ochrony oczu i ochronniki słuchu. Należy nosić ciężkie długie spodnie, solidne buty i rękawice. Nie należy nosić krótkich spodni lub sandałów ani używać narzędzia na bosą.

⚠ OSTRZEŻENIE: Przed każdym użyciem narzędzia należy uprzętnąć teren pracy. Usunąć wszystkie przedmioty takie jak kamienie, potłuczone szkło, gwoździe, kawałki drutu lub sznurka itp., które mogą zostać wyrzucone w powietrze lub mogą zaplątać się w końcówkę tnącą. Z terenu, który ma zostać skoszony wyprosić dzieci i osoby postronne oraz wygonić zwierzęta. Jako minimum dzieci i osoby postronne oraz zwierzęta muszą znajdować się w odległości 15 m, jednak taka odległość nadal nie eliminuje całkowicie ryzyka trafienia wyrzuconymi w powietrze przedmiotami. Osoby postronne należy zachęcać do noszenia okularów ochronnych. Jeśli do użytkownika zbliży się jakaś osoba, należy natychmiast wyłączyć silnik i zatrzymać końcówkę tnącą.

Aby bezpieczniej i lepiej pracować narzędziem, należy przełożyć przez ramię pasek na ramię. Pasek wyregulować w taki sposób, aby zagwarantować wygodną pozycję pracy. Podkaszarkę należy trzymać jedną ręką na uchwycie tylnym, a drugą na przednim uchwycie pomocniczym. Podczas pracy narzędziem należy mocno trzymać uchwyty obiema rękoma. Podkaszarkę należy trzymać wygodnie z tylnym uchwytem znajdującym się mniej więcej na wysokości bioder. Głowica podkaszarki powinna być ustawiona równoległe do ziemi, tak aby łatwo mogła dotknąć przecinanego materiału bez potrzeby schylania się operatora (Rys. B).

⚠ OSTRZEŻENIE: Pasek na ramię jest także mechanizmem szybkiego odłączenia w niebezpiecznych sytuacjach. W sytuacji awaryjnej należy go natychmiast zdjąć z ramienia, niezależnie od sposobu założenia paska.

Po każdym użyciu należy wyczyścić podkaszarkę.

Instrukcje dotyczące czyszczenia – patrz część zatytułowana KONSERWACJA.

WŁĄCZANIE/WYŁĄCZANIE NARZĘDZIA

Więcej informacji – patrz część „WŁĄCZANIE/WYŁĄCZANIE GŁOWICY UNIWERSALNEJ” w instrukcji do głowicy uniwersalnej PH1400E.

REGULACJA DŁUGOŚCI ŻYŁKI TNĄCEJ

Głowica-uderzak pozwala operatorowi wysuwać więcej żyłki tnącej bez wyłączenia silnika. W miarę jak żyłka strzępi się i zużywa, dodatkową żyłkę można wysunąć lekkim uderzeniem głowicą podkaszarki w ziemię w czasie, gdy podkaszarka pracuje (Rys. E).

UWAGA: Im krótsza żyłka, tym trudniejsze staje się jej wysuwanie.

⚠ OSTRZEŻENIE: Nie należy demontować lub przerabiać zespołu ostrza do żyłki. Zbyt długa żyłka prowadzi do przegrzewania się silnika i może spowodować poważne urazy ciała.

WYMIANA ŻYŁKI

UWAGA: Należy zawsze używać nylonowej żyłki tnącej zalecanego typu, o średnicy nieprzekraczającej 2,4 mm. Używanie żyłki innego typu może prowadzić do przegrzewania się podkaszarki i spowodować jej uszkodzenie.

⚠ OSTRZEŻENIE: Nigdy nie należy używać żyłek wzmocnionych metalem, drutów, sznurków itp. Mogą się one ułamać i zmienić w niebezpieczne pociski.

1. Wyjąć akumulator
2. Jeśli jest to konieczne, wyjąć pozostałą żyłkę tnącą. Wystarczy po prostu pociągnąć ją ręką.
3. Przyciąć żyłkę na długość 4 m, tj. Włożyć żyłkę do otworu mocującego w środku przelotki (Rys. F). Wcisnąć żyłkę i wyciągnąć ją z drugiej strony, tak aby po obu stronach szpulki znajdowało się tyle samo żyłki.
4. Obracać osłonę mocującą szpuli w kierunku zaznaczonym strzałką i naciskając ją, aby nawinąć żyłkę na szpulę tak, aby po obu stronach widać było około 14 cm żyłki (Rys. G).
5. Nacisnąć osłonę mocującą szpuli w dół i jednocześnie pociągnąć żyłki, aby je ręcznie wysunąć, sprawdzić prawidłowe złożenie głowicy podkaszarki.

Gdy żyłka tnąca urwie się na wylocie żyłki lub gdy żyłka tnąca nie wysuwa się z głowicy podkaszarki pod wpływem uderzenia głowicą w podłoże, należy wykonać następujące kroki:

1. Wyjąć akumulator.
2. Wcisnąć zaczepy odblokowujące w osłonie mocującej szpuli i zdjąć osłonę (Rys. H i I).
3. Wyjąć żyłkę tnącą z osłony mocującej szpuli.
4. Jedną ręką przytrzymać podstawę szpuli, a drugą chwycić osłonę mocującą szpuli i dopasować zaczepy w osłonie szpuli do otworów w podstawie szpuli (Rys. J). Środkiem dłoni docisnąć i obrócić osłonę mocującą szpuli w lewo i w prawo, aż zaczepy zablokują się w podstawie szpuli (Rys. K).
5. Wykonać instrukcje podane w części „WYMIANA ŻYŁKI”, aby ponownie założyć żyłkę tnącą.

Jeśli urządzenie ma służyć jako kosa do zarośli, należy wykonać kroki pokazane na Rys. L i M w celu zdemontowania głowicy podkaszarki.

KONSERWACJA

⚠ OSTRZEŻENIE: Przed kontrolą, czyszczeniem lub serwisowaniem urządzenia należy wyłączyć silnik, odczekać aż wszystkie poruszające części zatrzymają się i wyjąć akumulator. Niezastosowanie się do powyższych instrukcji może doprowadzić do poważnych obrażeń ciała lub do uszkodzenia mienia.

⚠ OSTRZEŻENIE: Podczas serwisowania należy używać wyłącznie części zamiennych identycznych z oryginalnymi. Używanie jakichkolwiek innych części stwarza ryzyko i może spowodować usterkę produktu. Aby zagwarantować bezpieczeństwo i niezawodność, wszystkie naprawy części innych niż wymienione w niniejszej instrukcji powinny być wykonywane przez wykwalifikowanych techników serwisu.

KONSERWACJA OGÓLNA

Podczas czyszczenia części plastikowych należy unikać używania rozpuszczalników. Pod wpływem kontaktu z różnego rodzaju rozpuszczalnikami dostępnymi w handlu większość tworzyw może ulec uszkodzeniu. Do usuwania zabrudzeń, kurzu, oleju, smaru itp. należy używać czystych ściereczek.

CZYSZCZENIE URZĄDZENIA

- Usunąć trawę, która mogła się owinąć wokół wałka silnika lub wokół głowicy podkaszarki.
- Do czyszczenia otworów wentylacyjnych z tylnej części obudowy należy używać małej szczoteczki lub małego odkurzacza.
- Wyrób należy czyścić wilgotną ściereczką i łagodnym detergentem.
- Do czyszczenia części plastikowych lub uchwytu nie należy używać jakichkolwiek silnych detergentów. Mogą one zostać uszkodzone przez niektóre olejki aromatyczne, takie jak olejek sosnowy i cytrynowy oraz przez rozpuszczalniki takie jak nafta. Wilgoć może także spowodować porażenie prądem. Wszelką wilgoć należy wycierać miękką suchą ściereczką.

SMAROWANIE PRZEKŁADNI TRANSMISYJNEJ

Przekładnia transmisyjna wymaga okresowego smarowania smarem do przekładni. Co 50 godzin pracy, należy kontrolować stan smaru w obudowie przekładni: w tym celu należy zdjąć śrubę uszczelniającą z boku obudowy.

Jeśli po bokach przekładni nie widać w ogół smaru, należy wykonać kroki podane poniżej w celu napełnienia obudowy smarem do 3/4 pojemności.

Przekładni transmisyjnej nie należy całkowicie napełniać.

1. Położyć podkaszarkę na boku tak, aby śruba uszczelniająca była skierowana do góry.

2. Kluczem wielofunkcyjnym odkręcić i zdjąć śrubę uszczelniającą.
3. Użyć strzykawki olejowej (do dokupienia osobno), aby wstrzyknąć odrobinę smaru w otwór na śrubę; nie przekraczać 3/4 pojemności.
4. Po wstrzyknięciu smaru dokręcić śrubę uszczelniającą.

PRZECHOWYWANIE URZĄDZENIA

- Wyjąć akumulator z podkaszarki.
- Przed schowaniem narzędzie należy dokładnie wyczyścić.
- Jeśli końcówka-podkaszarka na żyłkę ma być wyjęta z głowicy uniwersalnej i przechowywana osobno, należy założyć zaślepkę na wałek końcówki, aby nie dopuścić do zbierania się na łączówce brudu.
- Urządzenie należy przechowywać w suchym i przewiewnym miejscu niedostępnym dla dzieci: albo pod kluczem, albo wystarczająco wysoko. Urządzenia nie należy używać na nawozach lub w ich pobliżu, to samo dotyczy podłoży zanieczyszczonych benzyną i substancjami chemicznymi.

Ochrona środowiska



Urządzeń elektrycznych, ładowarki do akumulatorów oraz akumulatorów/baterii akumulatorowych nie należy wyrzucać do zwykłych zmieszanych śmieci domowych!

Zgodnie z dyrektywami Wspólnoty Europejskiej, odpowiednio nr 2012/19/WE i 2006/66/WE, urządzenia elektryczne i elektroniczne nienadające się dłużej do użycia oraz uszkodzone lub zużyte akumulatory/baterie trzeba zbierać oddzielnie.

Wyrzucanie urządzeń elektrycznych na wysypisko grozi wyciekami niebezpiecznych substancji do wód gruntowych i przedostaniem się ich do łańcucha pokarmowego, ze szkodą dla zdrowia i jakości życia użytkownika.

ROZWIĄZYWANIE PROBLEMÓW

PROBLEM	PRZYCZYNA	ROZWIĄZANIE
Podkaszarka nie włącza się.	<ul style="list-style-type: none"> ■ Akumulator nie jest podłączony do głowicy. ■ Głowica uniwersalna i akumulator nie kontaktują. ■ Akumulator jest rozładowany. ■ Dźwignia odblokowująca i przełącznik spustowy nie zostały wciśnięte jednocześnie. 	<ul style="list-style-type: none"> ■ Włożyć akumulator do głowicy. ■ Wyjąć akumulator, sprawdzić styki i założyć akumulator z powrotem aż do oporu. ■ Naładować akumulator jedną z ładowarek EGO podanych w niniejszym podręczniku. ■ Aby włączyć podkaszarkę, należy wcisnąć i przytrzymać dźwignię odblokowującą, a następnie nacisnąć przełącznik spustowy.
Podkaszarka wyłącza się podczas koszenia.	<ul style="list-style-type: none"> ■ Na podkaszarce nie ma zamontowanej osłony, przez co żyłka jest za długa i dochodzi do przeciążenia silnika. ■ Używana jest ciężka żyłka. ■ Wałek silnika lub głowica podkaszarki są zapchane trawą. ■ Silnik jest przeciążony. ■ Akumulator lub podkaszarka jest zbyt gorący/-a. ■ Akumulator jest odłączony od narzędzia. ■ Akumulator jest rozładowany. 	<ul style="list-style-type: none"> ■ Wyjąć akumulator i zamocować osłonę w podkaszarce. ■ Używać zalecanej nylonowej żyłki tnącej o średnicy nie większej niż 2,4 mm . ■ Zatrzymać podkaszarkę, wyjąć akumulator i usunąć trawę z wałka silnika i głowicy podkaszarki. ■ Wyjąć głowicę podkaszarki z trawy. Gdy tylko obciążenie zostanie usunięte, silnik wznowi pracę. Podczas koszenia przesuwaj głowicę podkaszarki w koszoną trawę i wysuwaj ją z niej, nie więcej niż o 20 cm długości w jednym cięciu. ■ Pozwolić, aby akumulator lub podkaszarka ostygły do temperatury poniżej 67°C . ■ Ponownie założyć akumulator. ■ Naładować akumulator jedną z ładowarek EGO podanych w niniejszym podręczniku.

PL

PROBLEM	PRZYCZYNA	ROZWIĄZANIE
Głowica podkaszarki nie wysuwa żyłki.	<ul style="list-style-type: none"> ■ Wałek silnika lub głowica podkaszarki są zapchane trawą. ■ W szpuli jest za mało żyłki. ■ Głowica podkaszarki jest zabrudzona. ■ Żyłka w osłonie mocującej szpuli poplątała się. ■ Żyłka jest za krótka. 	<ul style="list-style-type: none"> ■ Zatrzymać podkaszarkę, wyjąć akumulator i usunąć trawę z wałka silnika i głowicy podkaszarki. ■ Wyjąć akumulator i wymienić żyłkę tnącą; patrz część „WYMIANA ŻYŁKI” w niniejszej instrukcji. ■ Wyjąć akumulator i wyczyścić szpulę, osłonę mocującą szpulę i podstawę szpuli. ■ Wyjąć akumulator, wyjąć żyłkę ze szpuli i przewinąć; patrz część „WYMIANA ŻYŁKI” w niniejszej instrukcji. ■ Wyjąć akumulator i pociągnąć żyłki, a jednocześnie na przemian wciskać i puszczać uderzak.
Trawa owija się wokół głowicy podkaszarki i obudowy silnika.	<ul style="list-style-type: none"> ■ Koszenie wysokiej trawy tuż przy ziemi. 	<ul style="list-style-type: none"> ■ Wysoką trawę kosić od góry ku dołowi, za jednym razem skracać zdźbła nie więcej niż o 20 cm, aby nie dopuścić do owijania się trawy wokół głowicy.
Ostrze nie docina żyłki tnącej.	<ul style="list-style-type: none"> ■ Ostrze do żyłki tnącej na krawędzi osłony stępilo się. 	<ul style="list-style-type: none"> ■ Naostrzyć pilnikiem ostrze do przycinania żyłki tnącej lub wymienić je na nowe.e.
Pęknięcia na głowicy podkaszarki lub osłona mocująca szpuli odczepia się od podstawy szpuli.	<ul style="list-style-type: none"> ■ Głowica podkaszarki jest zużyta. 	<ul style="list-style-type: none"> ■ Natychmiast wymienić głowicę podkaszarki; postępować zgodnie z częścią „WYMIANA GŁOWICY PODKASZARKI” w niniejszej instrukcji.
W czasie wymiany żyłki nie da się prawidłowo włożyć żyłki do głowicy podkaszarki.	<ul style="list-style-type: none"> ■ Żyłki założone do osłony mocującej szpuli nie pasują do oczek w podstawie szpuli. ■ Żyłka nie jest prawidłowo włożona do otworu mocującego w oczku. 	<ul style="list-style-type: none"> ■ Obrócić osłonę mocującą szpuli w kierunku zaznaczonym strzałką, tak aby dopasować założone w osłonie szpuli żyłki (LOAD) do otworów w podstawie szpuli. ■ Najpierw dopasować założone żyłki do oczek, a potem włożyć żyłkę do otworu mocującego w środku oczka.

GWARANCJA

POLITYKA GWARANCYJNA EGO

W celu zapoznania się z wszystkimi warunkami polityki gwarancyjnej EGO prosimy odwiedzić stronę egopowerplus.com.

PŘEČTĚTE SI VŠECHNY POKYNY!



PŘEČTĚTE SI NÁVOD K OBSLUZE

⚠ Zbytkové riziko! Lidé s elektronickými přístroji, jako jsou např. kardiostimulátory, by se měli před použitím toho výrobku poradit se svým lékařem. Použití elektrického zařízení v těsné blízkosti kardiostimulátoru může způsobit narušení činnosti nebo poruchu kardiostimulátoru.

⚠ VAROVÁNÍ: Z důvodu bezpečnosti by měl všechny opravy a výměny provádět kvalifikovaný servisní technik.

BEZPEČNOSTNÍ SYMBOLY

Účelem bezpečnostních symbolů je upoutat vaši pozornost k případným nebezpečím. Bezpečnostní symboly a jejich vysvětlení vyžadují vaši zvýšenou pozornost a porozumění. Výstražné symboly samy o sobě nevyklučují žádné nebezpečí. Pokyny a varování nejsou náhradou vhodných opatření pro prevenci úrazů.

CZ

⚠ VAROVÁNÍ: Před použitím tohoto nástroje si přečtěte a seznáme se se všemi bezpečnostními pokyny v tomto návodu k obsluze včetně veškerých výstražných symbolů jako např. „**NEBEZPEČÍ**“, „**VAROVÁNÍ**“ a „**UPOZORNĚNÍ**“. Nedodržení níže uvedených pokynů může mít za následek úraz elektrickým proudem, požár anebo vážná poranění osob.

VÝZNAM SYMBOLŮ

⚠ BEZPEČNOSTNÍ VÝSTRAŽNÝ SYMBOL: Označuje **NEBEZPEČÍ**, **VAROVÁNÍ** nebo **UPOZORNĚNÍ**, který může být použit ve spojení s jinými symboly nebo piktogramy.



⚠ VAROVÁNÍ: Při použití elektrického nářadí může dojít k vymrštění cizích těles do očí, což může způsobit jejich závažné poranění. Před použitím elektrického nářadí si vždy nasadte ochranné brýle, ochranné brýle s bočními kryty nebo v případě potřeby obličejový štít. Na brýle nebo standardní ochranné brýle s bočními kryty doporučujeme použít ochrannou masku.

BEZPEČNOSTNÍ POKYNY

Na této stránce jsou zobrazeny a popsány bezpečnostní symboly, které se mohou objevit na výrobku. Před montáží a provozem si přečtěte, seznáme se a dodržujte veškeré pokyny ke stroji.

	Bezpečnostní upozornění	Upozorňuje na možné riziko úrazu.
	Přečtěte si návod k obsluze	Z důvodu snížení rizika úrazu si musí uživatel před použitím tohoto výrobku přečíst a seznámit se s návodem k obsluze.
	Použijte ochranu očí	Vždy noste ochranné brýle, ochranné brýle s bočními kryty nebo obličejový štít při použití tohoto výrobku.
	Použijte ochranu sluchu.	Vždy používejte ochranu sluchu (špunty do uší nebo sluchátka), která chrání váš sluch.
	Použijte ochranu hlavy.	K ochraně hlavy používejte schválenou pevnou ochrannou přilbu.
	Použijte ochranné rukavice.	Chraňte své ruce rukavicemi při manipulaci s čepelí nebo chráničem čepelí. Odolné protiskluzové rukavice zlepšují váš úchop a chrání ruce.
	Použijte ochrannou obuv.	Při použití tohoto zařízení noste protiskluzovou bezpečnostní obuv.
	Šířka sekání	Max. šířka sekání strunové sekačky
	Průměr struny	Průměr nylonové žací struny
	Bez kulaté čepelí	Neinstalujte kulaté řezací čepelí.
	Udržujte ostatní osoby v bezpečné vzdálenosti	Když strunovou sekačku používáte, udržujte od ostatních osob a domácích zvířat bezpečnou vzdálenost aspoň 15 m.

	Udržujte ostatní osoby v bezpečné vzdálenosti	Když strunovou sekačku používáte, udržujte od ostatních osob a domácích zvířat bezpečnou vzdálenost aspoň 15 m.
	Nevystavujte ji dešti.	Nepoužívejte ani nenechávejte venku v dešti.
	CE	Tento výrobek je v souladu s platnými směnicemi ES.
	WEEE	Odpadní elektrické výrobky se nesmí likvidovat s domovním odpadem. Odevzdejte do autorizovaného recyklačního střediska.
	Hluk	Garantovaná hladina akustického výkonu. Emise hluku do prostředí dle direktivy Evropského společenství.
V	Voltů	Napětí
mm	Milimetr	Délka nebo velikost
cm	Centimetr	Délka nebo velikost
kg	Kilogram	Hmotnost

OBECNÁ BEZPEČNOSTNÍ VAROVÁNÍ PRO PRÁCI S ELEKTRICKÝM NÁŘADÍM

VAROVÁNÍ: Přečtěte si všechny bezpečnostní výstrahy, pokyny, ilustrace a technické údaje dodané s tímto elektrickým nářadím. Nedodržení všech níže uvedených pokynů může vést k úrazu elektrickým proudem, požáru a / nebo vážnému úrazu!

Všechna varování a pokyny si uschovejte pro budoucí použití.

Termín „elektrické nářadí“ ve varováních odkazuje na vaše elektrické (s kabelem) nebo akumulátorové (bez kabelu) elektrické nářadí.

BEZPEČNOST NA PRACOVIŠTI

- Udržujte pracovní prostor v čistotě a dobře osvětlený. Nepořádek nebo neosvětlené pracovní

oblasti mohou vést k úrazům.

- **Nepracujte s elektrickým nářadím ve výbušném prostředí, například v přítomnosti hořlavých kapalin, plynů nebo prachu.** Elektrické nářadí je zdrojem jiskření, které může zapálit prach nebo výpary.
- **Při práci s elektrickým nářadím udržujte děti a přihlízející osoby v bezpečné vzdálenosti.** Nesoustředěnost může způsobit ztrátu kontroly.

BEZPEČNOST OSOB

- **Zůstaňte stále pozorní, sledujte, co děláte a používejte zdravý rozum při práci s elektrickým nářadím. Nepoužívejte elektrické nářadí, jste-li unaveni nebo pod vlivem drog, alkoholu nebo léků.** Jediná chvilka nepozornosti při práci s elektrickým nářadím může mít za následek vážný úraz.
- **Používejte osobní ochranné pracovní prostředky.** Vždy použijte ochranu očí. Ochranné pomůcky, jako např. respirátor, protiskluzová bezpečnostní obuv, pevná přilba nebo chrániče sluchu používané ve vhodném prostředí snižují riziko úrazu.
- **Zabraňte náhodnému spuštění. Před připojením ke zdroji napětí a/nebo akumulátoru, zvednutím nebo přenášením nářadí se ujistěte, že spínač je ve vypnuté poloze.** Přenášení elektrického nářadí s prstem na spínači, nebo zapojování elektrického nářadí, které má zapnutý spínač, může snadno způsobit nehodu či úraz.
- **Před zapnutím elektrického nářadí odstraňte seřizovací klíče nebo klíče.** Nástroj nebo klíč, který ponecháte připevněn k otáčející se části elektrického nářadí, může způsobit osobní zranění.
- **Nepřeceňujte se. Vždy udržujte pevný postoj a rovnováhu.** To umožňuje lepší ovladatelnost nářadí v neočekávaných situacích.
- **Vhodně se oblékejte. Nenoste volný oděv ani šperky. Udržujte své vlasy, oblečení a rukavice mimo dosah pohybujících se částí.** Volný oděv, šperky nebo dlouhé vlasy se mohou zachytit do pohybujících se dílů.
- **Pokud je zařízení vybaveno adaptérem pro připojení odsávání prachu a sběrnými zařízeními, zajistěte jejich správné připojení a řádnou funkci.** Použití zařízení k odsávání prachu může snížit rizika spojená s prachem.
- **Nedovoďte, abyste se po získání zkušeností častým používáním nástrojů stali neobezřetnými a ignorovali zásady bezpečnosti.** Nedbalá činnost může způsobit vážné zranění za zlomek sekundy.

GZ

POUŽITÍ A PÉČE O ELEKTRICKÉ NÁŘADÍ

- **Netlačte příliš na nářadí. Používejte správný typ nářadí pro vaši aplikaci.** Správné elektrické nářadí bude pracovat lépe a bezpečněji rychlostí, pro kterou bylo navrženo.
- **Nepoužívejte nářadí, pokud ho spínač nezapne a nevypne.** Jakékoliv elektrické nářadí, které nelze ovládat spínačem, je nebezpečné a musí být opraveno.
- **Uložte elektrické nářadí mimo dosah dětí a nedovolte ostatním osobám, které nejsou seznámeny s elektrickým nářadím nebo s tímto návodem, aby s nářadím pracovali.** Elektrické nářadí se v rukou ne kvalifikovaných osob stává nebezpečným.
- **Udržujte elektrické nářadí a příslušenství.** Zkontrolujte vychýlení či zaseknutí pohyblivých částí, poškození jednotlivých dílů a jiné okolnosti, které mohou ovlivnit chod nářadí. Je-li nářadí poškozeno, nechejte ho před použitím opravit. Mnoho nehod je způsobeno nedostatečnou údržbou nářadí.
- **Udržujte řezné nástroje ostré a čisté.** Řádně udržované řezné nástroje s ostrými řeznými břity jsou méně náchylné k zanášení nečistotami a lépe se ovládají.
- **Používejte elektrické nářadí, příslušenství a nástrojové bity atd. v souladu s těmito pokyny s přihlédnutím k pracovním podmínkám a práci, která má být provedena.** Používání elektrického nářadí k činnostem, pro které není určeno, může vést k nebezpečným situacím.
- **Udržujte rukojeti a uchopovací plochy suché, čisté, bez oleje a maziva.** Kluzké držadla a uchopovací plochy neumožňují bezpečnou manipulaci s nástrojem a jeho ovládání v nečekaných situacích.
- **Udržujte kabely mimo pracovní oblast nářadí.** Během provozu nemusí být kabely vidět a mohou být nářadím náhodně poškozeny.

POUŽITÍ A PÉČE O AKUMULÁTOROVÉ NÁŘADÍ

- **Nabíjejte pouze v nabíječe určené výrobcem.** Nabíječka vhodná pro jeden typ akumulátoru může způsobit riziko požáru při použití s jiným akumulátorem.
- **Používejte elektrické nářadí pouze s výslovně určenými akumulátory.** Použití jiných akumulátorů může způsobit riziko úrazu a požáru.
- **Pokud akumulátor nepoužíváte, držte jej z dosahu kovových předmětů, jako jsou kancelářské sponky na papír, mince, klíče, hřebíky, šroubky nebo další drobné kovové předměty, které mohou spojit vývody baterie navzájem.** Zkratování kontaktů baterie může způsobit spálení nebo požár.

- **V nevhodných podmínkách může kapalina unikat z baterie. Zabraňte kontaktu.** Při náhodném kontaktu opláchněte vodou. Při zasažení očí kapalinou vyhledejte lékařskou pomoc. Unikající kapalina z akumulátoru může způsobit podráždění pokožky nebo popáleniny.
- **Nepoužívejte akumulátor nebo nástroj, který je poškozen nebo upraven.** Poškozené nebo upravené baterie mohou mít nepředvídatelné chování, které může vést k požáru, výbuchu nebo nebezpečí zranění.
- **Nevystavujte akumulátor ani nástroj ohni nebo nadměrné teplotě.** Při vystavení ohni nebo teplotě nad 100 °C může dojít k výbuchu.
- **Dodržujte všechny pokyny pro nabíjení a nenabíjejte baterii nebo nástroj mimo rozsah teplot uvedených v pokynech.** Nesprávné nabíjení nebo při teplotách mimo stanovený rozsah může poškodit akumulátor a zvýšit riziko požáru.

SERVIS

- **Svěťte opravu vašeho elektrického nářadí kvalifikované osobě používající pouze shodné náhradní díly.** Tím zajistíte bezpečnost elektrického nářadí.
- **Nikdy neopravujte poškozené akumulátory.** Servis akumulátorů smí provádět pouze výrobce nebo autorizovaní poskytovatelé služeb.

VAROVÁNÍ: Přečtěte si všechny bezpečnostní výstrahy, pokyny, ilustrace a technické údaje dodané s tímto elektrickým nářadím. Nedodržení všech níže uvedených pokynů může vést k úrazu elektrickým proudem, požáru a/nebo vážnému úrazu. Všechna varování a pokyny si uschovejte pro budoucí použití.

Všechna varování a pokyny si uschovejte pro budoucí použití.

ŠKOLENÍ

- Pečlivě si přečtěte tyto pokyny. Seznamte se s ovládacími prvky a správným použitím stroje.
- Osoby nebo děti, které se neseznámily s těmito pokyny, nesmí zařízení používat. Místní předpisy mohou omezovat věk obsluhy.
- Nezapomínejte, že obsluha nebo uživatel je zodpovědný za nehody nebo ohrožení jiných osob nebo jejich majetku.

PŘÍPRAVA

- Stroj nikdy nepoužívejte, pokud jsou v blízkosti osoby, zejména děti, nebo domácí zvířata.
- Při práci se strojem vždy používejte ochranu očí a noste pevnou obuv.

- Vzdálenost mezi strojem a ostatními osobami nesmí být menší než 15 m.
- Nikdy neprovozujte stroj, pokud jste unaveni, nemocní nebo pod vlivem alkoholu nebo jiných drog.

OBSLUHA

- Stroj používejte pouze za denního světla nebo při dobrém umělém osvětlení.
- Nikdy stroj nepoužívejte, pokud jsou poškozené kryty nebo štíty, nebo když nejsou instalované.
- Motor zapněte pouze v případě, že jsou ruce a nohy v bezpečné vzdálenosti od řezacího nástroje.
- Stroj vždy odpojte od zdroje napájení (tj. vyjměte akumulátor).
 - kdykoliv je stroj bez dozoru;
 - před odstraněním překážky;
 - před kontrolou, čištěním nebo prací na stroji.
 - po nárazu do cizího tělesa;
 - vždy, když začne stroj abnormálně vibrovat.
- Dávejte pozor na poranění nohou a rukou řezným nástrojem.
- Dbejte, aby větrací otvory byly vždy udržovány v čistotě.

ÚDRŽBA A SKLADOVÁNÍ

- Před provedením údržby nebo čištění stroj vždy odpojte od elektrické sítě (tj. vyjměte akumulátor).
- Používejte pouze náhradní díly a příslušenství doporučené výrobcem.
- Pravidelně stroj kontrolujte a udržujte. Opravu stroje svěřte pouze autorizovanému opraváři.
- Pokud se nepoužívá, skladujte stroj mimo dosah dětí.

DALŠÍ BEZPEČNOSTNÍ VAROVÁNÍ

- **Vyhnete se nebezpečným prostředím** – Nepoužívejte přístroje ve vlhkém nebo mokřem prostředí.
- **Veškeré kryty musejí být instalovány na příslušných místech a musejí být v dobrém stavu.**
- **Udržujte ruce a nohy v bezpečné vzdálenosti od řezacího prostoru.**
- Pro snížení rizika úrazu nikdy nepracujte na žebříku nebo jiné nestabilní podpoře. Nikdy nedržte řezací jednotku nad úroveň pasu.
- **Řezací jednotku kontrolujte v pravidelných intervalech při práci, nebo okamžitě v případě zjevné změny v chodu řezání.**
- Pro dosažení nejlepších výsledků baterii nabíjejte na místě, kde je teplota vyšší než 5 ° C a nižší než 40 ° C. Neskładujte ji ve vnějším prostředí ani ve vozidlech.
- Pokud se k vám někdo blíží, okamžitě vypněte motor a

řezací jednotku.

- **Upozorníte obsluhu na nebezpečí zpětného rázu čepole (pouze u 3-zubé čepole).**
 - Ke zpětnému rázu může dojít při kontaktu otáčejícího se ostří s objektem, který není okamžitě přerušný.
 - Zpětný ráz může být dost silný, aby způsobil pohyb přístroje a/nebo provozovatele v libovolném směru a může taky vést ke ztrátě kontroly nad přístrojem.
 - Ke zpětnému rázu může dojít bez varování, jestliže se čepel zadrhne, zastaví nebo zasekne.
 - Zpětný ráz je pravděpodobnější v oblastech, kde je obtížné vidět řezaný materiál.
- **Nepřipojte žádnou čepel na přístroj bez řádné instalace všech potřebných dílů. Pokud se nepoužijí správné díly, může dojít k odletění čepole a vážnému poranění obsluhy a/nebo kolemjdoucích. Vyhodte čepole, které jsou ohnuté, zdeformované, popraskané, rozbité nebo jinak jakkoli poškozené. Používejte ostré čepole. Tupá čepel se více pravděpodobně zachytí a provede zpětný ráz (pouze u 3-zubé čepole).**
- **Volnoběžná čepel/struna může způsobit zranění, když se dále otáčí potom, co je motor zastaven nebo spouštěč uvolněn. Dodržujte řádnou kontrolu, dokud čepel/struna zcela nezastaví svoje otáčení.**
- **Akumulátorové nářadí se nemusí zapojovat do elektrické zásuvky, proto jsou vždy v provozním stavu. Nezapomínejte na možná rizika ani v případě, že je nářadí vypnuté. Dávejte pozor při provádění údržby nebo opravy.**
- **Nemyjte hadici; dbejte, aby se do motoru a elektrických přípojek nedostala voda.**
- **Pokud nastane situace, která není popsána v tomto návodu, použijte pečlivý a zdravý úsudek. Obráťte se na zákaznické servisní středisko EGO se žádostí o pomoc.**
- **Používejte pouze akumulátory a nabíječky uvedené na obr. A.**

TYTO POKYNY USCHOVEJTE PRO BUDOUCÍ POUŽITÍ!

GZ

SPECIFIKACE

Žací mechanismus	Strunová hlava	
Průměr struny	2,4 mm nylonová skroucená struna	
Šířka sekání	38 cm	
Rychlost při chodu naprázdno	5000/6000 min ⁻¹	
Hmotnost nůžek (bez akumulátoru)	1,59 kg	
Doporučovaná provozní teplota	0°C-40°C	
Doporučovaná teplota skladování	-20°C-70°C	
Měřená hladina akustického výkonu L _{WA}	94,6 dB(A) K=1,80 dB(A)	
Hladina akustického tlaku na sluch obsluhy L _{PA}	83,2 dB(A) K=3 dB(A)	
Zaručená úroveň akustického výkonu L _{WA} (měřeno podle směrnice 2000/14/ES)	96 dB(A)	
Vibrace a _h	Přední pomocná rukojeť	1,1 m/s ² K=1,5 m/s ²
	Zadní rukojeť	1,4 m/s ² K=1,5 m/s ²

CZ

- Výše uvedené parametry jsou testovány a měřeny s nástrojem vybaveným pohonnou hlavou PH1400E.
- Celková deklarovaná hodnota vibrací byla naměřena podle standardní zkušební metody a lze ji použít ke srovnání s jiným nářadím;
- Celkovou deklarovanou hodnotu vibrací lze použít také k předběžnému stanovení expozičních limitů.

POZNÁMKA: Emise vibrací při konkrétním použití elektrického nářadí se mohou lišit od deklarované hodnoty, při které se nářadí používá; z důvodu ochrany provozovatele by měl uživatel ve skutečných pracovních podmínkách nosit rukavice a chrániče sluchu.

OBSAH BALENÍ

NÁZEV DÍLU	MNOŽSTVÍ
Nástavec pro strunovou sekačku	1
Kryt	1
Šestihřanný klíč	1
Multifunkční klíč	1
Návod k obsluze	1

Informace o doporučené řezací struně naleznete na webových stránkách egopowerplus.com nebo nahlédněte do katalogu výrobků EGO.

POPIS

SEZNAMTE S NÁSTAVCEM PRO STRUNOVOU SEKAČKU (obr. A)

1. Koncovka
2. Hřidel strunové sekačky
3. Řezací struna
4. Hlava sekačky (strunová hlava)
5. Uvolňovací západka
6. Vyžínací kotouč
7. Kryt
8. Imbusový klíč
9. Multifunkční klíč

VAROVÁNÍ: Nářadí nikdy nepoužívejte bez řádně nainstalovaného chrániče. Chránič musí být vždy na nářadí z důvodu ochrany uživatele.

MONTÁŽ

VAROVÁNÍ: Pokud jsou některé díly poškozené, nebo chybí, nepoužívejte výrobek, dokud se díly nevymění. Použití tohoto výrobku s poškozenými nebo chybějícími díly může vést k vážnému úrazu.

VAROVÁNÍ: Nepokoušejte se výrobek upravovat ani vytvářet příslušenství, které se k této strunové sekačce nedoporučuje. Každá taková změna nebo úprava je nesprávná a může vést k nebezpečné situaci, která může zapříčinit vážný úraz.

VAROVÁNÍ: Nepřipojujte pohonnou hlavu před dokončením sestavení. Nedodržení tohoto pokynu může vést k náhodnému startu a možnému vážnému poranění.

MONTÁŽ KRYTU

VAROVÁNÍ: Při montáži nebo výměně krytu vždy používejte rukavice. Dávejte pozor na ostří na chrániči a chraňte svoje ruce před poraněním ostřím.

Uvolněte a vyšroubujte dva šrouby ze spodní části hřídele (obr. C); srovnajte upevňovací otvory krytu s montážními otvory a upevněte kryt ke spodní části hřídele s pomocí dvou šroubů a dvou pružinových podložek (obr. D).

Zkontrolujte, zda je kryt upevněn podle obr. C a D, obrácené upevnění představuje vysoké riziko!

PŘIPOJENÍ NÁSTAVCE PRO STRUNOVOU SEKAČKU NA POHONNOU HLAVU

Tento nástavec pro strunovou sekačku je určen pro použití s pohonnou hlavou EGO PH1400E.

Viz část „**INSTALACE NÁSTAVCE NA POHONNOU HLAVU**“ v příručce pro obsluhu pohonné hlavy PH1400E.

POUŽITÍ

VAROVÁNÍ: Dbejte, abyste se po seznámení s výrobkem nestali neopatrní. Nezapomínejte, že stačí chvíle nepozornosti a může se stát vážný úraz.

VAROVÁNÍ: Vždy používejte ochranu zraku spolu s chrániči sluchu. Pokud tak neučiníte, může dojít k vymrštění předmětu do očí, nebo případně jiným vážným úrazům.

APLIKACE

Výrobek lze použít k následujícím účelům:

- Osekávání trávy a plevele kolem přístřešků, plotů a palub

POZNÁMKA: Nářadí se smí používat pouze k vyhrazenému účelu. Jakékoliv jiné použití se považuje za nesprávné.

Před každým použitím zkontrolujte poškozené/ opotřebené díly

Zkontrolujte strunovou hlavu, kryt, přední pomocnou rukojeť a vyměňte díly, které jsou prasklé, zdeformované, ohnuté nebo jinak poškozené.

Vyžínací kotouč na okraji krytu se může časem ztupit. Doporučujeme vyžínací kotouč pravidelně brousit pilníkem, nebo jej vyměnit za nový.

VAROVÁNÍ: Při montáži nebo výměně chrániče, broušení nebo výměně kotouče vždy používejte rukavice. Pozor na ostří na chrániči a chraňte si ruce před poraněním.

VAROVÁNÍ: Před servisem, čištěním, výměnou nástavců nebo odstraněním materiálu vyjměte akumulátor z pohonné hlavy, aby nedošlo k vážnému úrazu.

POUŽITÍ STRUNOVÉ SEKAČKY S POHONNOU HLAVOU

VAROVÁNÍ: Pro práci s tímto nářadím se vhodně oblékněte, abyste snížili riziko úrazu. Nenoste volný oděv ani šperky. Používejte ochranu očí a chrániče sluchu.

Noste odolné, dlouhé kalhoty, pevné boty a rukavice. Nenoste krátké kalhoty, sandály ani nechoďte bosí.

VAROVÁNÍ: Před každým použitím vyčistěte prostor, kde budete stříhat. Odstraňte veškeré předměty, jako jsou např. kameny, rozbité sklo, hřebíky, dráty nebo provazy, které mohou být vrženy, nebo se mohou do žacího nástavce zaplést. Z prostoru vyžeňte děti, ostatní osoby a domácí zvířata. Minimální bezpečná vzdálenost pro děti, ostatní osoby a domácí zvířata je 15 m; stále však hrozí riziko zasažení ostatních osob vymrštěnými předměty. Ostatním osobám doporučuje použití ochrany očí. Pokud se k vám někdo blíží, okamžitě vypněte motor a žací nástavec.

Pro bezpečnější a lepší používání si dejte ramenní popruh přes rameno. Upravte ramenní popruh do pohodlné pracovní polohy. Vždy držte strunovou sekačku jednou rukou za zadní rukojeť a druhou rukou za přední rukojeť. Udržujte pevný úchop oběma rukama při provozu. Strunová sekačka by se měla držet v pohodlné poloze se zadní rukojetí ve výšce kyčelního kloubu. Strunová hlava musí být rovnoběžná se zemí tak, aby se lehce dotýkala řezaného materiálu, aniž by se operátor musel ohýbat (obr. B).

VAROVÁNÍ: Ramenní popruh je vybaven rychle vypínacím mechanismem pro nebezpečné situace. Dojde-li k nouzové situaci, okamžitě si odepněte popruh ze svého ramene bez ohledu na to, jakým způsobem je popruh připevněn.

Po každém použití sekačku vyčistěte.

Viz část ÚDRŽBA pro pokyny k čištění.

ZAPNUTÍ/VYPNUTÍ NÁSTROJE

Viz část „**ZAPNUTÍ/VYPNUTÍ POHONNÉ HLAVY**“ v příručce pro obsluhu pohonné hlavy PH1400E.

NASTAVENÍ DÉLKY ŽACÍ STRUNY

Strunová hlava umožňuje obsluhu více vysunout žací strunu bez zastavení motoru. Když se struna roztřepí nebo rozedře, lze během práce se sekačkou vysunout další část struny lehkým poklepáním hlavy sekačky o zem (obr. E).

POZNÁMKA: Vysouvání struny se stává obtížnějším se zkracováním žací struny.

VAROVÁNÍ: Nevýjimejte ani neupravujte sestavu vyžínacího kotouče. Nadměrná délka struny způsobí přehřátí motoru, což může vést k vážnému úrazu.

VÝMĚNA STRUNY

GZ

POZNÁMKA: Vždy používejte doporučenou nylonovou strunu s průměrem, který nepřesahuje 2,4 mm. Použití jiné struny, než je uvedeno, může způsobit přehřátí nebo poškození strunové sekačky.

VAROVÁNÍ: Nikdy nepoužívejte kovem zesílený strunu, dráty, nebo lana atd. Mohou se ulomit a stát se nebezpečnými projektily.

1. Vyjměte akumulátor
2. Odstraňte zbývající strunu, pokud je to nutné. Jednoduše ji ručně vytáhněte.
3. Odřežte 4 metrů strunu, Vložte strunu do otvoru uvnitř očka (obr. F). Přetlačte a vytáhněte strunu z druhé strany, dokud se na obou stranách cívký neobjeví stejná délka struny.
4. Při otáčení držáku cívký ve směru šipky stiskněte pro navinutí struny na cívký, až dokud na každé straně nezůstane přibližně 14 cm struny (obr. G).
5. Zatlačte držák cívký dolů při vytahování strun pro ruční vysunutí struny a zkontrolování správné montáže strunové hlavy.

Když se žací struna utrhne ve výstupu struny nebo žací struna není uvolněna, když se ťukne na hlavu sekačky, postupujte podle následujících kroků:

CZ

1. Vyjměte akumulátor.
2. Stiskněte uvolňovací západky na držáku cívký a vytáhněte držák cívký tahem směrem ven (obr. H a I).
3. Vytáhněte strunu z držáku cívký.
4. S jednou rukou držte základnu cívký, druhou rukou uchopte držák cívký a zarovnejte jazýčky na držáku cívký s otvory v základně cívký (obr. J); Použijte dlaň pro přitisknutí a otáčení držáku cívký doleva a doprava, dokud jazýčky nezapadnou do základny cívký (obr. K).
5. Postupujte podle pokynů v části „VÝMĚNA STRUNY“ pro natáhnutí nové struny.

Pokud je nástroj určený k použití jako křovinořez, postupujte podle kroků na Obr. L a M, které znázorňují, jak demontovat strunovou hlavu.

ÚDRŽBA

VAROVÁNÍ: Před kontrolou, čištěním nebo údržbou přístroje zastavte motor, počkejte, až se všechny pohyblivé díly zastaví a vyjměte baterii. Nedodržení těchto instrukcí může vést k vážnému zranění nebo poškození majetku.

VAROVÁNÍ: Při opravách používejte pouze originální náhradní díly. Použití jiných dílů může být rizikem nebo způsobit poškození výrobku. Pro zajištění bezpečnosti a spolehlivosti musí veškeré opravy, kromě položek uvedených v tomto návodu na údržbu, provádět kvalifikovaný servisní technik.

CELKOVÁ ÚDRŽBA

K čištění plastových dílů nepoužívejte rozpouštědla. Většina plastů je náchylná k poškození různými typy komerčních rozpouštědel a jejich použití je může poškodit. K odstranění nečistot, prachu, oleje, maziva atd. použijte čistý hadr.

ČIŠTĚNÍ NÁŘADÍ

- Odstraňte jakoukoliv trávu, která se namotala kolem hřídele motoru nebo strunové hlavy.
- K čištění větracích otvorů na zadní části pouzdra použijte malý kartáč nebo malý vysavač.
- Nářadí čistěte vlhkým hadrem s neagresivním čisticím prostředkem.
- Na plastové pouzdro nebo rukojeť nepoužívejte žádné silné čisticí prostředky. Mohou být poškozeny některými aromatickými oleji, jako např. borovicovým nebo citronovým a rozpouštědly, jako např. petrolej. Vlhkost může rovněž způsobit riziko úrazu elektrickým proudem. Veškerou vlhkost setřete suchým měkkým hadrem.

MAZÁNÍ PŘEVODOVKY

Převody v převodové skříně se musí pravidelně mazat převodovkovým tukem. Zkontrolujte hladinu převodového maziva v převodovce přibližně každých 50 hodin provozu odstraněním těsnícího šroubu na boku skříně.

Pokud na bocích převodovky není vidět žádný tuk, postupujte podle pokynů pro naplnění převodovým mazivem až do 3/4 kapacity.

Nezaplněte zcela převody.

1. Přidrže strunovou sekačku na boku, aby těsnící šroub směřoval nahoru.
2. Pomocí dodaného multifunkčního klíče povolte a odstraňte těsnící šroub.
3. Použijte mazací stříkačku (není součástí dodávky) pro zavedení maziva do otvoru pro šroub; nepřekročte 3/4 kapacity.
4. Po naplnění utáhněte těsnící šroub.

SKLADOVÁNÍ NÁŘADÍ

- Vyjměte akumulátor ze sekačky.
- Nářadí před uskladněním řádně vyčistěte.

- Je-li nástavec strunové sekačky odpojen od pohonné hlavy a skladován odděleně: Namontujte koncovku na hřídel nástavce, aby se nečistoty nedostaly do spojky.
- Nářadí skladujte na suchém, dobře větraném, uzamčeném nebo vyvýšeném místě mimo dosah dětí. Nářadí neskladujte v blízkosti hnojiv, benzínu nebo jiných chemických látek.

Ochrana životního prostředí



Elektrické zařízení, nabíječku a baterie/ nabíjecí baterie nevhazujte do domovního odpadu!

Podle směrnice Evropského parlamentu a Rady 2012/19/EU se musí odpadní elektrická a elektronická zařízení a podle směrnice 2006/66/ES vadné nebo použité akumulátory/baterie sbírat odděleně.

Pokud se elektrická zařízení likvidují na zavážkách nebo skládkách, mohou do podzemní vody prosáknout nebezpečné látky, dostat se do potravního řetězce a poškodit tak vaše zdraví a zdravotní stav.

ODSTRAŇOVÁNÍ PROBLÉMŮ

PROBLÉM	PŘÍČINA	ŘEŠENÍ
Strunová sekačka se nespustí.	<ul style="list-style-type: none"> ■ Akumulátor není připojen k pohonné hlavě. ■ Bez elektrického kontaktu mezi pohonnou hlavou a akumulátorem. ■ Akumulátor je vybitý. ■ Páka pojistky a spoušť nejsou stisknuté současně. 	<ul style="list-style-type: none"> ■ Připojte akumulátor na pohonnou hlavou. ■ Vyměňte baterii, zkontrolujte kontakty a vložte akumulátor, dokud nezapadne na své místo. ■ Nabijte akumulátor pomocí nabíječek EGO, které jsou uvedeny v tomto návodu k obsluze. ■ Stlačte páku pojistky, držte ji a stisknutím spouště zapnete strunovou sekačku.
Při sekání se strunová sekačka zastaví.	<ul style="list-style-type: none"> ■ Na sekačce není namontovaný kryt, což má za následek příliš dlouhou žací strunu a přetížení motoru. ■ Je použita těžká žací struna. ■ Hřídel motoru nebo strunová hlava jsou zablokované trávou. ■ Motor je přetížen. ■ Akumulátor strunové sekačky je příliš horký. ■ Akumulátor je odpojený od náradí. ■ Akumulátor je vybitý. 	<ul style="list-style-type: none"> ■ Vyměňte ze sekačky akumulátor a namontujte kryt. ■ Používejte standardní nylonovou žací strunu s průměrem nejvíce 2,4 mm. ■ Zastavte sekačku, vyjměte akumulátor a odstraňte trávu z hřídele motoru a strunové hlavy. ■ Vytáhněte strunovou hlavu z trávy. Motor začne pracovat, jakmile odstraníte zatížení. Při sekání pohybujte strunovou hlavou v sekané trávě tam a zpět, délka pohybu by neměla přesáhnout délku 20 cm v jednom tahu. ■ Nechejte akumulátor nebo sekačku zchladnout, dokud teplota neklesne pod 67 °C . ■ Znovu nainstalujte akumulátor. ■ Nabijte akumulátor pomocí nabíječek EGO, které jsou uvedeny v tomto návodu k obsluze.

CZ

PROBLÉM	PŘÍČINA	ŘEŠENÍ
Ze strunové hlavy se nevysouvá struna.	<ul style="list-style-type: none"> ■ Hřídel motoru nebo strunová hlava jsou zablokované trávou. ■ Na cívce není struna v dostatečné délce. ■ Strunová hlava je znečištěná. ■ Struna je zamotaná v držáku cívky. ■ Struna je příliš krátká. 	<ul style="list-style-type: none"> ■ Zastavte sekačku, vyjměte akumulátor a odstraňte trávu z hřídele motoru a strunové hlavy. ■ Vyjměte baterii a vyměňte strunu; dodržujte pokyny uvedené v části „VÝMĚNA STRUNY“ v tomto návodu. ■ Vyjměte akumulátor, vyčistěte cívku, držák cívky a spodní část cívky. ■ Vyjměte akumulátor, vymotejte strunu z cívky a znovu ji navíňte; dodržujte pokyny uvedené v části „VÝMĚNA STRUNY“ v tomto návodu. ■ Vyjměte baterii, zatáhněte za struny a současně poklepejte na regulátor struny.
Kolem strunové hlavy a pouzdra motoru se namotala tráva.	<ul style="list-style-type: none"> ■ Sekání vysoké trávy na úrovni terénu. 	<ul style="list-style-type: none"> ■ Vysokou trávu sekejte shora dolů, pokaždé ne více než 20 cm, aby nedocházelo k zamotání.
Čepel neřeže strunu.	<ul style="list-style-type: none"> ■ Vyzínací kotouč na okraji krytu se ztupil. 	<ul style="list-style-type: none"> ■ Nabruste vyzínací kotouč pilníkem nebo jej vyměňte za nový.
Praskliny na strunové hlavě nebo uvolněný držák cívky na základně.	<ul style="list-style-type: none"> ■ Strunová hlava je opotřebovaná. 	<ul style="list-style-type: none"> ■ Ihned vyměňte strunovou hlavu; postupujte podle části „VÝMĚNA STRUNOVÉ HLAVY“ v tomto návodu k obsluze.
Během výměny struny nelze strunu správně vložit do strunové hlavy.	<ul style="list-style-type: none"> ■ Značky LOAD na strunové hlavě nejsou v souladu s očky na základně cívky. ■ Struna není správně vložena do montážního otvoru v očku. 	<ul style="list-style-type: none"> ■ Otočte držák cívky ve směru šipky, vyrovnejte značky LOAD na držáku cívky s očky na základně cívky. ■ Nejprve srovnejte značky LOAD s očky, potom vložte strunu do montážního otvoru uvnitř oka.

ZÁRUKA

ZÁRUKA SPOLEČNOSTI EGO

Úplné záruční podmínky společnosti EGO naleznete na webové stránce egopowerplus.com.

PREČÍTAJTE SI VŠETKY POKYNY!



PREČÍTAJTE SI NÁVOD NA OBSLUHU

⚠ Potenciálne riziká! Ľudia s elektronickými zariadeniami, ako sú napríklad kardiostimulátory, sa musia pred použitím tohto výrobku poradiť so svojim lekárom. Použitie elektrických zariadení v tesnej blízkosti kardiostimulátora by mohlo spôsobiť rušenie alebo zlyhanie kardiostimulátora.

⚠ VAROVANIE: Pre zaistenie bezpečnosti a spoľahlivosti je nevyhnutné, aby všetky opravy a výmeny vykonával len kvalifikovaný servisný technik.

BEZPEČNOSTNÉ SYMBOLY

Účelom bezpečnostných symbolov je upozorniť vás na možné nebezpečenstvá. Venujte príslušnú pozornosť a pochopte bezpečnostné symboly a ich vysvetlenia. Varovné symboly, samy o sebe, nedokážu eliminovať nebezpečenstvo. Pokyny a varovania, ktoré obsahujú, nie sú náhradou za vhodné opatrenia na prevenciu úrazov.

⚠ VAROVANIE: Pred použitím tohto nástroja si prečítajte a pochopte všetky bezpečnostné pokyny v tomto návode na obsluhu, vrátane všetkých bezpečnostných výstražných symbolov, ako sú „**NEBEZPEČENSTVO**“, „**VAROVANIE**“ a „**UPOZORNENIE**“. Nedodržanie nižšie uvedených pokynov môže mať za následok úraz elektrickým prúdom, požiar a/alebo vážne zranenie.

VÝZNAM SYMBOLU

⚠ BEZPEČNOSTNÝ VÝSTRAŽNÝ SYMBOL: Označuje **NEBEZPEČENSTVO**, **VAROVANIE** alebo **UPOZORNENIE**, ktorý môže byť použitý v spojení s inými symbolmi alebo piktogramami.



⚠ VAROVANIE: Prevádzka akéhokoľvek elektrického náradia môže viesť k vyršteniu cudzích predmetov do vašich očí, čo môže spôsobiť vážne poškodenie zraku. Skôr, ako začnete používať elektrické náradie, si vždy nasadte ochranné okuliare alebo ochranné okuliare s postrannými krytmi a prípadne celotvárový štít. Odporúčame použiť bezpečnostnú masku Wide Vision cez okuliare alebo štandardné bezpečnostné okuliare s postrannými krytmi.

BEZPEČNOSTNÉ POKYNY

Táto strana zobrazuje a popisuje bezpečnostné symboly, ktoré sa objavujú na tomto výrobku. Pred pokusom o zostavenie a prevádzkovanie si prečítajte, pochopte a dodržiavajte všetky pokyny na stroji.

	Bezpečnostné upozornenie	Upozorňuje na potenciálne nebezpečenstvo úrazu.
	Prečítajte si návod na obsluhu.	Ak chcete znížiť riziko zranenia, používateľ musí pred použitím tohto výrobku prečítať a pochopiť návod na obsluhu.
	Používajte ochranu zraku.	Pri práci s týmto výrobkom vždy nosíte ochranné okuliare alebo ochranné okuliare s postrannými krytmi a celotvárový štít.
	Používajte ochranu sluchu.	Vždy používajte ochranu sluchu (špunty do uší alebo slúchadlá), ktoré chránia váš sluch.
	Používajte ochranu hlavy.	Používajte schválenú bezpečnostnú prilbu na ochranu hlavy.
	Používajte ochranné rukavice.	Chráňte si ruky rukavicami pri manipulácii s čepeľou alebo chráničom čepele. Pevné a protišmykové rukavice zlepšujú uchopenie a chránia ruky.
	Používajte ochrannú obuv.	Pri používaní tohto zariadenia nosíte protišmykovú bezpečnostnú obuv.
	Rezná šírka	Max. rezná šírka strunovej kosačky
	Priemer struny	Priemer nylonovej rezacej struny
	Bez okružlej čepele	Neinštalujte okružle rezacie čepele.

SK

	Udržiavajte okolostojace osoby v bezpečnej vzdialenosti.	Zabezpečte, aby ostatní ľudia a domáce zvieratá zostali vo vzdialenosti aspoň 15m od strunovej kosačky, keď sa používa.
	Udržiavajte okolostojace osoby v bezpečnej vzdialenosti.	Zabezpečte, aby ostatní ľudia a domáce zvieratá zostali vo vzdialenosti aspoň 15m od strunovej kosačky, keď sa používa.
	Nevystavujte dažďu	Nepoužívajte v daždi, alebo nenechávajte vonku, keď prší.
	CE	Tento výrobok je v súlade s platnými smernicami ES.
	WEEE	Nepotrebné elektrické výrobky sa nesmú likvidovať spolu s domovým odpadom. Odovzdajte do autorizovaného recyklačného strediska.
	Hluk	Garantovaná hladina akustického výkonu. Emisie hluku do prostredia podľa smernice Európskeho spoločenstva.
V	Volt	Napätie
mm	Milimeter	Dĺžka alebo veľkosť
cm	Centimeter	Dĺžka alebo veľkosť
kg	Kilogram	Hmotnosť

VŠEOBECNÉ BEZPEČNOSTNÉ UPOZORNENIA PRE ELEKTRICKÉ NÁRADIE

⚠ VAROVANIE: Prečítajte si všetky bezpečnostné výstrahy, pokyny, ilustrácie a technické údaje dodané s týmto elektrickým nástrojom. Nedodržanie nižšie uvedených pokynov môže mať za následok úraz elektrickým prúdom, požiar a/alebo vážne zranenie.

Uchovajte všetky varovania a pokyny pre budúce použitie.

Výraz „elektrické náradie“ vo všetkých varovaniach odkazuje na náradie napájané zo siete (káblom) alebo náradie napájané batériou (bez kábla), ktoré ste si zaobstarali.

BEZPEČNOSŤ PRACOVNÉHO PRIESTORU

- **Udržiavajte pracovisko čisté a dobre osvetlené.** Neporiadok a tmavé priestory vedú k úrazom.
- **Nepoužívajte elektrické náradie vo výbušnom prostredí, napríklad v prítomnosti horľavých kvapalín, plynov alebo prachu.** Elektrické náradie vytvára iskry, ktoré môžu zapáliť prach alebo výpary.
- **Pri používaní elektrického náradia udržiavajte deti a okolostojace osoby mimo pracoviska.** Rozptýlenie môže spôsobiť stratu kontroly.

BEZPEČNOSŤ OSÔB

- **Buďte pozorní, sledujte to, čo robíte a používajte zdravý rozum pri práci s elektrickým náradím.** Nepoužívajte elektrické náradie, ak ste unavení alebo pod vplyvom drog, alkoholu alebo liekov. Chvilka nepozornosti pri práci s náradím môže viesť k vážnemu úrazu.
- **Používajte osobné ochranné pomôcky.** Vždy používajte ochranu očí. Ochranné prostriedky ako respirátor, protišmyková bezpečnostná obuv, prilba alebo chrániče sluchu použité za vhodných podmienok znižujú nebezpečenstvo zranenia.
- **Zabráňte náhodnému spusteniu. Pred pripojením k zdroju napájania a/alebo akumulátoru, pri zdvíhaní alebo prenášaní nástroja sa uistite, že prepínač je vo vypnutej polohe.** Prenášanie elektrického náradia s prstom na vypínači alebo aktivácia elektrického náradia, ktorý má zapnutý vypínač môže viesť k úrazu.
- **Pred zapnutím elektrického náradia odstráňte akékoľvek nastavovacie nástroje alebo kľúče. Nástroj alebo kľúč, ktorý zostane pripojený na rotujúcu časť stroja, môže spôsobiť zranenie.**
- **Nepreceňujte sa. Pri práci vždy dodržujte správny postoj a rovnováhu.** Umožňuje to lepšiu kontrolu elektrického náradia v neočakávaných situáciách.
- **Vhodne sa oblečte. Nenoste šperky alebo voľný odev. Udržujte vlasy, oblečenie a rukavice v dostatočnej vzdialenosti od pohybujúcich sa dielov.** Voľný odev, šperky alebo dlhé vlasy môžu byť zachytené pohybujúcimi sa dielmi.
- **Pokiaľ je náradie vybavené zariadením na zachytávanie prachu a úlomkov materiálu, skontrolujte, či je k náradíu správne pripojené.** Použitie odsávania prachu môže znížiť nebezpečenstvo, ktoré súvisí s prachom.

SK

- **Nedovoľte, aby ste sa po získaní skúseností častým používaním nástrojov stali neobozretnými a ignorovali zásady bezpečnosti.** Nedbalá činnosť môže spôsobiť vážne zranenie za zlomok sekundy.

POUŽITIE ELEKTRICKÉHO NÁRADIA A STAROSTLIVOSŤ

- **Netlačte na elektrické náradie. Používajte správne náradie na vašu prácu.** Správne elektrické náradie bude pracovať lepšie a bezpečnejšie pri rýchlosti, na ktorú bolo určené.
- **Nepoužívajte elektrické náradie v prípade, že vypínač nie je možné zapnúť a vypnúť.** Akékoľvek elektrické náradie, ktoré sa nedá ovládať vypínačom je nebezpečné a musí sa opraviť.
- **Uchovávajte nepoužívané elektronáradie mimo dosahu detí a nedovoľte, aby osoby neoboznamené s elektrickým náradím alebo s týmito pokynmi náradie používali.** Elektrické náradie je nebezpečné, ak ho používajú neskusené osoby.
- **Udržujte elektrické náradie a príslušenstvo. Skontrolujte nastavenie pohyblivých častí, poškodenie dielov a akékoľvek ďalšie okolnosti, ktoré môžu mať vplyv na funkciu elektrického náradia. Ak je elektrické náradie poškodené, nechajte ho pred použitím opraviť.** Vefa úrazov je zapríčinených zle udržiavaným náradím.
- **Rezacie nástroje udržiavajte ostré a čisté.** Starostlivo ošetrované rezné nástroje s ostrými čepeľami menej pravdepodobne uviaznu a jednoduchšie sa ovládajú.
- **Používajte elektronáradie, príslušenstvo, násady apod. podľa týchto pokynov a rešpektujte pritom pracovné podmienky a vykonávanú činnosť.** Použitie elektrického náradia na iné ako určené účely môže viesť k nebezpečným situáciám.
- **Udržujte rukoväte a uchopovacie plochy suché, čisté, bez oleja a maziva.** Klzké držiadlá a uchopovacie plochy neumožňujú bezpečnú manipuláciu s nástrojom a jeho ovládanie v nečakaných situáciách.
- **Udržujte káble mimo pracovného priestoru nástroja.** Počas práce môžu byť káble skryté z dohľadu a môžu byť náhodne poškodené nástrojom.

POUŽITIE BATÉRIE A STAROSTLIVOSŤ

- **Nabíjajte iba nabíjačkou určenou výrobcom.** Nabíjačka vhodná pre jeden typ akumulátora môže spôsobiť riziko požiaru pri použití s iným akumulátorom.
- **Používajte elektrické náradie iba s výslovne určenými akumulátormi.** Použitie iných akumulátorov môže spôsobiť riziko úrazu a požiaru.

- **Ak sa batériový modul nepoužíva, držte ho mimo iných kovových predmetov, ako sú sponky, mince, kľúče, klinec, skrutkovače alebo iné malé kovové predmety, ktoré by mohli navzájom prepojiť kontakty batérie.** Skratovanie kontaktov akumulátora môže spôsobiť popálenie alebo požiar.
- **V nevhodných podmienkach môže kvapalina unikáť z batérie. Zabráňte kontaktu. Pri náhodnom kontakte opláchnite vodou. Pri zasiahnutí očí vyhľadajte lekársku pomoc.** Unikajúca kvapalina z akumulátora môže spôsobiť podráždenie pokožky alebo popálenie.
- **Nepoužívajte akumulátor alebo nástroj, ktorý je poškodený alebo upravený.** Poškodené alebo upravené batérie môžu mať nepredvídateľné chovanie, ktoré môže viesť k požiaru, výbuchu alebo nebezpečenstvu poranenia.
- **Nevystavujte akumulátor ani nástroj ohňu alebo nadmernej teplote.** Pri vystavení ohni alebo teplote nad 100 °C môže dôjsť k výbuchu.
- **Dodržujte všetky pokyny pre nabíjanie a nenabíjajte akumulátor alebo nástroj mimo rozsah teplôt uvedených v pokynoch.** Nesprávne nabíjanie alebo nabíjanie pri teplotách mimo stanovený rozsah môže poškodiť akumulátor a zvýšiť riziko požiaru.

OPRAVA

- **Nechajte vaše elektrické náradie opraviť kvalifikovanou osobou s použitím iba identických náhradných dielov.** Tým sa zabezpečí, že bezpečnosť stroja zostane zachovaná.
- **Nikdy neopravujte poškodené akumulátory.** Servis akumulátorov smie robiť iba výrobca alebo autorizovaní poskytovatelia služieb.

VAROVANIE: Prečítajte si všetky bezpečnostné výstrahy, pokyny, ilustrácie a technické údaje dodané s týmto elektrickým nástrojom. Nedodržanie nižšie uvedených pokynov môže mať za následok úraz elektrickým prúdom, požiar a/alebo vážne zranenie. Všetky varovania a pokyny si ponechajte pre prípadnú potrebu v budúcnosti.

Všetky varovania a pokyny si ponechajte pre prípadnú potrebu v budúcnosti.

ŠKOLENIE

- **Pozorne si prečítajte návod.** Zoznámte sa s ovládacími prvkami a správnym používaním stroja.
- **Nikdy nedovoľte používať zariadenie osobám alebo deťom, ktoré nie sú oboznamené s týmito pokynmi.** Miestne predpisy môžu obmedziť vek prevádzkovateľa.
- **Majte na pamäti, že prevádzkovateľ alebo používateľ je zodpovedný za nehody alebo riziká, ktoré vzniknú iným osobám alebo za ujmu na ich majetku.**

PRÍPRAVA

- Nikdy nepoužívajte stroj za prítomnosti osôb, najmä detí, alebo zvierat v jeho blízkosti.
- Používajte ochranu očí a hrubé topánky po celú dobu používania stroja.
- Vzdialenosť medzi prístrojom a okolostojacimi osobami musí byť najmenej 15 m.
- Nikdy nepoužívajte stroj, keď je prevádzkovateľ unavený, chorý alebo pod vplyvom alkoholu či iných drog.

PREVÁDZKA

- Stroj používajte iba za denného svetla alebo pri dobrom umelom osvetlení.
- Nikdy nepoužívajte stroj s poškodenými krytmi alebo štítlami, alebo bez nasadených krytov alebo štítov.
- Motor zapnite až vtedy, keď sú ruky a nohy mimo dosahu rezacích prostriedkov.
- Vždy odpojte strunovú kosačku od napájacieho zdroja (t.j. vyberte akumulátor):
 - vždy, keď necháte stroj bez dozoru;
 - pred odstránením blokovania;
 - pred kontrolou, čistením alebo prácou na stroji.
 - po zasiahnutí cudzím predmetom;
 - vždy, keď stroj začne neobvykle vibrovať.
- Dávajte pozor na poranenia nôh a rúk rezacími prostriedkami.
- Zabezpečte, aby ventilačné otvory boli čisté.

ÚDRŽBA A SKLADOVANIE

- Pred vykonávaním údržby alebo čistením odpojte stroj od napájacieho zdroja (t.j. vyberte akumulátor).
- Používajte len príslušenstvo a náhradné diely odporúčané výrobcom.
- Pravidelne kontrolujte a udržiavajte stroj. Nechajte stroj opraviť len u autorizovaného odborníka.
- Keď stroj nepoužívate, uskladnite ho mimo dosahu detí.

ĎALŠIE BEZPEČNOSTNÉ VAROVANIA

- **Vyhňte sa nebezpečným prostrediam** - Nepoužívajte spotrebič na vlhkom alebo mokrom svahu.
- **Majte chrániče nasadené a vo funkčnom stave.**
- **Udržujte ruky a nohy v bezpečnej vzdialenosti od rezacieho priestoru.**
- **Za účelom zníženia rizika zranenia nikdy nepracujte na rebríku alebo na inom nestabilnom podklade. Nikdy nedržte rezáciu jednotku nad úrovňou pásu.**
- **Počas prevádzky kontrolujte rezáciu jednotku v pravidelných krátkych intervaloch, alebo ihneď, ak vznikne nápadná zmena v charakteristike rezania.**

- **Pre dosiahnutie najlepších výsledkov je potrebné batériu nabíjať na mieste s teplotou vyššou ako 5 °C a nižšou ako 40 °C.** Neskladujte vonku alebo vo vozidlách.
- **Ak sa k vám niekto blíži, ihneď vypnite motor a rezáciu jednotku.**
- **Upozorníte obsluhu na nebezpečenstvo spätného rázu čepele (len pre 3-zubovú čepeľ).**
 - K spätnému rázu môže dôjsť pri kontakte otáčajúcej sa čepele s objektom, ktorý nie je okamžite prerazaný.
 - Spätný ráz môže byť dosť silný, aby spôsobil pohyb prístroja a/alebo používateľa v ľubovoľnom smere a môže tiež viesť k strate kontroly nad prístrojom.
 - K spätnému rázu môže dôjsť bez varovania, ak sa čepeľ zadrhne, zastaví alebo zasekne.
 - Spätný ráz je pravdepodobnejší v oblastiach, kde je náročné vidieť rezaný materiál.
- **Nepripojujte žiadnu čepeľ na prístroj bez správnej inštalácie všetkých potrebných dielov. Ak sa nepoužijú správne diely, môže dôjsť k odleteniu čepele a vážnemu poraneniu obsluhy a/alebo okoloidúcich. Vyhodte čepele, ktoré sú ohnuté, zdeformované, popraskané, rozbité alebo inak akokoľvek poškodené. Používajte ostré čepele. Tupá čepeľ sa viac pravdepodobne zachytí a vykoná spätný ráz (len pre 3-zubovú čepeľ).**
- **Voľnobežná čepeľ/struna môže spôsobiť zranenie, keď sa ďalej otáča potom, čo je motor zastavený alebo spúšť uvoľnená. Dodržujte náležitú kontrolu, pokiaľ čepeľ/struna celkom nezastaví svoje otáčanie.**
- **Nástroje na batérie nemusia byť zapojené do elektrickej zásuvky; preto sú vždy v prevádzkovom stave. Buďte si vedomí možných rizík, aj keď sa nástroj nepoužíva. Buďte opatrní pri vykonávaní údržby alebo servisu.**
- **Neumývajte s hadicou; zabráňte tomu, aby sa voda dostala do motora a elektrických pripojok.**
- **Ak sa vyskytnú situácie, ktoré nie sú zahrnuté v tomto návode, dávajte pozor a použite zdravý úsudok. Obráťte sa na zákaznické servisné stredisko EGO pre pomoc.**
- **Používajte iba s akumulátormi a nabíjačkami, ktoré sú uvedené na obr. A.**

ODLOŽTE SI TIETO POKYNY!

SK

TECHNICKÉ ÚDAJE

Rezací mechanizmus	Rezací hlava	
Priemer struny	2,4 mm nylonová stočená struna	
Rezná šírka	38 cm	
Rýchlosť naprázdno	5000/6000 min ⁻¹	
Hmotnosť (bez akumulátora)	1,59 kg	
Odporúčaná prevádzková teplota	0°C-40°C	
Odporúčaná skladovacia teplota	-20°C-70°C	
Hladina akustického výkonu L _{WA}	94,6 dB(A) K=1,80 dB(A)	
Hladina akustického tlaku pri uchu obsluhy L _{PA}	83,2 dB(A) K=3 dB(A)	
Garantovaná hladina akustického výkonu L _{WA} (meraná podľa 2000/14/EC)	96 dB(A)	
Vibrácie a _h	Predná pomocná rukoväť	1,1 m/s ² K=1,5 m/s ²
	Zadná rukoväť	1,4 m/s ² K=1,5 m/s ²

SK

- Vyššie uvedené parametre sú testované a merané s nástrojom vybaveným pohonnou hlavou PH1400E.
- Uvádzaná celková hodnota vibrácií bola meraná v súlade so štandardnou skúšobnou metódou a môže byť použitá na porovnanie jedného zariadenia s iným;
- Uvádzaná celková hodnota vibrácie sa môže použiť aj na predbežný odhad expozície.

POZNÁMKA: Emisia vibrácií pri skutočnom používaní náradia sa môže odlišovať od deklarovanej hodnoty, pri akej sa nástroj používa; Za účelom ochrany obsluhy má používateľ v skutočných podmienkach použitia nosiť rukavice a ochranu sluchu.

OBSAH BALENIA

NÁZOV DIELU	MNOŽSTVO
Nástavec pre strunovú kosačku	1
Chránič	1
Šesthranný kľúč	1
Multifunkčný kľúč	1
Návod na obsluhu	1

Informácie o odporúčanej rezacej strune nájdete na webových stránkach egopowerplus.com alebo sa pozrite do katalógu výrobkov EGO.

POPIS

ZOZNÁMTE S NÁSTAVCOM PRE STRUNOVÚ KOSAČKU (obr. A)

1. Koncovka
2. Hriadeľ strunovej kosačky
3. Resacia struna
4. Strunová hlava (rezacia hlava)
5. Uvoľňovacia zarážka
6. Strunová čepeľ
7. Chránič
8. Imbusový kľúč
9. Multifunkčný kľúč

VAROVANIE: Nikdy nepoužívajte náradie bez nasadeného ochranného krytu. Chránič musí byť vždy na nástroji pre ochranu používateľa.

ZOSTAVA

VAROVANIE: Ak akýkoľvek diel chýba, alebo je poškodený, nepoužívajte tento výrobok, kým nie sú vymenené diely. Ak používate tento výrobok s poškodenými alebo chýbajúcimi časťami, môže dôjsť k vážnemu zraneniu.

VAROVANIE: Nepokúšajte sa upravovať tento výrobok alebo vytvoriť príslušenstvo, ktoré nie je odporúčané pre použitie s touto strunovou kosačkou. Každá takáto zmena alebo úprava je zneužitím a môže viesť k nebezpečnému stavu spôsobujúcemu vážne poranenie.

VAROVANIE: Nepripájajte pohonnú hlavu pred dokončením zmontovania. Nedodržanie tohto pokynu môže viesť k náhodnému štartu a možnému vážnemu poraneniu.

MONTÁŽ CHRÁNIČA

VAROVANIE: Pri montáži alebo výmene chrániča vždy používajte rukavice. Dávajte pozor na ostrie na chrániči a chráňte svoje ruky pred poranením ostrím.

Povoľte a odstráňte dve skrutky zo základne hriadeľa (obr. C), vyrovnajte montážne otvory chrániča s montážnymi otvormi a pripevnite chránič na základňu hriadeľa s

dvoma skrutkami a dvoma pružnými podložkami (obr. D). Zabezpečte, aby bol chránič pripevnený podľa obr. C a D.

Akékoľvek iné upevnenie spôsobí veľké nebezpečenstvo!

PRIPOJENIE NÁSTAVCA PRE STRUNOVÚ KOSAČKU NA POHONNÚ HLAVU

Tento nástavec pre strunovú kosačku je určený na použitie s pohonnou hlavou EGO PH1400E.

Pozrite si časť „**INŠTALÁCIA NÁSTAVCA NA POHONNÚ HLAVU**“ v návode na obsluhu pohonnej hlavy PH1400E.

OBSLUHA

VAROVANIE: Nedovoľte, aby ste sa po zoznámení s týmto výrobkom stali neopatrnými. Zapamätajte si, že zlomok sekundy neopatrnosti postačuje na spôsobenie vážneho poranenia.

VAROVANIE: Vždy používajte ochranu zraku spolu s chráničmi sluchu. Ak tak neurobíte, môže dôjsť k vyvráteniu predmetov do očí a iným možným vážnym zraneniam.

APLIKÁCIE

Tento výrobok môžete použiť na nižšie uvedené účely:

- Osekávanie trávy a buriny okolo prístreškov, plotov a plošín

POZNÁMKA: Nástroj sa musí používať len na predpísané účely. Každé iné použitie sa považuje za prípad zneužitia.

Pred každým použitím skontrolujte, či nie sú poškodené / opotrebované diely

Skontrolujte strunovú hlavu, chránič a prednú pomocnú rukoväť a vymeňte diely, ktoré sú prasknuté, zdeformované, ohnuté, alebo inak poškodené.

Strunová čepeľ na okraji chrániča sa v priebehu času otupí. Odporúčame, aby ste ju pravidelne prebrúsili pilníkom, alebo ju nahradili za novú čepeľ.

VAROVANIE: Pri montáži alebo ostrení chrániča, brúsení alebo pri výmene čepele vždy používajte rukavice. Dajte si pozor na ostré hrany na chrániči a chráňte si ruky pred porezaním.

VAROVANIE: Aby nedošlo k vážnemu zraneniu, tak pred vykonávaním údržby, čistením, výmenou príslušenstva alebo odstraňovaním materiálu z prístroja vyberte akumulátor z pohonnej hlavy.

POUŽITÍ STRUNOVEJ KOSAČKY S POHONNOU HLAVOU

VAROVANIE: Oblečte sa vhodne pri práci s týmto náradím, aby sa znížilo riziko poranenia. Nenoste šperky alebo voľný odev. Používajte ochranu očí a sluchu. Oblečte si odolné, dlhé nohavice, vysoké topánky a rukavice. Nenoste krátke nohavice, sandále alebo nebuďte naboso.

VAROVANIE: Pred každým použitím vyčistite oblasť, ktorá má byť rezaná. Odstráňte všetky predmety, ako sú kamene, rozbité sklo, klince, drôty alebo šnúry, ktoré môžu byť vymrštené alebo môžu uviaznuť v stroji. Zabráňte prístupu deťom, prítomným osobám a domácim zvieratám. Všetky deti, prizerajúce sa osoby a zvieratá sa musia zdržiavať vo vzdialenosti najmenej 15 metrov; stále ešte môže existovať riziko vymrštenia predmetov na prizerajúce sa osoby. Okolostojace osoby by mali mať ochranu očí. Ak sa približujú, okamžite zastavte motor a reznú príslušenstvo.

Pre bezpečnejšie a lepšie používanie si dajte ramenný popruh cez rameno. Upravte ramenný popruh do pohodlnej pracovnej polohy. Vždy držte strunovú kosačku jednou rukou na zadnej rukoväti a druhou rukou na prednej rukoväti. Udržujte pevný úchop obomi rukami pri používaní nadradia. Strunová kosačka sa má držať v pohodlnej polohe so zadnou rukoväťou vo výške bedrového kĺbu. Strunová hlava musí byť rovnobežná so zemou tak, aby sa zľahka dotýkala rezaného materiálu bez toho, aby sa operátor musel ohýbať (obr. B).

VAROVANIE: Ramenný popruh má takisto rýchlovypínací mechanizmus pre nebezpečné situácie. Ak dôjde k núdzovej situácii, ihneď si popruh odopnite zo svojho ramena bez ohľadu na to, akým spôsobom je popruh pripnutý.

Po každom použití vyčistite kosačku.

Pozrite si časť ÚDRŽBA pre pokyny na čistenie.

ZAPNUTIE/VYPNUTIE NÁSTROJA

Pozrite si časť „**ZAPNUTIE/VYPNUTIE POHONNEJ HLAVY**“ v návode na obsluhu pohonnej hlavy PH1400E.

NASTAVENIE DĹŽKY REZNEJ STRUNY

Strunová hlava umožňuje obsluhu predĺžiť rezáciu strunu bez zastavenia motora. Ak sa struna rozstrapká alebo opotrebuje, je možné vysunúť ďalšiu strunu ľahkým poklepaním hlavy kosačky o zem pri používaní kosačky (obr. E).

SK

POZNÁMKA: Vysúvanie struny sa stáva ťažšie, keď sa struna skracuje.

VAROVANIE: Neodstraňujte alebo nemeňte zostavu strunovej rezacej čepele. Nadmerná dĺžka struny môže spôsobiť prehriatie motora a môže dôjsť k vážnemu zraneniu.

VÝMENA STRUNY

POZNÁMKA: Vždy používajte odporúčanú nylonovú strunu s priemerom, ktorý nepresahuje 2,4 mm. Použitie inej struny, než je uvedené, môže spôsobiť prehriatie alebo poškodenie strunovej kosačky.

VAROVANIE: Nikdy nepoužívajte kovom vystužené struny, drôty, šnúry atď. Môžu sa odtrhnúť a stať sa nebezpečnými projektíliami.

1. Vyberte akumulátor
2. Odstráňte zvyšnú strunu, ak je to nutné. Jednoducho ju ručne vytiahnite.
3. Odrežte 4 metrov dlhú strunu, Vložte strunu do montážneho otvoru vnútri očka (obr. F). Pretlačte a vytiahnite strunu z druhej strany, pokiaľ nebude rovnaká dĺžka struny na oboch stranách cievky.
4. Zatláčte a otáčajte držiak cievky v smere šípky, aby sa struna navinula na cievku, až pokiaľ nezostane približne 14 cm struny na každej strane (obr. G).
5. Zatláčte dole držiak cievky pri ručnom vyťahovaní strún a skontrolujte správne zloženie strunovej hlavy.

Keď sa rezacia struna odtrhne na výstupe struny alebo sa rezacia struna nevysunie pri poklepaní na hlavu kosačky, postupujte podľa nasledujúcich krokov:

1. Vyberte akumulátor.
2. Stlačte dve uvoľňovacie zarážky na základni cievky a priamo vytiahnite von držiak cievky (obr. H a I).
3. Odstráňte strunu z držiaka cievky.
4. Jednou rukou pridržiňte základňu cievky, druhou rukou uchopte držiak cievky a vyrovnejte zarážky na držiaku cievky s otvormi v základni cievky (obr. J); Dľaňou stlačte a otáčajte držiak cievky doľava a doprava, kým zarážky nezapadnú do základne cievky (obr. K).
5. Postupujte podľa pokynov v časti „VÝMENA STRUNY“ pre natiahnutie novej rezacej struny.

Keď je nástroj určený na použitie ako krovinoz, postupujte podľa krokov na Obr. L a M, ktoré znázorňujú, ako demontovať strunovú hlavu.

ÚDRŽBA

VAROVANIE: Pred kontrolou, čistením alebo údržbou prístroja zastavte motor, počkajte, kým sa všetky pohyblivé diely zastavia a vyberte akumulátor. Nedodržanie týchto pokynov môže viesť k vážnemu zraneniu alebo poškodeniu majetku.

VAROVANIE: Pri servise používajte iba identické náhradné diely. Použitie iných častí môže vyvolať nebezpečenstvo, alebo spôsobiť poškodenie výrobku. Pre zaistenie bezpečnosti a spoľahlivosti musí všetky opravy, okrem položiek uvedených v tomto návode na údržbu, vykonávať kvalifikovaný servisný technik.

CELKOVÁ ÚDRŽBA

Na čistenie plastových dielov nepoužívajte rozpúšťadlá. Väčšina plastov je náchylná na poškodenie z rôznych typov komerčných rozpúšťadiel a môžu sa poškodiť, ak sa použijú. Použite čisté handry na odstránenie nečistôt, prachu, oleja, maziva, atď.

ČISTENIE PRÍSTROJA

- Odstráňte akúkoľvek trávu, ktorá sa namotala okolo hriadeľa motora alebo hlavy kosačky.
- Použite malú kefu alebo malý vysávač na vyčistenie vetracích otvorov na zadnom kryte.
- Výrobok čistite vlhkou handričkou a jemným saponátom.
- Nepoužívajte žiadne silné čistiace prostriedky na plastovom kryte alebo rukoväti. Môžu byť poškodené určitými aromatickými olejmi, ako je borovica a citrón, a rozpúšťadlami, ako je petrolej. Vlhkosť môže tiež spôsobiť nebezpečenstvo úrazu elektrickým prúdom. Akúkoľvek vlhkosť poutierajte mäkkou a suchou handrou.

MAZANIE PREVODOVKY

Prevody v prevodovej skrini sa musia pravidelne mazať prevodovým mazivom. Skontrolujte hladinu prevodového maziva v prevodovke približne každých 50 prevádzkových hodín odstránením tesniacej skrutky na boku skrine.

Ak na stranách prevodov nie je vidno žiadne mazivo, postupujte podľa pokynov pre naplnenie prevodovým mazivom až do 3/4 kapacity.

Nezapliňte celkom prevody.

1. Pridržiňte strunovú kosačku na boku, aby tesniaca skrutka smerovala hore .
2. Pomocou dodaného multifunkčného kľúča povoľte a odstráňte tesniacu skrutku.
3. Použite mazacu striekačku (nie je súčasťou dodávky) na zavedenie maziva do otvoru pre skrutku; neprekročte 3/4 kapacity.

4. Po naplnení utiahnete tesniacu skrutku.

USKLADNENIE PRÍSTROJA

- Vyberte akumulátor z kosačky.
- Pred uložením prístroj dôkladne vyčistite.
- Ak je nástavec strunovej kosačky odpojený od pohonnej hlavy a skladovaný oddelene: Namontujte koncovku na hriadeľ nástavca, aby sa nečistoty nedostali do spojky.
- Prístroj skladujte na suchom a dobre vetranom uzamknutom alebo vyvýšenom mieste mimo dosahu detí. Nástroje neskladujte v blízkosti hnojív, benzínu alebo iných chemikálií.

Ochrana životného prostredia



Nevyhadzujte elektrické zariadenia, nabíjačku batérií a batérie / akumulátory do domového odpadu!

Podľa európskej smernice 2012/19/EU elektrické a elektronické zariadenia, ktoré už nie sú použiteľné a podľa európskej smernice 2006/66/EC chybné alebo použité akumulátory / batérie sa musia zhromažďovať oddelene.

Ak sú elektrické spotrebiče likvidované na neorganizovaných skládkach alebo smetiskách, môžu nebezpečné látky unikať do podzemných vôd, dostať sa do potravinového reťazca a poškodzovať zdravie.

SK

ODSTRÁŇOVANIE PROBLÉMOV

PROBLÉM	PRÍČINA	RIEŠENIE
Strunová kosačka sa nespustí.	<ul style="list-style-type: none"> ■ Akumulátor nie je pripojený na pohonnú hlavu. ■ Bez elektrického kontaktu medzi pohonnou hlavou a akumulátorom. ■ Akumulátor je vybitý. ■ Poistná páčka a spínač nie sú súčasne stlačené. 	<ul style="list-style-type: none"> ■ Pripojte akumulátor na pohonnú hlavu. ■ Vyberte batériu, skontrolujte kontakty a vložte akumulátor, pokiaľ nezapadne na svoje miesto. ■ Nabite akumulátor pomocou nabíjačiek EGO, ktoré sú uvedené v tomto návode na obsluhu. ■ Pre zapnutie strunovej kosačky zatlačte poistnú páčku a podržte ju, potom stlačte vypínač.
Strunová kosačka sa zastaví pri kosení.	<ul style="list-style-type: none"> ■ Chránič nie je namontovaný na kosačke, čo spôsobuje príliš dlhý rez a preťaženie motora. ■ Je použitá príliš ťažká struna. ■ Tráva sa namotala na hriadeľ motora alebo hlavu kosačky. ■ Motor je preťažený. ■ Akumulátor alebo strunová kosačka sú príliš horúce. ■ Akumulátor je odpojený od nástroja. ■ Akumulátor je vybitý. 	<ul style="list-style-type: none"> ■ Vyberte akumulátor a namontujte chránič na kosačku. ■ Používajte odporúčanú štandardnú nylonovú strunu s priemerom najviac 2,4 mm. ■ Zastavte kosačku, vyberte batériu a odstráňte trávu z hriadeľa motora a hlavy kosačky. ■ Vytiahnite hlavu kosačky z trávy. Motor sa rozbehne, keď sa preťaženie odstráni. Pri kosení pohybujte hlavou kosačky dovnútra a von z trávy tak, aby sa pokosila a odstránila najviac 20 cm dĺžka v jednom reze. ■ Nechajte akumulátor alebo strunovú kosačku vychladnúť, kým teplota neklesne pod 67°C . ■ Znovu vložte akumulátor. ■ Nabite akumulátor pomocou nabíjačiek EGO, ktoré sú uvedené v tomto návode na obsluhu.

SK

PROBLÉM	PRÍČINA	RIEŠENIE
Strunová hlava nevysúva strunu.	<ul style="list-style-type: none"> ■ Tráva sa namotala na hriadeľ motora alebo hlavu kosačky. ■ Na cievke nie je dostatok struny. ■ Strunová hlava je znečistená. ■ Struna je zamotaná na cievke. ■ Struna je príliš krátka. 	<ul style="list-style-type: none"> ■ Zastavte kosačku, vyberte batériu a odstráňte trávu z hriadeľa motora a hlavy kosačky. ■ Vyberte batériu a vymeňte strunu; postupujte podľa časti „VÝMENA STRUNY“ v tomto návode na obsluhu. ■ Vyberte batériu a vyčistite cievku, držiak cievky a základňu cievky. ■ Vyberte batériu a vymeňte strunu; postupujte podľa časti „VÝMENA STRUNY“ v tomto návode na obsluhu. ■ Vyberte batériu a vytiahnite strunu a zároveň striedavo pritlačajte gombík hlavy.
Tráva obaľuje hlavu kosačky a kryt motora.	<ul style="list-style-type: none"> ■ Kosenie vysokej trávy na úrovni terénu. 	<ul style="list-style-type: none"> ■ Koste vysokú trávu zhora nadol, pri každom prechode odstraňujte najviac 20 cm, aby nedošlo k namotaniu.
Čepeľ nereže strunu..	<ul style="list-style-type: none"> ■ Strunová čepeľ na okraji chrániča sa otúpila. 	<ul style="list-style-type: none"> ■ Naostríte strunovú čepeľ pilníkom, alebo ju vymeňte za novú čepeľ.
Praskliny na strunovej hlave alebo uvoľnený držiak cievky v základni.	<ul style="list-style-type: none"> ■ Strunová hlava je opotrebovaná 	<ul style="list-style-type: none"> ■ Ihneď vymeňte strunovú hlavu; postupujte podľa časti „VÝMENA STRUNOVEJ HLAVY“ v tomto návode na obsluhu.
Pri výmene sa struna nedá správne vložiť do strunovej hlavy.	<ul style="list-style-type: none"> ■ Značky LOAD nie sú zarovnané s očkami na základni cievky. ■ Struna nie je správne vložená do montážneho otvoru v očku. 	<ul style="list-style-type: none"> ■ Otočte držiak cievky v smere šípky, vyrovajte značky LOAD na držiaku cievky s očkami na základni cievky. ■ Najprv vyrovajte značky LOAD s očkami, potom vložte strunu do montážneho otvoru vnútri očka.

SK

ZÁRUKA

ZÁRUČNÁ POLITIKA EGO

Navštívte webové stránky egopowerplus.com pre úplné podmienky záručnej politiky spoločnosti EGO.

OLVASSA EL AZ ÖSSZES UTASÍTÁST!



OLVASSA EL A HASZNÁLATI ÚTMUTATÓT

⚠ Maradék kockázat! Az elektronikus készülékekkel, például pacemakerrel, élő emberek a termék használata előtt kérjék ki orvos véleményét. Az elektromos felszerelés a szív pacemakerhez közel való működtetése interferenciát vagy meghibásodást okozhat a pacemakerben.

⚠ FIGYELMEZTETÉS: A biztonságosság és megbízhatóság biztosítása érdekében minden javítást szakképzett szerviztechnikus hajtson végre.

BIZTONSÁGI SZIMBÓLUMOK

A biztonsági szimbólumok célja, hogy felhívják a figyelmet az esetleges veszélyekre. Nagyon figyeljen a biztonsági szimbólumokra és magyarázatokra, ill. ezek megértésére. A szimbólumok figyelmeztetései önmagukban nem hárítják el a veszélyeket. Az utasítások és figyelmeztetések nem helyettesítik a megfelelő balesetmegelőző intézkedéseket.

⚠ FIGYELMEZTETÉS: A szerszám használata előtt feltétlenül olvassa el a jelen használati útmutató minden biztonsági utasítását, a „VESZÉLY”, „FIGYELMEZTETÉS” és „FIGYELEM” biztonsági szimbólumokat is. Az alább felsorolt utasítások be nem tartása áramütést, tűzveszélyt és/vagy súlyos személyi sérülést idézhet elő.

SZIMBÓLUM JELENTÉSE

⚠ BIZTONSÁGI SZIMBÓLUM: VESZÉLYT vagy **FIGYELMEZTETÉST** jelöl. Más szimbólumokkal vagy rajzokkal együtt használható.



⚠ FIGYELMEZTETÉS: Bármely elektromos kéziszerszám működtetése azzal járhat, hogy idegen tárgyak szembe kerülnek, amely súlyos szemsérüléseket okozhat. Az elektromos kéziszerszám működtetése előtt, mindig vegyen fel oldalsó védőlemezrel ellátott védőszemüveget és a teljes védőárlarcot, ha szükséges. Javasoljuk, hogy viseljen Wide Vision Safety Mask-ot (védőárlarc) a védőszemüveg fölött vagy standard védőszemüveget oldalsó védőlemezrel.

BIZTONSÁGI UTASÍTÁSOK

Ezen az oldalon olyan biztonsági szimbólumok láthatók és olvashatók, amelyek megjelenhetnek a terméken. Az összeszerelés vagy működtetés előtt olvassa el, értse meg és tartsa be a gép minden utasítását.

	Biztonsági figyelmeztetés	Potenciális személyi sérülés veszélyét jelzi.
	Olvassa el a használati útmutatót	A sérülések kockázatának csökkentése érdekében a használatnak a termék használata előtt el kell olvasnia, és meg kell értenie a használati útmutatót.
	Viseljen szemvédőt	Mindig viseljen védőszemüveget vagy oldalsó védőlemezrel ellátott védőszemüveget és teljes védőárlarcot a termék működtetése közben.
	Viseljen fülvédőt	Mindig viseljen hallásvédőt (füldugót vagy hallásvédőt) a hallása védelme érdekében.
	Viseljen fejdédőt	Viseljen hivatalos biztonsági kemény sisakot a feje védelme érdekében.
	Viseljen védőkesztyűt	Védje a kezét kesztyűvel, amikor a pengét vagy pengevédőt kezeli. A nagy teherbírású, csúszásmentes kesztyű segít a fogásban, és védi a kezét.
	Viseljen védő lábbelit.	Viseljen csúszásálló cipőt, amikor a készüléket használja.
	Vágásszélesség	A fűkasza max. vágásszélessége
	Vezeték átmérője	A nylon vágószál átmérője
	Nem vágópenge	Ne szereljen fel fém vagy műanyag vágópengét.

HU

	Tartsa távol a nézelődőket	Ügyeljen arra, hogy más személyek és a háziállatok legalább 15 m távolságban legyenek a motoros láncfűrész használata közben.
	Tartsa távol a nézelődőket	Ügyeljen arra, hogy más személyek és a háziállatok legalább 15 m távolságban legyenek a motoros láncfűrész használata közben.
	Nem kerek penge	Ne szereljen fel kerek vágópengét.
	CE	A termék megfelel az érvényes EK irányelveknek.
	WEEE	Az elhasznált elektromos termékek nem helyezhetők a háztartási hulladék közé. Vigye hivatalos újrahasznosító telephelyre.
	Zaj	Garantált hangteljesítményszint. Környezetre ható zajkibocsátás a Európai Közösség irányelve szerint.
V	Volt	Feszültség
mm	Milliméter	Hossz vagy méret
cm	centiméter	Hossz vagy méret
kg	kilogramm	Súly

AZ ELEKTROMOS SZERSZÁMOKRA VONATKOZÓ ÁLTALÁNOS BIZTONSÁGI FIGYELMEZTETÉSEK

▲ FIGYELMEZTETÉS: Olvassa el az elektromos kéziszerszámhoz mellélt összes biztonsági figyelmeztetést, utasítást, ábrát és specifikációt. Az alább felsorolt utasítások be nem tartása áramütést, tűzveszélyt és/vagy súlyos sérülést idézhet elő.

Őrizzen meg minden figyelmeztetést és utasítást, hogy később is elő tudja majd venni.

Az „elektromos kéziszerszám” megnevezés a figyelmeztetésekből egyaránt vonatkozik a hálózati feszültségről meghajtott elektromos kéziszerszámokra (hálózati vezetékkel rendelkező elektromos kéziszerszámok), valamint az akkumulátorról működtetett elektromos kéziszerszámokra (hálózati vezeték nélküli elektromos kéziszerszámok).

MUNKATERÜLET BIZTONSÁG

- **A munkaterület legyen tiszta és jól megvilágított.** A munkahelyen uralkodó rendetlenségnek vagy a rossz megvilágításnak baleset lehet a következménye.
- **Ne használjon elektromos szerszámokat robbanási veszélynek kitett környezetben, például olyan helyen, ahol éghető folyadékok, gázok vagy porok találhatók.** Az elektromos kéziszerszámok szikrákat képeznek, amelyek meggyújthatják a porokat vagy gázokat.
- **Tartsa távol a gyermekeket és az illetéktelen személyeket, amikor elektromos kéziszerszámmal dolgozik.** Ha megzavarják, elveszítheti uralmát a készülék felett.

SZEMÉLYI BIZTONSÁG

- **Legyen figyelmes, ügyeljen arra, amit csinál, és józan ésszel fogjon a munkához, ha elektromos kéziszerszámmal használ.** Ne használjon elektromos kéziszerszámmal, ha fáradt, kábítószert, alkoholt vagy gyógyszer befolyása alatt áll. Az elektromos kéziszerszám üzemeltetése közben egy pillanatnyi figyelmetlenség is súlyos személyi sérülést okozhat.
- **Használjon személyi védőfelszerelést. Mindig viseljen védőszemüveget.** A védőfelszerelések, mint például porvédő maszk, csúszásmentes lábbeli, sisak és hallásvédő, rendeltetésszerű használata révén elkerülheti a sérülési veszélyeket.
- **Akadályozza meg a véletlen indítást. Ügyeljen arra, hogy a kapcsoló kikapcsolt állásban legyen, mielőtt tápforrásra és/vagy akkumulátoregységre csatlakoztat, felveszi vagy viszi a szerszámmal.** Balesetekhez vezethet, ha a hálózatra csatlakoztatott szerszámmal úgy viszi, hogy közben az ujjja a bekapcsoló gombon van, vagy ha a hálózati csatlakozódugót olyankor dugja be az aljzatba, amikor be van kapcsolva a szerszám.
- **Vegye ki a szerszámkulcsot és a beállító szerszámmal, mielőtt az elektromos kéziszerszámmal bekapcsolná.** Az elektromos kéziszerszám mozgó alkatrészén felejtett csavar kulcs vagy szerszám személyi sérülést okozhat.

- Ne hajoljon a gép fölé. Vegyen fel stabil testhelyzetet, és mindig tartsa meg az egyensúlyát. Ezáltal jobban tudja irányítani az elektromos kéziszerszámot a legváratlanabb helyzetben is.
- Viseljen megfelelő ruhát. Ne viseljen laza ruházatot vagy ékszereket. Tartsa távol haját, ruházatát és kesztyűjét a mozgó alkatrészekről. A laza ruházatot, az ékszert vagy a hosszú hajat becsíphetik a mozgó alkatrészek.
- Ha az elektromos kéziszerszámot poreszívó vagy porfelfogó eszközzel szerelik fel, akkor győződjön meg arról, hogy ezek előírászerűen vannak-e csatlakoztatva, és használja őket a rendeltetésüknek megfelelően. Porgyűjtő használata csökkentheti a porral járó veszélyeket.
- Ne hagyja, hogy a rendszeres használat során megszerzett tapasztalat miatt önteltté váljon, és emiatt figyelmen kívül hagyja a biztonsági irányelveket. Egy óvatlan cselekedet a másodperc töredéke alatt súlyos sérülést okozhat.

A KÉZI SZERSZÁMGÉP ÜZEMELTETÉSE ÉS GONDOZÁSA

- Ne terhelje túl az elektromos kéziszerszámot. A munkájához használja az arra alkalmas elektromos kéziszerszámot. A megfelelő elektromos kéziszerszámmal jobban és biztonságosabban dolgozhat a megadott teljesítményhatárokon belül.
- Ne használja az elektromos kéziszerszámot, ha nem lehet a bekapcsoló segítségével be- vagy kikapcsolni. Az olyan elektromos kéziszerszám, amely nem irányítható a kapcsolóval, veszélyes és javításra szorul.
- A használaton kívüli elektromos kéziszerszámokat gyermekektől távol tartsa, és ne engedje meg, hogy olyan személyek használják az elektromos kéziszerszámot, akik nem ismerik azt, vagy nincsenek tisztában ezekkel a biztonsági utasításokkal. Az elektromos kéziszerszámok veszélyt jelentenek a gyakorlatlan felhasználó kezében.
- Gondosan ápolja az elektromos szerszámot és tartozékait. Ellenőrizze a mozgó részek beállítását és rögzítését, vizsgáljon meg minden részt, nem sérült-e, és ellenőrizze, nem állnak-e fenn olyan körülmények, amelyek befolyásolhatják az elektromos kéziszerszámok helyes kezelését. Használat előtt javíttassa meg a sérült elektromos kéziszerszámot. A rosszul karbantartott elektromos kéziszerszámok sok balesetet okoznak.

- A vágószerszámok legyenek mindig élesek és tiszták. A megfelelően karbantartott és kiélezett vágószékekkel rendelkező vágószerszámok kevésbé hajlamosak az elgörbülésre, valamint könnyebben kezelhetők.
- Az elektromos kéziszerszámot, tartozékot, vágóféléteket, stb. mindig ezen biztonsági utasításoknak megfelelően használja, mindig vegye figyelembe a munkakörülményeket, és legyen tekintettel a megmunkálandó munkadarabra. Az elektromos kéziszerszámoknak az előírt rendeltetési céltól eltérő célra való használata veszélyes.
- Tartsa szárazon, tisztán, olajtól és zsirtól mentesen a fogantyúkat és a tartófelületeket. A csúszós fogantyúk és tartófelületek miatt a szerszám kezelése és vezérése váratlan helyzetekben nem biztonságos.
- Tartsa távol a kábeleket, vezetéseket a szerszám munkaterületétől. Használat közben előfordulhat, hogy a kábelek nem láthatók, és azokat véletlenül megrongálhatja a szerszám.

AZ AKKUMULÁTORRAL MŰKÖDŐ SZERSZÁM ÜZEMELTETÉSE ÉS GONDOZÁSA

- Csak a gyártó által meghatározott töltőt használja. Az olyan töltő, amely egy típusú akkumulátoregységhez alkalmas, tűzveszélyt okozhat, ha más típusú akkumulátoregységhez használja.
- Az elektromos kéziszerszámokat csak speciálisan meghatározott akkumulátoregységekkel használja. Bármely más akkumulátoregység használata sérülés- vagy tűzveszélyt okozhat.
- Amikor nem használja az akkumulátoregységet, tartsa távol más fémtárgyaktól, például gemkapocs, érmék, kulcsok, tűk, csavarok vagy más kis fémtárgyak, amelyek kapcsolatba léphetnek vele. Amennyiben együtt tartja az akkumulátorokat, az égési sérülést vagy tüzet okozhat.
- Nem megfelelő körülmények között folyadék szivároghat az akkumulátorból; ne érjen ehhez. Amennyiben véletlenül hozzáérne, mossa le vízzel. Ha ez a folyadék szembe kerül, kiegészítőleg forduljon orvoshoz. Az akkumulátorból kiszivárgó folyadék irritációt vagy égést okozhat.
- Ne használjon sérült vagy módosított akkumulátoregységet vagy szerszámot. A sérült vagy módosított akkumulátorok előre nem látható viselkedést válthatnak ki, amelynek eredménye tűz vagy sérülésveszély lehet.
- Ne tegye ki az akkumulátoregységet tűznek vagy túlzott hőmérsékletnek. Ha tűznek, vagy 100 °C feletti hőmérsékletnek teszi ki, akkor felrobbanhat.

- **Tartsa be a töltési utasításokat, és ne töltse az akkumulátoregységet vagy a szerszámot az utasításokban meghatározott hőmérséklet-tartományon kívül.** A nem megfelelő vagy a meghatározott hőmérséklet-tartományon kívüli töltés megrongálhatja az akkumulátort, és növeli a tűzveszélyt.

SZERVIZ

- **Az elektromos kéziszerszámot szakképzett személlyel, eredeti cserealkatrész felhasználásával javíttassa meg.** Ezzel biztosítja az elektromos kéziszerszám biztonságának fenntartását.
- **Soha ne szervizeljen sérült akkumulátoregységet.** Az akkumulátoregységet csak a gyártó vagy felhatalmazott szerviz szolgáltató szervizelheti.

▲ FIGYELMEZTETES: Olvassa el az elektromos kéziszerszámhoz mellékelt összes biztonsági figyelmeztetést, utasítást, ábrát és specifikációt. Az alább felsorolt utasítások be nem tartása áramütést, tűzveszélyt és/vagy súlyos sérülést idézhet elő. Őrizzon meg minden figyelmeztetést és utasítást, hogy később is elő tudja majd venni.

Őrizzon meg minden figyelmeztetést és utasítást, hogy később is elő tudja majd venni.

GYAKORLÁS

- Körültekintően olvassa el az utasításokat. Ismerje meg a gép szabályozását és helyes használatát.
- Ne engedélyezze a készülék használatát gyermekeknek vagy olyan személyeknek, akik nem ismerkedtek meg az utasításokkal. A helyi rendelkezések korlátozásokat tartalmazhatnak a szerszám működtetőjének életkorára vonatkozóan.
- Ne feledje, hogy a szerszám működtetője a felelős azokért a balesetekért vagy veszélyekért, amelyek más embereket érintenek vagy mások vagyontárgyait érintik.

ELŐKÉSZÜLETEK

- Soha ne működtesse a gépet, ha emberek, különösen gyermekek, vagy kis állatok vannak a közelben.
- A gép működtetése közben mindig viseljen védőszemüveget és vastag talpú cipőt.
- A gép és a nézelődők közötti távolság legalább 15 m legyen.
- Ne működtesse a gépet, ha a gépkezelő fáradt, beteg, illetve ha alkohol vagy kábítószerek hatása alatt áll.

MŰKÖDÉS

- Csak nappali világosságnál vagy megfelelő mesterséges megvilágítás mellett használja a terméket.

- Soha ne üzemeltesse a gépet sérült védőelemekkel vagy pajzsokkal vagy a helyükön lévő védőelemek és pajzsok nélkül.
- A motort csak akkor kapcsolja be, ha a kezei és lábai távol vannak a vágóeszközöktől.
- Mindig válassza le a gépet a tápellátásról (azaz vegye le az akkumulátoregységet),
 - ha a gépet felügyelet nélkül hagyja;
 - mielőtt megszüntetné az eltömődést;
 - mielőtt ellenőrzi, tisztítja vagy bármilyen más munkát végez a gépen;
 - ha idegen tárgyba ütközött;
 - ha a termék szokatlan módon elkezd rázkódni.
- Legyen óvatos, nehogy a vágószerszám megsebesítse a kezét vagy lábát.
- Mindig gondoskodjon arról, hogy a szellőzőnyílások hulladéktól mentesek legyenek.

KARBANTARTÁS ÉS TÁROLÁS

- Mindig válassza le a gépet a hálózati aljzatról (pl. távolítsa el az akkumulátoregységet) karbantartás vagy tisztítás előtt.
- Csak a gyártó által javasolt pótalkatrészeket és tartozékokat használja.
- Rendszeresen ellenőrizze a gépet, és végezzen karbantartást. A gép javítását csak felhatalmazott szerelő végezheti el.
- Gyermekek által hozzá nem férhető helyen tárolja a gépet, amikor nem használja azt.

EGYÉB BIZTONSÁGI UTASÍTÁSOK

- **Kerülje a veszélyes környezetet** – ne használja a berendezéseket nedves vagy vizes lejtőn.
- **Tartsa a helyén és működőképesen a védőburkolatot.**
- **A kezét és lábát tartsa távol a vágási területtől.**
- **A sérülések kockázatának csökkentése érdekében soha ne dolgozzon létrán vagy más nem biztonságos támasztékon. Soha ne tartsa a vágóegységet derékmagasságon felül.**
- **Működés közben ellenőrizze a vágóegységet rendszeresen, rövid időközönként, vagy azonnal, ha látható a vágás láthatóan megváltozik.**
- **A legjobb eredmény elérése érdekében az akkumulátort olyan helyiségben töltsen, ahol a hőmérséklet 5 °C-nál magasabb és 40 °C-nál alacsonyabb.** Ne tárolja kültéren vagy járművekben.
- **Amikor Ön felé közeledik valaki, állítsa le a motort és a vágóegységet.**
- **Figyelmeztesse a kezelőt a penge lökörejére (csak 3 fogú pengére szerelhető).**

HU

- A penge akkor kaphat lökést, ha olyan tárgyba ütközik, amelyet nem tud azonnal elvágni.
- A penge lökése révén az egység és/vagy a kezelő bármely irányba elfordulhat, és egyensúlyát veszítheti.
- A penge előzetes jel nélkül is lökőerőt fejthet ki, ha a penge elakad, leáll vagy megakad.
- A penge nagyobb valószínűséggel fejt ki lökőerőt, olyan területeken, ahol nehezen látható a vágandó anyag.
- **Ne csatlakoztasson pengét az egységre, amíg minden szükséges alkatrész megfelelően fel nincs szerelve. Amennyiben nem megfelelő alkatrészeket használ, akkor a penge lerepülhet, és súlyos sérüléseket okozhat a kezelőnek és/vagy nézelődőknek. A behajolt, repedt, törött vagy sérült pengét ártalmatlanítsa. Használjon éles pengét. A tompa penge nagyobb valószínűséggel akad el, és fejt ki lökőerőt (csak 3 fogú pengével való használat).**
- A leálló penge/vágószál sérülést okozhat, miközben még forog, miután a motor leállt, vagy megnyomta a triggeret. Tartsa meg az irányítást, amíg a penge/vágószál teljesen abba nem hagyta a forgást.
- Az akkumulátorral működő szerszámokat nem kell hálózati aljzathoz csatlakoztatni; ezért mindig működőképes állapotban vannak. Ügyeljen a lehetséges veszélyekre, akkor is, ha a szerszám nem működik. Legyen óvatos karbantartás és szervizelés közben.
- **Ne mossa tömlővel; ne kerüljön víz a motorba és az elektromos csatlakozásokba.**
- Amennyiben olyan helyzet adódik, amely nem szerepel a jelen használati útmutatóban, akkor óvatosan és kellő mérlegeléssel cselekedjen. Forduljon az EGO ügyfélszolgálatához segítségért.
- Csak az A.ábrán felsorolt akkumulátoregységeket és töltőket használja.

HU

ŐRIZZE MEG EZEKET AZ UTASÍTÁSOKAT

MŰSZAKI ADATOK

Vágómechanizmus	Ütköző fej
Vezeték átmérője	2,4 mm nylon sodort vágószál
Vágásszélesség	38 cm
Üresjáratú fordulatszám	5000/6000 min ⁻¹
Súly (akkumulátoregység nélkül)	1,59 kg
Javasolt működési hőmérséklet	0°C-40°C
Javasolt tárolási hőmérséklet	-20°C-70°C

Mért hangteljesítményszint L _{WA}	94,6 dB(A) K=1,80 dB(A)	
Max. Hangnyomásszint a kezelő fülénél L _{PA}	83,2 dB(A) K=3 dB(A)	
Nivel de putere sonoră garantat L _{WA} (măsurat în conformitate cu 2000/14/CE)	96 dB(A)	
Vibrații a _h	Elülső segédfogantyú	1,1 m/s ² K=1,5 m/s ²
	Hátsó fogantyú	1,4 m/s ² K=1,5 m/s ²

- A fenti paraméterek PH1400E meghajtófejjel felszerelve kerültek tesztelésre és mérésre.
- Valoarea totală declarată a vibrațiilor a fost măsurată în conformitate cu o metodă standard de testare și poate fi utilizată pentru compararea sculelor între ele;
- Valoarea totală declarată poate fi utilizată în evaluarea preliminară a expunerii.

OBSERVAȚIE: Vibrațiile emise în timpul utilizării efective a sculei electrice pot diferi față de valoarea celor declarate pentru scula utilizată; Pentru protejarea operatorului, utilizatorul trebuie să poarte mănuiși și protecții auditive în timpul utilizării efective a produsului.

CONȚINUTUL AMBALAJULUI

DENUMIRE PIESĂ	CANTITATE
Fűkaszálo tartozék	1
Védőburkolat	1
Imbuszkulcs	1
Multifunkciós csavarkulcs	1
Manual de instrucțiuni	1

A javasolt vágószálat kérjük, nézze meg az egopowerplus.com honlapon, vagy az EGO termékatalógusban.

DESCRIERE

ISMERJE MEG A FŰKASZÁLO TARTOZÉKOT(A ábra)

1. Zárósapka
2. Fűkaszálo tengely
3. Vágószál
4. Fűkaszálo fej (ütköző fej)
5. Kioldógomb
6. Vágópenge
7. Védőburkolat
8. Imbuszkulcs

9. Multifunkciós csavarkulcs

⚠ FIGYELMEZTETÉS: Soha ne működtesse a szerszámot, ha a védőburkolat nincs megfelelően a helyén. A védőburkolatnak mindig a szerszámon kell lennie a használó védelme érdekében.

ÖSSZESZERELÉS

⚠ FIGYELMEZTETÉS: Ha bármely alkatrész sérült vagy hiányzik, akkor ne működtesse a terméket, amíg az alkatrészeket ki nem cserélik. Sérült vagy hiányzó alkatrészekkel való használat súlyos személyes sérülést okozhat.

⚠ FIGYELMEZTETÉS: Ne próbálja megváltoztatni a fűkaszt, és ne készítsen hozzá tartozékokat, amelyek nem javasoltak ehhez a láncfűrészhez. Bármilyen módosítás vagy változtatás helytelen használatnak minősül, és veszélyes feltételeket teremthet, amely súlyos személyi sérüléssel végződhet.

FIGYELMEZTETÉS: Ne csatlakoztassa a meghajtófejet, amíg az összeszerelés nem teljes. Amennyiben ezt nem tartja be, akkor véletlenül bekapcsolhatja a készüléke, amely súlyos személyi sérülést okozhat.

A VÉDŐBURKOLAT ÖSSZESZERELÉSE

⚠ FIGYELMEZTETÉS: Mindig viseljen kesztyűt, amikor felszereli vagy kicseréli a védőburkolatot. Legyen óvatos a védőburkolat alatt lévő pengével, és védje a kezét a penge vágásától.

Lazítsa meg, és vegye le a két csavart a tengely talpán (C ábra), illessze a rögzítőfuratokat a szerelési lyukakba, majd rögzítse a védőburkolatot a tengely talpához a két csavarral és két rugós alátéttel (D ábra).

Ellenőrizze, hogy a védőburkolat a B és C ábrának megfelelően rögzítve van-e, a fordított rögzítés nagy veszélyt okozhat!

FŰKASZA TARTOZÉK RÖGZÍTÉSE A MEGHAJTÓFEJRE

A fűkasza tartozékot EGO PH1400E meghajtófejhez tervezték.

Lásd az „**ALKATRÉSZ CSATLAKOZTATÁSA A MEGHAJTÓFEJHEZ**” fejezetet a PH1400E meghajtófej használati útmutatójában.

MŰKÖDTETÉS

⚠ FIGYELMEZTETÉS: Ne hagyja, hogy a termékkel szerzett jártassága miatt óvatlanná váljon. Emlékezzon arra, hogy a másodperc töredéke alatt történő óvatlanság súlyos sérülést okozhat.

⚠ FIGYELMEZTETÉS: Mindig viseljen védőszemüveget és hallásvédőt. Amennyiben nem ezt teszi, tárgyak repülhetnek a szemébe, és más komoly sérülések keletkezhetnek.

ALKALMAZÁSOK

A terméket az alábbi célokra használhatja:

- Kapualjak, kerítések és burkolatok körül lévő fű és dudva vágásához.

MEGJEGYZÉS: A szerszámot csak az előírt célokra használja. Bármilyen más használat helytelen használatnak minősül.

VA sérült/kopott alkatrészek ellenőrzése minden használat előtt

Ellenőrizze a fűkasza fejet, védőburkolatot és első segédfogantyút, és cserélje ki a repedt, behajolt vagy sérült alkatrészeket.

A védőburkolat szélén lévő vágópenge egy idő után tompa lehet. Javasoljuk, hogy időnként élezze meg reszelővel, vagy cserélje ki új pengére.

⚠ FIGYELMEZTETÉS: Mindig viseljen kesztyűt, amikor felszereli vagy kicseréli a védőburkolatot, illetve megélezi vagy kicseréli a pengét. Jegyezze meg a penge helyét a védőburkolat alatt, és óvja a kezét sérülésektől.

⚠ FIGYELMEZTETÉS: A súlyos személyi sérülések elkerülése érdekében távolítsa el az akkumulátoregységet a meghajtófejből szervizelés, tisztítás, tartozékok cseréje vagy anyagok szerszámból való eltávolítása közben.

FŰKASZA TARTOZÉK HASZNÁLATA A MEGHAJTÓFEJRE

⚠ FIGYELMEZTETÉS: Megfelelően öltözzön fel a sérülések kockázatának csökkentése érdekében, amikor a szerszámot működteti. Ne viseljen laza ruházatot vagy ékszereket. Viseljen védőszemüveget és fülvédőt; Viseljen erős, hosszú szárú nadrágot, cipőt és kesztyűt. Ne viseljen rövidnadrágot vagy szandált, és ne járjon mezítláb.

HU

▲ FIGYELMEZTETÉS: Minden használat előtt tisztítsa meg a nyírándó területet. Távolítsa el minden tárgyat, pl. követ, törött üveget, tűt, vezetéket vagy zsinórt, amely beakadhat a vágóegységbe. A területen ne legyenek gyermekek, nézelődők vagy állatok. Minden nézelődő, gyermek és állat legalább 15 m távolságban legyen; még így fennáll a veszélye, hogy tárgyak repülnek a nézelődők felé. A nézelődők is viseljenek védőszemüveget. Amikor Ön felé közeledik valaki, azonnal állítsa le a motort és a vágóegységet.

A biztonságos és jobb működés érdekében helyezze fel a vállszíjat a vállán keresztben. A vállszíjat kényelmes működtetési pozícióba állítsa. A fűkaszát mindig az egyik kezével a hátsó fogantyún és a másik kezével az első fogantyún tartsa. A szerszámot működtetés közben mindig erősen fogja. A fűkaszát kényelmes pozícióban tartsa, a hátsó fogantyú körülbelül csipőmagasságban legyen. A fűkasza fej párhuzamos legyen a talajjal, hogy könnyen érintkezzen a nyírándó anyaggal, anélkül, hogy a kezelőnek felé kellene hajolnia (B ábra).

▲ FIGYELMEZTETÉS: A vállszij gyorskioldó mechanizmus is veszélyes helyzetben. Ha vészhelyzet adódik, akkor azonnal vegye le a válláról, függetlenül attól, hogy van feltéve a szij.

Minden használat után tisztítsa meg a fűkaszát

Lásd a KARBANTARTÁS fejezetben lévő tisztítási utasításokat.

A KÉSZÜLÉK INDÍTÁSA/LEÁLLÍTÁSA

Lásd „A MEGHAJTÓFEJ INDÍTÁSA/LEÁLLÍTÁSA” fejezetet a PH1400E meghajtófej használati útmutatójában.

A VÁGÁS HOSSZÁNAK BEÁLLÍTÁSA

A fűkasza fej lehetővé teszi a kezelőnek, hogy a motor leállítása nélkül oldjon ki vágószálat. Ha a szál kopott vagy elhasználódott, akkor kiegészítő szál oldható ki, ha enyhén megnyomja az orsó rögzítőelemét a fűkasza fej működése közben (E ábra).

MEGJEGYZÉS: A vágószál kioldása egyre nehezebb, ha a vágószál rövidebb lesz.

▲ FIGYELMEZTETÉS: Ne távolítsa el, és ne változtassa meg a vágóegységet. A felesleges hossz miatt a motor túlmelegszik, amely súlyos sérülést okozhat.

VÁGÓSZÁL CSERÉJE

MEGJEGYZÉS: Mindig a javasolt nylon vágószálat használja, amelynek átmérője nem használja meg a 2,4 mm-t. Ha nem ilyet használ, akkor a fűkasza túlmelegedhet, vagy megsérülhet.

▲ FIGYELMEZTETÉS: Soha ne használjon fémmel merevített szálat, zsinórt, vezetéket stb. Ezek eltörhetnek, és veszélyesek lehetnek a szétröppenő részek miatt.

1. Vegye le az akkumulátoregységet
2. Vegye le a maradék vágószálat, ha szükséges. Egyszerűen húzza ki kézzel.
3. Vágjon le 4 m hosszú vágószálat. Helyezze a vágószálat a fűzőlyuk rögzítőlyukának belsejébe (F ábra). Húzza és tolja a vágószálat a másik oldalról, amíg egyenlő mennyiség nincs az orsó két oldalán.
4. Nyomja, miközben az orsó rögzítőelemét a nyíl irányába forgatja, hogy a vágószálat az orsóra tekerje, amíg körülbelül 14 cm nem marad mindkét oldalon (G ábra).
5. Nyomja le az orsó rögzítőelemét, miközben húzza a vágószálat, hogy kézzel beállítsa, és ellenőrizze a fűkasza fej megfelelő összeszerelését.

Ha a vágószál kiszakad a vágószál kimenetből, vagy a vágószál nem oldódik ki, ha a fűkasza fej beakadt, akkor kövesse az alábbi lépéseket:

1. Vegye le az akkumulátoregységet.
2. Nyomja meg a kioldógombot az orsó rögzítőelemén, és távolítsa el az orsó rögzítőelemet úgy, hogy kihúzza (H és I ábra).
3. Távolítsa el a vágószálat az orsó rögzítőelemből.
4. Az egyik kezével tartsa az orsó rögzítőelemét, a másik kezével fogja meg az orsó rögzítőelemet, és illessze az orsó rögzítőelemen lévő gombokat az orsó alap lyukaiba (J ábra). A tenyerével nyomja le, és fordítsa el az orsó rögzítőelemet balra és jobbra, amíg a gombok az orsó alapba nem kattannak (K ábra).
5. A vágószál újratöltéséhez kövesse a „VÁGÓSZÁL CSERÉJE” fejezetet.

Amennyiben a szerszámot fűkaszaként kívánja használni, akkor a fűkasza fej leszereléséhez kövesse az L & M ábrán látható lépéseket.

KARBANTARTÁS

▲ FIGYELMEZTETÉS: Az egység ellenőrzése, tisztítása vagy szervizelése előtt állítsa le a motort, várjon, amíg minden mozgó alkatrész leáll, és vegye ki az akkumulátoregységet. A jelen utasítások be nem tartása súlyos személyi sérülést vagy anyagi kárt eredményezhet.

▲ FIGYELMEZTETÉS: Javitáskor használjon azonos pótalkatrészeket. Más alkatrészek használata veszélyt okozhat, vagy megrongálhatja a terméket. A biztonságosság és megbízhatóság biztosítása érdekében minden, a jelen karbantartási utasításokban nem szereplő javítást és cserét szakképzett szerviztechnikus hajtsa végre.

ÁLTALÁNOS KARBANTARTÁS

A műanyag alkatrészek tisztításához ne használjon oldószereket. A legtöbb műanyag a vegyi oldószerek által deformálódás általi sérülésnek van kitéve, ezek megromlhatják őket. Használjon tiszta ruhát a szennyeződés, por, olaj, zsír stb. eltávolításához.

AZ EGYSÉG TISZTÍTÁSA

- Töröljön le minden fűvet, amely a motor tengelye vagy fűkasza fej köré tekeredett.
- Használjon kis kefét vagy kis porszívó kefét a hátsó burkolat szellőzőnyílásainak megtisztításához.
- Nedves törölruhával és enyhe tisztítószerrel tisztítsa meg az egységet.
- Ne használjon erős tisztítószereket a műanyag burkolaton vagy a fogantyún. Ezek megsérülhetnek a különböző aromaolajaktól, pl. fenyő vagy citrom, és az olyan oldószerektől, mint a kerozin. A nedvesség szintén áramütés veszélyét okozhatja. A nedvességet egy puha, száraz törővel törölje le.

SEBESSÉGVÁLTÓ OLAJÓZÁSA

A szerelvényburkolatban lévő sebességváltót időnként be kell olajozni kenőanyaggal. Ellenőrizze a szerelvényburkolat kenőanyag szintjét minden 50. működési óra után, úgy, hogy leveszi a burkolat oldalán lévő rögzítőcsavart.

Ha nem lát kenőanyagot a burkolat oldalán, akkor kövesse a lenti lépéseket, hogy feltöltse a térfogat 3/4-éig kenőanyaggal.

Ne töltsse fel teljesen a sebességváltót.

1. Tartsa a fűkaszát az oldalán, hogy a rögzítőcsavar felfelé nézzen.
2. Használja a mellékelt multifunkciós csavarkulcsot a rögzítőcsavar meglazításához és levételéhez.
3. Használjon zsírozó fecskendőt (nem tartozék), hogy kenőanyagot vigyen fel a csavar nyílásra; ne lépje túl a 3/4 térfogatot.
4. Befecskendezés után húzza meg a rögzítőcsavart.

AZ EGYSÉG TÁROLÁSA

- Vegye ki az akkumulátoregységet a fűkaszából.
- Tárolás előtt alaposan tisztítsa meg a szerszámot.
- Amennyiben leveszi a fűkasza tartozék a meghajtófejről, és külön tárolja: Helyezze fel a tartozék tengelyre a zárósapkát, hogy ne kerüljön szennyeződés a csatlakozóba.
- Az egységet száraz, jól szellőző, elzárt vagy magas helyen tárolja, ahol gyermekek nem érik el. Ne tárolja az egységet benzin vagy más vegyszerek mellett.

A környezet védelme



Ne dobja az elektromos felszerelést, az akkumulátor töltőt és az akkumulátorokat/újratölthető akkumulátorokat a háztartási hulladékok közé!

Az elektromos és elektronikus berendezések hulladékairól szóló 2012/19/EU európai törvény, amely már nincs érvényben, és az 2006/66/EK európai törvény értelmében a sérült vagy elhasznált akkumulátoregységeket/akkumulátorokat külön kell gyűjteni.

Ha az elektromos berendezéseket talajfeltöltési vagy árokbetömési célokra használják, olyan veszélyes anyagok kerülhetnek belőlük a talajvízbe, majd onnan a táplálkozási láncba, amelyek veszélyeztetik az egészséget.

HIBAELHÁRÍTÁS

PROBLÉMA	A PROBLÉMA OKA	ŘEŠENÍ
Fűkaszáló nem indul.	<ul style="list-style-type: none"> ■ Az akkumulátoregység nincs csatlakoztatva a meghajtófejhez. ■ Nincs elektromos kapcsolat a meghajtófej és az akkumulátoregység között. ■ Az akkumulátoregység lemerült. ■ A kapcsoló gomb és a trigger nem egyidejűleg van megnyomva. 	<ul style="list-style-type: none"> ■ Csatlakoztassa az akkumulátoregységet a meghajtófejhez. ■ Vegye ki az akkumulátoregységet, ellenőrizze a csatlakozást, és helyezze vissza az akkumulátoregységet, amíg a helyén nincsen. ■ Töltse fel az akkumulátoregységet EGO a jelen útmutatóban megadott töltővel ■ Nyomja meg és tartsa lenyomva a kapcsoló gombot, majd oldja ki a triggert a fűkasza bekapcsolásához.
A fűkasza vágás közben leáll.	<ul style="list-style-type: none"> ■ A védőburkolat nincs felszerelve a fűkaszára, amely révén a vágószál túl hosszú, és a motor túlterhelt. ■ Használjon nagy teherbírású vágószálat. ■ A motor tengely vagy fűkasza fej beakadt a fűbe. ■ A motor túlterhelt ■ Az akkumulátoregység vagy a fűkasza túl forró. ■ Az akkumulátoregység ki van véve a szerszámból. ■ Az akkumulátoregység lemerült. 	<ul style="list-style-type: none"> ■ Vegye ki az akkumulátoregységet, és szerelje fel a védőburkolatot a fűkaszára. ■ Használja a javasolt nylon vágószálat, legfeljebb 2,4 mm átmérővel. ■ Állítsa le a fűkaszt, vegye ki az akkumulátort, és távolítsa el a fűvet a motor tengelyről és fűkasza fejről. ■ Távolítsa el a fűvet a fűkasza fejről. A motor újra működőképes, ha a terhet eltávolítja. Vágás közben a fűkasza fejet oda-vissza mozgassa a vágandó fűvön, és 20 cm-nél hosszabb fűvet ne vágjon egy vágással. ■ Hűtse le az akkumulátoregységet vagy a fűkaszt 67 °C alatti hőmérsékletre. ■ Helyezze vissza az akkumulátoregységet. ■ Töltse fel az akkumulátoregységet EGO a jelen útmutatóban megadott töltővel

HU

PROBLÉMA	A PROBLÉMA OKA	ŘEŠENÍ
A fűkasza fej nem enged ki a szálát.	<ul style="list-style-type: none"> ■ A motor tengely vagy fűkasza fej beakadt a fűbe. ■ Nincs elég szál az orsón. ■ A fűkasza fej piszkos. ■ A szál összegabalyodott az orsó rögzítőelemben. ■ A szál túl rövid. 	<ul style="list-style-type: none"> ■ Állítsa le a fűkaszt, vegye ki az akkumulátort, és távolítsa el a fűvet a motor tengelyről és fűkasza fejről. ■ Vegye ki az akkumulátort, és cserélje ki a vágószálat; kövesse a jelen használati útmutató „VÁGÓSZÁL CSERÉJE” fejezetet. ■ Vegye ki az akkumulátort, és tisztítsa meg az orsó rögzítőelemét, orsót és orsó talpát. ■ Vegye ki az akkumulátort, és vegye ki a vágószálat az orsóból, és tekerjen fel újat; kövesse a jelen használati útmutató „VÁGÓSZÁL CSERÉJE” fejezetet. ■ Vegye ki az akkumulátort, és húzza ki a szálát, közben nyomja le, és oldja ki az ütköző gombot.
Fű tekeredett a fűkasza fejre és motorházra.	<ul style="list-style-type: none"> ■ Magas fűvet talajhoz közel vág. 	<ul style="list-style-type: none"> ■ A magas fűvet felülről vágja, egyszerre 20 cm-nél többet ne vágjon, így elkerüli a feltekeredést.
A penge nem vágja el a szálát..	<ul style="list-style-type: none"> ■ A védőburkolat szélén lévő vágópenge egy tompává vált. 	<ul style="list-style-type: none"> ■ Élezze meg a vágópengét reszelővel, vagy cserélje ki új pengére.
A fűkasza fej vagy orsó rögzítőelem repedése miatt az orsó alap meglazult.	<ul style="list-style-type: none"> ■ A fűkasza fej elhasználódott. 	<ul style="list-style-type: none"> ■ Azonnal cserélje ki a fűkasza fejet; kövesse a jelen használati útmutató „FŰKASZA FEJ CSERÉJE” fejezetet.
Csere közben a szálát nem lehet megfelelően a fűkasza fejbe betölteni.	<ul style="list-style-type: none"> ■ Az orsó rögzítőelem BEFŰZŐ szála nem illik az orsó alap fűzőlyukába. ■ A vágószal nem megfelelően van behelyezve a fűzőlyuk rögzítőlyukába. 	<ul style="list-style-type: none"> ■ Forgassa az orsó rögzítőelemét a nyíl irányába, hogy behelyezze a BEFŰZŐ szálát az orsó rögzítőelemébe az orsó alapján lévő fűzőlyukban. ■ Először illessze a BEFŰZŐ szálát a fűzőlyukba, majd helyezze a szálát a fűzőlyuk rögzítőlyukába.

HU

GARANCIA

EGO GARANCIÁLIS FELTÉTELEK

Kérjük, látogasson el az egopowerplus.com oldalra, ahol megtalálja a részletes EGO garanciális feltételeket.

CITIȚI TOATE INSTRUCȚIUNILE!



CITIȚI MANUALUL DE INSTRUCȚIUNI

⚠ Riscuri reziduale! Persoanele cu dispozitive electronice precum stimuloare cardiace ar trebui să-și consulte medicul (medicii) înainte de a utiliza acest produs. Utilizarea unui echipament electric în imediata apropiere a unui stimulator cardiac poate cauza interferențe sau pana stimulatorului.

⚠ AVERTISMENT: Pentru siguranța și fiabilitatea produsului, toate reparațiile ar trebui efectuate de către un tehnician de service autorizat.

SIMBOLURI PRIVIND SIGURANȚA

Scopul simbolurilor privind siguranța este să vă atragă atenția asupra pericolelor posibile. Simbolurile privind siguranța și explicațiile furnizate cu acestea merită atenția și înțelegerea dumneavoastră. Simbolurile de avertizare, ele singure, nu elimină niciun pericol. Instrucțiunile și avertismentele pe care le oferă nu pot înlocui măsurile corecte de prevenire a accidentelor.

⚠ AVERTISMENT: Asigurați-vă că ați citit și înțelegți toate instrucțiunile privind siguranța din acest Manual de utilizare, inclusiv toate simbolurile de alertă privind siguranța precum "PERICOL," "AVERTISMENT," și "ATENȚIE" înainte de a utiliza această sculă. Nerespectarea tuturor avertismentelor și instrucțiunilor poate duce la electrocutare, incendiu și/sau răniri grave.

SEMNIFICAȚIA SIMBOLURILOR

⚠ SIMBOL DE AVERTIZARE PRIVIND SIGURANȚA: Indică PERICOL, AVERTISMENT, sau ATENȚIE, poate fi utilizat împreună cu alte simboluri sau pictograme.



⚠ AVERTISMENT: Operarea oricăror scule electrice poate rezulta în proiectarea înapoi ochii dumneavoastră a unor obiecte străine, ceea ce poate duce la vătămări grave ale ochilor. Înainte de a începe să utilizați scula electrică, întotdeauna purtați ochelari de protecție cu apărători laterale și vizieră facială completă când este nevoie. Vă recomandăm să purtați o Vizieră lată de protecție peste ochelarii de vedere sau ochelari de protecție standard cu apărători laterale.

INSTRUCȚIUNI PRIVIND SIGURANȚA

Această pagină descrie simbolurile de siguranță ce pot apărea pe acest produs. Citiți, înțelegeți, și respectați toate instrucțiunile de pe mașină înainte de a încerca să o asamblați și să o operați.

	Alertă privind siguranța	Indică un risc posibil de vătămare personală.
	Citiți manualul de instrucțiuni	Pentru a reduce riscul de rănire, utilizatorul trebuie să citească și să înțeleagă manualul de instrucțiuni înainte de a utiliza acest produs.
	Purtați echipament de protecție oculară	Purtați întotdeauna ochelari de protecție sau ochelari de protecție cu apărători laterale și o vizieră facială completă când utilizați acest produs.
	Purtați echip-ament de protecție auditivă	Întotdeauna purtați protecții auditive (dopuri de urechi sau antifoane) pentru a vă proteja auzul.
	Purtați echip-ament de protecție a capului	Purtați o cască de protecție aprobată pentru a vă proteja capul.
	Purtați mănuși de protecție	Protejați-vă mâinile cu mănuși când manevrați lama sau apărătoarea acesteia. Mănușile super rezistente, nealunecoase vă îmbunătățesc aderența și vă protejează mâinile.
	Purtați încălțăminte de protecție	Purtați încălțăminte antiderapantă când utilizați acest echipament.
	Lățime de tăiere	Lățimea maximă de tăiere a trimmerului cu fir
	Diametrul firului	Diametrul firului de tăiere din nailon
	Fără lamă rotundă	Nu instalați lame de tăiere rotunde.

	Țineți trecătorii la distanță	Asigurați-vă că terții și animalele de companie se află o distanță de cel puțin 15m de trimmerul cu fir când acesta este în funcțiune.
	Țineți trecătorii la distanță	Asigurați-vă că terții și animalele de companie se află o distanță de cel puțin 15m de trimmerul cu fir când acesta este în funcțiune.
	A nu se expune la ploaie	Nu utilizați acest produs în ploaie și nu-l lăsați în exterior în timp ce plouă.
	CE	Acest produs este în conformitate cu directivele europene aplicabile.
	DEEE	Deșeurile produselor electrice nu trebuie să fie eliminate împreună cu deșeurile menajere. Predați-le unui punct de reciclare autorizat.
	Zgomot	Nivelul puterii sunetului garantat. Emisii sonore în mediul înconjurător conform Directivei comunitare europene.
V	Volt	Voltaj
mm	Milimetru	Lungime sau dimensiuni
cm	Centimetru	Lungime sau dimensiuni
kg	Kilogram	Greutate

INSTRUCȚIUNI GENERALE DE SIGURANȚĂ PENTRU SCULE ELECTRICE

⚠️ AVERTISMENT: Citiți toate instrucțiunile, avertismentele de siguranță, ilustrațiile și specificațiile livrate împreună cu această sculă electrică. Nerespectarea tuturor avertismentelor și instrucțiunilor poate duce la electrocutare, incendiu și/sau accidente grave.

Păstrați toate avertizările și instrucțiunile pentru consultare ulterioară.

Termenul „sculă electrică” din avertizări se referă la scula electrică (cu cablu) alimentată de la rețeaua electrică sau scula electrică (fără cablu de alimentare) care funcționează cu acumulator.

SIGURANȚA ZONEI DE LUCRU

- Păstrați zona de lucru curată și bine iluminată. Zonele dezordonate și întunecoase predispun la accidente.
- Nu puneți în funcțiune sculele electrice în atmosfere explozive, cum ar fi în prezența lichidelor, gazelor sau prafurilor inflamabile. Sculele electrice creează scântei, care pot aprinde praful sau gazele.
- Țineți copiii și persoanele prezente la distanță atunci când operați o sculă electrică. Distragerea atenției vă poate face să pierdeți controlul.

SIGURANȚA PERSONALĂ

- **Păstrați-vă vigilența, urmăriți ceea ce faceți și apelați la bunul simț când utilizați o sculă electrică. Nu utilizați o sculă electrică când sunteți obosit, sau sub influența drogurilor, a alcoolului sau a medicației.** Un moment de neatenție în timp ce utilizați sculele electrice se poate solda cu vătămări grave.
- **Utilizați echipamente de protecție personală. Purtați întotdeauna echipament de protecție oculară.** Echipamentele de protecție, cum ar fi masca de praf, bocancii de protecție antiderapanți, casca sau antifoanele utilizate în condiții corespunzătoare, vor reduce vătămrile corporale.
- **Preveniți pornirea accidentală. Asigurați-vă că întrerupătorul este în poziția oprit înainte de a conecta la o sursă de alimentare și/sau set de acumulatori, înainte de a ridica sau transporta scula.** Transportul sculelor electrice cu degetul pe întrerupător sau cu alimentarea cu energie electrică pornită, predispuie la accidente.
- **Îndepărtați orice cheie de reglare înainte de a porni scula electrică.** O cheie lăsată într-o piesă rotativă a sculei electrice poate duce la accidente.
- **Nu vă întindeți excesiv. Păstrați-vă stabilitatea și echilibrul în orice moment.** Astfel veți avea un mai bun control asupra sculei electrice în situații neașteptate.
- **Îmbrăcați-vă corespunzător. Nu purtați haine largi sau bijuterii. Păstrați-vă părul, îmbrăcămintea și mănușile departe de componentele în mișcare.** Îmbrăcămintea largă, bijuteriile sau părul lung pot fi prinse de piesele în mișcare.

RO

- Dacă sunt furnizate dispozitive pentru conectarea sistemelor de extragere și colectare a prafului, asigurăți-vă că acestea sunt conectate și utilizate corespunzător. Utilizarea dispozitivelor colectoare de praf poate reduce pericolele legate de praf.
- Nu permiteți ca familiaritatea dobândită în urma utilizării frecvente a sculelor să vă facă să neglijați sau să nesocotiți principiile de siguranță ale sculei. O operație neglijentă poate cauza răni grave într-o fracțiune de secundă.

UTILIZAREA ȘI ÎNGRIJIREA SCULELOR ELECTRICE

- **Nu forțați scula electrică. Utilizați scula electrică corespunzătoare pentru aplicația dumneavoastră.** Scula electrică corectă va face o treabă mai bună și mai sigură utilizată conform specificațiilor pentru care a fost concepută.
- **Nu utilizați scula electrică dacă întrerupătorul nu comută pe pozițiile pornit și oprit.** Orice sculă electrică ce nu poate fi controlată cu întrerupătorul este periculoasă și trebuie reparată.
- **Depozitați sculele electrice într-un loc inaccesibil copiilor și nu permiteți utilizarea sculei electrice de persoane nefamiliarizate cu aceasta sau cu aceste instrucțiuni.** Sculele electrice sunt periculoase în mâna utilizatorilor neinstruiți.
- **Întrețineți sculele electrice și accesoriile. Verificați dacă există abateri de la coaxialitate sau îndoiri ale pieselor în mișcare, avarii ale pieselor și orice altă situație care poate afecta funcționarea sculelor electrice.** În caz de deteriorare, reparați scula electrică înainte de utilizare. Multe accidente sunt cauzate de sculele electrice prost întreținute.
- **Mențineți sculele de tăiere ascuțite și curate.** Elementele de tăiere întreținute corespunzător și cu muchii de tăiere ascuțite sunt mai puțin probabil să se îndoie și sunt mai ușor de controlat;
- **Utilizați scula electrică, accesoriile și cuțitele demontabile etc. în conformitate cu aceste instrucțiuni, ținând cont de condițiile de lucru și lucrarea de efectuat.** Utilizarea sculei electrice pentru operații diferite de cele intenționate s-ar putea solda cu o situație periculoasă.
- **Mențineți mânerul și suprafețele de apucat uscate, curate și fără ulei și vaselină.** Mânerul și suprafețele de apucare alunecoase nu permit manevrarea în siguranță și controlul asupra sculei în situații neașteptate.
- **Țineți cablurile la distanță de zona de lucru a sculei.** În timpul funcționării sculei electrice, cablurile electrice pot fi mascate și pot fi tăiate accidental de sculă.

UTILIZAREA ȘI ÎNGRIJIREA ACUMULATORULUI

- **Reîncărcați numai cu încărcătorul specificat de producător.** Un încărcător adecvat pentru un tip de set de acumulatori poate prezenta risc de incendiu dacă este utilizat cu alt set de acumulatori.
- **Utilizați sculele electrice doar cu seturile de acumulatori special menționate.** Utilizarea oricărui alt set de acumulatori prezintă risc de accidente și incendiu.
- **Când setul de acumulatori nu este utilizat, țineți-l departe de alte obiecte metalice precum clamele de hârtie, monedele, cheile, cuiele, șuruburile sau alte obiecte metalice mici care pot realiza o conexiune între borne.** Scurtcircuitarea bornelor bateriei poate produce arsuri sau un incendiu.
- **În condiții abuzive se poate scurge lichid din acumulator; evitați contactul.** Dacă are loc contactul accidental, clătiți cu apă. Dacă lichidul intră în contact cu ochii, efectuați suplimentar un consult medical. Lichidul scurs din acumulator poate produce iritații sau arsuri.
- **Nu utilizați un set de acumulatori sau o sculă avariată sau modificată.** Acumulatorii avariati sau modificați pot prezenta un comportament neprevizibil ceea ce poate cauza incendii, explozii sau accidente.
- **Nu expuneți setul de acumulatori la foc sau la temperaturi excesive.** Expunerea acestuia la foc sau la temperaturi ce depășesc 100 °C poate cauza o explozie.
- **Respectați instrucțiunile de încărcare și nu încărcați setul de acumulatori sau scula în afara intervalului de temperatură specificat în instrucțiuni.** Încărcarea inadecvată sau la temperaturi situate în afara intervalului specificat pot avaria acumulatorul și spori riscul de incendiu.

OPERAȚIILE DE SERVICE

- **Apelați numai la o persoană calificată pentru a vă repara scula electrică utilizând numai piese de schimb identice.** Astfel se asigură menținerea nivelului de siguranță al sculei electrice.
- **Nu efectuați niciodată operații de service asupra seturilor de acumulatori avariati.** Operații de service asupra seturilor de acumulatori trebuie efectuate numai de către fabricant sau de furnizori de service autorizați.

⚠ AVERTIZARE: Citiți toate instrucțiunile, avertizările de siguranță, ilustrațiile și specificațiile livrate împreună cu această sculă electrică. Nerespectarea tuturor instrucțiunilor enumerate mai jos se poate solda cu șoc electric, incendiu și/sau vătămare corporală gravă. Păstrați toate avertizările și instrucțiunile pentru consultare ulterioară.

Păstrați toate avertizările și instrucțiunile pentru consultare ulterioară.

INSTRUIRE

- Citiți cu atenție instrucțiunile. Familiarizați-vă cu comenzile și cu utilizarea corectă a mașinii.
- Nu permiteți niciodată persoanelor nefamiliarizate cu aceste instrucțiuni sau copiilor să utilizeze aparatul. Reglementările locale pot restricționa vârsta operatorului.
- Rețineți că operatorul sau utilizatorul este responsabil de accidentele sau pericolele la care sunt supuse alte persoane sau bunurile acestora.

PREGĂTIRE

- Nu utilizați niciodată mașina în timp ce sunt oameni, mai ales copii, sau animale în apropiere.
- Purtați în permanență echipament de protecție oculară și încălțăminte rezistentă când utilizați mașina.
- Distanța dintre produs și trecători trebuie să fie de cel puțin 15 m.
- Nu utilizați mașina dacă sunteți obosit, bolnav sau sub influența alcoolului sau a medicamentelor.

FUNCȚIONARE

- Utilizați mașina numai pe timp de zi sau în condiții de lumină artificială bună.
- Nu puneți niciodată mașina în funcțiune cu apărătorile sau scuturile deteriorate sau fără apărători ori scuturi montate pe poziție.
- Porniți motorul numai atunci când mâinile și picioarele sunt la distanță de elementele de tăiere.
- Deconectați întotdeauna sursa de alimentare (de ex. îndepărtați setul de acumulatori).
 - de fiecare dată când lăsați mașina nesupravegheată;
 - înainte de eliminarea unui blocaj;
 - înainte de verificarea, curățarea sau orice intervenție adusă mașinii,
 - după lovirea unui obiect străin;
 - ori de câte ori mașina începe să vibreze anormal.
- Aveți grijă să nu vă vătămați picioarele și mâinile de la dispozitivul de tăiere.
- Asigurați-vă întotdeauna că orificiile de ventilație nu sunt blocate de reziduuri.

ÎNȚREȚINERE ȘI DEPOZITARE

- Deconectați mașina de la sursa de alimentare (de ex. îndepărtați setul de acumulatori) înainte de a efectua orice lucrări de întreținere sau curățare.
- Folosiți numai piese de schimb și accesorii recomandate de producător.

- Inspectați și efectuați întreținerea mașinii cu regularitate. Dați mașina la reparat numai unui reparator autorizat.
- Când nu este utilizată, nu lăsați mașina la îndemâna copiilor.

ALTE AVERTIZĂRI SUPLIMENTARE DE SIGURANȚĂ

- **Evitați mediile periculoase** - Nu utilizați aparate electrice pe pante ude sau cu umezeală.
- **Păstrați apărătorile instalate și în stare de funcționare.**
- **Țineți mâinile și picioarele departe de zona de tundere.**
- **Pentru a reduce riscul de rănire, nu lucrați niciodată stând pe o scară sau pe orice alt suport nesigur. Nu țineți niciodată accesoriul de tăiere la înălțime deasupra taliei.**
- **Verificați accesoriul de tăiere la intervale scurte regulate în timpul utilizării, sau imediat dacă observați o modificare vizibilă a modului de tăiere.**
- **Pentru rezultate optime, acumulatorul trebuie încărcat într-o locație în care temperatura este mai mare de 5°C și mai mică de 40°C. Nu îl depozitați în exterior sau în vehicule.**
- **Dacă cineva se apropie de dumneavoastră, oprți imediat motorul și accesoriul de tăiere.**
- **Avertizați operatorul asupra pericolului propulsiei lamei (valabil numai pentru produsul echipat cu o lamă cu 3 dinți).**
 - Propulsarea lamei poate avea loc când lama rotativă intră în contact cu un obiect care nu este tăiat imediat.
 - Propulsarea lamei poate să fie suficient de violentă încât să cauzeze propulsarea sculei și/sau a operatorului în orice direcție, și eventual poate cauza pierderea controlului asupra trimmerului.
 - Propulsarea lamei poate avea loc fără avertisment dacă lama întâmpină dificultăți, se blochează sau este prinsă.
 - Propulsarea are șanse mai mari să apară în zone unde materialul ce trebuie tăiat este greu de văzut.
- **Nu instalați lama pe un trimmer fără a instala corect toate piesele necesare. Neutilizarea componentelor adecvate poate cauza proiectarea lamei și rănirea grave a operatorului și/sau a trecătorilor. Eliminați lamele indoite, exfoliate, crăpate, fisurate sau avariate în vreun fel. Utilizați o lamă ascuțită. O lamă tocită are șanse mai mari să provoace dificultăți și să fie propulsată. (utilizați numai o lamă cu 3 dinți).**
- **O lamă de debitare/fir poate cauza răniri în cazul care continuă să se rotească după oprirea**

RO

motorului sau eliberarea trăgaciului. **Mențineți un control adecvat asupra trimmerului până la oprirea completă a lamei/firului.**

- Sculele electrice alimentate cu baterii nu trebuie să fie racordate la o priză electrică, de aceea, acestea sunt întotdeauna în stare de funcționare. Atenție la eventualele riscuri chiar și când scula nu este în funcțiune. Aveți grijă când efectuați operații de întreținere sau de service.
- Nu spălați trimmerul cu furtunul de grădină; evitați pătrunderea apei în motor și în conexiunile electrice.
- În cazul situațiilor care nu sunt adresate în acest manual, utilizați grijă și raționament. Contactați centrul de service pentru clienți EGO pentru asistență.
- Utilizați numai seturile de acumulatori și încărcătorii din fig.A.

PĂSTRAȚI ACESTE INSTRUCȚIUNI!

SPECIFICAȚII

Mecanismul de tăiere	Cap cu bobină	
Diametrul firului	Fir de nailon răsucit de 2,4 mm	
Lățime de tăiere	38 cm	
Turație la mers în gol	5000/6000 min ⁻¹	
Greutate (fără set de acumulatori)	1,59 kg	
Temperatură de funcționare recomandată	0°C-40°C	
Temperatură de stocare recomandată	-20°C-70°C	
Nivel de putere sonoră măsurat L _{WA}	94,6 dB(A) K=1,80 dB(A)	
Max. Nivel de presiune sonoră la urechea operatorului L _{PA}	83,2 dB(A) K=3 dB(A)	
Nivel de putere sonoră garantată L _{WA} (conform 2000/14/CE)	96 dB(A)	
Vibrații a _n	Mâner frontal de operare	1,1 m/s ² K=1,5 m/s ²
	Mâner posterior	1,4 m/s ² K=1,5 m/s ²

- Parametrii de mai sus sunt testați și măsurați când scula este echipată cu capul de alimentare PH1400E.

- Valoarea totală declarată a vibrațiilor a fost măsurată în conformitate cu o metodă standard de testare și poate fi utilizată pentru compararea sculelor între ele;
- Valoarea totală declarată poate fi utilizată în evaluarea preliminară a expunerii.

OBSERVAȚIE: Vibrațiile emise în timpul utilizării efective a sculei electrice pot diferi față de valoarea celor declarate pentru scula utilizată; Pentru protejerea operatorului, utilizatorul trebuie să poarte mănuși și protecții auditive în timpul utilizării efective a produsului.

CONȚINUTUL AMBALAJULUI

DENUMIRE PIESĂ	CANTITATE
Accesoriu trimmer cu fir	1
Apărătoare	1
Cheie hexagonală	1
Cheie multifuncțională	1
Manual de instrucțiuni	1

Pentru informații asupra firului de tăiere recomandat, vă rugăm vizitați-ne site-ul egopowerplus.com sau consultați catalogul produselor EGO.

DESCRIERE

DESCRIEREA ACCESORIULUI COSITORII CU FIR (Fig. A)

1. Dop
2. Ax trimmer cu fir
3. Fir de tăiere
4. Cap trimmer (Cap cu proeminență)
5. Clapă de detașare
6. Lamă de tăiere fir
7. Apărătoare
8. Cheie hexagonală
9. Cheie multifuncțională

⚠️ AVERTISMENT: Nu utilizați niciodată scula fără apărătoarea bine fixată. Apărătoarea trebuie să fie întotdeauna instalată pe sculă pentru a proteja utilizatorul.

ASAMBLAREA

⚠️ AVERTISMENT: În caz de piese avariate sau care lipsesc, nu utilizați acest produs dacă piesele nu sunt înlocuite. Utilizarea acestui produs cu piese avariate sau lipsă poate rezulta în vătămări personale grave.

⚠️ AVERTISMENT: Nu încercați să modificați acest produs sau să creați accesorii nerecomandate pentru acest trimmer cu fir. Orice alterare sau modificare este considerată utilizare greșită și poate duce la condiții periculoase ce pot rezulta în vătămări personale grave.

AVERTISMENT: Nu conectați capul de alimentare dacă asamblarea nu este terminată. Nerespectarea acestei instrucțiuni poate duce la pornirea accidentală și la eventuale accidentări grave.

ATAȘAREA APĂRĂTORII

⚠️ AVERTISMENT: Întotdeauna purtați mănuși când atașați sau înlocuiți apărătoarea. Atenție la lama de pe apărătoare și protejați-vă mâinile pentru a nu fi rănite de lamă.

Slăbiți și îndepărtați cele două șuruburi de la baza tijei (Fig. B), aliniați orificiile de montare ale apărătorii cu orificiile de asamblare și blocați apărătoarea pe baza tijei cu ajutorul celor două șuruburi, împreună cu cele două șaibe elastice (Fig. C).

Asigurați-vă că apărătoarea este fixată conform ilustrațiilor din Fig. C & D, orice fixare inversată va cauza un mare pericol!

CONECTAREA ACCESORIULUI DE TRIMMER CU FIR LA CAPUL DE ALIMENTARE

Acest accesoriu de trimmer cu fir este conceput pentru a fi utilizat cu Capul de alimentare EGO Power PH1400E.

Consultați secțiunea privind “**INSTALAREA UNUI ACCESORIU LA CAPUL DE ALIMENTARE**” din manualul de instrucțiuni al capului de alimentare PH1400E.

FUNCȚIONAREA

⚠️ AVERTISMENT: Nu permiteți ca familiarizarea cu acest produs să vă facă neglijent. Amintiți-vă că o fracțiune de secundă de neglijență este suficientă pentru a provoca vătămări grave.

⚠️ AVERTISMENT: Întotdeauna purtați protecție oculară și echipament de protecție auditivă. Nerespectarea acestei instrucțiuni ar putea avea ca rezultat proiectarea în ochi a obiectelor și alte posibile vătămări grave.

APLICAȚII

Puteți utiliza acest produs în scopul menționat mai jos:

- Tunderea ierbii și a buruienilor din jurul verandelor, gardurilor și a teraselor

OBSERVAȚIE: Scula trebuie utilizată numai în scopul pentru care a fost proiectată. Orice altă utilizare este considerată a fi caz de utilizare necorespunzătoare.

Înainte de fiecare utilizări, verificați pentru depistarea pieselor uzate/avariate.

Verificați capul cu bobina, apărătoarea și mânerul frontal de operare și înlocuiți piesele care sunt fisurate distorsionate, îndoitte sau avariate în vreun fel.

Lama de tăiere a firului de pe muchia apărătorii se poate toci cu timpul. Se recomandă să o ascuțiți periodic cu o pilă sau să o înlocuiți cu una nouă.

⚠️ AVERTISMENT: Întotdeauna purtați mănuși când atașați sau înlocuiți apărătoarea ori când înlocuiți sau ascuțiți lama. Rețineți amplasamentul lamei pe apărătoare și protejați-vă mâna împotriva tăieturilor.

⚠️ AVERTISMENT: Pentru prevenirea rănilor personale grave, scoateți setul de acumulatori din capul de alimentare înainte de a depana, curăța, înlocui accesorii sau de a îndepărta materialul din produs.

UTILIZAREA TRIMMERULUI CU FIR CU CAPUL DE ALIMENTARE

⚠️ AVERTISMENT: Îmbrăcați-vă corespunzător pentru a reduce riscul de rănire când utilizați această sculă. Nu purtați haine largi sau bijuterii. Purtați echipament de protecție/oculari și auditiv/pentru urechi. Purtați pantaloni lungi rezistenți, cizme și mănuși. Nu purtați pantaloni scurți, sandale sau să stați desculți.

⚠️ AVERTISMENT: Curățați zona de tuns înainte de fiecare utilizare. Îndepărtați toate obiectele, cum ar fi pietre, sticlă spartă, cuie, sârmă sau fire care pot fi aruncate sau se pot încurca în capul de tăiere. Îndepărtați din zonă copiii, trecătorii și animalele de companie. În cel mai rău caz, țineți copiii, trecătorii și animalele la cel puțin 15m distanță; la această distanță încă persistă riscul lovirii trecătorilor cu obiecte proiectate. Trecătorii trebuie încurajați să poarte ochelari de protecție. Dacă cineva se apropie de dumneavoastră, opriți imediat motorul și capul de tăiere.

Pentru o utilizare mai sigură și mai bună, așezați-vă pe umăr curea de umăr. Reglați curea de umăr într-o poziție confortabilă de lucru. Țineți întotdeauna trimmerul cu fir cu o mână pe mânerul posterior și cu cealaltă mână pe mânerul frontal de operare. Apucați ferm cu ambele mâini în timpul utilizării sculei. Trimmerul cu fir trebuie menținut într-o poziție confortabilă cu mânerul posterior aproximativ la înălțimea șoldului. Capul trimmerului trebuie să fie

paralele cu solul astfel încât să intre ușor în contact cu materialul ce trebuie tăiat fără ca operatorul să fie nevoit să se aplece (Fig. B).

⚠️ AVERTISMENT: Cureaua de umăr este și un mecanism rapid de detașare în situații periculoase. În caz de urgență, îndepărtați imediat cureaua de pe umăr, indiferent de modul de instalare al curelei.

După fiecare utilizare, curățați trimmerul.

Consultați secțiunea ÎNTREȚINEREA pentru instrucțiuni privind curățarea.

PORNIREA/OPRIREA SCULEI

Consultați secțiunea privind "PORNIREA/OPRIREA CAPULUI DE ALIMENTARE" din manualul de instrucțiuni al capului de alimentare PH1400E.

AJUSTAREA LUNGIMII FIRULUI DE TĂIERE

Capul trimmerului permite utilizatorului să elibereze mai mult fir fără să oprească motorul. Pe măsură ce firul devine fragil sau uzat, fir adițional poate fi eliberat prin lovirea ușoară a capului cu bobină de sol în timpul operării trimmerului (Vezi Fig. E).

OBSERVAȚIE: Eliberarea firului devine mai dificilă pe măsură ce firul devine mai scurt.

⚠️ AVERTISMENT: Nu îndepărtați sau să modificați ansamblul lamei de tăiere a firului. Lungimea excesivă a firului poate cauza supraîncălzirea motorului și poate duce la răni personale grave.

ÎNLOCUIREA FIRULUI

OBSERVAȚIE: Întotdeauna utilizați fir de tăiere din nailon cu un diametru maxim de 2,4mm. Utilizarea unui fir diferit de cel specificat poate duce la supraîncălzirea trimmerului cu fir sau la avarierea acestuia.

⚠️ AVERTISMENT: Nu utilizați niciodată fir de metal ranforsat, sârmă, frânghie, etc. Acestea se pot rupe și pot deveni proiectile periculoase.

1. Îndepărtați acumulatorul
2. Îndepărtați firul de tăiere rămas, dacă este nevoie. Pur și simplu trageți-l cu mâna.
3. Tăiați un fir de tăiere de 4m, Introduceți firul în gaura de montare din interiorul orificiului (Fig. F). Împingeți și trageți firul din partea opusă până când în ambele laturi ale bobinei firele au aceeași lungime.

4. Apăsăți, în timp ce rotiți suportul în direcția săgeții, pentru a înfășura firul pe bobină până când aproximativ 14cm de fir apar în ambele părți (Fig. G).
5. Apăsăți în jos suportul de bobină în timp ce instalați firele pentru a derula manual firul și a vă asigura că asamblarea capului de trimmer este corectă.

Când firul de tăiere se rupe din orificiul de ieșire al acestuia sau dacă firul nu este eliberat când capul trimmerului este lovit, urmați pașii de mai jos:

1. Îndepărtați setul de acumulatori
2. Apăsăți cele două clape de detașare de la baza suportului bobinei și scoateți suportul de bobină extrăgându-l direct (Fig. H și I).
3. Scoateți firul de tăiere de pe suportul bobinei.
4. Ținând cu o mână baza bobinei, apucați cu cealaltă suportul acesteia și aliniați clapetele de pe suportul bobinei cu găurile din baza suportului (Fig. J); utilizați-vă palma pentru a apăsa și roti suportul bobinei înspre stânga și dreapta până când clapetele sunt blocate cu baza suportului (Fig. K).
5. Urmați instrucțiunile din "ÎNLOCUIREA FIRULUI" pentru a reîncărca firul de tăiere.

Când doriți să utilizați scula ca și trimmer de gard viu, urmați pașii ilustrați din Fig. L și M pentru a demonta capul trimmerului.

ÎNȚEȚINEREA

⚠️ AVERTISMENT: Înainte de a inspecta, curăța sau de efectua operațiuni de service asupra aparatului, opriți motorul, asigurați-vă că toate componentele mobile sunt oprite și îndepărtați setul de acumulatori dacă este nevoie. Nerespectarea acestor instrucțiuni se poate solda cu vătămări corporale grave sau distrugerea bunurilor.

⚠️ AVERTISMENT: Când efectuați operații de service, utilizați doar piese de schimb identice. Utilizarea oricăror altor piese poate crea un pericol sau poate produce pagube. Pentru a asigura siguranța și fiabilitatea produsului, toate reparațiile, în afara celor menționate în aceste instrucțiuni de întreținere ar trebui efectuate de către un tehnician de service autorizat.

ÎNȚEȚINERE GENERALĂ

Evitați utilizarea solvenților când curățați piese din plastic. Majoritatea pieselor din plastic sunt susceptibile să se deterioreze de la diverse tipuri de solvenți comerciali și se pot defecta prin utilizarea acestora. Utilizați cârpe curate pentru a îndepărta murdăria, praful, uleiul, vaselina etc.

CURĂȚAREA PRODUSULUI

- Curățați iarba care s-ar fi putu înfășura în jurul axului motorului sau a capului trimmerului.
- Utilizați o perie mică sau un aspirator mic pentru a curăța fantele de aerisire de pe carcasa posterioară.
- Curățați produsul cu ajutorul unei cârpe umede și cu detergent slab.
- Nu utilizați detergenți puternici pe carcasa de plastic sau pe mâner. Acestea pot fi deteriorarea de anumite uleiuri parfumate precum brad și lămâie, și de către solvenții precum kerosenul. Umezeala poate cauza un risc de electrocutare. Ștergeți orice urmă de umezeală cu o cârpă uscată.

LUBRIFIEREA ANGRENAJELOR DE TRANSMISIE

Angrenajele de transmisie din carcasa cutiei de viteze trebuie lubrifiate periodic cu unsoare pentru angrenaje. Verificați nivelul unsoarii din carcasa cutiei de viteze la fiecare 50 de ore de utilizare îndepărtând șurubul de etanșeizare de pe latura carcasei.

Dacă pe laturile angrenajului nu se vede unsoare, urmați pașii de mai jos pentru a umple cu unsoare de angrenaj 3/4 din capacitate.

Nu umpleți complet angrenajele de transmisie.

1. Țineți trimmerul cu fir culcat pe o parte astfel încât șurubul de etanșeizare să fie îndreptat în sus .
2. Utilizați cheia multifuncțională furnizată pentru a slăbi și îndepărta șurubul de etanșeizare.
3. Utilizați o seringă (neinclusă) pentru a injecta o cantitate de unsoare în orificiul șurubului; nu depășiți 3/4 din capacitate.
4. După injectare, strângeți șurubul de etanșeizare.

DEPOZITAREA PRODUSULUI

- Detașați setul de acumulatori de pe trimmerul tuns iarbă.
- Curățați scula bine înainte de a o depozita.
- Dacă accesoriul trimmer cu fir este detașat de capul de alimentare și depozitat separat: Instalați dopul pe tija dispozitivului pentru a se evita pătrunderea murdăriei în cuplor.

- Depozitați aparatul într-un loc uscat, bine aerisit, închis cu cheia sau la înălțime, în care copiii nu au acces. Nu depozitați produsul pe sau lângă fertilizanți, benzină sau alte chimicale.

Protejarea mediului înconjurător



Nu eliminați echipamentul electric, încărcătorul de acumulatori și bateriile/acumulatorii împreună cu deșeurile menajere!

Conform Directivei europene 2012/19/UE, sculele echipamentele electrice și electronice care nu mai sunt utilizabile, și conform Directivei europene 2006/66/CE, seturile de acumulatori/bateriile defecte sau uzate trebuie colectate separat.

Dacă aparatele electrice sunt aruncate la groapa de gunoi sau la haldă, se pot scurge substanțe periculoase în pânza freatică și acestea pot intra în lanțul trofic, afectându-vă sănătatea și bunăstarea

GHID DE DEPANARE

PROBLEMĂ	CAUZĂ	SOLUȚIE
Trimmerul cu fir nu pornește.	<ul style="list-style-type: none"> ■ Setul de acumulatori nu este atașat de capul de alimentare. ■ Nu există contact electric între capul de alimentare și setul de acumulatori. ■ Setul de acumulatori este descărcat. ■ Maneta de blocare și trăgaciul nu sunt apăstate simultan. 	<ul style="list-style-type: none"> ■ Atașați setul de acumulatori de capul de alimentare. ■ Îndepărtați acumulatorul, verificați contactele și reinstalați setul de acumulatori până când acesta se anclanșează în poziție. ■ Încărcați acest set de acumulatori cu încărcătorii EGO menționați în acest manual. ■ Apăsăți în jos maneta de blocare și țineți-o apăsată, după care apăsați trăgaciul declanșator pentru a porni trimmerul.
FIRUL trimmerului se oprește în timpul utilizării.	<ul style="list-style-type: none"> ■ Apărătoarea nu este montată pe trimmer, rezultând un fir prea lung de depășește și un motor suprasolicitat. ■ Este utilizat un fir gros. ■ Axul motorului sau capul trimmerului sunt blocate cu iarbă. ■ Motorul este suprasolicitat. ■ Setul de acumulatori sau trimmerul sunt prea fierbinți. ■ Setul de acumulatori este deconectat de la sculă. ■ Setul de acumulatori este descărcat. 	<ul style="list-style-type: none"> ■ Îndepărtați setul de acumulatori și montați apărătoarea pe trimmer. ■ Utilizați firul de nailon de tăiere recomandat cu diametrul de maxim 2,4 mm. ■ Opriți trimmerul, îndepărtați acumulatorul și curățați iarba de pe axul motorului și capul trimmerului. ■ Îndepărtați capul trimmerului din iarbă. Motorul își va reveni imediat ce sarcina este îndepărtată. Când tăiați, deplasați capul trimmerului în iarbă și în afara ei pentru a o tăia și îndepărtați maxim 20cm de lungime dintr-o tăiere. ■ Lăsați setul de acumulatori sau trimmerul cu fir să se răcească până când temperatura scade sub 67°C . ■ Reinstalați setul de acumulatori. ■ Încărcați acest set de acumulatori cu încărcătorii EGO menționați în acest manual.

RO

PROBLEMĂ	CAUZĂ	SOLUȚIE
Capul trimmerului nu mai debitează fir.	<ul style="list-style-type: none"> ■ Axul motorului sau capul trimmerului sunt blocate cu iarbă. ■ Pe bobină nu mai este suficient fir. ■ Capul trimmerului este murdar. ■ Firul este încărcat în suportul de bobină. ■ Firul este prea scurt. 	<ul style="list-style-type: none"> ■ Opriți trimmerul, îndepărtați acumulatorul și curățați iarba de pe axul motorului și capul trimmerului. ■ Îndepărtați acumulatorul și înlocuiți firul de tăiere; respectați instrucțiunile din capitolul “ÎNLOCUIREA FIRULUI” din acest manual. ■ Îndepărtați acumulatorul și curățați bobina, suportul bobinei și baza acesteia. ■ Îndepărtați acumulatorul, îndepărtați firul de pe bobină și înfășurați; respectați instrucțiunile din capitolul “ÎNLOCUIREA FIRULUI” din acest manual. ■ Scoateți acumulatorul și scoateți firele în timp ce apăsați alternativ în jos pe și eliberați butonul de derulare a firului.
Iarbă înfășurată în jurul capului trimmerului și a carcasei motorului.	<ul style="list-style-type: none"> ■ Tăierea ierbii înalte la nivelul solului. 	<ul style="list-style-type: none"> ■ Tăiați iarba înaltă de sus în jos, îndepărtând maxim 20 cm cu fiecare tăiere pentru a preveni înfășurarea.
Lama nu taie firul.	<ul style="list-style-type: none"> ■ Lama de tăiere a firului situată pe marginea apărătorii s-a tocit. 	<ul style="list-style-type: none"> ■ Ascuțiți lama de tăiere a firului cu o pilă sau înlocuiți-o cu una nouă.
Fisuri pe capul trimmerului sau suportul bobinei se detașează ușor de baza bobinei.	<ul style="list-style-type: none"> ■ Capul trimmerului este uzat. 	<ul style="list-style-type: none"> ■ Înlocuiți capul de tăiere a ierbii imediat; respectați secțiunea „ÎNLOCUIREA CAPULUI DE TĂIERE A IERBII” din acest manual.
În timpul înlocuirii firului, firul nu poate fi încărcat corect pe capul trimmerului.	<ul style="list-style-type: none"> ■ Firele de ÎNCĂRCARE ale suportului bobinei nu se aliniază cu orificiile din baza bobinei. ■ Firul nu este introdus corect în gaura de montare din orificiu. 	<ul style="list-style-type: none"> ■ Rotiți suportul de bobină în direcția săgeții aliniând firul de ÎNCĂRCARE de pe suportul bobinei cu orificiile din baza bobinei. ■ Aliniați mai întâi firele de ÎNCĂRCARE cu orificiile, după care introduceți firul în gaura de montare din interiorul orificiului.

RO

GARANȚIA

POLITICA DE GARANȚIE EGO

Vă rugăm consultați website-ul egopowerplus.com pentru termenii și condițiile complete ale politicii de garanție EGO.

PREBERITE VSA NAVODILA!



PREBERITE PRIROČNIK Z NAVODILI ZA UPORABO

⚠ Preostalo tveganje! Pred uporabo izdelka se morajo osebe z elektronskimi napravami, kot je srčni spodbujevalnik, posvetovati s svojim zdravnikom. Delovanje električne opreme v bližini srčnega spodbujevalnika lahko povzroči motnje ali okvaro srčnega spodbujevalnika.

⚠ OPOZORILO: Za zagotovitev varnosti in zanesljivosti mora vsa popravila izvesti usposobljen serviser.

VARNOSTNI SIMBOLI

Namen varnostnih simbolov je, da pritegnejo vašo pozornost na morebitne nevarnosti. Varnostni simboli in njihova pojasnila si zaslužijo vašo pozornost in razumevanje. Opozorilni simboli sami ne odpravljajo nobene nevarnosti. Navodila in opozorila niso nadomestilo za ustrezne ukrepe za preprečevanje nesreč.

⚠ OPOZORILO: Poskrbite, da boste pred uporabo orodja prebrali in razumeli vsa varnostna navodila v priročniku z navodili za uporabo, vključno z vsemi simboli za varnostna opozorila «, kot so »NEVARNOST«, »OPOZORILO« in »POZOR«. Neupoštevanje spodaj navedenih navodil se lahko odrazi v električnem udaru, požaru in/ali resnih telesnih poškodbah.

SL

POMEN SIMBOLOV

⚠ SIMBOL VARNOSTNEGA OPOZORILO: označuje NEVARNOST, OPOZORILO ali POZOR, uporabiti ga je mogoče skupaj z drugimi simboli ali piktorgami.



⚠ OPOZORILO: Delovanje katerega koli električnega orodja lahko povzroči metanje tujkov v vaše oči, kar lahko povzroči resne poškodbe očesa. Pred začetkom dela z električnim orodjem vedno nosite zaščitna očala ali varnostna očala s stranskimi zaščitami in kadar je treba tudi ščit za celoten obraz. Priporočamo vam uporabo varnostne maske Wide Vision Safety Mask za uporabo preko očal ali standardnih varnostnih očal s stransko zaščito.

VARNOSTNA NAVODILA

Na tej strani so prikazani in opisani varnostni simboli, ki se lahko pojavijo na tem izdelku. Preberite, osvojite in sledite navodilom na stroju preden ga boste poskušali sestaviti in upravljati.

	Varnostno opozorilo	Označuje potencialno nevarnost telesnih poškodb.
	Preberite priročnik z navodili za uporabo	Za zmanjšanje nevarnosti poškodb je pomembno, da uporabnik pred uporabo naprave prebere uporabniški priročnik.
	Nosite zaščito za oči	Pri upravljanju tega izdelka vedno nosite zaščitna očala ali varnostna očala s stransko zaščito in zaščito za celoten obraz.
	Nosite zaščito za ušesa	Za zaščito sluha vedno uporabljajte protihrupne pripomočke (čepke za ušesa ali glušnike).
	Upora-bljajte zaščito za glavo	Uporabljajte odobreno odobreno zaščitno pokrivalo za glavo, ki nudi ustrezno zaščito za glavo.
	Upora-bljajte zaščitne rokavice	Med roko vanjem rezila ali zaščite rezila zaščitite roke z rokavicami. Trpežne rokavice z dobrim oprijemom izboljšujejo oprijem in varujejo vaše roke.
	Upora-bljajte zaščitno obutev	Nosite nedrso zaščitno obutev, ko uporabljate to opremo.
	Širina košnje	Največja širina košnje kosilnice z nitko
	Premer nitke	Premer najlonske nitke
	Ni okroglega rezila	Ne nameščajte okroglih rezil za košnjo.

	Prisotni naj bodo varno oddaljeni	Poskrbite, da bodo drugi ljudje in hišni ljubljenci vsaj 15 m stran od kosilnice z nitko, ko je v uporabi.
	Prisotni naj bodo varno oddaljeni	Poskrbite, da bodo drugi ljudje in hišni ljubljenci vsaj 15 m stran od kosilnice z nitko, ko je v uporabi.
	Ne izpostavljajte dežju	Naprave ne uporabljajte v dežju ali je puščajte zunaj, ko dežuje.
	CE	Ta izdelek je v skladu z veljavnimi direktivami ES.
	Odpadna električna in elektronska oprema (OEEO)	Odpadnih električnih izdelkov se ne sme odlagati med gospodinjske odpadke. Odnosite jih k pooblaščenemu izvajalcu postopka recikliranja.
	Hrup	Zajamčena raven zvočnega tlaka. Emisije hrupa v okolico so v skladu z direktivo Evropske skupnosti.
V	Volt	Voltaj
mm	Milimeter	Dolžina ali velikost
cm	Centimeter	Dolžina ali velikost
kg	Kilogram	Teža

SPLOŠNA VARNOSTNA OPOZORILA ZA ELEKTRIČNA ORODJA

⚠ OPOZORILO: Preberite vsa varnostna opozorila, navodila, slike in tehnične podatke, ki so priloženi temu električnemu orodju. Zaradi neupoštevanja spodaj navedenih navodil lahko pride do električnega udara, požara in/ali hudih telesnih poškodb.

Vsa opozorila in navodila shranite za kasnejšo uporabo.

Izraz »električno orodje« v opozorilih se nanaša na orodja, ki jih poganja električni tok (žična), ali na akumulatorska (brezžična) orodja.

VARNOST DELOVNEGA OBMOČJA

- Delovno območje naj bo čisto in dobro osvetljeno. V neurejenih in temnih območjih se rade zgodijo nesreče.
- Električnega orodja ne upravljajte v eksplozivnih atmosferah, kot je ob prisotnosti vnetljivih tekočin, plinov ali prahu. Električno orodje ustvarja iskre, ki lahko povzročijo vžig prahu ali hlapov.
- Med uporabo električnega orodja v bližino ne pustite otrok in drugih ljudi. Zaradi motenj lahko izgubite nadzor.

OSEBNA VARNOST

- **Med uporabo električnega orodja bodite pozorni, spremljajte potek dela in uporabljajte zdrav razum. Električnega orodja ne uporabljajte, kadar ste utrujeni ali pod vplivom drog, alkohola ali zdravil.** Trenutek nepazljivosti med uporabo električnega orodja lahko povzroči hude telesne poškodbe.
- **Uporabljajte osebno varovalno opremo. Vedno nosite zaščito za oči.** Če v različnih okoliščinah nosite ustrezno zaščitno opremo, kot so maska proti prahu, obutev z nedrsečim podplatom, trdno pokrivalo glave in zaščita za sluh, zmanjšate možnost telesnih poškodb.
- **Preprečite neželen zagon. Pred priključitvijo napajanja in/ali baterijskega sklopa, pred dvigovanjem ali nošenjem orodja se prepričajte, da je stikalo v položaju za izklop.** Prenajanje električnih orodij s prstom na stikalu ali dovajanje napajanja električnim orodjem, pri katerih je stikalo v položaju za vklop, poveča tveganje nesreč.
- **Pred vklopom električnega orodja odstranite morebitne prilagojevalne ključe ali izvijače.** Izvijač ali ključ, ki je pritrjen na vrtljivi del električnega orodja, lahko povzroči telesne poškodbe.
- **Ne segajte preko dosega. Pazite, da stojite stabilno in da ohranate ravnotežje.** To omogoča boljši nadzor nad električnim orodjem v nepričakovanih situacijah.
- **Bodite primerno oblečeni. Ne nosite ohlapnih oblačil ali nakita. Pazite, da lasje, oblačila in rokavice ne pridejo v bližino gibljivih delov.** Ohlapna oblačila, nakit ali dolgi lasje se lahko zapletejo v gibljive dele.
- **Če imate na voljo naprave za sesanje in zbiranje prahu, preverite, ali so priključene in ali se ustrezno uporabljajo.** Uporaba naprav za odstranjevanje prahu lahko zmanjša nevarnosti, povezane s prahom.

SL

- Čeprav dobro poznate orodje zaradi pogoste uporabe, ne postanite samozadovoljni in ne ignorirajte varnostnih načel orodja. Nepazljivost pri uporabi lahko povzroči hude telesne poškodbe v delcu sekunde.

UPORABA IN NEGA ELEKTRIČNEGA ORODJA

- Električnega orodja ne preobremenjujte. Uporabite električno orodje, ki ustreza vašemu delu. Ustrezno električno orodje bo nalogo opravilo bolje in varneje pri zmogljivosti, za katero je bilo zasnovano.
- Ne uporabljajte električnega orodja, če ga stikalo ne vklopi ali izklopi. Kakršno koli električno orodje, ki ga ni mogoče nadzirati s stikalom, je nevarno in ga je potrebno popraviti.
- Električna orodja, ki niso v uporabi, shranjujte izven dosega otrok in ne dovolite, da bi električno orodje uporabljale osebe, ki niso seznanjene z električnim orodjem ali s temi navodili. Električno orodje je v rokah neusposobljenih uporabnikov nevarno.
- Električna orodja in dodatke redno vzdržujte. Preverite morebitno nevarnost ali povezavo premikajočih se delov, zlome delov ali morebitno drugačno stanje, ki bi lahko vplivalo na delovanje električnega orodja. Če je električno orodje poškodovano, ga pred ponovno uporabo dajte v popravilo. Mnogo nesreč se pripeti zaradi slabo vzdrževanih električnih orodij.
- Rezalna orodja naj bodo vedno nabrušena in čista. Pravilno vzdrževana rezalna orodja z ostrimi rezili se težje zaskočijo in jih je lažje nadzirati.
- Električno orodje, dodatke in dele orodja itd. uporabljajte v skladu s temi navodili, pri tem pa upoštevajte delovne pogoje in delo, ki ga boste opravljali. Če boste električno orodje uporabljali za neustrezne namene, lahko pride do nevarnih situacij.
- Ročaji in prijemna površina naj bodo suhi, čisti in brez madežev olja ali masti. Drseči ročaji in prijemne površine ne omogočajo varnega ravnanja in nadzora orodja v nepričakovanih situacijah.
- Kabli ne smejo biti v delovnem območju orodja. Kablov morda med delom ne boste opazili, zato jih lahko nehote poškodujete z orodjem.

UPORABA IN VZDRŽEVANJE BATERIJSKEGA ORODJA

- Baterijo polnite le s polnilnikom, ki ga določa proizvajalec. Polnilnik, ki ustreza eni vrsti baterij, morda lahko povzroči požar, če z njim polnite drugo vrsto baterij.
- Baterijska orodja uporabljajte samo s predpisano vrsto baterij. Uporaba katerih koli drugih baterij ustvari tveganje poškodb in požara.

- Ko baterijski sklop ni v uporabi, ga hranite ločeno od kovinskih predmetov, kot so sponke za papir, kovanci, ključi, žebliji, vijaki ali drugi majhni kovinski predmeti, ki lahko povzročijo stik med enim in drugim terminalom. Kratek stik zaradi povezanih terminalov baterije lahko povzroči opekline ali požar.
- Ob zlorabi baterije lahko iz nje steče tekočina. Če se naključno dotaknete tekočine, mesto dotika sperite z vodo. Če pride tekočina v stik z očmi, poiščite zdravstveno pomoč. Tekočina, ki izteče iz baterije lahko povzroči vnetje ali opekline.
- Baterijskega sklopa ali orodja, ki je poškodovano ali spremenjeno, ne uporabljajte. Poškodovane ali spremenjene baterije se lahko nepredvidljivo vedejo, kar lahko povzroči požar, eksplozijo ali tveganje telesnih poškodb.
- Baterijskega sklopa ali orodja ne izpostavljajte ognju ali previsokim temperaturam. Izpostavljenost ognju ali temperaturam nad 100 °C lahko povzroči eksplozijo.
- Upoštevajte vsa navodila za polnjenje in baterijskega sklopa ali orodja ne polnite izven temperaturnega razpona, navedenega v navodilih. Nepravilno polnjenje ali temperature izven navedenega razpona lahko poškodujejo baterijo in povečajo tveganje požara.

SERVIS

- Električno orodje naj servisira usposobljeno servisno osebje, ki uporablja le enake nadomestne dele. To bo zagotovilo ohranjanje varnosti električnega orodja.
- Nikoli ne popravljajte poškodovanih baterijskih sklopov. Baterijske sklope lahko popravi le proizvajalec ali pooblaščen izvajalec storitev.

⚠ OPOZORILO: preberite vsa varnostna opozorila, navodila, slike in tehnične podatke, ki so priloženi temu električnemu orodju. Zaradi neupoštevanja spodaj navedenih navodil lahko pride do električnega udara, požara in/ali hudih telesnih poškodb. Vsa opozorila in navodila shranite za kasnejšo uporabo.

Vsa opozorila in navodila shranite za kasnejšo uporabo.

USPOSABLJANJE

- Pozorno preberite navodila. Seznanite se s kontrolami in pravilno uporabo naprave.
- Ljudem, ki niso seznanjeni s temi navodili, ali otrokom nikoli ne dovolite uporabljati naprave. Lokalni predpisi morda omejujejo starost upravljalca.
- Ne pozabite, da je upravljalcev ali uporabnik orodja odgovoren za nevarnosti ali tveganja za druge ljudi in lastnino, do katerih lahko pride.

PRIPRAVA

- Če so v bližini ljudje, še posebej otroci ali domače živali, naprave ne uporabljajte.
- Nosite zaščito za oči in robustne čevlje ves čas upravljanja stroja.
- Razdalja med napravo in drugimi prisotnimi ljudmi mora biti najmanj 15 m.
- Naprave ne uporabljajte, kadar je upravljevec utrujen, bolan oziroma pod vplivom alkohola ali drugih drog.

UPRAVLJANJE

- Stroj uporabljajte le podnevi ali ob dobri umetni svetlobi.
- Stroja nikoli ne upravljajte, če so ščitniki poškodovani, ali če niso na mestu.
- Motor vklopite šele takrat, ko roke in noge niso v stiku s komponentami za košnjo.
- Stroj vedno odklopite iz napajanja (npr. odstranite baterijski sklop):
 - kadar koli pustite stroj brez nadzora;
 - pred čiščenjem blokade;
 - pred pregledom, čiščenjem ali delom na napravi;
 - potem, ko zadenete ob tujek;
 - kadar koli začne stroj nenormalno vibrirati.
- Pazite na morebitne poškodbe dlani iz stopal z rezili.
- Vedno poskrbite, da so odprtine za zračenje čiste.

VZDRŽEVANJE IN SHRANJEVANJE

- Stroj vedno ločite od vira napajanja (na primer odstranite baterijski sklop) pred vzdrževanjem ali čiščenjem naprave.
- Uporabljajte samo nadomestne dele in dodatke, ki jih priporoča proizvajalec.
- Stroj redno preverjajte in vzdržujte. Stroj naj popravlja le pooblaščen serviser.
- Ko ni v uporabi, stroj pospravite izven dosega otrok.

DRUGA VARNOSTNA OPOZORILA

- **Izogibajte se uporabi na nevarnih območjih.** Naprave ne uporabljajte na vlažnem ali mokrem klancu.
- **Poskrbite, da bodo varovala nameščena in ustrezno delujoča.**
- **Ne segajte v območje košnje z rokami in nogami.**
- **Nikoli ne delajte na lestvi ali na drugi nestabilni podpori.** Tako boste znatno zmanjšali nevarnost poškodb. Enote za košnjo nikoli ne dvigujte nad višino pasu.
- **Enoto za košnjo med uporabo redno preverjajte v kratkih intervalih ali nemudoma po tem, ko opazite spremenjeno učinkovitost košnje.**

- **Za najboljše rezultate baterijo polnite na mestu, kjer je temperatura višja od 5 °C in nižja od 40 °C.** Baterije ne shranjujte zunaj ali v vozilih.
- **Če pristopite, takoj ustavite motor in enoto za košnjo.**
- **Upravljalca opozorite na nevarnost sunka rezila (samo za trizobo rezilo).**
 - Do sunka rezila lahko pride takrat, ko vrteče rezilo zadene ob predmet, ki ga ne prereže takoj.
 - Sunek rezila je lahko tako močan, da enoto in/ali upravljalca vrže v katero koli smer, ta pa pri tem izgubi nadzor nad enoto.
 - Do sunka rezila lahko pride brez vnaprejšnjega opozorila, če se rezilo zatakne, zaustavi med vrtenjem ali ukrivi.
 - Večja verjetnost je, da do sunka rezila pride v območjih, kjer težko vidite material, ki ga režete.
- **Ne pritrujite na komponento rezila, če pred tem ne namestite vseh zahtevanih delov.** Če ne uporabite ustreznih delov, lahko rezilo odleti proč in resno poškoduje upravljalca in/ali mimoidoče. Zavržite vsa skrivljena, zvita, počena, zlomljena ali kakor koli drugače poškodovana rezila. Uporabite ostro rezilo. Veliko bolj verjetno je, da bo počilo topo rezilo (samo za trizobo rezilo).
- **Rezilo/nitka z vztrajnim momentom lahko povzroči poškodbo, ker se vrti tudi po zaustavitvi motorja ali po sprostitvi sprožilca.** Obdržite nadzor toliko časa, da se rezilo/nitka popolnoma ustavi.
- **Baterijskih orodij ni potrebno priklopiti v električno vtičnico, zato so vedno v stanju delovanja.** Zavedajte se mogočih nevarnosti tudi, ko orodje ne deluje. Bodite previdni pri vzdrževanju ali servisiranju.
- **Naprave ne umivajte s cevjo.** Voda naj ne pride v motor ali električne priključke.
- **Če pride do situacij, ki niso zajete v tem priročniku, bodite pazljivi in uporabite dobro presojo.** Za pomoč stopite v stik servisnim centrom EGO.
- **Napravo uporabljajte le z akumulatorskimi baterijami in polnilniki, navedenimi v sliki A.**

TA NAVODILA SHRANITE!

SL

TEHNIČNI PODATKI

Mehanizem za košnjo	Udarna glava	
Premer nitke	2,4 mm najlonska zavita nitka	
Širina košnje	38 cm	
Hitrost brez obremenitve	5000/6000 min ⁻¹	
Teža (baterijskega sklopa)	1,59 kg	
Priporočena delovna temperatura	0°C-40°C	
Priporočena temperatura za shranjevanje	-20°C-70°C	
Izmerjena raven zvočnega tlaka L _{WA}	94,6 dB(A) K=1,80 dB(A)	
Raven zvočnega tlaka v ušesu upravljavca L _{PA}	83,2 dB(A) K=3 dB(A)	
Zajamčena raven zvočnega tlaka L _{WA} (glede na 2000/14/EC)	96 dB(A)	
Vibracije a _h	Sprednji ročaj za prijem	1,1 m/s ² K=1,5 m/s ²
	Zadnji ročaj	1,4 m/s ² K=1,5 m/s ²

- Zgornji parametri so preskušeni in izmerjeni z nameščeno pogonsko enoto PH1400E.
- Deklarirana skupna vrednost vibracij je bila izmerjena v skladu s standardno preskusno metodo in se lahko uporabi za medsebojno primerjavo različnih orodij;
- Navedena skupna vrednost vibracij se lahko uporabi za predhodne ocene izpostavljenosti.

OPOMBA: Emisije vibracij se lahko med dejansko uporabo električnega orodja razlikujejo od deklarirane vrednosti, pri kateri se orodje uporablja. Z namenom zaščite upravljavca mora uporabnik v dejanskih pogojih uporabe nositi rokavice in zaščito za ušesa.

SEZNAM PAKIRANJA

IME DELA	KOLIČINA
Priključek za kosilnico z nitko	1
Ščitnik	1
Šestrobi ključ	1
Večnamenski ključ	1
Priročnik z navodili za uporabo	1

Za priporočene nitke za košnjo obiščite spletno mesto egopowerplus.com ali si oglejte katalog izdelkov EGO.

OPIS

SPOZNAJTE DODATKE ZA SVOJO NITNO KOSILNICO (slika A)

1. Pokrovček
2. Gred kosilnice z nitko
3. Nitka za košnjo
4. Glava kosilnice z nitko (udarna glava)
5. Jeziček za sprostitvev
6. Rezilo z nitko
7. Ščitnik
8. Imbus ključ
9. Večnamenski ključ

⚠ OPOZORILO: orodja nikoli ne upravljajte brez ščitnika trdno nameščenega na mestu. Ščitnik mora biti vedno nameščen na orodju za zaščito uporabnika.

SESTAVA

⚠ OPOZORILO: Če so deli poškodovani ali manjkajo, izdelka ne uporabljajte, dokler deli niso zamenjani. Če ta izdelek uporabljate s poškodovanimi ali manjkajočimi deli, se lahko resno poškodujete.

⚠ OPOZORILO: Tega izdelka ne poskušajte spreminjati in ne poskušajte izdelovati dodatkov, ki niso priporočeni za uporabo s to kosilnico z nitko. Vsako tako spreminjanje je zloraba in lahko privede do tveganj, ta pa do hudih telesnih poškodb.

OPOZORILO: ne priključite na pogonsko enoto do zaključka montaže. Neupoštevanje tega navodila lahko povzroči nenamerni zagon in resno telesno poškodbo.

MONTAŽA ŠČITNIKA

⚠ OPOZORILO: pri montaži ali zamenjavi ščitnika vedno nosite rokavice. Pazite na rezilo na ščitniku in zaščitite dlani, da se ne poškodujete.

Odvijte vijaka z osnove gredi (sl. B), poravnajte odprtine za montažo zaščite z odprtinami na delu in pritrdite zaščito na osnovo gredi z vijakoma ter dvema vzmetnima podložkama (sl. C).

Prepričajte se, da je ščitnik pritrjen v skladu s slikama C in D. Kakršna koli drugačna namestitvev bo povzročila veliko nevarnost.

NAMEŠČANJE PRIKLJUČKA ZA KOSILNICO Z NITKO NA POGONSKO ENOTO

Ta priključek za kosilnico z nitko je zasnovan za uporabo s pogonsko enoto EGO PH1400E.

Glejte razdelek »**NAMEŠČANJE PRIKLJUČKA NA POGONSKO ENOTO**« v priročniku z navodili pogonske enote PH1400E.

DELOVANJE

⚠ OPOZORILO: Četudi se dodobra seznanite s tem izdelkom, pri rokovanju z njim ne postanite nepredvidni. Pomnite, da je brezskrbni delec sekunde dovolj za resno poškodbo.

⚠ OPOZORILO: vedno nosite zaščito za oči in ušesa. Če tega ne storite, vam lahko v oči priletijo predmeti ali pride do drugih hudih poškodb.

APLIKACIJE

Ta izdelek lahko uporabljate za naslednje namene:

- košnja trave in plevela okoli verand, ograj in poti.

OPOMBA: orodje se lahko uporablja samo za predpisan namen. Kakršna koli druga uporaba se smatra za nepravilno uporabo.

Pred vsako uporabo napravo preglejte za poškodovane/obrabljene dele

Preglejte glavo kosilnice, ščitnik in sprednji ročaj za prijem ter zamenjajte dele, ki so razpokani, zviti, upognjeni ali kakor koli poškodovani.

Rezilo z nitko na robu ščitnika lahko sčasoma postane topo. Priporočljivo je, da ga redno ostrite s pilo ali ga zamenjate z novim rezilom.

⚠ OPOZORILO: pri montaži ali zamenjavi ščitnika oziroma ostrenju ali zamenjavi rezila vedno nosite rokavice. Bodite pozorni na položaj rezila na ščitniku in zaščitite dlan, da se ne poškodujete.

⚠ OPOZORILO: da preprečite resno telesno poškodbo, pred servisiranjem, čiščenjem, zamenjavo priključkov ali odstranjevanjem materiala iz enote odstranite baterijski sklop iz pogonske enote.

UPORABLJANJE KOSILNICE Z NITKO S POGONSKO ENOTO

⚠ OPOZORILO: za upravljanje tega orodja se primerno oblecite, da zmanjšate nevarnost poškodb. Ne nosite ohlapnih oblačil ali nakita. Nosite zaščito za oči in ušesa. Nosite robustne dolge hlače, škornje in rokavice. Ne nosite kratkih hlač, sandal ali bodite bos.

⚠ OPOZORILO: območje rezanja pred vsako uporabo počistite. Odstranite vse predmete, kot so kamni, zdrobljeno steklo, žebliji, žica ali vrvica, ki jih lahko vrže ali se zapletejo v priključek za košnjo. Na območju naj ne bo otrok, opazovalcev in hišnih ljubljencev. Otroci, opazovalci in hišni ljubljenci naj bodo oddaljeni vsaj 15 m. Še vedno lahko obstaja nevarnost letečih predmetov za opazovalce. Prisotni naj tudi uporabljajo zaščito za oči. Če pristopite, takoj ustavite motor in priključek za košnjo.

Za varno in boljše upravljanje si preko rame nadenite ramenski pas. Ramenski pas nastavite v udoben položaj za upravljanje. Kosilnico z nitko držite z eno roko na zadnjem ročaju in drugo roko na sprednjem ročaju. Med upravljanjem orodje čvrsto držite z obema rokama. Kosilnico z nitko držite v udobnem položaju z zadnjim ročajem približno v višini pasu. Glava kosilnice mora biti vzporedna s tlemi, da brez težav pride v stik z materialom za košnjo, ne da bi se upravljevalec moral prikloniti (slika B).

⚠ OPOZORILO: ramenski pas je tudi hiter mehanizem za sprostitve v nevarnih situacijah. V nujnih primerih ga nemudoma snemite z rame, ne glede na to, kako je vstavljen.

Kosilnico z nitko po vsaki uporabi očistite

Navodila za čiščenje najdete v razdelku »**VZDRŽEVANJE**«.

ZAGON/ZAUSTAVITEV ORODJA

Glejte razdelek »**ZAGON/ZAUSTAVITEV POGONSKE ENOTE**« v priročniku z navodili pogonske enote PH1400E.

PRILAGAJANJE DOLŽINE NITKE

Glava kosilnice z nitko upravljavcu omogoča sprostitve več nitke za košnjo brez zaustavitve motorja. Ko se nitka scefra ali obrabi, lahko sprostite dodatno nitko tako, da narahlo potolčete z glavo kosilnice ob tla med delovanjem kosilnice (slika E).

OPOMBA: sproščanje nitke bo postalo težje, ko bo nitka postajala krajša.

⚠ OPOZORILO: sklopa rezila ne odstranjujte ali spreminjajte. Prevelika dolžina nitke bo povzročila pregrevanje motorja, ki lahko povzroči resno telesno poškodbo.

ZAMENJAVA NITKE

OPOMBA: vedno uporabljajte priporočeno najlonsko nitko za košnjo s premerom, ki ni večji od 2,4 mm. Uporaba drugačne nitke lahko povzroči pregretje ali poškodbe kosilnice z nitko.

SL

⚠ OPOZORILO: nikoli ne uporabljajte nitke s kovinsko ojačitvijo ali žice, vrvi itd. Lahko se odtrgajo in postanejo nevarne.

1. Odstranite baterijski sklop
2. Če je treba, odstranite preostalo nitko za košnjo. Enostavno jo izvlecite z roko.
3. Odrežite 4 m dolgo nitko za košnjo, Nitko vstavite v luknjo za namestitvev v vstavitveni odprtini (slika F). Potisnite in na drugi strani povlecite nitko ven, tako da bosta na obeh straneh vretena enaki dolžini nitke.
4. Med vrtenjem držala vretena v smeri puščice pritiskajte, da nitko navijete na vreteno in je na vsaki strani vretena približno 14 cm nitke (slika G).
5. Držalo vretena potiskajte navzdol, medtem ko ročno vlečete nitko za ročno namestitvev nitke, in da preverite pravilno namestitvev glave kosilnice z nitko.

Če se nitka za košnjo odloži iz izhoda za nitko ali če se nitka ne sprostí, ko potolčete z glavo kosilnice, sledite spodnjim korakom:

1. Odstranite baterijski sklop.
2. Pritisnite jezičke za sprostitev držala vretena in odstranite držalo vretena tako, da ga izvlečete naravnost ven (sliki H in I).
3. Nitko za košnjo odstranite iz držala vretena.
4. Z eno roko držite podnožje vretena, z drugo roko pa primite držalo vretena in poravnajte jezičke na držalu vretena z luknjami na podnožju vretena (slika J). Z dlanjo pritiskajte in obračajte držalo vretena v levo in desno, da se jezički zaklenejo s podnožjem vretena (slika K).
5. Za ponovno namestitvev nitke za košnjo sledite navodilom v razdelku »ZAMENJAVA NITKE«.

Kadar želite orodje uporabljati kot obrezovalnik grmičevja, sledite korakom na slikah L in M za razstavitev glave obrezovalnika z nitko.

VZDRŽEVANJE

⚠ OPOZORILO: pred pregledom, čiščenjem ali popravilom enote zaustavite motor, počakajte, da se zaustavijo vsi premikajoči se deli in odstranite baterijski sklop. Neupoštevanje teh navodil lahko povzroči hude telesne poškodbe ali materialno škodo.

⚠ OPOZORILO: pri servisiranju uporabljajte le identične nadomestne dele. Uporaba drugih delov je tvegana in lahko poškoduje izdelek. Za zagotovitev varnosti in zanesljivosti mora vsa popravila, razen tistih, ki so navedena v navodilih za vzdrževanje, izvesti usposobljen serviser.

SPLOŠNO VZDRŽEVANJE

Pri čiščenju plastičnih delov se izogibajte uporabi topil. Večina vrst plastike se lahko pri uporabi različnih komercialnih topil poškoduje. Za odstranjevanje umazanije, prahu, olja, masti itd. uporabite čiste krpe.

ČIŠČENJE ENOTE

- Očistite vso travo, ki se je ovila okoli gredi motorja ali glave kosilnice.
- Zračne odprtine v zadnjem delu ohišja očistite z majhno krtačo ali majhnim sesalnikom.
- Enoto očistite z vlažno krpo in blagim detergentom.
- za čiščenje plastičnega dela ročaja ne uporabljajte močnih čistilnih sredstev. Poškodujejo ga lahko določena aromatična olja, kot sta olje bora in limone, ter toplata, kot je kerozin. Vlaga prav tako lahko ustvari nevarnost električnega udara. Vlago obrišite z mehko in suho krpo.

MAZANJE ZOBNIKOV

Zobnike v ohišju je potrebno redno mazati z mazivom za zobnike. Raven maziva preverite približno vsakih 50 ur delovanja, tako da odstranite tesnilni vijak pri strani ohišja.

Če pri strani zobnikov ne vidite maziva, sledite spodnjim korakom in ohišje napolnite z mazivom do 3/4 prostornine.

Ohišja z zobniki ne napolnite povsem.

1. Kosilnico z nitko obrnite na stran, da je tesnilni vijak obrnjen navzgor.
2. S priloženim večnamenskim ključem odvijte vijak in ga odstranite.
3. Z brizgalko (ni priložena) vbrizgajte nekaj maziva v luknjo vijaka. Ne napolnite več kot 3/4 prostornine ohišja.
4. Privijte tesnilni vijak.

SHRANJEVANJE ENOTE

- Iz kosilnice odstranite baterijski sklop.
- Orodje pred shranjevanjem temeljito očistite.
- Če priključek za kosilnico z nitko odstranite in shranite ločeno od pogonske enote: namestite pokrov na gred priključka, da umazanija ne pride v spojnik.
- Shranite ga v suhem in dobro zračenem prostoru, ki se zaklepa ali je dvignjen, da ne bo na dosegu otrok. Enote ne shranjujte na ali v bližini gnojil, bencina ali drugih kemikalij.

Varovanje okolja

Električne opreme, polnilnika baterij in baterij/baterij, ki jih je mogoče polniti, ne odvrzite med gospodinjske odpadke!

V skladu z evropskim zakonom 2012/19/EU glede električne in elektronske opreme, ki ni več uporabna, in v skladu z evropskim zakonom 2006/66/EC glede pokvarjenih ali izrabljenih baterijskih sklopov/baterij, je treba baterije zbrati ločeno.

Če električne naprave odvržete na smetišča, lahko nevarne snovi pronicajo v podtalnico in tako pridejo v prehranjevalno verigo, s čimer ogrozijo vaše zdravje in dobro počutje.

SL

ODPRAVLJANJE TEŽAV

TEŽAVA	VZROK	REŠITEV
Kosilnica z nitko se ne vključi.	<ul style="list-style-type: none"> ■ Baterijski sklop ni nameščen na pogonsko enoto. ■ Med pogonsko enoto in baterijskim sklopom ni električnega stika. ■ Baterijski sklop je izpraznjen. ■ Vzvod za odklepanje in sprožilec nista bila pritisnjena hkrati. 	<ul style="list-style-type: none"> ■ Baterijski sklop namestite na pogonsko enoto. ■ Odstranite baterijo, preverite kontakte in ponovno namestite baterijski sklop, tako da se zaskoči. ■ Baterijske sklope polnite s polnilniki EGO, ki so navedeni v tem priročniku. ■ Vzvod za odklepanje pritisnite navzdol in ga pridržite, nato pritisnite sprožilec, da vključite kosilnico z nitko.
Kosilnica z nitko se med delovanjem ustavi.	<ul style="list-style-type: none"> ■ Na kosilnici z nitko ni nameščenega ščitnika, kar je povzročilo predolgo nitko in preobremenjenost motorja. ■ Uporabljajte težko nitko za košnjo. ■ Gred motorja ali glava kosilnice nitke je zamašena s travo. ■ Motor je preobremenjen. 	<ul style="list-style-type: none"> ■ Odstranite baterijski sklop in ščitnik namestite na kosilnico z nitko. ■ Uporabljajte standardno najlonsko nitko za košnjo s premerom do 2,4 mm. ■ Ustavite kosilnico z nitko, odstranite baterijo in odstranite travo iz gredi motorja in glave kosilnice z nitko. ■ Glavo kosilnice z nitko odstranite iz trave. Motor bo zopet deloval, ko boste odstranili obremenitev. Pri košnji premikajte glavo kosilnice z nitko v in iz trave ter je ne ob enem rezu ne premaknite več kot 20 cm. ■ Baterijski sklop ali kosilnico z nitko ohladite do temperature, ki je nižja od 67 °C . ■ Ponovno namestite baterijski sklop. ■ Baterijske sklope polnite s polnilniki EGO, ki so navedeni v tem priročniku.
	<ul style="list-style-type: none"> ■ Baterijski sklop ali kosilnica z nitko je prevroča. ■ Baterijski sklop je odklopljen iz orodja. ■ Baterijski sklop je izpraznjen. 	

TEŽAVA	VZROK	REŠITEV
Glava kosilnice z nitko ne podaja nitke.	<ul style="list-style-type: none"> ■ Gred motorja ali glava kosilnice nitke je zamašena s travo. ■ Na vretenu ni dovolj nitke. ■ Glava kosilnice z nitko je umazana. ■ Nitka je zavozlana v držalu vretena. ■ Nitka je prekratka. 	<ul style="list-style-type: none"> ■ Ustavite kosilnico z nitko, odstranite baterijo in odstranite travo iz gredi motorja in glave kosilnice z nitko. ■ Odstranite baterijo in namestite nitko. Pri tem sledite navodilom v razdelku »ZAMENJAVA NITKE« tega priročnika. ■ Odstranite baterijo in očistite vreteno, držalo vretena in podnožje vretena. ■ Odstranite baterijo, odstranite nitko z vretena in jo ponovno navijte. Pri tem sledite navodilom v razdelku »ZAMENJAVA NITKE« tega priročnika. ■ Odstranite baterijo in povlecite nitko, medtem ko izmenično pritisnete in sprostite gumb udarne glave.
Trava se ovija okrog glave kosilnice z nitko in ohišja motorja.	<ul style="list-style-type: none"> ■ Travo režite pri tleh. 	<ul style="list-style-type: none"> ■ Visoko travo kosite z vrha navzdol in je naenkrat ne pokosite več kot 20 cm, da preprečite ovijanje.
Rezilo ne reže nitke za košnjo.	<ul style="list-style-type: none"> ■ Rezilo z nitko na robu ščitnika je postalo topo. 	<ul style="list-style-type: none"> ■ Rezilo za rezanje nitke za košnjo naostrite s pilo ali ga zamenjate z novim rezilom.
Razpoke na glavi kosilnice z nitko ali pa se je držalo vretena zrahljalo s podnožja vretena.	<ul style="list-style-type: none"> ■ Glava kosilnice z nitko je izrabljena. 	<ul style="list-style-type: none"> ■ Glavo kosilnice takoj zamenjajte; glejte poglavje »ZAMENJAVA GLAVE KOSILNICE« v tem priročniku.
Med zamenjavo nitke slednje ni mogoče pravilno namestiti v glavo kosilnice z nitko.	<ul style="list-style-type: none"> ■ Črta LOAD na držalu vretena ni poravnana z vstavitvenimi odprtini na podnožju vretena. ■ Nitka ni pravilno nameščena v luknjo za namestitev v vstavitveni odprtini. 	<ul style="list-style-type: none"> ■ Držalo vretena zasučite v smeri puščice, da poravnate črte LOAD na držalu vretena z vstavitvenimi odprtini na podnožju vretena. ■ Najprej poravnajte črte LOAD z vstavitvenimi odprtini, nato vstavite nitko v odprtino za namestitev v vstavitveni odprtini.

SL

GARANCIJA

GARANCIJSKA POLITIKA DRUŽBE EGO

Za popolne pogoje garancijske politike družbe EGO obiščite spletno stran egopowerplus.com.

PERSKAITYKITE VISĄ INSTRUKCIJĄ!



PERSKAITYKITE NAUDOJIMO INSTRUKCIJĄ

⚠ Liekamoji rizika! Žmonės, kuriems implantuoti elektroniniai prietaisai, pvz., širdies stimulatoriai, prieš pradėdami naudoti šį gaminį turėtų pasikonsultuoti su savo gydytoju (-ais). Šalia širdies stimulatoriaus veikianti elektros įranga gali sukelti širdies stimulatoriaus veikimo trukdžius arba gedimą.

⚠ ĮSPĖJIMAS: Norint užtikrinti saugų ir patikimą gaminio naudojimą, visus remonto ir keitimo darbus turi atlikti kvalifikuotas techninės priežiūros specialistas.

SAUGOS SIMBOLIAI

Šių simbolių paskirtis – atkreipti dėmesį į galimus pavojus. Gerai susipažinkite su saugos simboliais bei jų paaiškinimais ir juos išsidėmkite. Simbolių įspėjimai patys savaime negali apsaugoti nuo pavojų. Jais žymimi nurodymai ir įspėjimai neatstoja tinkamų nelaimingų atsitikimų prevencijos priemonių.

⚠ ĮSPĖJIMAS: Prieš pradėdami naudoti šį įrankį perskaitykite visus šioje naudojimo instrukcijoje pateiktus saugos nurodymus, taip pat susipažinkite su visais saugos įspėjamaisiais simboliais, tokiais kaip „**PAVOJUS**“, „**ĮSPĖJIMAS**“ ir „**DĖMESIO**“, ir įsitikinkite, kad juos supratote. Nesilaikant visų toliau išdėstytų nurodymų galima patirti elektros smūgį, sukelti gaisrą ir (ar) sunkiai susižaloti.

LT

SIMBOLIO REIKŠMĖ

⚠ SAUGOS ĮSPĖJAMASIS SIMBOLIS: rodo **PAVOJŲ**, **ĮSPĖJIMĄ** ar **DĖMESIO** ir gali būti naudojamas su kitais simboliais ar piktogramomis.



⚠ ĮSPĖJIMAS: naudojant bet kokius elektrinius įrankius, į akis gali patekti ir sunkiai sužaloti įrankio išsviesti svetimkūniai. Prieš pradėdami naudoti elektriniu įrankiu, visada užsidėkite apsauginius akinius arba apsauginius akinius su šonine apsauga ir, kai reikia, visą veidą dengiantį skydelį. Rekomenduojame ant akinių uždėti platų matymo lauką užtikrinančią apsauginę kaukę arba užsidėti standartinius apsauginius akinius su šonine apsauga.

SAUGOS NURODYMAI

Šiame puslapyje pavaizduoti ir aprašyti saugos simboliai, kurių gali būti ant šio gaminio. Prieš pradėdami įrankį surinkinėti ir naudoti, perskaitykite visus ant jo pateiktus nurodymus, įsitikinkite, kad juos supratote, ir jų laikykitės.

	Saugos įspėjimas	Rodo galimą sužalojimo pavojų.
	Perskaitykite naudojimo instrukciją	Kad sumažintų pavojų susižaloti, naudotojas turi perskaityti naudojimo instrukciją ir įsitikinti, kad ją suprato.
	Dėvėkite akių apsaugos priemones	Naudodami šį gaminį visada užsidėkite apsauginius akinius arba apsauginius akinius su šonine apsauga ir visą veidą dengiantį skydelį.
	Dėvėkite ausų apsaugos priemones	Būtinai naudokite klausos organų apsaugą (ausų kamščius arba apsaugines ausines).
	Užsidėkite galvos apsaugos priemonę	Galvai apsaugoti užsidėkite patvirtintą apsauginį šalną.
	Mūvėkite apsaugines pirštines	Mūvėkite apsauginėmis pirštinėmis, tvarkydami pjovimo diską ar jo apsaugą. Tvirtomis neslidžiomis pirštinėmis įrankį galima geriau suimti ir apsaugoti rankas.
	Avėkite apsauginę avalynę	Dirbdami šia įranga avėkite neslidžią apsauginę avalynę.
	Pjovimo plotis	Didžiausias žoliapjovės pjovimo tako plotis
	Linijos skersmuo	Nailoninio pjovimo valo skersmuo
	Neapskritas pjovimo diskas	Negalima tvirtinti apskritų pjovimo diskų.

	Neleiskite artintis pašaliniams asmenims	Užtikrinkite, kad kiti žmonės ir augintiniai būtų ne mažesniu nei 15 m atstumu nuo žoliapjovės, kai ji naudojama.
	Neleiskite artintis pašaliniams asmenims	Užtikrinkite, kad kiti žmonės ir augintiniai būtų ne mažesniu nei 15 m atstumu nuo žoliapjovės, kai ji naudojama.
	Nenaudokite lyjant lietu	Lyjant nenaudokite ir nepalikite lauke.
	CE	Šis gaminytis atitinka taikomas EB direktyvas.
	WEEE	Elektros prietaisų atliekas draudžiama utilizuoti kartu su buitinėmis atliekomis. Perduoti įgaliotam perdirbėjui.
	triukšmas	Garantuojamas garso galios lygis. Triukšmo sklaida į aplinką atitinka Europos Bendrijos direktyvą.
V	Voltas	Įtampa
mm	Milimetras	Ilgis arba dydis
cm	Centimetras	Ilgis arba dydis
kg	Kilogramas	Svoris

BENDRIEJI SAUGOS NURODYMAI DĖL ELEKTRINIO ĮRANKIO

⚠ ĮSPĖJIMAS. perskaitykite ir peržiūrėkite visus su šiuo elektriniu įrankiu pateiktus saugos nurodymus, instrukcijas, paveikslus ir specifikacijas. Nesilaikant visų toliau išdėstytų nurodymų galima patirti elektros smūgį, sukelti gaisrą ir (ar) sunkiai susižaloti.

Išsaugokite visus įspėjimus ir nurodymus, kad prirėkūs galėtumėte pasižiūrėti.

Terminu „elektrinis įrenginys“ įspėjimuose vadinamas elektros energiją (prijungtas laidu) naudojantis

elektrinis įrenginys arba baterijos energiją naudojantis (akumulatorinis) elektrinis įrenginys.

DARBO VIETOS SAUGA

- Darbo vieta turi būti švari ir gerai apšviesta. Jei darbo vieta netvarkinga ar blogai apšviesta, gali įvykti nelaimingų atsitikimų.
- Nedirbkite su elektros prietaisu sprogoje aplinkoje, pavyzdžiui, ten, kur yra degių skysčių, dujų arba dulkių. Elektros prietaisai gali kibirkščiuoti, o nuo kibirkščių gali užsidegti dulkės arba susikaupę garai.
- Dirbdami su elektros prietaisu neleiskite šalia būti vaikams ir pašaliniams stebėtojams. Dėl dėmesį blaškanciu asmenų galite nesuvaldyti įrankio.

ASMENINĖ SAUGA

- Dirbdami su elektriniu įrankiu, būkite budrūs, stebėkite ką darote ir vadovaukitės sveika nuovoka. Nedirbkite su prietaisu, jei esate pavargę arba vartojote narkotikus, alkoholi ar medikamentus. Neatidumo akimirka dirbant su elektriniu įrankiu gali lemti sunkią traumą.
- Naudokite asmenines apsaugos priemones. Visada dėvėkite apsauginius akinius. Naudojant asmenines apsaugos priemones, pvz., apsaugos nuo dulkių kaukę, neslystančius batus, apsauginį šalną ar klausos apsaugos priemones, rekomenduojamas dirbant tam tikromis sąlygomis, sumažėja pavojus susižeisti.
- Saugokitės atsitiktinio paleidimo. Prieš jungdami įrenginį prie maitinimo šaltinio ir (ar) sudėtinės baterijos, paimdami ar nešdami įrenginį, įsitinkinkite, kad jungiklis yra išjungtoje padėtyje. Nešant elektrinius įrankius uždėjęs pirštą ant jungiklio arba prijungiant elektrinių įrankių maitinimą, kai jungiklis įjungtas, gali įvykti nelaimingas atsitikimas.
- Prieš įjungdami elektrinį įrankį, patraukite į šalį visus reguliavimo raktus ir veržliarakčius. Paikūs veržliarakčių arba raktą uždėję ant sukamosios elektrinio įrankio dalies, galima susižaloti.
- Nepraraskite pusiausvyros. Visada tvirtai stovėkite ir išlaikykite pusiausvyrą. Tuomet geriau suvaldysite elektrinį įrankį netikėtose situacijose.
- Tinkamai apsirenkite. Nedėvėkite laisvų drabužių ir nenešiokite laisvai kabančių papuošalų. Plaukus, drabužius ir pirštines laikykite toliau nuo judamųjų dalių. Laisvus drabužius, papuošalus ar ilgus plaukus gali įtraukti judamosios dalys.
- Jei yra numatyta galimybė prijungti dulkių nusiurbimo ar surinkimo įtaisus, visada užtikrinkite, kad jie būtų prijungti ir naudojami teisingai. Naudojant dulkių filtravimo įtaisus galima sumažinti kenksmingas dulkių poveikį.

LT

- Dažnai naudodami įrankius pernelyg savimi nepasitikėkite ir nepraraskite budrumo, kad paisytumėte saugaus įrankio naudojimo taisyklių. Užtenka akimirks, kad dėl neatsargaus veiksmo sunkiai susižalotumėte.

ELEKTRINIO ĮRANKIO NAUDOJIMAS IR PRIEŽIŪRA

- **Elektrinio įrankio neforsuokite. Naudokite jūsų darbui tinkamą elektrinį įrankį.** Veikdamas numatytuju greičiu, tinkamas elektrinis įrankis darba atlieka veiksmingiau ir saugiau.
- **Nenaudokite elektrinio įrankio, jei jungiklis jo neįjungia arba neišjungia.** Bet koks elektrinis įrankis, kurio jungiklis neveikia, yra pavojingas ir jį būtina sutaisyti.
- **Nenaudokite prietaisą laikykite vaikams ir nemokantiems juo naudotis asmenims neprieinamoje vietoje.** Neapmokytų naudotojų naudojami elektriniai įrankiai kelia pavojų.
- **Tinkamai prižiūrėkite elektrinius įrankius ir priedus.** Patikrinkite, ar judamosios dalys išcentruotos ir nestringa, ar nėra sulūžusių dalių ar kitų sąlygų, kurios gali turėti įtakos elektrinio įrankio veikimui. Jei elektrinis įrankis sugedęs, prieš naudodami jį sutaisykite. Dauguma nelaimingų atsitikimų įvyksta dėl prastai prižiūrimų elektrinių įrankių.
- **Pjovimo įrankiai turi būti aštrūs ir švarūs.** Tinkamai prižiūrimi pjovimo įrankiai aštriais ašmenimis rečiau stringa ir lengviau valdomi.
- **Elektrinį įrankį, priedus, antgalius ir kitas dalis naudokite pagal šią instrukciją, atsižvelgdami į darbo sąlygas ir atliekamą darbą.** Naudojant elektrinį įrankį ne pagal numatytąją paskirtį, gali susidaryti pavojinga situacija.
- **Įrankių rankenos ir sugriebimo paviršiai turi būti sausi, švarūs ir neištepti alyva ar tepalu.** Dėl slidžių rankenų ir sugriebimo paviršių įrankį sunku saugiai valdyti ir jis gali išsprūsti netikėtomis aplinkybėmis.
- **Pasirūpinkite, kad teritorijoje, kurioje dirbama šiuo įrankiu, nebūtų laidų.** Darbo metu laidų gali nesimatyti ir juos galima atsitiktinai pažeisti įrankiu.

AKUMULIATORINIŲ ĮRANKIŲ NAUDOJIMAS IR PRIEŽIŪRA

- **Įkraukite naudodami tik gamintojo nurodytą įkroviklį.** Naudojant įkroviklį, skirtą kito tipo sudėtinėi baterijai, gali kilti pavojus sukelti gaisrą.
- **Elektrinius įrankius naudokite tik su jiems skirtomis sudėtinėmis baterijomis.** Naudojant kitokias sudėtinės baterijas, gali kilti pavojus susižaloti ir sukelti gaisrą.

- **Nenaudojama sudėtinė baterija turi būti laikoma atokiau nuo metalinių daiktų, tokių kaip sąvaržėlės, monetos, raktai, viny, varžtai ar kiti smulkūs metaliniai daiktai, galintys sujungti abu baterijos gnybtus.** Įvykus tumpajam jungimui tarp baterijos gnybtų galima nusidenginti ar gali kilti gaisras.
- **Dėl netinkamų sąlygų iš baterijos gali ištekėti skystis – nelieskite jo.** Skysčiui atsitiktinai patekus ant odos, nedelsiant nuplaukite vandeniu. Jeigu skystis pateko į akis, kreipkitės ir į gydytojus. Iš baterijos ištekėjęs skystis gali dirginti arba nudeginti.
- **Nenaudokite pažeistos ar modifikuotos sudėtinės baterijos ar įrankio.** Tokios netinkamos sudėtinės baterijos gali kelti gaisro, sprogo ar sužalojimo pavojų.
- **Sudėtinės baterijos ar įrankio negalima deginti ar kaitinti.** Bateriją deginant ar įkaitinus virš 100 °C ji gali sprogti.
- **Laikykitės įrankio ar sudėtinės baterijos įkrovimo instrukcijų ir įkrovimą vykdykite nurodytame temperatūrų diapazone.** Priešingu atveju galite sugadinti sudėtinę bateriją ar net sukelti gaisrą.

TECHNINĖ PRIEŽIŪRA

- Techninės priežiūros darbus turi atlikti kvalifikuotas remonto meistras, naudodamas tik identiškas atsargines dalis. Taip elektrinis įrankis išliks saugus.
- Niekada neremontuokite sugadintos sudėtinės baterijos. Tokias baterijas remontuoti gali tik gamintojas arba įgalioto techninės priežiūros centro specialistai.

⚠ ĮSPĖJIMAS. Perskaitykite ir peržiūrėkite visus su šiuo elektriniu įrankiu pateiktus saugos nurodymus, instrukcijas, iliustracijas ir specifikacijas. Nesilaikant visų toliau išdėstytų nurodymų galima patirti elektros smūgį, sukelti gaisrą ir (arba) sunkiai susižaloti. Visus įspėjimus ir instrukcijas saugokite vėlesniam naudojimui.

Visus įspėjimus ir instrukcijas saugokite vėlesniam naudojimui.

MOKYMAI

- Atidžiai perskaitykite instrukciją. Susipažinkite su valdikiiais ir nurodymais, kaip tinkamai naudoti įrenginį.
- Įrankio niekada neleiskite naudoti asmenims arba vaikams, nesusipažinusiems su šia instrukcija. Vietiniai teisės aktai gali riboti operatoriaus amžių.
- Atsiminkite, kad operatorius arba naudotojas atsako už nelaimingus atsitikimus ir pavojus, keliamus kitiems žmonėms ir jų turtui.

PASIRUOŠIMAS

- Niekada nenaudokite įrenginio, kai netoliese yra žmonių, ypač vaikų, arba augintinių.
- Dirbdami su elektriniu įrankiu visą laiką dėvėkite akių apsaugą ir tvirtą avalynę.
- Visi pašaliniai asmenys turi būti laikyti bent 15 m atstumu nuo įrenginio.
- Niekada nedirbkite su įrenginiu, jeigu operatorius yra pavargęs, serga arba yra veikiamas alkoholio arba vaistų.

NAUDOJIMAS

- Veją pjaukite tik dieną arba esant tinkamam dirbtiniam apšvietimui.
- Niekada nenaudokite įrenginio, kai saugos priemonės ar skydeliai yra sugadinti arba neuždėti.
- Variklį įjunkite tik rankas ir kojas laikydami atokiau nuo pjovimo priemonių.
- Visada įrenginį atjunkite nuo maitinimo šaltinio (t. y. išimkite akumuliatorių):
 - kai paliekate įrenginį be priežiūros;
 - prieš patraukdami klūtį;
 - prieš tikrindami, valydami įrenginį arba dirbdami prie jo;
 - kliudę pašalinį daiktą;
 - jei įrenginys pradeda neįprastai vibruoti.
- Būkite atsargūs, kad pjovimo priemonės nesusižalotų pėdų ir rankų.
- Užtikrinkite, kad ventiliacijos angose niekada nebūtų pašalinių objektų.

TECHNINĖ PRIEŽIŪRA IR LAIKYMAS

- Prieš vykdami techninės priežiūros ar valymo darbus atjunkite įrenginį nuo maitinimo šaltinio (t. y. išimkite akumuliatorių).
- Naudokite tik gamintojo rekomenduojamas atsargines dalis ir priedus.
- Įrenginį reguliariai apžiūrėkite ir tvarkykite. Įrenginio remontą patikėkite tik įgaliotam remonto centrui.
- Kai nenaudojamas, laikykite įrenginį vaikams nepasiekiamoje vietoje.

KITI SAUGOS ĮSPĖJIMAI

- Venkite pavojingos aplinkos – nenaudokite įrenginio ant drėgnų arba šlapių šlaitų.
- Nenuimkite uždėtų techniškai tvarkingų apsaugos priemonių.
- Atitraukite rankas ir kojas nuo pjovimo zonos.

- Kad sumažintumėte susižalojimo pavojų, niekada nedirbkite stovėdami ant kopėčių ar ant kito nestabiliaus pagrindo. Niekada pjovimo priedo nelaikykite išklė aukščiau juosmens lygio.
- Darbo metu pjovimo priedą tikrinkite reguliariai arba tuoj pat, jei pastebite pasikeitusį pjovimo pobūdį.
- Siekiant geriausių rezultatų, akumuliatorius turėtų būti įkraunamas vietoje, kurioje temperatūra yra didesnė nei 5 °C ir mažesnė nei 40 °C. Nelaikykite jo lauke arba transporto priemonėse.
- Jeigu link jūsų artėja asmuo, nedelsdami išjunkite variklį ir sustabdykite pjovimo priedą.
- Įspėkite operatorių apie pjovimo galvutės atatrankos pavojų (tik naudojant tridantį diską).
 - Atatranka gali įvykti, kai besisukantis pjovimo diskas prisiliečia prie klūties, kurios jis negali iš karto perpjauti.
 - Pjovimo disko atatranka gali būti gana stipri ir atstumti įrankį ir (ar) operatorių bet kuria kryptimi (galima nesuvaldyti įrankio).
 - Pjovimo disko atatranka gali įvykti netikėtai, jei diskas užkliūna ar įstringa.
 - Tokia atatranka dažniausiai įvyksta tokiose vietose, kur sunku įžiūrėti pjaunamą medžiagą.
- Netvirtinkite prie pjovimo galvutės jokių diskų, tinkamai neuždėję visų būtinų dalių. Neuždėjęs reikiamų dalių diskas gali atitrūkti ir skriedamas sunkiai sužaloti patį operatorių ir (ar) pašalinius asmenis. Išmeskite sulinkusius, deformuotus, įtrūkusius, sulūžusius ar kitaip pažeistus pjovimo diskus. Naudokite išgalastus diskus. Atšipę diskai dažniau stringa ir atšoka (tik naudojant tridantį diską).
- Iš inercijos besisukantis pjovimo diskas (lynelis) gali sužaloti, kai jis sukasi atleidus jungiklį ir išjungus variklį. Nepraraskite budrumo, kol pjovimo diskas (lynelis) visiškai sustos.
- Akumuliatorinių įrankių nereikia jungti į elektros lizdą; dėl to jie visada yra darbinėje būklėje. Net įrankiui neveikiant neužmirškite apie jo keliamus pavojus. Atlikdami remonto arba techninės priežiūros darbus, būkite atidūs.
- Neplaukite vandens žarna. Saugokite, kad vandens nepatektų ant variklio ir elektros jungčių.
- Susidarius šioje instrukcijoje neaprašytoms aplinkybėms, būkite atsargūs ir vadovaukitės sveika nuovoka. Pagalbos kreipkitės į EGO klientų aptarnavimo centrą.
- Naudokite tik su A paveiksle nurodytomis sudėtinėmis baterijomis ir įkrovikliais.

LT

IŠSAUGOKITE ŠIAS INSTRUKCIJAS!

TECHNINIAI DUOMENYS

Pjovimo mechanizmas	Pjovimo galvutė
Valo skersmuo	2,4 mm nailoninis susuktas valas
Pjovimo plotis	38 cm
Sūčiai be apkrovos	5000/6000 min ⁻¹
Svoris (be sudėtinės baterijos)	1,59 kg
Rekomenduojama darbo temperatūra	0°C-40°C
Rekomenduojama laikymo temperatūra	-20°C-70°C
Išmatuotas garso galios lygis L _{WA}	94,6 dB(A) K=1,80 dB(A)
Garso slėgio lygis ties operatoriaus ausimi L _{PA}	83,2 dB(A) K=3 dB(A)
Garantuojamas garso galios lygis L _{WA} (išmatuotas pagal 2000/14/EB)	96 dB(A)
Vibracija a _h	Priekinė pagalbinė rankena
	Galinė rankena
	1,1 m/s ² K=1,5 m/s ²
	1,4 m/s ² K=1,5 m/s ²

- Pirmiau nurodyti parametrai išbandyti ir išmatuoti naudojant elektrinę galvutę PH1400E.
- Nurodyta bendroji vibracijos vertė išmatuota taikant standartinį bandymo metodą, todėl pagal ją galima palyginti skirtingus įrenginius.
- Nurodytą bendrąją vibracijos vertę taip pat galima naudoti pirminiam poveikio vertinimui.

PASTABA: Naudojant įrenginį realiomis sąlygomis, skleidžiamos vibracijos stiprumo vertė gali skirtis nuo nurodytos. Kad apsaugotų dirbdamas realiomis sąlygomis, naudotojas turi mūvėti pirštines ir naudoti ausų apsaugos priemones.

PAKUOTĖS TURINIO SĄRAŠAS

DALIES PAVADINIMAS	SKAIČIUS
Žoliapjovės įtaisas	1
Apsaugos priemonė	1
Šešiakampis Raktas	1
Daugiafunkcis veržliaraktis	1

Naudojimo instrukcija	1
-----------------------	---

Norėdami sužinoti, koks valas rekomenduojamas, apsilankykite interneto svetainėje egopowerplus.com arba žr. EGO gaminių katalogą

APRAŠAS

PAŽINKITE ŽOLIAPJOVĖS ĮTAISĄ (A pav.)

1. Kamštelis
2. Žoliapjovės velenas
3. Pjovimo valas
4. Žoliapjovės galvutė (Bump Head)
5. Atlaisvinimo auselė
6. Valo nukirtimo peilis
7. Apsaugos priemonė
8. Šešiabriaunis raktas
9. Daugiafunkcis veržliaraktis

⚠️ ĮSPĖJIMAS. niekada nenaudokite įrenginio, kai jo apsaugos priemonė nėra tvirtai užfiksuota tinkamoje padėtyje. Kad apsaugotų naudotoją, apsauga visada turi būti uždėta ant įrankio.

SURINKIMAS

⚠️ ĮSPĖJIMAS: jeigu bet kuri dalis yra sugadinta arba jos trūksta, nenaudokite šio įrenginio, kol ji nebus pakeista. Jeigu įrenginys naudojamas, kai dalys yra sugadintos arba jų trūksta, galima sunkiai susižeisti.

⚠️ ĮSPĖJIMAS: nebandykite keisti šio įrenginio arba kurti priedus, kurių nerekomenduojama naudoti su šia žoliapjove. Bet koks pakeitimas arba modifikavimas yra laikomas netinkamu naudojimu, dėl kurio gali susidaryti pavojingos sąlygos, kurių metu galite sunkiai susižaloti.

ĮSPĖJIMAS. Prie elektrinės galvutėsjunkite tik visiškai surinkę. Nesilaikant šio nurodymo gali būti netyčia įjungtas įrankis ir sunkiai sužeisti žmonės.

APSAUGOS PRIEMONĖS MONTAVIMAS

⚠️ ĮSPĖJIMAS. Montuodami arba keisdami apsaugą būtinai mūvėkite pirštines. Atidžiai elkitės su ant apsaugos esančiu peiliu ir saugokite rankas, kad neįsijautumėte.

Atlaisvinkite ir nuimkite du varžtus nuo veleno pagrindo (C pav.), sulyinkite apsaugos priemonės tvirtinimo skyles su bloko skylėmis, tada pritvirtinkite apsaugos priemonę ant veleno pagrindo dviem varžtais kartu su dviem spyruoklinėmis poveržlėmis (D pav.).

Įsitikinkite, kad apsaugos priemonė pritvirtinta pagal C & D pav., nes dėl bet kokio pritvirtinimo atvirkščiai kils didelis pavojus!

ŽOLIAPJOVĖS ĮTAISO JUNGIMAS PRIE ELEKTRINĖS GALVUTĖS

Šis žoliapjovės įtaisas skirtas naudoti su EGO gamybos elektrine galvute PH1400E.

Žr. elektrinės galvutės PH1400E naudojimo instrukcijos skyrių **ĮTAISO MONTAVIMAS ANT ELEKTRINĖS GALVUTĖS**.

NAUDOJIMAS

⚠️ ĮSPĖJIMAS: mokėjimas naudotis įrenginiu nesuteikia teisės dirbti nerūpestingai. Atsiminkite, kad trumpam atitraukę dėmesį galite sunkiai susižaloti.

⚠️ ĮSPĖJIMAS: Būtinai naudokite akių ir klausos organų apsaugos priemones. Nesilaikant šio nurodymo į akis gali pateikti išsviestų daiktų arba galite kitaip sunkiai susižeisti.

NAUDOJIMAS

Gaminį galima naudoti toliau išvardytais tikslais.

- Žolės ir piktžolių pjovimas aplink verandas, tvoras ir terasas.

PASTABA. Įrankį galima naudoti tik pagal nurodytą paskirtį. Naudojimas bet koku kitu tikslu laikomas netinkamu naudojimu.

Kaskart prieš naudodami tikrinkite, ar nėra sugadintų arba nusidėvėjusių dalių

Apžiūrėkite žoliapjovės galvutę, apsaugos priemonę ir priekinę pagalbinę rankeną. Pakeiskite sutrūkinėjusias, pakeitusias formą, sulinkusias arba bet kaip kitaip pažeistas dalis.

Valo nukirtimo peilis, esantis apsaugos pakraštyje, laikui bėgant gali atšipti. Rekomenduojama reguliariai galąsti jį dilde arba pakeisti nauju.

⚠️ ĮSPĖJIMAS. Montuodami arba keisdami apsaugą, galąsdami arba keisdami peilį būtinai mūvėkite pirštines. Nepamirškite, kurioje vietoje ant apsaugos yra peilis, ir saugokite rankas, kad neįsipjautumėte.

⚠️ ĮSPĖJIMAS. Kad išvengtumėte sunkių traumų, prieš atlikdami techninę priežiūrą, valydami įrankį, keisdami priedus arba valydami žolės likučius iš elektrinės galvutės išimkite akumuliatorių.

ŽOLIAPJOVĖS NAUDOJIMAS SU ELEKTRINE GALVUTE

⚠️ ĮSPĖJIMAS. Siekdami sumažinti susižeidimo riziką, įrankį naudokite tinkamai apsirengę. Nedėvėkite laisvų drabužių ir nenešiotkite laisvai kabančių papuošalų. Naudokite akių ir ausų apsaugas. Mūvėkite tvirtos medžiagos ilgias kelnes ir pirštines, avėkite tinkamus batus. Nedirbkite su trumpomis kelnėmis, su sandalais ar basomis.

⚠️ ĮSPĖJIMAS. Kaskart prieš naudodami išvalykite pjaunamą plotą. Pašalinkite visus daiktus, pvz., akmenis, stiklo duženas, vinis, vielas arba virveles, kuriuos pjovimo įtaisas gali išsviesti arba kurie gali įstrigti įtaise. Pasirūpinkite, kad darbo zonoje nebūtų vaikų, pašalinių asmenų bei naminių gyvūnų. Vaikai, pašaliniai asmenys bei naminiai gyvūnai turi būti nutolę ne mažesniu kaip 15 m atstumu; net ir laikantis šio atstumo, žoliapjovės sviedžiamų objektų pavojus pašaliniams asmenims išlieka. Šalia esantys asmenys turėtų dėvėti akių apsaugą. Jeigu matote jūsų link artėjantį asmenį, nedelsdami išjunkite įrenginį.

Kad darbas būtų saugesnis ir efektyvesnis, užsidėkite diržą per petį. Pakoreguokite diržą per petį, kad jis atsidurtų patogioje darbinėje padėtyje. Žoliapjovę pjūklą visada laikykite vieną ranką uždėję ant galinės rankenos, o kitą – ant priekinės pagalbinės rankenos. Dirbdami abiem rankomis tvirtai laikykite įrankį. Žoliapjovė turi būti laikoma patogioje padėtyje, galinė rankena turi būti maždaug klubų aukštyje. Žoliapjovės galvutė turi būti lygiagrečiai žemės paviršiui, kad patogiai liestų pjaunamą medžiagą ir operatoriumi nereikėtų lenktis (B pav.).

⚠️ ĮSPĖJIMAS. Diržas per petį yra greitai atkabinas mechanizmas pavojingoje situacijoje. Kritinėje situacijoje nedelsiant nusiimkite diržą nuo peties nesvarbu koku būdu.

Kaskart baigę naudoti išvalykite žoliapjovę

Valymo nurodymus žr. skyriuje PRIEŽIŪRA.

ĮRANKIO PALEIDIMAS IR STABDYMAS

Žr. elektrinės galvutės PH1400E naudojimo instrukcijos skyriuje **ELEKTRINĖS GALVUTĖS PALEIDIMAS IR STABDYMAS**.

PJOVIMO VALO ILGIO REGULIAVIMAS

Naudotojas gali pailginti žoliapjovės galvutės pjovimo valą nestabdydamas variklio. Pjovimo valui atspurus ar sudilus, daugiau valo galima ištraukti, žoliapjovei veikiant nespriai stuktelėjus žoliapjovės galvutę į žemės paviršių (E pav.).

PASTABA. Kuo pjovimo valas trumpesnis, tuo sunkiau jį pailginti.

LT

⚠️ ĮSPĖJIMAS. Neiškinkite ir nekeiskite pjovimo valo nukirtimo peilio konstrukcijos. Jeigu valas per ilgas, gali perkaisti variklis ir galite sunkiai susižeisti.

VALO KEITIMAS

PASTABA: visada naudokite rekomenduojamą nailoninį pjovimo valą, kurio skersmuo neviršija 2,4 mm. Naudojant kitokį, nei nurodyta, pjovimą valą žoliapjovė gali perkaisti arba sugesti.

⚠️ ĮSPĖJIMAS. Niekada nenaudokite metalu armuoto valo, vielos, virvės ar pan. Jie gali nutrūkti ir būti pavojingai išsviesti.

1. Išimkite akumuliatorių.
2. Jei reikia, ištraukite likusį pjovimo valą. Tiesiog ištraukite jį ranka.
3. Atkirpkite 4 m pjovimo valo – [ikiškite valą į plyšelyje esančią montavimo angą (F pav.). Pastumkite valą ir ištraukite kitoje pusėje; traukite, kol abiejose pusėse bus vienodas valo ilgis.
4. Paspaudę ir sukdami rodyklės kryptimi sukdami ritės laikiklį suvyniokite valą ant ritės, kol abiejose pusėse liks maždaug po 14 cm valo (G pav.).
5. Norėdami ištraukti valą nuspauskite ritės laikiklį žemyn ir ranka patraukite valo galus bei patikrinkite, ar tinkamai sumontuota žoliapjovės galvutė.

Jeigu pjovimo valas nutrūksta prie valo išleidimo angos arba stuktėlėjus žoliapjovės galvutę į žemę nepailginamas, atlikite toliau aprašomus veiksmus.

1. Išimkite akumuliatorių.
2. Nuspauskite ritės laikiklio atkabinimo auseles ir tiesiai patraukdami išimkite ritės laikiklį (H ir I pav.).
3. Ištraukite pjovimo valą iš ritės laikiklio.
4. Viena ranka laikydami ritės pagrindą kita suimkite ritės laikiklį ir sutapdinkite atkabinimo auseles su ritės pagrinde esančiomis angomis (J pav.); delnu nuspauskite ir sukite ritės laikiklį, kol atkabinimo auselės užsifiksuos ritės pagrinde (K pav.).
5. Norėdami pakeisti pjovimo valą, laikykites skyriuje VALO KEITIMAS pateiktų nurodymų.

Jeigu įrankį planuojate naudoti kaip krūmapjovę, norėdami išardyti žoliapjovės galvutę laikykitės L & M paveikslė parodytų žingsnių.

TECHNINĖ PRIEŽIŪRA

⚠️ ĮSPĖJIMAS. Prieš atlikdami įrenginio patikrą, valymą ar techninę priežiūrą, sustabdykite variklį, palaukite, kol visos judančios dalys sustos, ir išimkite akumuliatorių. Nesilaikydami šių nurodymų galite sunkiai arba net mirtinai susižaloti arba sugadinti turtą.

⚠️ ĮSPĖJIMAS. Atlikdami techninės priežiūros darbus, naudokite tik identišką atsargines dalis. Naudojant bet kokias kitas dalis gali kilti pavojus arba sugesti gaminys. Kad gaminys būtų saugus ir patikimas, visus šioje priežiūros instrukcijoje neaprašytus remonto darbus turi atlikti kvalifikuotas techninės priežiūros technikas.

BENDROJI PRIEŽIŪRA

Plastikinių dalių nevalykite tirpikliais. Įvairūs komerciniai tirpikliai gali pažeisti daugelį plastikų ir neturėtų būti naudojami, nes gali sugadinti gaminį. Purvą, dulkes, tepalus, riebalus ir panašius nešvarumus valykite švariomis šluostėmis.

ĮRENGINIO VALYMAS

- Nuimkite aplink variklio veleną arba žoliapjovės galvutę apsvyniojusią žolę.
- Šepetėliu arba mažu dulkių siurbliu išvalykite korpuso galinėje dalyje esančias vėdinimo angas.
- Įrenginį valykite silpnu plovikliu suvilgyta šluoste.
- Nenaudokite jokių stiprių ploviklių plastikinių korpuso arba rankenos dalių valymui. Aromatinės alyvos (pušies arba citrinų kvapo) ir tirpikliai, pvz., žibalas, gali jas sugadinti. Drėgmė taip pat gali kelti elektros smūgio pavojų. Bet kokią drėgmę nuvalykite minkštu sausu skudurėliu.

TRANSMISIJOS PAVARŲ TEPIMAS

Pavarų dėžėje įrengtas transmisijos pavaras būtina reguliariai tepti pavarų tepalu. Kas 50 veikimo valandų, atsukę dėžės šone esantį sandarinimo varžtą, tikrinkite pavarų dėžės tepalo lygį.

Jei pavarų šonuose nėra jokių tepalo požymių, pripilkite 3/4 talpos pavarų tepalo pagal toliau pateiktus nurodymus:

Nepripildykite transmisijos pavarų dėžės iki galo.

1. Padėkite žoliapjovės įtaisą ant šono, kad sandarinimo varžtas būtų nukreiptas aukštyn.
2. Pateiktu esančiu daugiafunkciu veržliarakčiu atleiskite ir išsukite sandarinimo varžtą.
3. Tepalo švirkštu (nepateikiamas) į varžto angą įšvirkškite tepalo. Neviršykite 3/4 talpos.
4. Baigę užveržkite sandarinimo varžtą.

ĮRENGINIO SANDĖLIAVIMAS

- Iš žoliapjovės išimkite akumulatorių.
- Prieš sandėliavimą kruopščiai nuvalykite įrenginį.
- Jeigu žoliapjovės įtaisas nuimtas nuo elektrinės galvutės ir laikomas atskirai, ant įtaiso veleno uždėkite kamštėlį, kad į jungiamąją movą nepatektų nešvarumų.
- Įrenginį laikykite sausoje, gerai vėdinamoje, rakinamoje patalpoje arba aukštai, vaikams nepasiekiamoje vietoje. Nelaikykite įrenginio ant arba šalia trąšų, benzino arba kitų chemikalų.

Aplinkos apsauga



Neišmeskite elektros įrangos, akumulatoriaus įkroviklio ir baterijų / akumuliatorių su buitiniemis atliekomis!

Pagal Europos Parlamento ir Tarybos direktyvas 2012/19/EB ir 2006/66/EB nenaudojama elektros bei elektronikos įranga ir nenaudojami arba sugedę akumuliatoriai ir (arba) baterijos turi būti surenkami atskirai.

Elektros prietaisus užkasus su atliekomis arba išmetus sąvartynuose, pavojingos medžiagos gali patekti į gruntinį vandenį ir į maisto grandinę, taip pakenkti jūsų sveikatai ir gerovei.

TRIKČIŲ DIAGNOSTIKA IR JŲ ŠALINIMAS

PROBLEMA	PRIEŽASTIS	SPRENDIMAS
Žoliapjovės nepavyksta paleisti.	<ul style="list-style-type: none"> ■ Akumuliatorius neprijungtas prie elektrinės galvutės. ■ Nėra elektros kontakto tarp elektrinės galvutės ir akumuliatoriaus. ■ Sudėtinė baterija visiškai išsikrovusi. ■ Nenuspausta fiksavimo svirtis ir gaidukas. 	<ul style="list-style-type: none"> ■ Prijunkite akumuliatorių prie elektrinės galvutės. ■ Išimkite akumuliatorių, patikrinkite kontaktus ir vėl įdėkite akumuliatorių, kol užsifiksuos vietoje. ■ Įkraukite akumuliatorių šioje naudojimo instrukcijoje nurodytais EGO įkrovikliais. ■ Kad įjungtumėte žoliapjovę, nuspauskite fiksavimo svirtį ir ją laikykite, o tada nuspauskite gaiduką.
Žoliapjovė sustoja darbo metu.	<ul style="list-style-type: none"> ■ Nesumontuota žoliapjovės apsaugos priemonė, todėl per ilgą pjovimo valas perkrauna variklį. ■ Naudojamas per tvirtas pjovimo valas. ■ Ant variklio veleno arba žoliapjovės galvutės apsvyniojusi žolė. ■ Perkrautas variklis. ■ Sudėtinė baterija arba žoliapjovė yra per daug įkaitusios. ■ Sudėtinė baterija yra atjungta nuo įrenginio. ■ Sudėtinė baterija visiškai išsikrovusi. 	<ul style="list-style-type: none"> ■ Išimkite sudėtinę bateriją ir sumontuokite žoliapjovės apsaugos priemonę. ■ Naudokite rekomenduojamą pjovimo valą, kurio skersmuo ne didesnis kaip 2,4 mm . ■ Sustabdykite žoliapjovę, išimkite sudėtinę bateriją, tada pašalinkite žolę nuo variklio veleno arba žoliapjovės galvutės. ■ Pašalinkite žolę nuo žoliapjovės galvutės. Kai tik bus pašalinta apkrova, variklis pradės veikti kaip įprasta. Pjaudami judinkite pjovimo galvutę link ir nuo pjaunamos žolės, bei vienu kartu nenuėjaukite daugiau kaip 20 cm. ■ Leiskite sudėtinei baterijai arba žoliapjovei atvėsti, iki temperatūra nukris žemiau 67°C . ■ Vėl įstatykite akumuliatorių. ■ Įkraukite akumuliatorių šioje naudojimo instrukcijoje nurodytais EGO įkrovikliais.

PROBLEMA	PRIEŽASTIS	SPRENDIMAS
Žoliapjovės galvutė nepaduoda pjovimo valo.	<ul style="list-style-type: none"> ■ Ant variklio veleno arba žoliapjovės galvutės apsvyriojusi žolė. ■ Ritėje nepakanka pjovimo valo. ■ Purvina žoliapjovės galvutė. ■ Pjovimo valas susipainiojo ant ritės. ■ Pjovimo valas per trumpas. 	<ul style="list-style-type: none"> ■ Sustabdykite žoliapjovę, išimkite sudėtinę bateriją, tada pašalinkite žolę nuo variklio veleno arba žoliapjovės galvutės. ■ Išimkite sudėtinę bateriją ir pakeiskite pjovimo valą; vadovaukitės šio vadovo skyriumi „VALO KEITIMAS“. ■ Išimkite sudėtinę bateriją ir išvalykite ritę, ritės laikiklį ir ritės pagrindą. ■ Išimkite sudėtinę bateriją, nuvyniokite pjovimo valą ir iš naujo jį užvyniokite; vadovaukitės šio vadovo skyriumi „VALO KEITIMAS“. ■ Išimkite sudėtinę bateriją ir patraukite pjovimo valo galus į priešingas puses spausdami ir atleisdami pjovimo valo atleidimo mygtuką.
Žolė apsvyriuoja aplink žoliapjovės galvutę ir variklio korpusą.	<ul style="list-style-type: none"> ■ Aukštą žolę pjaukite palei žemę. 	<ul style="list-style-type: none"> ■ Kad ant žoliapjovės galvutės neapsivyniotų žolė, aukštą žolę pjaukite iš viršaus į apačią, vienu kartu pjaudami ne daugiau kaip 20 cm .
Ašmenys nenupjauna valo..	<ul style="list-style-type: none"> ■ Atšipo pjovimo valo nukirtimo peilis, esantis ant apsaugos priemonės krašto. 	<ul style="list-style-type: none"> ■ Valo nukirtimo peilį paglauskite dilde arba pakeiskite nauju peiliu.
Žoliapjovės galvutės įtrūkimai arba ritės pagrinde atsilaisvino ritės laikiklis.	<ul style="list-style-type: none"> ■ Sudilo žoliapjovės galvutė. 	<ul style="list-style-type: none"> ■ Nedelsdami pakeiskite žoliapjovės galvutę; žr. šios instrukcijos skyriuje ŽOLIAPJOVĖS GALVUTĖS KEITIMAS
Keičiant valą neįmanoma tinkamai jo suvynioti žoliapjovės galvutėje.	<ul style="list-style-type: none"> ■ Ritės laikiklio „LOAD“ linija nesutampa su ritės pagrindo plyšeliais. ■ Pjovimo valas netinkamai įkištas į plyšelyje esančią montavimo kiaurymę. 	<ul style="list-style-type: none"> ■ Pasukite ritės laikiklį rodyklės kryptimi taip, kad sutapdintumėte ritės laikiklio „LOAD“ linijas su ritės pagrindo plyšeliais. ■ Pirmiau sutapdinkite „LOAD“ linijas su plyšeliais, tada įkiškite valą į plyšelyje esančią montavimo kiaurymę.

LT

GARANTIJA

EGO GARANTINIS POLISAS

Norėdami sužinoti visas „EGO“ garantinio poliso sąlygas, apsilankykite interneto svetainėje egopowerplus.com.

APMAĻU GRIEZĒJA PAPILDIERĪCI



Izlasiet Lietošanas Rokasgrāmatu

⚠ Atlikušā sprieguma apdraudējums!

Cilvēkiem, kuri izmanto elektroniskas ierīces, piemēram, elektrokardiostimulatorus, pirms šīs ierīces lietošanas jāsaazinās ar savu ārstējošo ārstu. Elektroierīču darbība tuvu elektrokardiostimulatoram var izraisīt traucējumus vai tā atteici.

⚠ BRĪDINĀJUMS. Lai garantētu drošību un uzticamību, ierīces remontu un tās detaļu nomaiņu veikt drīkst tikai kvalificēts apkopes tehniķis.

DROŠĪBAS APZĪMĒJUMI

Drošības apzīmējumu nolūks ir pievērst uzmanību iespējamiem apdraudējumiem. Drošības apzīmējumiem un to skaidrojumiem jāpievērš īpaša uzmanība, un tie pilnībā jāizprot. Apzīmējumu brīdinājumi paši par sevi nenovērš apdraudējumu. Apzīmējumos iekļautie norādījumi un brīdinājumi neaizstāj atbilstošus darba drošības pasākumus.

⚠ BRĪDINĀJUMS. Pirms šī instrumenta lietošanas izlasiet un izprotiet visus šajā lietotāja rokasgrāmatā ietvertos drošības norādījumus, tostarp visus drošības brīdinājuma simbolus, piemēram, „**BRIESMAS**”, „**BRĪDINĀJUMS**” un „**UZMANĪBU**”. Visu turpmāk uzskaitīto norādījumu neievērošana var izraisīt elektriskās strāvas triecienu, ugunsgrēku un/vai smagus miesas bojājumus.

LV SIMBOLA NOZĪME

⚠ DROŠĪBAS BRĪDINĀJUMA SIMBOLS

Norāda signālvārdu **BRIESMAS, BRĪDINĀJUMS** vai **UZMANĪBU**, var būt norādīts kopā ar citiem simboliem vai piktoqrammām.



⚠ BRĪDINĀJUMS! Jebkura elektroinstrumenta lietošanas laikā iespējamas situācijas, kur svešķermeņi var nonākt acīs, kā rezultātā varat gūt nopietnu acu traumu. Pirms elektroinstrumenta ieslēgšanas vienmēr uzvelciet aizsargbrilles vai aizsargbrilles ar sānu aizsargiem un, ja nepieciešams, pilnu sejas aizsargmasku. Mēs iesakām izmantot aizsargmasku ar plašu skata leņķi, kas tiek vilkta virs parastajām brillēm, vai standarta aizsargbrilles ar sānu aizsargiem.

DROŠĪBAS NORĀDĪJUMI

Šajā lapaspusē ir parādīti un aprakstīti drošības simboli, kas var būt norādīti uz šī izstrādājuma. Pirms iekārtas montāžas un lietošanas izlasiet, izprotiet un ievērojiet visus uz iekārtas sniegtos norādījumus.

	Drošības brīdinājums	Norāda uz iespējamu ievainojumu gūšanas risku.
	Izlasiet lietošanas rokasgrāmatu	Lai mazinātu traumu rašanās bīstamību, pirms šī izstrādājuma lietošanas tā lietotājam jāizlasa un jāizprot operatora rokasgrāmatu.
	Lietojiet aizsargbrilles	Šī izstrādājuma darbināšanas laikā vienmēr valkājiet aizsargbrilles vai aizsargbrilles ar sānu aizsargiem un pilnu sejas aizsargmasku.
	Lietojiet dzirdes aizsar-glīdzekļus	Vienmēr valkājiet trokšņu slāpētājus (ausu ieliktnus vai kašņē), lai aizsargātu dzirdi.
	Lietot galvas aizsar-glīdzekļus	Valkājiet apstiprinātu cieto aizsargcepuri, lai pasargātu savu galvu.
	Lietot aizsargcimdus	Darbojoties ar asmeni vai asmens aizsargu, sargājiet savas rokas, valkājot cimdus. Izturīgi un neslidoši aizsargcimdi palīdz iegūt labāku satvērienu un aizsargāt jūsu rokas.
	Valkāt drošības apavus	Lietojot šo aprīkojumu, valkājiet drošības apavus ar neslidošu zoli.
	Griešanas platums	Maksimālais auskas trimera griešanas platums
	Auskas diametrs	Neilona griešanas auskas diametrs
	Nav paredzēts izmantot apaļas formas asmeni	Neuzstādiet apaļās formas griešanas asmeņus.

	Neļaujiet tuvoties nepiederošām personām	Lietojot auklas trimeri, sekojiet, lai citi cilvēki un mājdzīvnieki atrodas vismaz 15 m attālumā no ierīces.
	Neļaujiet tuvoties nepiederošām personām	Lietojot auklas trimeri, sekojiet, lai citi cilvēki un mājdzīvnieki atrodas vismaz 15 m attālumā no ierīces.
	Nepakļaujiet lietus iedarbībai	Neizmantojiet lietū vai neaustātajā ārā, kamēr līst lietus.
	CE	Šis izstrādājums atbilst piemērojamām EK direktīvām.
	EEIA	Elektrisko izstrādājumu atkritumus nedrīkst izmest kopā ar sadzīves atkritumiem. Nogādāt uz pilnvarotu pārstrādes punktu.
	Troksnis	Garantētais akustiskās jaudas līmenis. Trokšņa emisija vidē atbilstoši Eiropas Kopienas direktīvai.
V	Volti	Spriegums
mm	Milimetrs	Garums vai izmērs
cm	centimetrs	Garums vai izmērs
kg	kilograms	Svars

VISPĀRĒJIE ELEKTROINSTRUMENTA DROŠĪBAS BRĪDINĀJUMI

⚠ BRĪDINĀJUMS! Izlasiet visus ar šo elektroinstrumentu saistītos drošības brīdinājumus, norādījumus, specifikācijas un aplūkojiet attēlus. Visu turpmāk uzskaitīto norādījumu neievērošana var izraisīt elektriskās strāvas triecienu, ugunsgrēku un/vai nopietnas traumas.

Saglabājiet visus brīdinājumus un instrukcijas turpmāki atsaucēi.

Brīdinājumos lietotais termins „elektroinstruments” attiecas uz elektriski darbināmu instrumentu, kura barošanu nodrošina elektrotīkls (ar elektrokabeļi) vai akumulators

(bez elektrokabeļa).

DROŠĪBA DARBA ZONĀ

- Uzturiet darba zonu tīru un labi apgaismotu. Nesakārtotā un slikti apgaismotā darba zonā var notikt nelaimes gadījumi.
- Nedarbiniet elektroinstrumentu sprādzienbīstamā vidē, piemēram, viegli uzliesmojošu šķidrums, gāzu vai putekļu klātbūtnē. Elektroinstrumenti rada dzirksteles, kas var aizdedzināt putekļus vai izgarojumu tvaikus.
- Neļaujiet bērniem un klātesošajiem atrasties elektroinstrumenta tuvumā, kamēr tas darbojas. Apjukuma brīdī Jūs varat zaudēt vadību pār griezējinstrumentu.

PERSONISKĀ DROŠĪBA

- **Darbinot elektroinstrumentu, esiet modri, pievērsiet uzmanību tam, ko Jūs darāt, un rikojieties ar to saprātīgi. Nelietojiet elektroinstrumentu, ja esat noguris, atrodaties apreibinošo vielu vai alkohola iedarbībā vai lietojat medikamentus.** Pat viens mirklis neuzmanības elektroinstrumenta lietošanas laikā var kļūt par cēloni nopietnām traumām.
- **Izmantojiet individuālos aizsarglīdzekļus. Vienmēr valkājiet acu aizsarglīdzekļus.** Ja tiek lietots darba specifikai atbilstošs aizsargaprīkojums, piemēram, maska ar putekļu filtru, neslīdoši darba apavi, ķivere vai austiņas, samazinās traumu gūšanas risks.
- **Novērsiet nejaušas ieslēgšanās iespējamību. Pirms instrumenta pievienošanas strāvas avotam un/vai akumulatoram pārliecinieties, vai slēdzis atrodas izslēgtā stāvoklī.** Elektroinstrumentu pārvietošana, turot pirkstu uz slēdža, vai strāvas padeve elektroinstrumentiem, kuru slēdzis atrodas ieslēgtā stāvoklī, palielina negadījumu risku.
- **Pirms elektroinstrumenta ieslēgšanas izņemiet visas noregulēšanas vai uzgriežņu atslēgas.** Regulēšanas instruments vai atslēga, kas palikusi elektroinstrumenta rotējošās daļās, var izraisīt traumas.
- **Nepārvērtējiet savas spējas. Ieņemiet stabilu pozu un vienmēr saglabājiet līdzsvaru.** Tādējādi Jūs varēsiet labāk apvaldīt elektroinstrumentu negaidītās situācijās.
- **Valkājiet atbilstošu apģērbu. Nevalkājiet vaļīgu apģērbu vai rotaslietas. Sargājiet matus, apģērbu un cimdus no kustīgajām daļām.** Vaļīgs apģērbs, rotaslietas vai gari mati var iekļerties ierīces kustīgajās daļās.

LV

- Ja ierīces ir paredzētas savienošanai ar putekļu nosūkšanas un savākšanas iekārtām, pārliecinieties, vai tās ir pieslēgtas un tiek izmantotas pareizi. Putekļu savākšanas iekārtu izmantošana var samazināt ar putekļiem saistītos apdraudējumus.
- Nepieļaujiet, ka šī instrumenta bieža lietošana varētu izraisīt nevērīgu attieksmi darbā ar to, un neignorējiet ar instrumenta lietošanu saistītos drošības principus. Viens brīdis neuzmanības var izraisīt nopietnas traumas.

ELEKTROINSTRUMENTA LIETOŠANA UN APKOPE

- Nepārslodziet elektroinstrumentu. Lietojiet attiecīgajam darbam piemērotāko elektroinstrumentu. Piemērots elektroinstrumenti labāk un drošāk spēs izpildīt veicamo darbu, darbojoties tam paredzētajā ātrumā.
- Nelietojiet elektroinstrumentu, ja ar slēdzi to nav iespējams ieslēgt un izslēgt. Ja elektroinstrumentu nav iespējams ieslēgt un izslēgt ar slēdzi, tas ir bīstams, tāpēc nekavējoties jāsalabo.
- Ja elektroinstrumenti kādu laiku netiek lietoti, uzglabājiet tos bērniem nepieejamā vietā un neļaujiet ar elektroinstrumentu darboties personām, kas instrumentu nepārzina vai nav izlasījušas šīs instrukcijas. Nemākulīgās rokās nonākuši elektroinstrumenti ir potenciāls briesmu avots.
- Veiciet elektroinstrumentam un piederumiem apkopi. Pārbaudiet, vai ir pareizi uzstādītas kustīgās daļas un vai tās neķeras, un vai elektroinstrumenta daļām nav bojājumu, kas var negatīvi ietekmēt tā darbību. Bojāts elektroinstrumenti ir jāsalabo pirms nākamās lietošanas reizes. Daudzu negadījumu cēlonis ir sliktā stāvoklī esošu elektroinstrumentu izmantošana.
- Griezējinstrumentiem jābūt asiem un tīriem. Rūpīgi kopī griezējinstrumenti retāk iestrēgst un ir vieglāk vadāmi.
- Lietojiet elektroinstrumentu, tā piederumus un maināmos instrumentus, kā arī citus saistītos elementus atbilstoši šiem norādījumiem, ņemot vērā darba apstākļus un veicamo uzdevumu. Elektroinstrumenta lietošana neparedzētiem mērķiem var radīt bīstamu situāciju.
- Rokturim un satveršanas daļām jābūt sausiem, tīriem un uz tiem nedrīkst būt eļļa vai smērviela. Ja rokturi un satveršanas daļas ir mitras, tās slīdēs, un ar instrumentu vairs nebūs droši strādāt, kā arī apvaldīt neparedzētu apstākļu gadījumos.

- Kabeļiem jāatrodas drošā attālumā no instrumenta darba zonas. Darba laikā kabeļi var nemanāmi savīties un tikt nejauši pārgriezti ar instrumentu.

AKUMULATORA LIETOŠANA UN APKOPE

- Uzlādējiet instrumentu tikai ar ražotāja noteikto lādētāju. Lādētājs, kas paredzēts lietošanai tikai ar viena veida akumulatoru bloku, var radīt ugunsgrēka draudus, ja to izmanto kopā ar citu akumulatoru bloku.
- Lietojiet elektroinstrumentus kopā tikai ar tiem paredzētiem akumulatoru blokiem. Jebkura cita akumulatoru bloka lietošana var radīt traumu gūšanas un ugunsgrēka risku.
- Kad akumulatoru bloks netiek izmantots, neglabājiet to citu metāla priekšmetu, piemēram, papīra spraužu, monētu, atslēgu, naglu, skrūvju vai citu sīku metāla priekšmetu, kas var veidot savienojumu starp spailēm, tuvumā. Akumulatora spaiļu īsslēgums var izraisīt aizdegšanos vai ugunsgrēku.
- Nepareizas rīcības gadījumā no akumulatora var izkļūt šķidrums; izvairieties no saskares ar to. Ja tas nejauši nokļuvis uz ādas, noskalojiet ar ūdeni. Ja šķidrums iekļuvis acīs, nekavējoties meklējiet medicīnisko palīdzību. No akumulatora izkļuvušais šķidrums var izraisīt kairinājumu vai apdegumus.
- Nelietojiet bojātu vai pārveidotu akumulatoru bloku vai instrumentu. Bojātu vai pārveidotu akumulatoru izmantošana var izraisīt neparedzamus apstākļus, kas rada aizdegšanās, sprādziena vai traumas gūšanas draudus.
- Nepakļaujiet akumulatoru bloku vai instrumentu uguns liesmu vai pārmērīgas temperatūras iedarbībai. Uguns liesmu iedarbība vai temperatūra virs 100 °C var izraisīt sprādzienu.
- Izpildiet visas uzlādēšanas instrukcijas un neuzlādējiet akumulatoru bloku vai instrumentu ārpus instrukcijās norādītajām temperatūras vērtībām. Ja instruments tiek uzlādēts nepareizi vai tiek pārsniegtas instrukcijās norādītās uzlādēšanas temperatūras vērtības, akumulators var sabojāties un palielināt aizdegšanās risku.

APKOPE

- Elektroinstrumenta remontdarbus drīkst veikt tikai kvalificēts speciālists, izmantojot tikai oriģinālās rezerves daļas. Tādējādi tiks garantēts elektroinstrumenta lietošanas drošums.
- Nekad neveiciet bojātam akumulatoru blokam remontdarbus pašrocīgi. Bojāta akumulatoru bloka remontdarbus drīkst veikt tikai ražotājs vai pilnvaroti servisa darbinieki.

⚠ BRĪDINĀJUMS! Izlasiet visus ar šo elektroinstrumentu saistītos drošības brīdinājumus, norādījumus, specifiskācijas un aplūkojiet attēlus. Visu turpmāk uzskaitīto norādījumu neievērošana var izraisīt elektriskās strāvas triecienu, aizdegšanos un/vai nopietnas traumas. Saglabājiet visus brīdinājumus un instrukcijas turpmākai atsaucei.

SAGLABĀJIET VISUS BRĪDINĀJUMUS UN INSTRUKCIJAS TURPMĀKAI ATSAUCEI.

INSTRUMENTA LIETOŠANAS APGŪŠANA

- Rūpīgi izlasiet instrukcijas. Iepazīstieties ar instrumenta vadības elementiem un pareizu lietošanu.
- Nekad neļaujiet cilvēkiem, kuri nav iepazinušies ar šīm instrukcijām, kā arī bērniem, lietot šo instrumentu. Vietējie noteikumi var ierobežot instrumenta lietotāja vecumu.
- Nemiet vērā, ka instrumenta lietotājs vai operators ir atbildīgs par negadījumiem vai apdraudējumiem, kas var rasties citiem cilvēkiem vai īpašumam.

SAGATAVOŠANĀS DARBAM

- Nelietojiet instrumentu, ja tuvumā ir cilvēki, it īpaši bērni vai mājdzīvnieki.
- Izmantojot instrumentu, vienmēr lietojiet acu aizsarglīdzekļus un izturīgus apavus.
- Attālumam starp instrumentu un tuvumā esošām nepiederošām personām jābūt vismaz 15 m.
- Nedarbināt instrumentu, ja operators ir noguris, saslimis vai atrodas alkohola vai citu apreibinošu vielu ietekmē.

EKSPLUATĀCIJA

- Lietojiet instrumentu tikai dienas laikā vai labā maksīgā apgaismojumā.
- Nekādā gadījumā neizmantojiet instrumentu ar bojātiem aizsargiem vai pārsegiem vai bez aizsargiem un pārsegiem.
- Iedarbiniet motoru tikai tad, ja rokas un kājas neatrodas griezējelementu tuvumā.
- Vienmēr atvienojiet instrumentu no barošanas avota (proti, izņemiet akumulatoru bloku) šādos gadījumos:
 - atstājot instrumentu bez uzraudzības;
 - pirms nosprostojuma iztīrīšanas;
 - pirms veicat instrumentam pārbaudes, tīrīšanas vai apkopes darbus;
 - pēc elektroinstrumenta sadursmes ar svešķermeni;
 - ja instruments sāk neparasti vibrēt.
- Nepieļaujiet traumu rašanos, kājām un rokām saskaroties ar griezējelementiem.
- Gādājiet, lai ventilācijas atverēs nebūtu grūzu.

APKOPE UN UZGLABĀŠANA

- Pirms instrumenta apkopes vai tīrīšanas darbu veikšanas atvienojiet to no barošanas avota (proti, izņemiet akumulatoru bloku).
- Izmantojiet tikai ražotāja ieteiktās rezerves daļas un piederumus.
- Regulāri pārbaudiet instrumentu un veiciet tam apkopi. Uzticiet instrumenta remontdarbus tikai pilnvarotam remonta tehnikim.
- Ja instrumentu nelietojat, novietojiet to bērniem neaizsniežamā vietā.

CITI DROŠĪBAS BRĪDINĀJUMI

- **Izvairieties no bīstamas vides** — nelietojiet instrumentu mitrās vai slapjās vietās slīpumā.
- **Aizsargiem jābūt uzstādītiem tiem paredzētajās vietās un jābūt labā darba stāvoklī.**
- **Neturiet rokas un kājas griešanas zonā.**
- **Lai mazinātu traumu rašanās iespējamību, nekādā gadījumā nestrādājiet, stāvot uz trepēm vai uz cita nedroša balsta. Nekad neturiet griešanas ierīci augstāk par ķermeņa vidukli.**
- **Darbarīka lietošanas laikā regulāri pārbaudiet griešanas ierīci vai arī dariet to uzreiz, līdzko konstatējat būtiskas izmaiņas griešanas darbībā.**
- **Lai sasniegtu vislabākos rezultātus, uzlādējiet akumulatoru vietā, kur temperatūra ir augstāka par 5 °C un zemāka par 40 °C. Neuzglabājiet to ārpus telpām vai transportlīdzeklī.**
- **Ja strādājot ar ierīci kāds jums tuvojas, apturiet motoru un griešanas ierīci.**
- **Brīdiniet operatoru par briesmām, ko var radīt asmens atsiens (tikai griezot ar 3 zobu asmeni).**
 - Asmens atsiens var rasties, ja rotējošs asmens saskaras ar priekšmetu, ko tas uzreiz nesagriež.
 - Asmens atsiens var būt pietiekami spēcīgs, lai pagrūstu ierīci un/vai operatoru jebkurā virzienā, un, iespējams, zaudētu vadību pār ierīci.
 - Asmens atsiens var atgadīties pēkšņi, ja asmens ieķeras, saķeras vai apstājas motors.
 - Asmens atsiens biežāk rodas zonās, kur ir grūti saskatīt zāgējamo materiālu.

- Nepiestipriniet asmeni pie ierīces, ja nav atbilstoši uzstādītas visas nepieciešamās detaļas. Ja netiek izmantotas atbilstošās detaļas, asmens var nokrist no ierīces un nopietni savainot operatoru un/vai apkārtējos cilvēkus. Atbrīvojieties no asmeņiem, kas jebkādā veidā ir saliekti, likumaini, iekļaujuši, salūzuši vai sabojāti. Izmantojiet asu asmeni. Neass asmens var iekļerties un izraisīt atsitieni (tikai griežot ar 3 zobu asmeni).
- Kustīgs asmens / aukla, kas pēc motora apturēšanas vai sprūda atlaišanas turpina griezties, var radīt traumas. Nenovērsiet uzmanību no asmens / auklas, līdz tie nav pilnībā pārstājuši griezties.
- Akumulatora darbarīkus nav nepieciešams pieslēgt elektrotīklam, tādēļ tie vienmēr ir darbības stāvoklī. Pat, ja darbarīks nedarbojas, vienmēr sargieties no iespējama apdraudējuma. Ievērojiet piesardzību, veicot apkopes vai uzturēšanas darbus.
- Nemazgājiet ar šļūteni; nepieļaujiet ūdens iekļūšanu motorā un elektriskajos savienojumos.
- Gadījumos, kas nav aprakstīti šajā rokasgrāmatā, esiet uzmanīgi un rīkojieties prātīgi. Lai saņemtu palīdzību, sazinieties ar EGO klientu apkalpošanas centru.
- Izmantojiet tikai A attēlā uzskaitītos akumulatora blokus un lādētājus.

SAGLABĀJIET ŠOS NORĀDĪJUMUS!

SPECIFIKĀCIJAS

Griešanas mehānisms	Piespiežamā galva
Auklas diametrs	2,4 mm neilona griešanas aukla
Griešanas platums	38 cm
Ātrums, strādājot bez slodzes	5000/6000 min ⁻¹
Svars (bez akumulatora bloka)	1,59 kg
Ieteicamā darba temperatūra	0°C-40°C
Ieteicamā uzglabāšanas temperatūra	-20°C-70°C
Izmērītais skaņas jaudas līmenis L _{WA}	94,6 dB(A) K=1,80 dB(A)
Skaņas spiediena līmenis pie operatora auss L _{PA}	83,2 dB(A) K=3 dB(A)
Garantētais skaņas jaudas līmenis L _{WA} (mērīts saskaņā ar 2000/14/EK)	96 dB(A)

LV

Vibrācija a _h	Priekšējais paļģrokuris	1,1 m/s ² K=1,5 m/s ²
	Aizmugurējais rokuris	1,4 m/s ² K=1,5 m/s ²

- Iepriekš minētie parametri ir pārbaudīti un izmērīti kopā ar instrumentgalvu PH1400E.
- Norādītā kopējā vibrācijas vērtība tika mērīta saskaņā ar parastu mērīšanas paņēmieni; tā var tikt izmantota darbarīku salīdzināšanai.
- Norādīto kopējo vibrācijas vērtību var izmantot arī sākotnējai ietekmes izvērtēšanai.

PIEZĪME: Vibrācijas līmenis mehānizētā darbarīka lietošanas laikā var atšķirties no norādītās vērtības, ar kādu tiek lietots darbarīks. Lai aizsargātu operatoru, jāizmanto cimdi un dzirdes aizsarglīdzekļi.

KOMPLEKTĀCIJA

DAĻAS NOSAUKUMS	DAUDZUMS
Auklas trimera pierīce	1
Aizsargs	1
Sešstūru Uzgriežņu Atslēga	1
Daudzfunkciju uzgriežņu atslēga	1
Lietošanas rokasgrāmata	1

Informāciju par ieteicamo griešanas auklu lūdzam skatīt tīmekļa vietnē: egopowerplus.com vai EGO izstrādājumu katalogā.

APRAKSTS

PĀRZINIET SAVU AUKLAS TRIMERA PIERĪCI (A att.)

1. Uzgalis
2. Auklas trimera vārpsta
3. Griešanas aukla
4. Piespiežamā galva (griešanas galva)
5. Atlaišanas izcilnis
6. Auklas nogriešanas asmens
7. Aizsargs
8. Sešskaldņu uzgriežņu atslēga
9. Daudzfunkciju uzgriežņu atslēga

▲ BRĪDINĀJUMS! Nekādā gadījumā nelietojiet darbarīku, ja nav nostiprināts aizsargs. Aizsargam vienmēr jāatrodas uz darbarīka, lai aizsargātu lietotāju!

MONTĀŽA

⚠ BRĪDINĀJUMS. Ja kāda no daļām trūkst vai ir bojāta, nelietojiet šo izstrādājumu, līdz daļas ir nomainītas. Izmantojot šo izstrādājumu, ja trūkst kāda no daļām vai arī tā ir bojāta, var rasties smagas traumas.

⚠ BRĪDINĀJUMS. Nemēģiniet pārveidot šo izstrādājumu vai pievienot piederumus, kuru izmantošana šajā auklas trimērī nav ieteicama. Jebkādas šādas izmaiņas vai pārveidojumi ir ierīces neatbilstoša lietošana un var izraisīt bīstamu situāciju un smagu traumu.

⚠ BRĪDINĀJUMS! Nesavienot ar instrumentgalvu, kamēr montāža nav pilnībā pabeigta. Šo noteikumu neievērošanas rezultātā darbarīks var nejauši ieslēgties un izraisīt smagus miesas bojājumus.

AIZSARGA UZSTĀDĪŠANA

⚠ BRĪDINĀJUMS! Uzstādot vai nomainot aizsargu, vienmēr valkājiet cimdus. Esiet piesardzīgi, rīkojoties ar asmens aizsargu, un sargiet savas rokas no traumām, ko var izraisīt asmens.

Atskrūvējiet un izņemiet abas skrūves no trimmera kāta pamatnes (C att.), novietojiet aizsarga montāžas caurumus vienā līmenī ar pamatnes caurumiem, pēc tam piestipriniet aizsargu kāta pamatnei kopā ar abām atspēru paplāksnēm (D att.).

Pārliecinieties, ka aizsargs ir piestiprināts pareizi tā, kā norādīts C un D attēlos; nepareiza montāža ir ļoti bīstama!

AUKLAS TRIMERA PIERĪCES PIESTIPRINĀŠANA INSTRUMENTGALVAI

Šī auklas trimera pierīce ir paredzēta lietošanai kopā ar EGO instrumentgalvu PH1400E.

Skatiet instrumentgalvas PH1400E operatora rokasgrāmatā sadaļu „PIERĪCES PIESTIPRINĀŠANA INSTRUMENTGALVAI”.

LIETOŠANA

⚠ BRĪDINĀJUMS. Iepazīstot darbu ar šo ierīci, nekļūstiet nolaidīgs. Atcerieties, ka neuzmanība sekundes daļā var radīt smagu traumu.

⚠ BRĪDINĀJUMS! Vienmēr valkājiet aizsargbrilles, kā arī dzirdes aizsarglīdzekļus. Šo noteikumu neievērošanas rezultātā acis var tikt iesviesti svešķermeņi vai jūs varat gūt cita veida smagas traumas.

PIELIETOJUMS

Šo izstrādājumu var lietot tālāk norādītajam mērķim —

- zāles un nezāļu apgriešana pie lieveņa, žoga un nojumes.

PIEZĪME. Darbarīku drīkst izmantot tikai aprakstītajam mērķim. Izmantošana jebkādā citā veidā tiks uzskatīta par neatbilstošu lietošanu.

Pirms katras trimera lietošanas reizes pārbaudiet, vai nav bojātu / nodilētu daļu

Pārbaudiet trimera galvu, aizsargu un priekšējo rokturi vienmērīgi, izmantojot detaļas, ja tās ir saplaisājušas, savijušas, salocījušas vai bojātas.

Ar laiku auklas griešanas asmens uz aizsarga var kļūt truls. Ieteicams periodiski asināt asmeni ar vīli vai nomainīt to.

⚠ BRĪDINĀJUMS! Uzstādot vai nomainot aizsargu, asinot vai nomainot asmeni, vienmēr valkājiet cimdus. Ņemiet vērā asmens atrašanās vietu uz aizsarga, un sargiet rokas no savainošanās.

⚠ BRĪDINĀJUMS! Lai izvairītos no smagu miesas bojājumu gūšanas, pirms trimera apkopes, tīrīšanas, pierīču nomainīšanas vai nogrieztā materiāla izņemšanas izņemiet akumulatora bloku no instrumentgalvas.

AUKLAS TRIMERA LIETOŠANA KOPĀ AR INSTRUMENTGALVU

⚠ BRĪDINĀJUMS! Ģērbieties atbilstīgi, lai mazinātu traumu rašanās draudus, lietojot šo darbarīku. Nevalkājiet vaļīgu apģērbu vai rotaslietas. Izmantojiet acu un dzirdes aizsarglīdzekļus. Valkājiet izturīgas, garas bikses, apavus un cimdus. Nevalkājiet īsās bikses, sandales; netaisģājiet basām kājām.

⚠ BRĪDINĀJUMS! Pirms trimera lietošanas atīriet apstrādājamo vietu. Savāciet akmeņus, stikla lauskas, naglas, vadus vai auklas, kas var tikt izsviestas vai iekļūt griešanas pierīcē. Nepieļaujiet bērnu, citu personu un mājdzīvnieku atrašanos darba vietā. Sekojiet, lai bērni, citas personas un mājdzīvnieki atrastos vismaz 15 m attālumā; vēl arvien pastāv apdraudējums, ko rada izsviesti objekti. Sekojiet, lai apkārtējie izmantotu acu aizsarglīdzekļus. Ja strādājot kāds jums tuvojas, nekavējoties apturiet motoru un griešanas pierīci.

Uzlieciet plecu siksnu ekspluatācijai labākā un drošākā stāvoklī. Noregulējiet siksnu ērtā darba pozīcijā. Turiet auklas trimeri tā, lai viena roka turētu aizmugurējo rokturi, savukārt otra roka — priekšējo palīgrokturi. Strādājot ar darbarīku, turiet to stingri ar abām rokām. Turiet auklas trimeri ērtā pozīcijā, aizmugurējām rokturim atrodoties gurnu augstumā. Trimera galvai jāatrodas paralēli zemei tā, lai tā varētu viegli saskarties ar griezamo materiālo, operatoram neliecoties uz leju (B att.).

⚠ BRĪDINĀJUMS! Plecu siksnei ir arī atbrīvošanas mehānisms bīstamām situācijām. Avārijas situācijās gadījumā nekavējoties noņemiet siksnu no pleca neatkarīgi no tā, kādā pozīcijā tā atrodas.

Pēc katras trimera lietošanas notīriet to

Tīrīšanas norādījumus skatīt sadaļā „APKOPE”.

DARBARĪKA PALAIŠANA / APTURĒŠANA

Skatiet instrumentgalvas PH1400E operatora rokasgrāmatā sadaļu „INSTRUMENTGALVAS PALAIŠANA / APTURĒŠANA”.

GRIEŠANAS AUKLAS GARUMA REGULĒŠANA

Trimera galva ļauj operatoram izbīdīt vairāk griešanas auklas, neapsturot motoru. Ja aukla sadilst vai nolietojas, nedaudz piesitot trimera galvu pret zemi trimera lietošanas laikā, var izbīdīt jaunu auklas garumu (E att.).

PIEZĪME. Trimera auklai paliekot tsākai, auklas padeve kļūst apgrūtināta.

⚠ BRĪDINĀJUMS! Nenoņemiet un nepārveidojiet auklas griešanas asmens mezglu. Pārmērīgi gara aukla izraisīs motora pārkaršanu, un var rasties smagi miesas bojājumi.

AUKLAS NOMAIŅA

PIEZĪME. Vienmēr lietojiet ieteikto neilona griešanas auklu, kuras diametrs nepārsniedz 2,4 mm. Cita veida auklas izmantošana var izraisīt auklas trimera pārkaršanu vai var to sabojāt.

⚠ BRĪDINĀJUMS! Nekad neizmantojiet auklu ar metāla pastiprinājumiem, stiepli, virvi u.tml. Šāda veida auklas var salūst un kļūt par bīstamiem, lielā ātrumā izsviesti objektiem.

1. Izņemiet akumulatora bloku
2. Nepieciešamības gadījumā izņemiet atlikušo griešanas auklas daļu. Vienkārši izvelciet to ar rokām.
3. Nogrieziet 4 m garu griešanas auklu, levelciet auklu montāžas caurumā actiņas iekšpusē (F att.). Iespiediet un izvelciet auklu no otras puses, līdz spolei abās pusēs var redzēt vienāda garuma auklu.
4. Lai uzlītu auklu uz spoles, piespiediet, vienlaikus griežot spoles aizturi buliņas virzienā, līdz katrā pusē var redzēt aptuveni 14 cm auklas (G att.).
5. Vienlaikus velkot auklu, nospiediet spoles aizturi, lai ar rokām izvilkto auklu un, lai pārbaudītu, vai trimera galva ir pareizi uzstādīta.

Ja griešanas aukla pārtrūkst pie auklas izejas vai griešanas aukla netiek padota, piesitot ar trimera galvu, izpildiet tālāk norādītās darbības:

1. Izņemiet akumulatora bloku.
2. Nospiediet atlaišanas izciļņus uz spoles aiztura un noņemiet spoles aizturi, izvelkot to uz āru (H un I att.).
3. Izņemiet griešanas auklu no spoles aiztura.
4. Ar vienu roku pieturiet spoles pamatni un ar otru roku satveriet spoles aizturi un salāgojiet spoles aiztura izciļņus ar spoles pamatnes caurumiem (J att.); ar plaukstu piespiediet un pagrieziet spoles aizturi pa kreisi un pa labi, līdz izciļņi nofiksējas spoles pamatnē (K att.).
5. Lai nomainītu griešanas auklu, sekojiet norādījumiem sadaļā „AUKLAS NOMAIŅA”.

Ja darbarīku ir paredzēts izmantot kā krūmgriezi, izpildiet L un M attēlā redzamās darbības, kurās norādīts, kā izjaukt trimera galvu.

APKOPE

⚠ BRĪDINĀJUMS! Pirms ierīces pārbaudīšanas, tīrīšanas vai apkopes darbu veikšanas apturiet motoru, pagaidiet, līdz apstājas visas kustīgās daļas, un izņemiet akumulatora bloku. Šo norādījumu neievērošana var radīt smagus miesas bojājumus vai kaitējumu tīpašumam.

⚠ BRĪDINĀJUMS! Veicot ierīces apkopi, izmantojiet tikai identiskas rezerves daļas. Jebkuru citu daļu izmantošana var radīt apdraudējumu vai izstrādājuma bojājumus. Lai ierīces darbība būtu droša un uzticama, visus izstrādājumu remontdarbus, izņemot šajās apkopes instrukcijās norādītos, veic kvalificēts servisa speciālists.

VISPĀRĒJĀ APKOPE

Tīrot plastikāta detaļas, izvairieties no šķīdinātāju lietošanas. Vairums plastmasu ir uzņēmīgas pret dažāda veida komerciālu šķīdinātāju bojājumiem un, tos izmantojot, var tikt sabojātas. Lai notīrītu netīrumus, putekļus, eļļu, smērvielas u.c., izmantojiet tīras drāniņas.

IERĪCES TĪRĪŠANA

- Izlīriet visu ap motora vārpstu vai trimera galvu apvijušos zāli.
- Ventilācijas atveru tīrīšanai korpusa aizmugurē izmantojiet nelielu suku vai nelielu putekļsūcēju.
- Tīriet ierīci ar mitru drānu un maigu mazgāšanas līdzekli.

- Neīrīriet plastmasas korpusu un rokturi ar kodīgiem tīrīšanas līdzekļiem. Plastmasas daļas var sabojāt ar zināmām aromatizētām eļļām, piemēram, priežu un citrona, un šķīdinātājiem, piemēram, petroleju. Elektrotraumu var radīt arī mitrums. Kārtīgi noslaukiet mitrumu ar mīkstu, tīru drānu.

REDUKTORU EĻĻOŠANA

Reduktorus pāmesumkārbā ir periodiski jāieeļļo ar reduktoru smērvielu. Pārbaudiet pāmesumkārbā smērvielas līmeni ik pēc 50 darba stundām, noņemot kārbas pusē esošo blīvējuma skrūvi.

Ja uz reduktora malām nav redzama smērviela, tad, lai uzpildītu reduktoru smērvielu līdz 3/4 ietilpības, izpildiet tālāk redzamās darbības.

Neiepildiet smērvielu reduktoros līdz augšai.

1. Pagrieziet auklas trimeri uz sāniem tā, lai blīvējuma skrūve būtu vērsta virzienā uz augšu.
2. Atskrūvēšanai izmantojiet komplektācijā iekļauto daudzfunkciju uzgriežņu atslēgu un izņemiet blīvējuma skrūvi.
3. Izmantojiet smērvielas šjirci (komplektācijā nav iekļauta), lai iepildītu smērvielu caur skrūves atveri; nepārsniedzot 3/4 ietilpības.
4. Pēc iepildīšanas aizskrūvējiet blīvējuma skrūvi.

IERĪCES UZGLABĀŠANA

- Izņemiet no trimera akumulatora bloku.
- Pirms uzglabāšanas kārtīgi notīriet darbarīku.
- Ja auklas trimera pierīce ir izņemta no instrumentgalvas un uzglabāta atsevišķi: lai savienotājapskavā neiekļūtu netīrumi, uzlieciet uz pierīces vārpstas uzgali.
- Uzglabājiet ierīci sausā, labi vēdināmā, aizslēdzamā vai augstā — bērniem nepieejamā — vietā. Neuzglabājiet ierīci blakus mēslojumam, benzīnam vai citām ķīmikālijām.

Apkārtējās vides aizsardzība



Neizmetiet elektroierīces, akumulatora lādētājus un baterijas/uzlādējamus akumulatorus mājstaimniecības atkritumos!

Saskaņā ar Eiropas likumu 2012/19/ES, un 2006/66/EK nolietotais elektriskais un elektroniskais aprīkojums, bojāti vai lietoti akumulatora bloki/baterijas jāsavāc atsevišķi.

Ja elektroierīces tiek izmestas atkritumu poligonos vai izgāztuvēs, gruntsūdenī var iekļūt bīstamas vielas, piesārņojot barības ķēdi, kaitējot veselībai un labsajūtai.

KĻŪMJU NOVĒRŠANA

PROBLĒMA	CĒĻONIS	RISINĀJUMS
Auklas trimēris neieslēdzas.	<ul style="list-style-type: none"> ■ Instrumentgalvā nav akumulatora bloka. ■ Starp instrumentgalvu un akumulatoru bloku nav elektriskā savienojuma. ■ Akumulatora bloks ir izlādējies. ■ Vienlaikus nav nospiesta bloķēšanas svira un pārslēdzējs. 	<ul style="list-style-type: none"> ■ Ievietojiet instrumentgalvā akumulatora bloku. ■ Izņemiet akumulatoru, pārbaudiet kontaktus un ievietojiet to atpakaļ, līdz tas nofiksējas. ■ Uzlādējiet akumulatora bloku ar šajā rokasgrāmatā norādītajiem EGO lādētājiem. ■ Nospiediet bloķēšanas sviru un turiet to, tad nospiediet pārslēdzēju, lai ieslēgtu auklas trimēri.
Auklas trimēris apstājas griešanas laikā.	<ul style="list-style-type: none"> ■ Uz trimēra nav uzstādīts aizsargs, kā rezultātā griešanas aukla ir par garu un rodas motora pārslodze. ■ Izmantota smaga griešanas aukla. ■ Motora vārpstu vai trimēra galvu nosprostojusi zāle. ■ Motora pārslodze. ■ Akumulatora bloks vai auklas trimēris ir pārkaris. ■ Akumulatora bloks ir atvienots no darbarīka. ■ Akumulatora bloks ir izlādējies. 	<ul style="list-style-type: none"> ■ Izņemiet akumulatora bloku un uzstādiet uz trimēra aizsargu. ■ Izmantojiet ieteikto neilona griešanas auklu, kuras diametrs nepārsniedz 2,4 mm . ■ Apturiet trimēri, izņemiet akumulatoru un izfīriet zāli no motora vārpstas un trimēra galvas. ■ Paceliet trimēra galvu no zāles. Pēc slodzes noņemšanas motors atsāks darboties, kā paredzēts. Griežot ievirziet trimēra galvu griežamajā zālē, noņemot ne vairāk par 20 cm garuma vienā griezumā. ■ Ļaujiet akumulatora blokam vai trimērim atdzist, līdz temperatūra nokrītas zem 67 °C . ■ Uzstādiet atpakaļ akumulatora bloku. ■ Uzlādējiet akumulatora bloku ar šajā rokasgrāmatā norādītajiem EGO lādētājiem.

LV

PROBLĒMA	CĒLONIS	RISINĀJUMS
Trimera galva neizbīda auklu.	<ul style="list-style-type: none"> ■ Motora vārpstu vai trimera galvu nosprostojusi zāle. ■ Spolē nepietiek auklas. ■ Trimera galva ir netīra. ■ Aukla spolē ir sapinusies. ■ Aukla ir par īsu. 	<ul style="list-style-type: none"> ■ Apturiet trimeri, izņemiet akumulatoru un iztīriet zāli no motora vārpstas un trimera galvas. ■ Izņemiet akumulatoru un nomainiet griešanas auklu; skatiet šīs rokasgrāmatas nodaļu „AUKLAS MAIŅA”. ■ Izņemiet akumulatoru un notīriet spoli, spoles turētāju un spoles pamatni. ■ Izņemiet akumulatoru, izņemiet no spoles auklu un uztiniet no jauna; skatiet šīs rokasgrāmatas nodaļu „AUKLAS MAIŅA”. ■ Izņemiet bateriju un velciet auklu, vienlaikus nospiežot un atlaižot izcilni.
Ap trimera galvu un motora korpusu ir aptiniesies zāle.	<ul style="list-style-type: none"> ■ Garas zāles griešana zemes līmenī. 	<ul style="list-style-type: none"> ■ Grieziet garu zāli no augšas uz leju, katru reizi vienā gājienā nogriežot pa 20 cm, lai nepieļautu zāles aptīšanās.
Asmens nenogriež auklu.	<ul style="list-style-type: none"> ■ Ar laiku aizsarga auklas griešanas asmens mala kļūst trula. 	<ul style="list-style-type: none"> ■ Uzasiniet auklas griešanas asmeni ar vīli vai nomainiet to.
Plaisas uz trimera galvas vai spoles aizturis atskrūvējies no spoles pamatnes.	<ul style="list-style-type: none"> ■ Trimera galva ir nodilusi. 	<ul style="list-style-type: none"> ■ Nekavējoties nomainiet trimera galvu; sekojiet norādījumiem šīs rokasgrāmatas sadaļā „TRIMERA GALVAS NOMAĪŅA”.
Auklas nomaiņas laikā auklu nevar ietīt trimera galvā pareizi.	<ul style="list-style-type: none"> ■ Spoles aiztura LOAD līnija nesakrīt ar spoles pamatnes actiņām. ■ Aukla nav pareizi ievietota actiņā montāžas caurumā. 	<ul style="list-style-type: none"> ■ Pagrieziet spoles aizturi bultiņas virzienā, lai salāgotu līniju ar uzrakstu LOAD uz spoles aiztura ar actiņām spoles pamatnē. ■ Vispirms salāgojiet LOAD līnijas ar actiņām, pēc tam ievietojiet auklu actiņā montāžas caurumā.

GARANTIJA

EGO GARANTIJAS POLITIKA

Lūdzu, apmeklējiet tīmekļa vietni egopowerplus.com, kur pieejama pilna EGO Garantijas politikas noteikumu un nosacījumu versija.

ΔΙΑΒΑΣΤΕ ΟΛΕΣ ΤΙΣ ΟΔΗΓΙΕΣ!



Διαβάστε Το Εγχειρίδιο Χρήσης

⚠ Υπολειπόμενοι κίνδυνοι! Άνθρωποι που φέρουν ηλεκτρονικές συσκευές όπως βηματοδότες πρέπει να συμβουλευόνται τους γιατρούς τους πριν τη χρήση αυτού του προϊόντος. Η λειτουργία ηλεκτρικών εξοπλισμών κοντά σε βηματοδότη μπορεί να προκαλέσει παρεμβολές ή βλάβη στον βηματοδότη.

⚠ ΠΡΟΕΙΔΟΠΟΙΗΣΗ: Για να διασφαλίσετε την ασφάλεια και την αξιοπιστία, όλες οι επισκευές πρέπει να διεξάγονται από εξειδικευμένο τεχνικό του σέρβις.

ΣΥΜΒΟΛΑ ΑΣΦΑΛΕΙΑΣ

Ο σκοπός των συμβόλων ασφαλείας είναι να σας τραβήξουν την προσοχή για ενδεχόμενους κινδύνους. Προσέξτε και κατανοήστε τα σύμβολα ασφαλείας και τις επεξηγήσεις που τα συνοδεύουν. Οι προειδοποιήσεις συμβόλων από μόνες τους δεν εξαλείφουν κανέναν κίνδυνο. Οι οδηγίες και οι προειδοποιήσεις που παρέχουν δεν υποκαθιστούν τα μέτρα σωστής πρόληψης ατυχημάτων.

⚠ ΠΡΟΕΙΔΟΠΟΙΗΣΗ: Βεβαιωθείτε ότι έχετε διαβάσει και κατανοήσει όλες τις οδηγίες ασφαλείας στο παρόν Εγχειρίδιο χειριστή, συμπεριλαμβανομένων όλων των συμβόλων ασφαλείας όπως «**ΚΙΝΔΥΝΟΣ**», «**ΠΡΟΕΙΔΟΠΟΙΗΣΗ**» και «**ΠΡΟΣΟΧΗ**», προτού χρησιμοποιήσετε αυτό το εργαλείο. Η μη τήρηση όλων των παρακάτω οδηγιών μπορεί να οδηγήσει σε ηλεκτροπληξία, πυρκαγιά ή/και σοβαρό ατομικό τραυματισμό.

ΣΗΜΑΣΙΑ ΣΥΜΒΟΛΩΝ

GR

⚠ ΣΥΜΒΟΛΟ ΕΙΔΟΠΟΙΗΣΗΣ ΑΣΦΑΛΕΙΑΣ: Υποδηλώνει **ΚΙΝΔΥΝΟ**, **ΠΡΟΕΙΔΟΠΟΙΗΣΗ** ή **ΠΡΟΣΟΧΗ** και μπορεί να χρησιμοποιείται σε συνδυασμό με άλλα σύμβολα ή εικονογράμματα.



⚠ ΠΡΟΕΙΔΟΠΟΙΗΣΗ: Η λειτουργία ηλεκτρικών εργαλείων μπορεί να επιφέρει εκτόξευση ξένων αντικειμένων στα μάτια σας, με αποτέλεσμα σοβαρή βλάβη σε αυτά. Προτού ξεκινήσετε τη λειτουργία του ηλεκτρικού εργαλείου φοράτε πάντα προστατευτικά γυαλιά ή γυαλιά με πλευρική προστασία και εφόσον απαιτείται πλήρη προστατευτική προσωπίδα. Συστήνουμε μια προσωπίδα ασφαλείας ευρείας όρασης για χρήση πάνω από γυαλιά ή συνήθη προστατευτικά γυαλιά με πλευρική προστασία.

ΟΔΗΓΙΕΣ ΑΣΦΑΛΕΙΑΣ

Αυτή η σελίδα απεικονίζει και περιγράφει τα σύμβολα ασφαλείας που υπάρχουν ενδεχομένως σε αυτό το προϊόν. Διαβάστε, κατανοήστε και ακολουθείτε όλες τις οδηγίες στη μηχανή προτού προσπαθήσετε να διεξάγετε εργασίες συναρμολόγησης και λειτουργίας.

	Ειδοποίηση ασφαλείας	Υποδηλώνει ενδεχόμενο κίνδυνο ατομικού τραυματισμού.
	Διαβάστε το εγχειρίδιο χρήσης	Προκειμένου να μειωθεί ο κίνδυνος τραυματισμού, ο χρήστης πρέπει να διαβάσει και να κατανοήσει το εγχειρίδιο χρήσης προτού χρησιμοποιήσει αυτό το προϊόν.
	Φοράτε προστατευτικά γυαλιά	Φοράτε πάντοτε προστατευτικά γυαλιά ή γυαλιά ασφαλείας με πλευρική προστασία και πλήρη προστατευτική προσωπίδα κατά τη λειτουργία αυτού του προϊόντος.
	Φοράτε προστατευτικά ακοής	Φοράτε πάντα ωτοασπίδες για την προστασία της ακοής σας.
	Φοράτε προστασία για το κεφάλι	Φοράτε ένα εγκεκριμένο για την ασφάλεια σκληρό καπέλο για την προστασία του κεφαλιού σας.
	Φοράτε προστατευτικά γάντια	Προστατεύετε τα χέρια σας με γάντια κατά το χειρισμό της λεπίδας ή του προστατευτικού της. Τα ανθεκτικά, αντιολισθητικά γάντια βελτιώνουν το κράτημα και προστατεύουν τα χέρια σας.

	Φοράτε υποδήματα ασφαλείας	Φοράτε αντιλυσθητικά υποδήματα ασφαλείας όταν χρησιμοποιείτε αυτό τον εξοπλισμό.
	Πλάτος κοπής	Μέγ. πλάτος κοπής χλοοκοπτικού με νήμα
	Διάμετρος νήματος	Διάμετρος του νήλον νήματος κοπής
	Η λεπίδα δεν είναι στρογγυλή	Μην εγκαθιστάτε στρογγυλές λεπίδες κοπής.
	Διατηρείτε μακριά τους παρευρισκόμενους	Εξασφαλίζετε ότι άλλα άτομα ή κατοικίδια παραμένουν τουλάχιστον 15 μ. μακριά από το χλοοκοπτικό με νήμα όταν αυτό χρησιμοποιείται.
	Διατηρείτε μακριά τους παρευρισκόμενους	Εξασφαλίζετε ότι άλλα άτομα ή κατοικίδια παραμένουν τουλάχιστον 15 μ. μακριά από το χλοοκοπτικό με νήμα όταν αυτό χρησιμοποιείται.
	Μην εκθέτετε στη βροχή	Μη χρησιμοποιείτε στη βροχή ή μην αφήνετε σε εξωτερικό χώρο ενώ βρέχει.
	CE	Αυτό το προϊόν συμφώνει με τις ισχύουσες οδηγίες της ΕΚ.
	ΑΗΗΕ (WEEE)	Τα άχρηστα ηλεκτρικά προϊόντα δεν πρέπει να απορρίπτονται στα οικιακά απόβλητα. Παραδίδετε τα σε μια εξουσιοδοτημένη εταιρεία ανακύκλωσης.

	Θόρυβος	Εγγυημένη στάθμη ηχητικής ισχύος. Εκπομπές θορύβου στο περιβάλλον σύμφωνα με την οδηγία της Ευρωπαϊκής Ένωσης.
V	Volts	Τάση
mm	Χιλιοστό	Μήκος ή διαστάσεις
cm	Εκατοστό	Μήκος ή διαστάσεις
kg	Κιλό	Βάρος

ΓΕΝΙΚΕΣ ΠΡΟΕΙΔΟΠΟΙΗΣΕΙΣ ΑΣΦΑΛΕΙΑΣ ΓΙΑ ΤΑ ΗΛΕΚΤΡΙΚΑ ΕΡΓΑΛΕΙΑ

⚠ ΠΡΟΕΙΔΟΠΟΙΗΣΗ: Μελετήστε όλες τις προειδοποιήσεις ασφάλειας, τις οδηγίες, τις εικόνες και τις προδιαγραφές που συνοδεύουν αυτό το ηλεκτρικό εργαλείο. Αν δεν τηρηθούν όλες οι οδηγίες που αναφέρονται παρακάτω, μπορεί να προκληθεί ηλεκτροπληξία, φωτιά και/ή σοβαρός τραυματισμός.

Φυλάξτε όλες τις προειδοποιήσεις και τις οδηγίες για μελλοντική αναφορά.

Ο όρος «ηλεκτρικό εργαλείο» στις προειδοποιήσεις αναφέρεται στο ηλεκτρικό εργαλείο που έχετε στην κατοχή σας, είτε λειτουργεί με σύνδεση στην πρίζα (με καλώδιο) είτε λειτουργεί με μπαταρίες (χωρίς καλώδιο).

ΑΣΦΑΛΕΙΑ ΣΤΟ ΧΩΡΟ ΕΡΓΑΣΙΑΣ

- Διατηρείτε το χώρο εργασίας καθαρό και καλά φωτισμένο. Η ακαταστασία και ο κακός φωτισμός αυξάνουν την πιθανότητα ατυχημάτων.
- Μη χρησιμοποιείτε ηλεκτρικά εργαλεία σε περιβάλλον με εύφλεκτη ατμόσφαιρα, όπως όταν υπάρχουν εύφλεκτα υγρά, αέρια ή σκόνη. Τα ηλεκτρικά εργαλεία δημιουργούν σπινθήρες που μπορεί να αναφλέξουν τη σκόνη ή τις αναθυμιάσεις.
- Όταν χρησιμοποιείτε ηλεκτρικά εργαλεία, κρατήστε μακριά τα παιδιά και κάθε άλλο άτομο που δεν συμμετέχει στην εργασία. Αν κάτι αποσπάσει την προσοχή σας, μπορεί να χάσετε τον έλεγχο του εργαλείου.

GR

ΠΡΟΣΩΠΙΚΗ ΑΣΦΑΛΕΙΑ

- Να είστε πάντα σε εγρήγορση, να προσέχετε τι κάνετε και να χρησιμοποιείτε την κοινή λογική όταν χρησιμοποιείτε ηλεκτρικά εργαλεία. Μη χρησιμοποιείτε ηλεκτρικά εργαλεία όταν είστε κουρασμένοι ή υπό την επήρεια ναρκωτικών, αλκοόλ ή φαρμάκων. Όταν χρησιμοποιείτε ηλεκτρικά εργαλεία, μια στιγμή απροσεξίας μπορεί να προκαλέσει σοβαρό τραυματισμό.
- Χρησιμοποιείτε εξοπλισμό ατομικής προστασίας. Φοράτε πάντα προστατευτικά για τα μάτια. Η χρήση του κατάλληλου προστατευτικού εξοπλισμού ανάλογα με τις συνθήκες, όπως μάσκα σκόνης, αντιλιοθητικά παπούτσια, κράνος ή ωτοασπίδες, μειώνει τον κίνδυνο τραυματισμού.
- Λάβετε μέτρα για να μην ενεργοποιηθεί κατά λάθος το εργαλείο. Βεβαιωθείτε ότι είναι κλειστός ο διακόπτης (OFF) πριν συνδέσετε το ηλεκτρικό εργαλείο στην πρίζα και/ή στην μπαταρία, καθώς και όταν σπώνετε ή μεταφέρετε το εργαλείο. Μη μεταφέρετε το ηλεκτρικό εργαλείο με το δάκτυλο πάνω στο διακόπτη και μη βάζετε το ηλεκτρικό εργαλείο στην πρίζα με ανοικτό το διακόπτη, διότι αυξάνεται ο κίνδυνος ατυχήματος.
- Πριν ενεργοποιήσετε το ηλεκτρικό εργαλείο, αφαιρέστε κάθε ρυθμιστικό εργαλείο ή εξάρτημα. Αν το ρυθμιστικό εργαλείο ή εξάρτημα παραμείνει συνδεδεμένο στο περιστρεφόμενο εξάρτημα του ηλεκτρικού εργαλείου, μπορεί να προκληθεί τραυματισμός.
- Μην τεντώνετε υπερβολικά για να πραγματοποιήσετε την εργασία. Πατάτε πάντα σταθερά και διατηρείτε την ισορροπία σας. Έτσι θα ελέγχετε καλύτερα το ηλεκτρικό εργαλείο αν προκύψει κάποια απροσδόκητη κατάσταση.
- Φοράτε κατάλληλα ρούχα. Μη φοράτε φαρδιά ρούχα ή κοσμήματα. Κρατήστε τα μαλλιά, τα ρούχα και τα γάντια σας μακριά από κινούμενα μέρη. Χαλαρά ρούχα, κοσμήματα ή μακριά μαλλιά μπορεί να πιαστούν στα κινούμενα μέρη.
- Αν υπάρχει δυνατότητα σύνδεσης συσκευών απομάκρυνσης και συλλογής της σκόνης, βεβαιωθείτε ότι αυτές οι συσκευές έχουν συνδεθεί και χρησιμοποιούνται σωστά. Αυτές οι συσκευές μπορούν να περιορίσουν τους κινδύνους που σχετίζονται με τη σκόνη.
- Ακόμα κι αν χρησιμοποιείτε συχνά ηλεκτρικά εργαλεία, μην εφησυχάζετε και μην παραβλέπετε τους βασικούς κανόνες ασφαλείας. Μια στιγμή απροσεξίας μπορεί να προκαλέσει σοβαρό τραυματισμό.

GR

ΧΡΗΣΗ ΚΑΙ ΦΡΟΝΤΙΔΑ ΤΟΥ ΗΛΕΚΤΡΙΚΟΥ ΕΡΓΑΛΕΙΟΥ

- Μην πιέζετε το ηλεκτρικό εργαλείο. Χρησιμοποιήστε το κατάλληλο ηλεκτρικό εργαλείο για την εκάστοτε εργασία. Η εργασία θα πραγματοποιηθεί καλύτερα και ασφαλέστερα αν χρησιμοποιηθεί το κατάλληλο ηλεκτρικό εργαλείο στην ταχύτητα για την οποία έχει σχεδιαστεί.
- Μη χρησιμοποιήσετε το ηλεκτρικό εργαλείο αν δεν μπορείτε να το ενεργοποιήσετε και να το απενεργοποιήσετε από το διακόπτη. Κάθε ηλεκτρικό εργαλείο που δεν ελέγχεται από το διακόπτη είναι επικίνδυνο και πρέπει να επισκευάζεται.
- Όταν δεν λειτουργεί το ηλεκτρικό εργαλείο, πρέπει να φυλάσσεται μακριά από παιδιά και να μην επιτρέπεται σε άτομα που δεν είναι εξοικειωμένα με το εργαλείο ή με τις παρούσες οδηγίες να χρησιμοποιούν το εργαλείο. Τα ηλεκτρικά εργαλεία είναι επικίνδυνα στα χέρια ατόμων που δεν έχουν εκπαιδευτεί στη χρήση τους.
- Συντηρείτε σωστά τα ηλεκτρικά εργαλεία και τα βοηθητικά τους εξαρτήματα. Ελέγχετε για κακή ευθυγράμμιση ή εμπλοκή των κινούμενων εξαρτημάτων, για σπασμένα εξαρτήματα και για κάθε άλλη κατάσταση που μπορεί να επηρεάσει τη λειτουργία του ηλεκτρικού εργαλείου. Αν υποστεί ζημιά το ηλεκτρικό εργαλείο, επισκευάστε το πριν το χρησιμοποιήσετε. Πολλά ατυχήματα οφείλονται σε κακώς συντηρημένα ηλεκτρικά εργαλεία.
- Διατηρείτε τα κοπτικά εξαρτήματα αιχμηρά και καθαρά. Όταν τα κοπτικά εξαρτήματα έχουν συντηρηθεί σωστά και είναι αιχμηρά, ελέγχονται ευκολότερα και είναι λιγότερο πιθανό να μπλοκάρουν.
- Χρησιμοποιείτε το ηλεκτρικό εργαλείο, τα εξαρτήματα, τα τρυπάνια κ.λπ. σύμφωνα με τις παρούσες οδηγίες και λαμβάνοντας υπόψη τις συνθήκες και την εργασία που θα εκτελεστεί. Αν το ηλεκτρικό εργαλείο χρησιμοποιηθεί για εργασία για την οποία δεν προορίζεται, μπορεί να δημιουργηθούν επικίνδυνες καταστάσεις.
- Διατηρείτε τις λαβές και την επιφάνεια συγκράτησης του εργαλείου στεγνές και καθαρές, χωρίς λάδια και γράσα. Αν γλιστρούν οι λαβές και οι επιφάνειες συγκράτησης, δεν θα μπορείτε να χειριστείτε με ασφάλεια το εργαλείο, ούτε θα μπορείτε να το ελέγξετε αν προκύψει κάποια απροσδόκητη κατάσταση.
- Διατηρείτε πάντοτε τα καλώδια μακριά από την περιοχή εργασίας του εργαλείου. Κατά τη χρήση ενδέχεται να υπάρξουν κρυμμένα καλώδια που μπορούν να κοπούν κατά λάθος από το εργαλείο.

ΧΡΗΣΗ ΚΑΙ ΦΡΟΝΤΙΔΑ ΤΟΥ ΕΡΓΑΛΕΙΟΥ ΜΕ ΜΠΑΤΑΡΙΑ

- **Επαναφορτίζετε το εργαλείο μόνο με τον φορτιστή που ορίζεται από τον κατασκευαστή.** Οι φορτιστές που είναι κατάλληλοι για ορισμένο τύπο μπαταρίας μπορεί να προκαλέσουν φωτιά αν χρησιμοποιηθούν με άλλο τύπο μπαταρίας.
- **Χρησιμοποιήστε το ηλεκτρικό εργαλείο μόνο με την ειδική φορητή μπαταρία που προορίζεται για αυτό.** Αν χρησιμοποιηθεί οποιαδήποτε άλλη φορητή μπαταρία, μπορεί να προκληθεί τραυματισμός και φωτιά.
- **Όταν δεν χρησιμοποιείται η φορητή μπαταρία, πρέπει να φυλάσσεται μακριά από μεταλλικά αντικείμενα όπως συνδετήρες, νομίσματα, κλειδιά, καρφιά, βίδες ή άλλα μικρά μεταλλικά αντικείμενα, που μπορεί να δημιουργήσουν σύνδεση μεταξύ των πόλων της μπαταρίας.** Το βραχυκύκλωμα των πόλων της μπαταρίας μπορεί να προκαλέσει εγκαύματα ή φωτιά.
- **Σε συνθήκες κακής χρήσης, μπορεί να διαρρεύσει υγρό από την μπαταρία. Μην το αγγίζετε. Αν το αγγίξετε κατά λάθος, ξεπλυθείτε με νερό. Αν το υγρό έρθει σε επαφή με τα μάτια, απευθυνθείτε επίσης σε γιατρό.** Το υγρό που διαρρέει από την μπαταρία μπορεί να προκαλέσει ερεθισμό ή εγκαύματα.
- **Μη χρησιμοποιείτε την μπαταρία ή το εργαλείο αν έχουν υποστεί ζημιά ή έχουν τροποποιηθεί.** Οι μπαταρίες που έχουν υποστεί ζημιά ή έχουν τροποποιηθεί μπορεί να έχουν απρόβλεπτη συμπεριφορά και να προκαλέσουν φωτιά, έκρηξη ή τραυματισμό.
- **Η μπαταρία και το εργαλείο δεν πρέπει να εκτίθενται σε φωτιά ή υπερβολικά υψηλή θερμοκρασία.** Η έκθεση σε φωτιά ή σε θερμοκρασία πάνω από 100 °C μπορεί να προκαλέσει έκρηξη.
- **Τηρείτε όλες τις οδηγίες για τη φόρτιση και μη φορτίζετε την μπαταρία ή το εργαλείο εκτός του εύρους θερμοκρασίας που αναφέρεται στις οδηγίες.** Αν η φόρτιση δεν γίνει σωστά ή πραγματοποιηθεί εκτός του καθορισμένου εύρους θερμοκρασίας, μπορεί να υποστεί ζημιά η μπαταρία και να προκληθεί φωτιά.

ΣΕΡΒΙΣ

- **Το ηλεκτρικό εργαλείο πρέπει να επισκευάζεται μόνο από πιστοποιημένο επαγγελματία, χρησιμοποιώντας μόνο πανομοιότυπα ανταλλακτικά.** Έτσι διασφαλίζεται η ασφαλής λειτουργία του ηλεκτρικού εργαλείου.
- **Μην επιχειρείτε να επισκευάσετε την μπαταρία αν έχει υποστεί ζημιά.** Οι μπαταρίες πρέπει να επισκευάζονται μόνο από τον κατασκευαστή ή από εξουσιοδοτημένα κέντρα σέρβις.

▲ ΠΡΟΕΙΔΟΠΟΙΗΣΗ: Μελετήστε όλες τις προειδοποιήσεις ασφάλειας, τις οδηγίες, τις εικόνες και τις προδιαγραφές που συνοδεύουν αυτό το ηλεκτρικό εργαλείο. Εάν δεν τηρηθούν όλες οι οδηγίες που αναφέρονται παρακάτω, μπορεί να προκληθεί ηλεκτροπληξία, φωτιά και/ή σοβαρός τραυματισμός.

Φυλάσσετε όλες τις προειδοποιήσεις και τις οδηγίες για μελλοντική αναφορά.

Φυλάσσετε όλες τις προειδοποιήσεις και τις οδηγίες για μελλοντική αναφορά.

ΕΚΠΑΙΔΕΥΣΗ

- Διαβάστε με προσοχή όλες τις οδηγίες. Εξοικειωθείτε με τα χειριστήρια και τη σωστή χρήση του μηχανήματος.
- Μην επιτρέψετε ποτέ σε άτομα ή παιδιά που δεν είναι εξοικειωμένα με αυτές τις οδηγίες να χρησιμοποιήσουν τη συσκευή. Οι τοπικοί κανονισμοί ενδέχεται να επιβάλλουν περιορισμό στην ηλικία του χειριστή.
- Έχετε υπόψη σας ότι ο χειριστής ή ο χρήστης ευθύνεται αποκλειστικά για ατυχήματα ή κινδύνους που προκύπτουν για τρίτους ή την περιουσία τους.

ΠΡΟΕΤΟΙΜΑΣΙΑ

- Μη χρησιμοποιείτε ποτέ τη συσκευή όταν βρίσκονται κοντά άτομα, ιδίως παιδιά ή κατοικίδια.
- Χρησιμοποιείτε προστατευτικά για τα μάτια και ανθεκτικά υποδήματα συνεχώς όταν χρησιμοποιείτε το μηχανήμα.
- Η απόσταση μεταξύ του μηχανήματος και των παριστάμενων πρέπει να είναι τουλάχιστον 15 m.
- Να μη χρησιμοποιηθεί ποτέ το μηχανήμα εάν ο χειριστής είναι κουρασμένος, άρρωστος, υπό την επήρεια αλκοόλ ή ναρκωτικών ουσιών.

ΛΕΙΤΟΥΡΓΙΑ

- Χρησιμοποιείτε το μηχανήμα μόνο με φυσικό φως ή με καλό τεχνητό φως.
- Μη χρησιμοποιείτε ποτέ το μηχανήμα εάν οι καλύπτρες ή οι θωρακίσεις είναι χαλασμένα ή δεν έχουν τοποθετηθεί.
- Ενεργοποιείτε τον κινητήρα μόνο, όταν τα χέρια και τα πόδια σας βρίσκονται μακριά από τα μέσα κοπής.
- Αποσυνδέετε πάντα το χλοοκοπτικό με νήμα από την τροφοδοσία ισχύος (για παράδειγμα, αφαιρείτε τη συστοιχία μπαταριών).
 - όποτε αφήνετε το μηχανήμα χωρίς επίβλεψη,
 - προτού καθαρίσετε κάποια εμπλοκή,
 - πριν από έλεγχο, καθαρισμό ή άλλη εργασία πάνω στο μηχανήμα,
 - σε περίπτωση που χτυπήσετε σε ξένο αντικείμενο,
 - εάν το μηχανήμα αρχίζει να δονείται αφύσικα.
- Προσέχετε να μην τραυματιστείτε στα πόδια και χέρια από τα μέσα κοπής.
- Φροντίζετε τα ανώματα εξαιρισμού να είναι πάντα καθαρά, χωρίς σκουπίδια.

GR

ΣΥΝΤΗΡΗΣΗ ΚΑΙ ΑΠΟΘΗΚΕΥΣΗ

- Αποσυνδέστε το μηχανήμα από την ηλεκτρική τροφοδοσία (δηλ. αφαιρέστε τη συστοιχία μπαταριών) προτού να πραγματοποιήσετε εργασίες συντήρησης ή καθαρισμού.
- Χρησιμοποιείτε μόνο τα ανταλλακτικά και αξεσουάρ που συνιστώνται από τον κατασκευαστή.
- Ελέγχετε και συντηρείτε τακτικά το μηχανήμα. Οι επισκευές του μηχανήματος πρέπει πάντοτε να πραγματοποιούνται σε εξουσιοδοτημένο κέντρο επισκευής.
- Όταν δεν χρησιμοποιείτε το μηχανήμα, αποθηκεύτέ το σε σημείο μακριά από τα παιδιά.

ΑΛΛΕΣ ΠΡΟΕΙΔΟΠΟΙΗΣΕΙΣ ΑΣΦΑΛΕΙΑΣ

- Αποφεύγετε επικίνδυνα περιβάλλοντα – Μη χρησιμοποιείτε τις συσκευές σε βρεγμένες ή υγρές πλαγιές.
- Τα προστατευτικά πρέπει να παραμένουν στη θέση τους και σε άψογη κατάσταση λειτουργίας.
- Διατηρείτε τα χέρια και τα πόδια πάντα μακριά από τον τομέα κοπής.
- Για μείωση του κινδύνου τραυματισμού, ποτέ μην εργάζεστε επάνω σε σκάλα ή σε οποιαδήποτε άλλη μη ασφαλή υποστήριξη. Ποτέ μην κρατάτε τη μονάδα κοπής πάνω από το ύψος μέσης.
- Ελέγχετε τη μονάδα κοπής ανά τακτά χρονικά διαστήματα κατά τη λειτουργία ή αμέσως, εάν υπάρχει αισθητή αλλαγή στη συμπεριφορά κοπής.
- Για καλύτερα αποτελέσματα, η μπαταρία σας πρέπει να φορτίζεται υπό θερμοκρασία μεγαλύτερη από 5° C και μικρότερη από 40° C. Μην την αποθηκεύετε σε εξωτερικό χώρο ή σε οχήματα.
- Εάν σας προσεγγίσουν, σταματήστε το μοτέρ και τη μονάδα κοπής.
- Προειδοποιείτε το χειριστή για τον κίνδυνο από την αναπήδηση της λεπίδας (ισχύει μόνο κατά τη χρήση με λεπίδα 3 οδοντώσεων).
 - Η ανάκρουση λεπίδας μπορεί να προκύψει όταν η περιστρεφόμενη λεπίδα έρθει σε επαφή με ένα αντικείμενο που δεν κόβει απευθείας.
 - Η ανάκρουση του δίσκου κοπής μπορεί να είναι τόσο απότομη, ώστε να ντύνει τη μονάδα και/ή το χειριστή προς οποιαδήποτε κατεύθυνση, με κίνδυνο να χαθεί ο έλεγχος της μονάδας.
 - Η ανάκρουση του δίσκου κοπής μπορεί να συμβεί απροειδοποίητα, αν η λεπίδα πάθει εμπλοκή, σβήσει ή κολλήσει.
 - Η ανάκρουση του δίσκου κοπής είναι πιθανότερο να συμβεί σε περιοχές όπου δεν διακρίνεται καλά το υλικό που κόβει το μηχανήμα.

- Μην προσαρτάτε λεπίδες σε μια μονάδα χωρίς σωστή εγκατάσταση των απαιτούμενων εξαρτημάτων. Εάν δεν χρησιμοποιούνται τα σωστά εξαρτήματα μπορεί να προκληθεί εκτόξευση της λεπίδας και σοβαρός τραυματισμός του χειριστή ή/και των παρευρισκόμενων. Απορρίψτε τις λεπίδες που έχουν λυγίσει, στραβώσει, ραγίσει, σπάσει ή καταστραφεί με οποιονδήποτε τρόπο. Χρησιμοποιείτε αιχμηρές λεπίδες. Μια στομωμένη λεπίδα έχει περισσότερες πιθανότητες να σκαλώσει και να αναπηδήσει (χρήση μόνο λεπίδας 3 οδοντώσεων).
- Μια λεπίδα/Ενα νήμα που κινείται ελεύθερα μπορεί να προκαλέσει τραυματισμό όταν συνεχίζει να περιστρέφεται αφού σβήσει ο κινητήρας ή απελευθερωθεί η σκανδάλη. Διατηρείτε καλό έλεγχο μέχρι να σταματήσει τελείως η περιστροφή της λεπίδας/του νήματος.
- Τα εργαλεία μπαταρίας δεν πρέπει να συνδέονται σε ηλεκτρική πρίζα. Γι' αυτό βρίσκονται πάντα σε κατάσταση λειτουργίας. Προσέχετε πιθανούς κινδύνους ακόμα και όταν το εργαλείο δεν λειτουργεί. Προσέχετε όταν διεξάγετε συντήρηση ή σέρβις.
- Μην πλένετε με λάστιχο. Αποφεύγετε να εισέρχεται νερό στον κινητήρα και στις ηλεκτρικές συνδέσεις.
- Εάν προκύψουν καταστάσεις που δεν καλύπτονται στο παρόν εγχειρίδιο, να είστε προσεκτικοί και να κρίνετε σωστά. Επικοινωνήστε με το κέντρο σέρβις πελατών της EGO για βοήθεια.
- Να χρησιμοποιείται μόνο με τις συστοιχίες μπαταριών και τους φορτιστές που αναφέρονται στην εικ. Α.

ΦΥΛΑΞΤΕ ΑΥΤΕΣ ΤΙΣ ΟΔΗΓΙΕΣ!

ΠΡΟΔΙΑΓΡΑΦΕΣ

Μηχανισμός κοπής	Κεφαλή πρόσκρουσης
Διάμετρος νήματος	2,4 χιλ νάιλον συστρεφόμενο νήμα
Πλάτος κοπής	38 εκ
Ταχύτητα χωρίς φορτίο	5000/6000 μιν ⁻¹
Βάρος (χωρίς την μπαταρία)	1,59 κιλά
Προτεινόμενη θερμοκρασία λειτουργίας	0°C-40°C
Προτεινόμενη θερμοκρασία αποθήκευσης	-20°C-70°C

GR

Μετρημένη στάθμη ηχητικής ισχύος L_{WA}	94,6 dB(A) K=1,80 dB(A)	
Στάθμη ηχητικής πίεσης στη θέση χειριστή L_{PA}	83,2 dB(A) K=3 dB(A)	
Εγγυημένο επίπεδο ισχύος ήχου L_{WA} (σύμφωνα με 2000/14/EC)	96 dB(A)	
Δονήσεις a_h	Λαβή μπροστινής υποβοήθησης	1,1 m/s ² K=1,5 m/s ²
	Μπροστινή λαβή	1,4 m/s ² K=1,5 m/s ²

- Οι παραπάνω παράμετροι έχουν ελεγχθεί και μετρηθεί με εξοπλισμό ηλεκτρικής κεφαλής RH1400E.
- Η αναφερόμενη συνολική τιμή κραδασμών έχει μετρηθεί σύμφωνα με την πρότυπη μέθοδο ελέγχου και μπορεί να χρησιμοποιηθεί για τη σύγκριση ενός εργαλείου με κάποιο άλλο.
- Η αναφερόμενη συνολική τιμή κραδασμών μπορεί να χρησιμοποιηθεί επίσης για την προκαταρκτική αξιολόγηση της έκθεσης.

ΣΗΜΕΙΩΣΗ: Οι εκπομπές κραδασμών κατά τη διάρκεια της πραγματικής χρήσης του ηλεκτρικού εργαλείου μπορεί να διαφέρουν από τη δηλωμένη τιμή στην οποία χρησιμοποιείται το εργαλείο. Για την προστασία του χειριστή, πρέπει να χρησιμοποιούνται γάντια και προστασία της ακοής στις πραγματικές συνθήκες χρήσης.

ΚΑΤΑΛΟΓΟΣ ΕΞΑΡΤΗΜΑΤΩΝ ΣΥΣΚΕΥΑΣΙΑΣ

ΟΝΟΜΑ ΕΞΑΡΤΗΜΑΤΟΣ	ΠΟΣΟΤΗΤΑ
Προσάρτημα χλοοκοπτικού με μεσινέζα	1
Προστατευτικό	1
Εξάγωνο κλειδί	1
Κλειδί πολλαπλών λειτουργιών	1
Εγχειρίδιο χρήσης	1

Σχετικά με το προτεινόμενο μήκος κοπής, επισκεφθείτε την ιστοσελίδα egorowerplus.com ή ανατρέξτε στον κατάλογο προϊόντων της EGO.

ΠΕΡΙΓΡΑΦΗ

ΓΝΩΡΙΣΤΕ ΤΟ ΠΡΟΣΑΡΤΗΜΑ ΧΛΟΟΚΟΠΤΙΚΟΥ ΜΕ ΝΗΜΑ (Εικ. Α)

1. Τερματικό πώμα
2. Άξονας χλοοκοπτικού με νήμα
3. Νήμα κοπής

4. Κεφαλή χλοοκοπτικού (κεφαλή πρόσκρουσης)
5. Γλωπίδα αποδέσμευσης
6. Νήμα-Λεπίδα κοπής
7. Προστατευτικό
8. Εξάγωνο κλειδί
9. Κλειδί πολλαπλών λειτουργιών

⚠ ΠΡΟΕΙΔΟΠΟΙΗΣΗ: Ποτέ μη χειρίζεστε το εργαλείο χωρίς το προστατευτικό στη θέση του. Το προστατευτικό πρέπει να βρίσκεται πάντα στο εργαλείο για την προστασία του χρήστη.

ΣΥΝΑΡΜΟΛΟΓΗΣΗ

⚠ ΠΡΟΕΙΔΟΠΟΙΗΣΗ: Σε περίπτωση που κάποιο από τα εξαρτήματα έχουν υποστεί ζημιά ή λείπουν, μη χρησιμοποιήσετε το μηχανήμα, μέχρι να αντικατασταθούν. Η χρήση αυτού του προϊόντος με φθαρμένα ή ελλιπή εξαρτήματα μπορεί να έχει σαν αποτέλεσμα σοβαρό ατομικό τραυματισμό.

⚠ ΠΡΟΕΙΔΟΠΟΙΗΣΗ: Μην επιχειρήσετε να τροποποιήσετε αυτό το εργαλείο ή να χρησιμοποιήσετε εξαρτήματα που δεν συστήνονται για χρήση με αυτό το χλοοκοπτικό με νήμα. Οποιαδήποτε τέτοια μετατροπή ή τροποποίηση μπορεί να προκαλέσει επικίνδυνες συνθήκες με επακόλουθο σοβαρό τραυματισμό

⚠ ΠΡΟΕΙΔΟΠΟΙΗΣΗ: Μη συνδέετε στην ηλεκτρική κεφαλή, μέχρι να ολοκληρωθεί η συναρμολόγηση. Σε αντίθετη περίπτωση ενέχει κίνδυνος τυχαίας ενεργοποίησης και επακόλουθο σοβαρού τραυματισμού.

ΤΟΠΟΘΕΤΗΣΗ ΤΟΥ ΠΡΟΣΤΑΤΕΥΤΙΚΟΥ

⚠ ΠΡΟΕΙΔΟΠΟΙΗΣΗ: Φοράτε πάντα γάντια κατά την τοποθέτηση ή αντικατάσταση του προστατευτικού. Προσέχετε τη λεπίδα στο προστατευτικό και προστατεύετε τα χέρια σας από τραυματισμό λόγω της λεπίδας.

Ξεβιδώστε τις δυο βίδες από τη βάση του άξονα (Εικ. Β) και αφαιρέστε τις. Ευθυγραμμίστε τις οπές εγκατάστασης του προστατευτικού με τις οπές της συναρμολόγησης και ασφαλίστε το προστατευτικό πάνω στη βάση του άξονα, με τη βοήθεια των δυο βιδών και δύο ελατηριωτών ροδελών (Εικ. C).

Εξασφαλίστε ότι το προστατευτικό έχει σφικτεί σύμφωνα με τις Εικ. C & D, οποιαδήποτε αντίστροφη στερήωση θα προκαλέσει εξαιρετικά σοβαρό κίνδυνο!

ΣΥΝΔΕΣΗ ΤΟΥ ΠΡΟΣΑΡΤΗΜΑΤΟΣ ΧΛΟΟΚΟΠΤΙΚΟΥ ΜΕ ΜΕΣΙΝΕΖΑ ΣΤΗΝ ΗΛΕΚΤΡΙΚΗ ΚΕΦΑΛΗ

GR

Αυτό το προσάρτημα χλοοκοπτικού έχει σχεδιαστεί για χρήση με την ηλεκτρική κεφαλή EGO RH1400E.

Δείτε το απόσπασμα «**ΕΓΚΑΤΑΣΤΑΣΗ ΕΝΟΣ ΠΡΟΣΑΡΤΗΜΑΤΟΣ ΣΤΗΝ ΗΛΕΚΤΡΙΚΗ ΚΕΦΑΛΗ**» στο εγχειρίδιο χρήσης της ηλεκτρικής κεφαλής RH1400E.

ΛΕΙΤΟΥΡΓΙΑ

⚠ ΠΡΟΕΙΔΟΠΟΙΗΣΗ: Η εξοικειωσή σας με αυτό το προϊόν δε θα πρέπει να σας κάνει λιγότερο προσεκτικούς. Θυμηθείτε πως ένα κλάσμα δευτερολέπτου απροσεξίας μπορεί να προκαλέσει σοβαρό τραυματισμό.

⚠ ΠΡΟΕΙΔΟΠΟΙΗΣΗ: Φοράτε πάντα προστασία για τα μάτια μαζί με προστασία ακοής. Σε αντίθετη περίπτωση, είναι πιθανό να υπάρξει εκτόξευση αντικειμένων στα μάτια σας και άλλοι πιθανοί σοβαροί τραυματισμοί.

ΕΦΑΡΜΟΓΕΣ

Μπορείτε να χρησιμοποιήσετε αυτό το προϊόν για τους κατωτέρω αναφερόμενους σκοπούς:

- Κούρεμα γρασιδιού και αγριόχορτων γύρω από βεράντες, φράχτες και δάπεδα

ΣΗΜΕΙΩΣΗ: Το εργαλείο πρέπει να χρησιμοποιείται αποκλειστικά για τη σκοπούμενη χρήση. Οποιαδήποτε άλλη χρήση θα χαρακτηριστεί ως περίπτωση κακής χρήσης.

Πριν από κάθε χρήση ελέγχετε για εξαρτήματα με ζημιές/φθορές

Ελέγχετε την κεφαλή χλοοκοπτικού, το προστατευτικό και τη λαβή μπροστινής υποβοήθησης και αντικαθιστάτε τα εξαρτήματα που έχουν ρωγμές, παραμόρφωση, λυγίσματα ή ζημιές οποιουδήποτε είδους.

Η λεπίδα κοπής νήματος στο άκρο του προστατευτικού μπορεί να στομώσει με την πάροδο του χρόνου. Συστήνεται να την τροχίζετε ανά τακτά χρονικά διαστήματα με μια λίμα ή να την αντικαθιστάτε με νέα.

⚠ ΠΡΟΕΙΔΟΠΟΙΗΣΗ: Φοράτε πάντα γάντια κατά την τοποθέτηση ή αντικατάσταση του προστατευτικού ή κατά το τρόχισμα ή την αντικατάσταση της λεπίδας. Προσέχετε τη θέση της λεπίδας στο προστατευτικό και προστατεύετε το χέρι σας από τραυματισμό.

⚠ ΠΡΟΕΙΔΟΠΟΙΗΣΗ: Για να εμποδίσετε σοβαρό ατομικό τραυματισμό, απομακρύνετε τη συστοιχία μπαταριών από την ηλεκτρική κεφαλή πριν από σέρβις, καθαρισμό, αλλαγή προσαρτημάτων ή αφαίρεση υλικού από τη μονάδα.

ΧΡΗΣΗ ΤΟΥ ΠΡΟΣΑΡΤΗΜΑΤΟΣ ΧΛΟΟΚΟΠΤΙΚΟΥ ΜΕ ΤΗΝ ΗΛΕΚΤΡΙΚΗ ΚΕΦΑΛΗ

⚠ ΠΡΟΕΙΔΟΠΟΙΗΣΗ: Ντύνεστε κατάλληλα για τη μείωση κινδύνου τραυματισμού κατά τη λειτουργία αυτού του εργαλείου. Μη φοράτε φαρδιά ρούχα ή κοσμήματα. Φοράτε προστατευτικά γυαλιά και προστατευτικό αφτιών/ακοής. Φοράτε βαριά, μακριά παντελόνια, μπότες και γάντια. Μην φοράτε κοντά παντελόνια, σανδάλια και μην είστε ξυπόλυτοι.

⚠ ΠΡΟΕΙΔΟΠΟΙΗΣΗ: Καθαρίζετε την περιοχή κοπής πριν από κάθε χρήση. Απομακρύνετε όλα τα αντικείμενα όπως πέτρες, σπασμένα γυαλιά, καρφιά, σύρματα ή νήματα τα οποία μπορεί να πεταχτούν ή να μπερδευτούν στο προσάρτημα κοπής. Εκκινώστε το χώρο από παιδιά, παρευρισκόμενους και κατοικίδια. Τα παιδιά, οι παρευρισκόμενοι και τα κατοικίδια πρέπει να βρίσκονται τουλάχιστον 15 μ. μακριά. Μπορεί να συνεχίζει να υπάρχει κίνδυνος για τους παρευρισκόμενους λόγω εκτοξευόμενων αντικειμένων. Οι παρευρισκόμενοι πρέπει να ενθαρρύνονται να φοράνε προστασία για τα μάτια. Εάν σας προσεγγίσουν, σταματήστε το μοτέρ και το προσάρτημα κοπής αμέσως.

Για μια ασφαλή και καλύτερη λειτουργία, τοποθετήστε τον ιμάντα ώμου εγκάρσια στον ώμο. Ρυθμίστε τον ιμάντα ώμου σε μια άνετη θέση λειτουργίας. Κρατάτε το χλοοκοπτικό με το ένα χέρι στην οπίσθια χειρολαβή και το άλλο χέρι στη λαβή μπροστινής υποβοήθησης. Κρατάτε σφιχτά και με τα δύο χέρια κατά τη λειτουργία. Το χλοοκοπτικό πρέπει να κρατείται σε άνετη θέση με την πίσω λαβή περίπου στο ύψος των γοφών. Η κεφαλή χλοοκοπτικού πρέπει να είναι παράλληλη προς το προστατευτικό έτσι ώστε να έχει εύκολη επαφή με το υλικό που θα κοπεί, χωρίς ο χειριστής να πρέπει να σκύβει (Εικ. Β).

⚠ ΠΡΟΕΙΔΟΠΟΙΗΣΗ: Ο ιμάντας ώμου είναι επίσης ένας μηχανισμός γρήγορης αποδέσμευσης σε επικίνδυνη κατάσταση. Σε επείγουσα κατάσταση αφαιρέστε τον από τον ώμο σας αμέσως, ανεξάρτητα από τη θέση του ιμάντα.

Μετά από κάθε χρήση, καθαρίζετε το χλοοκοπτικό

Δείτε το απόσπασμα ΣΥΝΤΗΡΗΣΗ για οδηγίες καθαρισμού.

ΕΝΑΡΞΗ/ΣΤΑΜΑΤΗΜΑ ΤΟΥ ΕΡΓΑΛΕΙΟΥ

Δείτε το απόσπασμα «**ΕΝΑΡΞΗ/ΣΤΑΜΑΤΗΜΑ ΤΗΣ ΗΛΕΚΤΡΙΚΗΣ ΚΕΦΑΛΗΣ**» στο εγχειρίδιο χρήσης της ηλεκτρικής κεφαλής RH1400E.

ΡΥΘΜΙΣΗ ΤΟΥ ΜΗΚΟΥ ΝΗΜΑΤΟΣ ΚΟΠΗΣ

Η κεφαλή χλοοκοπτικού επιτρέπει στον χειριστή να αποδεσμεύσει περισσότερο νήμα κοπής χωρίς να σταματήσει το μοτέρ. Καθώς το νήμα ξεφτίζει ή φθείρεται, μπορεί να αποδεσμευτεί περισσότερο νήμα πατώντας ελαφρά την κεφαλή χλοοκοπτικού στο έδαφος ενώ λειτουργεί το χλοοκοπτικό (Εικ. Ε).

ΣΗΜΕΙΩΣΗ: Η αποδέσμευση νήματος θα είναι πιο δύσκολη καθώς το νήμα κοπής γίνεται πιο κοντό.

⚠️ ΠΡΟΕΙΔΟΠΟΙΗΣΗ: Μην απομακρύνετε ή τροποποιείτε τη μονάδα λεπίδας κοπής νήματος. Υπερβάλλον μήκος νήματος θα προκαλέσει υπερθέρμανση στο μοτέρ και μπορεί να προκύψει σοβαρός ατομικός τραυματισμός.

ΑΝΤΙΚΑΤΑΣΤΑΣΗ ΝΗΜΑΤΟΣ

ΣΗΜΕΙΩΣΗ: Χρησιμοποιείτε πάντα το προτεινόμενο νήμα κοπής με μια διάμετρο που δεν υπερβαίνει τα 2,4 χιλ. Η χρήση νήματος διαφορετικού από το καθορισμένο μπορεί να προκαλέσει υπερθέρμανση ή ζημιά στο χλοοκοπτικό με νήμα.

⚠️ ΠΡΟΕΙΔΟΠΟΙΗΣΗ: Ποτέ μη χρησιμοποιείτε νήμα με μεταλλική ενίσχυση, σύρμα ή σχοινί κ.λπ. Αυτά μπορεί να σπάσουν και να εκτοξευθούν.

1. Αφαίρεση της συστοιχίας μπαταριών
2. Απομακρύνετε το υπόλοιπο νήμα κοπής, εφόσον απαιτείται. Απλά τραβήξτε το έξω με το χέρι.
3. Κόψτε νήμα κοπής μήκους 4 μ., Εισαγάγετε το νήμα μέσα στην οπή τοποθέτησης μέσα στο οφθαλμίδιο (Εικ. F). Ωθήστε και τραβήξτε το νήμα από την άλλη πλευρά, έως ότου εμφανιστεί ίσο μήκος νήματος και στις δύο πλευρές του καρουλιού.
4. Πιέστε, ενώ περιστρέψετε τον συγκρατητήρα καρουλιού στην κατεύθυνση βέλους, για να τυλίξετε το νήμα επάνω στο καρούλι, έως ότου περίπου 14 εκ. νήματος φαίνονται σε κάθε πλευρά (Εικ. G).
5. Ωθήστε τον συγκρατητήρα καρουλιού κάτω ενώ τραβάτε τα νήματα για να προωθήσετε χειροκίνητα το νήμα και για να ελέγξετε τη σωστή συναρμολόγηση της κεφαλής χλοοκοπτικού.

Όταν σπάσει το νήμα κοπής από την έξοδο νήματος ή το νήμα κοπής δεν αποδεσμευτεί όταν χτυπήσετε την κεφαλή χλοοκοπτικού, ακολουθήστε τα κατωτέρω βήματα:

1. Αφαιρέστε τη συστοιχία μπαταριών.
2. Πιέστε τις γλωττίδες αποδέσμευσης στον συγκρατητήρα καρουλιού και αφαιρέστε τον συγκρατητήρα καρουλιού τραβώντας τον ίσια προς τα έξω (Εικ. H & I).

3. Αφαιρέστε το νήμα κοπής από τον συγκρατητήρα καρουλιού.
4. Κρατώντας με το ένα χέρι τη βάση καρουλιού, χρησιμοποιήστε το άλλο χέρι για να πιέσετε τον συγκρατητήρα καρουλιού και ευθυγραμμίστε τις γλωττίδες στον συγκρατητήρα καρουλιού με τις οπές στη βάση καρουλιού (Εικ. J). Χρησιμοποιήστε την παλάμη σας για να πιέσετε και περιστρέψετε τον συγκρατητήρα καρουλιού αριστερά και δεξιά, έως ότου οι γλωττίδες κουμπώσουν με τη βάση καρουλιού (Εικ. K).
5. Ακολουθήστε τις οδηγίες στο απόσπασμα «ΑΝΤΙΚΑΤΑΣΤΑΣΗ ΝΗΜΑΤΟΣ» για να επαναφορτώσετε το νήμα κοπής.

Όταν το εργαλείο προορίζεται για χρήση ως θαμνοκοπτικό ακολουθείτε τα βήματα που απεικονίζονται στην Εικ. L & M ώστε να αποσυναρμολογήσετε την κεφαλή χλοοκοπτικού.

ΣΥΝΤΗΡΗΣΗ

⚠️ ΠΡΟΕΙΔΟΠΟΙΗΣΗ: Πριν τον έλεγχο, τον καθαρισμό ή τη συντήρηση της μονάδας, σταματήστε το μοτέρ, περιμένετε να σταματήσουν όλα τα κινούμενα εξαρτήματα και απομακρύνετε τη συστοιχία μπαταριών. Η μη τήρηση των οδηγιών μπορεί να οδηγήσει σε σοβαρό τραυματισμό ή υλικές ζημιές.

⚠️ ΠΡΟΕΙΔΟΠΟΙΗΣΗ: Όταν κάνετε συντήρηση του εργαλείου, χρησιμοποιείτε μόνο ίδια ανταλλακτικά. Η χρήση οποιωνδήποτε άλλων εξαρτημάτων μπορεί να προκαλέσει κίνδυνο ή ζημιά του προϊόντος. Για να διασφαλίζετε την ασφάλεια και την αξιοπιστία, όλες οι επισκευές που δεν αναφέρονται σε αυτές τις οδηγίες συντήρησης πρέπει να διεξάγονται από εξειδικευμένο τεχνικό του σέρβις.

ΓΕΝΙΚΗ ΣΥΝΤΗΡΗΣΗ

Αποφύγετε τη χρήση διαλυτών κατά τον καθαρισμό των πλαστικών εξαρτημάτων. Τα περισσότερα πλαστικά είναι ευπαθή στη χρήση διαφόρων τύπων διαλυτών του εμπορίου και καταστρέφονται από τη χρήση τους. Χρησιμοποιείτε καθαρό πανί για την απομάκρυνση βρωμιάς, σκόνης, λαδιού, γράσου κτλ.

ΚΑΘΑΡΙΣΜΟΣ ΤΗΣ ΜΟΝΑΔΑΣ

- Καθαρίστε γρασιδί που έχει τυλιχτεί γύρω από τον άξονα μοτέρ ή την κεφαλή χλοοκοπτικού.
- Χρησιμοποιείτε μια μικρή βούρτσα ή μια μικρή ηλεκτρική αναρροφητική σκούπα για να καθαρίζετε τις οπές αερισμού στο πίσω περίβλημα.
- Καθαρίζετε τη μονάδα χρησιμοποιώντας ένα νωπό πανί με ήπιο απορρυπαντικό.

- Μη χρησιμοποιήσετε κανένα δραστικό απορρυπαντικό πάνω στο πλαστικό περιβλήμα ή τη λαβή. Αυτά μπορούν να καταστραφούν από ορισμένα αρωματικά έλαια, όπως πεύκο και λεμόνι, καθώς και από διαλύτες, όπως η κηροζίνη. Η υγρασία μπορεί επίσης να προκαλέσει κίνδυνο ηλεκτροπληξίας. Σκουπίστε ενδεχόμενη υγρασία με ένα μαλακό στεγνό πανί.

ΛΙΠΑΝΣΗ ΣΥΣΤΗΜΑΤΟΣ ΟΔΟΝΤΟΤΡΟΧΩΝ

Το σύστημα οδοντοτροχών στο κιβώτιο γραναζιών πρέπει να λιπαίνεται περιοδικά με το γράσο μειωτήρων. Ελέγχετε σχεδόν κάθε 50 ώρες λειτουργίας τη στάθμη γράσου στο κιβώτιο γραναζιών αφαιρώντας τη βίδα στεγανοποίησης στα πλάγια του κιβωτίου.

Εάν δεν φαίνεται γράσο στις πλευρικές επιφάνειες του μειωτήρα, ακολουθήστε τα παρακάτω βήματα για να γεμίσετε με γράσο μειωτήρων έως την ένδειξη 3/4.

Μην γεμίσετε έως πάνω το σύστημα οδοντοτροχών.

1. Κρατάτε το χλοοκοπτικό με νήμα στα πλάγια έτσι ώστε η βίδα στεγανοποίησης να βλέπει προς τα επάνω.
2. Χρησιμοποιήστε το παρεχόμενο κλειδί πολλαπλών λειτουργιών για να λασκάρετε και να απομακρύνετε τη βίδα στεγανοποίησης.
3. Χρησιμοποιήστε μια σύριγγα γράσου (δεν περιλαμβάνεται) για να εισαγάγετε λίγο γράσο μέσα στην οπή βίδας. Μην υπερβείτε την ένδειξη 3/4.
4. Σφίξτε τη βίδα στεγανοποίησης μετά την έγχυση γράσου.

ΑΠΟΘΗΚΕΥΣΗ ΤΗΣ ΜΟΝΑΔΑΣ

- Απομακρύνετε τη συστοιχία μπαταριών από το χλοοκοπτικό.
- Καθαρίστε το εργαλείο σχολαστικά προτού το αποθηκεύσετε.
- Εάν το προσάρτημα χλοοκοπτικού με νήμα αφαιρεθεί από την ηλεκτρική κεφαλή και αποθηκευτεί ξεχωριστά: Τοποθετήστε το τερματικό καπάκι στον άξονα προσαρτήματος προς αποφυγή διεσόδου ρύπων στη διάταξη ζεύξης.
- Αποθηκεύετε τη μονάδα σε έναν στεγνό, καλά αεριζόμενο χώρο, κλειδωμένο ή σε ψηλό σημείο, εκτός εμβέλειας παιδιών. Μην αποθηκεύετε τη μονάδα επάνω ή δίπλα σε λιπάσματα, βενζίνη ή άλλες χημικές ουσίες.

Προστασία του περιβάλλοντος



Μην απορρίπτετε τους ηλεκτρικούς εξοπλισμούς, το φορτιστή μπαταρίας και τις μπαταρίες/επαναφορτιζόμενες μπαταρίες στα οικιακά απορρίμματα!

Σύμφωνα με τον Ευρωπαϊκό νόμο 2012/19/ΕΕ, οι ηλεκτρικοί και οι ηλεκτρονικοί εξοπλισμοί που δεν χρησιμοποιούνται πλέον και σύμφωνα με τον Ευρωπαϊκό νόμο 2006/66/ΕΚ, οι ελαττωματικές ή χρησιμοποιημένες συστοιχίες μπαταριών/μπαταρίες πρέπει να συλλέγονται ξεχωριστά.

Εάν οι ηλεκτρικές συσκευές απορριφθούν στο ύπαιθρο ή σε χωματερές, τότε είναι πιθανό να διαρρεύσουν επικίνδυνες ουσίες στα υπόγεια ύδατα, με αποτέλεσμα να περάσουν στην τροφική αλυσίδα, προκαλώντας ζημιές στην υγεία και την φυσική σας κατάσταση.

ΑΝΤΙΜΕΤΩΠΙΣΗ ΠΡΟΒΛΗΜΑΤΩΝ

ΠΡΟΒΛΗΜΑ	ΑΙΤΙΑ	ΕΠΙΛΥΣΗ
Το χλοοκοπτικό με νήμα δεν εκκινείται.	<ul style="list-style-type: none"> ■ Η συστοιχία μπαταριών δεν έχει προσαρτηθεί στην ηλεκτρική κεφαλή. ■ Δεν υπάρχει ηλεκτρική επαφή μεταξύ της ηλεκτρικής κεφαλής και της συστοιχίας μπαταριών. ■ Η συστοιχία μπαταριών έχει εξαντληθεί. ■ Ο μοχλός ασφάλισης και η σκανδάλη δεν πατήθηκαν ταυτόχρονα. 	<ul style="list-style-type: none"> ■ Τοποθετήστε τη συστοιχία μπαταριών στην ηλεκτρική κεφαλή. ■ Απομακρύνετε τη μπαταρία, ελέγξτε τις επαφές και επαναγκαταστήστε τη συστοιχία μπαταριών, έως ότου κουμπώσει στη θέση της. ■ Φορτίστε τη συστοιχία μπαταριών με τους φορτιστές EGO που παρατίθενται στο παρόν εγχειρίδιο. ■ Πατήστε κάτω το μοχλό ασφάλισης και κρατήστε τον, κατόπιν πιέστε τη σκανδάλη για να ενεργοποιήσετε το χλοοκοπτικό με νήμα.
Το χλοοκοπτικό ΜΕ ΝΗΜΑ σταματάει κατά την κοπή.	<ul style="list-style-type: none"> ■ Το προστατευτικό δεν έχει τοποθετηθεί στο χλοοκοπτικό με αποτέλεσμα εξαιρετικά μακριά γραμμή κοπής και υπερφόρτωση του μοτέρ. ■ Χρησιμοποιείται βαριά γραμμή κοπής. ■ Ο άξονας μοτέρ ή η κεφαλή χλοοκοπτικού έχουν μπλοκαριστεί με γρασίδι. ■ Το μοτέρ έχει υπερφορτωθεί. ■ Η συστοιχία μπαταριών ή το χλοοκοπτικό με νήμα είναι πολύ καυτά. ■ Η συστοιχία μπαταριών έχει αποσυνδεθεί από το εργαλείο. ■ Η συστοιχία μπαταριών έχει εξαντληθεί. 	<ul style="list-style-type: none"> ■ Απομακρύνετε τη συστοιχία μπαταριών και τοποθετήστε το προστατευτικό στο χλοοκοπτικό. ■ Χρησιμοποιείτε το προτεινόμενο νάιλον νήμα κοπής με διάμετρο όχι μεγαλύτερη από 2,4 χιλ. ■ Σταματήστε το χλοοκοπτικό, απομακρύνετε τη μπαταρία και αφαιρέστε το γρασίδι από τον άξονα μοτέρ και την κεφαλή χλοοκοπτικού. ■ Απομακρύνετε την κεφαλή χλοοκοπτικού από το γρασίδι. Το μοτέρ θα συνεχίσει να λειτουργεί μόλις αφαιρεθεί το φορτίο. Κατά την κοπή μετακινείτε την κεφαλή χλοοκοπτικού μέσα και έξω από το γρασίδι που θα κοπεί και μην απομακρύνετε σε μήκος περισσότερο από 20 εκ. σε μια μόνο κοπή. ■ Επιτρέψτε να κρυώσει η συστοιχία μπαταριών ή το χλοοκοπτικό, έως ότου η θερμοκρασία πέσει κάτω από τους 67°C . ■ Επαναγκαταστήστε τη συστοιχία μπαταριών. ■ Φορτίστε τη συστοιχία μπαταριών με τους φορτιστές EGO που παρατίθενται στο παρόν εγχειρίδιο.

ΠΡΟΒΛΗΜΑ	ΑΙΤΙΑ	ΕΠΙΛΥΣΗ
Η κεφαλή χλοοκοπτικού δεν προωθεί νήμα	<ul style="list-style-type: none"> ■ Ο άξονας μοτέρ ή η κεφαλή χλοοκοπτικού έχουν μπλοκαριστεί με γρασίδι. ■ Δεν υπάρχει επαρκές νήμα στο καρούλι. ■ Η κεφαλή χλοοκοπτικού είναι βρώμικη. ■ Το νήμα έχει μπλοκάρει στον συγκρατητήρα καρουλιού. ■ Το νήμα είναι πολύ κοντό. 	<ul style="list-style-type: none"> ■ Σταματήστε το χλοοκοπτικό, απομακρύνετε τη μπαταρία και αφαιρέστε το γρασίδι από τον άξονα μοτέρ και την κεφαλή χλοοκοπτικού. ■ Απομακρύνετε τη μπαταρία και αντικαταστήστε το νήμα κοπής. Ακολουθήστε το απόσπασμα «ΑΝΤΙΚΑΤΑΣΤΑΣΗ ΝΗΜΑΤΟΣ» στο παρόν εγχειρίδιο. ■ Απομακρύνετε τη μπαταρία και καθαρίστε το καρούλι, το συγκρατητήρα καρουλιού και τη βάση καρουλιού. ■ Απομακρύνετε τη μπαταρία, αφαιρέστε το νήμα από το καρούλι και ξανατυλίξτε. Ακολουθήστε το απόσπασμα «ΑΝΤΙΚΑΤΑΣΤΑΣΗ ΝΗΜΑΤΟΣ» στο παρόν εγχειρίδιο. ■ Απομακρύνετε τη μπαταρία και τραβήξτε το νήμα ενώ πατάτε κάτω και αποδεσμεύετε διαδοχικά το κουμπί πρόσκρουσης.
Τυλίγεται γρασίδι γύρω από την κεφαλή χλοοκοπτικού και από το περίβλημα μοτέρ.	<ul style="list-style-type: none"> ■ Κοπή ψηλού γρασιδιού στο επίπεδο εδάφους. 	<ul style="list-style-type: none"> ■ Κόβετε ψηλό γρασίδι από επάνω προς τα κάτω, απομακρύνοντας όχι περισσότερα από 20 εκ. σε κάθε διέλευση, ώστε να εμποδίσετε τύλιξη.
Η λεπίδα δεν κόβει το νήμα.	<ul style="list-style-type: none"> ■ Η λεπίδα κοπής νήματος στο άκρο του προστατευτικού έχει στομώσει. 	<ul style="list-style-type: none"> ■ Τροχίστε τη λεπίδα κοπής νήματος με μια λίμα ή αντικαταστήστε με μια νέα λεπίδα.
Ρωγμές στην κεφαλή χλοοκοπτικού ή ο συγκρατητήρας καρουλιού λασκάρει με τη βάση καρουλιού.	<ul style="list-style-type: none"> ■ Η κεφαλή χλοοκοπτικού έχει φθαρεί. 	<ul style="list-style-type: none"> ■ Αντικαταστήστε αμέσως την κεφαλή χλοοκοπτικού. Τηρείτε τις οδηγίες στο απόσπασμα «ΑΝΤΙΚΑΤΑΣΤΑΣΗ ΚΕΦΑΛΗΣ ΧΛΟΟΚΟΠΤΙΚΟΥ» στο παρόν εγχειρίδιο.
Κατά την αντικατάσταση νήματος, το νήμα δεν φορτώνεται σωστά στην κεφαλή χλοοκοπτικού.	<ul style="list-style-type: none"> ■ Οι γραμμές ΦΟΡΤΙΟΥ του συγκρατητήρα καρουλιού δεν ευθυγραμμίζονται με τα οφθαλμίδια στη βάση καρουλιού. ■ Το νήμα κοπής δεν έχει εισαχθεί σωστά στην οπή τοποθέτησης του οφθαλμιδίου. 	<ul style="list-style-type: none"> ■ Περιστρέψτε τον συγκρατητήρα καρουλιού στην κατεύθυνση βέλους για να ευθυγραμμίσετε τις γραμμές ΦΟΡΤΙΟΥ στον συγκρατητήρα καρουλιού με τα οφθαλμίδια στη βάση καρουλιού. ■ Ευθυγραμμίστε τις γραμμές ΦΟΡΤΙΟΥ πρώτα με τα οφθαλμίδια, κατόπιν εισαγάγετε το νήμα μέσα στην οπή τοποθέτησης εντός του οφθαλμιδίου.

GR

ΕΓΓΥΗΣΗ

ΠΟΛΙΤΙΚΗ ΕΓΓΥΗΣΗΣ EGO

Επισκεφθείτε την ιστοσελίδα egopowerplus.com για όλους τους όρους και τις προϋποθέσεις της πολιτικής εγγύησης EGO.

216

TÜM TALIMATLARI OKUYUN!



Kullanım Kilavuzunu Okuyun

⚠️ Artık risk! Kalp pili gibi elektronik cihaz kullanan kişiler bu ürünü kullanmadan önce hekimlerine danışmalıdır. Elektrikli cihazların, kalp pili yakınında çalıştırılması kalp pilinde parazite veya arızaya neden olabilir.

⚠️ UYARI: Güvenliği ve güvenilirliği sağlamak için, tüm onarım işlemleri yetkili bir servis teknisyeni tarafından gerçekleştirilmelidir.

GÜVENLİK SEMBOLLERİ

Güvenlik sembollerinin amacı olası tehlikelere dikkatinizi çekmektir. Güvenlik sembolleri ve yanlarındaki açıklamalar özel dikkat ve anlayış göstermenizi gerektirir. Uyarı sembolleri kendi başlarına herhangi bir tehlikeyi gidemez. Sundukları talimat ve uyarılar uygun kaza önleme önlemlerinin yerine geçmez.

⚠️ UYARI: Bu aleti kullanmadan önce **"TEHLİKE,"** **"UYARI"** ve **"DİKKAT"** gibi tüm güvenlik uyarı sembollerini içeren bu Kullanım Kilavuzu içindeki tüm güvenlik talimatlarını okuyup anladığınızdan emin olun. Aşağıdaki talimatların tamamına uyulmaması elektrik çarpması, yangın ve/veya ciddi kişisel yaralanma ile sonuçlanabilir.

SEMBOLÜN ANLAMI

⚠️ GÜVENLİK UYARI SEMBOLÜ: TEHLİKE, UYARI veya DİKKAT sembolünün diğer semboller veya resimlerle birlikte kullanılabileceğini gösterir.



⚠️ UYARI: Her türlü elektrikli aletin kullanımı yabancı cisimlerin gözlerinize fırlatılması sonucunu doğurabilir. Bu da gözlerde ciddi hasara yol açabilir. Elektrikli aleti kullanmaya başlamadan önce, daima göz koruması veya yan siperleri olan koruyucu gözlük takın ve gerektiğinde tam yüz siperi kullanın. Gözlük üzerine kullanım için Wide Vision Koruyucu Maske ya da yan siperleri olan standart koruyucu gözlükleri tavsiye ederiz.

GÜVENLİK TALIMATLARI

Bu sayfada, bu ürün üzerinde görülebilecek güvenlik sembolleri gösterilmekte ve açıklanmaktadır. Makineyi monte etmeye ve kullanmaya başlamadan önce, makineye ilişkin tüm talimatları okuyup anlayın ve bu talimatlara uyun.

	Güvenlik Uyarısı	Potansiyel bir kişisel yaralanma tehlikesini gösterir.
	Kullanım Kilavuzunu Okuyun	Yaralanma riskini azaltmak için, kullanıcı bu ürünü kullanmadan önce kullanım kilavuzunu okuyup anlamalıdır.
	Koruyucu Gözlük Takın	Bu ürünü çalıştırırken daima göz koruması ya da yan siperleri olan koruyucu gözlük ve tam yüz maskesi kullanın.
	Kulak Koruması Takın	Kulaklarınızı korumak için daima kulak koruyucu (kulak tıkacı veya kulaklık) kullanın.
	Koruyucu Kask Takın	Başınızı korumak için onaylı bir güvenlik kaskı takın.
	Koruyucu Eldiven Takın	Bıçak veya bıçak muhafazasını tutarken eldiven takarak ellerinizi koruyun. Dayanıklı ve kaymaz eldivenler daha iyi bir tutuş sağlarken ellerinizi de korur.
	Koruyucu Ayakkabı Giyin	Bu cihazı kullanırken kaymaz koruyucu ayakkabılar giyin.
	Kesim Genişliği	Misinalı çim biçme makinesinin maks. kesim genişliği
	Misina Çapı	Naylon kesim ipinin çapı
	Yuvarlak bıçak kullanılamaz	Yuvarlak kesim bıçağı takmayın.
	Üçüncü Şahısları Uzak Tutun	Misinalı çim biçme makinesi kullanılırken diğer insanların ve evcil hayvanların en az 15m uzaktan olduklarından emin olun.

TR

	Üçüncü Şahısları Uzak Tutun	Misinalı çim biçme makinesi kullanılırken diğer insanların ve evcil hayvanların en az 15m uzakta olduklarından emin olun.
	Yağmura Maruz Bırakmayın	Bu ürünü yağmur altında kullanmayın veya yağmur yağarken dışarıda bırakmayın.
	CE	Bu ürün, yürürlükteki AB yönetmeliklerine uygundur.
	WEEE	Atık elektrikli ürünler, evsel atıklar ile birlikte imha edilmemelidir. Yetkili bir geri dönüşüm merkezine teslim edilmelidir.
	Gürültü	Garanti edilen ses gücü seviyesi. Avrupa Birliği Yönetmeliği'ne göre çevre gürültü emisyonu.
V	Volt	Voltaj
mm	Milimetre	Uzunluk veya boyut
cm	Santimetre	Uzunluk veya boyut
kg	Kilogram	Ağırlık

ELEKTRİKLİ ALETLER İÇİN GENEL GÜVENLİK UYARILARI

TR

⚠ UYARI: Bu elektrikli aletle birlikte verilen tüm güvenlik uyarılarını, talimatları, resimli açıklamaları ve teknik özellikleri okuyun. Aşağıdaki talimatların tamamına uyulmaması elektrik çarpması, yangın ve/veya ciddi yaralanma ile sonuçlanabilir.

Tüm uyarı ve talimatları gelecekte başvuru amacıyla muhafaza edin.

Uyarılarda geçen "elektrikli alet" terimi ile elektrik prizinden beslenen (kablolu) elektrikli alet veya şarjlı (kablesiz) elektrikli alet kastedilmektedir.

ÇALIŞMA ALANI GÜVENLİĞİ

- Çalışma alanını temiz tutun ve yeterli aydınlatma

sağlayın. Karışık veya karanlık alanlar kazalara yol açar.

- Elektrikli aletleri yanıcı sıvı, gaz veya toz içeren patlayıcı ortamlarda çalıştırmayın. Elektrikli aletten çıkan kıvılcıklar toz veya gazları tutuşturabilir.
- Çalışırken çocukları ve üçüncü şahısları elektrikli aletten uzak tutun. Dikkatinizin dağılması kontrolü kaybetmenize neden olabilir.

KİŞİSEL GÜVENLİK

- Elektrikli aletleri kullanırken daima dikkatli olun, yaptığınız işe yoğunlaşın ve sağduyulu davranın. Yorgunken, uyuşturucu, alkol veya ilaçlı bir tedavi etkisi altındayken elektrikli aleti kullanmayın. Elektrikli aletleri kullanırken bir anlık dikkatsizlik ciddi kişisel yaralanmayla sonuçlanabilir.
- Kişisel koruyucu ekipman kullanın. Daima koruyucu gözlük takın. Koşullara uygun toz maskesi, kaymaz emniyet ayakkabıları, kask veya işitme koruması vb. koruyucu ekipman kullanılması kişisel yaralanmaları azaltır.
- Yanışlıkla çalıştırmaktan kaçının. Aleti güç kaynağına ve/veya pil takımına bağlamadan, havaya kaldırmadan veya taşımadan önce, açma kapama düğmesinin kapalı olduğundan emin olun. Aleti, parmağınız açma kapama düğmesi üzerinde dururken taşımak veya alet açıkken fişi prize takmak kazalara davetiye çıkarır.
- Elektrikli aleti çalıştırmadan önce, herhangi bir alyen veya anahtar varsa çıkarın. Elektrikli aletin döner parçalarına takılı kalmış bir alyen veya anahtar kişisel yaralanmalara neden olabilir.
- Dengesiz bir duruşla çalışma yapmayın. Çalışma süresince ayaklarınızı sağlam basın ve dengeyi koruyun. Böyle yapılması, beklenmedik durumlarda elektrikli aletin daha iyi kontrol edilmesini sağlar.
- Uygun bir şekilde giyinin. Bol giysiler giymeyin veya takı takmayın. Saçlarınızı, elbiselerinizi ve eldivenlerinizi hareketli parçalardan uzak tutun. Bol giysiler, takılar veya uzun saçlar aletin hareketli parçalarına takılabilir.
- Toz toplayıcı cihaz bağlantıları ve toplama tesisleri olması durumunda, bu bağlantıların düzgün yapılmış ve kullanılıyor olduğundan emin olun. Toz tutucu cihazların kullanımı tozdan kaynaklanabilecek tehlikeleri azaltabilir.
- Aletlerin sık kullanılmasından kaynaklanan aşınalığın sizin boş vermenize ve aletin güvenli prensiplerini görmezden gelmenize neden olmasına izin vermeyin. Dikkatsiz bir hareket, saniyenin binde birindeki bir sürede ağır yaralanmalara neden olabilir.

ELEKTRİKLİ ALET KULLANIMI VE BAKIMI

- Elektrikli aleti zorlamayın. Yaptığınız işe uygun elektrikli aleti kullanın. Doğru elektrikli alet, tasarımına uygun değerlerde kullanıldığında daha iyi ve daha güvenli çalışacaktır.
- Açma kapama düğmesi çalışmıyorsa elektrikli aleti kullanmayın. Açma kapama düğmesi ile kontrol edilemeyen bir elektrikli alet tehlikelidir ve onarılması gerekir.
- Çalıştırılmayan elektrikli aletleri çocuklardan uzak tutun ve elektrikli aletin kullanımına veya bu talimatlara aşina olmayan kimselerin elektrikli aleti çalıştırmalarına izin vermeyin. Elektrikli aletler eğitimsiz kullanıcıların elinde tehlikelidir.
- Elektrikli aletlere ve aksesuarlara bakım yapın. Hareketli parçaların kusursuz olarak işlev görüp görmediğini veya sıkışıp sıkışmadığını, parçaların hasarlı olup olmadığını ve elektrikli aletin çalışmasını etkileyebilecek diğer tüm koşulları kontrol edin. Elektrikli alet hasarlı ise, kullanmadan önce onarılmasını sağlayın. Kazaların çoğu, elektrikli alet bakımının yeterli şekilde yapılmamasından kaynaklanır.
- Keskin aletleri keskin ve temiz tutun. Keskin kesim kenarlarına sahip, bakımı yapılmış kesim aletleri daha az sorun çıkarır ve kontrolü kolaydır.
- Elektrikli aleti, aksesuarlarını ve alet uçlarını vb. çalışma şartlarını ve yapılacak işi dikkate alarak bu talimatlara uygun şekilde kullanın. Elektrikli aletin kullanım amacı dışındaki işlerde kullanılması tehlikeli durumlara neden olabilir.
- Tutma saplarını ve kavrama yüzeyini kuru, temiz, benzin ve yağdan uzak tutun. Kaygan saplar ve kavrama yüzeyleri, aletin beklenmeyen durumlarda güvenli bir şekilde tutulmasına ve kontrol edilmesine izin vermez.
- Kabloları, aletin çalışma alanından uzak tutun. Çalışma sırasında kablolar gizlenmiş olabilir ve alet tarafından yanlışlıkla hasar görebilirler.

PİLLE ÇALIŞAN ALETLERİNİN KULLANIMI VE BAKIMI

- Sadece üretici tarafından belirtilen şarj cihazı ile şarj edin. Bir pil takımı için uygun olan şarj cihazı, başka bir pil takımı ile kullanıldığında yangın riski oluşturabilir.
- Elektrikli aletleri sadece özel olarak üretilmiş pil paketleri ile kullanın. Başka pil paketlerinin kullanımı yaralanma ve yangın tehlikesi oluşturabilir.

- Pil paketinin kullanımda olmadığı durumlarda pil takımını ataş, bozuk para, anahtar, çivi, vida veya pil kutupları arasında kısa devre yapabilecek diğer metal nesnelere uzak tutun. Pil kutuplarının kısa devre edilmesi yangın veya yanıklara neden olabilir.
- Kötü şartlar altında pilden sıvı akışı olabilir; sıvı ile temas etmekten kaçının. Yanlışlıkla temas edilirse, etkilenen bölgeyi su ile yıkayın. Sıvı göze temas ederse, ayrıca tıbbi yardım alın. Pilden akan sıvı tahriş veya yanıklara neden olabilir.
- Pil takımını veya aleti hasarlı veya üzerinde değişiklik yapılmış şekilde kullanmayın. Hasarlı veya üzerinde değişiklik yapılmış pil takımları yangın, patlama veya yaralanma riskine neden olacak şekilde beklenmeyen davranışlar gösterebilir.
- Pil takımını veya aleti ateşe veya aşırı sıcaklıklara maruz bırakmayın. Ateşe veya 100°C'nin üzerindeki sıcaklıklara maruz kalması patlamaya neden olabilir.
- Tüm şarj talimatlarına uyun ve pil takımını veya aleti talimatlarda belirtilen sıcaklık aralığının dışındaki sıcaklıklarda şarj etmeyin. Hatalı veya belirtilen sıcaklık aralığının dışındaki sıcaklıklarda şarj etmek, pil takımına zarar verebilir ve yangın riskini artırır.

SERVİS

- Elektrikli aletinizin bakımını, sadece orijinal yedek parça kullanan uzman bir tamirciye yaptırın. Böyle yapılması, elektrikli alet güvenliğinin korunmasını sağlayacaktır.
- Asla hasarlı pil paketlerine bakım-onarım yapmayın. Pil paketlerinin bakımı sadece üretici veya yetkili servisler tarafından yapılmalıdır.

⚠ UYARI: Bu elektrikli aletle birlikte verilen tüm güvenlik uyarılarını, talimatları, resimli açıklamaları ve teknik özellikleri okuyun. Aşağıdaki talimatların tamamına uyulmaması elektrik çarpması, yangın ve/veya ciddi yaralanma ile sonuçlanabilir. Tüm uyarı ve talimatları gelecekte başvuru amacıyla muhafaza edin.

Tüm uyarı ve talimatları gelecekte başvuru amacıyla muhafaza edin.

EĞİTİM

- Talimatları dikkatle okuyun. Cihazın kumandalarını ve uygun kullanım şeklini öğrenin.
- Kullanım talimatları hakkında yeterli bilgiye sahip olmayan kişilerin veya çocukların cihazı kullanmasına asla izin vermeyin. Yerel yönetmelikler kullanıcının yaşını kısıtlayabilir.

- Operatör veya kullanıcının, diğer kişilerin veya eşyaların başına gelebilecek yaralanma veya hasarlardan sorumlu olduğunu unutmayın.

HAZIRLIK

- Makineyi asla yakınınızda başkaları, özellikle de çocuklar veya evcil hayvanlar varken kullanmayın.
- Cihazı çalıştırırken daima göz koruması ve sağlam ayakkabı kullanın.
- Makine ile çevredeki insanlar arasında en az 15 m mesafe olmalıdır.
- Makineyi asla operatör hasta veya alkol veya diğer uyuşturucuların etkisi altındayken çalıştırmayın.

ÇALIŞMA

- Makineyi sadece gün ışığında veya iyi suni aydınlatma altında kullanın.
- Makineyi asla hasarlı koruyucu donanım veya koruyucu donanım takılı değilken kullanmayın.
- Motoru sadece el ve ayaklar kesim araçlarından uzakta olduğunda çalıştırın.
- Makineyi daima güç kaynağından ayırın (örn. aküyü çıkarın).
 - makineyi gözetimsiz bıraktığınızda;
 - bir tıkanıklığı gidermeden önce;
 - makineyi kontrol etmeden, temizlemeye veya makine üzerinde çalışmaya başlamadan önce;
 - yabancı bir cisme çarptıktan sonra;
 - makine anormal bir sarsıntı gösterdiğinde.
- Kesme aletinden ellerde ve ayaklarda oluşabilecek yaralanmalara karşı özen gösterin.
- Havalandırma boşluklarında artık olmadığından emin olun.

TR

BAKIM VE SAKLAMA

- Herhangi bir bakım veya temizlik işlemi gerçekleştirmeden önce, makinenin fişini prizden çekin (veya aküyü çıkartın).
- Sadece üretici tarafından önerilen yedek parça ve aksesuarları kullanın.
- Makineyi düzenli olarak kontrol edin ve bakımını yapın. Makinenin sadece yetkili bir uzman tarafından tamir edilmesini sağlayın.
- Kullanmadığınız zaman, makineyi çocukların ulaşamayacağı bir yerde saklayın.

DİĞER GÜVENLİK UYARILARI

- **Tehlikeli ortamlardan kaçının** – Cihazları nemli veya ıslak yerlerde kullanmayın.
- **Koruyucu donanımı yerinde ve çalışır durumda tutun.**
- **Ellerinizi ve ayaklarınızı kesim alanından uzak tutun.**
- **Yaralanma riskini azaltmak için, asla merdiven üzerinde ya da diğer herhangi bir güvenli olmayan destek üzerinde çalışmayın. Asla kesim ünitesini bel yüksekliğinin üzerinde tutmayın.**
- **Çalışma sırasında kesim ünitesini kısa aralıklarla düzenli olarak veya kesim işlevinde gözle görülür bir değişim varsa derhal kontrol edin.**
- **En iyi sonuçlar için akü, sıcaklığın 5°C'nin üzerinde ve 40°C'nin altında olduğu bir ortamda şarj edilmelidir. Açık havada veya araç içinde saklamayın.**
- **Çalışırken yanınıza yaklaşan kimselerin olması durumunda, motoru ve kesim ünitesini durdurun.**
- **Operatörü bıçağın kuvvetle itilme tehlikesine karşı uyarın (sadece 3 dişli bıçak ile kullanımda).**
 - Bıçağın kuvvetle itilmesi, döner bıçağın hemen kesemediği bir nesneyle temas etmesi durumunda meydana gelebilir.
 - Bıçağın kuvvetle itilmesi, cihazın ve/veya operatörün herhangi bir yönde itilerek cihaz kontrolünün kaybedilebileceği şiddette olabilir.
 - Bıçak takılır, durur veya dönmesi engellenirse uyarı olmaksızın bıçak kuvvetle itilebilir.
 - Bıçağın kuvvetle itilmesi olayı, kesilen malzemeyi görmenin zor olduğu bölgelerde daha çok meydana gelebilir.
- **Gerekli tüm parçaları düzgün bir şekilde monte etmeden makineye herhangi bir bıçak takmayın. Uygun parçaların kullanılmaması, bıçağın çıkarak fırlamasına ve kullanıcı ve/veya üçüncü şahısların ciddi şekilde yaralanmasına neden olabilir. Kıvrılmış, bükülmüş, çatlamış, kırılmış veya herhangi bir şekilde hasar görmüş bıçakları atın. Keskin bir bıçak kullanın. Kör bir bıçağın takılıp kuvvetle itilme olasılığı daha fazladır (sadece 3 dişli bıçak ile kullanımda).**
- **Boşta dönen bir bıçak/misina, motor durdurulduktan veya tetik bırakıldıktan sonra da dönmeye devam ettiğinden yaralanmalara neden olabilir. Bıçak/misina tamamen duruncaya kadar cihazın kontrolünü bırakmayın.**

- Pille çalışan aletlerin elektrik prizine takılmalarına gerek yoktur; bu nedenle bu tür aletler daima çalışmaya hazır durumdadır. Alet kullanılmadığı zaman dahi oluşabilecek muhtemel tehlikelere karşı dikkatli olun. Bakım veya onarım işlemleri sırasında dikkatli olun.
- Hortumla yıkamayın; motor ve elektrik bağlantılarına su kaçırmamaya dikkat edin.
- Bu kılavuzda yer almayan durumlar meydana gelirse, dikkatli ve sağduyulu davranın. Yardım için EGO Müşteri Hizmetleri Merkeziyle irtibata geçin.
- Sadece Şek. A'da listelenen pil paketi ve şarj cihazlarını kullanın.

BU TALİMATLARI SAKLAYIN!

TEKNİK ÖZELLİKLER

Kesim Mekanizması	Çarpma Başı	
Misina Çapı	2,4 mm naylon bükülü misina	
Kesim Genişliği	38 cm	
Yüksüz hız	5000/6000 min ⁻¹	
Ağırlık (pil paketi hariç)	1,59 kg	
Tavsiye Edilen Çalışma Sıcaklığı	0°C-40°C	
Tavsiye Edilen Depolama Sıcaklığı	-20°C-70°C	
Ölçülen ses güç düzeyi L _{WA}	94,6 dB(A) K=1,80 dB(A)	
Operatör konumundaki ses güç düzeyi L _{PA}	83,2 dB(A) K=3 dB(A)	
Garanti edilen ses güç düzeyi L _{WA} (2000/14/EC uyarınca ölçülmüş)	96 dB(A)	
Titreşim a _n	Ön Tutma Sapı	1,1 m/s ² K=1,5 m/s ²
	Arka Tutma Sapı	1,4 m/s ² K=1,5 m/s ²

- Yukarıdaki parametreler, PH1400E elektrikli alet başlığı takılı olarak test edilmiş ve ölçülmüştür.
- Bildirilen toplam titreşim değeri standart test yöntemine uygun olarak ölçülmüştür ve bir cihazı diğer bir cihaz ile karşılaştırmak için kullanılabilir.
- Bildirilen toplam titreşim değeri ayrıca ön maruz kalma değerlendirmesinde de kullanılabilir.

UYARI: Elektrikli aletin gerçek kullanımı sırasında meydana gelen titreşim emisyonu aletin kullanım şekline bağlı olarak bildirilen değerden farklı olabilir; Operatörü korumak için, kullanıcı gerçek kullanım koşullarında eldiven ve kulak koruması takmalıdır.

AMBALAJ LİSTESİ

PARÇA ADI	MİKTAR
Misinalı Çim Biçme Aparatı	1
Koruma	1
Alyen anahtar	1
Çok İşlevli Anahtar	1
Kullanma kılavuzu	1

Önerilen kesim misinası hakkında, lütfen web sitemizi (egopowerplus.com) ziyaret edin veya EGO Ürün Kataloğuna bakın.

AÇIKLAMA

TEL ÇİM BİÇME MAKİNESİ AKSESUARINIZI TANIYIN (Şek. A)

1. Uç Kapak
2. Misinalı Çim Biçme Makinesi Mili
3. Kesim Misinası
4. Çim Biçme Makinesi Başlığı (Çarpma Başı)
5. Bırakma Sekmesi
6. Misinalı Kesim Bıçağı
7. Koruyucu
8. Alyen Anahtar
9. Çok İşlevli Anahtar

⚠ UYARI: Aleti asla koruması düzgün şekilde takılı değilken kullanmayın. Koruyucu, kullanıcıyı korumak için daima alete takılı durumda olmalıdır!

MONTAJ

⚠ UYARI: Hasarlı veya eksik parça varsa, bu parçalar değiştirilinceye kadar ürünü çalıştırmayın. Bu ürünün hasarlı veya eksik parçalar ile kullanılması ciddi kişisel yaralanmalara yol açabilir.

⚠ UYARI: Bu ürün üzerinde değişiklik yapmaya veya bu misinalı çim biçme makinesi ile kullanılması önerilmeyen aksesuarlar oluşturmaya çalışmayın. Bu tür değişiklikler veya modifikasyonlar hatalı kullanımdır ve ciddi kişisel yaralanmalara neden olabilen tehlikeli bir duruma sebep olabilir.

TR

⚠ UYARI: Montaj tamamlanıncaya kadar elektrikli alet başlığına bağlamayın. Böyle yapılması durumunda, ürün yanlışlıkla çalışıp ciddi kişisel yaralanmalara neden olabilir.

KORUYUCUNUN MONTE EDİLMESİ

⚠ UYARI: Koruyucu monte edilirken veya değiştirilirken daima eldiven takın. Koruyucu üzerindeki bıçağa dikkat edin ve ellerinizi bıçak yaralanmalarından koruyun.

Mil tabanından iki vidayı gevşetin ve çıkarın (Şek. B), muhafaza montaj delikleri ile aksam deliklerini hizalayın ve ardından muhafazayı mil tabanına iki yaylı rondela ve iki vida ile sabitleyin (Şek. C).

Koruyucunun Şek. C ve D'ye uygun olarak monte edildiğinden emin olun, hatalı bir montaj büyük tehlikeye yol açar!

ÇİM BİÇME APARATININ ELEKTRİKLİ ALET BAŞLIĞINA BAĞLANMASI

Bu çim biçme aparatı EGO PH1400E elektrikli alet başlığı ile kullanılmak üzere tasarlanmıştır.

Elektrikli alet başlığı PH1400E'nin kullanım kılavuzunda yer alan "ELEKTRİKLİ ALET BAŞLIĞINA AKSESUAR TAKMA" bölümüne bakın.

ÇALIŞTIRMA

⚠ UYARI: Ürüne aşına olmanız sizi dikkatsiz yapmasın. İkinci dereceden bir dikkatsizliğin ciddi yaralanmalara neden olmak için yeterli olduğunu unutmayın.

⚠ UYARI: Daima göz koruması ve kulak koruması kullanın. Böyle yapılmaması sonucu gözlerinize fırlayan nesnelere ciddi kişisel yaralanmalara neden olabilir.

UYGULAMALAR

Bu ürünü aşağıdaki işlemler için kullanabilirsiniz:

- Sundurma, çit ve tabliyelerdeki çim ve otların biçilmesi

⚠ UYARI: Cihaz sadece belirtilen kullanım amacı doğrultusunda kullanılmalıdır. Diğer kullanım şekilleri hatalı kullanım olarak kabul edilir.

Her kullanımdan önce hasarlı/aşınmış parça olup olmadığını kontrol edin.

Çim biçme başlığını, koruyucuyu ve ön tutma kolunu kontrol edin ve çatlak, kıvrılmış, eğik veya hasarlı parçaları değiştirin.

Koruyucunun kenarındaki misina kesim bıçağı zamanla körelebilir. Bu bıçağı düzenli olarak bir eğe ile bilemeniz veya yenisiyle değiştirmeniz önerilir.

⚠ UYARI: Korumayı monte ederken veya değiştirirken, bıçağı bilersen veya değiştirirken daima eldiven takın. Koruyucu üzerindeki bıçağa ve elinizin kesilmemesine dikkat edin.

⚠ UYARI: Ciddi kişisel yaralanmaları önlemek için, aksesuarlara bakım-onarım, temizlik yapmadan, aksesuarları değiştirmeden veya cihazdan malzeme çıkarmadan önce pil paketini elektrikli alet başlığından çıkarın.

MİSİNALI ÇİM BİÇME APARATINI ELEKTRİKLİ ALET BAŞLIĞI İLE KULLANMA

⚠ UYARI: Bu cihazı kullanırken yaralanma riskini azaltmak için uygun şekilde giyin. Bol giysiler giymeyin veya takı takmayın. Göz ve kulak/ışıtme koruması takın. Dayanıklı, uzun pantolon, eldiven ve bot giyin. Kısa pantolon, sandalet giymeyin veya çıplak ayakla çalışmayın.

⚠ UYARI: Her kullanımdan önce kesilecek alanı temizleyin. Kesim aparatına takılabilecek veya kesim sırasında fırlatılabilecek taş, kırık cam, çivi, tel veya sicim vb. tüm nesnelere temizleyin. Çocukları, üçüncü şahısları ve evcil hayvanları çalışma alanından uzak tutun. Çocukları, üçüncü şahısları ve evcil hayvanları çalışma alanından en az 15 metre uzak tutun; buna rağmen üçüncü şahısların fırlayan nesnelere yaralanma riski olabilir. Üçüncü şahısların göz koruması kullanmaları önerilir. Çalışırken yanınıza yaklaşan kimselerin olması durumunda derhal motoru ve kesici parçaları durdurun.

Güvenli ve daha iyi çalışma için, omuzunuza omuz askısını takın. Omuz askısını rahat bir çalışma konumuna ayarlayın. Çim biçme makinesini bir elinizle arka tutma sapından ve diğer elinizle ön destek sapından tutarak kullanın. Çalışma sırasında makineyi her iki elinizle sıkıca tutun. Çim biçme makinesi, arka tutma sapı kalça hizasında olacak şekilde rahat bir konumda tutulmalıdır. Çim biçme başlığı, operatörün yere doğru eğilmesine gerek kalmadan, kesilecek malzemeye kolayca temas edecek şekilde, yere paralel olmalıdır (Şek. B).

⚠ UYARI: Omuz askısı ayrıca tehlikeli durumlarda hızla çıkarılabilen bir mekanizmadır. Acil bir durumda, askı hangi şekilde takılı olursa olsun derhal omuzunuzdan çıkarın.

Her kullanımdan sonra, çim biçme aparatını temizleyin.

Temizleme talimatları için BAKIM bölümüne bakın.

ÇİHAZI ÇALIŞTIRMA/DURDURMA

Elektrikli alet başlığı PH1400E'nin kullanım kılavuzundaki "ELEKTRİKLİ ALET BAŞLIĞINI ÇALIŞTIRMA/DURDURMA" bölümüne bakın.

KESİM İPİ UZUNLUĞUNUN AYARLANMASI

Çim biçme makinesi başlığı operatörün motoru durdurmaya gerek kalmadan kesim ipini salmasına olanak sağlar. Misina aşırır veya yıpranırsa, çim biçme makinesi çalışır durumdayken çim biçme başlığını hafifçe yere vurarak biraz daha misina salmak mümkündür (Şek. E).

⚠ UYARI: Kesim misinası kısaltıkça misinanın salınması zorlaşır.

⚠ UYARI: Misinalı kesim bıçağı donanımını çıkarmayın veya değiştirmeyin. Aşırı uzun kesim ipi motorun aşırı ısınmasına neden olabilir ve ciddi kişisel yaralanmaya yol açabilir.

MİSİNANIN DEĞİŞTİRİLMESİ

⚠ UYARI: Daima 2,4 mm'yi aşmayan bir çapa sahip naylon kesim ipi kullanılması önerilir. Belirtilenin dışında kesim ipi kullanımı kesim makinesinin aşırı ısınmasına veya hasar görmesine neden olabilir.

⚠ UYARI: Asla metal takviyeli misina, tel, ip, vb. malzeme kullanmayın. Bunlar koparak tehlikeli biçimde fırlatılabilir.

1. PİL paketini çıkarın
2. Gerekirse, kalan kesim ipini çıkarın. Elinizle çekip almanız yeterlidir.
3. Çim biçme makinesi alüminyum mil uzunluğunun yaklaşık 5 katı olan 4m uzunluğunda misina kesin. Misinayı halka içindeki montaj deliğine yerleştirin (Şek. F). Makaranın her iki tarafında eşit miktarda misina oluncaya kadar misinayı itin ve diğer taraftan çekin.
4. Makara tutucuyu bastırarak ok yönünde çevirin ve her iki tarafa yaklaşık 14 cm misina kalıncaya kadar misinayı makara üzerine sarın (Şek. G).
5. Makara tutucuyu aşağı bastırarak misinaları çekin ve kesim başlığının düzgün monte edildiğini kontrol etmek için manuel olarak iletin.

Kesim misinası çıkış noktasından koştüğünde veya çim biçme başlığına vurulduğunda kesim misinası salınmazsa, aşağıdaki adımları izleyin:

1. PİL takımını çıkarın.
2. Makara tutucu üzerindeki açma tırnaklarına bastırın ve makara tutucuyu çekerek çıkarın (Şek. H ve I).
3. Makara tutucudan misinayı çıkarın.
4. Bir elle makara tabanını tutarken, diğer elle makara tutucuyu kavrayın ve makara tutucu üzerindeki tırnakları makara tabanındaki deliklerle hizalayın (Şek. J); Avuç içinizi kullanarak tırnaklar makara tutucuya kilitlenceye kadar makara tutucuyu bastırın ve sağa sola çevirin (Şek. K).

5. «MİSİNANIN DEĞİŞTİRİLMESİ» bölümündeki talimatları izleyerek tekrar misina yükleyin.

Alet fırçalı kesici olarak kullanılmak istendiğinde biçme kafasını sökmek için Şek. L ve M'de gösterilen adımları takip edin.

BAKIM

⚠ UYARI: Cihazın kontrol, temizlik veya bakımından önce motoru durdurun ve tüm hareketli parçaların durmasını bekleyin, ardından pil takımını çıkarın. Bu talimatlara uyulmaması ciddi kişisel yaralanmalara veya maddi hasara yol açabilir.

UYARI: Bakım ve onarım sırasında birbirini yedek parçaları kullanın. Diğer parçaların kullanılması tehlike oluşturabilir veya ürünün hasar görmesine neden olabilir. Güvenlik ve güvenilirliği sağlamak için, bu bakım kılavuzunda belirtilenler dışındaki tüm onarımlar uzman bir servis teknisyeni tarafından gerçekleştirilmelidir.

GENEL BAKIM

Plastik parçaları temizlerken çözücü maddeler kullanmaktan kaçının. Çoğu plastik malzeme çeşitli ticari çözücü türlerinden etkilenmeye yatkındır ve kullanılmaları durumunda zarar görebilir. Kir, toz, yağ, gres, vb. gidermek için temiz bez kullanın.

CİHAZIN TEMİZLENMESİ

- Motor miline veya çim biçme başlığına dolanmış olabilecek çimleri temizleyin.
- Arka gövde üzerindeki hava deliklerini temizlemek için küçük bir fırça veya küçük elektrikli süpürge kullanın.
- Cihazı nemli bir bez ve yumuşak deterjanla temizleyin.
- Plastik gövde veya tutma sapı üzerinde güçlü deterjanlar kullanmayın. Çam ve limon gibi belirli aromatik yağlar ve kerosen gibi çözücü maddeler bu yüzeylere zarar verebilir. Nem nedeniyle elektrik çarpması tehlikesi oluşabilir. Yumuşak kuru bir bezle nemli yerleri silin.

TRANSMİSYON DİŞLİLERİNİN YAĞLANMASI

Dişli kutusundaki transmisyon dişlileri periyodik olarak dişli gres yağı ile yağlanmalıdır. Dişli kutusunun gres seviyesini her 50 saatlik çalışmada bir kutunun yanındaki sızdırmazlık vidasını sökerek kontrol edin.

Dişli kenarlarında hiçbir gres görülmezse, aşağıdaki adımları izleyerek dişliye 3/4 kapasiteye kadar gres basın. Transmisyon dişlilerini tamamen doldurmayın.

1. Çim biçme makinesini, sızdırmazlık vidası yukarı bakacak şekilde yana yatırın .

2. Verilen çok işlevli anahtar kullanarak sızdırmazlık vidasını gevşetin ve sökün.
3. Vida deliğine az miktarda gres enjekte etmek için bir gres şırıngası (ürüne dahil değildir) kullanın; 3/4'lük kapasiteyi aşmayın.
4. Enjeksiyondan sonra sızdırmazlık vidasını sıkın.

CİHAZIN SAKLANMASI

- Pil takımını çim biçme makinesinden çıkarın.
- Cihazı saklamadan önce tamamen temizleyin.
- Çim biçme aparatı elektrikli alet başlığından çıkarılırsa ve ayrı olarak saklanırsa: Kaplin içerisine pisliklerin girmesini önlemek için uç kapağı aparatın miline takın.
- Cihazı çocukların ulaşamayacağı kuru, iyi havalandırılmış, kilittli veya yüksek bir yerde muhafaza edin. Cihazı gübre, benzin veya diğer kimyasal maddelerin yakınında saklamayın.

Çevre koruması



Elektrikli cihazları, pil şarj cihazını ve pilleri/ şarj edilebilir pilleri evsel atıklarla birlikte atmayın!

AB Yasası 2012/19/EU uyarınca, kullanılamaz durumdaki elektrikli ve elektronik cihazlar ve AB Yasası 2006/66/EC uyarınca, arızalı veya kullanılmış pil paketleri/ piller ayrı olarak toplanmalıdır.

Elektrikli cihazlar katı atık sahaları veya çöp toplama alanlarına atılırsa, yer altı sularına ve besin zincirine tehlikeli maddeler sızabilir, bu da sağlığınızın bozulmasına yol açabilir.

SORUN GİDERME

SORUN	NEDENİ	ÇÖZÜM
Misinalı çim biçme makinesi başlatılmıyor.	<ul style="list-style-type: none"> ■ Pil takımı elektrikli alet başlığına takılı değil. ■ Elektrikli alet başlığı ve pil takımı arasında elektrik teması yok. ■ Pil paketi boş. ■ Kilitleme kolu ve tetiğe aynı anda basılmıyor. 	<ul style="list-style-type: none"> ■ Pil takımını elektrikli alet başlığına takın. ■ Pil takımını çıkarın, temas noktalarını kontrol edin ve yerine oturana kadar pil takımını yeniden takın. ■ Pil takımını bu kılavuzda belirtilen EGO şarj cihazları ile şarj edin. ■ Kilitleme kolunu basılı tutun, ardından tetik düğmesine basarak makineyi çalıştırın.
Misinalı çim biçme makinesi kesim yaparken duruyor.	<ul style="list-style-type: none"> ■ Çim biçme makinesine koruyucu takılmamış, sonuç olarak aşırı uzun kesim ipi ve motorun aşırı ısınması söz konusu. ■ Ağır kesim ipi kullanılıyor. ■ Motor mili veya çim biçme başlığı çimler nedeniyle tutukluk yapıyor. ■ Motor aşırı yüklenmiş. ■ Pil paketi veya misinalı çim biçme makinesi çok sıcak. ■ Pil paketi ile aletin bağlantısı kesilmiş. ■ Pil paketi boş. 	<ul style="list-style-type: none"> ■ Pil paketini çıkarın ve koruyucuyu çim biçme makinesine monte edin. ■ Çapı en fazla 2,4 mm olan naylon kesim misinası kullanmanız önerilir. ■ Çim biçme makinesini durdurun, pili çıkarın ve motor mili ve çim biçme başlığındaki çimleri temizleyin. ■ Çim biçme başlığını çimlerden kaldırın. İş yükü kalkar kalkmaz motor eskisi gibi çalışacaktır. Kesim yaparken, çim biçme başlığını kesilecek çimlerde ileri-geri hareket ettirin ve tek bir kesimde en fazla 20 cm uzunlukta kesim yapın. ■ Pil paketi veya çim biçme makinesinin 67°C' nin altına düşene kadar soğumasını bekleyin. ■ Pil paketini yeniden takın. ■ Pil takımını bu kılavuzda belirtilen EGO şarj cihazları ile şarj edin.

TR

SORUN	NEDENİ	ÇÖZÜM
Çim biçme başlığı misinayı ilerletmiyor.	<ul style="list-style-type: none">Motor mili veya çim biçme başlığı çimler nedeniyle tutukluk yapıyor.Makarada yeterli misina yok.Çim biçme başlığı kirlidir.Misina makara tutucuya dolanmış.Misina çok kısa.	<ul style="list-style-type: none">Çim biçme makinesini durdurun, pili çıkarın ve motor mili ve çim biçme başlığındaki çimleri temizleyin.Pili çıkarın ve bu kılavuzdaki “MİSİNANIN DEĞİŞTİRİLMESİ” bölümünü izleyerek kesim ipini değiştirin.Pili çıkarın ve makarayı, makara tespit pimini ve makara tabanını temizleyin.Pili çıkarın ve bu kılavuzdaki “MİSİNANIN DEĞİŞTİRİLMESİ” bölümünü izleyerek kesim ipini makaradan çıkarın ve yeniden sarın.Pili çıkarın ve çarpma düğmesine basıp bırakarak ipleri çekin.
Çimler, çim biçme başlığının etrafına ve motor gövdesine dolanıyor.	<ul style="list-style-type: none">Uzun çimler zemin seviyesinde kesiliyor.	<ul style="list-style-type: none">Uzun çimleri üstten alta doğru kesin, dolanmayı önlemek için her geçişte en fazla 20 cm kesin.
Uzun çimler zemin seviyesinde kesiliyor.	<ul style="list-style-type: none">Koruyucunun kenarındaki misina kesim bıçağı körelmiş.	<ul style="list-style-type: none">Misina kesim bıçağını bir ege ile bileyin veya yeni bir bıçakla değiştirin.
Çim biçme başlığında çatlaklar mevcut veya makara tutucu makara tabanından gevşemiş.	<ul style="list-style-type: none">Çim biçme başlığı aşınmış.	<ul style="list-style-type: none">Çim biçme makinesinin kafasını hemen değiştirin; bu kılavuzdaki “ÇİM BİÇME KAFASI DEĞİŞİMİ” bölümündeki talimatlara uyun.
Misina değiştirme sırasında, misina çim biçme başlığına düzgün yüklenmiyor.	<ul style="list-style-type: none">Makara tutucunun LOAD çizgileri makara tabanındaki halkalar ile hizalanmamış.Misina, halka içindeki montaj deliğine doğru yerleştirilmemiş.	<ul style="list-style-type: none">Makara tutucu üzerindeki LOAD çizgisini makara tabanındaki halka ile hizalamak için, makara tutucuyu ok yönünde döndürün.Önce LOAD çizgisini halka ile hizalayın, daha sonra misinayı halka içindeki montaj deliğine yerleştirin.

TR

GARANTİ

EGO GARANTİ POLİTİKASI

EGO Garanti politikasına ilişkin tüm hüküm ve koşullar için, lütfen egopowerplus.com adresindeki web sitemizi ziyaret edin.

LUGEGE KÕIKI JUHISEID!



Lugege Kasutusjuhendit

⚠️ Kaasnev risk! Inimesed, kes kasutavad elektroonilisi seadmeid, nt südamestimulaatorit, peaksid enne selle toote kasutamist konsulteerima oma arstiga. Elektriseadmete kasutamine südamestimulaatori läheduses võib põhjustada südamestimulaatori häireid või rikkeid.

⚠️ HOIATUS: Ohutuse ja töökindluse tagamiseks tohivad seda seadet remontida ainult vastava kvalifikatsiooniga hooldustehnikud.

OHUTUSSÜMBOLID

Ohutussümbolite eesmärk on tõmmata teie tähelepanu võimalikele ohtudele. Ohutussümbolitele ja nende juures olevatele seletustele tuleb korralikult tähelepanu pöörata ja need endale selgeks teha. Ohutussümbolid iseenesest ei kõrvalda ohu olemasolu. Nendega kaasnevad juhendid ja hoiatused ei asenda korralikke õnnetuste vältimise meetmeid.

⚠️ HOIATUS: Enne käesoleva tööriista kasutamist lugege kindlasti läbi ja tehke endale selgeks kõik Kasutusjuhendis toodud ohutusjuhised, sh kõik ohutussümbolid nagu „OHT,” „HOIATUS,” ja „ETTEVAATUST”. Kui kõiki allpool loetletud juhiseid ei järgita, võib tagajärjeks olla elektrilöök, tulekahju ja/või tõsised isikuvigastused.

SÜMBOLITE TÄHENDUSED

⚠️ TURVATEATE SÜMBOL Sümbolite OHT, HOIATUS või ETTEVAATUST võidakse kasutada koos teiste sümbolite või piiltidega.









⚠️ HOIATUS: Mis tahes elektriliste tööriistade kasutamine võib põhjustada võõrkehade paiskumist silma, mis võib põhjustada tõsiselt silmakahjustusi. Kandke elektriliste tööriistade kasutamise ajal alati külgakaitsetega kaitseprille ja vajadusel täielikku näokaitset. Soovitame kanda prillide peal laia vaatealaga kaitsemaski või tavalisi külgakaitsetega kaitseprille.

OHUTUSJUHISED

Sel lehel on kujutatud ja kirjeldatud ohutussümbolite, mida võib käesolevalt tootelt leida. Enne seadme kokkupanemist ja kasutamist lugege, tehke omale selgeks ja järgige kõiki juhiseid.

	Ohutus-teade	Viitab võimalikule kehavigastuste ohule.
	Lugege kasutusjuhendit	Vigastuste ohu vähendamiseks peab kasutaja enne toote kasutamist lugema kasutusjuhendit ja selle endale selgeks tegema.
	Kandke kaitseprille	Kandke selle toote kasutamise ajal alati kaitseprille või külgakaitsetega kaitseprille ja täielikku näokaitset.
	Kasutage kõrvade kaitsevahendeid	Kasutage alati oma kuulmise kaitseks müratõkkeid (kõrvatrope või kõrvakatteid).
	Kandke tugevat peakatet	Pea kaitsmiseks kandke nõuetekohast tugevast materjalist peakatet.
	Kandke töökindaid	Tera või tera kaitse käsitsemisel kandke käte kaitsmiseks kindaid. Tugevad ja mittelibisevast materjalist kindad tugevdavad haaret ja kaitsevad käsi.
	Kandke ohutusjalatseid.	Seda seadet kasutades kandke mittelibiseva tallaga ohutusjalatseid.
	Lõikelaius	Murutrimmeri maksimaalne lõikeulatus
	Jõhvi diameeter	Nailonist lõikejõhvi diameeter
	Ümarad terad ei sobi	Ärge paigaldage ümaraid lõiketerasid.

ET

	Ärge laske kellelgi töö ajal enda lähedal seista	Trimmeriga töötamise ajal ei tohi 15m raadiuses olla loomi ega teisi inimesi,
	Ärge laske kellelgi töö ajal enda lähedal seista	Trimmeriga töötamise ajal ei tohi 15m raadiuses olla loomi ega teisi inimesi,
	Vältige seadme kokkupuudet vihmaga	Ärge kasutage seadet vihmajärgel ja ärge jätke seadet vihma kätte.
	CE	Toode vastab rakendatavatele EÜ direktiividele.
	WEEE	Elektriseadmete jäätmeid ei tohi visata olmejäätmetesse. Viige heaks kiidetud taaskäitleja juurde.
	Müra	Garanteeritud helivõimsuse tase. Seadme müra keskkonnas on Euroopa Ühenduse direktiiviga vastavuses.
V	Volti	Pinge
mm	Millimeeter	Pikkus või suurus
cm	Sentimeeter	Pikkus või suurus
kg	Kilogramm	Kaal

ÜLDISED ELEKTRITÖÖRIISTADE HOIATUSED

ET **⚠ HOIATUS:** Lugege läbi kõik elektritööriistaga kaasas olevad hoiatused, juhised, joonised ja andmed. Alltoodud juhiste eiramine võib põhjustada elektrilööki, tulekahju ja/või tõsiseid vigastusi.

Säilitage hoiatused ja juhised hilisemaks kasutuseks.

Hoiatuses kasutatud termin "elektritööriist" viitab voolu jõul (juhtmega) töötavale elektrilisele tööriistale või aku jõul töötavale (juhtmeta) elektrilisele tööriistale.

TÖÖPIIRKONNA OHUTUS

- Tööpiirkond peab olema puhas ja hästi valgustatud. Segadus või valgustamata tööpiirkonnad suurendavad õnnetuste tõenäosust.

- Ärge kasutage elektritööriistu plahvatusohtlikes keskkondades, näiteks kergesti süttivate vedelike, gaaside või tolmu läheduses. Elektritööriistad tekitavad sädemeid, mis võivad süüdata tolmu või aurusid.
- Elektritööriistadega töötamisel hoidke lapsed ja kõrvalseisjad eemal. Tähelepanu hajumine võib põhjustada seadme üle kontrolli kaotamise.

ISIKLIK OHUTUS

- **Olge tähelepanelik, töötage hoolikalt ja kasutage tervet mõistust. Ärge kasutage elektritööriista, kui olete väsinud, või rohtude, alkoholi või narkootikumide mõju all.** Vaid hetkeline tähelepanematus elektritööriista kasutamisel võib põhjustada raskeid kehavigastusi.
- **Kasutage isikukaitsevahendeid. Kandke alati silmakaitsevahendeid.** Töötingimustele vastava kaitsevarustuse (nt tolmu maski, mittelbisevate turvakingade, tugeva peakatte või kuulmiskaitsete) kasutamine vähendab kehavigastuste ohtu.
- **Vältige tööriista juhuslikku käivitumist. Veenduge, et lüliti on mitteaktiivses asendis, enne tööriista vooluvõrgu või akuplokiga ühendamist ning enne tööriista kandmist või üles tõstmist.** Elektritööriistade kandmine sõrme lüliti hoides või aktiivses olekus lülitiga põhjustab õnnetusi.
- **Enne tööriista sisselülitamist eemaldage sellelt reguleerimis- ja nutrivõtmed.** Elektritööriista pöörleva osa külge unustatud võtmed vms tööriistad võivad põhjustada kehavigastusi.
- **Ärge küünitage liiga kaugemale. Töötage ainult kindlal maapinnal ja kohtades, kus pole ohtu tasakaalu kaotada.** Nii säilitate ootamatutes olukordades elektritööriista üle parema kontrolli.
- **Riietuge asjakohaselt. Ärge kandke ehteid ega avaraid riideid. Vältige oma juuste, riiete ja kinnaste kokkupuudet liikuvate osadega.** Liiga avarad riided, ehted ja pikad juuksed võivad liikuvate osade vahele kinni jääda.
- **Kui tootega on kaasas vahendid tolmu- ja väljavõtuseadmete ühendamiseks, veenduge, et need seadmed on korralikult ühendatud ja korrektses kasutuses.** Tolmukogumisseadmete kasutamine vähendab tolmu seotud ohtusid.
- **Kui seade on teile sagedase kasutamise tulemusel harjumuspäraseks saanud, ärge laske ennast lödvaks ega ignoreerige tööriista kasutamise ohutusreegleid.** Hooletuse tõttu võite saada tõsiseid vigastusi ka sekundi murdosa jooksul.

AKUSEADMETE KASUTAMINE JA HOOLDUS

- **Ärge rakendage elektritööriista kasutamisel jõudu. Kasutage konkreetseks tööks sobivat elektritööriista.** Sobiva elektritööriistaga sobival kiirusel

töötades saate töö valmis kiiresti ja ohutult.

- **Ärge kasutage tööriista, mida ei saa lülitist sisse ja välja lülitada.** Elektrilised tööriistad, mille lüliti ei tööta, on ohtlikud ja tuleb parandada.
- **Tööriistu, mida te hetkel ei kasuta, hoidke lastele kättesaamatus kohas ning ärge lubage nendega töötada isikutel, kes pole tööriistade tööpõhimõtete või käesoleva juhendiga tutvunud.** Koolitamata isikute käes on elektrilised tööriistad ohtlikud.
- **Hooldage nii elektritööriistu kui tarvikuid.** Kontrollige, et komponendid on korrektselt joondatud ja ükski osa ei ole paindunud ning jälgige ka muid aspekte, mis võiksid tööriista omadusi mõjutada. Kahjustuste leidmisel laske tööriist enne järgmist kasutust remontida. Halvasti hooldatud tööriistad põhjustavad palju õnnetusi.
- **Hoidke oma tööriistu teravate ja puhasena.** Korralikult hooldatud ja teravate servadega lõikeservad ei paindu nii kergesti ja on lihtsamini juhitavad.
- **Kasutage tööriista, selle tarvikuid, tööriistaosi jm vastavalt käesolevale juhendile, võttes arvesse töötingimusi ja teostatavat tööd.** Tööriista mitte-eesmärgipärane kasutamine võib põhjustada ohtlikke olukordi.
- **Hoidke haardepind ja käepidemed kuivad, puhtad ja vältige õli ja rasva sattumist seadmele.** Libedad käepidemed ja haardepinnad takistavad seadme ohutut kasutamist ja käsitsemist ootamatutes olukordades.
- **Hoidke juhtmed seadme tööpiirkonnast eemale.** Töö ajal võivad juhtmed varjatud olla ning te võite neid seadmega kogemata kahjustada.

AKUSEADMETE KASUTAMINE JA HOOLDUS

- **Kasutage laadimiseks ainult tootja poolt ette nähtud laadijaid.** Akulaadija, mis sobib teatud tüüpi akuplokkide, võib põhjustada tulekahju ohtu, kui seda kasutada mõne teise akuplokkiga.
- **Kasutage elektrilisi tööriistu ainult nende jaoks ette nähtud akuplokkidega.** Mõne muu akuplokki kasutamine võib põhjustada vigastuste ja tulekahju ohtu.
- **Kui akut ei kasutata, hoidke seda eemal muudest metallesemetest nagu kirjaklambritest, müntidest, võtmetest, naeltest, kruvidest ja muudest väikestest metallesemetest, mis võivad klemmide vahel ühenduse luua.** Aku klemmide lühiühendus võib põhjustada põletushaavu ja tulekahju ohtu.
- **Valedes tingimustes kasutamisel võib akust vedelikku välja tulla; vältige kokkupuudet sellega.** Kokkupuute tekkimisel loputage veega. Kui vedelik satub silma, pöörduge lisaks ka arsti poole. Akust väljuv vedelik võib põhjustada ärritust või põletusi.

- **Ärge kasutage kahjustunud või modifitseeritud akuplokki või tööriista.** Kahjustunud või modifitseeritud akut võivad toimida ettearvamatu, mille tagajärjeks võivad olla tulekahju, plahvatus või vigastuste oht.
- **Vältige akuploki või tööriista kokkupuudet tule või liiga kõrge temperatuuriga.** Kokkupuude lahtise tule või temperatuuriga üle 100 °C võib põhjustada plahvatuse.
- **Järgige kõiki laadimisjuhiseid ja ärge laadige akuplokki või tööriista vale temperatuuri juures (vt. juhised).** Valesi või valel temperatuuril laadimine võib kahjustada akut ja suurendada tulekahju ohtu.

HOOLDUS

- **Laske oma akutööriista hooldada kvalifitseeritud remonditehnikul, kes kasutab ainult identseid originaalvaruosi.** See tagab akuploki ohutuse säilimise.
- **Ärge kunagi hooldage kahjustunud akuplokke.** Akuplokkide hooldust võib teostada ainult tootja või volitatud teeninduskeskus.

⚠ HOIATUS! Lugege läbi kõik elektritööriista kaasas olevad hoiatused, juhised, joonised ja andmed. Alltoodud juhiste eiramine võib põhjustada elektrilööki, tulekahju ja/või tõsisid vigastusi. Säilitage hoiatused ja juhised hilisemaks kasutuseks.

Säilitage hoiatused ja juhised hilisemaks kasutuseks.

KOOLITUS

- Lugege juhend hoolikalt läbi. Tutvuge juhtseadmetega ja seadme korrektse kasutamise põhimõtetelega.
- Ärge lubage seadet kasutada inimestel, kes pole tutvunud käesoleva juhendiga, ega lastel. Kohalikud seadused võivad seada seadme kasutajatele vanusepiiranguid.
- Pidage meeles, et seadme kasutaja vastutab teiste inimeste või nende varaga juhtvate õnnetuste eest.

ETTEVALMISTUS

- Ärge kasutage seadet teiste inimeste, eriti laste või loomade läheduses.
- Töö ajal kasutage alati silmade kaitsevahendeid ja tugevaid jalarõusid.
- Vahemaa seadme ja kõrvaliste isikute vahel peab olema vähemalt 15m.
- Seadet ei tohi kasutada, kui selle kasutaja on väsinud, haige või alkoholi või teiste ainete/ravimite mõju all.

ET

SEADME KASUTAMINE

- Kasutage seadet ainult päevasel ajal või hea kunstliku valgustusega.
- Ärge kasutage seadet, mille kaitsepiirded või -katted on kahjustatud või puuduvad.
- Mootori sisselülitamisel hoidke käed ja jalad lõikedetailidest eemal.
- Ühendage seade alati toiteallikast lahti (st. eemaldage akuplokk):
 - kui jätate selle järelevalveta.
 - enne ummistuse eemaldamist;
 - enne seadme kontrollimist, puhastamist või seadistamist;
 - pärast võõrkehaga pörkimist;
 - kui seade hakkab ebanormaalselt vibreerima.
- Jälgi, et lõikeseadmed ei vigastaks teie käsi või jalgu.
- Jälgi, et ventilatsioonivad oleksid kogu aeg puhtad.

HOOLDUS JA HOIUSTAMINE

- Enne hooldus- või puhastustoimingute alustamist eemaldage seade toiteallikast (s.t eemaldage akuplokk).
- Kasutage ainult tootja soovitatud varuosi ja tarvikuid.
- Kontrollige ja hooldage seadet regulaarselt. Laske seadet remontida ainult volitatud remonditökojas.
- Kui seadet ei kasutata, hoidke seda lastele kättesaamatus kohas.

MUUD OHUTUSHOVIATUSED

- Vältige ohtlikke keskkondi – ärge kasutage seadmeid niisketel või märgadel kallakutel.
- Hoidke piirded omal kohal ja töökorras.
- Hoidke käed ja jalad tööpiirkonnast eemal.
- Vigastuste esinemise ohu vähendamiseks ärge kunagi kasutage seda seadet, kui seisate redelil või muul ebakindlal pinnal. Ärge kunagi hoidke lõiketarvikut vöökohast kõrgemal.
- Kontrollige lõiketarviku seisukorda töötamise ajal regulaarselt ja sagedasti või koheselt kui ilmneb märgatav muutus lõikeseadmete töös.
- Parimate tulemuste saavutamiseks tuleks laadida akut keskkonnas, mille temperatuur jääb vahemikku 5° C kuni 40° C. Ärge hoiustage akut välitingimustes või sõidukites.
- Kui keegi teile läheneb, seisake mootor ja lõiketarvik koheselt.

ET

- Hoiatage seadmega töötavat inimest tera tagasilöögi ohu eest (ainult 3-teralise lõiketera kasutamisel).
 - Tera tagasilöök võib esineda siis, kui pöörlev lõiketera puutub kokku esemega, mida see kohe läbi ei löika.
 - Tera tagasilöök võib olla piisavalt tugev, et tööriista ja/või sellega töötavat isikut suvalises suunas paisata ning võib juhtuda, et töötaja kaotab seadme üle kontrolli.
 - Tera tagasilöök võib tekkida ootamatult, kui tera puruneb, seiskub või paindub.
 - Tera tagasilöögi esinemine on tõenäolisem piirkondades, kus lõigatavat materjali on raske näha.
- Ärge paigaldage seadme külge ühtegi tera ilma kõigi nõutavate osadeta. Õigete osade kasutamata jätmise korral võib tera seadme küljest minema paiskuda ning sellega töötavat isikut ja/või kõrvalisi isikuid tõsiselt vigastada. Visake ära kõik paindunud, kõverdunud, pragunenud, katkised või muul moel kahjustunud terad. Kasutage teravaid lõiketerasid. Nüri lõiketera võib kergemini puruneda või tagasilööki anda (ainult 3-teralise lõiketera kasutamisel).
- Tühikäigul pöörlev tera võib tekitada vigastusi, sest see jätkab pöörlemist ka siis, kui mootor on peatunud ja päästik vabastatud. Säilitage kontroll seadme üle kuni tera on pöörlemise täielikult lõpetanud.
- Akuga töötavaid tööriistu pole vaja vooluvõrku ühendada, seega on nad alati töörežiimis. Olge teadlik võimalikest ohtudest ka ajal, mil tööriist pole sisse lülitatud. Seadme hooldamise või remontimise ajal olge ettevaatlik.
- Ärge peske seadet vooliku abil, vältige vee sattumist mootoris ja elektriühenduste peale.
- Kui esineb olukordi, mida pole käesolevas juhendis kirjeldatud käituge hoolsalt ja lähtuge tervest mõistusest. Küsige abi EGO hoolduskeskusest.
- Kasutage ainult joonisel A esitatud akuplokke ja laadijaid.

HOIDKE SEE KASUTUSJUHEND ALLES!

SPETSIFIKATSIOONID

Lõikemehhanism	Muhuga pea
Jõhvi diameeter	2,4 mm nailonist jõhv (keerumusega)
Lõikelaius	38 cm
Tühikäigu kiirus	5000/6000 min ⁻¹
Mass (ilma akuplokita)	1,59 kg
Soovituslik töökeskkonna temperatuur	0°C-40°C

Soovituslik hoiustamise temperatuur	-20°C-70°C	
Mõõdetud helirõhu tase L_{WA}	94,6 dB(A) K=1,80 dB(A)	
Helirõhk seadme operaatori kõrva juures L_{PA}	83,2 dB(A) K=3 dB(A)	
Garanteeritud helirõhk L_{WA} (mõõdetud vastavalt 2000/14/EN)	96 dB(A)	
Vibratsioon a_n	Eesmine abikäepide	1,1 m/s ² K=1,5 m/s ²
	Tagumine käepide	1,4 m/s ² K=1,5 m/s ²

- Ülaltoodud näitajaid on testitud ja mõõdetud kasutades toitepead PH1400E.
- Ametlik vibratsioonitaseme näit on mõõdetud standardsete testmeetodite kohaselt ja seda võidakse kasutada erinevate tööriistade võrdlemiseks.
- Ametlikku vibratsioonitaseme näitu võib kasutada ka alge kokkupuutehinnangu andmiseks.

MÄRKUS: Tegelikul kasutamisel tekib vibratsioonitase või ametlikult märgitust erineva; turvalisuse eesmärgil peaks seadme kasutaja kandma kindaid ja kuulmiskaitsemeid.

PAKENDI LOEND

OSA NIMI	KOGUS
Murutrimmeri tarvik	1
Piire	1
Kuuskantvõti	1
Mitmeotstarbeline mutrivõti	1
Kasutusjuhend	1

Seadme jaoks mõeldud jõhvi kohta info saamiseks külastage veebilehte egopowerplus.com või lugege EGO tootekataloogi.

KIRJELDUS

TUNNE OMA MURUTRIMMERI TARVIKUT (joon. A)

1. Otsakork
2. Murutrimmeri vars
3. Lõikejõhv
4. Muhuga pea (lõikepea)
5. Vabastusnupp

6. Lõiketera
7. Piire
8. Kuuskantvõti
9. Mitmeotstarbeline mutrivõti

⚠ HOIATUS Ärge kasutage tööriista, mille turvapiire pole korrektselt paigaldatud. Kasutaja turvalisuse huvides peab piire kogu aeg kinnitatud olema.

SEADE

⚠ HOIATUS: Kui mõni osa on kahjustatud või puudub, ärge kasutage seadet enne kui see osa on parandatud. Kasutades kahjustatud või vajalike komponentideta seadet, võite saada raskeid vigastusi.

⚠ HOIATUS: Toote kokkupanemise, kohandamise, puhastamise või mittekasutamise ajaks tuleb akuplokk alati eemaldada.

⚠ HOIATUS Ärge ühendage toitepead enne, kui seade on koos. Juhiste eiramine võib kaasa tuua juhusliku käivitumise ja tõsise vigastuse.

PIIRDE PAIGALDAMINE

⚠ HOIATUS Piirde paigaldamise või vahetamise ajal kasutage alati kindaid. Olge piirdele oleva teraga ettevaatlik ja kaitske oma käsi vigastuste eest.

Kravige lahti kaks võlli aluse (joon. C) küljes olevat kruvi, joondage aluse kinnitusaugud kaitsedetaili aukudega ja kinnitage kaitsedetail aluse külge kahe kruvi ja kahe seibiga (joon. D)

Veenduge, et kaitsedetail on kinnitatud vastavalt joonistele C ja D antud juhiste. Juhiste mittejärgimine tekitab väga ohtliku olukorra!

MURUTRIMMERI TARVIKU ÜHENDAMINE TOITEPEAGA

See murutrimmeri tarvik on mõeldud kasutamiseks koos EGO toitepeaga PH1400E.

Vaadake toitepea PH1400E kasutusjuhendi osa „TARVIKU PAIGALDAMINE TOITEPEALE“.

KASUTAMINE

⚠ HOIATUS: Ärge muutuge toodet tundma õppides hooletuks. Pidage meeles, et raskeid vigastusi põhjustavaks õnnetuseks piisab ka sekundi murdosa pikkusest tähelepanematusast.

⚠ HOIATUS Kasutage alati nägemis- ja kuulmiskaitsevahendeid. Vastasel juhul võivad esemed silma lenduda ja tekitada silma- või teisi tõsisemaid kahjustusi.

ET

RAKENDUSED

Seadet tohib kasutada allpool loetletud eesmärkidel.

- Muru ja umbrohu eemaldamine välistrepi, aia ja veranda ümber

MÄRKUS Seadet tohib kasutada vaid käesolevas juhendis toodud eesmärgil. Igasugust muud kasutust loetakse väärkasutuseks.

Enne iga kasutuskorda kontrollige ega seadme osad kulunud või kahjustatud pole.

Kontrollige trimmeri pead, piiret ja eesmist abikäepidid ning vahetage välja mõranenud, väändunud, paindunud või muul moel kahjustatud komponendid.

Piirde jõhvi lõikav äär võib aja jooksul kuluda. Soovitav on seda aeg-ajalt viiliga teritada või nürinemise korral uue vastu vahetada.

⚠ HOIATUS Piirde paigaldamise või vahetamise ning tera teritamise või vahetamise ajal kasutage alati kindaid. Jälgige tera paiknemist ja olge ettevaatlik, et te ei vigastaks oma käsi.

⚠ HOIATUS Raskete vigastuste vältimiseks eemaldage alati aku toitepeast, enne kui asute seadet remontima, puhastama, lisaseadmeid vahetama või kinni jäänud objektide eemaldama.

TOITEPEAGA MURUTRIMMERI KASUTAMINE

⚠ HOIATUS Kandke sobivat riietust, et vältida trimmeri kasutamise käigus vigastuste teket. Ärge kandke ehteid ega avaraid riideid. Kandke nägemis- ja kuulmiskaitsevahendeid. Kandke tugevast materjalist pikki pükse, saapaid ja kindaid. Ärge kandke trimmeriga töötades lühikesi pükse või sandaale ja ärge töötage paljajalu.

⚠ HOIATUS Enne töö alustamist puhastage tööpiirkond võõrkehadest. Eemaldage tööpinna kõik objektid, näiteks kivid, klaasikillud, naelad, juhtmed ja nõõrid, mis võivad õhku paiskuda või lõikeseadme sisse kinni jääda. Jälgige, et tööpiirkonnas poleks lapsi, kõrvalisi isikuid ega loomi. Lapsed, kõrvalised isikud ja loomad peavad olema vähemalt 15 meetri kaugusel; ka selle tingimuse täidetuse korral säilib kõrvalistele isikutele mõningane oht. Soovitage kõrvalistel isikutel kasutada kaitseprille. Kui keegi tule läheneb, seisake mootor ja lõikeseade koheselt.

Turvalisema ja parema kasutamise jaoks pange õlarihm üle õla. Kohandage õlarihma nii, et teil on mugav töötada. Hoidke murutrimmerit ühe käega tagumisest ja teise käega eesmisest käepidemest. Hoidke kasutamisel mõlema käega tugevalt kinni. Murutrimmerit peab hoidma mugavas asendis, tagumine käepide umbes puusa kõrgusel. Trimmeri pea peab olema maaga paralleelselt,

et see puutuks lõigatava materjaliga kokku, ilma et kasutaja peaks küürutama (vt joon. B).

⚠ HOIATUS Õlarihmal on ka mehhanism kiireks rihma avamiseks ohtlikes olukordades. Ohtlikus olukorras võtke see kohe õlalt ära olenemata rihma asendist.

Puhastage trimmerit pärast iga kasutuskorda

Puhastamisjuhiseid vaadake osast HOOLDUS.

SEADME KÄIVITAMINE/PEATAMINE

Vaadake toitepea PH1400E kasutusjuhendi osa „TOITEPEA KÄIVITAMINE/PEATAMINE“.

LÕIKEJÕHVI KÕRGUSE KOHANDAMINE

Trimmeri pea abil saab kasutaja jõhvi pikendada seadet seiskamata. Kui jõhv läheb katki või kulub, puudutage jõhvi pikendamiseks lõikepeaga kergelt maad ilma trimmerit seiskamata (vt joon. E).

MÄRKUS Lõikejõhvi vabastamine muutub jõhvi lühenedes järjest raskemaks.

⚠ HOIATUS Ärge eemaldage ega kohandage jõhvi lõiketera. Liiga pikk jõhv põhjustab mootori ülekuumenemist, mis omakorda suurendab raskete vigastuste ohtu.

JÕHVI VAHETAMINE

MÄRKUS Kasutage alati seadme jaoks mõeldud nailonist jõhvi, mille diameeter ei ületa 2,4 mm. Muu jõhvi peale kindlaks määratud jõhvi kasutamine võib kaasa tuua trimmeri ülekuumenemise või kahjustumise.

⚠ HOIATUS Ärge kasutage metallse tugevdusega nõõri, traati, köit vmt. Need võivad murduda ning õhku tõustes ohtlikuks muutuda.

1. Eemaldage akuplokk
2. Vajadusel eemaldage ülejäänud jõhv. Lihtsalt tõmmake see käsitsi välja.
3. Lõigake 4-meetrine jõhv. Sisestage jõhv läbi augukese paigaldusauku (vt joon. F). Lükake ja tõmmake jõhvi teiselt poolt kuni mõlemal pool pooli on sama palju jõhvi.
4. Suruge samal ajal, kui te poolihoidikut noole suunas keerate, et pool jõhviga täita, kuni umbes 14 cm jõhvi on näha mõlemalt poolt välja tulemas (vt joon. G).
5. Vajutage poolihoidik alla samal ajal jõhve tõmmates, et neid käsitsi edasi liigutada ja kontrollida, kas trimmeri pea on korralikult kokku pandud.

Kui jõhv läheb katki avadest, kust jõhv välja tuleb, või kui jõhv ei tule trimmeri pea vastu koputades välja, siis tehke järgmist.

1. Eemaldage akuplokk.

2. Vajutage poolihoidiku vabastussakkidele ja eemaldage poolihoidik, tõmmates see otse välja (vt joon. H ja I).
3. Eemaldage jõhv poolihoidikust.
4. Hoides ühe käe pooli alusel võta teise käega poolihoidikut kinni ja joonda poolihoidiku vabastussakid aukudega pooli alusel (vt joon. J); vajuta käelabaga poolihoidik alla ning keera seda vasakule ja paremale kuni vabastussakid lukustuvad pooli alusesse (vt joon. K).
5. Uue jõhvi lisamiseks järgi juhiseid osas „JÕHVI VAHETAMINE“.

Kui tööriist on mõeldud kasutamiseks võsalõikurina, järgige trimmeripea lahtivõtmiseks joonistel L & M esitatud samme.

HOOLDUS

⚠ HOIATUS Enne seadme kontrolli, puhastamist või hooldust tuleb mootor peatada ja oodata kõigi liikuvate osade peatumist ja eemaldada akupakk. Juhiste mittejärgimine võib kaasa tuua tõsise vigastuse või varalise kahju.

⚠ HOIATUS Remontimisel kasutage vaid originaalvaruosi. Mis tahes muude osade kasutamine võib põhjustada ohtlikke olukordi või seadet vigastada. Kõik parandused, peale nende, mis on nendes hooldusjuhistes kirjas, peab tegema kvalifitseeritud hooldustehnik.

ÜLDINE HOOLDUS

Vältige plastosade puhastamisel lahustite kasutamist. Enamik plastmasse on kaubanduslike lahustite suhtes tundlikud ja võivad nende kasutamisel kahjustada saada. Kasutage mustuse, tolm, õli, rasva jm eemaldamiseks puhast lappi.

SEADME PUHASTAMINE

- Eemaldage muru, mis on mootorivõlli või trimmeri pea külge kinni jäänud.
- Tagumise korpuse õhutusavade puhastamiseks kasutage väikest harja või väikest tolmuimejat.
- Puhastage seade, kasutades õrna puhastusvahendiga immutatud niisket lappi.
- Ärge kasutage plastmasskomponentide või käepideme puhastamiseks tugevatoimelisi puhastusaineid. Seadme osi võivad kahjustada teatud aroomaatsed õlid (nt männi- või sidruniõli) ja teatud ained (nt petrooleum). Niiskus võib tekitada elektrilöögi ohu. Eemaldage niiskus pehme kuiva lapiga.

ÜLEKANDEHAMMASRATASTE MÄÄRIMINE

Ülekandehammasrattaid peab määrima korrapäraselt hammasrattaste määrdega. Kontrollige määrde taset hammasrattaste ümbrises iga kord, kui olete 50 tundi toodet kasutanud, võttes ära tihenduskrivi ühelt ümbrise küljelt.

Kui määret ei ole hammasrattaste hambavahedest näha, jälgi all olevaid juhiseid, et 3/4 mahust määrdega täita.

Ärge ülekandehammasrattaid määrdega täiesti täitke.

1. Pange murutrimmer küljele, et tihenduskrivi jääks üles poole .
2. Kasutage kaasas olnud mitmetoostarbelist mutrivõtit, et tihenduskrivi avada ja eemaldada.
3. Kasutage süstalt (ei ole kaasas), et natuke määret krivi auku pritsida, ja jälgige, et te ei ületa 3/4 mahust.
4. Keerake tihenduskrivi peale pritsimist tugevalt kinni.

SEADME HOIUSTAMINE

- Ühendage akuplokk trimmerist lahti.
- Enne tööriista hoiustamist puhastage see hoolikalt.
- Kui murutrimmeri tarvik on toitepeast eemaldatud ja seda hoiustatakse eraldi. Paigaldage otsakork tarviku varre külge, et mustus ei pääseks ühendusdetaili.
- Hoidke tööriista kuivas ja kõrges lukustatud ning lastele ligipääsmatus kohas. Ärge hoidke seadet väetiste, bensini või muude kemikaalide läheduses.

Keskkonnakaitse



Ärge visake elektriseadmeid, akulaadijat ega patareisisid / akusid olmeprügi hulka!

Vastavalt Euroopa Liidu eriaruandele nr 2012/19/EÜ tuleb elektri- ja elektroonikaseadmed, mis pole enam kasutatavad, ning, vastavalt direktiivile 2006/66/EÜ, ka defektsed või kasutatud akuplokkid / patareid, eraldi kokku koguda.

Kui elektriseadmed maetakse maa sisse või viiakse prügmäele, võivad ohtlikud ained põhjavette lekkida ja toiduahelasse sattuda ning kahjustada teie tervist ja heaolu.

ET

TÕRKEOTSING

PROBLEEM	PÕHJUS	LAHENDUS
Jõhvtrimmer ei käivitu.	<ul style="list-style-type: none"> ■ Akuplokk pole toitepeaga ühendatud. ■ Toitepea ja akuploki vahel puudub elektriline ühendus. ■ Akuplokk on tühi. ■ Lukustushooba ja päästikut ei vajutatud samaaegselt. 	<ul style="list-style-type: none"> ■ Kinnitage akuplokk toitepea külge. ■ Eemaldage aku, kontrollige kontakte ja paigaldage akuplokk uuesti oma kohale nii, et kõlab plöksatus. ■ Laadige akuplokki mõne selles kasutusjuhendis nimetatud EGO laadijaga. ■ Jõhvtrimmeri sisse lülitamiseks vajutage lukustushooba ja hoidke seda all ning suruge päästik alla.
Jõhvtrimmer seisub niitmise ajal.	<ul style="list-style-type: none"> ■ Piire pole trimmeri külge kinnitatud, mistõttu on jõhv liiga pikaks läinud ja mootor üle koormatud. ■ Kasutatakse rasket jõhvi. ■ Muru on ummistanud mootori võlli või trimmeri pea. ■ Mootor on ülekoormatud ■ Akuplokk või jõhvtrimmer on liiga kuum. ■ Akuplokk on tööriista küljest lahti ühendatud. ■ Akuplokk on tühi. 	<ul style="list-style-type: none"> ■ Eemaldage akuplokk ja kinnitage piire trimmeri külge. ■ Kasutage seadme jaoks mõeldud nailonist jõhvi, mille diameeter pole suurem kui 2,4 mm. ■ Seisake trimmer, ühendage aku lahti ja eemaldage mootori võlli ja trimmeripea ümber kogunenud muru. ■ Tõstke trimmeri pea muru seest välja. Mootor hakkab uuesti tööle kohe, kui takistus on eemaldatud. Niitmise ajal liigutage trimmeri pead niidetava muru sisse ja sealt välja ning ärge lõigake korraga rohkem kui 20 mm muru. ■ Jahutage akuplokki või trimmerit, kuni temperatuur langeb alla 67°C . ■ Paigaldage akuplokk tagasi. ■ Laadige akuplokki mõne selles kasutusjuhendis nimetatud EGO laadijaga.

ET

PROBLEEM	PÕHJUS	LAHENDUS
Trimmeri pea ei anna lisajõhvi välja.	<ul style="list-style-type: none"> Muru on ummistanud mootori võlli või trimmeri pea. Pooli ümber pole piisavalt jõhvi. Trimmeri pea on määrdunud. Jõhv on pooli ümber sõlme läinud. Jõhv on liiga lühike. 	<ul style="list-style-type: none"> Seisake trimmer, ühendage aku lahti ja eemaldage mootori võlli ja trimmeripea ümber kogunenud muru. Eemaldage aku ja vahetage jõhv, järgides käesoleva juhendi alapunktis "JÕHVI VAHETAMINE" antud juhiseid. Eemaldage aku ja puhastage pool ning pooli pesa ja alus. Eemaldage aku ning kerige jõhv pooli pealt maha ja tagasi, järgides käesoleva juhendi alapunktis "JÕHVI VAHETAMINE" antud juhiseid. Eemaldage aku ja tõmmake jõhvi, ning vajutage samaaegselt mitu korda lõikepea muhu peale.
Muru keerdub ümber trimmeri pea ja mootori korpuse.	<ul style="list-style-type: none"> Kõrget muru lõigatakse maapinna lähedal. 	<ul style="list-style-type: none"> Alustage kõrge muru lõikamist ülevalt ja keerdumise vältimiseks eemaldage korraka kuni 20 cm.
Tera ei lõika jõhvi.	<ul style="list-style-type: none"> Piirde jõhvi lõikav äär on kulunud. 	<ul style="list-style-type: none"> Teritage jõhvi lõikavat äärt või vahetage see uue vastu.
Praad trimmeri lõikepeal või pooli hoidik tuleb koos pooli alusega lahti.	<ul style="list-style-type: none"> Trimmeri lõikepea on kulunud. 	<ul style="list-style-type: none"> Vahetage trimmeripea kohe välja, järgides juhiseid selle kasutusjuhendi osas "TRIMMERIPEA VAHETAMINE".
Jõhvi asendamisel ei õnnestu jõhvi õigesti trimmeri lõikepeasse paigaldada.	<ul style="list-style-type: none"> LOAD kriipsud pooli hoidikul ei ole kohakuti augukestega pooli alusel. Pöörake pooli hoidikut noole suunas, et viia LOAD kriips pooli hoidikul kohakuti augukestega pooli alusel. 	<ul style="list-style-type: none"> Jõhv ei ole korralikult augukeses olevasse paigaldusavasse sisestatud. Viige esmalt LOAD kriipsud augukestega kohakuti ja seejärel sisestage jõhv augukeses olevasse kinnitusavasse.

ET

GARANTII

EGA GARANTIIPÕHIMÕTTED

Täielikud EGO garantiitingimused leiate veebilehelt egopowerplus.com.

ПРОЧИТАЙТЕ ВСІ ІНСТРУКЦІЇ!



ПРОЧИТАЙТЕ ПОСІБНИК З ЕКСПЛУАТАЦІЇ

⚠ Залишковий ризик! Люди з електронними пристроями, наприклад кардіостимуляторами, повинні проконсультуватися зі своїм лікарем (лікарями) перед використанням цього виробу. Експлуатація електрообладнання в безпосередній близькості від кардіостимулятора може спричинити перешкоди або несправність кардіостимулятора.

⚠ ПОПЕРЕДЖЕННЯ. Для гарантування безпеки та надійності всі роботи з ремонту та заміни повинен проводити кваліфікований технічний спеціаліст.

СИМВОЛИ, ЩО СТОСУЮТЬСЯ БЕЗПЕКИ

Мета символів, пов'язаних із безпекою, – привернути вашу увагу до можливих небезпек. Символи безпеки та їхнє пояснення заслуговують на вашу пильну увагу та розуміння. Символи попереджень самі по собі не усувають будь-якої небезпеки. Інструкції та попередження, які вони надають, не замінюють належних заходів щодо запобігання аваріям.

⚠ ПОПЕРЕДЖЕННЯ. Перш ніж користуватися цим інструментом, обов'язково ознайомтеся з усіма інструкціями з безпеки, наведеними в цьому посібнику користувача, зокрема з усіма символами попереджень, такими як «НЕБЕЗПЕКА», «ПОПЕРЕДЖЕННЯ» та «ЗАСТЕРЕЖЕННЯ». Недотримання наведених нижче вказівок може спричинити ураження електричним струмом, пожежу та/або серйозні травми.

ЗНАЧЕННЯ СИМВОЛУ

⚠ СИМВОЛ ПОПЕРЕДЖЕННЯ ЩОДО БЕЗПЕКИ: Вказує на НЕБЕЗПЕКУ, ПОПЕРЕДЖЕННЯ АБО ЗАСТЕРЕЖЕННЯ. Може використовуватися разом з іншими символами або піктограмами.

UK



⚠ ПОПЕРЕДЖЕННЯ. Використання будь-яких електроінструментів може призвести до потрапляння сторонніх предметів в очі, що може спричинити серйозне пошкодження очей. Перед початком експлуатації електроінструмента завжди надягайте закриті захисні окуляри або відкриті захисні окуляри з бічними щитами та, якщо потрібно, повнопрофільну захисну маску. Ми рекомендуємо захисну маску широкого розміру для використання поверх окулярів або стандартні відкриті захисні окуляри з бічними щитами.

ВКАЗІВКИ З ТЕХНІКИ БЕЗПЕКИ

На цій сторінці зображено та описано символи, пов'язані з безпекою, які можуть відобразитися на цьому виробі. Перш ніж намагатися зібрати та експлуатувати його, ознайомтеся з усіма інструкціями на машині та дотримуйтесь їх.

	Попередження щодо безпеки	Вказує на потенційну небезпеку травмування.
	Прочитайте посібник користувача	Щоб зменшити ризик травми, користувач повинен ознайомитися з інструкцією користувача перед використанням цього виробу.
	Надягайте засоби захисту очей	Працюючи з цим виробом, завжди носіть закриті захисні окуляри чи відкриті захисні окуляри з бічними щитами або повнопрофільну захисну маску.
	Надягайте засоби захисту органів слуху	Завжди використовуйте звукові бар'єри (вушні пробки або глушники для вух), щоб захистити слух.
	Надягайте засоби захисту голови	Носіть схвалений захисний шолом для захисту голови.

	Надягайте захисні рукавиці.	Під час роботи з лезом і щитком леза одягайте рукавиці для захисту рук. Міцні рукавички з неслизького матеріалу поліпшують хват і захищають руки.
	Надягайте захисне взуття	Використовуючи таке обладнання, одягайте неслизьке захисне взуття.
	Ширина різання	Макс. ширина різання лісового тримера
	Діаметр ліски	Діаметр нейлонової ріжучої ліски
	Кругле лезо не використовується	Не встановлюйте кругові різальні леза.
	Тримайте сторонніх подалі	Переконайтеся, що інші люди та домашні тварини залишаються на відстані принаймні 15 м від лісового тримера, коли він використовується.
	Тримайте сторонніх подалі	Переконайтеся, що інші люди та домашні тварини залишаються на відстані принаймні 15 м від лісового тримера, коли він використовується.
	Не залишайте під дощем	Не використовуйте цей пристрій у дощ і не залишайте його в дощ надворі.
	CE	Цей виріб відповідає чинним директивам ЄС.

	WEEE	Відходи електричних виробів не слід викидати разом із побутовим сміттям. Зверніться до авторизованого пункту переробки.
	Шум	Гарантований рівень звукової потужності. Розповсюдження шуму в навколишнє середовище згідно з директивою Європейського співтовариства.
V	Вольти	Напруга
mm	Міліметр	Довжина або розмір
cm	Сантиметр	Довжина або розмір
kg	Кілограм	Маса

ЗАГАЛЬНІ ПОПЕРЕДЖЕННЯ ЩОДО ТЕХНІКИ БЕЗПЕКИ РОБОТИ З ЕЛЕКТРОІНСТРУМЕНТАМИ

⚠ ПОПЕРЕДЖЕННЯ. Прочитайте всі попередження безпеки, інструкції, ілюстрації та характеристики, надані з цим електроінструментом. Недотримання наведених нижче вказівок може спричинити ураження електричним струмом, пожежу та/або серйозні травми.

Зберігайте всі застереження та інструкції для подальшого використання.

Термін «електроінструмент» у попередженнях стосується електричного інструмента, що працює від електромережі (через шнур) або від акумулятора (без шнура).

БЕЗПЕКА В РОБОЧІЙ ЗОНІ

- Робоче місце має бути чистим і гарно освітленим. Неприбрана або погано освітлена робоча зона може стати причиною нещасного випадку.
- Не працюйте з інструментом у вибухонебезпечному середовищі, наприклад за наявності легкозаймистих рідин, газів або пилу. Під час роботи електроприладу утворюються іскри, від яких можуть зайнятися пил або випари.
- Дітям і спостерігачам заборонено перебувати поруч з електроінструментом, що працює. Це може відволікати вас і призвести до втрати контролю.

UK

ІНДИВІДУАЛЬНА ТЕХНІКА БЕЗПЕКИ

- Під час роботи з електроінструментом будьте уважними, слідкуйте за своїми діями та мисліть розсудливо. Не працюйте з електроінструментом, якщо ви втомлені або перебуваєте під дією наркотичних речовин, алкоголю або ліків. Навіть миттєва неуважність під час роботи з електроінструментом може призвести до важкої травми.
- Використовуйте засоби особистого захисту. Завжди носіть засоби захисту очей. Використання у відповідних умовах таких захисних засобів, як протипиловий респіратор, неслизьке захисне взуття, шолом-каска і навушники допоможе зменшити ризик травмування.
- Уникайте випадкового запуску. Перш ніж підключати електроінструмент до мережі живлення чи акумулятора, брати чи переносити його, перевірте, чи встановлено перемикач у положення «вимкнено». Якщо переносити електроінструмент, тримаючи палець на перемикачі живлення, або підключати його до джерела живлення, коли перемикач живлення перебуває в положенні «увімкнено», це може призвести до травмування.
- Перш ніж вмикати електроінструмент, слід зняти всі регульовальні клини або гайкові ключі. Якщо залишити такий ключ на рухомій частині електроінструмента, це може призвести до травмування.
- Не дотягуйтеся. Завжди міцно стійте на ногах і втримуйте рівновагу. Це дає змогу краще керувати електроінструментом у разі виникнення непередбачуваних ситуацій.
- Одягайтеся належним чином. Не носіть вільного одягу або прикрас. Стежте за тим, щоб волосся, одяг та рукавиці не потрапили на рухомі частини. Вільний одяг, прикраси або довге волосся можуть потрапити в рухомі частини.
- Якщо пристрій обладнано системою видалення пилу, переконайтеся, що її правильно підключено і що ви використовуєте її належним чином. Використання пристрою для збирання пилу може зменшити небезпеку, пов'язану з пилом.
- Не дозволяйте навичкам, отриманим після частого використання інструментів, змусити вас стати самовпевненими та ігнорувати принципи безпеки інструмента. Недбала дія може спричинити серйозну травму протягом долі секунди.

ВИКОРИСТАННЯ ТА ДОГЛЯД ЗА ЕЛЕКТРОІНСТРУМЕНТОМ

- Не застосовуйте силу до електроінструмента.

Використовуйте належний електроінструмент відповідно до потреби. Правильно підібраний електроінструмент допоможе краще і безпечніше зробити роботу зі швидкістю, яка для неї передбачена.

- Не використовуйте електроінструмент, якщо перемикач не вмикає або не вимикає його. Усі електроінструменти, якими неможливо керувати за допомогою перемикача, становлять небезпеку й підлягають ремонту.
- Тримайте інструмент, що не використовується, подалі від дітей і не дозволяйте особам, які не мають досвіду роботи з такими інструментами або не знайомі з цими інструкціями, користуватись електроінструментом. Електроінструменти становлять небезпеку в руках недосвідчених користувачів.
- Доглядайте за електроінструментами та аксесуарами. Перевіряйте їх на предмет розладнання чи блокування рухомих частин, а також будь-яких обставин, які можуть вплинути на роботу електроінструмента. У разі пошкодження електроінструмент слід здати в ремонт, перш ніж користуватися ним. Часто нещасні випадки трапляються внаслідок неналежного технічного обслуговування електроінструментів.
- Тримайте ріжучі інструменти гострими й чистими. Належним чином доглянуті ріжучі інструменти з гострими ріжучими краями рідше блокуються, і ними легше керувати.
- Користуйтеся електроінструментом, аксесуарами та насадками для інструмента згідно з цією інструкцією, зважаючи на робочі умови та роботу, яку слід виконати. Використання електроінструмента всупереч призначенню може стати причиною виникнення небезпечних ситуацій.
- Підтримуйте руків'я та захватні поверхні сухими, чистими, без жиру і бруду. Слизькі ручки та захватні поверхні не дають змоги безпечно тримати та керувати інструментом у непередбачених ситуаціях.
- Тримайте кабелі подалі від робочої зони інструмента. Під час роботи кабелі можуть зникнути з поля зору та випадково пошкодитись інструментом.

КОРИСТУВАННЯ І ДОГЛЯД ЗА АКУМУЛЯТОРНИМ ІНСТРУМЕНТОМ

- Заряджайте лише за допомогою зарядного пристрою, указанного виробником. Зарядний пристрій, який підходить для акумуляторів одного виду, може викликати ризик пожежі у випадку його

використання з іншим акумулятором.

- З електроінструментами слід використовувати лише призначені для них акумуляторні батареї. Використання будь-яких інших акумуляторних батарей може призвести до травми або пожежі.
- Коли батарея не використовується, її слід тримати окремо від металевих предметів – затискачів паперу, монет, ключів, цвяхів, шурупів та інших дрібних предметів, які можуть замкнути клема. Коротке замикання клем акумулятора може стати причиною опіків чи пожежі.
- У надто важких умовах експлуатації з акумулятора може витікати рідина; не доторкайтесь до неї. Якщо випадково ви все ж торкнулися її, слід промити це місце водою. Якщо рідина потрапила в очі, слід також звернутися до лікаря. Рідина, яка виступає з акумулятора, може спричинити подразнення або опіки.
- Не використовуйте акумуляторну батарею або інструмент, які пошкоджено або змінено. Пошкоджені або змінені батареї можуть мати непередбачувану поведінку, що може спричинити пожежу, вибух або ризик травмування.
- Не піддавайте акумуляторну батарею або інструмент дії вогню або високих температур. Вогонь або температура вище 100°C може спричинити вибух.
- Дотримуйтесь усіх інструкцій щодо заряджання та не заряджайте акумуляторну батарею або інструмент за межами температурного діапазону, зазначеного в інструкціях. Зарядження неналежним чином або при температурах за межами вказаного діапазону може пошкодити акумулятор і збільшити ризик виникнення пожежі.

СЕРВІС

- Обслуговування електроінструмента повинен виконувати кваліфікований ремонтник із використанням лише ідентичних запасних частин. Це забезпечить нормальну роботу електроінструмента.
- Ніколи не ремонтуйте пошкоджені акумулятори. Сервісне обслуговування акумуляторних акумуляторів має виконувати лише виробник або авторизовані постачальники послуг.

▲ ПОПЕРЕДЖЕННЯ. Прочитайте всі попередження безпеки, інструкції, ілюстрації та характеристики, надані з цим електроінструментом. Недотримання наведених нижче вказівок може спричинити ураження електричним струмом, пожежу та/або серйозні травми. Зберігайте всі попередження та

інструкції для використання у майбутньому.

Зберігайте всі попередження та інструкції для подальшого використання.

НАВЧАННЯ

- Уважно ознайомтеся з інструкцією. Ознайомтеся з органами керування та правилами належного користування куцорізом.
- Не дозволяйте користуватися цим інструментом особам, які не ознайомилися з інструкцією з експлуатації, або дітям. Місцеві нормативні акти можуть обмежувати вік оператора.
- Пам'ятайте, що оператор або користувач несе відповідальність за нещасні випадки або збитки, заподіяні іншим особам чи їхньому майну.

ПІДГОТОВКА

- Ніколи не використовуйте прилад, якщо поблизу є люди, особливо діти, чи домашні тварини.
- Завжди одягайте засоби захисту очей і захисне взуття під час роботи з інструментом.
- Відстань між інструментом і сторонніми спостерігачами має бути не менше 15 м.
- Ніколи не працюйте з інструментом, якщо ви втомлені або перебуваєте під дією алкоголю чи інших речовин.

ЕКСПЛУАТАЦІЯ

- Працюйте з інструментом лише при денному світлі або при гарному штучному світлі.
- Ніколи не користуйтеся інструментом із пошкодженими захисними пристроями чи щитками або без установлених захисних щитків.
- Вмикаючи мотор, упевніться, що ви тримаєте руки та ноги на відстані від ріжучих елементів.
- Завжди відключайте інструмент від джерела живлення (тобто виймайте акумуляторну батарею).
 - Коли інструмент залишається без нагляду;
 - перед очищенням засмічення;
 - перед перевіркою, очищенням інструмента або роботою з ним;
 - після зіткнення зі стороннім предметом;
 - коли інструмент починає незвично вібрувати.
- Остерігайтеся травмування ніг і рук різальними засобами.
- Завжди стежте за тим, щоб вентиляційні отвори були чистими й не засміченими.

UK

ТЕХНІЧНЕ ОБСЛУГОВУВАННЯ ТА ЗБЕРІГАННЯ

- Перед проведенням будь-яких операцій з обслуговування або очищення інструмента від'єднайте його від джерела живлення (тобто виймайте батарею).
- Використовуйте лише рекомендовані виробником запасні деталі та приладдя.
- Регулярно оглядайте інструмент і виконуйте його обслуговування. Доручайте ремонт інструмента лише вповноваженому спеціалісту з ремонту.
- Коли інструмент не використовується, тримайте його в недоступному для дітей місці.

ІНШІ ПОПЕРЕДЖЕННЯ ЩОДО БЕЗПЕКИ

- Уникайте небезпечних середовищ. Не використовуйте прилади на вологих або мокрих схилах.
- Запобіжники мають бути на місці та в робочому стані.
- Тримайте руки та ноги подалі від місця різання.
- Щоб зменшити ризик отримання травми, ніколи не слід працювати на драбині або на будь-якій іншій небезпечній опорі. Ніколи не тримайте ріжучий пристрій вище висоти пояса.
- Регулярно перевіряйте ріжучий пристрій через короткі проміжки часу під час роботи, або негайно, якщо помітна зміна в способі різання.
- Для досягнення найкращих результатів акумулятор потрібно заряджати при температурі від 5 °C до 40 °C. Не зберігайте його за межами приміщення або в автомобілі.
- Перед наближенням зупиніть мотор і ріжучий пристрій.
- Попередьте оператора про небезпеку відкидання леза (лише в разі використання леза з 3 зубцями).
- Упор леза може мати місце, коли обертове лезо контактує з предметом, який він не зрізає негайно.
 - Упор леза може бути достатньо сильним і відштовхнути прилад і/або користувача в будь-якому напрямку, і, можливо, призвести до втрати контролю над приладом.
 - Упор леза може статися без попередження, якщо лезо налетить на корчі, застопориться або заплутається.
 - Упор леза частіше відбуваються в областях, де важко побачити матеріал, що зрізається.
- Не прикріплюйте лезо до приладу без

належного встановлення всіх необхідних частин. Використання невідповідних деталей може призвести до вильоту леза та серйозного пошкодження оператора та/або сторонніх спостерігачів. Викидайте лезо, якщо воно зігнулося, деформувалося, тріснуло, зламалося або його пошкоджено будь-яким іншим чином. Використовуйте гостре лезо. Тупе лезо частіше зачіплюється і відкидається (лише в разі використання леза з 3 зубцями).

- Лезо/ліска, що рухається, може спричинити пошкодження, коли продовжує обертатися після зупинки мотора або звільнення тригера. Підтримуйте належний контроль, доки лезо/ліска повністю не припинить обертатися.
- Акумуляторні інструменти не потрібно підключати до електричної розетки; отже, вони завжди в робочому стані. Будьте в курсі можливих небезпек, навіть якщо інструмент не працює. Будьте обережні, виконуючи технічне обслуговування чи догляд.
- Не мийте шлангом; уникайте потрапляння води в мотор та електричні з'єднання.
- Якщо виникають ситуації, які не розглядаються в цьому посібнику, проявляйте обережність і розсудливість. Зверніться до сервісного центру для клієнтів EGO по допомогу.
- Використовуйте лише акумулятори та зарядні пристрої, перелічені на рис. А.

ЗБЕРЕЖІТЬ ЦЮ ІНСТРУКЦІЮ!

СПЕЦИФІКАЦІЇ

Ріжучий механізм	Ударна головка
Діаметр ліски	2,4-міліметрова нейлонова вита ліска
Ширина різання	38 мм
Швидкість холостого ходу	5000/6000 хв ⁻¹
Вага (без акумулятора)	1,59 кг
Діапазон рекомендованих робочих температур	0°C–40°C
Soovituslik hoiumistamise temperatuur	-20°C-70°C
Вимірний рівень звукової потужності L _{WA}	94,6 дБ(А) K=1,80 дБ(А)
Рівень звукового тиску на місці вуха оператора L _{PA}	83,2 дБ(А) K=3 дБ(А)

Гарантований рівень звукової потужності L_{WA} (виміряно відповідно до 2000/14/EC)		96 дБ(А)
Оцінка вібрації a_h	Передня допоміжна ручка	1,1 м/с ² K=1,5м/с ²
	Задня ручка	1,4 м/с ² K=1,5 м/с ²

- Зазначені вище параметри випробувано та виміряно з приводною головкою RH1400E;
- Вказане загальне значення вібрації виміряне за стандартним методом тестування і може використовуватися для порівняння одного інструмента з іншим;
- Заявлене сумарне значення вібрації може також використовуватись для попередньої оцінки впливу.

ПРИМІТКА. Емісія вібрації під час фактичного використання електроінструмента може відрізнятися від заявленої величини, у якій використовується інструмент. Щоб захистити оператора, користувач повинен вдягати рукавички та захисні навушники в реальних умовах використання.

ПАКУВАЛЬНИЙ СПИСОК

НАЗВА ДЕТАЛІ	КІЛЬКІСТЬ
Насадка-лісовий тример	1
Щиток	1
Шестигранний ключ	1
Багатофункціональний ключ	1
Посібник користувача	1

Щоб дізнатися про рекомендовану ріжучу ліску, відвідайте веб-сайт egorowerplus.com або зверніться до каталогу продукції EGO.

ОПИС

ОЗНАЙОМЛЕННЯ З НАСАДКОЮ-ЛІСОВИМ ТРИМЕРОМ (рис. А)

1. Торцевий ковпачок
2. Вал лісового тримера
3. Ріжуча ліска
4. Головка тримера (ударна головка)
5. Фіксатор
6. Лісовий ніж

7. Щиток
8. Шестигранний ключ
9. Багатофункціональний ключ

⚠ ПОПЕРЕДЖЕННЯ. Ніколи не використовуйте інструмент, якщо щиток міцно не закріплено. Щиток завжди має бути на інструменті для захисту користувача.

ЗБИРАННЯ

⚠ ПОПЕРЕДЖЕННЯ. Якщо якісь частини пошкоджені або відсутні, не користуйтеся цим інструментом, доки вони не будуть замінені. Використання цього виробу з пошкодженими або відсутніми деталями може призвести до серйозних травм.

⚠ ПОПЕРЕДЖЕННЯ. Не намагайтеся вдосконалити цей лісовий тример або застосувати приладдя, не рекомендоване для нього. Кожна така заміна чи переробка є фактом неправильного користування, створює небезпечні умови й загрожує серйозними травмами.

⚠ ПОПЕРЕДЖЕННЯ. Не приєднуйте пристрій до приводної головки, доки складання не буде закінчене. Недотримання цієї вимоги може призвести до неконтрольованого запуску та серйозних персональних травм.

УСТАНОВЛЕННЯ ЩИТКА

⚠ ПОПЕРЕДЖЕННЯ. Під час установлення або заміни щитка завжди слід носити рукавички. Будьте обережні та оберігайте руки від травмування лезом на щитку.

Відкрутіть і зніміть два гвинти з основи вала (рис. С), вирівняйте захисні монтажні отвори з отворами для збирання, а потім закріпіть щиток на основі вала за допомогою двох гвинтів разом із двома пружинними шайбами (рис. D).

Переконайтесь, що захисний щиток закріплений відповідно до рисунків С і D, і будь-яке зворотне кріплення може призвести до великої небезпеки!

ПІД'ЄДНАННЯ НАСАДКИ-ЛІСОВОГО ТРИМЕРА ДО ПРИВІДНОЇ ГОЛОВКИ

Ця насадка-лісовий тример призначена для використання з приводною головкою EGO RH1400E.

Див. розділ «УСТАНОВЛЕННЯ НАСАДКИ НА ПРИВІДНУ ГОЛОВКУ» в посібнику користувача приводної головки RH1400E.

ЕКСПЛУАТАЦІЯ

⚠ ПОПЕРЕДЖЕННЯ. Знання виробу не має робити вас недбалим. Пам'ятайте, що півсекунди неувважності досить для серйозної травми.

⚠ ПОПЕРЕДЖЕННЯ. Завжди носіть засоби захисту органів зору та слуху. Без окулярів ви ризикуєте травмами очей від викинутих предметів та іншими серйозними травмами.

ЗАСТОСУВАННЯ

Ви можете використовувати цей виріб для цілі, зазначеної нижче:

- Trimming grass and weeds from around porches, fences, and decks

ПРИМІТКА. Цей інструмент має використовуватись тільки за призначенням. Будь-яке інше використання вважається випадком використання не за призначенням.

Перед кожним використанням перевірте наявність пошкоджених/зношених деталей

Перевірте головку тримера, запобіжник і передню ручку, а також замініть будь-які частини, які тріснули, викривлені, зігнуті або пошкоджені.

Ріжучий лісковий ніж на краю щитка може затупитися з часом. Рекомендується періодично заточувати його за допомогою напилка або замінити його на нове лезо.

⚠ ПОПЕРЕДЖЕННЯ. Завжди слід носити рукавички під час кріплення або заміни щитка або заточування чи заміни леза. Зверніть увагу на розташування леза на щитку та захист вашої руки від травм.

⚠ ПОПЕРЕДЖЕННЯ. Щоб запобігти серйозним травмам, вийміть акумуляторну батарею з приводної головки перед обслуговуванням, очищенням, заміною насадок або видаленням матеріалу з пристрою.

ВИКОРИСТАННЯ ЛІСКОВОГО ТРИМЕРА З ПРИВІДНОЮ ГОЛОВКОЮ

⚠ ПОПЕРЕДЖЕННЯ. Одягайтеся правильно, щоб зменшити ризик травми під час роботи з цим інструментом. Не носіть вільного одягу або прикрас. Одягайте захисні окуляри та навушники. Носіть важкі, довгі штани, міцне взуття та рукавички. Не носіть шорти, сандалі, не працюйте босоніж.

⚠ ПОПЕРЕДЖЕННЯ. Очищуйте ділянку підрізання перед кожним використанням. Видаліть усі предмети, такі як камені, бите скло, цвяхи, дроти або ліску, які можуть бути відкинуті або затягнуті в ріжуче

обладнання. Приберіть із робочої області дітей, сторонніх і домашніх тварин. Принаймні тримайте всіх дітей, сторонніх спостерігачів і домашніх тварин на відстані не менше 15 м; проте для сторонніх спостерігачів усе одно може бути ризик від відкинутих предметів. Стороннім спостерігачам слід рекомендувати носити засоби захисту очей. Перед наближенням зупиніть мотор і ріжучий пристрій негайно.

Для безпечної та кращої роботи надягайте ремінець через плече. Відрегулюйте плечовий ремінець у зручному робочому положенні. Тримайте лісковий тример однією рукою за задню ручку, а іншою рукою за передню допоміжну ручку. Під час експлуатації інструмента тримайте його міцно обома руками. Лісковий тример необхідно тримати в зручному положенні, при чому задня ручка має бути на висоті стегна. Головка тримера має бути розташована паралельною до землі так, щоб вона легко контактувала з матеріалом, який треба зрізати, і щоб оператору не доводилося згинатися (рис. В).

⚠ ПОПЕРЕДЖЕННЯ. Плечовий ремінь також є механізмом швидкого звільнення в небезпечній ситуації. Коли трапляється надзвичайна ситуація, негайно зніміть його з плеча, незалежно від того, у який спосіб одягнено ремінь.

Після кожного використання очистьте тример

Див. розділ «ТЕХНІЧНЕ ОБСЛУГОВУВАННЯ» для отримання вказівок з очищення

ЗАПУСК/ЗУПИНКА ІНСТРУМЕНТА

Див. розділ «ЗАПУСК/ЗУПИНКА ПРИВІДНОЇ ГОЛОВКИ» в посібнику користувача приводної головки RH1400E.

РЕГУЛЮВАННЯ ДОВЖИНИ РІЖУЧОЇ ЛІСКИ.

Тримерна головка дає оператору змогу випустити більше ріжучої ліски, не зупиняючи мотор. Коли ліска стирається або зношується, можна випустити додаткову ліску, злегка вдаривши головкою тримера об землю під час роботи з тримером (рис. Е).

ПРИМІТКА. Випуск ліски стане складнішим, коли ріжуча ліска стане коротшою.

⚠ ПОПЕРЕДЖЕННЯ. Не видалайте та не змінюйте ріжуче лезо в зборі. Надмірна довжина ліски призведе до перегріву мотора та може спричинити серйозні травми.

ЗАМІНА ЛІСКИ

ПРИМІТКА. Завжди використовуйте рекомендовану нейлонову ріжучу ліску з діаметром, що не перевищує

2,4 мм. Використання іншої лиски, відмінної від указаної, може спричинити перегрівання лісового тримера або його пошкодження.

▲ ПОПЕРЕДЖЕННЯ. Ніколи не використовуйте металеву лиску, дріт або канат тощо. Вони можуть зламатись і стати небезпечними снарядами.

1. Виймання акумуляторної батареї
2. Видаліть залишкову ріжучу лиску, якщо це необхідно. Просто витягніть її вручну.
3. Відріжте ріжучу лиску довжиною 4 м. Вставте лиску в кріпильний отвір усередині вушка (рис. F). Натисніть і витягніть лиску з іншої сторони, доки не з'явиться рівна кількість лиски з обох боків катушки.
4. Натискайте, обертаючи фіксатор катушки в напрямку стрілки, щоб намотати лиску на катушку, доки на кожній стороні не з'явиться приблизно 14 см лиски (рис. G).
5. Натисніть на фіксатор катушки, тягнучи за лиску, щоб просувати лиску вручну, і перевірте, чи тримерну головку зібрано правильно.

Коли ріжуча лиска виривається з лінійного отвору або ріжуча лиска не випускається під час удару тримерної головки, виконайте такі кроки:

1. Вийміть акумуляторну батарею.
2. Натисніть на фіксатори тримача катушки та зніміть тримач катушки, витягнувши його (рис. H і I).
3. Видаліть ріжучу лиску з тримача катушки.
4. Тримаючи однією рукою основу катушки, іншою рукою візьміть тримач катушки і вивіряйте фіксатори на тримачі катушки з отворами на основі катушки (рис. J); долонею натисніть і повертайте тримач катушки ліворуч і праворуч, доки фіксатори не скріпляться з основою катушки (рис K).
5. Дотримуйтесь інструкцій у розділі «ЗАМІНА ЛІСКИ», щоб заправити ріжучу лиску.

Якщо інструмент призначений для використання як кушорізі, виконайте дії, показані на рисунку L і M, щоб розібрати тримерну головку.

ТЕХНІЧНЕ ОБСЛУГОВУВАННЯ

▲ ПОПЕРЕДЖЕННЯ. Перед оглядом, чищенням або обслуговуванням пристрою зупиніть двигун, почекайте доки всі рухомі частини зупиняться, і вийміть акумуляторну батарею. Недотримання цих інструкцій може призвести до серйозних персональних травм або пошкодження майна.

▲ ПОПЕРЕДЖЕННЯ. Використовуйте для технічного обслуговування лише ідентичні запчастини. Використання будь-яких інших частин створює

небезпеку або може призвести до поломки виробу. Для гарантування безпеки та надійності всі роботи з ремонту, крім описаних в інструкціях з обслуговування, повинен проводити кваліфікований технічний спеціаліст.

ЗАГАЛЬНИЙ ТЕХНІЧНИЙ ДОГЛЯД

Не застосовуйте розчинники, коли чистите пластмасові деталі. Більшість пластмас чутливі до різноманітних промислових розчинників і можуть бути ними пошкоджені. Для видалення бруду, пилу, мастила тощо користуйтеся чистою ганчіркою.

ОЧИЩЕННЯ ПРИЛАДУ

- Приберіть траву, яка могла намотатися на вал мотора або головку тримера.
- Використовуйте невелику щітку або невеликий пілосос для очищення вентиляційних отворів ззаду на корпусі.
- Очистьте прилад вологою ганчіркою з м'яким м'яким засобом.
- Не використовуйте сильні м'які засоби на пластиковому корпусі або ручці. Вони можуть бути пошкоджені деякими ароматичними маслами, наприклад хвойним і лимонним, а також розчинниками, такими як гас. Вологість також може становити небезпеку удару. Обережно протріть вологу м'якою сухою тканиною.

ЗМАЩЕННЯ ЗУБЧАСТИХ ПЕРЕДАЧ

Зубчасті передачі в корпусі редуктора необхідно періодично змащувати трансмісійним мастилом. Перевіряйте рівень змащення корпусу редуктора приблизно кожні 50 годин роботи, знявши гвинт із гнізда на боці корпусу.

Якщо на боках редуктора не видно мастила, виконайте кроки нижче, щоб залити трансмісійне мастило на 3/4 ємності.

Не заповнюйте редуктори повністю.

1. Тримайте лісовий тример на боці так, щоб герметичний гвинт був спрямований вгору.
2. Використовуйте багатофункціональний гайковий ключ, який входить у комплект, щоб відкрутити та зняти герметичний гвинт.
3. Використовуйте шприц для змащення (не входить у комплект), щоб влити мастило в отвір; не перевищуйте 3/4 ємності.
4. Затягніть герметичний гвинт після вливання.

UK

ЗБЕРІГАННЯ ПРИЛАДУ

- Вийміть акумуляторну батарею з тримера.
- Перед зберіганням інструмент необхідно ретельно очистити.
- Якщо насадка-лісковий тример знімається з приводної головки та зберігається окремо: установіть торцевий ковпачок на вал для насадок, щоб уникнути потрапляння бруду в муфту.
- Зберігайте пристрій у сухому, добре вентиляваному, закритому або високо розташованому недоступному для дітей місці. Не зберігайте пристрій біля мінеральних добрив, бензину та інших хімікатів.

Захист довкілля



Не викидайте електричне обладнання, зарядний пристрій та батареї/акумулятори в побутові відходи!

Відповідно до європейського закону 2012/19/ЄС електричне та електронне обладнання, яке більше не придатне для використання, і згідно з європейським законом 2006/66/ЄС дефектні або використані акумуляторні батареї мають збиратись окремо.

Якщо електричний пристрій утилізується на сміттєзвалищі, небезпечні речовини можуть витікати в ґрунтові води та потрапити в харчовий ланцюг, що може зашкодити вашому здоров'ю та самопочуттю.

УСУНЕННЯ НЕСПРАВНОСТЕЙ

НЕСПРАВНІСТЬ	ПРИЧИНА	ВИРІШЕННЯ
Лісовий тример не запускається.	<ul style="list-style-type: none"> ■ Акумуляторна батарея не приєднана до приводної головки. ■ Немає електричного контакту між приводною головкою та акумуляторною батареєю. ■ Акумуляторна батарея розряджена. ■ Важіль блокування та тригер не натиснуто одночасно. 	<ul style="list-style-type: none"> ■ Прикріпіть акумулятор до приводної головки. ■ Вийміть акумулятор, перевірте контакти та встановіть акумулятор знову, доки він не зафіксується. ■ Заряджайте акумулятор зарядними пристроями EGO, переліченими в цьому посібнику. ■ Натисніть важіль блокування та утримуйте його, а потім натисніть на тригер, щоб увімкнути лісовий тример.
Лісовий тример зупиняється під час різання.	<ul style="list-style-type: none"> ■ Щиток не встановлено на тример, у результаті чого ріжуча ліска надмірно довга і мотор перевантажено. ■ Використовується важка ріжуча ліска. ■ У валі мотора або головці тримера застрягла трава. ■ Мотор перевантажено. ■ Акумулятор або лісовий тример занадто гарячі. ■ Акумулятор від'єднано від інструмента. ■ Акумуляторна батарея розряджена. 	<ul style="list-style-type: none"> ■ Вийміть акумуляторну батарею та встановіть щиток на тример. ■ Використовуйте рекомендовану нейлонову ріжучу ліску з діаметром не більше 2,4 mm. ■ Зупиніть тример, вийміть акумулятор і витягніть траву з вала мотора та головки тримера. ■ Заберіть головку тримера з трави. Мотор відновить роботу, коли навантаження буде усунуто. Під час різання переміщайте тримерну головку в траву і з неї, і прибирайте не більше 20 см довжини за одне різання. ■ Дайте акумуляторній батареї або тримеру охолонути, доки температура не опуститься нижче 67 °C . ■ Знову встановіть акумуляторну батарею. ■ Заряджайте акумулятор зарядними пристроями EGO, переліченими в цьому посібнику.

UK

НЕСПРАВНІСТЬ	ПРИЧИНА	ВИРІШЕННЯ
Тримерна головка не просуває ліску.	<ul style="list-style-type: none"> ■ У валі мотора або головці тримера застрягла трава. ■ На котушці бракує ліски. ■ Тримерна головка брудна. ■ Лінія заплуталась у тримачі котушки. ■ Ліска занадто коротка. 	<ul style="list-style-type: none"> ■ Зупиніть тример, вийміть акумулятор і очистьте вал мотора та головку тримера. ■ Вийміть акумулятор і замініть ріжучу ліску; дотримуйтеся вказівок у розділі «ЗАМІНА ЛІСКИ» в цьому посібнику. ■ Вийміть акумулятор і очистьте тримач котушки та основу котушки в зборі. ■ Зніміть акумулятор, витягніть ліску з тримача котушки та перемотайте; дотримуйтеся вказівок у розділі «ЗАПРАВЛЕННЯ РІЖУЧОЇ ЛІСКИ» в цьому посібнику. ■ Вийміть акумулятор і витягніть ліску вручну, поперемінно натискаючи та відпускаючи тримерну головку.
Трава намоталася на головку тримера та корпус мотора.	<ul style="list-style-type: none"> ■ Різання високої трави на рівні землі. 	<ul style="list-style-type: none"> ■ Виріжьте високу траву згори вниз, видаляючи не більше 20 см за кожен прохід, щоб запобігти намотуванню.
Лезо не ріже ліску.	<ul style="list-style-type: none"> ■ Ріжучий лісковий ніж на краю щитка затупився. 	<ul style="list-style-type: none"> ■ Заточіть лісковий ніж напилком або замініть на новий ніж.
Тріщини на тримерній головці або тримачі котушки поступово відкручуються на основі котушки.	<ul style="list-style-type: none"> ■ Головка тримера зношена. 	<ul style="list-style-type: none"> ■ Замініть тримерну головку негайно; дотримуйтеся вказівок у розділі «ЗАМІНА ГОЛОВКИ ТРИМЕРА» в цьому посібнику.
Під час заміни ліски вона не може бути правильно завантажена в головку тримера.	<ul style="list-style-type: none"> ■ Лінії НАВАНТАЖЕННЯ тримача котушки не відповідають вушкам на основі котушки. ■ Ліска неправильно вставлена в кріпильний отвір у вушці. 	<ul style="list-style-type: none"> ■ Поверніть фіксатор котушки в напрямку стрілки, щоб вирівняти лінії НАВАНТАЖЕННЯ на тримачі котушки з вушками на основі котушки (рис. F). ■ Спочатку вирівняйте лінії НАВАНТАЖЕННЯ з вушками, а потім вставте ліску в кріпильний отвір, розташований всередині вушка.

UK ГАРАНТІЯ

ПРАВИЛА ГАРАНТІЇ EGO

Будь ласка, відвідайте веб-сайт egopowerplus.com для отримання повних умов гарантійної політики EGO.

ПРОЧЕТЕТЕ ВСИЧКИ ИНСТРУКЦИИ!



Прочетете ръководството на оператора

⚠️ Остатъчен риск! Хора с електронни устройства, като пейсмейкър трябва да се консултират с лекуващия(те) си лекар(и) преди употреба на този продукт. Работата с електрическо оборудване в непосредствена близост до сърдечен пейсмейкър може да предизвика смущение или неизправност на пейсмейкъра.

⚠️ ПРЕДУПРЕЖДЕНИЕ: За да осигурите безопасността и надеждността, всички поправки и подмени трябва да се извършват от квалифициран сервизен техник.

СИМВОЛИ ЗА БЕЗОПАСНОСТ

Целта на символите за безопасност е да превличат вниманието към възможни опасности. Символите за безопасност и обясненията към тях заслужават вашето повишено внимание и осъзнаване. Символите за безопасност сами по себе си не елиминират каквато и да е опасност. Инструкциите и предупрежденията, които предоставят не са заместители за подходящите мерки за предотвратяване на инцидент.

⚠️ ПРЕДУПРЕЖДЕНИЕ: Уверете се, че сте прочели и осъзнали всички инструкции за безопасност в това Ръководство на оператора, включително всички известяващи символи за безопасност, като **“ОПАСНОСТ,” “ПРЕДУПРЕЖДЕНИЕ,”** и **“ВНИМАНИЕ”** преди да използвате този инструмент. Неспазването на всички инструкции изброени долу може да доведе до електрически шок, пожар и/или сериозно нараняване.

ЗНАЧЕНИЕ НА СИМВОЛИТЕ

⚠️ СИМВОЛ СИГНАЛИЗИРАЩ ЗА БЕЗОПАСНОСТ: Показва **ОПАСНОСТ,** **ПРЕДУПРЕЖДЕНИЕ,** или **ВНИМАНИЕ.** Могат да бъдат използвани във връзка с други символи или пиктограми.



⚠️ ПРЕДУПРЕЖДЕНИЕ:









Експлоатацията на всички електрически инструменти, може да доведе до изхвърляне на чужди предмети към вашите очи, което може да доведе до сериозно нараняване на окото. Преди започване на работа с електрически инструмент, винаги носете предпазни очила със странична защита и визьор за цялото лице, когато е необходимо. Ние препоръчваме предпазна маска с широк визьор за употреба над очила или стандартни предпазни очила със странична защита.



ИНСТРУКЦИИ ЗА БЕЗОПАСНОСТ

Тази страница изобразява и описва символите за безопасност, които може да се появят по този продукт. Прочетете, осъзнайте и следвайте всички инструкции по машината преди предприемане на сглобяване или работа.

	Сигнал за безопасност	Показва риска от потенциално нараняване на човек.
	Прочетете ръководството на оператора	За намаляване на опасността от нараняване, потребителят трябва да прочете и разбере ръководството на оператора преди използването на този продукт.
	Носете защита за очите	Винаги носете предпазни очила със странична защита и предпазен екран за цялото лице, когато работите с този продукт.
	Носете защита за слуха	Винаги носете звукова защита (тапи за уши или антифони) за да защитите вашия слух.
	Носете защита за главата	Носете одобрена предпазна каска с твърдо бомбе за да предпазите главата.

BG

	Носете защитни ръкавици	Защитете ръцете си с ръкавици, когато боравите с ножа или предпазителя на ножа. Неплъзгащите се ръкавици за тежка работа подобряват вашия захват и защитават ръцете.
	Носете предпазни ръкавици	Носете неплъзгащи се обувки за безопасност, когато използвате това оборудване.
	Ширина на рязане	Максималната режеща ширина на кордов тример
	Диаметър на кордата	Диаметър на найлонова режеща корда
	Без кръгъл нож	Не монтирайте кръгли режещи ножове.
	Дръжте околните хора надалеч	Уверете се, че други хора и домашни любимци спазват поне 15 м разстояние от тримера, когато го използвате.
	Дръжте околните хора надалеч	Уверете се, че други хора и домашни любимци спазват поне 15 м разстояние от тримера, когато го използвате.
	Не излагайте на дъжд	Не използвайте в дъжд или не го оставяйте навън, когато вали.
	CE	Този продукт е в съответствие с приложимите директиви на ЕС.

	WEEE	Отпадъчните електрически продукти не трябва да бъдат изхвърляни заедно с домакинския отпадък. Отнесете го до упълномощено място за рециклиране.
	Шум	Гарантирано ниво на мощност на звука. Звуките емисии към околната среда са в съответствие с директивите на европейската общност.
V	Волта	Напрежение
mm	Милиметър	Дължина или размер
cm	Сантиметър	Дължина или размер
kg	Килограм	Тегло

ОБЩИ ПРЕДУПРЕЖДЕНИЯ ЗА БЕЗОПАСНОСТ НА ЕЛЕКТРИЧЕСКИ ИНСТРУМЕНТИ

⚠ ПРЕДУПРЕЖДЕНИЕ: Прочетете всички предупреждения за безопасност, инструкции, илюстрации и спецификации предоставени с този електрически инструмент. Неспазването на всички инструкции изброени долу може да доведе до токов удар, пожар и/или сериозно нараняване.

Запазете всички предупреждения и инструкции за бъдеща справка.

Терминът "Електрически инструмент" в предупрежденията се отнася до захранвани от мрежата (кабелни) електрически инструменти или захранвани чрез батерия (безкабелни) електрически инструменти.

БЕЗОПАСНОСТ В РАБОТНАТА ЗОНА

- Поддържайте работната зона чиста и добре осветена. Разхвърляни или тъмни работни зони поражда инциденти.
- Не работете с електроинструменти в експлозивна атмосфера, като например в присъствието на запалими течности, газ или прах. Електрическият инструмент създава искра, която може да възпламени праха или изпаренията.
- Дръжте на разстояние децата и страничните лица, докато работите с електрически инструмент. Разсейването може да причини загуба на контрол.

ЛИЧНА БЕЗОПАСНОСТ

- **Внимавайте, гледайте какво правите и използвайте здрав разум, когато работите с електрически инструмент. Не използвайте електрически инструмент, когато сте уморени или когато сте под влияние на наркотици, алкохол или лекарства.** Момент невнимание по време на работата с електрически инструмент, може да доведе до сериозно лично нараняване.
- **Използвайте лични предпазни средства. Винаги носете защита за очите.** Защитно оборудване като прахови маски, не плъзгащи се безопасно обувки, твърда каска или защита за слуха използвана при подходящи условия ще намали риска от лични наранявания.
- **Предотвратете непреднамерено пускане. Уверете се, че ключът е в изключена позиция, преди да свържете към захранване и/или батерия, повдигайки или носейки инструмента.** Носейки инструмента, докато пръстът ви е на спуська или подаването на захранване на инструменти, които са с включен прекъсвач е предпоставка за инциденти.
- **Извадете всеки регулиращ ключ или гаечен ключ, преди да включите захранването.** Гаечен или друг ключ оставен закачен към въртящите се части на електрическия инструмент, може да доведе до лично нараняване.
- **Не се протягайте. Запазете правилна стойка и баланс по всяко време.** Това позволява по-добър контрол върху електрическия инструмент в непредвидени ситуации.
- **Облечете се подходящо. Не носете отпуснати дрехи или бижута. Дръжте косата, дрехите и ръкавиците далеч от движещи се части.** Отпуснати дрехи, бижута или дълга коса, могат да бъдат хванати в движещите се части.
- **Ако са предоставени устройства за сварване на прахоуловител или съоръжения за събиране, уверете се, че те са свързани и са правилно използвани.** Употребата на устройства за прах може да намали рисковете свързани с прах.
- **Не позволявайте на рутинността придобита от честата употреба на инструмента да позволи да станете небрежни и да игнорирате принципите за безопасност на инструмента.** Небрежно действие може да причини сериозно нараняване за части от секундата.

УПОТРЕБА И ГРИЖА ЗА ЕЛЕКТРИЧЕСКИЯ ИНСТРУМЕНТ

- **Не пресилвайте електрически инструмент. Използвайте правилния електрически инструмент**

за вашата работа. Правилният електрически инструмент ще свърши работата по-добре и по-безопасно при капацитета за който е проектиран.

- **Не използвайте електрическия инструмент ако ключът не го включва или изключва.** Всеки електрически инструмент, който не може да бъде контролиран от ключа е опасен и трябва да бъде поправен.
- **Дръжте свободния електрически инструмент извън достъпа до деца и не позволявайте хора, които не са запознати с електрическия инструмент или тези инструкции да работят с него.** Електрическите инструменти са опасни в ръцете на необучени потребители.
- **Поддръжка на електрически инструменти и аксесоари.** Проверете за разместване или блокиране на подвижни части, счупване на части, и всякакви други условия, които могат да повлияят на работата на електрическия инструмент. При повреда ремонтирайте инструмента преди употреба. Много инциденти са причинени от лошо поддържани електрически инструменти.
- **Дръжте режещите инструменти остри и чисти.** Правилно поддържани режещи инструменти, с остри режещи ръбове е по-малко вероятно да се заклеят и по-лесно се контролират.
- **Използвайте електрическия инструмент, аксесоарите, частите на инструмента и т.н в съответствие с тези инструкции, като вземете предвид условията на работа и вида работа, която ще бъде извършвана.** Употребата на електрическия инструмент за дейности различни от предназначението може да доведе до опасни ситуации.
- **Дръжте ръкохватките и местата за захващане сухи, чисти и без масло и грес.** Хлъзгавите ръкохватки и места за захващане не позволяват безопасно боравене и контролиране на инструмента при неочаквана ситуация.
- **Дръжте кабелите далеч от работната зона на инструмента.** По време на работа кабелите може да са скрити от погледа ви и да бъдат срязани инцидентно от инструмента.

УПОТРЕБА И ГРИЖА ЗА ИНСТРУМЕНТ С БАТЕРИЯ

- **Презареждайте само с зарядно устройство определено от производителя.** Зарядно устройство, което е подходящо за един тип акумулаторни батерии може да създаде риск от пожар, когато се използва с други акумулаторни батерии.
- **Използвайте електроинструменти само със специфично обозначени акумулаторни батерии.** Употребата на каквато и да е друга батерия може да създаде риск от нараняване или пожар.

BG

- Когато акумулаторните батерии не са в употреба ги дръжте на разстояние от други метални обекти, като кламери, монети, ключове, пирони, отвертки или други малки метални предмети, които могат да направят свързване между клемите. Свързване на късо на клемите на акумулаторната батерия може да причини изгаряния или пожар.
- При условия на злоупотреба, течност може да се отдели от акумулаторната батерия; предотвратете контакт. Ако инцидентно възникне контакт, изплакнете с вода. Ако течност влезе в контакт с очите, допълнително потърсете медицинска помощ. Течност отделена от акумулаторната батерия може са предизвика възпаление или изгаряния.
- Не използвайте акумулаторна батерия или инструмент, които са повредени или модифицирани. Повредените или модифицираните батерии може да проявят непредсказуемо поведение, което да доведе до пожар, експлозия или риск от нараняване.
- Не излагайте батерията или инструмента на огън или прекомерна температура. Излагане на огън или температури над 100 °C може да причини експлозия.
- Следвайте всички инструкции за зареждане и не зареждайте батерията или инструмента извън температурния обхват зададен в инструкциите. Неправилното зареждане или зареждане извън определенения температурен обхват може да повреди батерията и да повиши риска от пожар.

ОБСЛУЖВАНЕ

- Обслужвайте вашия електрически инструмент чрез квалифициран техник, като използвате само идентични резервни части. Това ще осигури поддържането на безопасността на електрическия инструмент.
- Никога не поправяйте повредени акумулаторни батерии. Ремонтът на акумулаторни батерии трябва да бъде извършван от производителя или оторизиран сервис.

⚠ ПРЕДУПРЕЖДЕНИЕ: Прочетете всички предупреждения за безопасност, инструкции, илюстрации и спецификации предоставени с този електрически инструмент. Неспазването на всички инструкции изброени долу може да доведе до токов удар, пожар и/или сериозно нараняване. Запазете всички предупреждения и инструкции за бъдеща справка.

Запазете всички предупреждения и инструкции за бъдеща справка.

ОБУЧЕНИЕ

- Прочете внимателно инструкциите. Запознайте се с управлението и правилната употреба на машината.

- Никога не позволявайте на хора или деца, които не са запознати с тези инструкции да използват уреда. Местните разпоредби могат да ограничат възрастта на оператора.
- Не забравяйте, че операторът или потребителят носи отговорност за злополуки или рискове по отношение на други хора или тяхното имущество.

ПОДГОТОВКА

- Никога не работете с машината, докато в близост има хора, особено деца или домашни любимци.
- Носете защита за очите и подсилени обувки по всяко време докато работите с машината.
- Разстоянието между машината и околните хора трябва да бъде минимум 15 м.
- Не използвайте никога машината, когато операторът е уморен, болен или под влияние на алкохол или други упойващи средства.

РАБОТА

- Използвайте машината единствено на дневна светлина или при добра изкуствена светлина.
- Никога не работете с машината с повредени предпазители или екрани или без поставени предпазители или екрани.
- Включете мотора само, когато ръцете и краката са далеч от режещите средства.
- Винаги разединявайте машината от електрическото захранване (примерно махнете акумулаторната батерия).
 - когато оставяте машината без надзор;
 - преди почистване на задръстване;
 - преди проверка, почистване и работа по машината.
 - след удяране на чужд предмет;
 - когато машината започне да вибрира неестествено.
- Вземете предпазни мерки против контузии по краката и ръцете от средствата за рязане.
- Винаги бъдете сигурни, че вентилационните отвори са запазени чисти от отпадъци.

ПОДДРЪЖКА И СЪХРАНЕНИЕ

- Разединете машината от електрическото захранване (примерно извадете батерията), преди да извършите работа по поддръжка или почистване.
- Използвайте единствено препоръчани от производителя резервни части и аксесоари.
- Проверявайте и поддържайте машината редовно.

Ремонтирайте машината единствено в оторизиран сервиз.

- Когато не е в употреба, съхранете машината извън достъпа на деца.

ДРУГИ ПРЕДУПРЕЖДЕНИЯ ЗА БЕЗОПАСНОСТ

- Избягвайте опасни среди– не използвайте ел. уреди във влажни или мокри места.
- Дръжте предпазителите по местата им в работно състояние.
- Дръжте ръцете и краката далеч от зоната на рязане.
- За да намалите риска от нараняване, никога не работете на стълба или на някаква друга несигурна опора. Никога не дръжте режещия блок над нивото на талията.
- Проверявайте режещия блок на чести кратки интервали по време на работа или незабавно, ако има забележима промяна в поведението при рязане.
- За най-добри резултати, вашата батерия трябва да се зарежда на места, където температурата е по-висока от 5° C и по-ниска от 40° C. Не я съхранявайте на открито или в превозни средства.
- Ако бъдете приближен от човек, спрете мотора и режещия блок.
- Предупредете оператора за опасност от тласкане на ножа (използвайте само с нож с 3 зъба).
 - Тласкане на ножа може да се получи, когато въртящият се нож, влезе в контакт с предмет, който не може да отреже незабавно.
 - Тласкането на ножа може да бъде достатъчно силно за да причини уредът и/или операторът да бъдат изхвърлени на всяка посока и вероятно да се загуби контрол върху уреда.
 - Тласкането на ножа може да се случи без предупреждение, ако ножът се блъсне, заседне или се заклещи.
 - Тласкането на ножа е по вероятно да се случи в зона, където е трудно да видите рязания материал.
- Не закачайте нож на уред, без правилно монтиране на всички необходими части. Неспазването за употреба на правилни части, може да причини изпитане на ножа и сериозно да нарани оператора и/или околните стоящите. Изхвърлете от употреба ножове, които са огнати, деформирани, напукани, счупени или повредени по друг начин. Използвайте остър нож. Един тъп нож е по-склонен към засядане или тласкане (използвайте само нож с 3 зъба).
- Движещ се по инерция нож/корда, може да причини нараняване, тъй като продължава да се върти след

като моторът е спрял или спусъкът е освободен. Упражнявайте правилен контрол, докато ножът/кордата напълно спре да се върти.

- Инструментите с батерия не трябва да бъдат закачени към електрически контакт, поради това те винаги са в работно състояние. Бъдете подготвени за възможни опасности, дори когато инструментът не работи. Бъдете внимателни, когато извършвате поддръжка или обслужване.
- Не измивайте с маркуч, избягвайте попадане на вода в мотора и електрическите връзки.
- Ако настъпят събития, които не са засегнати в това ръководство, бъдете предпазливи и използвайте добра преценка. Свържете се с сервизния потребителски център на EGO за помощ.
- Използвайте само с акумулаторни батерии и зарядни устройства изброени на фиг. А.

ЗАПАЗЕТЕ ТЕЗИ ИНСТРУКЦИИ!

СПЕЦИФИКАЦИИ

Механизъм за рязане	Ударна глава	
Диаметър на кордата	2,4 м найлонова усукана корда	
Ширина на рязане	38 cm	
Тегло (без акумулаторна батерия)	5000/6000 min ⁻¹	
Измерено ниво на сила на звука L _{WA}	1,59 kg	
Препоръчителна работна температура	0°C-40°C	
Препоръчителна температура на съхранение	-20°C-70°C	
Измерено ниво на сила на звука L _{WA}	94,6 dB(A) K=1,80 dB(A)	
Ниво на звуково налягане при ухото на оператора L _{PA}	83,2 dB(A) K=3 dB(A)	
Гарантирано ниво на сила на звука L _{WA} (измерен съгласно 2000/14/EC)	96 dB(A)	
Оценка на вибрации h	Предната спомагателна ръкохватка	1,1 m/s ² K=1,5 m/s ²
	Задна ръкохватка	1,4 m/s ² K=1,5 m/s ²

- Горните параметри са тествани и измерени оборудвани със захранваща глава PH1400E;

BG

- Декларираният общ размер на вибрации е измерен в съответствие със стандартния метод за тест и може да бъде използван за сравнение между два инструмента;
- Декларираният общ размер на вибрации може също така да бъде използван за предварителна оценка на влиянието.

БЕЛЕЖКА: Вибрационните емисии по време на действителната употреба на електрическия инструмент може да се различава от декларираната стойност. С цел да се защити оператора, потребителят трябва да носи ръкавици и антифони в действителни условия на работа.

ОПАКОВЪЧЕН ЛИСТ

ИМЕ НА ЧАСТ	БРОЙ
Приставка кордов тример	1
Предпазител	1
Ключ шестограм	1
Мултифункционален гаечен ключ	1
Ръководство на оператора	1

Относно препоръчителната режеща корда, моля посетете уебсайта egopowerplus.com или вижте продуктивият каталог на EGO.

ОПИСАНИЕ

ЗАПОЗНАЙТЕ СЕ С ВАШАТА ПРИСТАВКА КОРДОВ ТРИМЕР (Фиг. А)

1. Крайна капачка
2. Прът на кордовия тример
3. Режеща корда
4. Тримерна глава (ударна глава)
5. Бутон за освобождаване
6. Режещ нож за кордата
7. Предпазител
8. Ключ шестограм
9. Мултифункционален гаечен ключ

⚠ ПРЕДУПРЕЖДЕНИЕ: Никога не работете с инструмента без предпазителя да е здраво на местото си. Предпазителят трябва винаги да е на инструмента за да предпазва потребителя.

МОНТАЖ

⚠ ПРЕДУПРЕЖДЕНИЕ: Ако някои от частите са повредени или липсват, не работете с този продукт, докато частите не се подменят. Използването на този продукт с повредени или липсващи части може да доведе до сериозно лично нараняване.

⚠ ПРЕДУПРЕЖДЕНИЕ: Не се опитвайте да модифицирате този продукт или да създадете аксесоари, които не се препоръчват за употреба с този кордов тример. Всяка такава промяна или модификация е злоупотреба и може да доведе до опасни условия с последици от възможни сериозни наранявания.

⚠ ПРЕДУПРЕЖДЕНИЕ: Не свързвайте със запазващата глава, докато монтажът не е завършен. Неспазването може да доведе до инцидентно стартиране и възможно сериозно нараняване.

МОНТАЖ НА ПРЕДПАЗИТЕЛЯ

⚠ ПРЕДУПРЕЖДЕНИЕ: Винаги носете ръкавици, когато монтирате или подмените предпазителя. Внимавайте за ножа на предпазителя и предпазвайте ръцете си от нараняване от ножа.

Разхлабете и извадете двата винта от основата на щангата (фиг. С), подравнете монтажните отвори на предпазителя с отворите за монтажния механизъм и след това захванете предпазителя в основата на щангата с двата винта, заедно с две пружинни шайби (фиг. D).

Уверете се, че предпазителят е закрепен съгласно фиг. С и D, всяко закрепване на обратно ще причини голяма опасност!

СВЪРЗВАНЕ НА ПРИСТАВКАТА КОРДОВ ТРИМЕР КЪМ ЗАХРАНВАЩАТА ГЛАВА

Тази приставка кордов тример е проектирана за употреба с EGO запазваща глава PH1400E.

Вижте раздел "МОНТИРАНЕ НА ПРИСТАВКА КЪМ ЗАХРАНВАЩАТА ГЛАВА" в ръководството на оператора на запазваща глава PH1400E.

ЕКСПЛОАТАЦИЯ

⚠ ПРЕДУПРЕЖДЕНИЕ: Не позволявайте рутината с този продукт да ви направи непредпазливи. Запомнете, че невнимание за малка част от секундата е достатъчна за да нанесе сериозно нараняване.

⚠ ПРЕДУПРЕЖДЕНИЕ: Винаги носете защита за очите заедно със защита за слуха. Ако не го направите може да доведе до изхвърляне на предмети към очите ви и други възможни сериозни наранявания.

ПРИЛОЖЕНИЯ

Може да използвате този продукт за целите описани долу:

- Trimming grass and weeds from around porches, fences, and decks

БЕЛЕЖКА: Инструментът трябва да бъде използван само за предназначенията цели. Всяка друга употреба се смята за случай на злоупотреба.

Преди всяка употреба проверявайте за повредени/износени части

Проверете тримерната глава, предпазителя и предната спомагателна ръкохватка и подменете всички части, които са напукани, деформирани, изкривени или повредени по някакъв начин.

Режещият нож за кордата на ръба на предпазителя може да се изтъпи в течение на времето. Препоръчва се периодично да го заточвате с пила или да го подмените с нов нож.

⚠ ПРЕДУПРЕЖДЕНИЕ: Винаги носете ръкавици, когато монтирате или подменят предпазителя или когато заточвате или подменят ножа. Отбележете позицията на ножа в предпазителя и защитете вашата ръка от нараняване.

⚠ ПРЕДУПРЕЖДЕНИЕ: За да предотвратите сериозно нараняване, извадете акумулаторната батерия от захранващата глава, преди обслужване, почистване, смяна на приставките или изваждане на материал от устройството.

ИЗПОЛЗВАНЕ НА КОРДОВ ТРИМЕР СЪС ЗАХРАНВАЩА ГЛАВА

⚠ ПРЕДУПРЕЖДЕНИЕ: Облечете се правилно за да намалите риска от нараняване, когато работите с този инструмент. Не носете отпуснати дрехи или бижута. Носете защита за очите и защита за очите/слуха. Носете тежки, дълги панталони, ботуши и ръкавици. Не носете къси панталони или сандали или не ходете бос.

⚠ ПРЕДУПРЕЖДЕНИЕ: Почистете зоната, която трябва да бъде подрязана преди всяка употреба. Почистете всички обекти, като камъни, счупени стъкла, пирони, кабели или въжета, които могат да бъдат

изхвърлени или да се оплетат в приставката за рязане. Изчистете зоната от деца, околни хора или домашни любимци. Като минимум дръжте всички деца, околни хора и домашни любимци минимум на 15 м разстояние, въпреки това пак може да съществува риск за околните от изхвърлени обекти. Околните наблюдатели трябва да бъдат насърчени да носят защита за очите. Ако бъдете приближен от човек спрете незабавно мотора и приставката за рязане.

За безопасна и по-добра работа, поставете ремъка за рамо през рамото си. Регулирайте ремъка за рамо в удобна работна позиция. Дръжте кордовия тример с едната си ръка за задната ръкохватка и с другата ръка за предната спомагателна ръкохватка. Поддържайте здрав захват и с двете ръце, докато работите с инструмента. Кордовият тример трябва да бъде държан в удобна позиция, като задната ръкохватка е на височината на бедрото. Главата на тримера трябва да бъде успоредна на земята, така че лесно да влиза в контакт с материалите, които трябва да бъдат отрязани, без операторът да трябва да се навежда.

⚠ ПРЕДУПРЕЖДЕНИЕ: Ремъкът за рамо, също е механизъм за бързо освобождаване при опасни ситуации. При наличие на аварийна ситуация, свалете го незабавно от рамото си, независимо по кой начин се намира.

След всяка употреба почистете тримера.

Вижте раздел ПОДДРЪЖКА за инструкции за почистване.

ЗА ДА СТАРТИРАТЕ/СПРЕТЕ ИНСТРУМЕНТА

Вижте раздел " СТАРТИРАНЕ/СПИРАНЕ НА ЗАХРАНВАЩАТА ГЛАВА " в ръководството на оператора на захранваща глава RH1400E.

РЕГУЛИРАНЕ НА ДЪЛЖИНАТА НА РЕЖЕЩАТА КОРДА

Главата на тримера позволява на оператора да отпусне повече режеща корда без да спира мотора. Когато кордата стане разкъсана или износена, може да бъде отпусната допълнителна корда чрез леко потупване в земята на главата на тримера (Фиг. Е).

БЕЛЕЖКА: Освобождаването на корда ще стане по трудно, с намаляването на кордата.

⚠ ПРЕДУПРЕЖДЕНИЕ: Не премахвайте или променяйте устройството на режещия нож за кордата. Прекалената дължина на кордата ще причини прегреване на мотора и може да доведе до сериозно нараняване.

ПОДМЯНА НА КОРДАТА

БЕЛЕЖКА: Винаги използвайте препоръчителната найлонова режеща корда, с диаметър не надвишаващ 2.4 мм. Използване на корда различна от посочената може да причини прегряване или повреда на тримера.

▲ ПРЕДУПРЕЖДЕНИЕ: Никога не използвайте метално подсилена корда, жица или въже и др. Те могат да се счупят и да станат опасни летящи предмети.

1. Премахнете акумулаторната батерия
2. Премахнете оставащата корда за рязане ако е необходимо. Просто я издърпайте с ръка.
3. Отрежете 4 м дълга режеща корда, Вкарайте кордата в монтажния отвор вътре в ухото (Фиг. F). Избутайте и дръпнете кордата от другата страна, докато еднакво количество корда се появи от двете страни на макарата.
4. Натиснете, докато въртите фиксатора на макарата по посока на стрелката, за да навиете кордата в макарата, докато остане приблизително 14 см корда, показваща се от двете страни (Фиг. G).
5. Бутнете надолу фиксатора на макарата, докато издърпвате кордата за да я придвижите ръчно напред и да проверите за правилно сглобяване на главата на тримера.

Когато кордата за рязане се откъсне от изхода за кордата или кордата за рязане не се освобождава, когато потупвате главата на тримера, следвайте долните стъпки:

1. Премахнете акумулаторната батерия.
2. Натиснете бутона за освобождаване на фиксатора на макарата и извадете макарата, като я издърпате право навън (фиг. H и I).
3. Извадете кордата за рязане от фиксатора на макарата.
4. Като държите с една ръка основата на макарата, използвайте другата ръка за да хванете фиксатора на макарата и да изравните щифтовете на фиксатора с отворите в основата (фиг. J); използвайте дланта си за да натиснете и завъртите фиксатора на макарата наляво и надясно, докато щифтовете се заключат в основата (фиг. K).
5. Следвайте инструкциите в „ПОДМЯНА НА КОРДАТА“ за да презаредите режещата корда.

Когато инструментът е предназначен за употреба като хросторез, следвайте стъпките показани на фиг. L и M за разглобяване на главата на тримера.

ПОДДРЪЖКА

▲ ПРЕДУПРЕЖДЕНИЕ: Преди инспекция, почистване или обслужване на уреда спрете мотора, изчакайте всички движещи части да спрат и извадете акумулаторната батерия. Неспазването на тези инструкции може да доведе до сериозно нараняване или щети по собствеността.

ПРЕДУПРЕЖДЕНИЕ: Когато обслужвате, използвайте само идентични резервни части. Употребата на каквито и да е други части може да създаде опасност или да предизвика повреда на продукта. За да осигурите безопасност и издръжливост, всички ремонти, различни от артикулите изброени в тези инструкции за поддръжка, трябва да бъдат извършвани от квалифициран сервизен техник.

ОБЩА ПОДДРЪЖКА

Избягвайте употребата на разтворители, когато почиствате пластмасовите части. Повечето пластмасови части са уязвими на повреда от различни видове разтворители в търговската мрежа и може да се повредят от тяхната употреба. Използвайте чист плат, за премахване на мръсотия, прах, масло и т.н.

ПОЧИСТВАНЕ НА УРЕДА

- Почистете тревата, която може да се е увила около вала на мотора или главата на тримера.
- Използвайте малка четка или малка прахосмукачка за да почистите, вентилационните отвори в задната страна на корпуса.
- Почистете уреда използвайки влажна кърпа и мек почистващ препарат.
- Не използвайте силен почистващ препарат по пластмасата на корпуса или ръкохватката. Те могат да бъдат повредени от определени ароматни масла като бор и лимон и от разтворители като керосин. Влагата също може да причини токов удар. Избършете всякаква влага със суха мека кърпа.

СМАЗВАНЕ НА ПРЕДАВКИТЕ НА ТРАНСМИСИЯТА

Предавките на трансмисията в предавателната кутия трябва да бъдат периодично смазвани със смазка за редукторни предавки. Проверете нивото на смазката в предавателната кутия приблизително на всеки 50 часа работа, като извадите уплътняващия винт от страни на кутията.

Ако не може да бъде видяна смазка по страните на редуктора, следвайте долните стъпки за да запълните с грес за редукторни предавки до 3/4 от капацитета.

Не напълвайте изцяло предавките на трансмисията

1. Дръжте тримера на една страна, така че уплътняващият винт да сочи нагоре .
2. Използвайте предоставения мултифункционален ключ за да разхлабите и премахнете уплътняващия винт.
3. Използвайте гресьорка (не е включена) за да вкарате малко грес е отвора на винта, не надвишавайте 3/4 от капацитета.
4. Затегнете уплътняващия винт след гресирането.

СЪХРАНЯВАНЕ НА УРЕДА

- Извадете акумулаторната батерия от тримера.
- Почистете изцяло инструмента преди да го съхраните.
- Ако приставката кордов тример е извадена от захранващата глава и съхранена отделно: Поставете крайната капачка на пръта на приставката за да избегнете навлизането на мръсотия в съединителното устройство.
- Съхранете уреда в сухо място с добра вентилация, заключен или съхраняван на високо извън достъпа на деца. Не съхранявайте уреда в близост или върху тор, бензин или други химикали.

Опазване на околната среда



Не изхвърляйте електрическо оборудване, зарядно устройство за акумулаторни батерии и батерии/ акумулаторни батерии в домакинския отпадък.

Съгласно европейския закон 2012/19/ЕС, електрическо и електронно оборудване, което повече не може да се използва и съгласно европейското законодателство 2006/66/ЕО, дефектните или използваните акумулаторни батерии/ батерии трябва да се събират отделно.

Ако се изхвърлят електрически уреди в сметища или бунцища, опасни вещества могат да изтекат в подпочвените води и да попаднат в хранителната верига, като увредят вашето здраве и благосъстояние.

ОТСТРАНЯВАНЕ НА НЕИЗПРАВНОСТИ

ПРОБЛЕМ	ПРИЧИНА	РЕШЕНИЕ
Кордовият тример не може да стартира.	<ul style="list-style-type: none"> ■ Акумулаторната батерия не е прикрепена към захранващата глава. ■ Няма електрически контакт между захранващата глава и батерията. ■ Акумулаторната батерия е изтощена. ■ Лостът за отключване и спусъкът не са натиснати едновременно. 	<ul style="list-style-type: none"> ■ Закрепете акумулаторната батерия към захранващата глава. ■ Извадете батерията, проверете контактите и монтирайте отново докато влезе на местото си. ■ Заредете акумулаторната батерия със зарядни EGO посочени в това ръководство. ■ Натиснете и задръжте лоста за отключване и след това натиснете спусъка за да включите тримера.
Кордовият тример спира по време на рязане.	<ul style="list-style-type: none"> ■ Предпазителът не е монтиран на тримера, което води до прекалено дълга режеща корда и прегряване на мотора. ■ Използвана е тежка корда за рязане. ■ Валът на мотора и тримерната глава са обвити в трева. ■ Моторът е претоварен. ■ Акумулаторната батерия или кордовият тример са твърде горещи. ■ Акумулаторната батерия е разединена от инструмента. ■ Акумулаторната батерия е изтощена. 	<ul style="list-style-type: none"> ■ Извадете акумулаторната батерия и монтирайте предпазителя на тримера. ■ Използвайте препоръчана найлонова режеща корда с диаметър не по-голям от 2,4 mm. ■ Спрете тримера, извадете батерията и извадете тревата от вала на мотора и тримерната глава. ■ Извадете тримерната глава от тревата. Моторът ще се възстанови, когато натоварването е отстранено. Когато режете изваждайте и вкарвайте тримерната глава в тревата, която трябва да бъде отрязана и отстранявайте не повече от 20 cm дължина на единично рязане. ■ Позволете на акумулаторната батерия или тримера да се охладят, докато температурата спадне под 67°C . ■ Монтирайте отново акумулаторната батерия. ■ Заредете акумулаторната батерия със зарядни EGO посочени в това ръководство.

BG

ПРОБЛЕМ	ПРИЧИНА	РЕШЕНИЕ
Главата на тримера не издърпва кордата.	<ul style="list-style-type: none"> ■ Валът на мотора и тримерната глава са обвити в трева. ■ Няма достатъчно корда на макарата. ■ Главата на тримера е замърсена. ■ Кордата е оплетена в устройството на фиксатора на макарата. ■ Кордата е твърде къса. 	<ul style="list-style-type: none"> ■ Спрете тримера, извадете батерията и почистете вала на мотора и тримерната глава. ■ Отстранете батерията и подменете кордата за рязане, следвайте раздел „ПОДМЯНА НА КОРДАТА“ в това ръководство. ■ Отстранете батерията и почистете устройството на фиксатора на макарата и основа на макарата. ■ Извадете батерията, извадете кордата от фиксатора и превъртете, следвайте раздел “ПРЕЗАРЕЖДАНЕ НА РЕЖЕЩАТА КОРДА” в това ръководство. ■ Извадете батерията и издърпайте ръчно кордата, като последователно натиснете и освободите главата на тримера.
Тревата обгръща главата на тримера и корпуса на мотора.	<ul style="list-style-type: none"> ■ Рязане на висока трева при нивото на земята. 	<ul style="list-style-type: none"> ■ Режете висока трева от горе на долу, като не отстранявате повече от 20 cm при всяко преминаване за да предотвратите увиване.
Ножът не реже кордата.	<ul style="list-style-type: none"> ■ Режещият нож за кордата на ръба на предпазителя се е изтъпил. 	<ul style="list-style-type: none"> ■ Заточете режещия нож за кордата с пила или го подменете с нов.
Пукнатини по главата на тримера или фиксаторът на макарата се е разхлабил от основата на макарата.	<ul style="list-style-type: none"> ■ Главата на тримера е износена. 	<ul style="list-style-type: none"> ■ Подменете незабавно главата на тримера следвайки раздел “ПОДМЯНА НА ГЛАВАТА НА ТРИМЕРА” в това ръководство.
По време на подмяна на кордата, кордата не може да бъде заредена правилно в главата на тримера.	<ul style="list-style-type: none"> ■ ЗАРЕДЕНИТЕ корди на фиксатора на макарата не са изравнени с ушите в основата на макарата. ■ Кордата не е правилно вкарана в монтажния отвор в ухото. 	<ul style="list-style-type: none"> ■ Завъртете фиксатора на макарата в посоката посочена със стрелка, за да изравните ЗАРЕДЕНАТА корда на фиксатора на макарата с ушите в основата на макарата. ■ Първо подравнете ЗАРЕДЕНИТЕ корди с ушите, след това вкарайте кордата в монтажния отвор, който се намира в ухото.

ГАРАНЦИЯ

BG

ГАРАНЦИОННА ПОЛИТИКА EGO

Моля посетете уебсайта egopowerplus.com за пълните условия по гаранционната политика на EGO.

PROČITAJTE UPUTE U CJELOSTI!



Pročitajte korisnički priručnik

⚠ Preostale opasnosti! Osobe s elektroničkim uređajima poput srčanih elektrostimulatora prije korištenja ovog proizvoda trebaju se posavjetovati sa svojim liječnikom. Rad električne opreme u neposrednoj blizini srčanih elektrostimulatora može prouzročiti smetnju ili kvar srčanog elektrostimulatora.

⚠ UPOZORENJE! Radi osiguranja sigurnosti i pouzdanosti sve popravke i zamjene treba obavljati kvalificirani servisni tehničar.

SIGURNOSNI SIMBOLI

Svrha sigurnosnih simbola je skretanje pozornosti na moguće opasnosti. Sigurnosni simboli i njihova objašnjenja zahtijevaju vašu potpunu pozornost i razumijevanje. Sami simboli upozorenja ne isključuju opasnost. Upute i upozorenja koja pružaju nisu zamjena za propisne mjere za prevenciju nesreća.

⚠ UPOZORENJE! Prije korištenja ovog alata pobrinite se da sve upute u ovom korisničkom priručniku, uključujući sve sigurnosne simbole kao što su "**OPASNOST**", "**UPOZORENJE**" i "**OPREZ**" pročitate s razumijevanjem. Zanemarivanje svih uputa navedenih u nastavku može rezultirati strujnim udarom, požarom i/ili teškim tjelesnim ozljedama.

ZNAČENJE SIMBOLA

⚠ SIGURNOSNI SIMBOL: ukazuje na **OPASNOST**, **UPOZORENJE** ILI **OPREZ**. Može se koristiti u kombinaciji s drugim simbolima ili piktogramima.



⚠ UPOZORENJE! Rukovanje električnim alatima može rezultirati odbacivanjem stranih predmeta u oči što opet može izazvati teška oštećenja očiju. Prije početka rukovanja električnim alatom uvijek nosite zatvorene zaštitne naočale ili zaštitne naočale s bočnim štitnicima, a prema potrebi i štitičnik za cijelo lice. Preporučujemo nošenje sigurnosne maske proizvođača Wide Vision preko naočala, ili nošenje standardnih zaštitnih naočala s bočnim štitnicima.

HR

SIGURNOSNE NAPOMENE

Na ovoj stranici slikovno su prikazani i objašnjeni sigurnosni simboli koji se mogu pojaviti na ovom proizvodu. Prije pokušaja sastavljanja i rukovanja s razumijevanjem pročitajte sve upute na stroju i pridržavajte ih se.

	Simbol upozorenja	Označava potencijalnu opasnost od osobnih ozljeda.
	Pročitajte korisnički priručnik.	Radi smanjenja opasnosti od ozljeda, prije korištenja ovog proizvoda korisnik treba s razumijevanjem pročitati ovaj korisnički priručnik.
	Nosite zaštitu za oči.	Kada rukujete ovim proizvodom, uvijek nosite zatvorene zaštitne naočale ili zaštitne naočale s bočnim štitnicima i štitičnik za cijelo lice.
	Nosite zaštitu za sluh.	Radi zaštite sluha uvijek nosite zvučne barijere (čepovi za uši ili štitičnici za uši).
	Nosite zaštitu za glavu.	Radi zaštite glave nosite odobrenu sigurnosnu kacigu.
	Nosite zaštitne rukavice.	Kada rukujete nožem ili štitičnikom noža zaštitite ruke rukavicama. Neklizajuće rukavice za teške radne uvjete poboljšavaju zahvat i štite ruke.
	Nosite sigurnosnu obuću.	Kada koristite ovu opremu nosite neklizajuću sigurnosnu obuću.
	Širina rezanja	Maks. širina rezanja šišača trave s reznom niti
	Promjer rezne niti	Promjer najlonske rezne niti
	Ne koristite okrugle noževe.	Ne postavljajte okrugle rezne noževe.

	Promatrače držite na udaljenosti.	Pobrinite se da druge osobe i kućni ljubimci ostanu najmanje 15 m udaljeni od šišača trave s reznom niti kada je u uporabi.
	Promatrače držite na udaljenosti.	Pobrinite se da druge osobe i kućni ljubimci ostanu najmanje 15 m udaljeni od šišača trave s reznom niti kada je u uporabi.
	Ne izlažite kiši.	Proizvod ne koristite na kiši ili ne ostavljajte ga na otvorenom kada pada kiša.
	CE	Ovaj proizvod je u skladu s primjenjivim Direktivama EU.
	WEEE	Otpadni električni proizvodi ne smiju se odlagati s otpadom iz kućanstva. Odnosite ih u ovlaštenu centar za reciklažu.
	Buka	Zajamčena razina zvučne snage: emisija buke u okruženju u skladu je s Direktivom Europske unije.
V	Volt	Napon
mm	Milimetar	Duljina ili dimenzija
cm	Centimetar	Duljina ili dimenzija
kg	Kilogram	Masa

OPĆA UPOZORENJA O SIGURNOSTI ELEKTRIČNIH ALATA

▲ UPOZORENJE: Pročitajte sva upozorenja, upute, ilustracije u vezi sigurnosti i tehničke podatke isporučene s ovim električnim alatom. Zenamiravanje svih uputa navedenih u nastavku može rezultirati strujnim udarom, požarom i/ili teškim ozljedama.

Sva upozorenja i upute spremite za buduće potrebe.

Pojam „električni alat“ se u upozorenjima odnosi na sav alat s mrežnim napajanjem (s priključnim kabelom) ili s baterijskim napajanjem (bez priključnog kabela).

SIGURNOST RADNOG PODRUČJA

- Obespečite čistoću i osvećenost radnog mesta. Zagromozdenne i ploho osvećene mesta slujuat pričinoj neshaćnih slućaaev.
- Ne ispoljužite elektrićnoinstrumeny vo vzyrvoopasnih mesta, naprimer vbliži gorjućih jidkostí, gasov ili pyli. Elektrićnoinstrumeny generiruju iskre, koje mogu vospalmeniti pyl i isparjenja.
- Ne dozvoljajte dećam i postoroćnim naohoditi se vbliži raduoćuće elektrićnoinstrumeny. Otvlekujuće faktory mogu privesti k potere kontrolja.

OSOBNA SIGURNOST

- **Budite oprezni i koncentrirajte se na posao koji obavljate i ponašajte se razumno pri korišćenju elektrićnog alata. Nemojte raditi s elektrićnim alatom ako ste umorni ili pod utjecajem droge, alkohola ili lijekova.** Trenutak nepažnje pri radu s elektrićnim alatom može dovesti do ozbiljne ozljede.
- **Koristite osobnu zaštitnu opremu. Nosite zaštitu za oči.** Osobna zaštitna oprema kao što je maska protiv prašine, zaštitne cipele s potplatama protiv klizanja, zaštitna kaciga ili štitnici za sluh, koja se koristi za odgovarajuća stanja, umanjit će opasnost od ozljede.
- **Spriječite nehotično uključivanje alata. Prije nego alat povežete na izvor napajanja i/ili dio sa baterijom, podižete ili nosite alat provjerite nalazi li se prekidač u položaju “isključeno”.** Nošenje alata s prstom na sklopci ili priključivanje alata na napajanje s ukljućenom sklopkom pogoduje nezgodama.
- **Skinite s alata sve ključeve za podešavanje ili pritezanje prije uključivanja njegovog napajanja.** Vilićasti ključ ili ključ za stezanje glave koji su ostali na rotirajućem dijelu elektrićnog alata mogu izazvati ozljede.
- **Nemojte se pretjerano naginjati. U svakom trenutku stojte stabilno na nogama.** Na taj način ćete zadržati bolju kontrolu nad alatom u nepredviđenim situacijama.
- **Obucite se prikladno. Ne nosite široku odjeću ili nakit. Kosu, odjeću i rukavice držite dalje od pokretnih dijelova.** Pokretni dijelovi mogu zahvatiti široku odjeću, nakit ili dugu kosu.
- **Ako postoje uređaji za povezivanje s usisivaćima i skupljaćima prašine, provjerite jesu li dobro spojeni i koriste li se ispravno.** Uporaba uređaja za prašinu smanjuje opasnost koja nastaje nakupljanjem prašine.
- **Zbog sigurnosti koju ste stekli zbog učestale upotrebe uređaja nemojte biti opuštenu i zanemariti sigurnosna načela rukovanja s alatom.** Neoprezna radnja može dovesti do teške ozljede u djeliću sekunde.

KORIŠTENJE I BRIGA O ELEKTRIČNOM ALATU

- **Nemojte preopterećivati električni alat.** Koristite alat koji odgovara poslu koji obavljate. S prikladnim električnim alatom ćete posao obaviti bolje i sigurnije i predviđenom brzinom.
- **Nemojte koristiti alat ako ga sklopkom ne možete uključiti ili isključiti.** Električni alat koji se ne može uključiti ili isključiti sklopkom opasan je i treba ga popraviti.
- **Električni alat koji ne koristite spremite izvan dohvata djece i nemojte dozvoliti da njime rade osobe koje nisu upoznate s električnim alatom ili s ovim uputama za rad s električnim alatom.** Električni alati su opasni u rukama neizvrješanih osoba.
- **Održavajte električni alat i pribor.** Provjerite da pokretni dijelovi alata nisu necentrirani ili zaglavljani, da nema polomljenih dijelova i drugih stanja koja mogu utjecati na rad električnog alata. Ako ima oštećenja, svakako ih prije korištenja otklonite. Mnoge nezgode su nastale upravo zbog slabog održavanja električnog alata.
- **Rezne alate održavajte oštrima i čistima.** Pravilno održavani rezni alati s oštrim reznim bridovima manje su skloni zaglavljivanju i njima se lakše upravlja.
- **Koristite električne alate, dodatke i nastavke u skladu s ovim uputama, uzimajući u obzir radne uvjete i vrstu rada koji će te obavljati.** Upotreba električnog alata za radove za koje on nije predviđen može dovesti do opasnih stanja.
- **Neka vam ruke i površine rukohvata budu suhe, čiste i bez ulja i masti.** Skliske ručke i površine za hvatanje ne omogućuju sigurno rukovanje i upravljanje alatom u neočekivanim situacijama.
- **Sklonite kabele iz radnog prostora alata.** Tijekom rada kabeli mogu biti skriveni od pogleda i može ih se slučajno oštetiti alatom.

KORIŠTENJE I NJEGA BATERIJSKOG ALATA

- **Punjenje obavljajte samo s punjačem kojeg je naveo proizvođač.** Punjač koji je prikladan za jedan tip baterijskog modula, može stvoriti rizik od požara ako se koristi s drugim baterijskim modulom.
- **Električni alat koristite samo s točno propisanim baterijskim modulima.** Korištenje drugih kompleta baterija može stvoriti rizik od ozljeda i požara.
- **Kada baterija nije u uporabi, držite je podalje od metalnih predmeta, kao što su spajalice, kovanice, ključevi, čavli, vijci ili bilo koji drugi metalni predmeti koji mogu uspostaviti vezu s priključkom.** Kratko spajanje baterijskih kontakata može prouzročiti opekline ili požar.

- **U slučaju pogrešne uporabe, baterija može izbaciti tekućinu; izbjegavajte kontakt.** Ako slučajno dođe do doticaja, mjesta doticaja isperite vodom. Ako tekućina dođe u doticaj s očima, dodatno potražite pomoć liječnika. Tekućina koju izbaci baterija može prouzročiti nadražaj kože ili opekline.
- **Nemojte rabiti ako je pakiranje oštećeno ili otvoreno Oštećene** ili izmijenjene baterije mogu se nepredviđeno ponašati, što može dovesti do požara, eksplozije i posljedičnih ozljeda.
- **Baterijski modul nemojte izlagati vatri i prekomjernim temperaturama.** Izlaganje utjecaju vatre i temperature iznad 100 °C može dovesti do eksplozije.
- **Slijedite sve upute za punjenje i nemojte puniti baterijski modul ili alat izvan raspona temperature navedenog u uputama.** Nepravilno punjenje ili punjenje na temperaturi izvan zadanog raspona može dovesti do oštećenja baterije i povećavanja opasnosti od nastanka požara.

SERVISIRANJE

- **Servisiranje strojnog alata prepustite kvalificiranom osoblju za popravak koje koristi samo identične zamjenske dijelove.** Time će se osigurati održavanje sigurnosti strojnog alata.
- **Nemojte popravljati oštećene baterijske module.** Popravak baterijskog modula smije izvršiti samo proizvođač ili ovlaštani serviser.

⚠ UPOZORENJE: Pročitajte sva upozorenja, upute, ilustracije u vezi sigurnosti i tehničke podatke isporučene s ovim električnim alatom. Zanemarivanje svih uputa navedenih u nastavku može rezultirati strujnim udarom, požarom i/ili teškim ozljedama. Sva upozorenja i upute spremite za buduće potrebe.

Sva upozorenja i upute spremite za buduće potrebe.

OBUKA

- **Pozorno pročitajte upute.** Upoznajte se s upravljačkim elementima i propisnom uporabom stroja.
- **Osobama koje se nisu upoznale s ovim uputama i djeci nemojte dozvoliti upotrebu alata.** Lokalni propisi mogu ograničavati starosnu dob rukovatelja.
- **Imajte na umu da je rukovatelj ili korisnik odgovoran za nesreće ili opasnosti za druge osobe ili njihovu imovinu.**

PRIPREMA

- **Strojem ne rukujte kada se u blizini nalaze osobe, a posebno djeca ili kućni ljubimci.**
- **Nosite zaštitu za oči i čvrstu obuću cijelo vrijeme dok rukujete strojem.**

- Udaljenost između stroja i promatrača treba biti najmanje 15 m.
- Nemojte raditi sa strojem ako ste umorni, bolesni ili pod utjecajem alkohola ili ostalih opijata.

RAD

- Stroj koristite samo pri dnevnom svjetlu ili dobrom umjetnom osvjetljenju.
- Strojem ne rukujte ako su štitnici ili zaštitni uređaji oštećeni ili ako nisu na svom mjestu.
- Motor uključite samo kada se ruke i stopala nalaze dalje od reznih elemenata.
- Stroj odvojite od električnog napajanja (tj. uklonite baterijski modul).
 - kada stroj ostavljate bez nadzora;
 - prije uklanjanja blokade;
 - prije provjere, čišćenja ili rada sa strojem.
 - nakon udaranja o strani predmet;
 - kada stroj počne neuobičajeno vibrirati.
- Zaštitite se od ozljeda stopala i ruku od reznih elemenata.
- Pazite da ventilacijski otvori ne budu zapriječeni.

ODRŽAVANJE I SKLADIŠTENJE

- Prije obavljanja radova održavanja ili čišćenja stroj odspojite od strujnog napajanja (tj. uklonite baterijski modul).
- Koristite samo zamjenske dijelove i pribor koje je preporučio proizvođač.
- Redovito obavljajte pregled i održavanje stroja. Popravak stroja prepustite samo ovlaštenom osoblju za popravak.
- Kada ga ne koristite, stroj čuvajte izvan dohvata djece.

OSTALA SIGURNOSNA UPOZORENJA

- **Izbjegavajte opasna okruženja** – ne upotrebljavajte uređaje na vlažnom ili mokrom nagibu.
- **Održavajte štitnike na njihovom mjestu i u radnom stanju.**
- **Ruke i stopala držite podalje od područja rezanja.**
- **Radi smanjenja opasnosti od ozljeda, nikada ne radite na ljestvama ili na nekoj drugoj nesigurnoj podlozi. Rezni priključak nikada ne držite na visini iznad struka.**
- **Rezni alat tijekom rada redovito provjeravajte u kratkim intervalima ili odmah ako uočite primjetnu promjenu u načinu rezanja.**
- **Najbolje rezultate postići ćete ako bateriju punite na mjestu gdje je temperatura više od 5 °C i niža od 40 °C. Nemojte ju čuvati na otvorenom prostoru ili u vozilima.**
- **Ako vam netko priđe, zaustavite motor i rezni priključak.**

- **Upozorite rukovatelja da postoji opasnost od potiska noža (samo s nožem s 3 zuba).**
 - Povratni udar noža može se dogoditi kada rotirajuća oštrica dođe u doticaj s predmetom kojeg ne može odmah odrezati.
 - Povratni udar noža može biti dovoljno silovit da rezultira odbacivanjem jedinice i/ili rukovatelja u bilo kojem smjeru i mogućim gubitkom kontrole nad jedinicom.
 - Povratni udar noža može se dogoditi bez upozorenja ako oštrica zapne, ako blokira ili se zaglavi.
 - Povratni udar noža prije će se dogoditi u područjima gdje je teško vidjeti materijal koji se reže.
- **Ne pričvršćujte oštricu na jedinicu bez propisnog postavljanja svih potrebnih dijelova. Zanemarivanje uporabe odobrenih dijelova može rezultirati odbacivanjem noža i teškim ozljedama rukovatelja i/ili promatrača. Zbrinite noževe koji su svinuti, deformirani, napuknuti, polomljeni ili oštećeni na bilo koji način. Koristite oštru oštricu. Kod tupog noža postoji veća vjerojatnost da će se zaglaviti i doći do povratnog udara (samo kod noža s 3 zuba).**
- **Nož u praznom hodu može prouzročiti ozljede dok se još okreće nakon zaustavljanja motora ili otpuštanja aktivatora. Održavajte odgovarajuću kontrolu dok se nož u potpunosti ne zaustavi.**
- **Baterijske alate nije potrebno uključivati u električnu utičnicu, stoga su uvijek u radnom stanju. Imajte na umu moguće opasnosti čak i kada alat ne radi. Budite oprezni pri obavljanju radova održavanja ili servisiranja.**
- **Uređaj ne perite sa crijevom; izbjegavajte da voda dospije u motor i električne priključke**
- **Ako se pojave situacije koje nisu obuhvaćene ovim priručnikom, postupite oprezno i uz dobru procjenu. Za pomoć se obratite servisnom centru proizvođača EGO.**
- **Upotrebljavajte samo s baterijskim modulima i punjačima koji su navedeni na sl. A.**

SAČUVAJTE OVE UPUTE!

TEHNIČKI PODACI

Rezni mehanizam	Rezna glava
Promjer rezne niti	Najlonska rezna nit 2,4 mm
Širina rezanja	38 cm
Brzina bez opterećenja	5000/6000 min ⁻¹
Masa (bez kompleta baterija)	1,59 kg
Preporučena radna temperatura	0 °C - 40 °C

Preporučena temperatura skladištenja	-20 °C - 70 °C	
Izmjerena razina zvučne snage L_{WA}	94,6 dB(A) K=1,80 dB(A)	
Razina zvučnog tlaka kod uha rukovatelja L_{PA}	83,2 dB(A) K=3 dB(A)	
Zajamčena razina zvučne snage L_{WA} (izmjereno sukladno Direktivi 2000/14/EZ)	96 dB(A)	
Procjena vibracija a_n	Prednji pomoćni rukohvat	1,1 m/s ² K=1,5 m/s ²
	Stražnji rukohvat	1,4 m/s ² K=1,5 m/s ²

- Gore navedeni parametri ispitani su i izmjereni za stroj opremljen pogonskom jedinicom;
- Deklarirane ukupne vrijednosti vibracija izmjerene su u skladu sa standardnom metodom ispitivanja i mogu se koristiti za usporedbu jednog alata s drugim.
- Deklarirane ukupne vrijednosti vibracija mogu se koristiti i u preliminarnoj procjeni izloženosti.

NAPOMENA: emisija vibracija tijekom aktualnog korištenja električnog alata može se razlikovati od deklarirane vrijednosti u kojoj se alat koristi; Radi zaštite rukovatelja korisnik treba nositi rukavice i štitnike za uši u aktualnim uvjetima korištenja.

SADRŽAJ PAKIRANJA

NAZIV DIJELA	KOLIČINA
Priključak šišača trave s reznom niti	1
Štitnik	1
Inbus ključ	1
Višefunkcijski ključ	1
Korisnički priručnik	1

Za preporučenu reznu nit posjetite internetsku stranicu egopowerplus.com ili pogledajte katalog proizvoda proizvođača EGO.

HR OPIS

UPOZNAJTE PRIKLJUČAK ŠIŠAČA TRAVE S REZKOM NITI (sl. A)

1. Krajnja kapica
2. Držak šišača trave s reznom niti
3. Rezna nit

262

PRIKLJUČAK ŠIŠAČA TRAVE S REZKOM NITI — STA1500

4. Glava šišača trave (reza glava)
5. Otpusni jezičac
6. Oštrica za rezanje rezne niti
7. Štitnik
8. Inbus ključ
9. Višefunkcijski ključ

⚠ UPOZORENJE! Alat nikada ne koristite bez dobro pričvršćenog štitnika. Štitnik uvijek mora biti na alatu radi zaštite korisnika.

SASTAVLJANJE

⚠ UPOZORENJE! Ako je bilo koji dio oštećen ili ako nedostaje, ne koristite ovaj proizvod dok ne zamijenite dijelove. Korištenje ovog proizvoda oštećenih dijelova ili dijelova koji nedostaju može rezultirati teškim tjelesnim ozljedama.

⚠ UPOZORENJE! Ne pokušavajte obavljati preinake na ovom proizvodu ili raditi pribor koji nije preporučen za uporabu s ovim šišačem trave s reznom niti. Sve takve izmjene ili preinake predstavljaju nepropisno korištenje i mogu rezultirati opasnim stanjima koja mogu dovesti do mogućih teških tjelesnih ozljeda.

⚠ UPOZORENJE! Ne spajajte pogonsku jedinicu dok sklop ne bude potpun. Nepostupanje u skladu s tim može rezultirati iznenadnim pokretanjem i mogućim teškim tjelesnim ozljedama.

POSTAVLJANJE ŠITNIKA

⚠ UPOZORENJE! Pri postavljanju ili zamjeni štitnika uvijek nosite rukavice. Budite oprezni s oštricom na štitniku i zaštitite ruke od ozljeda od oštrice.

Otpustite i uklonite dva vijka s kućišta drška (sl. C). Uravnajte montažne provrte na štitniku s montažnim provrtima i štitnik zatim pričvrstite na kućište drška s dvama vijcima i dvjema opružnim podloškama (sl. D).

Uvjerite se da je štitnik pričvršćen u skladu sa slikama C i D. Svako obrnuto pričvršćivanje izazvat će veliku opasnost!

PRIKLJUČIVANJE PRIKLJUČKA ŠIŠAČA TRAVE S REZKOM NITI NA POGONSKU JEDINICU

Ovaj priključak šišača trave s reznom niti predviđen je za korištenje s pogonskom jedinicom PH1400E proizvođača EGO.

Pogledajte poglavlje "POSTAVLJANJE PRIKLJUČKA NA POGONSKU JEDINICU" u korisničkom priručniku pogonske jedinice PH1400E.

RAD

⚠ UPOZORENJE! Nemojte dopustiti da vas poznavanje ovog proizvoda učini nepažljivim. Imajte na umu da je za nanošenje teških ozljeda dovoljan samo djelić sekunde nepažnje.

⚠ UPOZORENJE! Uvijek nosite zaštitu za oči i sluh. Nepostupanje u skladu s tim može rezultirati odbacivanjem predmeta u oči i drugim mogućim teškim ozljedama.

PRIMJENE

Ovaj proizvod možete koristiti za svrhe navedene u nastavku:

- Trimming grass and weeds from around porches, fences, and decks

NAPOMENA: alat se smije koristiti samo za prethodno opisanu namjenu. Svaka druga uporaba smatra se nepropisnom uporabom.

Prije svake uporabe provjerite oštećene/istrošene dijelove.

Provjerite glavu šišača trave, štitnik i prednji pomoćni rukohvat i zamijenite dijelove koji su napukli, deformirani, svinuti ili oštećeni na bilo koji način.

Oštrica za rezanje rezne niti na rubu štitnika vremenom može otupjeti. Preporučujemo povremeno oštrenje oštrice turpijom ili zamjenu oštrice novom.

⚠ UPOZORENJE! Pri postavljanju ili zamjeni štitnika ili pri oštrenju ili zamjeni oštrice uvijek nosite rukavice. Pazite na mjesto oštrice na štitniku i zaštitite ruke od ozljeda.

⚠ UPOZORENJE! Radi sprečavanja teških tjelesnih ozljeda prije servisiranja, čišćenja, promjene priključaka ili uklanjanja materijala iz jedinice izvadite komplet baterija iz pogonske jedinice.

KORIŠTENJE ŠIŠAČA TRAVE S REZKOM NITI S POGONSKOM JEDINICOM

⚠ UPOZORENJE! Obucite se propisno kako biste smanjili rizik od ozljeda tijekom rukovanja alatom. Ne nosite široku odjeću ili nakit. Nosite zaštitu za oči i uši/sluh. Nosite jake duge hlače, čizme i rukavice. Nemojte nositi kratke hlače ili sandale ili biti bosonogi.

⚠ UPOZORENJE! Prije svake uporabe očistite radno područje. Uklonite sve predmete poput kamenja, razbijenog stakla, čavala, žica ili niti koje stroj može odbaciti ili koji se mogu zaplesti u rezni priključak. Iz područja udaljite djecu, promatrače i kućne ljubimce. Držite djecu, promatrače i kućne ljubimce udaljene najmanje 15 m; čak i tada postoji opasnost od odbačenih predmeta

za promatrače. Promatrače je potrebno zamoliti da nose zaštitu za oči. Ako vam netko prilazi, odmah zaustavite motor i rezni priključak.

Za siguran i bolji rad preko ramena stavite ramenu traku. Podesite ramenu traku u ugodan radni položaj. Držite šišač trave s reznom niti jednom rukom na stražnjem rukohvatu, a drugom rukom na prednjem pomoćnom rukohvatu. Tijekom rukovanja rukohvate čvrsto primite objema rukama. Šišač trave s reznom niti potrebno je držati u ugodnom položaju sa stražnjim rukohvatom u visini kuka. Glava šišača trave treba stajati paralelno u odnosu na tlo tako da jednostavno dotiče materijal kojeg je potrebno rezati bez potrebe za naginjanjem rukovatelja (sl. B).

⚠ UPOZORENJE! Ramena traka je i mehanizam za brzo otpuštanje u opasnim situacijama. U slučaju nužde ramenu traku odmah skinite s ramena, bez obzira na koji način.

Šišač trave s reznom niti očistite nakon svake uporabe.

Za upute o čišćenju pogledajte poglavlje ODRŽAVANJE.

POKRETANJE/ZAUSTAVLJANJE ALATA

Pogledajte poglavlje "POKRETANJE/ZAUSTAVLJANJE POGONSKE JEDINICE" u korisničkom priručniku pogonske jedinice PH1400E.

PODEŠAVANJE DULJINE REZNE NITI

Glava šišača trave rukovatelju omogućuje otpuštanje više rezne niti bez zaustavljanja motora. Ako se rezna nit pohaba ili istroši, laganim doticanjem glave šišača trave o tlo tijekom rukovanja šišačem trave moguće je otpustiti više niti (sl. E).

NAPOMENA: otpuštanje niti teže je kako se rezna nit skraćuje.

⚠ UPOZORENJE! Ne uklanjajte sklop rezne oštrice niti ili ne obavljajte preinake na njemu. Prekomjerna duljina niti prouzročit će pregrijavanje motora što može rezultirati teškim tjelesnim ozljedama.

ZAMJENA REZNE NITI

NAPOMENA: uvijek koristite preporučenu najlonsku reznu nit promjera ne većeg od 2,4 mm. Korištenje rezne niti drukčije od navedene može prouzročiti pregrijavanje ili oštećenje šišača trave.

⚠ UPOZORENJE! Nikada ne koristite metalom ojačane niti, žicu ili užu e sl. jer mogu se odlomiti i postati opasni projektili.

1. Uklonite komplet baterija.

2. Ako je potrebno, uklonite preostalu reznu nit. Jednostavno je povucite rukom.
3. Odrežite reznu nit duljine 4 m. Umetnite reznu nit u montažni provrt u ušici (sl. F). Provucite reznu nit i povlačite je s druge strane dok rezna nit ne bude iste duljine s obje strane kalema.
4. Pritisnite dok držač kalema okrećete u smjeru strelice kako biste reznu nit namotali na kalem tako da sa svake strane ostane oko 14 cm rezne niti (sl. G).
5. Gurnite držač kalema prema dolje pritom povlačeći reznu nit kako biste je ručno pomakli prema naprijed i provjerili ispravnu montažu glave šišača trave.

Ako se rezna nit otkine od izlaza niti ili ako se rezna nit ne otpusti lupkanjem glave šišača trave, slijedite korake u nastavku:

1. Uklonite komplet baterija.
2. Pritisnite i otpustite jezičce na držaču kalema i uklonite držač kalema povlačeći ga ravno van (sl. H i I).
3. S držača kalema uklonite reznu nit.
4. Jednom rukom držite kućište kalema, drugom rukom uzmite držač kalema i uravnajte jezičce na držaču kalema s provrtima u kućištu kalema (sl. J); dlanom pritisnite držač kalema i okrećite ga ulijevo i udesno dok jezičci ne ulegnu u kućište kalema (sl. K).
5. Za ponovno stavljanje rezne niti slijedite upute u poglavlju "ZAMJENA REZNE NITI".

Kada će se alat upotrebljavati kao šišač živice, slijedite postupak kao na Sl. L i M za demontiranje glave šišača.

ODRŽAVANJE

⚠ UPOZORENJE! Prije pregleda, čišćenja ili servisiranja jedinice, zaustavite motor, pričekajte da se svi pokretni dijelovi zaustave i izvadite komplet baterija. Zanemarivanje ovih uputa može rezultirati teškim tjelesnim ozljedama ili materijalnim štetama.

⚠ UPOZORENJE! Pri servisiranju koristite samo identične zamjenske dijelove. Korištenje drugih dijelova može izazvati opasnost ili prouzročiti oštećenje proizvoda. Radi osiguranja sigurnosti i pouzdanosti, sve popravke drukčije od navedenih u ovim uputama za održavanje treba obavljati kvalificirani servisni tehničar.

HR

OPĆE ODRŽAVANJE

Pri čišćenju plastičnih dijelova izbjegavajte koristiti otapala. Većina plastika podložne su oštećenju od različitih vrsta komercijalnih otapala i mogu se oštetiti u slučaju njihovog korištenja. Za uklanjanje nečistoće, prašine, ulja, masti i sl. koristite čiste krpe.

ČIŠĆENJE JEDINICE

- Očistite travu koja se možda omotala oko vratila motora ili glave šišača trave.
- Za čišćenje ventilacijskih otvora na stražnjem kućištu koristite malu četku ili mali usisavač.
- Jedinicu očistite vlažnom krpom i blagim deterdžentom.
- Za čišćenje plastičnog kućišta ili rukohvata ne koristite jake deterdžente jer mogu ih oštetiti neka aromatična ulja, kao što su borovo i limunovo ulje i otapala kao što je kerozin. Vлага može izazvati opasnost od strujnog udara. Vlažna mjesta obrišite mekanom suhom krpom.

PODMAZIVANJE PRIJENOSNIKA

Prijenosnike u kućištu potrebno je povremeno podmazivati mašću za prijenosnike. Razinu masti u kućištu prijenosnika provjeravajte svakih 50 radnih sati uklanjanjem brtvenog vijka na strani kućišta.

Ako se na bočnim stranama prijenosnika ne vidi mast, za punjenje s mašću za prijenosnike do 3/4 zapremine slijedite korake u nastavku.

Prijenosnik nemojte puniti u cijelosti.

1. Držite šišač trave na njegovoj bočnoj strani tako da brtveni vijak bude usmjeren prema gore .
2. Za otpuštanje i uklanjanje brtvenog vijka koristite isporučeni višefunkcijski ključ.
3. Za ubrizgavanje masti kroz otvor vijka koristite brizgaljku za mast (nije u sadržaju isporuke); ne prekoračujte 3/4 zapremine.
4. Brtveni vijak pritegnite nakon ubrizgavanja.

SKLADIŠTENJE JEDINICE

- Izvadite komplet baterija iz šišača trave.
- Prije skladištenja temeljito očistite alat.
- Ako se priključak šišača trave s reznom niti uklanja s pogonske jedinice i skladišti zasebno: stavite krajnju kapicu na držak priključka kako biste izbjegli da nečistoća dospje u spojku.
- Jedinicu skladištite na suhom, dobro prozračenom mjestu koje je moguće zaključati ili koje je na visini izvan dohvata djece. Jedinicu nemojte skladištiti na gnojivima, benzinu ili drugim kemikalijama ili u njihovoj blizini.

Zaštita okoliša

Električnu opremu, punjač baterije i baterije/punjive baterije ne odlažite u otpad iz kućanstva!

Prema Europskoj Direktivi 2012/19/EU o električnoj i elektroničkoj opremi koja više nije iskoristiva i prema Europskoj Direktivi 2006/66/EZ neispravne ili iskorištene kompletne baterija/baterije potrebno je sakupljati zasebno.

Ako se električni uređaji odlažu na odlagališta otpada ili deponije, opasne tvari mogu iscurjeti u podzemne vode i dospjeti u lanac ishrane, oštećujući tako vaše zdravlje i blagostanje.

OTKLANJANJE POGREŠKI

PROBLEM	UZROK	RJEŠENJE
Šišač trave s reznom niti ne pokreće se.	<ul style="list-style-type: none"> ■ Komplet baterija nije pričvršćen na pogonsku jedinicu. ■ Nema električnog kontakta između pogonske jedinice i kompleta baterija. ■ Komplet baterija je ispražnjen. ■ Ručica za deblokadu i okidač ne pritišću se istodobno. 	<ul style="list-style-type: none"> ■ Pričvrstite komplet baterija na pogonsku jedinicu. ■ Uklonite bateriju, provjerite kontakte i ponovo stavite komplet baterija da ulegne. ■ Napunite komplet baterija s punjačima proizvođača EGO koji su navedeni u ovom priručniku. ■ Pritisnite ručicu za blokadu i držite je pritisnutom, a zatim pritisnite okidač kako biste uključili šišač trave s reznom niti.
Šišač trave s reznom niti zaustavlja se tijekom rezanja.	<ul style="list-style-type: none"> ■ Štitnik nije postavljen na šišač trave, što rezultira predugačkom reznom niti i preopterećenjem motora. ■ Koristi se teška rezna nit. ■ Vratilo motora ili glavu šišača trave blokira trava. ■ Motor je preopterećen. ■ Komplet baterija ili šišač trave s reznom niti previše je vruć. ■ Komplet baterija odspojen je od alata. ■ Komplet baterija je ispražnjen. 	<ul style="list-style-type: none"> ■ Uklonite komplet baterija i na šišač trave postavite štitnik. ■ Koristite preporučenu najlonsku reznou nit promjera ne većeg od 2,4 mm ■ Zaustavite šišač trave, izvadite bateriju i očistite travu s vratila motora i glave šišača trave. ■ Uklonite glavu šišača trave s trave. Motor će se povratiti po uklanjanju opterećenja. Glavu šišača trave prilikom rezanja pomičite u travu i iz trave i jednim rezom ne uklanjajte više od 20 cm duljine. ■ Pričekajte da se komplet baterija ili šišač trave ohladi na temperaturu ispod 67 °C . ■ Ponovno stavite komplet baterija. ■ Napunite komplet baterija s punjačima proizvođača EGO koji su navedeni u ovom priručniku.

PROBLEM	UZROK	RJEŠENJE
Glava šišača ne izvlači reznu nit.	<ul style="list-style-type: none"> ■ Vratilo motora ili glavu šišača trave blokira trava. ■ Na kalemu nema dovoljno rezne niti. ■ Glava šišača trave je zaprišana. ■ Rezna nit zapetjela se u sklopu držača kalema. ■ Rezna nit je prekratka. 	<ul style="list-style-type: none"> ■ Zaustavite šišač trave, izvadite bateriju i očistite vratilo motora i glavu šišača trave. ■ Izvadite bateriju i zamijenite reznu nit; slijedite upute u poglavlju "ZAMJENA REZNE NITI" u ovom priručniku. ■ Izvadite bateriju i očistite sklop držača kalema i kućište kalema. ■ Izvadite bateriju, uklonite reznu nit s držača kalema i ponovno je namotajte; slijedite upute u poglavlju "ZAMJENA REZNE NITI" u ovom priručniku. ■ Uklonite bateriju i ručno povucite rezne niti dok izmjenično pritišćete i otpuštate glavu šišača trave.
Trava se omotava oko glave šišača trave i kućišta motora.	<ul style="list-style-type: none"> ■ Visoka trava reže se od razine tla. 	<ul style="list-style-type: none"> ■ Visoku travu režite odozgo prema dolje i pritom ne režite više od 20 cm u svakom prolazu kako biste izbjegli omotavanje.
Oštrica ne reže reznu nit.	<ul style="list-style-type: none"> ■ Oštrica za rezanje rezne niti na rubu štitnika tupa je. 	<ul style="list-style-type: none"> ■ Oštricu za rezanje rezne niti naoštrite turpijom ili zamijenite je novom.
Pukotine na glavi šišača trave ili držač kalema otpustio se s kućišta kalema.	<ul style="list-style-type: none"> ■ Glava šišača trave istrošena je. 	<ul style="list-style-type: none"> ■ Odmah zamijenite glavu šišača trave; slijedite upute u poglavlju "ZAMJENA GLAVE ŠIŠAČA TRAVE" u ovom priručniku.
Tijekom zamjene rezne niti, reznu nit nije moguće propisno uvući u glavu šišača trave.	<ul style="list-style-type: none"> ■ Crtice "LOAD" na držaču kalema nisu uravnane s ušicama u kućištu kalema. ■ Rezna nit nije ispravno umetnuta u montažni provrt u ušici. 	<ul style="list-style-type: none"> ■ Okrenite držač kalema u smjeru strelice kako biste crtice "LOAD" na držaču kalema uravnali s ušicama u kućištu kalema. ■ Najprije uravnajte crtice "LOAD" s ušicama, a zatim reznu nit umetnite u montažni provrt koji se nalazi u ušici.

JAMSTVO

JAMSTVENA POLITIKA PROIZVOĐAČA EGO

Za cjelokupne uvjete jamstvene politike proizvođača EGO posjetite internetsku stranicu egopowerplus.com.

სრულად გაეცანით ინსტრუქციას!



გაეცანით მომხმარებლის ინსტრუქციას

▲ არსებული რისკი! პიროვნებებმა ისეთი ელექტრული მოწყობილობებით, როგორცაა იმპლანტირებული დეფიბრილატორი, უნდა მიმართონ პირად ექიმს რჩევისთვის ამ პროდუქტის გამოყენებამდე. იმპლანტირებულ დეფიბრილატორთან უშუალო სიახლოვეს ელექტრული მოწყობილობის ოპერირებამ შესაძლოა დეფიბრილატორს ხელი შეუშალოს მუშაობაში ან გათიშოს იგი.

▲ გაფრთხილება: ხელსაწყოს უსაფრთხოდ და გამართულად მუშაობისთვის საჭიროა მისი ყველა შეკეთება და ნაწილის შეცვლა შესრულდეს კვალიფიციური სერვისის ტექნიკოსის მიერ.

უსაფრთხოების წესის სიმბოლოები

უსაფრთხოების წესის სიმბოლოების მიზანია მიაქციოთ ყურადღება შესაძლო საფრთხეებს. ყურადღებით გაეცანით და შეისწავლეთ უსაფრთხოების წესის სიმბოლოები და მათი შესაბამისი განმარტებები. უსაფრთხოების წესის სიმბოლოების მინიმუმები თავისთავად არ ანეიტრალებს რაიმე საფრთხის არსებობის რისკს. მათ მიერ მოწოდებული ინსტრუქციები და გაფრთხილებები არ არიან შემთხვევის თავიდან აცილების სწორი პროცედურის შემცველები.

▲ გაფრთხილება: ხელსაწყოს გამოყენებამდე დაწვრილებით გაეცანით და შეისწავლეთ ყველა უსაფრთხოების წესი მომხმარებლის ამ ინსტრუქციაში, მათ შორის ყველა უსაფრთხოების წესის სიმბოლო როგორცაა „საშიშროება“, „გაფრთხილება“ და

„ყურადღება“. ქვემოთ ჩამოთვლილი ყველა ინსტრუქციის უგულებელყოფამ შესაძლოა გამოიწვიოს ელექტრული შოკი, ხანძარი და/ან მოგაყენოთ სერიოზული პირადი ზიანი.

სიმბოლოების მნიშვნელობა

▲ უსაფრთხოების შეტყობინების სიმბოლო: აღნიშნავს - „საშიშროება“, „გაფრთხილება“ ან „ყურადღება“. შესაძლოა გამოყენებულ იქნას სხვა სიმბოლოებთან ან პიქტოგრამებთან ერთად.



▲ გაფრთხილება: ელექტრული ხელსაწყოს გამოყენებისას შესაძლოა უცხო სხეულის თვალების მიდამოში მოხვედრა, რამაც შესაძლოა გამოიწვიოს თვალის მნიშვნელოვანი დაზიანება. ელექტრული ხელსაწყოს გამოყენებამდე აუცილებლად მოირგეთ უსაფრთხოების თვალსაფარი ან სათვალე მყარი თვალის დამცავებით და მთლიანი სახის ეკრანით. ჩვენ რეკომენდაციას ვუწევთ ფართო ხედვის არის მქონე უსაფრთხოების ნიღაბს სათვალეებთან ერთად ან სტანდარტულ გვერდითა ეკრანების მქონე უსაფრთხოების სათვალეებს.

უსაფრთხოების წესის ინსტრუქცია



ეს გვერდი აჩვენებს და აღწერს იმ უსაფრთხოების წესის სიმბოლოებს, რომლებიც შესაძლოა აღბეჭდილია მოცემულ პროდუქტზე. წაიკითხეთ, შეისწავლეთ და მიყევით ხელსაწყოს ყველა ინსტრუქციას მის აწყობამდე და ჩართვამდე.

KA

	უსაფრთხოების წიშანი	აღნიშნავს შესაძლო პირადი ზიანის საფრთხეს.
	გაეცანით მომხმარებლის ინსტრუქციას	დაზიანების რისკის შესამცირებლად მომხმარებელმა უნდა წაიკითხოს და გაეცნოს ხელსაწყოს მუშაობის ინსტრუქციას მის გამოყენებამდე.
	გაიკეთეთ თვალების დამცავი	ყოველთვის მორიგეთ უსაფრთხოების თვალსაფარი ან გვერდითა ეკრანების მქონე უსაფრთხოების სათვალე და მთლიანი სახის ეკრანი ხელსაწყოთი სარგებლობისას.
	გაიკეთეთ ყურების დამცავი	ყოველთვის გამოიყენეთ ბგერის დამზოზები (ყურის საცობები ან ყურსაცვამები), რათა დაიცვათ თქვენი სმენა.
	გაიკეთეთ თავის დამცავი საშუალება	გამოიყენეთ აპრობირებული მყარი ჩაფხუტი, რათა დაიცვათ თავის არე.
	ჩაიცვით დამცავი ხელთათმანები	დაიცავით თქვენი ხელები ხელთათმანებით, როდესაც ეხებით დანას ან დანის დამცავ ეკრანს. მოცურების საწინააღმდეგო, დამცავი ხელთათმანები აუშჯობესებენ ხელის მოჭიდებას და იცავენ თქვენს ხელებს.

	ჩაიცვით უსაფრთხოების დამცავი ფეხსაცმელი	ჩაიცვით მოცურების საწინააღმდეგო ფეხსაცმელი ხელსაწყოს გამოყენებისას.
	თიბვის სიგანე	ელექტრული სათიბის მაქსიმალური თიბვის სიგანე
	ძუის დიამეტრი	მთიბავი ნეილონის ძუის დიამეტრი
	წრიული დანის გამოყენება აკრძალულია	არ დაუყენოთ მრგვალი ფორმის საჭრელი დანები.
	მოარიდეთ სხვა ადამიანები	არ გამოიყენოთ წვიმაში ან დატოვოთ გარეთ წვიმის დროს.
	მოარიდეთ სხვა ადამიანები	დარწმუნდით რომ სხვა ადამიანები ან შინაური ცხოველები იმყოფებიან მინიმუმ 15 მ მოშორებით ელექტრო მთიბავით სარგებლობისას.
	არ მოათავსოთ ხელსაწყო წვიმის ქვეშ	არ გამოიყენოთ წვიმაში ან დატოვოთ გარეთ წვიმის დროს.
	CE	ხელსაწყო შეესაბამება ევროკავშირის მიერ წამოყენებულ რეგულაციებს.

KA

	WEEE	ელექტრული ხელსაწყოების უტილიზაცია არ უნდა მოხდეს საყოფაცხოვრებო ნარჩენებთან ერთად. წაიღეთ ხელსაწყო ავტორიზირებულ ნარჩენების გადამამუშავებელთან.
	ხმაური	გარანტირებული ხმის სიმძლავრის დონე. გარემოში ხმაურის გავრცელების დონე ევროკავშირის რეგულაციების შესატყვისია.
V	ვოლტი	ძაბვა
mm	მილიმეტრი	სიგრძე ან ზომა
cm	სანტიმეტრი	სიგრძე ან ზომა
kg	კილოგრამი	წონა

სამუშაო არეს უსაფრთხოება

- დაიცავით სამუშაო არის სისუფთავე და იქონიეთ კარგი განათება. ჩახერგილი ან ბნელი სამუშაო არე იწვევს ინციდენტებს.
- არ ამუშაოთ ელექტრული ხელსაწყო ჰაერში ფეთქებადი საშუალებების არსებობისას, როგორცაა აალებადი სითხეები, აირები ან მტვერი. ელექტრული ხელსაწყოები წარმოქმნიან ნაპერწკალს, რომელმაც შესაძლოა აანთოს მტვერი ან აირი.
- ელექტრული ხელსაწყოთი სარგებლობისას მთავრად მას ბავშვები და სხვა პირები. ყურადღების გაფანტვას შეუძლია გამოიწვიოს ხელსაწყოზე კონტროლის დაკარგვა.

პირადი უსაფრთხოება

- ხელსაწყო გამოყენებისას იყავით ფხიზლად, იმოქმედეთ დაკვირვებით და საღი აზრის გათვალისწინებით. არ გამოიყენოთ ხელსაწყო როდესაც ხარტ დაღლილი, ან ალკოჰოლის, მედიკამენტების ან ნარკოტიკების ზემოქმედების ქვეშ. ხელსაწყოთი სარგებლობისას მყისიერმა უყურადღებობამ შეიძლება მოგაყენოთ სერიოზული პირადი ზიანი.
- გამოიყენეთ პირადი დამცავი საშუალებები. ყოველთვის გაიკეთეთ თვალების დამცავი. შესაბამის სამუშაო პირობებში დამცავი საშუალებების გამოყენება, როგორცაა მტვრის საწინააღმდეგო ნიღაბი, მოცურების საწინააღმდეგო სპეც ფეხსაცმელი, მყარი ჩაფხუტი ან სმენის დამცავი, ამცირებს სამუშაო ტრამვეზს.
- უცაბედი ჩართვის აღკვეთა. დარწმუნდით რომ ჩამრთველი არის გამორთულ პოზიციამი ხელსაწყოს დენში და/ან აკუმულატორთან მიერთებამდე, ხელსაწყოს მაღლა აწევამდე ან ტარებამდე. ელექტრული ხელსაწყოების ტარება ჩამრთველის ღილაკზე დადებული თითით ან ხელსაწყოს დენში მიერთება, რომელსაც გააქტიურებული აქვს ჩართვის ღილაკი, იწვევს ინციდენტებს.

ელექტრული ხელსაწყო უსაფრთხოების ზოგადი მაჩვენებლები

⚠ გაფრთხილება: გაეცანით ამ ელექტრულ ხელსაწყოსთან დაკავშირებულ ყველა უსაფრთხოების მითითებას, ინსტრუქციას, ილუსტრაციას და სპეციფიკაციას. ქვემოთ ჩამოთვლილი ყველა ინსტრუქციის უგულვებელყოფამ შესაძლოა გამოიწვიოს ელექტრული შოკი, ხანძარი და/ან მოგაყენოთ სერიოზული ზიანი.

შეინახეთ ყველა მითითება და ინსტრუქცია სამომავლოდ გამოყენებისთვის.

ტერმინი „ელექტრული ხელსაწყო“ უსაფრთხოების ინსტრუქციაში შეესაბამება ქსელიდან (სადენით) ან აკუმულატორით (უსადენო) მიღებულ დენზე მომუშავე ელექტრულ ხელსაწყოს.

KA

- მოხსენით ნებისმიერი დამაგრებული მარეგულირებელი ხელსაწყო ან ქანჩის გასაღები ჩართვამდე. ელექტრული ხელსაწყოს მზრუნვე ნაწილზე დამაგრებულმა ქანჩის გასაღებმა ან სხვა მარეგულირებელმა შესაძლოა მოგაყენოთ პირადი ზიანი.
- არ გადაიხართ. ყოველთვის დაიცავით ზალანსი და მყარად იდექით ფეხზე. ეს გაძლევთ საშუალებას მოახდინოთ ხელსაწყოს უკეთესი კონტროლი მოულოდნელ სიტუაციებში.
- ჩაიცვით შესაბამისად. არ ჩაიცვით განიერი, ფრიალა ტანსაცმელი და ძვირფასეულობა. მოაცილეთ თქვენი თმა, ტანსაცმელი და ხელთათმანები მოძრავ ნაწილებს. განიერი, ფრიალა ტანსაცმელი, ძვირფასეულობა და თმა შესაძლოა ჩაითრიოს მოძრავმა ნაწილებმა.
- თუ არსებობს მტკვრის ან ნარჩენების შემგროვებელი საშუალებების შეერთების ადგილები, დარწმუნდით რომ ისინი სწორადაა დაკავშირებული და გამოყენებული. მტკვრისთვის განკუთვნილი საშუალებების გამოყენებამ შესაძლოა შეამციროს მასთან დაკავშირებული საფრთხეები.
- შეეცადეთ მსგავს ხელსაწყოებთან ხშირი მუშაობის გამოცდილებამ არ გამოიწვიოს თქვენი უზრუნველობა და არ გაუკეთოთ ხელსაწყოს უსაფრთხოების პრინციპებს იგნორირება. უგულისყურო საქციელმა წამის მეათედშიც კი შესაძლოა მოგიტანოთ სერიოზული ზიანი.

ელექტრული ხელსაწყოს გამოყენება და მოვლა

- არ დაატანოთ ძალა ხელსაწყოს. გამოიყენეთ სწორი ხელსაწყო თქვენი მიზნებისთვის. სწორი ხელსაწყო უკეთ და უფრო უსაფრთხოდ გააკეთებს იმ საქმეს, რომლისთვისაც განკუთვნილია იგი.
- არ გამოიყენოთ ხელსაწყო თუ ჩამრთველი არ რთავს ან თიშავს მას. ნებისმიერი ხელსაწყო, რომელიც ვერ კონტროლდება ჩამრთველით, სახიფათოა და საჭიროებს შეკეთებას.

- გათიშული ელექტრული ხელსაწყოები შეინახეთ ზავშეებისთვის მიუწვდომელ ადგილას და არ მისცეთ ხელსაწყოს გამოყენების უფლება მისით სარგებლობის არმცოდნე ან მის ინსტრუქციაში ჩაუხედავ პირებს. ელექტრული ხელსაწყოები გამოუცდელი პირების ხელში სახიფათოა.
- მოუარეთ ელექტრულ ხელსაწყოებს და მის ნაწილებს. შეამოწმეთ მოძრავი და შემაკავშირებელი ნაწილების ურთიერთწინააღმდეგობა, ნაწილების დაზიანება და სხვა მდგომარეობა, რომელმაც შეიძლება გავლენა იქონიოს ხელსაწყოს მუშაობაზე. დაზიანების შემთხვევაში შეაკეთეთ ხელსაწყო გამოყენებამდე. ბევრი ინციდენტი გამოწვეულია ცუდად მოვლილი ელექტრო ხელსაწყოების გამო.
- მჭრელი ხელსაწყოები იქონიით სუფთა და ზასრ მდგომარეობაში. სწორად მოვლილი ზასრი დანის პირის მქონე მჭრელი ხელსაწყოების გახლართვა ნაკლებად ალბათურია და მათი კონტროლიც გაადვილებულია.
- გამოიყენეთ ეს ხელსაწყო, მისი ნაწილები, მათი დამჭერები და ა.შ. ინსტრუქციის მიხედვით, სამუშაო გარემოს და სამუშაოს ტიპის გათვალისწინებით. ელექტრული ხელსაწყოს არადანიშნულებისამებრ გამოყენებამ შესაძლოა შექმნას სახიფათო სიტუაცია.
- იქონიით სახელურები და სხვა ხელის ჩასაჭიდი ზედაპირები მშრალ და სუფთა, მათ შორის ცხიმისა და ზეთისგან თავისუფალ მდგომარეობაში. სრიალა სახელურები და ხელის ჩასაჭიდი ზედაპირები არ იძლევა ხელსაწყოს უსაფრთხო მოპყრობისა და კონტროლის საშუალებას მოულოდნელ სიტუაციებში.
- მორიდდეთ სადენები ხელსაწყოს სამუშაო არეს. მუშაობისას სადენი შესაძლოა ხედიდან დამალული იყოს და შემთხვევით დაზიანდეს ხელსაწყოს მიერ.

KA

აკუმულატორის გამოყენება და მოვლა

- დატენეთ მხოლოდ მწარმოებლის მიერ მითითებული დამტენი მოწყობილობით. დამტენმა მოწყობილობამ, რომელიც თავსებადია ერთი ტიპის აკუმულატორთან, შესაძლოა წარმოშვას ხანძრის გაჩენის რისკი სხვა აკუმულატორზე გამოყენებისას.
- გამოიყენეთ ელექტრული ხელსაწყოები მხოლოდ სპეციალურად აღნიშნული აკუმულატორებით. სხვა აკუმულატორების გამოყენებამ შესაძლოა წარმოშვას ფიზიკური დაზიანების ან ხანძრის რისკი.
- როდესაც აკუმულატორს არ იყენებთ, მოაცილეთ იგი ლითონის საგნებს, როგორცაა ქაღალდის კლავი, მონეტა, გასაღები, ლურსმანი, ხრახნი ან სხვა მცირე ზომის ლითონის საგნები, რომელთაც შეუძლიათ აკუმულატორის კონტაქტების დამოკვლევა. აკუმულატორის კონტაქტების დამოკვლევამ შესაძლოა გამოიწვიოს დამწვრობა ან ხანძარი.
- არასწორი მოპყრობის შემთხვევაში სითხემ შესაძლოა გამოჟონოს აკუმულატორიდან; მოერიდეთ მასთან შეხებას. თუ შემთხვევით შეეხეთ სითხეს, ჩამოიბანეთ წყლით. თუ სითხე მოხვდა თვალებში, მიმართეთ ექიმს. აკუმულატორიდან გამოჟონილმა სითხემ შესაძლოა გამოიწვიოს გაღიზიანება ან დამწვრობა.
- არ გამოიყენოთ აკუმულატორი ან ხელსაწყო, რომელიც დაზიანებული ან გადაკეთებულია. დაზიანებულმა ან გადაკეთებულმა აკუმულატორმა შესაძლოა გამოავლინოს არაპროგნოზირებადი ქვევა, რამაც შეიძლება გამოიწვიოს ხანძარი, აფეთქება ან პირადი ზიანი.
- არ მოათავსოთ აკუმულატორი ან ხელსაწყო ცეცხლში ან მაღალ ტემპერატურულ გარემოში. 100 °C-ზე მაღალმა ტემპერატურამ შესაძლოა გამოიწვიოს აფეთქება.

- მიყევით დატენვის ინსტრუქციებს და არ დატენოთ აკუმულატორი ინტრუქციაში მითითებული ტემპერატურული დიაპაზონის გარეთ. არასწორი დატენვა ანდა აკუმულატორის დატენვა ინტრუქციაში მითითებული ტემპერატურული დიაპაზონის გარეთ ზრდის ხანძრის რისკს.

ტექნიკური სერვისი

- ხელსაწყოს ტექნიკური სერვისი შეასრულებინეთ კვალიფიციურ პირს მხოლოდ იდენტური სათადარიგო ნაწილების გამოყენებით. მსგავსი პროცედურა უზრუნველყოფს ხელსაწყოს უსაფრთხო მუშაობას.
- არასოდეს შეაკეთოთ დაზიანებული აკუმულატორები. აკუმულატორების სერვისი მხოლოდ მწარმოებლის ან ავტორიზირებული სერვისის მომწოდებლის მიერ არის შესაძლებელი.

⚠ გაფრთხილება: გაეცანით ამ ელექტრულ ხელსაწყოსთან დაკავშირებულ ყველა უსაფრთხოების მითითებას, ინსტრუქციას, ილუსტრაციას და სპეციფიკაციას. ქვემოთ ჩამოთვლილი ყველა ინსტრუქციის უგულებელყოფამ შესაძლოა გამოიწვიოს ელექტრული შოკი, ხანძარი და/ან მოგაყენოთ სერიოზული ზიანი. შეინახეთ ყველა მითითება და ინსტრუქცია სამომავლოდ გამოყენებისთვის.

შეინახეთ ყველა მითითება და ინსტრუქცია სამომავლოდ გამოყენებისთვის.

ტრენინგი

- ყურადღებით წიკითხეთ ინსტრუქციები. შეისწავლეთ ხელსაწყოს კონტროლის ღილაკები და მათი მართებული გამოყენების გზა.
- არასდროს მისცეთ ხელსაწყოს გამოყენების უფლება ამ ინსტრუქციების არმცოდნე პირებს ან ბავშვებს. ადგილობრივმა კანონმდებლობამ შესაძლოა შეზღუდოს ხელსაწყოს მომხარებლის ასაკი.
- გაითვალისწინეთ რომ ოპერატორი ან მომხმარებელი პასუხისმგებელია იმ

შემთხვევებზე ან საფრთხეებზე რაც შესაძლოა წარმოექმნას სხვა პირებს ან მათ ქონებას.

მომზადება

- არასოდეს გამოიყენოთ ხელსაწყო თუ სხვა პირები, განსაკუთრებით ბავშვები ან შინაური ცხოველები არიან ახლოს.
- ყოველთვის გამოიყენეთ თვალის დამცავი საშუალებები და მყარი ფეხსაცმელი ხელსაწყოთი სარგებლობისას.
- ხელსაწყოსა და სხვა პირებს შორის დისტანცია უნდა იყოს მინიმუმ 15 მეტრი.
- არასდროს გამოიყენოთ ხელსაწყო, როდესაც ბრძანდებით დადლილი, იმყოფებით ავად ან ალკოჰოლის ან სხვა ნარკოტიკების გავლენის ქვეშ.

ექსპლუატაცია

- ხელსაწყოთი სარგებლობა ნებადართულია მხოლოდ დღის სინათლეზე ან კარგი ხელოვნური განათების პირობებში.
- არასოდეს გამოიყენოთ ხელსაწყო დაზიანებული დამცავებით ან ეკრანებით, ან დამცავებისა და ეკრანების გარეშე.
- მოტორი ჩართეთ მხოლოდ მაშინ, როდესაც ხელები და ფეხები მოშორებულია მთიბავ ნაწილებს.
- ყოველთვის გამორთეთ ხელსაწყო დენის წყაროდან (ან მოხსენით აკუმულატორი),
 - როდესაც სტოვებთ ხელსაწყოს ყურადღების გარეშე;
 - გაჭედილი ობიექტებისაგან სათიბის გაწმენდამდე;
 - ხელსაწყოს შემოწმებამდე, გაწმენდამდე ან ჩართვამდე.
 - უცხო ობიექტზე შეჯახების შემდეგ;
 - როდესაც მანქანა იწყებს უჩვეულო ვიბრაციას.
- დაიცავით ხელები და ფეხები მთიბავი ნაწილებისგან გამოწვეული დაზიანებისაგან.
- ყოველთვის დარწმუნდით რომ საჭაეროები ნარჩენებისგან ცარიელია.

ექსპლუატაცია და შენახვა

- გამორთეთ ხელსაწყო დენის წყაროდან (ან მოხსენით აკუმულატორი), სანამ შეუდგებოდეთ ხელსაწყოს ტექნიკური სერვისის ან წმენდის პროცესს.
- გამოიყენეთ მხოლოდ მწარმოებლის მიერ რეკომენდირებული ნაწილები ან აქსესუარები.
- გაუკეთეთ ხელსაწყოს რეგულარული შემოწმება და ინსპექტირება. ხელსაწყოს შეკეთება მიანდეთ მხოლოდ ავტორიზირებულ ხელოსანს.
- შეინახეთ ხელსაწყო ბავშვებისთვის მიუწვდომელ ადგილას.

სხვა უსაფრთხოების გაფრთხილებები

- მოერიდეთ საშიშ გარემო პირობებს - არ გამოიყენოთ სათიბი ნესტიან ან სველ ფერდობზე.
- დამცავი ეკრანები იქონიეთ ხელსაწყოზე შესაბამის ადგილას და მუშა მდგომარეობაში.
- მორიდდით ხელები და ფეხები მჭრელ ნაწილებს.
- ფიზიკური ზიანის რისკის შესამცირებლად, არასოდეს ამუშაოთ ხელსაწყო კიბეზე ან სხვა არამყარი საყრდენის მქონე ობიექტზე დგომისას. არასოდეს დაიჭიროთ ხელსაწყოს მჭრელი ნაწილი წელს ზევით.
- შეამოწმეთ მჭრელი ნაწილი რეგულარული მცირე ინტერვალებით ხელსაწყოთი სარგებლობისას, ან დაუყოვნებლივ, თუ წარმოიქმნა მნიშვნელოვანი ცვლილება თიბვის პროცესის განმავლობაში.
- საუკეთესო შედეგის მისაღებად, თქვენი აკუმულატორი დატენეთ 5°C-დან 40°C-მდე ტემპერატურის პირობებში. არ შეინახოთ ხელსაწყო გარეთ ან ავტომობილში.
- თუ თქვენ სხვა პიროვნება მოგიახლოვდათ, დაუყოვნებლივ გააჩერეთ მოტორი და საკრეპი მოწყობილობა.

KA

- გააფრთხილეთ მომხმარებელი დანის ბიძგის საფრთხის შესახებ (მხოლოდ 3-პილიანი დანის შემთხვევაში).
- დანის ბიძგი შესაძლოა მოხდეს როდესაც მბრუნავი დანა შეეხება ისეთ საგანს, რომელსაც მყისიერად ვერ მოჭრის.
- დანის ბიძგი შესაძლოა იყოს იმდენად ძლიერი რომ, მოახდინოს ხელსაწყოს და/ან მომხმარებელის გაწევა ნებისმიერი მიმართულებით და შესაძლოა, ასევე გამოიწვიოს ხელსაწყოზე კონტროლის დაკარგვა.
- დანის ბიძგი შესაძლოა მოხდეს გაფრთხილების გარეშე თუ დანა დაბრკოლდება, გაჩერდება ან გაიხლართება.
- დანის ბიძგი უფრო სავარაუდოა მოხდეს ისეთ არეში, სადაც რთულია მოჭრადი საგნების დანახვა.
- არ გაუკეთოთ დანა მოწყობილობას აუცილებელი ნაწილების შესაბამისი დამაგრების გარეშე. სათანადო ნაწილების გამოყენების უგულვებელყოფამ შესაძლოა გამოიწვიოს დანის მოწყვეტა და სერიოზულად დაზიანოს მომხმარებელი და/ან გვერდზე მდგომი ადამიანი. გადააგდეთ დანები, რომლებიც მოდუნულია, აქვს შეცვლილი ფორმა, გაბზარულია, გატეხილია ან დაზიანებულია სხვაგვარად. გამოიყენეთ გალესილი დანა. ზღაგვი დანა მეტად დაბრკოლდება და მიიღებს ბიძგს (მხოლოდ 3-პილიანი დანის გამოყენების შემთხვევაში).
- ინერჯით მბრუნავმა დანამ/ძუამ შესაძლოა მოგაყენოთ ფიზიკური ზიანი მოტორის ან ტრიგერის გათიშვის შემდეგაც. სათანადოდ აკონტროლეთ ხელსაწყო სანამ მბრუნავი დანა/ძუა ბოლომდე არ გაჩერდება.
- აკუმულატორიანი ელექტრული ხელსაწყოების ქსელში შეერთება არ არის აუცილებელი; ისინი ყოველთვის მუშა მდგომარეობაში არიან. გაითვალისწინეთ შესაძლო საფრთხეები მაშინაც კი როცა ხელსაწყო არ არის გამოყენებაში. გამოიჩინეთ სიფრთხილე როდესაც ახდენთ ხელსაწყოს შეკეთებას ან ტექნიკურ სერვისს.
- არ გარეცხოთ ხელსაწყო წყლის მილით; მოერიდეთ მოტორში და ელექტრულ შეერთებებში წყლის მოხვედრას.
- თუ ისეთი სიტუაცია შეიქმნა, რომელიც არაა აღწერილი ინსტრუქციაში, გამოიყენეთ საღი აზრი და მიიღეთ ფრთხილი გადაწყვეტილებები. მიმართეთ EGO-ს კლიენტთა მომსახურების ცენტრს დახმარებისთვის.
- გამოიყენეთ მხოლოდ ის აკუმულატორის ბლოკები და დამტენები, რომლებიც მითითებულია სურ. A-ში

შეინახეთ ეს მომხმარებლის ინსტრუქცია!

სპეციფიკაციები

მთიბავი მექანიზმი	მთიბავის თავაკი
ძუის დიამეტრი	2.4 მმ სისქის ნეილონის დაგრებილი ძუა
თიბვის სიგანე	38 სმ
დაუტვირთავი სიჩქარე	5000/6000 ბრ/წთ
წონა (აკუმულატორის გარეშე)	1.59 კგ
რეკომენდირებული საექსპლუატაციო ტემპერატურა	0°C-40°C
რეკომენდირებული დასაწყობების ტემპერატურა	-20°C-70°C
გაზომილი ხმის სიმძლავრის დონე L_{WA}	94.6 dB(A) K=1.80 dB(A)
ბგერის წნევის დონე მომხმარებლის ყურზე L_{Pa}	83.2 dB(A) K= 3 dB(A)

გარანტირებული ხმის სიმძლავრის დონე L_{WA} (გაზომილი 2000/14/EC რეგულაციის მიხედვით)	96 dB(A)	
ვიბრაციის შეფასება a_h	რეგულირებადი წინა სახელური	1.1 მ/წმ ² K=1.5 მ/წმ ²
	უკანა სახელური	1.4 მ/წმ ² K=1.5 მ/წმ ²

- მითითებული პარამეტრები ტესტირებული და გაზომილია PH1400E ელექტრული თავის საშუალებით.
- მითითებული ვიბრაციის სრული მნიშვნელობა გაზომილია სტანდარტული ტესტირების მეთოდით და შესაძლოა გამოყენებულ იქნას ერთი ხელსაწყოს მეორესთან შედარებისას.
- მითითებული ვიბრაციის სრული მნიშვნელობა ასევე შესაძლოა გამოყენებულ იქნას ზემოქმედების პირველადი შეფასებისას.

შენიშვნა: ელექტრული ხელსაწყოს ვიბრაციის ემისია გამოყენებისას შესაძლოა განსხვავდებოდეს მითითებული ოდენობისგან; მომხმარებელმა ხელსაწყოთი სარგებლობისას საჭიროა გამოიყენოს ხელთათმანები და ყურის დამცავი საშუალებები.

შეფუთვის ჩამონათვალი

ნაწილის დასახელება	რაოდენობა
ელექტრო სათიბი მიმაგრება	1
დამცავი ეკრანი	1
ქანჩის გასაღები	1
მრავალფუნქციური ქანჩის გასაღები	1
მომხმარებლის ინსტრუქცია	1

სათიბი ძუის რეკომენდაციებისთვის გთხოვთ ეწვიოთ ვებგვერდს egopowerplus.

com ან იხილოთ EGO-ს პროდუქციის კატალოგი.

აღწერა

შეისწავლეთ თქვენი ელექტრო სათიბი მიმაგრება (ნახ. A)

1. ტორსული ხუფი
2. ელექტრო სათიბის ტარი
3. სათიბი ძუა
4. სათიბის თავაკი
5. გამშვები ღილაკი
6. სათიბის დანა
7. დამცავი ეკრანი
8. ქანჩის გასაღები
9. მრავალფუნქციური ქანჩის გასაღები

⚠ გაფრთხილება: არ გამოიყენოთ ხელსაწყო მჭიდროდ დამაგრებული დამცავი ეკრანის გარეშე. დამცავი ეკრანი ყოველთვის უნდა იყოს დამაგრებული ხელსაწყოზე, რათა დაიცვას მომხმარებელი.

ანყოფა

⚠ გაფრთხილება: თუ რომელიმე ნაწილი დაზიანებულია ან დაკარგულია, არ ისარგებლოთ ხელსაწყოთი სანამ ყველა ნაწილი არ შეიცვლება. ხელსაწყოთი სარგებლობას დაზიანებული ან დანაკლისი ნაწილებით შესაძლოა მოჰყვეს სერიოზული პირადი ზიანი.

⚠ გაფრთხილება: არ სცადოთ ხელსაწყოს გადაკეთება ან ისეთი ნაწილების გამოყენება, რომლებიც არაა რეკომენდირებული ამ ელექტრო სათიბისთვის. ნებისმიერი მსგავსი ცვლილება ან მოდიფიკაცია არის ხელსაწყოს არასათანადო გამოყენება და შესაძლოა წარმოქმნას სახიფათო მდგომარეობა, რომელმაც შესაძლოა გამოიწვიოს სერიოზული პირადი ზიანი.

⚠ გაფრთხილება: არ შეუერთოთ ელექტრულ თავს, სანამ არ დაასრულებთ აწყობას ბოლომდე. ამ ინსტრუქციის უგულვებელყოფამ შესაძლოა გამოიწვიოს

KA

უცაბედი ჩართვა და მოგიტანოთ სერიოზული პერსონალური ზიანი.

დამცავი ეკრანის დამონტაჟება

▲ გაფრთხილება: ყოველთვის გამოიყენეთ ხელთათმანები, როდესაც ამონტაჟებთ ან ცვლით დამცავ ეკრანს. უფრთხილდით დამცავ ეკრანზე არსებულ დანას და დაიცავით ხელეები, რათა არ დაიშავოთ ისინი დანის პირზე.

მოუშვით და მოხსენით ორი ხრახნი დამცავ ეკრანს (ნახ. C), გაუსწორეთ დამცავ ეკრანზე არსებული ხერხელები ასაწყობ ხერხელებს და დაამაგრეთ ეკრანი ტარის ფუძეზე ორი ხრახნითა და შუასადებით (ნახ. D).

დარწმუნდით რომ დამცავი ეკრანი დამაგრებულია, როგორც ნაჩვენებია ნახ. C და D-ზე, ნებისმიერი სხვაგვარი დამაგრება არის სახიფათო!

ხელსაწყოს თავზე ელექტრო სათიბი მიმაგრების დამონტაჟება

ელექტრო სათიბი მისამაგრებელი მოწყობილობა განკუთვნილია EGO PH1400E ელექტრულ თავთან მუშაობისთვის.

იხილეთ „ხელსაწყოს თავზე მიმაგრებული მოწყობილობის დამონტაჟება“ სექცია PH1400E ელექტრული თავის მომხმარებლის ინსტრუქციაში.

ექსპლუატაცია

▲ გაფრთხილება: შეეცადეთ მსგავსი პროდუქტის გამოყენების გამოცდილებამ არ გამოიწვიოს თქვენი უფულისყურობა. დაიმახსოვრეთ რომ უფულისყურობამ წამის მეათედშიც კი შესაძლოა მოგიტანოთ სერიოზული ზიანი.

▲ გაფრთხილება: ყოველთვის მოირგეთ გვერდითა ეკრანების მქონე უსაფრთხოების სათვალე და სმენის დამცავი საშუალება. ამ ინსტრუქციის უგულებელყოფამ შესაძლოა გამოიწვიოს სხვადასხვა სხეულის თვალში მოხვედრა და სხვა შესაძლო სერიოზული ზიანი.

გამოყენებები

თქვენ შეგიძლიათ გამოიყენოთ ხელსაწყო ქვემოთ ჩამოთვლილი მიზნებისთვის:

- ბალახის და სარეველას მოთიბვა ტერასის, ღობის ან აივნის გარშემო.

შენიშვნა: ხელსაწყოს გამოყენება შესაძლებელია მხოლოდ დანიშნულებისამებრ. სხვა ნებისმიერი სარგებლობა ჩაითვლება როგორც არამიზნობრივი გამოყენების შემთხვევა.

ყოველი გამოყენების წინ შეამოწმეთ დაზიანებული/გაცვეთილი ნაწილების არსებობა.

შეამოწმეთ სათიბის თავაკი, დამცავი ეკრანი და რეგულირებადი წინა სახელური, შეცვალეთ ნებისმიერი ნაწილი, რომელიც გაზარულია, გაღუნულია, აქვს შეცვლილი ფორმა ან დაზიანებულია სხვაგვარად.

დამცავ ეკრანის კიდესთან მდებარე მთიბავის დანა შესაძლოა დაჩლუნგდეს დროთა განმავლობაში რეკომენდირებულია მისი გაღესვა პერიოდულად ქლიბის საშუალებით ან ახალი დანის დამონტაჟება.

▲ გაფრთხილება: ყოველთვის გამოიყენეთ ხელთათმანები, როდესაც ამონტაჟებთ ან ცვლით დამცავ ეკრანს ან ლესავთ ან ცვლით დანას. დაიმახსოვრეთ დამცავ ეკრანზე მიმაგრებული დანის პოზიცია და დაიცავით ხელი გაჭრისგან.

▲ გაფრთხილება: სერიოზული პერსონალური ზიანისგან თავის არიდების მიზნით მოხსენით აკუმულატორი ელექტრულ თავს ტექნიკური სერვისის, გაწმენდის, მიმაგრების შეცვლის ან ნარჩენი ნივთიერების მოცილების დროს.

ელექტრო სათიბი მიმაგრების გამოყენება ელექტრულ თავზე

▲ გაფრთხილება: ჩაიცვით შესაბამისად, რათა შეამციროთ დაზიანების რისკი ხელსაწყოთი სარგებლობისას. არ ჩაიცვათ განიერი, ფრიალა ტანსაცმელი და ძვირფასეულობა. მოირგეთ თვალის და თვალის/სმენის დამცავი საშუალებები. ჩაიცვით სამუშაო გრძელი შარვალი, ჩექმა და ხელთათმანები. დაუშვებელია გეცვათ მოკლე შორტი, სანდლები ან იაროთ

ფეხშიშველმა.

▲ გაფრთხილება: გაასუფთავეთ სამუშაო არე მუშაობის დაწყებამდე. მოაცილეთ ყველა ობიექტი სამუშაო არეს როგორცაა ქვები, დამტვრეული მინა, ლურსმანი, სადენი ან ბაწარი, რომელიც შესაძლოა ჩაიყოლოს ან დაეხვოს მთიბავ ნაწილს. მთარიდეთ სამუშაო ადგილს ბავშვები, სხვა პირები და შინაური ცხოველები. დარწმუნდით რომ ბავშვები, სხვა ადამიანები ან შინაური ცხოველები იმყოფებიან მინიმუმ 15 მ მოშორებით; არსებობს რისკი რომ უცხო სხეულები მაღალი სიჩქარით გვერდზე მდგომი პირებისკენ გაიტყორცნონ. გვერდზე მდგარი პირებისთვის რეკომენდირებულია თვალის დამცავი საშუალებების გამოყენება. თუ თქვენ სხვა პიროვნება მოვახლოვდათ, დაუყონებლივ გააჩერეთ მოტორი და სათიბი მოწყობილობა.

უსაფრთხო და უკეთესი მოხმარებისთვის, გადაიკიდეთ ჩამოსაკიდი ღვედი მხარზე. დაარეგულირეთ ღვედი კომფორტულ სამუშაო პოზიციაში. დაიჭირეთ ელექტრო სათიბი ორივე ხელით, მოათავსეთ ერთი ხელი უკანა სახელურზე, ხოლო მეორე ხელი - წინა სახელურზე. მუშაობისას ორივე ხელი მჭიდროდ მოკიდეთ ხელსაწყოს. ელექტრო სათიბი დაიჭირეთ კომფორტულ მდგომარეობაში, უკანა სახელურით დაახლოვებით ბარძაყის დონეზე. ელექტრო სათიბის თავაკი უნდა იყოს მიწის პარარელური ისე რომ ეხებოდეს სათიბ მცენარეებს მოხმარებლის გადახრის გარეშე (ნახ. B).

▲ გაფრთხილება: მხრის ღვედი ასევე წარმოადგენს ხელსაწყოს სწრაფად მოხსნის საშუალებას სახიფათო სიატუაციაში. როდესაც ხდება გაუთვალისწინებელი შემთხვევა, მაშინვე მოხსენით ღვედი მხრიდან, მიუხედავად იმისა თუ რომელ მხარზე მდებარეობს იგი.

ყოველი გამოყენების შემდეგ გაასუფთავეთ სათიბი.

იხილეთ სექცია „ექსპლუატაცია“ გაწმენდის ინსტრუქციებისთვის.

ხელსაწყოს ჩასართავად/გამოსართავად

იხილეთ სექცია „ელექტრული თავის ჩართვა/გამორთვა“ PH1400E ელექტრული თავის მომხმარებლის ინსტრუქციაში.

სათიბი ძუის სიგრძის ცვლილება

სათიბის თავაკი აძლევს მომხმარებელს საშუალებას გაზარდოს სათიბის ძუის სიგრძე მოტორის გაუჩერებლად. როდესაც ძუა იცვითება და წყდება, დამატებითი ძუის სიგრძის გამოშვება შესაძლებელია სათიბის თავაკის მიწაზე რბილი დარტყმით ხელსაწყოთი სარგებლობისას (ნახ. E).

შენიშვნა: ძუის გამოშვება მით უფრო გართულდება, რაც ხვიაზე მისი სიგრძე მოკლდება.

▲ გაფრთხილება: არ მოხსნათ ან შეცვალოთ ძუის საჭრელი დანის კონსტრუქცია. საჭრელი ძუის დიდი სიგრძე გამოიწვევს მოტორის გადახურებას, რამაც შესაძლოა მოგაყენოთ სერიოზული ზიანი.

ძუის გამოცვლა

შენიშვნა: ყოველთვის გამოიყენეთ რეკომენდირებული ნეილონის სათიბი ძუა, რომლის დიამეტრი არ აღემატება 2.4 მმ-ს. სხვა ტიპის ძუის გამოყენებამ შესაძლოა გამოიწვიოს სათიბის გადახურება და დაზიანება.

▲ გაფრთხილება: არასოდეს გამოიყენოთ მავთული, სხვა მეტალის ჩანართიანი ზონარი ან თოკი და სხვ. ესენი შესაძლოა გაწყდეს და წარმოქმნას სახიფათო გამოტყორცნილი სხეულები.

1. მოხსენით აკუმულატორი
2. მოხსენით დარჩენილი ძუა საჭიროების შემთხვევაში.
3. მოჭერით 4 მ სიგრძის სათიბი ძუა. ჩასვით ძუა ხვრელში არსებულ სამაგარ სიღრუეში (ნახ. F). შეიყვანეთ და ამოქაჩეთ ძუა მეორე მხრიდან, სანამ კოჭის ორივე მხარეს თანაბარი რაოდენობის ძუა არ გამოჩნდება.
4. დააჭირეთ და დაატრიალეთ ქვედა ხუფი ისრის მიმართულებით, რათა დაახვიოთ ძუა კოჭაზე სანამ დაახლოვებით 14 სმ სიგრძის ძუა არ

KA

გამოჩნდება ორივე მხარეს (ნახ. G).

5. დააჭირეთ ქვედა ხუფს დაბლა ძუაზე მოქაჩვისას, რათა მანუალებად გამოწიოთ ძუა და შემოაწიოთ სათიბის თავაკის ჯეროვანი აწყობა.

როდესაც მჭრელი ძუა წყდება და სათიბის თავაკზე დაჭრით ძუა არ გამოდის, მიყევით შემდეგ ინსტრუქციებს:

1. მოხსენით აკუმულატორი.
2. დააჭირეთ ზედა ხუფზე არსებულ გამშვებ ღილაკებს და მოხსენით ქვედა ხუფის ამოქაჩვით (ნახ. H და I).
3. მოხსენით ძუა კოჭას.
4. ერთი ხელით დააჭირეთ ზედა ხუფი, ხოლო მეორეთი - ქვედა ხუფი და გაუსწორეთ ზედა ხუფზე არსებული გამშვები ღილაკები ქვედა ხუფზე არსებულ ნასვერტებს (ნახ. J); დააჭირეთ ხელისგულით ქვედა ხუფს სანამ ღილაკები არ ჩაჯდება ზედა ხუფში.
5. მიყევით ინსტრუქციებს სექციაში „ძუის გამოცვლა“, რათა ხელახლა დაახვიოთ ძუა.

როდესაც ხელსაწყო უნდა გამოვიყენოთ ბუჩქის საკრეჭად, მიყევით სათიბი თავაკის დაშლის ინსტრუქციებს, როგორც ნაჩვენებია ნახ. L და M.

ექსპლუატაცია

▲ გაფრთხილება: ხელსაწყოს შემოწმებამდე, გაწმენდამდე და სერვისამდე, გააჩერეთ მოტორი, დაელოდეთ ყველა მოძრავი ნაწილის გაჩერებას და მოხსენით აკუმულატორი. ჩამოთვლილი ინსტრუქციების უგულვებელყოფამ შესაძლოა გამოიწვიოს სერიოზული ფიზიკური ან მატერიალური ზიანი.

გაფრთხილება: ტექნიკური სერვისისას გამოიყენეთ მხოლოდ იდენტური სათადარიგო ნაწილები. სხვა ნებისმიერი ნაწილის გამოყენებამ შესაძლოა შექმნას საფრთხე ან გამოიწვიოს ხელსაწყო დაზიანება. ხელსაწყო უსაფრთხოდ და გამართულად მუშაობისთვის საჭიროა მისი ყველა შეკეთება, გარდა ინსტრუქციაში მოცემული მოვლის წესებში აღწერილი პროცედურებისა, უნდა შესრულდეს კვალიფიციური სერვისის ტექნიკოსის მიერ.

ზოგადი მოვლის წესი

მოერიდეთ გამხსნელების გამოყენებას ხელსაწყოს პლასტმასის ნაწილებს გაწმენდისას. უმეტესობა პლასტმასები ადვილად ზიანდება მათზე გამხსნელების გამოყენების შედეგად. გამოიყენეთ სუფთა ტილო ტალახის, მტვრის, ზეთის, ცხიმის და სხვ. მოსაცილებლად.

ხელსაწყო გაწმენდის წესი

- მოაცილეთ ბალახი, რომელიც დახვეულია მოტორის ლილვსა და სათიბის თავაკზე.
- გამოიყენეთ მცირე ფუნჯი ან პატარა მტვერსასრული რათა გაწმინდოთ ხელსაწყო საპეროები ბუდის უკან მხარეს.
- გაწმინდეთ ხელსაწყო ნოტიო ქსოვილით და რბილი სარეცხი საშუალებით.
- არ გამოიყენოთ ძლიერი გამწმენდი საშუალებები პლასტმასის ბუდეზე ან სახელურზე. ისინი შესაძლოა დაზიანდეს ისეთი არომატიზატორებით, როგორცაა ნაძვის ან ლიმონის ზეთი, ან ნავთის ტიპის გამხსნელი საშუალებებით. სინესტემ ასევე შეიძლება შექმნას ელექტრული შოკის საფრთხე. რბილი, მშრალი ქსოვილით მოწმინდეთ ხელსაწყო ნებისმიერი ნესტი,

გადაცემათა კოლოფის კბილანების შეზეთვა

გადაცემათა კოლოფში არსებული კბილანები საჭიროებენ პერიოდულ შეზეთვას სპეციალური საპოხით. შეამოწმეთ გადაცემათა კოლოფის შეზეთვის დონე ექსპლუატაციის ყოველ 50 საათთან პერიოდში კოლოფის გვერდითა მხარეს მოთავსებული დამლუქავი ხრახნის მოხსნით.

თუ კბილანების გვერდებზე საპოხი მასალა არ სჩანს, მიყევით ქვემოთ მოცემულ ინსტრუქციას და შეავსეთ გადაცემათა კოლოფის სივრცე 3/4-ზე საპოხი მასალით.

ბოლომდე არ გაავსოთ გადაცემათა კოლოფი.

1. დაიჭირეთ ელექტრო სათიბი გვედულად იმგვარად რომ დამლუქავი ხრახნი აღმოჩნდეს ზედა მხარეს .
2. გამოიყენეთ არსებული მრავალფუნქციური ქანჩის გასაღები, რათა მოუშვათ და მოხსნათ დამლუქავი ხრახნი.
3. გამოიყენეთ ზეთის შპრიცი (არ არის კომპლექტში), რათა შეიყვანოთ საპოხი მასალა ხრახნის ნასვრეტში; არ გადააჭარბოთ მოცულობის 3/4-ზე მეტს.
4. საპოხის შეყვანის შემდეგ დაუჭირეთ დამლუქავი ხრახნი.

ხელსაწყო შენახვის წესი

მოხსენით აკუმულატორი ელექტრო სათიბს. საფუძვლიანად გაწმინდეთ ხელსაწყო შენახვამდე.

თუ ელექტრო სათიბი მიმაგრება მოხსნილია ელექტრული თავიდან და შენახულია ცალკე: მოარგეთ მიმაგრების ტარის ბოლოს ხუფი, რათა აიცილოთ თავიდან ქუჭყის მოხვედრა სამაგრ ქუროში.

შეინახეთ ხელსაწყო მშრალ, კარგად განიავებად ადგილას ჩაკეტილ და მაღალ სათავსოში, ბავშვებისთვის მიუწვდომელ ადგილას. არ შეინახოთ ხელსაწყო სასუქის, ბენზინის და სხვა ქიმიური ნივთიერებების სიახლოვეს.

გარემოს დაცვა



არ მოახდინოთ ელექტრული მოწყობილობის, დამტენის და აკუმულატორის / მისი ბატარეების მოთავსება საყოფაცხოვრებო ნაგავში!

ევროკავშირის 2012/19/EU რეგულაციის მიხედვით, ელექტრული და ელექტრონული ხელსაწყოები, რომლებიც აღარ გამოიყენება, ასევე 2006/66/EC რეგულაციის მიხედვით, დეფექტური ან გამოყენებული აკუმულატორები/ბატარეები, უნდა შეგროვდეს ცალკეულად.

ელექტრული მოწყობილობების ნაგავსაყრელზე მოთავსებისას, სახიფათო ნარჩენები შესაძლოა გაიჟონოს გრუნტის წყლებში და მოხვდეს საკვებ ჯაჭვში, რამაც შესაძლოა დააზიანოს თქვენი ჯანმრთელობა და კეთილდღეობა.



გაუმართაობის დიაგნოსტიკა

პრობლემა	მიზეზი	გადაჭრის გზა
სათიბი არ ირთვება.	<ul style="list-style-type: none">■ აკუმულატორი არ არის შეერთებული ელექტრულ თავზე.■ ელექტრულ თავსა და აკუმულატორს შორის არ არის ელექტრული კონტაქტი.■ აკუმულატორი დაცლილია.■ ჩამკეტი ბერკეტი და ტრიგერი ერთდროულად არაა აქტივირებული.	<ul style="list-style-type: none">■ დაამაგრეთ აკუმულატორი ელექტრულ თავზე.■ მოხსენით აკუმულატორი, შეამოწმეთ კონტაქტები და კვლავ მოათავსეთ იგი უკან, სანამ არ ჩაჯდება თავის ადგილას.■ დატენეთ აკუმულატორი მხოლოდ EGO-ს მიერ ამ მომხმარებლის ინსტრუქციაში ჩამოთვლილი დამტენი მოწყობილობებით.■ დააჭირეთ ჩამკეტ ბერკეტს და გააჩერეთ ამ მდგომარეობაში, შემდეგ დააჭირეთ თითო ტრიგერს რათა ჩართოთ სათიბი.

KA

პრობლემა	მიზეზი	გადაჭრის გზა
<p>სათიბი ითიშება მუშაობის პროცესში.</p>	<ul style="list-style-type: none"> ▪ დამცავი ეკრანი არაა დამონტაჟებული სათიბზე, რის გამოც სათიბი ძუა არის უზომოდ გრძელი და მოტორი იტვირთება. ▪ მძიმე სათიბი ძუა არის გამოყენებული. ▪ მოტორის ტარი ან სათიბის თავი ბალახშია გახლართული. ▪ მოტორი არის გადატვირთული. ▪ აკუმულატორი ან სათიბი ზედმეტად გაცხელებულია. ▪ აკუმულატორი მოხსნილია ხელსაწყოდან. ▪ აკუმულატორი დაცლილია. 	<ul style="list-style-type: none"> ▪ მოხსენით აკუმულატორი და დაამონტაჟეთ დამცავი ეკრანი სათიბზე. ▪ გამოიყენეთ რეკმენდირებული ნეილონის სათიბი ძუა, არაუმეტეს 2.4 mm დიამეტრის სისქით. ▪ გამორთეთ სათიბი, მოხსენით აკუმულატორი, მოაცილეთ ბალახი მოტორის სახელურს და სათიბის თავაკს. ▪ მოაცილეთ სათიბის თავაკი ბალახს, ხელსაწყო განაახლებს მუშაობას როდესაც დატვირთვა მოიხსნება. თიბვის პროცესში ჩაწიეთ და ამოწიეთ სათიბის თავაკი ბალახიდან და არ მოჭრათ 20 სმ-ზე მეტი სიგრძის ბალახი ერთ ჯერზე. ▪ აცალეთ სათიბს ან აკუმულატორს გაგრილება 67°C-ის ქვევით. ▪ ხელახლა ჩასვით აკუმულატორი. ▪ დატენით აკუმულატორი მხოლოდ EGO-ს მიერ ამ მომხმარებლის ინსტრუქციაში ჩამოთვლილი დამტენი მოწყობილობებით.

პრობლემა	მიზეზი	გადაჭრის გზა
სათიბის თავაკი არ უშვებს ძუას.	<ul style="list-style-type: none"> ■ მოტორის ტარი ან სათიბის თავი ბალახშია გახლართული. ■ კოჭაზე არასაკმარისი ოდენობის ძუა არის დარჩენილი. ■ სათიბის თავაკი ჭუჭყიანია. ■ ძუა გახლართულია სათიბ თავაკში. ■ ძუა საკმარისზე მოკლეა. 	<ul style="list-style-type: none"> ■ გამორთეთ სათიბი, მოხსენით აკუმულატორი, გაწმინდეთ მოტორის ლილვი და სათიბის თავაკი. ■ მოხსენით აკუმულატორი და შეცვალეთ სათიბი ძუა; მიჰყევით ინსტრუქციაში მოცემულ სექციას „ძუის გამოცვლა“. ■ მოხსენით აკუმულატორი და გაწმინდეთ კოჭა, ქვედა და ზედა ხუფები. ■ მოხსენით აკუმულატორი, გაშალეთ და ხელახლა დაახვიეთ სათიბი ძუა; მიჰყევით ინსტრუქციაში მოცემულ სექციას „ძუის გამოცვლა“. ■ მოხსენით აკუმულატორი და მოქაჩეთ ძუის წვერებზე ხელით, თან შიგადაშიგ დააწეეთ და აუშვით ხელი სათიბის თავაკს.
ბალახი ეხვევა სათიბის თავაკს და მოტორის ბუდეს.	<ul style="list-style-type: none"> ■ მაღალი ბალახის ჭრა ძირში. 	<ul style="list-style-type: none"> ■ მოჭერით მაღალი ბალახი წვეროდან დაბლა, არ მოჭრათ 20 სმ-ზე მეტი სიგრძის ბალახი ერთ ჯერზე, რათა აარიდოთ თავი ბალახის დახვევას.
დანა არ ჭრის ძუას.	<ul style="list-style-type: none"> ■ დამცავ ეკრანის კიდესთან მდებარე სათიბის დანა დაჩლუნგდა. 	<ul style="list-style-type: none"> ■ გალესეთ სათიბის დანა ქლიბის საშუალებით ან ახალი დანა დაამონტაჟეთ.
ბზარები სათიბის თავაკზე ან ქვედა ხუფის სამაგრი ძვრება კოჭის ფუმესთან ერთად.	<ul style="list-style-type: none"> ■ სათიბის თავაკი გაცვეთილია. 	<ul style="list-style-type: none"> ■ შეცვალეთ სათიბი თავაკი დაუყონებლივ; მიყევით ამ მომხმარებლის ინსტრუქციაში სექციის „სათიბი თავაკის შეცვლა“ მითითებებს.
შეცვლისას ძუა არ მარდება სათიბის თავაკში ჯერონად.	<ul style="list-style-type: none"> ■ ძუა არ არის სწორად ჩასმული ხვრელში არსებულ სამაგრ სიდრულში. 	<ul style="list-style-type: none"> ■ ჯერ გაუსწორეთ ძუა ნასვრეტებს, შემდეგ ჩასვით იგი სამაგრ ხვრელში, რომელიც ნასვრეტშია მოთავსებული.

გარანტია

KA

EGO-ს გარანტიის მომსახურების წესი

გთხოვთ ეწვიოთ ვებ-გვერდს egopowerplus.com, რათა მიიღოთ EGO-ს საგარანტიო მომსახურების სრული დადგენილებები და პირობები.

PROČITAJTE SVA UPUTSTVA!



PROČITAJTE PRIRUČNIK ZA RUKOVAOCA

⚠ Rezidualni rizik! Osobe sa elektronskim uređajima, poput pejsmejкера, treba da konsultuju svog lekara (svoje lekare) pre upotrebe ovog proizvoda. Rukovanje električnom opremom u neposrednoj blizini srčanog pejsmejкера moglo bi da izazove smetnje ili otkazivanje pejsmejкера.

⚠ UPOZORENJE: Da bi se osigurala sigurnost i pouzdanost, sve popravke i zamene treba da radi kvalifikovani servisni tehničar.

SIGURNOSNI SIMBOLI

Svrha sigurnosnih simbola je da vam skrenu pažnju na moguće opasnosti. Sigurnosni simboli i objašnjenja uz njih zaslužuju vašu pomnu pažnju i shvatanje. Simboli upozorenja, sami po sebi, ne eliminišu nikakve opasnosti. Uputstva i upozorenja koja oni daju nisu zamena za odgovarajuće mere sprečavanja nezgoda.

⚠ UPOZORENJE: Obavezno pročitajte i shvatite sva sigurnosna uputstva u ovom Priručniku za rukovaoca, obuhvatajući i sve simbole sigurnosnih upozorenja poput „OPASNOST“, „UPOZORENJE“ i „OPREZ“ pre korišćenja ovog alata. Nepridržavanje svih dolenađenih uputstava može da dovede do strujnog udara, požara i/ili ozbiljne telesne povrede.

ZNAČENJE SIMBOLA

⚠ SIMBOL SIGURNOSNOG UPOZORENJA: Ukazuje na **OPASNOST**, **UPOZORENJE** ili **OPREZ**. Može se koristiti zajedno sa drugim simbolima ili piktogramima.








⚠ UPOZORENJE: Rukovanje svakim električnim alatom može da dovede do izbacivanja stranih tela ka očima, što može da dovede do ozbiljnog oštećenja očiju. Pre započinjanja rada sa električnim alatom, uvek stavite sigurnosne naočare sa bočnim štitičnicima ili po potrebi masku za celo lice. Preporučujemo sigurnosnu masku Wide Vision za upotrebu preko naočara ili standardnih sigurnosnih naočara sa bočnim štitičnicima.

SIGURNOSNA UPUTSTVA

Ova stranica prikazuje i opisuje sigurnosne simbole koji mogu da se pojave na ovom proizvodu. Pročitajte, shvatite i sledite sva uputstva na mašini pre no što pokušate da je sklopite i da rukujete njom.

	Sigurnosno upozorenje	Označava potencijalnu opasnost od telesne povrede.
	Pročitajte priručnik za rukovaoca	Da bi smanjio rizik od povreda, korisnik pre korišćenja ovog proizvoda mora pročitati i shvatiti priručnik za rukovaoca.
	Nosite zaštitu za oči	Uvek nosite sigurnosne naočare sa bočnim štitičnicima ili po potrebi masku za celo lice kad rukujete ovim proizvodom.
	Nosite zaštitu za uši	Uvek nosite zvučne barijere (čepove za uši ili zaštitne slušalice) da biste zaštitili sluh.
	Nosite zaštitu za glavu	Nosite odobreni sigurnosni šlem da biste zaštitili glavu.
	Nosite zaštitne rukavice	Zaštitite ruke rukavicama kada rukujete sečivom ili štitičnikom sečiva. Radne rukavice koje se ne klizaju poboljšavaju hvat i štite šake.
	Nosite sigurnosnu obuću	Nosite sigurnosnu obuću koja se ne klizi kada koristite ovaj uređaj.
	Širina sečenja	Maks. širina sečenja trimera sa strunom
	Prečnik strune	Prečnik najlonske strune za sečenje
	Bez okruglog sečiva	Ne instalirajte okrugle noževe za sečenje.
	Držite prolaznike podalje	Osigurajte da drugi ljudi i kućni ljubimci budu udaljeni najmanje 15 m od trimera kada je u upotrebi.

	Držite prolaznike podalje	Osigurajte da drugi ljudi i kućni ljubimci budu udaljeni najmanje 15 m od trimera kada je u upotrebi.
	Ne izlažite kiši	Ne koristite po kiši i ne ostavljajte napolju dok pada kiša.
	CE	Ovaj proizvod je u skladu sa primenljivim EC direktivama.
	WEEE	Otpadne električne proizvode ne bi trebalo odlagati zajedno sa otpadom iz domaćinstva. Odnosite ih u ovlašćeni pogon za reciklažu.
	Buka	Garantovan nivo jačine zvuka. Emisija buke u okruženju prema Direktivi Evropske zajednice.
V	Volt	Voltaža
mm	Milimetar	Dužina ili veličina
cm	Centimetar	Dužina ili veličina
kg	Kilogram	Težina

OPŠTA SIGURNOSNA UPOZORENJA ZA ELEKTRIČNI ALAT

⚠ UPOZORENJE: Pročitajte sva sigurnosna upozorenja, uputstva, ilustracije i specifikacije priložene uz ovaj električni alat. Nepridržavanje svih dolenađenih uputstava može da dovede do strujnog udara, požara i/ili ozbiljne povrede.

Sačuvajte sva upozorenja i uputstva za buduću upotrebu.

Pojam „električni alat“ u upozorenjima označava električni alat (sa žicom) koji se uključuje u utičnicu ili električni alat (bežični) na baterije.

BEZBEDNOST NA RADNOM PODRUČJU

- Održavajte radno područje čistim i dobro osvetljenim. Na pretpranim ili mračnim područjima su veće šanse da dođe do nezgoda.
- Ne koristite električne alate u eksplozivnim atmosferama, kao na primer u prisustvu zapaljivih tečnosti, gasova ili prašine. Električni alat stvara varnice koje mogu zapaliti prašinu ili isparenja.
- Držite decu i prolaznike podalje dok koristite električni alat. Ako vam neko odvrti pažnju, možete izgubiti

kontrolu.

LIČNA BEZBEDNOST

- **Ostanite u pripravnosti, pazite šta radite i koristite zdrav razum kada koristite električni alat. Ne koristite električni alat kada ste umorni ili pod uticajem droga, alkohola ili lekova.** Trenutak nepažnje kada koristite električni alat je dovoljan da izazove ozbiljne telesne povrede.
- **Koristite ličnu zaštitnu opremu. Uvek nosite zaštitu za oči.** Zaštitna oprema poput maske za prašinu, radnih cipela koje se ne klizu, šlema ili zaštite sluha će, kada se koristi za odgovarajuće uslove, smanjiti telesne povrede.
- **Sprečite slučajno pokretanje. Osigurajte da prekidač bude u isključenom položaju pre povezivanja na izvor napajanja i/ili bateriju, podizanja ili nošenja alata.** Nošenje električnih alata sa prstom na prekidaču ili uključivanje u utičnicu električnih alata čiji prekidač je u uključenom položaju priziva nezgode.
- **Uklonite sve ključeve za podešavanje pre uključivanja električnog alata.** Ključ koji ostane pričvršćen za rotacioni deo električnog alata može da izazove telesnu povredu.
- **Ne presežite. U svakom trenutku održavajte pravilan položaj nogu i ravnotežu.** To omogućava bolju kontrolu električnog alata u neočekivanim situacijama.
- **Prikladno se obucite. Ne nosite labavu odeću niti nakit. Držite kosu, odeću i rukavice dalje od pokretnih delova.** Labava odeća, nakit ili duga kosa mogu da se zakače pokretnim delovima.
- **Ako su priloženi uređaji za povezivanje delova za izbacivanje i prikupljanje prašine, osigurajte da oni budu povezani i da se pravilno koriste.** Upotreba uređaja za prašinu može da smanji opasnosti koje izaziva prašina.
- **Ne dozvolite da zbog poznavanja koje ste stekli kroz čestu upotrebu alata postanete samozadovoljni i ignorišete principe bezbednosti alata.** Nemarni postupak može da izazove ozbiljnu povredu u deliću sekunde.

UPOTREBA I ODRŽAVANJE ELEKTRIČNOG ALATA

- **Ne silite električni alat. Koristite odgovarajući električni alat za ono što radite.** Odgovarajući električni alat uradiće posao bolje i bezbednije onom brzinom za koju je dizajniran.
- **Ne koristite električni alat ako ga prekidač ne uključuje i isključuje.** Svaki električni alat koji se ne može kontrolisati prekidačem je opasan i mora se popraviti.

- **Skladištite isključene električne alate van domašaja dece i ne dozvolite osobama koje nisu upoznate sa ovim električnim alatom ili ovim uputstvom da rukuju električnim alatom.** Električni alat je opasan u rukama ne kvalifikovanih korisnika.
- **Održavajte električni alat i dodatke.** Proverite pravilno poravnanje ili spojeve pokretnih delova, lomljenje delova i sva druga stanja koja mogu da utiču na rad električnog alata. Ako je oštećen, odnesite električni alat na popravku pre upotrebe. Mnoge nezgode su izazvane loše održanim električnim alatom.
- **Održavajte alate koji seku oštrim i čistim.** Pravilno održavani alati za sečenje sa oštrim ivicama za sečenje se ređe zapetljavaju i lakše se kontrolišu.
- **Koristite električni alat, dodatke, delove itd. u skladu sa ovim uputstvom, uzimajući u obzir radne uslove i rad koji treba obaviti.** Korišćenje električnog alata za rad drugačiji od predviđenog moglo bi da dovede do opasne situacije.
- **Održavajte drške i površine koje hvatate suvim, čistim i bez ulja i masnoće.** Klizave drške i površine koje hvatate ne omogućavaju bezbedno rukovanje i kontrolu alata u neočekivanim situacijama.
- **Držite kablove podalje od radnog područja alata.** Tokom rada, kablovi mogu biti skriveni od pogleda i alat ih može nehotično oštetiti.

UPOTREBA I ODRŽAVANJE ALATA NA BATERIJE

- **Punite samo punjačem koji navodi proizvođač.** Punjač koji je prikladan za jedan tip baterije može da stvori opasnost od požara kad se koristi sa drugom baterijom.
- **Koristite električni alat samo sa konkretno imenovanim baterijama.** Upotreba bilo kakvih drugih baterija može da stvori rizik od povrede i požara.
- **Kad se baterija ne koristi, držite je dalje od drugih metalnih predmeta, poput spajalica, novčića, ključeva, eksera, vijaka ili drugih malih metalnih predmeta koji mogu da naprave spoj jednog terminala sa drugim.** Kratak spoj terminala baterije može da izazove opekotine ili požar.
- **U ekstremnim uslovima može doći do curenja tečnosti iz baterije; izbegavajte kontakt sa njom. Ako dođe do nehotičnog kontakta, isperite vodom. Ako tečnost dođe u kontakt sa očima, takođe potražite i medicinsku pomoć.** Tečnost iz baterije može da izazove iritaciju ili opekotine.
- **Ne koristite bateriju ili alat koji su oštećeni ili modifikovani.** Oštećene ili modifikovane baterije mogu da ispolje nepredvidivo ponašanje, dovodeći do požara, eksplozije ili rizika od povrede.

- **Ne izlažite bateriju ili alat vatri ili previsokoj temperaturi.** Izlaganje vatri ili temperaturi iznad 100 °C može izazvati eksploziju.
- **Pratite sva uputstva za punjenje i ne puniti bateriju ili alat izvan temperaturnog opsega navedenog u uputstvima.** Punjenje na nepravilan način ili na temperaturama izvan navedenog opsega može da ošteti bateriju i poveća rizik od požara.

SERVIS

- **Odnesite električni alat na servisiranje kod kvalifikovanog servisera koji će koristiti samo identične rezervne delove.** To će osigurati da bezbednost električnog alata bude održana.
- **Nikad ne servisirajte oštećene baterije.** Servisiranje baterija treba da radi samo proizvođač ili ovlašćeni servis.

⚠ UPOZORENJE: Pročitajte sva sigurnosna upozorenja, uputstva, ilustracije i specifikacije priložene uz ovaj električni alat. Nepridržavanje svih dolenađenih uputstava može da dovede do strujnog udara, požara i/ili ozbiljne povrede. Sačuvajte sva upozorenja i uputstva za buduću upotrebu.

OBUKA

- Pažljivo pročitajte uputstvo. Upoznajte se sa kontrolama i pravilnom upotrebom mašine.
- Nikad ne dozvolite ljudima koji nisu upoznati sa ovim uputstvima ili deci da koriste mašinu. Lokalni propisi mogu da ograniče uzrast rukovaoca.
- Imajte na umu da je rukovalac ili korisnik odgovoran za nezgode ili opasnosti po druge ljude ili njihovu imovinu.

PRIPREMA

- Nikad ne rukujte mašinom dok su ljudi, naročito deca, ili kućni ljubimci u blizini.
- Nosite zaštitne naočare i čvrste cipele sve vreme dok rukujete ovom mašinom.
- Udaljenost između mašine i prolaznika mora biti najmanje 15 m.
- Nikad ne rukujte mašinom ako je rukovalac umoran, bolestan ili pod uticajem alkohola, droga ili lekova.

RUKOVANJE

- Koristite mašinu samo po dnevnom svetlu ili dobrom veštačkom svetlu.
- Nikad ne koristite mašinu sa oštećenim štitnicima ili branicima odnosno bez štitnika ili branika na svom mestu.

- Uključite motor tek kada su šake i stopala udaljena od noža za sečenje.
- Uvek odvojite mašinu od izvora napajanja (tj. izvadite bateriju).
 - svaki put kad ostavljate mašinu bez nadzora;
 - pre čišćenja čepa;
 - pre proveravanja, čišćenja ili rada na mašini;
 - posle nailaženja na strani predmet;
 - svaki put kada mašina počne abnormalno da vibrira.
- Vodite računa da ne povredite stopala i šake nožem za sečenje.
- Uvek osigurajte da ventilacioni otvori budu očišćeni od prljavštine.

ODRŽAVANJE I SKLADIŠTENJE

- Odvojite mašinu od izvora napajanja (tj. izvadite bateriju) pre vršenja održavanja ili čišćenja.
- Koristite samo proizvođačeve preporučene rezervne delove i dodatke.
- Redovno pregledajte i održavajte mašinu. Popravljajte mašinu samo kod ovlašćenih servisera.
- Kada je ne koristite, čuvajte mašinu van domašaja dece.

OSTALA SIGURNOSNA UPOZORENJA

- **Izbegavajte opasna okruženja** – Ne koristite uređaje na vlažnim ili mokrim nagibima.
- **Držite štitnike na svom mestu i u radnom stanju.**
- **Držite šake i stopala dalje od mesta sečenja.**
- **Da biste smanjili rizik od povreda, nikada nemojte raditi na lestvama ili na bilo kojoj nestabilnoj površini. Nikada nemojte držati jedinicu za sečenje iznad visine struka.**
- **Proveravajte jedinicu za sečenje redovno u kratkim intervalima za vreme korišćenja, ili odmah ako ima приметnih promena u ponašanju sečenje.**
- **Za najbolje rezultate, bateriju treba puniti na mestu gde je temperatura veća od 5 °C i manja od 40 °C.** Ne skladištite je na otvorenom prostoru ili u vozilima.
- **Ako vam neko pride, zaustavite motor i jedinicu za sečenje.**
- **Upozorite korisnika na opasnosti od odbijanja noža (samo kad se koristi sa 3-zubim nožem).**
 - Do odbijanja noža može doći kada nož koji se okreće dođe u dodir sa predmetom koji ne preseče istog trenutka.

- Odbijanje noža može biti dovoljno silovito da izazove da jedinica i/ili korisnik budu odgurnuti u bilo kojem smeru, i moguć je gubitak kontrole nad jedinicom.
- Do odbijanja noža može doći bez upozorenja ako se nož zakači, zaguši ili zaplete.
- Veće šanse za odbijanje noža postoje na mestima gde je teško videti materijal koji se kosi.
- **Nemojte pričvrstiti nož na jedinicu bez pravilne instalacije svih potrebnih delova. Nekorišćenje odgovarajućih delova može izazvati da nož odleti i ozbiljno povredi operatera i/ili prolaznike. Odbacite noževe koji su savijeni, iskrivljeni, naprsli, polomljeni ili oštećeni na bilo koji način. Koristite oštar nož. Tup nož ima veće šanse da se zakači i odbije (samo kad se koristi sa 3-zubim nožem).**
- **Kretanje noža/strune može da izazove povredu dok nastavlja da se vrti nakon zaustavljanja motora ili puštanja okidača. Održavajte pravilnu kontrolu dok se nož/struna ne zaustavi potpuno.**
- **Alati na baterije ne moraju da budu uključeni u utičnicu; oni su stoga uvek u radnom stanju. Budite svesni mogućih opasnosti čak i kada se alat ne koristi. Budite pažljivi kada održavate ili servisirate.**
- **Ne perite crevom; izbegavajte ulaganje vode u motor i električne veze.**
- **Ako dođe do situacija koje nisu obrađene u ovom priručniku, primenjujte oprez i zdravo rasuđivanje. Obratite se EGO korisničkoj službi za pomoć.**
- **Koristite samo sa baterijama i punjačima navedenim na slici A.**

SAČUVAJTE OVO UPUTSTVO!

SPECIFIKACIJE

Mehanizam sečenja	Izbočena glava
Prečnik strune	2,4 mm najlonska upletena struna
Širina sečenja	38 cm
Brzina bez opterećenja	5000/6000 min ⁻¹
Težina (bez baterije)	1,59 kg
Preporučena radna temperatura	0°C-40°C
Preporučena temperatura skladištenja	-20°C-70°C
Izmereni nivo jačine zvuka L _{WA}	94,6 dB(A) K=1,80 dB(A)
Nivo zvučnog pritiska kod uha rukovaoca L _{PA}	83,2 dB(A) K= 3 dB(A)

Garantovan nivo jačine zvuka L_{WA} (izmereno prema 2000/14/EC)		96 dB(A)
Procena vibracije a_h	Prednja pomoćna drška	1,1 m/s ² K=1,5 m/s ²
	Zadnja drška	1,4 m/s ² K=1,5 m/s ²

- Gornji parametri su testirani i izmereni sa pogonskom glavom PH1400E.
- Deklarisana ukupna vrednost vibracije je izmerena u skladu sa standardnim metodom testiranja i može se koristiti za upoređivanje jednog alata sa drugim;
- Deklarisana ukupna vrednost vibracije može se koristiti u preliminarnoj proceni izlaganja.

NAPOMENA: Emisija vibracija tokom stvarne upotrebe električnog alata može da se razlikuje od deklarisanе vrednosti u kojoj se alat koristi. Da bi se rukovalac zaštitio, korisnik bi trebalo da nosi rukavice i štitnike za uši u stvarnim uslovima korišćenja.

POPIS PAKOVANJA

NAZIV DELA	KOLIČINA
Dodatak trimera sa strunom	1
Štitnik	1
Inbus ključ	1
Višenamenski ključ	1
Priručnik za rukovaoca	1

Za preporučenu strunu za sečenje, posetite veb-lokaciju egopowerplus.com ili pogledajte katalog EGO proizvoda.

OPIS

UPOZNAJTE SVOJ DODATAK TRIMERA SA STRUNOM (slika A)

1. Krajnja kapica
2. Vratilo trimera sa strunom
3. Struna za sečenje
4. Glava trimera (izbočena glava)
5. Jezičak za otpuštanje
6. Nož za sečenje strunom
7. Štitnik
8. Inbus ključ
9. Višenamenski ključ

⚠ UPOZORENJE: Nikada ne koristite alat bez štitnika čvrsto na mestu. Štitnik mora uvek biti na alatu da bi zaštitio korisnika.

SKLAPANJE

⚠ UPOZORENJE: Ako su neki delovi oštećeni ili nedostaju, nemojte koristiti ovaj proizvod dok delovi ne budu zamenjeni. Korišćenje ovog proizvoda sa oštećenim ili nedostajućim delovima može dovesti do ozbiljnih telesnih povreda.

⚠ UPOZORENJE: Ne pokušavajte da modifikujete ovaj proizvod ili da pravite dodatke koji nisu preporučeni za korišćenje sa ovim trimmerom sa strunom. Svaka takva promena ili modifikacija je zloupotreba i može dovesti do opasnih uslova koji mogu da dovedu do ozbiljnih telesnih povreda.

⚠ UPOZORENJE: Ne spajajte sa pogonskom glavom dok sklapanje ne bude završeno. Nepridržavanje toga može izazvati nehotično pokretanje i ozbiljne telesne povrede.

MONTIRANJE ŠTITNIKA

⚠ UPOZORENJE: Uvek nosite rukavice kad montirate ili zamenjujete štitnik. Čuvajte se noža na štitniku i zaštitite ruke od povrede nožem.

Olabavite i uklonite dva vijka sa štitnika (slika C), poravnajte montažne rupe štitnika sa rupama na sklopu pa zatim zaključajte štitnik na bazu vratila pomoću dva vijka, zajedno sa dve elastične podloške (slika D).

Proverite da li je štitnik fiksiran prema slici C i D, svako obrnuto fiksiranje će izazvati veliku opasnost!

POVEZIVANJE DODATKA TRIMERA SA STRUNOM NA POGONSKU GLAVU

Ovaj dodatak trimera sa strunom je dizajniran za korišćenje sa EGO pogonskom glavom PH1400E.

Pogledajte odeljak „**INSTALIRANJE DODATKA NA POGONSKU GLAVU**“ u priručniku za rukovaoca za pogonsku glavu PH1400E.

RUKOVANJE

⚠ UPOZORENJE: Ne dozvolite da zbog poznavanja ovog proizvoda postanete nemarni. Zapamtite da je delić sekunde nepažnje dovoljan da nanese ozbiljnu povredu.

⚠ UPOZORENJE: Uvek nosite zaštitne naočare i zaštitu za sluh. Nepridržavanje toga može dovesti do predmeta izbačenih prema očima i drugih ozbiljnih povreda.

SR

PRIMENA

Možete koristiti ovaj proizvod za svrhu navedenu ispod:

- Trimovanje trave i korova oko tremova, ograda i terasa

NAPOMENA: Alat treba koristiti samo za propisanu svrhu. Svaka druga upotreba smatra se slučajem zloupotrebe.

Pre svake upotrebe proverite da li ima oštećenih/ pohabanih delova.

Proverite glavu trimera, štitnik i prednju pomoćnu dršku i zamenite sve delove koji su naprsli, iskrivljeni, savijeni ili na bilo koji način oštećeni.

Nož za sečenje strunom na ivici štitnika može vremenom da se istupi. Preporučuje se da ga periodično naoštrite turpijom ili da ga zamenite novim nožem.

⚠ UPOZORENJE: Uvek nosite rukavice kad montirate ili zamenjujete štitnik ili kad oštirate ili zamenjujete nož. Imajte u vidu lokaciju noža na štitniku i zaštitite šaku od povreda.

⚠ UPOZORENJE: Da biste sprečili ozbiljne telesne povrede, izvadite bateriju iz pogonske glave pre servisiranja, čišćenja, menjanja dodatka ili skidanja materijala sa jedinice.

KORIŠĆENJE TRIMERA SA STRUNOM SA POGONSKOM GLAVOM

⚠ UPOZORENJE: Obucite se prikladno da biste smanjili rizik od povrede dok koristite ovaj alat. Ne nosite labavu odeću ili nakit. Nosite zaštitne naočare i zaštitu uva/sluha. Nosite duge radne pantalone, duboke cipele i rukavice. Ne nosite kratke pantalone, sandale, papuče i ne radite bosu.

⚠ UPOZORENJE: Očistite područje na kojem ćete seći pre svake upotrebe. Uklonite sve predmete poput kamenja, razbijenog stakla, eksera, žica ili kanapa koji bi mogli biti izbačeni ili zakačeni dodatkom za sečenje. Uklonite decu, prolaznike i kućne ljubimce iz područja gde ćete raditi. U najmanju ruku, držite svu decu, prolaznike i ljubimce na udaljenosti od najmanje 15 m; i dalje može postojati rizik po posmatrača od izbačenih predmeta. Posmatrača bi trebalo podstaci da nose zaštitne naočare. Ako vam neko pride, odmah zaustavite motor i dodatak za sečenje.

Za bezbedan i bolji rad, stavite remen za rame preko ramena. Podesite remen za rame u udoban radni položaj. Držite trimer sa strunom sa jednom rukom na zadnjoj drški i drugom rukom na prednjoj pomoćnoj drški. Održavajte čvrst hvat sa obe ruke tokom rada. Trimer sa strunom treba držati u udobnom položaju sa zadnjom drškom približno u visini kuka. Glava trimera treba da bude paralelna sa tлом tako da lako dolazi u kontakt sa materijalom koji treba seći a da rukovalac ne mora da se saginje (slika B).

⚠ UPOZORENJE: Remen za rame ima i mehanizam za brzo otkopčavanje u opasnim situacijama. Kada se desi hitan slučaj, odmah skinite uređaj sa ramena, bez obzira kako je remen namešten.

Nakon svake upotrebe, očistite trimer

Pogledajte odeljak ODRŽAVANJE za uputstva za čišćenje.

ZA POKRETANJE/ZAUSTAVLJANJE ALATA

Pogledajte odeljak „**POKRETANJE/ZAUSTAVLJANJE POGONSKE GLAVE**“ u priručniku za rukovaoca za pogonsku glavu PH1400E.

PODEŠAVANJE DUŽINE STRUNE ZA SEČENJE

Glava trimera omogućava rukovaocu da otpusti još strune za sečenje bez zaustavljanja motora. Kako struna postaje iskrzana ili pohabana, još strune se može otpustiti laganim tapkanjem glave trimera o tlo tokom rukovanja trimenom (slika E).

NAPOMENA: Otpuštanje strune postaće teže kako struna za sečenje postaje kraća.

⚠ UPOZORENJE: Ne uklanjajte niti prepravljajte sklop noža za sečenje strunom. Prekomerna dužina strune će izazvati pregrevanje motora i može da dovede do ozbiljnih telesnih povreda.

ZAMENA STRUNE

NAPOMENA: Uvek koristite preporučenu najlonsku strunu za sečenje, prečnika koji ne prelazi 2,4 mm. Korišćenje neke druge strune osim one koja je navedena može da izazove pregrevanje ili oštećenje trimera.

⚠ UPOZORENJE: Nikad ne koristite strunu ojačanu metalom, žicu ili kanap i sl. Oni se mogu otkinuti i postati opasni projektili.

1. Izvadite bateriju
2. Uklonite preostalu strunu za sečenje, ako je neophodno. Jednostavno je izvucite rukom.
3. Odsecite 4 m dužine strune za sečenje; uđenite strunu u rupicu za montiranje unutar rupe (slika F). Gurajte i vucite strunu sa druge strane dok se jednake dužine strune ne pojave sa obe strane kalema.
4. Pritiskajte, dok rotirate sklop donjeg poklopca u smeru strelice, da biste namotali strunu na kalem dok približno 14 cm strune ne viri sa svake strane (slika G).
5. Pritisnite sklop donjeg poklopca nadole dok vučete strune da ručno izvučete strunu i proverite pravilno sklapanje glave trimera.

Kad struna za sečenje puca dok izlazi iz izlaza strune ili se ne osloboda kad se glava trimera tapka, pratite korake ispod:

1. Izvadite bateriju.
2. Pritisnite jezičke za otključavanje na gornjem poklopcu i skinite sklop donjeg poklopca tako što ćete ga ravno izvući napolje (slika H i I).
3. Uklonite strunu za sečenje iz kalema.
4. Dok jednom rukom držite gornji poklopac, drugom rukom uhvatite sklop donjeg poklopca i poravnajte jezičke na gornjem poklopcu sa rupicama na osnovi sklopa donjeg poklopca (slika J); dlanom pritisnite i okrećite sklop donjeg poklopca levo i desno dok se jezičci ne zaključaju sa gornjim poklopcem (slika K).
5. Pratite uputstva u odeljku „ZAMENA STRUNE“ da biste ponovo stavili strunu za sečenje.

Kad je alat predviđen da se koristi kao motorna kosa, pratite korake prikazane na slici L i M da biste rasklopili glavu trimera.

ODRŽAVANJE

▲ UPOZORENJE: Pre pregledanja, čišćenja ili servisiranja jedinice, zaustavite motor, sačekajte da se svi pokretni delovi zaustave i izvadite bateriju. Nepoštovanje ovih uputstava može izazvati ozbiljne telesne povrede ili oštećenje imovine.

▲ UPOZORENJE: Tokom servisiranja, koristite samo identične rezervne delove. Upotreba bilo kakvih drugih delova može da dovede do opasnosti ili da izazove oštećenje proizvoda. Da bi se osigurala sigurnost i pouzdanost, sve popravke, osim stavki navedenih u ovom uputstvu za održavanje, treba da radi kvalifikovani servisni tehničar.

OPŠTE ODRŽAVANJE

Izbegavajte korišćenje rastvarača kada čistite plastične delove. Većina plastike je podložna oštećenjima od raznih tipova komercijalnih rastvarača i može se oštetiti njihovom upotrebom. Koristite čiste krpe da uklonite zemlju, prašinu, ulje, masnoću itd.

ČIŠĆENJE JEDINICE

- Raščistite travu koja se eventualno omotala oko vratila motora ili glave trimera.
- Pomoću male četke ili malog usisivača očistite otvore za vazduh na zadnjoj strani kućišta.
- Očistite jedinicu vlažnom krpom i blagim deterdžentom.
- Ne koristite jake deterdžente na plastičnom kućištu i drški. Mogu ih oštetiti određena aromatična ulja, poput bora i limuna, i rastvarači poput kerozina. Vлага može da izazove i opasnost od strujnog udara. Obrišite svu vlagu mekom suvom krpom.

■ PODMAZIVANJE PRENOSNIH ZUPČANIKA

Pretnosni zupčanici u menjaču brzina treba periodično da se podmazuju mazivom za zupčanike. Proveravajte nivo maziva u menjaču brzina na svakih oko 50 sati rada tako što ćete ukloniti zaptivni vijak na bočnoj strani kućišta.

Ako se mazivo ne vidi na bočnim stranama zupčanika, pratite korake ispod da biste sipali mazivo za zupčanike do 3/4 kapaciteta.

Nemojte potpuno napuniti prenosne zupčanike.

1. Držite trimer sa strunom na bočnoj strani tako da zaptivni vijak bude okrenut nagore.
2. Pomoću priloženog višenamenskog ključa olabavite zaptivni vijak i uklonite ga.
3. Pomoću šprica za mazivo (nije priložen) ubrizgajte malo maziva u rupicu vijka; nemojte prekoračiti 3/4 kapaciteta.
4. Zategnite zaptivni vijak posle ubrizgavanja.

SKLADIŠTENJE JEDINICE

- Izvadite bateriju iz trimera.
- Temeljno očistite alat pre no što ga uskladištite.
- Ako se dodatak trimera sa strunom skida sa pogonske glave i skladišti zasebno: Stavite krajnju kapicu na vratilo dodatka da biste izbegli ulaženje prljavštine u spojnicu.
- Skladištite jedinicu na suvom, dobro provetrenom mestu, zaključanu ili na visini, van domašaja dece. Ne skladištite jedinicu na ili pored đubriva, benzina ili drugih hemikalija.

Zaštita životne sredine



Ne odlažite električnu opremu, punjače baterija i baterije/punjive baterije u kućni otpad!

Prema evropskom zakonu 2012/19/EU, električna i elektronska oprema koja više nije upotrebljiva, te prema evropskom zakonu 2006/66/EC, defektne ili ispraznjene baterije, moraju se prikupljati zasebno.

Ako se električni aparati odlažu na deponije ili đubrišta, opasne supstance mogu da iscuru u podzemne vode i dospeju u lanac ishrane, nanoseći štetu vašem zdravlju i dobrobiti.

REŠAVANJE PROBLEMA

PROBLEM	UZROK	REŠENJE
Trimer sa strunom neće da se uključi.	<ul style="list-style-type: none"> ■ Baterija nije spojena na pogonsku glavu. ■ Nema električnog kontakta između pogonske glave i baterije. ■ Baterija je prazna. ■ Poluga za zaključavanje i okidač nisu pritisnuti istovremeno. 	<ul style="list-style-type: none"> ■ Spojite bateriju na pogonsku glavu. ■ Izvadite bateriju, proverite kontakte i ponovo instalirajte bateriju dok ne škljocne na svoje mesto. ■ Napunite bateriju EGO punjačima navedenim u ovom priručniku. ■ Pritisnite nadole polugu za otključavanje i držite je, zatim pritisnite okidač da biste uključili trimer sa strunom.
Trimer sa strunom se isključuje tokom sečenja.	<ul style="list-style-type: none"> ■ Štitnik nije montiran na trimer, dovodeći do predugačke strune za sečenje i preopterećenja motora. ■ Koristi se debela struna za sečenje. ■ Vratilo motora ili glava trimera su se upetljali u travu. ■ Motor je preopterećen. ■ Baterija ili trimer sa strunom su prevrući. ■ Baterija se odvojila od alata. ■ Baterija je prazna. 	<ul style="list-style-type: none"> ■ Izvadite bateriju i montirajte štitnik na trimer. ■ Koristite preporučenu najlonsku strunu za sečenje, prečnika ne većeg od 2,4 mm. ■ Zaustavite trimer, izvadite bateriju i uklonite travu sa vratila motora i glave trimera. ■ Izvadite glavu trimera iz trave. Motor će se ponovo pokrenuti kad se opterećenje ukloni. Kad sečete, pomerajte glavu trimera unutra i napolje trave koju treba iseći i ne uklanjajte više od 20 cm dužine u jednom sečenju. ■ Ostavite bateriju ili trimer da se hlade dok temperatura ne padne ispod 67 °C. ■ Ponovo instalirajte bateriju. ■ Napunite bateriju EGO punjačima navedenim u ovom priručniku.

PROBLEM	UZROK	REŠENJE
Glava trimera neće da uvlači strunu.	<ul style="list-style-type: none"> ■ Vratilo motora ili glava trimera su se upetljali u travu. ■ Nema dovoljno strune na kalem. ■ Glava trimera je prljava. ■ Struna je zapetljena u sklopu glave trimera ■ Struna je prekratka. 	<ul style="list-style-type: none"> ■ Zaustavite trimmer, izvadite bateriju i očistite vratilo motora i glavu trimera. ■ Izvadite bateriju i zamenite strunu za sečenje; pratite odeljak „ZAMENA STRUNE“ u ovom priručniku. ■ Izvadite bateriju i očistite kalem, sklop donjeg poklopca i gornji poklopac. ■ Izvadite bateriju, skinite strunu sa kalema i ponovo je namotajte; pratite odeljak „PONOVO UDENITE STRUNU ZA SEČENJE“ u ovom priručniku. ■ Izvadite bateriju i ručno vucite strune dok naizmenično pritiskate nadole i puštate glavu trimera.
Trava se omotala oko glave trimera i kućišta motora.	<ul style="list-style-type: none"> ■ Sečenje visoke trave na nivou tla. 	<ul style="list-style-type: none"> ■ Secite visoku travu odozgo nadole, uklanjajući ne više od 20 cm u svakom prolasku da biste sprečili omotavanje.
Nož ne seče strunu.	<ul style="list-style-type: none"> ■ Nož za sečenje strunom na ivici štitnika se istupio. 	<ul style="list-style-type: none"> ■ Naoštrite nož za sečenje strunom pomoću turpije ili ga zamenite novim nožem.
Pukotine na glavi trimera ili sklop donjeg poklopca koji se olabavio sa osnove kalema.	<ul style="list-style-type: none"> ■ Glava trimera je pohabana. 	<ul style="list-style-type: none"> ■ Odmah zamenite glavu trimera; pratite odeljak „ZAMENA GLAVE TRIMERA“ u ovom priručniku.
Tokom zamene strune, struna se ne može pravilno uvlačiti u glavu trimera.	<ul style="list-style-type: none"> ■ Struna nije pravilno umetnuta u montažnu rupicu u rupi. 	<ul style="list-style-type: none"> ■ Prvo poravnajte ULAZNE strune sa rupicama, zatim uđente strunu u rupicu za montiranje koja se nalazi unutar rupe.

GARANCIJA

EGO POLITIKA GARANCIJE

Posetite veb-lokaciju egopowerplus.com za potpune uslove i odredbe EGO politike garancije.

PROČITAJTE UPUTSTVO U CIJELOSTI!



PROČITAJTE KORISNIČKI PRIRUČNIK

⚠️ Preostale opasnosti! Osobe s elektroničkim uređajima poput srčanih elektrostimulatora prije upotrebe ovog proizvoda trebaju se posavjetovati sa svojim ljekarom. Rad električne opreme u neposrednoj blizini srčanih elektrostimulatora može uzrokovati smetnju ili kvar srčanog elektrostimulatora.

⚠️ UPOZORENJE! Radi osiguranja sigurnosti i pouzdanosti, sve popravke i zamjene treba obavljati kvalifikovani servisni tehničar.

SIGURNOSNI SIMBOLI

Svrha sigurnosnih simbola je skretanje pažnje na moguće opasnosti. Sigurnosni simboli i njihova objašnjenja zahtijevaju vašu potpunu pažnju i razumijevanje. Sami simboli upozorenja sami po sebi ne isključuju opasnost. Uputstva i upozorenja koja pružaju nisu zamjena za propisne mjere za prevenciju nesreća.

⚠️ UPOZORENJE! Prije upotrebe ovog alata pobrinite se da sva sigurnosna uputstva u ovom korisničkom priručniku, uključujući sve sigurnosne simbole kao što su **“OPASNOST”**, **“UPOZORENJE”** i **“OPREZ”** pročitate s razumijevanjem. Zanemarivanje svih uputstava navedenih u nastavku može rezultirati strujnim udarom, požarom i/ili teškim tjelesnim povredama.

ZNAČENJE SIMBOLA

⚠️ SIGURNOSNI SIMBOL UPOZORENJA: ukazuju na **OPASNOST**, **UPOZORENJE** ili **OPREZ**. Može se upotrebljavati u kombinaciji s drugim simbolima ili piktogramima.



⚠️ UPOZORENJE! Rukovanje električnim alatima može rezultirati odbacivanjem stranih predmeta u oči, što opet može izazvati teška oštećenja očiju. Prije početka rukovanja električnim alatom, uvijek nosite zatvorene zaštitne naočale ili zaštitne naočale s bočnim štitnicima, a prema potrebi i štitnik za cijelo lice. Preporučujemo nošenje sigurnosne maske proizvođača Wide Vision preko naočala, ili nošenje standardnih zaštitnih naočala s bočnim štitnicima.

SIGURNOSNA UPUTSTVA

Na ovoj stranici slikovno su prikazani i objašnjeni sigurnosni simboli koji se mogu pojaviti na ovom proizvodu. Prije pokušaja sastavljanja i rukovanja, s razumijevanjem pročitajte sva uputstva na proizvodu i pridržavajte ih se.

	Simbol upozorenja	Ukazuje na potencijalnu opasnost od tjelesnih povreda.
	Pročitajte korisnički priručnik.	Radi smanjenja opasnosti od povreda, prije upotrebe ovog proizvoda korisnik treba s razumijevanjem pročitati ovaj korisnički priručnik.
	Nosite zaštitu za oči.	Kada upotrebljavate ovaj proizvod, uvijek nosite zatvorene zaštitne naočale ili zaštitne naočale s bočnim štitnicima i štitnik za cijelo lice.
	Nosite zaštitu za sluh.	Radi zaštite sluha uvijek nosite zvučne barijere (čepovi za uši ili štيتnici za uši).
	Nosite zaštitu za glavu.	Radi zaštite glave nosite odobrenu sigurnosnu kacigu.
	Nosite zaštitne rukavice.	Kada rukujete nožem i štitnikom noža zaštitite ruke rukavicama. Neklizajuće rukavice za teške uslove rada poboljšavaju zahvat i štite ruke.
	Nosite sigurnosnu obuću.	Kada upotrebljavate ovu opremu nosite neklizajuću sigurnosnu obuću.
	Širina rezanja	Maks. širina rezanja trimera s reznom niti
	Prečnik rezne niti	Prečnik najlonske rezne niti
	Ne upotrebljavajte zaobljeni nož.	Nemojte postavljati zaobljene rezne noževe.
	Druge prisutne osobe držite na udaljenosti.	Pobrinite se da druge osobe i kućni ljubimci ostanu na udaljenosti od najmanje 15 m od trimera s reznom niti tokom upotrebe.

	Druge prisutne osobe držite na udaljenosti.	Pobrinite se da druge osobe i kućni ljubimci ostanu na udaljenosti od najmanje 15 m od trimera s reznom niti tokom upotrebe.
	Ne izlažite uređaj kiši.	Uređaj nemojte upotrebljavati na kiši ili nemojte ga ostavljati na otvorenom kada pada kiša.
	Oznaka CE	Ovaj proizvod je u skladu s primjenjivim Direktivama EU.
	WEEE	Otpadni električni proizvodi ne smiju se odlagati s otpadom iz domaćinstva. Odnosite ih u ovlaštenu centar za reciklažu.
	Buka	Zagarantovani nivo zvučne snage. Emisija buke u okruženju u skladu je s Direktivom Evropske unije.
V	Volt	Napon
mm	Milimetar	Dužina ili dimenzija
cm	Centimetar	Dužina ili dimenzija
kg	Kilogram	Masa

OPĆA SIGURNOSNA UPOZORENJA ZA ELEKTRIČNE ALATE

UPOZORENJE! Pročitajte sva sigurnosna upozorenja, uputstva, sve ilustracije i specifikacije isporučene s ovim električnim alatom. Zanimarivanje svih uputstava navedenih u nastavku može rezultirati strujnim udarom, požarom i/ili teškim povredama.

Sačuvajte sva upozorenja i uputstva za buduće potrebe.

Pojam "električni alat" u upozorenjima odnosi se na vaš električni alat na strujni pogon (s kabelom) ili električni alat na baterijski pogon (bez kabela).

SIGURNOST RADNOG PODRUČJA

- Radno područje održavajte čistim i dobro osvijetljenim. Pretrpana ili mračna područja izazivaju nesreće.
- Električni alat nemojte upotrebljavati u eksplozivnim atmosferama, kao na primjer u prisutnosti zapaljivih tekućina, plinova ili prašine. Električni alat stvara iskre koje mogu zapaliti prašinu ili isparenja.
- Djecu i posmatraču držite podalje tokom rada s električnim alatom. Ometanja mogu rezultirati gubitkom kontrole nad alatom.

LIČNA SIGURNOST

- Budite oprezni, gledajte šta radite i koristite se uobičajenim osjećajem kada radite s električnim alatom. Nemojte upotrebljavati električni alat kada ste umorni ili pod uticajem opojnih sredstava, alkohola ili lijekova.** Trenutak nepažnje tokom rada s električnim alatima može rezultirati teškim tjelesnim povredama.
- Upotrebljavajte ličnu zaštitnu opremu. Uvijek nosite zaštitu za oči.** Zaštitna oprema poput maske za zaštitu od prašine, nekizajuće sigurnosne obuće, kacige ili zaštite za sluh upotrijebljena za odgovarajuće uslove smanjit će tjelesne povrede.
- Spriječite nenamjerno pokretanje. Prije spajanja na izvor napajanja i/ili komplet baterija, uzimanja ili nošenja alata uvjerite se da se prekidač nalazi u isključenom položaju.** Nošenje električnih alata s prstom na prekidaču ili napajanje električnih alata koji imaju uključen prekidač izaziva nesreće.
- Prije uključivanja električnog alata uklonite sve ključeve za podešavanje ili ključeve.** Ključ ili ključ za podešavanje ostavljen pričvršćen na rotacijski dio električnog alata može rezultirati tjelesnim povredama.
- Nemojte se previše naginjati prema naprijed. Cijelo vrijeme održavajte propisno držanje i ravnotežu.** To će omogućiti bolju kontrolu nad električnim alatom u neočekivanim situacijama.
- Obucite se prikladno. Nemojte nositi široku odjeću ili nakit. Kosu, odjeću i rukavice uvijek držite podalje od dijelova koji se kreću.** Dijelovi koji se kreću mogu zahvatiti široku odjeću, nakit ili dugu kosu.
- Ako su uređaji namijenjeni za spajanje sistema za izvlačenje i sakupljanje prašine, pobrinite se da se propisno spoje i upotrebljavaju.** Upotrebom uređaja za sakupljanje prašine mogu se smanjiti opasnosti koje se odnose na prašinu.
- Nemojte dozvoliti da vas poznavanje alata stečeno čestom upotrebom učini samodopadnim pa da ignorirate sigurnosne principe za alat.** Nemarne radnje u djeliću sekunde mogu rezultirati teškim povredama.

UPOTREBA I NJEGA ELEKTRIČNOG ALATA

- Nemojte preopterećavati električni alat. Upotrebljavajte ispravan električni alat za svoju primjenu.** Ispravan električni alat bolje će i sigurnije odraditi posao pri brzini za koju je predviđen.
- Nemojte upotrebljavati električni alat ako ga prekidač ne uključuje i isključuje.** Svaki električni alat koji se ne može kontrolisati prekidačem opasan je i potrebno ga je popraviti.

BS

- **Nekorišteni električni alat skladištite izvan dohvata djece i nemojte dozvoliti da osobe koje ne poznaju električni alat ili ova uputstva rade s električnim alatom.** Električni alati opasni su u rukama neobučениh korisnika.
- **Održavajte električne alate i dodatnu opremu.** Provjerite jesu li pokretni dijelovi centrirani ili spojeni, ima li polomljenih dijelova i postoji li stanje koje može uticati na rad električnog alata. **Ako je oštećen, električni alat dajte na popravak prije upotrebe.** Loše održavani električni alati uzrok su mnogih nesreća.
- **Rezne alate održavajte oštroma i čistima.** Propisno održavani rezni alati s oštrim reznim rubovima vjerovatno se neće spajati i lakši su za upravljanje.
- **Električni alat, dodatnu opremu i alatne nastavke, itd., upotrebljavajte u skladu s ovim uputstvima, uzimajući u obzir radne uslove i posao koji je potrebno obaviti.** Upotreba električnog alata za radove drukčija od namjenske može rezultirati opasnim situacijama.
- **Rukohvate i površinu rukohvata održavajte suhim, čistim i očišćenim od ulja i masti.** Skliski rukohvati i skliske površine rukohvata onemogućuju sigurno rukovanje i upravljanje alatom u neočekivanim situacijama.
- **Držite kabele podalje od radnog područja alata.** Tokom rada kabeli mogu biti zaklonjeni od pogleda i mogu se nehotično oštetiti alatom.

UPOTREBA I NJEGA BATERIJSKOG ALATA

- **Punjenje obavljajte samo s punjačem kojeg je naveo proizvođač.** Punjač koji je prikladan za jedan tip kompleta baterija može stvoriti rizik od požara ako ga se upotrebljava s drugim kompletom baterija.
- **Električni alat upotrebljavajte samo s izričito navedenim kompletima baterija.** Upotreba drugih kompleta baterija može stvoriti rizik od povreda i požara.
- **Kada se komplet baterija ne upotrebljava, držite ga podalje od drugih metalnih predmeta poput spajalica za papir, kovanica, ključeva, eksera, vijaka ili drugih malih metalnih predmeta koji mogu međusobno spojiti kontakte.** Kratko spajanje baterijskih kontakata može uzrokovati opekotine ili požar.
- **U slučaju pogrešne upotrebe, baterija može izbaciti tekućinu; izbjegavajte kontakt. Ako slučajno dođe do kontakta, odnorna mjesta isperite vodom. Ako tekućina dođe u kontakt s očima, dodatno potražite pomoć ljekara.** Tekućina koju izbaci baterija može uzrokovati nadražaj kože ili opekotine.
- **Nemojte upotrebljavati oštećen ili modifikovan komplet baterija ili alat.** Oštećene ili modifikovane baterije mogu pokazati nepredvidivo ponašanje koje

može rezultirati požarom, eksplozijom ili opasnošću od povreda.

- **Komplet baterija ili alat nemojte izlagati vatri ili previsokoj temperaturi.** Izlaganje vatri ili temperaturi višoj od 100 °C može uzrokovati eksploziju.
- **Pridržavajte se svih uputstava za punjenje i komplet baterija ili alat nemojte puniti izvan okvira opsega temperature navedenog u uputstvima.** Nepropisno punjenje ili punjenje pri temperaturama izvan okvira određenog opsega može oštetiti bateriju i povećati opasnost od požara.

SERVISIRANJE

- **Servisiranje električnog alata prepustite kvalifikovanom osoblju za popravak koje upotrebljava samo identične zamjenske dijelove.** Time će se osigurati održavanje sigurnosti električnog alata.
- **Nemojte nikada servisirati oštećene komplete baterija.** Servisiranje kompleta baterija smiju obavljati samo proizvođač ili ovlašteni serviseri.

⚠ UPOZORENJE! Pročitajte sva sigurnosna upozorenja, uputstva, sve ilustracije i specifikacije isporučene s ovim električnim alatom.

Zanemarivanje svih uputstava navedenih u nastavku može rezultirati strujnim udarom, požarom i/ili teškim povredama. Sačuvajte sva upozorenja i uputstva za buduće potrebe.

Sačuvajte sva upozorenja i uputstva za buduće potrebe.

OBUKA

- Pažljivo pročitajte uputstvo. Upoznajte se s upravljačkim elementima i propisnom upotrebom uređaja.
- Nemojte nikada dozvoliti da osobe koje nisu pročitale ova uputstva ili djeca upotrebljavaju uređaj. Lokalni propisi mogu ograničavati starosnu dob rukovaoca.
- Napominjemo da je rukovalac ili korisnik odgovoran za nesreće ili opasnosti za druge osobe ili njihovu imovinu.

PRIPREMA

- Ovaj uređaj nemojte nikada upotrebljavati kada se u blizini nalaze osobe, a posebno djeca ili kućni ljubimci.
- Nosite zaštitu za oči i čvrstu obuću cijelo vrijeme dok upotrebljavate ovaj uređaj.
- Razmak između proizvoda i posmatrača treba biti najmanje 15 m.
- Nemojte nikada upotrebljavati uređaj kada ste umorni, bolesni ili pod uticajem alkohola ili drugih opojnih sredstava.

RAD

- Uređaj upotrebljavajte samo na dnevnom svjetlu ili pri dobrom umjetnom osvjetljenju.
- Uređaj nemojte nikada upotrebljavati ako su štitnici ili zaštitni uređaji oštećeni ili ako nisu na svom mjestu.
- Motor uključite samo kada se ruke i stopala nalaze podalje od reznih elemenata.
- Uređaj uvijek isključite iz strujnog napajanja (tj. izvadite komplet baterija).
 - kada uređaj ostavljate bez nadzora;
 - prije čišćenja blokada;
 - prije provjere, čišćenja ili rada na uređaju;
 - nakon udaranja o strani predmet;
 - kada uređaj počne neuobičajeno vibrirati.
- Zaštitite se od povreda stopala i ruku od reznih elemenata.
- Uvijek vodite računa da ventilacijski otvori ne budu zapriječeni.

ODRŽAVANJE I SKLADIŠTENJE

- Prije obavljanja radova održavanja ili čišćenja, uređaj isključite iz strujnog napajanja (tj. izvadite komplet baterija).
- Upotrebljavajte samo zamjenske dijelove i dodatnu opremu koje je preporučio proizvođač.
- Redovno obavljajte pregled i održavanje uređaja. Popravak proizvoda prepustite samo ovlaštenom osoblju za popravak.
- Kada ga ne upotrebljavate, uređaj skladištite izvan dohvata djece.

OSTALA SIGURNOSNA UPOZORENJA

- Izbjegavajte opasna okruženja. – Uređaje nemojte upotrebljavati na vlažnim ili mokrim nagibima.
- Održavajte štitnike na njihovom mjestu i u radnom stanju.
- Ruke i stopala držite podalje od područja rezanja.
- Radi smanjenja opasnosti od povreda, nemojte nikada raditi na ljestvama ili na nekoj drugoj nesigurnoj podlozi. Reznu jedinicu nemojte nikada držati na visini iznad struka.
- Reznu jedinicu tokom rada redovno provjeravajte u kratkim intervalima ili odmah ako uočite primjetnu promjenu u postupku rezanja.
- Za najbolje rezultate bateriju je potrebno puniti na mjestu gdje je temperatura viša od 5 °C i niža od 40 °C. Bateriju nemojte skladištiti na otvorenom ili u vozilu.

- Ako vam neko prilazi, zaustavite motor i reznu jedinicu.
- Upozorite rukovaoca na opasnost od povratnog udara noža (samo ako upotrebljavate trokraki nož).
 - Povratni udar noža može se dogoditi kada rotirajući nož dođe u kontakt s predmetom kojeg ne može odmah odrezati.
 - Povratni udar noža može biti dovoljno silovit da rezultira odbacivanjem jedinice i/ili rukovaoca u bilo kojem smjeru i mogućim gubitkom kontrole nad jedinicom.
 - Povratni udar noža može se dogoditi bez upozorenja ako nož zapne, ako blokira ili se zaglavi.
 - Povratni udar noža prije će se dogoditi u područjima gdje je teško vidjeti materijal koji se reže.
- Nemojte pričvršćivati nož na jedinicu bez propisnog postavljanja svih potrebnih dijelova. Zanemarivanje upotrebe propisnih dijelova može rezultirati odbacivanjem noža i teškim povredama rukovaoca i/ili posmatrača. Zbrinite noževe koji su savijeni, deformisani, napuknuti, polomljeni ili oštećeni na bilo koji način. Upotrebljavajte oštar nož. Tup nož prije će zapeti i uzrokovati povratni udar (samo ako upotrebljavate trokraki nož).
- Nož/nit u praznom hodu može uzrokovati povrede dok se još okreće nakon zaustavljanja motora ili otpuštanja okidača. Održavajte propisnu kontrolu dok se nož/nit u potpunosti ne zaustavi.
- Baterijske alate nije potrebno uključivati u električnu utičnicu, stoga su uvijek u radnom stanju. Imajte na umu moguće opasnosti čak i kada alat ne radi. Budite oprezni pri obavljanju radova održavanja ili servisiranja.
- Uređaj nemojte prati crijevom; izbjegavajte da voda dospje u motor i električne priključke.
- Ako se pojave situacije koje nisu obuhvaćene ovim priručnikom, postupite oprezno i uz dobru procjenu. Za pomoć se obratite centru korisničke službe proizvođača EGO.
- Upotrebljavajte samo s kompletima baterija i punjačima koji su navedeni na sl. A.

SAČUVAJTE OVA UPUTSTVA!

TEHNIČKI PODACI

Rezni mehanizam	Rezna glava
Prečnik rezne niti	Najlonska rezna nit 2,4 mm
Širina rezanja	38 cm

BS

Brzina vrtnje bez opterećenja	5000/6000 min ⁻¹	
Masa (bez kompleta baterija)	1,59 kg	
Preporučena radna temperatura	0°C-40°C	
Preporučena temperatura skladištenja	-20°C-70°C	
Izmjereni nivo zvučne snage L _{WA}	94,6 dB(A) K=1,80 dB(A)	
Nivo zvučnog pritiska kod uha rukovaoca L _{PA}	83,2 dB(A) K= 3 dB(A)	
Zagarantovani nivo zvučne snage L _{WA} (izmjereno u skladu s Direktivom 2000/14/EZ)	96 dB(A)	
Procjena vibracija ah:	Prednji pomoćni rukohvat	1,1 m/s ² K=1,5 m/s ²
	Stražnji rukohvat	1,4 m/s ² K=1,5 m/s ²

- Gore navedeni parametri ispitani su i izmjereni za uređaj opremljen pogonskom jedinicom PH1400E.
- Deklarisane ukupne vrijednosti vibracija izmjerene su u skladu sa standardnom metodom ispitivanja i mogu se primjenjivati za poređenje jednog alata s drugim.
- Deklarisane ukupne vrijednosti vibracija mogu se primjenjivati i u preliminarnoj procjeni izloženosti.

NAPOMENA! Emisija vibracija tokom aktualne upotrebe električnog alata može se razlikovati od deklarirane vrijednosti u kojoj se alat upotrebljavao; Korisnik radi zaštite treba nositi rukavice i štitnike za uši u aktualnim uslovima upotrebe.

LISTA PAKOVANJA

NAZIV DIJELA	KOLIČINA
Priključak trimera s reznom niti	1
Štitnik	1
Inbus ključ	1
Višefunkcijski ključ	1
Korisnički priručnik	1

Za preporučenu reznu nit posjetite internetsku stranicu egopowerplus.com ili pogledajte katalog proizvoda proizvođača EGO.

OPIS

UPOZNAJTE SVOJ PRIKLJUČAK TRIMERA S REZKOM NITI (sl. A)

1. Krajnja kapica
2. Drška trimera s reznom niti
3. Rezna nit
4. Glava trimera (reзна glava)
5. Jezičak za otpuštanje
6. Nož za rezanje rezne niti
7. Štitnik
8. Inbus ključ
9. Višefunkcijski ključ

⚠ UPOZORENJE! Alat nemojte nikada upotrebljavati bez dobro pričvršćenog štitnika. Štitnik uvijek mora biti na alatu radi zaštite korisnika.

SASTAVLJANJE

⚠ UPOZORENJE! Ako je bilo koji dio oštećen ili ako nedostaje, nemojte upotrebljavati ovaj proizvod dok ne zamijenite dijelove. Upotreba ovog proizvoda oštećenih dijelova ili dijelova koji nedostaju može rezultirati teškim tjelesnim povredama.

⚠ UPOZORENJE! Nemojte pokušavati da modifikujete ovaj proizvod ili da pravite pribor koji nije preporučen za upotrebu s ovim trimera s reznom niti. Sve takve izmjene ili modifikacije predstavljaju nepropisnu potrebu i mogu rezultirati opasnim stanjima koja mogu dovesti do mogućih teških tjelesnih povreda.

⚠ UPOZORENJE! Nemojte priključivati pogonsku jedinicu dok ne završite montažu. Nepostupanje u skladu s tim može rezultirati iznenadnim pokretanjem i mogućim teškim tjelesnim povredama.

POSTAVLJANJE ŠTITNIKA

⚠ UPOZORENJE! Pri postavljanju štitnika ili zamjeni štitnika uvijek nosite rukavice. Budite opretni s nožem na štitniku i zaštitite ruke od povreda nožem.

Otpustite i uklonite dva vijka sa štitnika (sl. C). Poravnajte montažne provrte na štitniku s montažnim provrtima i štitnik zatim pričvrstite na kućište drške s dva vijka i dvije opružne podloške (sl. D).

Uvjerite se da je štitnik pričvršćen u skladu sa sl. C i D. Svako obrnuto pričvršćivanje izazvat će veliku opasnost!

PRIKLJUČIVANJE PRIKLJUČKA TRIMERA S REZNOM NITI NA POGONSKU JEDINICU

Ovaj priključak trimera s reznom niti predviđen je za upotrebu s pogonskom jedinicom PH1400E proizvođača EGO.

Pogledajte poglavlje “**POSTAVLJANJE PRIKLJUČKA NA POGONSKU JEDINICU**“ u korisničkom priručniku pogonske jedinice PH1400E.

RAD

⚠ UPOZORENJE! Nemojte dozvoliti da vas poznavanje ovog proizvoda učini nepažljivim. Imajte na umu da je za nanošenje teških povreda dovoljan samo djelić sekunde nepažnje.

⚠ UPOZORENJE! Uvijek nosite zaštitu za oči, zajedno sa zaštitom za sluh. Nestupanje u skladu s tim može rezultirati odbacivanjem predmeta u oči i drugim mogućim teškim povredama.

PRIMJENE

Ovaj proizvod možete upotrebljavati za svrhe navedene u nastavku:

- šišanje trave i korova oko trijemova, ograda i verandi.

NAPOMENA! Alat se smije upotrebljavati samo za prethodno opisanu namjenu. Svaka druga upotreba smatra se nepropisnom upotrebom.

Prije svake upotrebe provjerite ima li oštećenih/istrošenih dijelova.

Provjerite glavu trimera, štitnik i prednji pomoćni rukohvat i zamijenite sve dijelove koji su napukli, deformisani, savijeni ili oštećeni na bilo koji način.

Nož za rezanje rezne niti na rubu štitnika vremenom može postati tup. Preporučujemo povremeno oštrenje noža turpijom ili zamjenu noža.

⚠ UPOZORENJE! Pri postavljanju ili zamjeni štitnika ili oštrenju ili zamjeni noža uvijek nosite rukavice. Pazite na mjesto noža na štitniku i zaštitite ruke od povreda.

⚠ UPOZORENJE! Radi sprečavanja teških tjelesnih povreda, prije servisiranja, čišćenja, promjene priključaka ili uklanjanja materijala iz jedinice izvadite komplet baterija iz pogonske jedinice.

UPOTREBA TRIMERA S REZNOM NITI S POGONSKOM JEDINICOM

⚠ UPOZORENJE! Obucite se propisno kako biste smanjili rizik od povreda tokom rukovanja alatom. Nemojte nositi široku odjeću ili nakit. Nosite zaštitu za oči i uši/sluh. Nosite robusne duge hlače, čizme i rukavice. Nemojte nositi kratke hlače, sandale ili biti bosonogi.

⚠ UPOZORENJE! Očistite radno područje prije svake upotrebe. Uklonite sve predmete poput kamenja, razbijenog stakla, eksera, žica ili niti koje trimer može odbaciti ili koji se mogu zaplesti u rezni priključak. Iz područja udaljite djecu, posmatrača i kućne ljubimce. Držite djecu, posmatrača i kućne ljubimce udaljene najmanje 15 m; za posmatrača čak i tada postoji opasnost od odbačenih predmeta. Posmatrača je potrebno zamoliti da nose zaštitu za oči. Ako vam neko prilazi, odmah zaustavite motor i rezni priključak.

Radi sigurnog i boljeg rada stavite ramenu traku preko ramena. Podesite ramenu traku u položaj ugodan za rad. Trimer s reznom niti jednom rukom držite za stražnji rukohvat, a drugom rukom za prednji pomoćni rukohvat. Tokom rukovanja rukohvate čvrsto primite objema rukama. Trimer s reznom niti potrebno je držati u ugodnom položaju sa stražnjim rukohvatom u visini kuka. Glava trimera treba stajati paralelno u odnosu na tlo tako da jednostavno dodiruje materijal kojeg je potrebno rezati bez potrebe za naginjanjem rukovaoca (sl. B).

⚠ UPOZORENJE! Ramena traka je i mehanizam za brzo otpuštanje u opasnim situacijama. U slučaju nužde ramenu traku odmah skinite s ramena, bez obzira na način na koji je stavljena.

Očistite trimer nakon svake upotrebe.

Za uputstva za čišćenje pogledajte poglavlje ODRŽAVANJE.

POKRETANJE/ZAUSTAVLJANJE ALATA

Pogledajte poglavlje “**POKRETANJE/ZAUSTAVLJANJE POGONSKJE JEDINICE**“ u korisničkom priručniku pogonske jedinice PH1400E.

PODEŠAVANJE DUŽINE REZNE NITI

Glava trimera rukovaocu omogućuje otpuštanje više rezne niti bez zaustavljanja motora. Ako se rezna nit pohaba ili istroši, laganim dodirivanjem glave trimera o tlo tokom rukovanja trimenom moguće je otpustiti više niti (sl. E).

NAPOMENA! Otpuštanje niti teže je kako se rezna nit skraćuje.

⚠ UPOZORENJE! Nemojte uklanjati sklop noža za rezanje rezne niti ili ne obavljajte preinake na njemu. Prevelika dužina niti uzrokovat će pregrijavanje motora što može rezultirati teškim tjelesnim povredama.

ZAMJENA REZNE NITI

NAPOMENA! Uvijek upotrebljavajte preporučenu najlonsku reznu nit prečnika ne većeg od 2,4 mm. Upotreba rezne niti drukčije od navedene može uzrokovati pregrijavanje ili oštećenje trimera.

⚠ UPOZORENJE! Nemojte nikada upotrebljavati metalom ojačane niti, žicu ili uže i sl. jer mogu se odlomiti i postati opasni projektili.

1. Izvadite komplet baterija.
2. Ako je potrebno, uklonite preostalu reznu nit. Jednostavno je povucite rukom.
3. Odrežite 4 m rezne niti i umetnite reznu nit u montažni provrt u ušici (sl. F). Provcucite reznu nit i povlačite je s druge strane dok rezna nit ne bude iste dužine s obje strane kalema.
4. Pritisnite dok sklop donjeg poklopca okrećete u smjeru strelice kako biste reznu nit namotali na kalem tako da sa svake strane ostane oko 14 cm rezne niti (sl. G).
5. Gurnite sklop donjeg poklopca prema dolje pritom povlačeći reznu nit kako biste je ručno pomjerali prema naprijed i provjerili ispravnu montažu glave trimera.

Ako se rezna nit otkine na izlazu niti ili ako se rezna nit ne otpusti lupkanjem po glavi trimera, slijedite korake u nastavku:

1. Izvadite komplet baterija.
2. Pritisnite jezičke za otpuštanje na gornjem poklopcu i uklonite sklop donjeg poklopca povlačeći ga ravno van (sl. H i I).
3. Izvadite reznu nit iz kalema.
4. Jednom rukom držite gornji poklopac, drugom rukom uzmete sklop donjeg poklopca i poravnajte jezičke na gornjem poklopcu s provrtima u kućištu sklopa donjeg poklopca (sl. J); dlanom pritišćite i okrećite sklop donjeg poklopca ulijevo i udesno dok jezičci ne ulegnu u gornji poklopac (sl. K).
5. Za ponovno namotavanje rezne niti slijedite uputstva u poglavlju "ZAMJENA REZNE NITI".

Ako alat namjeravate upotrebljavati kao čistač šikare, za skidanje glave trimera pratite korake prikazane na sl. L i M.

ODRŽAVANJE

⚠ UPOZORENJE! Prije pregleda, čišćenja ili servisiranja jedinice, zaustavite motor, pričekajte da se svi pokretni dijelovi zaustave i izvadite komplet baterija. Nepostupanje prema ovim uputstvima može rezultirati teškim povredama ili materijalnom štetom.

⚠ UPOZORENJE! Kada obavljate radove servisiranja, upotrebljavajte samo identične zamjenske dijelove. Upotreba drugih dijelova može uzrokovati opasnost ili oštećenje proizvoda. Radi osiguranja sigurnosti i pouzdanosti, sve popravke drukčije od navedenih u ovim uputstvima za održavanje treba obavljati kvalifikovani servisni tehničar.

OSNOVNO ODRŽAVANJE

Kada čistite plastične dijelove, izbjegavajte upotrebljavati rastvore. Mnoge plastike mogu se oštetiti različitim vrstama komercijalnih rastvora i mogu se oštetiti njihovom upotrebom. Za uklanjanje prijavštine, prašine, ulja, masti i sl. upotrebljavajte čiste krpe.

ČIŠĆENJE JEDINICE

- Očistite travu koja se možda orotala oko osovine motora ili glave trimera.
- Za čišćenje zračnih ventilacijskih otvora na stražnjem kućištu upotrebljavajte malu četku ili mali usisivač.
- Jedinicu čistite vlažnom krpom i blagim deterdžentom.
- Za čišćenje plastičnog kućišta ili rukohvata nemojte upotrebljavati jake deterdžente jer mogu ih oštetiti neka aromatična ulja, kao što su borovo i limunovo ulje i rastvori kao što je kerozin. Vлага može izazvati opasnost od strujnog udara. Vlažna mjesta obrišite mekanom suhom krpom.

PODMAZIVANJE PRIJENOSNIKA

Prijenosnike u kućištu potrebno je povremeno podmazivati mašću za prijenosnike. Nivo masti u kućištu prijenosnika provjeravajte svakih 50 radnih sati uklanjanjem brtvenog vijka na strani kućišta.

Ako se na bočnim stranama prijenosnika ne vidi mast, za punjenje s mašću za prijenosnike do 3/4 zapremine pratite korake u nastavku.

Prijenosnik nemojte puniti u cijelosti.

1. Držite trimmer s reznom niti na njegovoj bočnoj strani tako da brtveni vijak bude usmjeren prema gore.
2. Za otpuštanje i uklanjanje brtvenog vijka upotrijebite isporučeni višefunkcijski ključ.
3. Za ubrizgavanje masti u provrt za vijke upotrebljavajte mazalicu (nije u sadržaju isporuke); nemojte prekoračivati 3/4 zapremine.
4. Brtveni vijak pritegnite nakon ubrizgavanja.

SKLADIŠTENJE JEDINICE

- Izvadite komplet baterija iz trimera.
- Alat dobro očistite prije skladištenja.
- Ako se priključak trimera s reznom niti skida s pogonske jedinice i skladišti zasebno: stavite krajnju kapicu na dršku priključka kako biste izbjegli da nečistoća dospije u spojku.
- Jedinicu skladištite na suhom, dobro prozračenom mjestu koje je moguće zaključati ili koje je na visini izvan dohvata djece. Jedinicu nemojte skladištiti na gnojivima, benzinu ili drugim hemikalijama ili u njihovoj blizini.

Zaštita životne sredine



Električnu opremu, punjač baterije i baterije/punjive baterije ne odlažite u kućni otpad!

Evropska Direktiva 2012/19/EU o električnoj i elektroničkoj opremi koja više nije iskoristiva i Evropska Direktiva 2006/66/EZ zahtijevaju da se neispravni ili iskorišteni kompleti baterija/baterije moraju sakupljati zasebno.

Ako se električni uređaji odlažu na odlagališta otpada ili deponije, opasne tvari mogu iscurjeti u podzemne vode i dospjeti u lanac ishrane i negativno uticati na zdravlje i dobrobit ljudi.

OTKLANJANJE PROBLEMA

UZROK	PROBLEM	RJEŠENJE
Trimer s reznom nije moguće pokrenuti.	<ul style="list-style-type: none"> ■ Komplet baterija nije pričvršćen na pogonsku jedinicu. ■ Nema električnog kontakta između pogonske jedinice i kompleta baterija. ■ Komplet baterija je ispražnjen. ■ Ručica za deblokadu i okidač ne pritišću se istovremeno. 	<ul style="list-style-type: none"> ■ Pričvrstite komplet baterija na glavu alata. ■ Izvadite bateriju, provjerite kontakte i ponovo stavite komplet baterija tako da zvučno ulegne. ■ Komplet baterija puniti punjačima proizvođača EGO koji su navedeni u ovom priručniku. ■ Pritisnite ručicu za deblokadu i držite je pritisnutom, a zatim pritisnite okidač kako biste uključili trimer s reznom niti.
Trimer s reznom niti zaustavlja se tokom rezanja.	<ul style="list-style-type: none"> ■ Štitnik nije postavljen na trimer, što rezultira predugačkom reznom niti i preopterećenjem motora. ■ Upotrebljava se teška rezna nit. ■ Osovinu motora ili glavu trimera blokira trava. ■ Motor je preopterećen. ■ Komplet baterija ili trimer s reznom niti je previše vruć. ■ Komplet baterija je odspojen od alata. ■ Komplet baterija je ispražnjen. 	<ul style="list-style-type: none"> ■ Izvadite komplet baterija i postavite štitnik na trimer. ■ Upotrebljavajte preporučenu najlonsku reznou nit prečnika ne većeg od 2,4 mm. ■ Zaustavite trimer, izvadite bateriju i očistite travu s osovine motora i glave trimera. ■ Očistite glavu trimera od trave. Motor će se povratiti po uklanjanju opterećenja. Glavu trimera prilikom rezanja pomjerajte u travu i iz trave i jednim rezom ne uklanjajte više od 20 cm dužine. ■ Pričekajte da se komplet baterija ili trimer ohladi na temperaturu ispod 67 °C. ■ Ponovo stavite komplet baterija. ■ Komplet baterija puniti punjačima proizvođača EGO koji su navedeni u ovom priručniku.

UZROK	PROBLEM	RJEŠENJE
Glava trimera ne izvlači reznu nit.	<ul style="list-style-type: none"> ■ Osovinu motora ili glavu trimera blokira trava. ■ Na kalemu nema dovoljno rezne niti. ■ Glava trimera je zaprljana. ■ Rezna nit zapetijala se u sklopu glave trimera. ■ Rezna nit je prekratka. 	<ul style="list-style-type: none"> ■ Zaustavite trimmer, izvadite bateriju i očistite osovinu motora i glavu trimera. ■ Izvadite bateriju i zamijenite reznu nit; slijedite uputstva u poglavlju “ZAMJENA REZNE NITI” u ovom uputstvu za upotrebu. ■ Izvadite bateriju i očistite kalem, sklop donjeg poklopca i gornji poklopac. ■ Izvadite bateriju, uklonite reznu nit iz kalema i ponovo je namotajte; slijedite uputstva u poglavlju “PONOVNO NAMOTAVANJE REZNE NITI” u ovom uputstvu za upotrebu. ■ Izvadite bateriju i rukom povucite rezne niti dok naizmjenično pritišćete i otpuštate glavu trimera.
Trava se omotava oko glave trimera i kućišta motora.	<ul style="list-style-type: none"> ■ Visoka trava reže se od nivoa tla. 	<ul style="list-style-type: none"> ■ Visoku travu režite odozgo prema dolje i pritom ne režite više od 20 cm u svakom prolazu kako biste izbjegli omotavanje.
Nož ne reže reznu nit.	<ul style="list-style-type: none"> ■ Nož za rezanje rezne niti na rubu štitnika je tup. 	<ul style="list-style-type: none"> ■ Nož za rezanje rezne niti naoštrite turpijom ili ga zamijenite novim.
Pukotine na glavi trimera ili sklop donjeg poklopca se otpustio s kućišta kalema.	<ul style="list-style-type: none"> ■ Glava trimera je istrošena. 	<ul style="list-style-type: none"> ■ Odmah zamijenite glavu trimera; slijedite uputstva u poglavlju “ZAMJENA GLAVE TRIMERA” u ovom uputstvu za upotrebu.
Tokom zamjene rezne niti, reznu nit nije moguće propisno uvući u glavu trimera.	<ul style="list-style-type: none"> ■ Rezna nit nije ispravno umetnuta u montažni provrt u ušici. 	<ul style="list-style-type: none"> ■ Prvo poravnajte crtice LOAD s ušicama, a zatim reznu nit umetnite u montažni provrt koji se nalazi u ušici.

GARANCIJA

POLITIKA GARANCIJE PROIZVOĐAČA EGO

Za sve odredbe i uslove politike garancije proizvođača EGO posjetite internetsku stranicu egopowerplus.com.

קראו את כל ההוראות!



קראו והבינו את מדריך ההוראות

⚠ סיכון שאריתי! אנשים בעלי מכשירים חשמליים כגון קוצבי לב, צריכים להתייעץ עם הרופא(ים) המטפל(ים) בהם לפני השימוש במכשיר זה. הפעלה של ציוד חשמלי בקרבת קוצבי לב עלולה להפריע לפעולת הקוצב או אפילו להפסיק את פעולתו.

⚠ אזהרה: על מנת להבטיח בטיחות ואמינות, יש לבצע את כל התיקונים וההחלפות בעזרת טכנאי שירות מוסמך.

סימני בטיחות

מטרתם של סימני הבטיחות היא למשוך את תשומת לבכם אל סכנות אפשריות. סימני הבטיחות וההסברים שלהם דורשים את תשומת הלב וההבנה המלאות שלכם. סימני הבטיחות בעצמם לא ימנעו כל סכנה. ההוראות והאזהרות אותן הם מספקים לא תחלפנה נקיטת אמצעי מניעה מתאימים בעת תאונתו..

⚠ אזהרה: וודאו שאתם קוראים ומבינים את כל ההוראות הבטיחות המופיעות במדריך זה למשתמש, כולל את כל סימני התרעות הבטיחות כגון „סכנה“, „אזהרה“ ו-„זהירות“ לפני השימוש במכשיר זה. אי מילוי אחר כל ההוראות המופיעות למטה יכול לגרום אחריו שוק חשמלי, שרפה ו/או פציעות חמורות.

פירוש הסימן

⚠ סימן התרעת בטיחות: מראה סכנה, אזהרה, או זהירות, יכול להיות מלווה בסימנים או תמונות אחרים.

⚠ אזהרה: הפעלה של כל מכשיר עלולה לגרום לעצמים זרים להיזרק אל תוך העיניים, דבר העלול לגרום לנזק חמור לעיניים. לפני הפעלה של כל מכשיר, ענדו תמיד משקפי מגן או משקפי בטיחות עם הגנה צדדית, ובעת הצורך, הגנה עבור כל הפנים. אנו ממליצים על שימוש במסכת בטיחות רחבה מעל למשקפי המגן או על שימוש במשקפי בטיחות עם הגנה צדדית.



הוראות בטיחות

עמוד זה מציין ומתאר את סימני הבטיחות העלולים להופיע על גבי המוצר. קראו, הבינו ועקבו אחר ההוראות המופיעות על המכונה לפני כל ניסיון להרכיב ולהשתמש בה.

	התרעת בטיחות	מראה על סכנת פציעה אישית פוטנציאלית.
	קראו את מדריך ההוראות	על מנת להפחית את הסיכון לפציעות, על המשתמש לקרוא ולהבין את המדריך למשתמש לפני השימוש במוצר זה.
	לבשו מגני עיניים	ענדו תמיד משקפי מגן או משקפי בטיחות עם הגנה צדדית, ובעת הצורך, הגנה עבור כל הפנים, בעת הפעלת מכשיר זה.
	לבשו מגני אוזניים	השתמשו תמיד במחסומי קול (אזניות או אטמי אוזניים) על מנת להגן על השמיעה שלכם.
	לבשו מגני ראש	הבשו קובע קישו מאושר על מנת להגן על הראש שלכם.
	לבשו כפפות מגן	הגנו על הידיים שלכם בעזרת כפפות בעת הטיפול בלהב או במגן הלהב. כפפות כבדות, שאינן מחליקות משפרות את האחיזה שלכם ומגנות על הידיים.
	לבשו נעליים בטוחות	נעלו נעליים כבדות, שאינן מחליקות בעת השימוש בציוד זה.
	רוחב חיתוך	רוחב החיתוך המקסימלי של חוט הגוזם
	קוטר החוט	קוטר חוט החיתוך מניילון
	ללא להב עגול	נא לא להתקין להבי חיתוך עגולים.
	בקשו מאנשים אחרים להתרחק	וודאו שאנשים אחרים וחיות מחמד נמצאים במרחק של לפחות 15 מ' מגוזם הדשא בעת השימוש בו.
	בקשו מאנשים אחרים להתרחק	וודאו שאנשים אחרים וחיות מחמד נמצאים במרחק של לפחות 51 מ' מגוזם החוט בעת השימוש בו.
	נא לא לחשוף לגשם	נא לא להשתמש במזג אוויר גשום או להשאיר בחוץ בגשם.
	CE	מוצר זה תואם לתקנות ה-EC הרלוונטיות.

	WEEE	אין לזרוק מוצרים חשמליים ביחד עם אשפה ביתית. הביאו את המכשיר למרכז מחזור מוסמך.
	רעש	רמת עוצמת קול מובטחת. פליטת רעש אל הסביבה בהתאם לתקנת האיחוד האיירופי.
V	וולט	מתח
mm	מילימטר	אורך או גודל
cm	סנטימטר	אורך או גודל
kg	קילוגרם	משקל

הוראות בטיחות חשובות/אזהרות בטיחות כלליות עבור מכשירים חשמליים

⚠ אזהרה: קראו את כל אזהרות הבטיחות, את ההוראות, התמונות והמפרטים המסופקים ביחד עם מכשיר חשמלי זה. אי מילוי אחר כל ההוראות המופיעות למטה יכול לגרום אחריו שוק חשמלי, שרפה ו/או פציעות חמורות.

שימרו את כל האזהרות וההוראות לעיון עתידי.

המושג "מכשיר חשמלי" בחלק האזהרות מתייחס אל המכשיר החשמלי שלכם (חוטי) או מכשיר חשמלי המונע על ידי סוללות (אלחוטי).

בטיחות סביבת העבודה

- שימרו על סביבת העבודה נקייה ומוארת כהלכה. סביבות לא מסודרות ואפלות מזמינות תאונות.
- אל תפעילו את המכשיר החשמלי באזורים דליקים, בנוכחות נוזלים דליקים, גזים או אבק. המכשירים החשמליים מייצרים ניצוצות העלולים להצית את האבק או האדים.
- בקשו מילדים ומעוברי אורח להתרחק מן המכשיר החשמלי בעת הפעלתו. הסחות דעת עלולות לגרום לכם לאבד את השליטה.

בטיחות אישית

- הישארו דרוכים, הביטו במה שאתם עושים והשתמשו בשכל הישר כאשר אתם משתמשים במכשיר החשמלי. נא לא להשתמש במכשיר החשמלי כאשר אתם עייפים או תחת השפעה של סמים, אלכוהול או תרופות. רגע אחד של חוסר תשומת לב בעת הפעלת המכשיר החשמלי עלול לגרום לפציעה אישית חמורה.

- השתמשו בצידוד הגנה אישי. **תמיד לבשו מגני עיניים.** כאשר נעשה שימוש בצידוד הגנה כגון מסכת אבק, נעלי בטיחות נגד החלקה, כובעים קשים או מגני אוזניים, בתנאים המתאימים, הדבר יפחית את הסיכון לפציעות אישיות חמורות.

- מנעו הפעלה מקרית. **וודאו שהמתג נמצא במצב כבוי לפני חיבור של מקור מתח ו/או מארז הסוללה, לפני הרמת המכשיר החשמלי או נשיאתו.** נשיאה של מכשירים חשמליים כאשר האצבע שלכם ממוקמת על המתג או חיבור מקורות מתח למכשירים חשמליים בנמצאים במצב פועל, מזמינים תאונות.

- הסירו כל כלי כוונון או מפתח ברגים לפני ההפעלה של המכשיר החשמלי. מפתח ברגים או כלי כוונון המוצמד אל חלק מסתובב של המכשיר החשמלי עלולה לגרום לפציעה אישית חמורה.

- אל תבצעו מאמץ יתר. שימרו על צעידה ואיזון בטוחים בכל זמן. הדבר מאפשר שליטה טובה יותר במכשיר החשמלי במצבים לא צפויים.

- לבשו בגדים מתאימים. אל תלבשו בגדים רפויים או תכשיטים. שימרו על השיער שלכם ועל חלקי ביגוד וכפפות הרחק מחלקים נעים. בגדים רפויים, תכשיטים או שיער ארוך עלולים להיתפס בחלקים הנעים.

- אם המכשירים מגיעים ביחד עם חיבור להוצאת אבק ומתקני איסוף, וודאו שאלו מחוברים כהלכה והשימוש בהם נעשה באופן נכון. השימוש במתקני אבק יכול להפחית סכנות הקשורות לאבק.

- אל תאפשרו לעצמכם להיות פחות זהירים בגלל שימוש תכוף במכשיר החשמלי, אל תהיו שאננים ואל תתעלמו מעקרונות הבטיחות. פעולה לא זהירה עלולה לגרום לפציעה חמורה בשבריר שנייה.

השימוש והטיפול במכשיר החשמלי

- אל תפעילו כוח על המכשיר החשמלי. השתמשו במכשיר החשמלי המיועד למטרה שלכם. המכשיר החשמלי הנוכח יבצע את עבודתו בצורה טובה ובטוחה יותר בקצב בו הוא עובד.
- אל תשתמשו במכשיר החשמלי אם מתג ההפעלה והכיבוי איננו פועל. כל מכשיר חשמלי אשר לא ניתן לשלוט בו בעזרת המתג הוא מסוכן ויש לתקן אותו.
- אחסנו מכשירים חשמליים אשר אינם בשימוש הרחק מהשיג ידם של ילדים ואל תאפשרו לאנשים אשר אינם מכירים את המכשיר החשמלי או אשר לא קראו את ההוראות להפעיל את המכשיר החשמלי. מכשירים חשמליים מסוכנים בידם של אנשים אשר לא הוכשרו להפעיל אותם.
- תחזקו מכשירים חשמליים ואביזרים. בדקו יישור או ליפוף של חלקים נעים, שבירה של חלקים וכל תנאים אחרים אשר עלולים להשפיע על פעולת המכשיר החשמלי. אם המכשיר החשמלי ניזוק, יש לתקן אותו לפני השימוש בו. תאונות רבות נגרמות כתוצאה מתחזוקה לקויה מכשירים חשמליים.

שירות

- ביצעו עבודות שירות על המכשיר החשמלי שלכם רק באמצעות טכנאי שירות מוסמך העושה שימוש רק בחלקי חילוף זהים. הדבר יבטיח שבטיחות המכשיר החשמלי נשמרת.
- לעולם אל תבצעו עבודות שירות למארזי סוללה ניזוקים. שירות למארזי סוללה צריך להתבצע רק על ידי היצרן או ספקי שירות מוסמכים.

⚠ אזהרה: קראו את כל האזהרות הבטיחות, את ההוראות, התמונות והמפרטים המסופקים ביחד עם מכשיר חשמלי זה. אי מילוי אחר כל ההוראות המופיעות למטה יכול לגרום אחריו שוק חשמלי, שרפה ו/או פציעות חמורות. שימרו את כל האזהרות וההוראות לעיון עתדי.

שימרו את כל האזהרות וההוראות לעיון עתידי

הכשרה

- קראו את ההוראות בעיון. למדו היטב את הבקרות ואת השימוש המתאים במכשיר.
- לעולם אל תרשו לאנשים או ילדים אשר אינם מכירים הוראות אלו להשתמש במכשיר. תקנות מקומיות עלולות להגביל את גיל המפעיל.
- המפעיל או המשתמש אחראים עבור כל תאונה או סכנה אשר עלולים להתרחש לאנשים אחרים או לרכושם.

הכנה

- לעולם אל תפעילו את המכונה כאשר ישנם אנשים, במיוחד ילדים, או חיות מחמד בסביבה.
- השתמשו בהגנה לעיניים ובעגליים מוצקות בעת השימוש במכשיר.
- במרחק בין המכשיר ובין האנשים הנמצאים בקרבתה צריך להיות לפחות 15 מ'.
- לעולם אל תפעילו את המכשיר כאשר המפעיל עייף, חולה או תחת השפעת אלכוהול או סמים אחרים.

הפעלה

- השתמשו במכשיר רק באור יום או באור מלאכותי חזק.
- לעולם אל תעשו שימוש במכשיר עם מגנים ניזוקים או מגנים אשר אינם נמצאים במקומם.
- הפעילו את המנוע רק כאשר הידיים והרגליים נמצאות מחוץ לטווח אמצעי החיתוך.
- נתקו תמיד את המכשיר ממקור המתח (או הסירו את המארז הסוללה).
- כאשר אין אף אחד בקרבת המכונה;
- לפני ניקיון של מחסום;
- לפני בדיקה, ניקיון או עבודה על המכשיר;
- לאחר פגיעה בעצם זר;
- כאשר המכשיר מתחיל לרטוט בצורה שאיננה נורמלית.
- היו זהירים מפני פציעות של ידיים ורגליים על ידי אמצעי החיתוך.

שימרו על כלי החיתוך חדים ונקיים. לכלי חיתוך אשר תוחזקו כהלכה בעלי קצוות חדים יש פחות סיכוי לבצע לייפוף וקל יותר לשלוט בהם.

השתמשו במכשירים החשמליים, באביזרים, בחתיכות המכשירים וכו' בהתאם להוראות אלו, כאשר אתם לוקחים בחשבון את תנאי העבודה ואת העבודה שיש לבצע. שימוש במכשיר החשמלי לפעולות אחרות מאשר אלו אליהן הוא מיועד עלול להסתיים במצב מסוכן.

שימרו על הידיות ועל חלקי האחיזה יבשים, נקיים וללא שמן או חומרי סיכה. ידיות ומשטחי אחיזה מחליקים לא מאפשרים טיפול נכון ושלטה במכשיר במצבים לא צפויים.

שימרו על כבלים הרחק מאזור העבודה של המכשיר. בעת ההפעלה הכבלים עלולים לא להיות גלויים לעין וניתן לפגוע בהם במקרה עם המכשיר.

השימוש והטיפול בסוללה

הטעינו רק עם המטען המצוין על ידי היצרן. מטען המתאים למארז סוללה אחד עלול ליצור סכנת אש עבור מארז סוללה אחר.

השתמשו במכשירים חשמליים עם מארזי סוללה המיועדים להם. השימוש במארזי סוללה אחרים עלול ליצור סיכון לפציעות ושרפות.

כאשר מארז הסוללה איננו בשימוש, שימרו עליו במרחק מסוים מעצמים אחרים העשויים ממתכת, כגון מהדקי נייר, מטבעות, מפתחות, מסמרים, ברגים או עצמים קטנים ממתכת העלולים לבצע חיבור של מסוף אחד למשנהו. ביצוע קצר בין מסופי הסוללה עלול לגרום לכוויות או שרפה.

תחת תנאי שימוש לא נאותים, נודל עלול להיפלט מן הסוללה; הימנעו ממגע. אם ישנו מגע מקרי, שטפו במים. אם מתרחש מגע עם העיניים, בנוסף, פנו לעזרה רפואית. נזל הנפלט מן הסוללה עלול לגרום לפריחה או כוויות.

אל תשתמשו במארז סוללה או מכשיר חשמלי ניזוקים או אשר שנו. סוללות ניזוקות או אשר שנו עלולות להתנהג בצורה לא צפויה אשר עלולה להסתיים בשרפה, פיצוץ או סיכון לפגיעה אישית.

אל תחשפו את מארז הסוללה או את המכשיר אל אש או טמפרטורות גבוהות. חשיפה אל אש או טמפרטורות גבוהות מ-100°C עלולה לגרום לפיצוץ.

מילא אחר כל הוראות ההטענה ואל תטעינו את מארז הסוללה או את הכלי החשמלי מחוץ לטווחי הטמפרטורה המצוינים בהוראות אלו. הטענה לא נכונה או מחוץ לטווחי הטמפרטורה המצוינים עלולים לגרום לנזק ולהעלות את הסיכון לשרפה.

- וודאו תמיד שפתיחי האוורור נקיים מכל אשפה.
- **תחזוקה ואחסון**
- נתקו את מקור המתח מן המכשיר (או הסירו את מארז הסוללה) לפני כל ביצוע של עבודות תחזוקה או ניקיון.
- השתמשו רק בחלקי חילוף ואביזרים המומלצים על ידי היצרן.
- בדקו ותחזקו את המכשיר באופן סדיר. תקנו את המכונה רק בעזרת טכנאי המוסמך לכך.
- כאשר איננה בשימוש, אחסנו את המכונה מחוץ להישג ידם של ילדים.
- **אזהרות בטיחות אחרות**
- **הימנעו מסביבות מסוכנות** - אל השתמשו במסכחת הדשא במקומות לחים או רטובים.
- שימרו על המגנים במקומם ופועלים כהלכה.
- שימרו על הידיים והרגליים מחוץ לאזור החיתוך.
- על מנת להפחית את הסיכון לפציעה, לעולם אל תעבדו על סולם או על עצמים לא בטוחים אחרים. לעולם אל תחזיקו את יחידת החיתוך מעל לקו המותניים.
- בדקו את יחידת החיתוך בטווחי זמן סדירים בעת ההפעלה, או מיד אם מתרחש שינוי בולט באופן החיתוך.
- עבור התוצאות הטובות ביותר, הטעינו את הסוללה שלכם במקומות בהם הטמפרטורה גבוהה מ-5°C ונמוכה מ-40°C. אל תאחסנו את המכשיר בחוץ או בכלי רכב.
- **אם אתם רואים מישהו מתקרב, עצרו את המנוע ואת יחידת החיתוך מיד.**
- **זהירו את המפעיל מפני הסכנה לנעיצת להב (רק בשימוש עם להב בעל 3 שיניים).**
- נעיצת להב עלולה להתרחש כאשר הלהב המסתובב בא במגע עם עצם אשר הוא לא חותך מיד.
- נעיצת להב יכולה להיות אלימה מספיק על מנת לגרום ליחידה ו/או למפעיל להיזרק בכל כיוון, ולאבד את השליטה על היחידה.
- נעיצת להב עלולה להתרחש ללא אזהרה עם הלהב נקרע, נתקע או נכרך.
- נעיצת להב עלולה להתרחש בסביבות בהם קשה לראות את החומר הנחתך.
- **אל תצמידו כל להב אל יחידות ללא התקנה מתאימה של כל החלקים הנדרשים.** אי השימוש בחלקים הנכונים עלול לגרום ללהב לעוף ולגרום לפציעה אישית של המפעיל ו/או עוברי אורח. אל תשתמשו בלהבים עקומים, מלופפים, שבורים או ניזוקים בכל דרך שהיא. השתמשו בלהב חד. קרבו לזוודאי שלהב קהה ייתפס או יינעץ (רק בשימוש עם להב בעל 3 שיניים).
- **להב/חוט גולש עלול לגרום לפציעה בגלל שהוא ממשיך להסתובב לאחר עצירת המנוע או לאחר שחזור ההדק. שימרו על שליטה מתאימה עד לעצירה המלאה של הלהב/החוט.**
- **כלי הסוללה לא צריכים להיות מחוברים אל החשמל; לכן, הם תמיד נמצאים במצב הפעלה.** היו מודעים לסכנות גם כאשר המכשיר איננו פועל. היו זהירים בעת ביצוע עבודות תחזוקה או שירות.
- **נא לא לשטוף את המכשיר בעזרת צינור; מנעו ממים להיכנס אל המנוע ואל חיבורי החשמל.**
- **אם תיתקלו במצבים שאינם מתוארים במדריך זה, פעלו בזהירות ובעזרת שכל ישר. צרו קשר עם מרכז שירות הלקוחות של EGO לעזרה.**
- השתמשו רק במארזי הסוללה והמטענים של EGO המפורטים באיור A2

שמירו על הראות אלו!

מפרטים

ראש בליטה	מנגנון חיתוך
חוט ניילון מפותל של 2.4 מ"מ	קוטר החוט
38"o	רוחב חיתוך
5000/6000 דקות ¹	מהירות ללא עומס
1.59 ק"ג	משקל (ללא מארז סוללה)
0°C-40°C	טמפרטורת הפעלה מומלצת
-20°C-70°C	טמפרטורת אחסון מומלצת
94.6 dB(A) K=1.80 dB(A)	רמת עוצמת קול נמדדת L _{WA}
83.2 dB(A) K= 3 dB(A)	רמת לחץ קול באוזן המפעיל L _{PA}
96 dB(A)	רמת עוצמת קול מובטחת L _{WA} (בהתאם ל-2000/14/EC)
1.1 מ ² /שנייה ² K=1.5	הערכת רטט a _h
1.4 מ ² /שנייה ² K=1.5	

- הפרמטרים לעיל נבדקים ונמדדים ביחד עם ראש חשמלי PH1400E.
- ערך הרטט הכללי המוצהר נמדד בהתאם לשיטת בדיוק סטנדרטית וניתן להשתמש בו על מנת להשוות ציוד אחד עם ציוד אחר;
- ניתן להשתמש בערך הרטט הכללי המוצהר בהערכה ראשונית של חשיפה.

הודעה: פליטת הרטט בעת השימוש המעשי בכלי יכולה להיות שונה מן הערך המוצהר כאשר הכלי נמצא

בשימוש; על מנת להגן על המפעיל, על המשתמש ללבוש כפפות ומגני אוזניים בעת השימוש למעשה.

רשימת אריזה

שם חלק	כמות
אביזר גוזם חוט	1
מגן	1
מפתח משושה	1
מפתח ברגים רב שימושי	1
מדריך למפעיל	1

אודות גוזם החוט המומלץ, היכנסו לאתר moc.sulprewopoge או עיינו בקטלוג המוצרים של EGO.

תיאור

הכירו את אביזר גוזם החוט שלכם (תמונה A)

- מכסה אחורי
- מוט גוזם החוט
- חוט חיתוך
- ראש גוזם (ראש בליטה)
- לשונית שחרור
- להב חוט החיתוך
- מגן
- מפתח משושה
- מפתח ברגים רב שימושי

אזהרה: לעולם אין להפעיל את הכלי כאשר המגן איננו נמצא במקומו. על המגן להיות תמיד על גבי הכלי על מנת להגן על המשתמש.

הרכבה

אזהרה: אם ישנם חלקים ניזוקים או חסרים, אל תפעילו את המכשיר עד אשר חלקים אלו יוחלפו. שימוש במכשיר זה עם חלקים פגומים או חסרים עלול לגרום לפגיעה אישית חמורה.

אזהרה: אל תנסו לשנות את המוצר או ליצור אביזרים אשר אינם מומלצים לשימוש ביחד עם הגוזם. כל שינוי או הוספה שכזה מהווה שימוש לא נכון במכשיר ועלול לגרום לתנאים מסוכנים אשר יובילו לפגיעה אישית חמורה אפשרית.

אזהרה: אל תחבר לראש החשמלי לפני השלמת ההרכבה. אי ציות להוראה זו עלול לגרום להפעלה מקרית לפגיעה אישית חמורה.

הרכבת המגן

אזהרה: לבשו תמיד כפפות בעת הרכבת או החלפת המגן. היו זהירים עם הלהב שעל גבי המגן והגנו על הידיים שלכם מפני חיתוך מהלהב.

שחררו והסירו את שני הברגים מהמגן (תמונה C), יישרו את חורי משענת המגן עם חורי ההרכבה ולאחר מכן נעלו את המגן על המוט בעזרת שני הברגים ביחד עם שני דסקיות הקפיצים (תמונה D). וודאו שהמגן נעול במקומו בהתאם לתמונות C ו-D, כל נעילה הפוכה תגרום לסכנה גדולה!

חיבור אביזר גוזם חוט לראש החשמלי

אביזר גוזם חוט זה מיועד לשימוש עם ראש חשמלי PH1400E EGO.

עיינו בסעיף „חיבור אביזר לראש החשמלי” במדריך למשתמש של הראש החשמלי PH1400E.

הפעלה

אזהרה: אל תניחו לעובדה שאתם מכירים את המוצר להפוך אתכם לפחות זהירים. זכרו שחוסר זהירות של שבריר אחד של שנייה מספיק לגרום לפגיעה אישית חמורה.

אזהרה: חבשו תמיד משקפי הגנה, ביחד עם מגני שמיעה. אם לא תעשו זאת עצמים עלולים להיזרק אל תוך העיניים שלכם ועלולות להיגרם פציעות חמורות אחרות.

יישומים

אתם יכולים להשתמש במוצר זה רק עבור המטרה להלן:

- לגיצום דשא ועשבים ממרפסות, גדרות ומשטחי עץ.

הודעה: יש להשתמש במכשיר רק עבור המטרות להן הוא יועד. כל שימוש אחר יחשב לשימוש בלתי הולם.

לפני כל שימוש, בדקו עבור חלקים עם בלאי/ניזוקים

בדקו את ראש הגוזם, את המגן ואת ידית העזר הקדמית והחליפו את החלקים הסדוקים, המלופפים, המעוקלים או הניזוקים בכל צורה שהיא.

להב חוט החיתוך בקצה המגן הופך להיות קהה עם הזמן. מומלץ להשחזר את להב חוט החיתוך בעזרת פצירה או להחליפו בלהב חדש.

אזהרה: לבשו תמיד כפפות בעת הרכבת המגן או ביצוע השחזת הלהב או החלפתו. שימו לב למיקום הלהב שעל גבי המגן והגנו על ידיכם מפני חיתוך.

אזהרה: על מנת למנוע פציעות אישיות חמורות, הסירו את מארז הסוללה מהראש החשמלי לפני ביצוע עבודות שירות, ניקיון, החלפת אביזרים או הסרה של חומרים מן היחידה.

החלפת חוט החיתוך

הודעה: השתמשו בחוט החיתוך המתאים מניילון עם היקף אשר לא יעלה על 2.4 מ"מ. שימוש בחוט חיתוך אחר מאשר חוט החיתוך המצוין עלול לגרום לחימום יתר של גוזם החוט או לנזקים נוספים.

⚠ אזהרה: לעולם אל תשתמשו בחוט המחוזק במתכת, תיל או חבל וכד'. דברים אלו עלולים להתנתק מן הגוזם ולהוות סכנה.

1. הסירו את מארז הסוללה.
2. הסירו את חוט החיתוך הנוטר, אם יש צורך בכך. פשוט משכו אותו ביד.
3. חתכו 4 מ' של חוט חיתוך והכניסו את החוט אל חור ההרכבה בתוך העינית (איור F). דחפו ומשכו את החוט מן הצד השני עד אשר אורכים דומים של חוט נמצאים משני צדדי הסליל.
4. לחצו, בעוד אתם מסובבים את מסכה ההרכבה התחתון בכיוון החוץ, על מנת ללפף את החוט מסביב לסליל עד אשר בערך 14 ס"מ של חוט נשאר בכל צד (תמונה G).
5. לחצו על מסכה ההרכבה התחתון כלפי מטה בעוד אתם מושכים את החוטים באופן ידני על מנת לקדם את החוט ולבדוק אם ראש הגוזם הורכב באופן נכון.

כאשר חוט החיתוך יוצא מיציאת החוט או כאשר חוט החיתוך איננו משתחרר בלחיצה על ראש הגוזם, בצעו את הצעדים הבאים:

1. הסירו את מארז הסוללה.
2. לחצו על לשוניות השחרור על המסכה העליון והסירו את מסכה ההרכבה התחתון על ידי משיכתו החוצה בקו ישר (איור H-I).
3. הסירו את חוט החיתוך מן הסליל.
4. עם יד אחת המחזיקה את המסכה עליון, השתמשו ביד השנייה לאחוז במסכה ההרכבה התחתון ויישרו את הלשוניות על המסכה העליון עם החורים בבסיס מסכה ההרכבה התחתון (איור J); השתמשו בכף היד שלכם על מנת ללחוץ ולסובב את מסכה ההרכבה התחתון ימינה ושמאלה עד אשר הלשוניות ייעלו עם המסכה העליון (איור K).
5. עקבו אחר ההוראות בחלק «החלפת חוט החיתוך» על מנת להטעין מחדש את חוט החיתוך.

כאשר הכלי מיועד לשימוש כגוזם מברשת, בצעו את השלבים כמוצג באיור L-M כדי לפרק את ראש הגוזם.

השימוש בגוזם החוט עם הראש החשמלי

⚠ אזהרה: לבשו בגדים מתאימים על מנת להפחית את הסיכון לפציעות בעת השימוש בכלי זה. אל תלבשו בגדים רפויים או תכשיטים. השתמשו בהגנה לעיניים / אוזניים. לבשו מכנסיים כבדים, ארוכים, מגפיים וכפפות. אל תלבשו מכנסיים קצרים או סנדלים ואל תפעילו כאשר אתם יחפים.

⚠ אזהרה: נקו את האזור שיש לגזום לפני כל שימוש. הסירו עצמים כגון סלעים, שברי זכוכית, מסמרים, חוטים או כבלים העלולים להזיק או להיתפס באביזר החיתוך. וודאו שאין ילדים, עוברי אורח ובעלי חיים באזור. כמינימום, שימרו על כל הילדים, עוברי האורח ובעלי החיים במרחק של לפחות 15 מ'; עדיין יכול להיות סיכון לעוברי אורח מעצמים נזרקים. יש לעודד עוברי אורח להשתמש בהגנה על העיניים. אם אתם רואים מישהו מתקרב, עצרו את המנוע ואת אביזר החיתוך מיד.

עבור הפעלה טובה ובטוחה יותר, העבירו את רצועת הכתף מעל לכתף. התאימו את רצועת הכתף בתנוחת הפעלה נוחה. אחזו את גוזם החוט כשיד אחת על הידית האחורית והיד השנייה על ידית העזרה הקדמית. שמרו על אחיזה יציבה בשתי ידיים בזמן ההפעלה. יש לאחוז את גוזם החוט בתנוחה נוחה כשהידיים האחורית בגובה המתנניים. ראש הגוזם אמור להיות מקביל לקרקע כך שייגע בקלות בחומרים אותם יש לגזום מבלי שהמפעיל יצטרך להתכופף.

⚠ אזהרה: רצועת הכתף מהווה גם מנגנון שחרור מהיר במצבים מסוכנים. בעת מצב חירום, הסירו אותה מיד, ללא קשר לדרך בה היא חוברה.

לאחר כל שימוש, נקו את הגוזם

עיינו בסעיף תחזוקה להוראות הניקוי.

הפעלה/לכיבוי של כלי העבודה

עיינו בסעיף „הפעלה/כיבוי של הראש החשמלי” במדריך למשתמש של הראש החשמלי PH1400E

כוונן אורך חוט החיתוך

ראש הגוזם מאפשר למפעיל לשחרר יותר חוט חיתוך ללא עצירת המנוע. כאשר חוט החיתוך הופך להיות משופשף או מראה סימני בלאי, ניתן לשחרר חוט חיתוך נוסף על ידי לחיצה קלה של ראש הגוזם על הקרקע בעת הפעלת הגוזם (תמונה E).

הודעה: שחרור החוט יהפוך להיות קשה יותר ככל שחוט החיתוך יהפוך להיות קצר יותר.

⚠ אזהרה: לעולם אל תסירו או תשנו את מערך הלב חוט החיתוך. חוט חיתוך ארוך מדי יגרום לחימום יתר של המנוע והדבר עלול לגרום לפציעה אישית חמורה.

תחזוקה

⚠ אזהרה: לפני בדיקה, ניקיון או עבודות שירות עבור היחידה, עצרו את המנוע, חכו שכל החלקים הנעים יפסיקו את פעולתם והסירו את מארז הסוללה. אי ביצוע הוראות אלה עשוי לגרום לפגיעה אישית חמורה או נזק לרכוש.

⚠ אזהרה: במקרה של עבודות תיקון, השתמשו רק בחלקי חילוף זהים. שימוש בחלקי חילוף אחרים עלול לגרום לסכנה או נזק למוצר. על מנת להבטיח בטיחות ואמינות, יש לבצע את כל התיקונים, מלבד עבור הפריטים המצוינים בהוראות תחזוקה אלה, בעזרת טכנאי שירות מוסמך.

תחזוקה כללית

הימנעו משימוש בממסים כאשר אתם מנקים חלקי פלסטיק. רוב חלקי הפלסטיק עלולים להינזק מסוגים שונים של ממסים מסחריים ועל ידי השימוש בהם. השתמשו במטליות נקיות על מנת להסיר לכלוך, אבק, שמן, חומר סיכה וכו'.

נקו את היחידה

- הסירו דשא אשר עשוי להיכרך סביב מוט המנוע או ראש הגוזם.
- עשו שימוש במברשת קטנה או בשואב אבק קטן על מנת לנקות את פתחי האוויר בתא האחורי.
- נקו את היחידה בעזרת מטלית לחה עם סבון עדין. אל תעשו שימוש בחומרי ניקוי חזקים על תא הפלסטיק או על גבי הידית. עלול להיגרם להם נזק על ידי שמנים ארומטיים למיניהם, כגון אורן או לימון, או על ידי ממסים כגון נפט. לחות עלולה גם לגרום לסכנת שוק חשמלי. נקו כל לחות על ידי מטלית רכה ויבשה.

שימון הילוכי התמסורת

יש לשמן את הילוכי התמסורת בתיבת הילוכים באופן קבוע עם שמן גיר. בדוק את מפלס שמן הגיר מידי 50 שעות של הפעלה על ידי הסרת בורג האיטום שבצד התיבה.

אם לא ניתן לראות שמן על צדי הילוכים, בצעו את השלבים הבאים כדי למלא את שמן הגיר עד 3/4 מהקיבולת.

אין למלא הילוכי התמסורת במלואם.

1. החזיקו את גוזם החוט על צידו כך שבורג האיטום פונה כלפי מעלה.

2. השתמשו במפתח הברגים הרב שימושי המצורף כדי לשחרר ולהוציא את בורג האיטום.

3. השתמשו במזרק שמן (לא מצורף) כדי להזריק חלק מהשמן לחור הבורג, אל תמלאו יותר מ-3/4 מהקיבולת.

4. הדקו את בורג האיטום לאחר ההזרקה.

אחסון היחידה

- הסירו את מארז הסוללה מהגוזם.
- נקו את היחידה ביסודיות לפני אחסונה.
- אם אביזר גוזם החוט מוסר מהראש החשמלי ומאוחסן בנפרד. חברו את מכסה הקצה על מוט האביזר כדי למנוע מלכלוך להיכנס לתוך המצמד.
- אחסנו את היחידה במקום יבש, מאוורר היטב, נעולה או במקום גבוה, הרחק ממישג ידם של ילדים. אל תאחסנו את היחידה קרוב לחומרי דשן, חומרי דלק או כימיקלים אחרים.

שמירה על הסביבה

ⓧ אל תזרקו ציוד חשמלי, מטען הסוללה וסוללות/סוללות ניתנות לטעינה ביחד עם אשפה ביתית!

בהתאם לחוק האירופי 2012/19/EU, ציוד חשמלי ואלקטרוני אשר אינו נמצא יותר בשימוש, ובהתאם לחוק האירופי 2006/66/EC, ציוד חשמלי ואלקטרוני ניזוק, ייאספו באופן נפרד.

אם ציוד חשמלי נזרק ביחד עם אשפה ביתית או במזבלה, חומרים מסוכנים עלולים לדלוף אל האדמה ולהפוך לחלק משרשרת המזון. דבר העלול לגרום לנזק לבריאות ולרווחה שלכם.



איתור וטיפול בבעיות

פתרון	סיבה	בעיה
<ul style="list-style-type: none"> ■ הצמידו את מארז הסוללה אל הראש החשמלי. ■ הסירו את הסוללה, בדקו את החיבורים והתקינו מחדש את מארז הסוללה עד אשר הוא נמצא במקומו. ■ הטעינו את הסוללה עם מטעני EGO הרשומים במדריך זה. ■ לחצו על דושת הנעילה כלפי מטה והחזיקו אותה, לאחר מכן שחררו את ההדק על מנת להפעיל את גוזם הדשא. 	<ul style="list-style-type: none"> ■ מארז הסוללה איננו מחובר לראש החשמלי. ■ לא מתבצע חיבור חשמלי בין הראש החשמלי למארז הסוללה. ■ קיבולת מארז הסוללה ריקה. ■ דושת הנעילה וההדק אינם משוחררים בו זמנית. 	<p>לא ניתן להפעיל את הגוזם.</p>
<ul style="list-style-type: none"> ■ הסירו את מארז הסוללה והרכיבו את המגן על גבי גוזם הדשא. ■ השתמשו בחוט החיתוך המומלץ מניילון עם היקף חוט אשר לא יעלה על 2.4 מ"מ. ■ הפסיקו את פעולת הגוזם, הסירו את הסוללה והסירו את הדשא ממוט המנוע ומראש הגוזם. ■ הסירו את ראש הגוזם מן הדשא. המנוע יחזור לפעילות רגילה ברגע בו העומס יוסר. בעת החיתוך, הזיזו את ראש הגוזם אל הדשא וממנו על מנת לחתוך והסירו לא יותר מ-20 ס"מ אורך בחיתוך יחיד. ■ אפשרו למארז הסוללה או לגוזם להתקרר עד לטמפרטורה של פחות מ-67°C. ■ התקינו מחדש את מארז הסוללה. ■ הטעינו את הסוללה עם מטעני EGO הרשומים במדריך זה. 	<ul style="list-style-type: none"> ■ המגן איננו מורכב על גבי הגוזם, כאשר התוצאה היא חוט חיתוך ארוך מדי ועומס יתר על המנוע. ■ נעשה שימוש בחוט חיתוך כבד מדי. ■ מוט המנוע או ראש הגוזם מלאים בדשא. ■ ישנו עומס יתר של המנוע. ■ מארז הסוללה או גוזם הדשא חמים מדי. ■ מארז הסוללה מנותק מן המכשיר. ■ קיבולת מארז הסוללה ריקה. 	<p>חוט הגוזם מפסיק את פעולתו בעת החיתוך.</p>

פתרון	סיבה	בעיה
<ul style="list-style-type: none"> הפסיקו את פעולת הגוזם, הסירו את הסוללה ונקו את מוט המנוע ואת ראש הגוזם. הסירו את הסוללה, החליפו את חוט החיתוך, עקבו אחר ההוראות בחלק "החלפת חוט החיתוך" הנמצא במדריך זה. הסירו את הסוללה ונקו את הסליל, את מכסה ההרכבה התחתון ואת המכסה העליון. הסירו את הסוללה, הסירו את חוט החיתוך מן הסליל ולפפו מחדש, עקבו אחר ההוראות בחלק "טעינה מחדש של חוט החיתוך" הנמצא במדריך זה. הסירו את הסוללה ומשכו את החוטים באופן ידני כאשר באופן חלופי אתם לוחצים כלפי מטה ומשחרים את ראש הגוזם. 	<ul style="list-style-type: none"> מוט המנוע או ראש הגוזם מלאים בדשא. אין מספיק חוט על גבי הסליל. ראש הגוזם מלוכלך. חוט החיתוך מפותל בתוך מכלול ראש הגוזם. חוט החיתוך קצר מדי. 	<p>ראש הגוזם איננו מקדם את החוט.</p>
<ul style="list-style-type: none"> חתכו דשא גבוה מן החלק העליון כלפי מטה, כאשר אינכם מסירים יותר מ-20 ס"מ בכל מעבר על מנת למנוע ליפוף. 	<ul style="list-style-type: none"> גיזום של דשא גבוה בגובה הקרקע. 	<p>הדשא מלופף סביב ראש הגוזם ותא המנוע.</p>
<ul style="list-style-type: none"> השחילו את להב חוט החיתוך בעזרת פצירה או החליפו בלהב חדש. 	<ul style="list-style-type: none"> להב חוט החיתוך בקצה המגן הופך להיות קהה. 	<p>הלהב איננו חותך את החוט.</p>
<ul style="list-style-type: none"> החליפו את ראש הגוזם מיד, עקבו אחר ההוראות בחלק "החלפת ראש הגוזם" הנמצא במדריך זה. 	<ul style="list-style-type: none"> ישנם סימני בלאי על ראש הגוזם. 	<p>סדקים על ראש הגוזם או על מכסה ההרכבה התחתון משתחררים ביחד עם בסיס הסליל.</p>
<ul style="list-style-type: none"> יישרו את חוטי העומס עם העיניות תחילה ולאחר מכן תחדירו את החוט אל חור ההרכבה הנמצא בתוך העינית. 	<ul style="list-style-type: none"> חוט הקפיץ איננו מוכנס כהלכה לחור ההרכבה של העינית. 	<p>בעת החלפת החוט, לא ניתן להעמיס את החוט אל ראש הגוזם כהלכה.</p>

אחריות

EGO מדיניות האחריות של

אנא בקרו באתר egopowerplus.com עבור התנאים וההתניות השלמים של מדיניות האחריות של EGO.

اقرأ جميع التعليمات!



اقرأ دليل التشغيل

⚠️ خطر زائد! الأشخاص الذين تم تركيب أجهزة طبية إلكترونية لهم، مثل منظم ضربات القلب، يجب عليهم استشارة الطبيب قبل استخدام هذا المنتج. لأن تشغيل معدات كهربائية بالقرب من منظم ضربات القلب قد ينشأ عنه خلل أو فشل في أداء منظم ضربات القلب.

⚠️ تحذير: لضمان السلامة والاعتمادية، يجب تنفيذ جميع أعمال الإصلاح واستبدال الأجزاء من قبل فني خدمة مؤهل.

رموز السلامة

الغرض من رموز السلامة هو جذب انتباهك إلى المخاطر المحتملة. رموز السلامة والشروح المصاحبة لها تستحق اهتمامك وفهمك الدقيق. تحذيرات كل رمز، بنفسها، لا تمنع وقوع أي خطر. التعليمات والتحذيرات التي تمنحك إياها لا تعد بديلاً عن تطبيق الإجراءات الملائمة لمنع وقوع الحوادث.

⚠️ تحذير: احرص على قراءة وفهم جميع تعليمات السلامة في دليل التشغيل هذا، بما في ذلك جميع رموز تنبيهات السلامة، مثل "خطر"، و"تحذير" و"تنبيه" قبل استخدام هذه الآلة. عدم اتباع جميع التعليمات الواردة أدناه قد يؤدي إلى حدوث صدمة كهربائية أو شوب حريق أو التعرض للإصابة الشخصية، أحدها أو جميعها.

معنى الرموز

رمز تنبيه السلامة: يشير إلى خطر أو تحذير، أو تنبيه، وقد يتم استخدامه بشكل متزامن مع الرموز أو الصور الكتابية الأخرى.




⚠️ تحذير: قد يؤدي تشغيل أي آلة عاملة بالطاقة إلى دخول أي أشياء غريبة في عينيك، وهو ما قد يؤدي إلى إلحاق أضرار خطيرة بالعين. قبل بدء تشغيل الآلة العاملة بالطاقة، احرص دائماً على ارتداء واقيات العينين أو نظارات حماية العينين ذات دروع جانبية، ودرع واقٍ لكامل الوجه عند اللزوم. نوصي بارتداء قناع السلامة واسع الرؤية لاستخدامه فوق نظارات العين أو نظارات السلامة العادية ذات الدروع الجانبية.



تعليمات السلامة

هذه الصفحة تصف وتشرح رموز السلامة التي قد تظهر على هذا المنتج. اقرأ جميع التعليمات المذكورة على الآلة وافهمها واتبعها قبل محاولة تجميع الآلة وتشغيلها.

	تنبيه سلامة	يشير إلى خطر محتمل للتعرض لإصابة شخصية.
	اقرأ دليل لتشغيل	لحذر من خطر الإصابة، يجب على المستخدم قراءة وفهم دليل التشغيل قبل استخدام هذا المنتج.
	ارتد أدوات حماية العينين	ارتد دائماً نظارات الحماية المزودة بواقية على الجانبين، وابتعني ارتداء واقٍ لكامل الوجه أثناء تشغيل هذا المنتج.
	ارتد أدوات حماية الأذنين	احرص دائماً على ارتداء واقيات للأذن (سدادات الأذن أو لثام صوت) لحماية أذنيك.
	ارتد أدوات حماية الرأس	احرص على ارتداء خوذة أمان صلبة معتمدة لحماية رأسك.
	ارتد قفازات الحماية	احرص على ارتداء قفازات لليدين عند التعامل مع الشفرة أو الواقى الخاص بها. كما أن القفازات القوية المانعة للانزلاق تعزز من قدرتك على الإمساك وتحمي يديك.
	ارتد حذاء الحماية	احرص على ارتداء أحذية أمان مانعة للانزلاق عند استخدام هذه الآلة.
	عرض الجزر	الحد الأدنى لعرض جزر الجزارة العاملة بالخيط
	قطر الخيط	قطر خيط الجزر المصنوع من النايلون
	عدم تركيب شفرة مستديرة	لا تقم بتركيب شفرات جزر مستديرة.
	احذر الأشياء المتطايرة أو المتطايرين قوياً المرافقين بعيداً عن نطاق عمل الآلة	فالأشياء المتطايرة من الآلة قد تترد وتؤدي إلى إصابات شخصية أو تلف للممتلكات. احرص على بقاء الأشخاص الآخرين والحيوانات الأليفة بعيداً عن قاطع الأغصان أثناء استخدامه.
	أبق المرافقين بعيداً عن نطاق عمل الآلة	احرص على بقاء الأشخاص الآخرين والحيوانات الأليفة على مسافة لا تقل عن 15 متراً بعيداً عن الجزارة العاملة بالخيط أثناء استخدامها.
	لا تُعرض المنتج للمطر	لا تستخدم المنتج تحت المطر أو أن تتركه في مكان مفتوح أثناء هطول المطر.

	شهادة الجودة الأوروبية CE	هذا المنتج متوافق مع توجيهات شهادة الجودة الأوروبية (CE) المعمول بها.
	نفايات المعدات الكهربائية والإلكترونية (WEEE)	لا يجب التخلص من الأجهزة الكهربائية المستهلكة في النفايات المنزلية. توجه بالجهاز إلى مركز إعادة تدوير معتمد.
	الضوضاء	مستوى قوة الصوت المضمن. انبعثات الضوضاء في البيئة وفقاً لتوجيه الاتحاد الأوروبي
V	فولت	الجهد الكهربائي
mm	مليمتر	الطول أو الحجم
cm	سنتيمتر	الطول أو الحجم
kg	كيلوجرام	الوزن

تحذيرات السلامة العامة المتعلقة بالآلة العاملة بالبطاقة

⚠ تحذير: اقرأ جميع تحذيرات السلامة والتعليمات والرسوم التوضيحية والمواصفات المرفقة مع هذه الآلة. عدم اتباع جميع التعليمات الواردة أدناه قد يؤدي إلى حدوث صدمة كهربائية أو نشوب حريق أو التعرض للإصابة، أحدها أو جميعها.

احتفظ بجميع التحذيرات والتعليمات للرجوع إليها في المستقبل.

يشير مصطلح «آلة عاملة بالبطاقة» في التحذيرات إلى الآلة العاملة بالبطاقة (الموصولة بسلك تيار) أو الآلة العاملة بالبطارية (غير الموصولة بسلك تيار).

سلامة منطقة العمل

- حافظ على منطقة العمل نظيفة ومضاءة جيداً. حيث عادة ما تتسبب المناطق المظلمة أو التي بها ركام إلى وقوع حوادث.
- لا تقم بتشغيل الآلات العاملة بالبطاقة في أجواء قابلة للانفجار، على سبيل المثال في وجود سوائل أو غازات أو غبار قابلة للاشتعال. فقد تتسبب الآلات العاملة بالبطاقة في صدور شرارة، والتي قد تتسبب في اشتعال الغبار أو الأبخرة القابلة للاشتعال.
- احتفظ بالأطفال والمشاهدين بعيداً عن موقع استعمال الآلة العاملة بالبطاقة. حيث أن الإلهامات قد تجعلك تفقد السيطرة على الآلة.

السلامة الشخصية

- ابق منبهتاً، وانتبه جيداً لما تفعله، وكن عقلانياً عند تشغيل آلة تعمل بالبطاقة. لا تستخدم أداة آلة بالبطاقة وأنت مجهد أو تحت تأثير المخدرات أو الكحوليات أو الأدوية. قد تؤدي لحظة من عدم الانتباه أثناء تشغيل الآلات العاملة بالبطاقة إلى حدوث إصابات شخصية خطيرة.

- استعن بمعدات الحماية الشخصية. وارتد دائماً أدوات حماية للعينين. سيؤدي استخدام أدوات الحماية كقناع الغبار أو أحذية السلامة المضادة للانزلاق أو القبعة الصلبة أو أدوات حماية السمع في ظروف مناسبة إلى الحماية من الإصابات الشخصية.
- امنع بدء تشغيل الآلة غير المتعمد. احرص على أن يكون مفتاح الطاقة في وضع الإيقاف قبل توصيل الآلة بمصدر التيار أو مجموعة البطاريات، أو التقاط الآلة أو حملها. قد يؤدي حمل الآلات العاملة بالطاقة وأصبعك على مفتاح التشغيل أو شحن الآلات العاملة بالطاقة ومفتاح التشغيل في وضع التشغيل إلى وقوع حوادث.
- أزل أي مفتاح تعديل أو مفتاح ربط قبل تشغيل الآلة العاملة بالبطاقة. قد يؤدي ترك مفتاح ربط أو مفتاح عادي مركباً على جزء دوار بالآلة العاملة بالطاقة إلى وقوع إصابات شخصية.
- لا تقف في مكان تضطر لمد يديك بعيداً. قف وأنت ثابت ومتوازن في جميع الأوقات، وهو ما يسمح بتحكم أفضل في الآلة العاملة بالطاقة في الظروف غير المتوقعة.
- ارتد الملابس الملائمة. لا ترتد ملابس أو مجوهرات غير ثابتة. احتفظ بشعرك وملابسك بعيداً عن الأجزاء المتحركة. قد تعلق الملابس الفضفاضة أو المجوهرات أو الشعر الطويل في الأجزاء المتحركة.
- إذا تم تقديم أجهزة خاصة بتوصيل أدوات استخراج وجمع الغبار، فأحرص على توصيلها واستخدامها على النحو اللازم. قد يؤدي استخدام جمع الغبار إلى الحد من المخاطر المرتبطة به.
- لا تدع الخبرة المكتسبة من الاستخدام المتكرر للآلات يجعلك تتعامل دون الانتباه اللازم وتتجاهل مبادئ السلامة المتعلقة بالآلة. فقد يتسبب أي إجراء غير مدروس في إصابات خطيرة في جزء من الثانية.
- استخدام الآلة العاملة بالبطاقة والعناية بها
 - لا تجبر الآلة العاملة بالبطاقة على أعمال تفوق قدرتها. استخدم الآلة العاملة بالبطاقة الملائمة لأعمالك. ستقوم الآلة العاملة بالبطاقة الملائمة بأداء أعمالك بشكل أفضل وأكثر أماناً بالمعدل الذي أعدت له.
 - لا تستخدم الآلة العاملة بالبطاقة إذا كان مفتاح التشغيل لا يمكن نقله إلى وضع التشغيل أو وضع الإيقاف. أي آلة عاملة بالبطاقة لا يمكن التحكم فيها بمفتاح التشغيل تعتبر خطيرة وينبغي إصلاها.
 - خزن الآلات العاملة بالبطاقة غير المستخدمة بعيداً عن متناول أيدي الأطفال ولا تسمح للأشخاص غير المعتادين على استخدام الآلات العاملة بالبطاقة أو على هذه التعليمات بتشغيل الآلة.
 - الآلات العاملة بالبطاقة تكون خطيرة في أيدي الأشخاص غير المدربين.
 - حافظ على الآلات العاملة بالبطاقة والملحقات. تحقق من عدم محاذرة الأجزاء المتحركة أو ربطها، أو وجود كسور في الأجزاء، أو أي حالة أخرى قد تؤثر على عمل الآلة. إذا كان هناك تلف، فقم بإصلاح الآلة العاملة بالبطاقة قبل استخدامها. فالعديد من الحوادث يكون سببها الآلات التي لم تتم صيانتها.
 - احتفظ بالآلات القاطعة حادة ونظيفة. الأدوات القاطعة التي تتم صيانتها كما ينبغي للاحتفاظ بحوافها القاطعة حادة تكون أقل عرضة للانحناء وسهل التحكم فيها.

- ▲ **تحذير:** اقرأ جميع تحذيرات السلامة والتعليمات والرسوم التوضيحية والمواسفات المرفقة مع هذه الآلة. عدم اتباع جميع التعليمات الواردة أدناه قد يؤدي إلى حدوث صدمة كهربائية أو نشوب حريق أو التعرض للإصابة، أحدها أو جميعها. احتفظ بجميع التحذيرات والتعليمات للرجوع إليها في المستقبل.

احتفظ بجميع التحذيرات والتعليمات للرجوع إليها في المستقبل.

التدريب

- اقرأ التعليمات بعناية. اعتد على أدوات التحكم والاستخدام الملائم للآلة.
- لا تسمح أبدًا للأشخاص غير المطلعين على هذه التعليمات أو الأطفال باستخدام الآلة. قد تُحدث بعض اللوائح المحلية سنًا معينًا لمشغلي الآداة.
- يرجى الانتباه إلى أن المشغل أو المستخدم هو المسؤول عن وقوع أي حوادث أو مخاطر يتعرض لها أشخاص آخرون أو تتعرض لها ممتلكاتهم.

التحضير

- لا تقم أبدًا بتشغيل الآلة أثناء تواجد أي أشخاص، خصوصًا الأطفال أو الحيوانات الأليفة، في الجوار.
- ارتد أدوات حماية العينين والأحذية المتينة في جميع الأوقات أثناء تشغيل الآلة.
- يجب ألا تقل المسافة بين الآلة والأشخاص الواقفين عن 15 مترًا.
- لا تقم أبدًا بتشغيل الآلة إذا كنت مجهدًا أو مريضًا أو تحت تأثير الكحول أو المخدرات الأخرى.

التشغيل

- لا تستخدم الآلة سوى في النهار أو الضوء الصناعي الجيد.
- لا تقم أبدًا بتشغيل الآلة بينما الواقبات أو أدوات الحماية تالفة أو غير موجودة في مكانها.
- لا تقم بتشغيل المحرك إلا ويداك وقدماك بعيدًا عن الحواف أو الأغراض الحادة.
- احرص دائمًا على فصل الآلة عن مصدر التيار (أي، فصل مجموعة البطارية).
- في أي وقت تترك فيه الآلة دون رقابة.
- قبل تنظيف أي انسداد.
- قبل فحص أو تنظيف أو العمل داخل أي جزء من أجزاء الآلة.
- عقب الاصطدام بجسم غريب.
- إذا بدأت الآلة في الاهتزاز بشكل غير طبيعي.
- احذر تعرض الأقدام والأيدي للإصابة بسبب الأغراض أو الحواف الحادة.
- احرص دائمًا على خلو فتحات التهوية من أي عوائق.

- استخدم الآلة والملحقات واللحم وما شابههم وفقًا لهذه التعليمات، مع الأخذ في الاعتبار بظروف العمل والأعمال التي سيتم تنفيذها. قد يؤدي استخدام الآلة في أعمال غير تلك المخصصة لها إلى حوادث خطيرة.
- حتفظ بالمقابض وأسطح الإمساك جافة ونظيفة وخالية من الزيوت والشحوم. لأن المقابض وأسطح الإمساك المنزقة لا تمنحك القدرة على التعامل والتحكم الآمنين في الآلة في المواقف غير المتوقعة.
- أبق الكابلات بعيدًا عن منطقة عمل الآلة. أثناء التشغيل، قد تكون الكابلات غير مرئية، فتتعرض للتلوث دون قصد بفعل الآلة.

استخدام البطارية والعناية بها

- لا تُعد شحن الآلة إلا باستخدام الشاحن المحدد بواسطة الشركة الصانعة. فالشاحن الملائم لنوع من مجموعات البطارية قد يتسبب في نشوب حريق إذا تم استخدامه مع مجموعة بطارية أخرى.
- استخدم الآلات العاملة بالطاقة مع مجموعات البطاريات المخصصة لها فقط. لأن استخدام أي مجموعات بطارية أخرى قد يؤدي إلى التعرض لإصابات أو نشوب حريق.
- عند عدم استخدام مجموعة البطارية، احتفظ بها بعيدًا عن الأغراض المعدنية الأخرى مثل مشابك الأوراق أو العملات المعدنية أو المفاتيح أو المسامير أو البراغي أو الأغراض المعدنية الصغيرة الأخرى التي قد تتسبب في عمل دائرة قصر (فصل للدائرة) بين أقطاب البطارية. عمل دائرة قصر (فصل الدائرة) بين أطراف البطارية قد يتسبب في حروق أو نشوب حريق.
- في حالات التعامل السيء، قد يحدث ارتشاح للسوائل من البطارية؛ لا تلامسه. إذا حدثت ملامسة بشكل عرضي، فاغسلها بالماء. إذا لامس السائل العينين، فاطلب المساعدة الطبية على الفور. السائل المرتشح من البطارية قد يتسبب في حدوث اهتياج في الجلد أو حروق.
- لا تستخدم مجموعة البطارية أو الآلة إذا كانا تالفين أو تم إدخال تعديلات عليهما. لأن البطاريات التالفة أو التي تم تعديلها قد تعمل بشكل غير متوقع، وهو ما قد يؤدي لنشوب حريق أو حدوث انفجار أو خطر التعرض لإصابة.
- لا تقم بتعريض مجموعة البطارية أو الآلة للحريق أو درجات الحرارة الزائدة. التعرض لدرجات الحرارة الأعلى من 100 درجة مئوية قد يؤدي لحدوث انفجار.
- اتباع تعليمات الشحن ولا تشحن مجموعة البطارية أو الآلة في نطاق درجة حرارة خارج النطاق المحدد في التعليمات. قد يؤدي الشحن غير المضبوط أو في درجات حرارة خارج النطاق المسموح به إلى تلف البطارية وخطر نشوب حريق.

الصيانة

- ينبغي إجراء الصيانة على الآلة بواسطة فني إصلاح متخصص باستخدام قطع غيار أصلية مطابقة فقط. فهذا سيضمن المحافظة على سلامة الآلة.
- لا تقم بصيانة مجموعات البطارية التالفة بأي حال من الأحوال. بل ينبغي أن تكون صيانة مجموعات البطارية من خلال الشركة الصانعة أو مقدمي الخدمة المعتمدين فقط.

الصيانة والتخزين

- افصل مصدر الطاقة عن الآلة (أي، خلع مجموعة البطارية) قبل إجراء أعمال الصيانة أو التنظيف.
- استخدم فقط قطع الغيار والملحقات الموصى بها من قبل الشركة الصانعة.
- قم بفحص وصيانة الآلة بانتظام. يجب إصلاح الآلة بواسطة مركز صيانة معتمد فقط.
- عند عدم الاستخدام، قم بتخزين الآلة بعيداً عن متناول أيدي الأطفال.

تحذيرات السلامة الأخرى

- تجنب بيئات العمل الخطيرة - لا تستخدم الأجهزة في المواقع الرطبة أو المبللة.

حافظ على الوافيات في مكانها وبترتيبها الصحيح.

أبق يدك وقدميك بعيداً عن منطقة الجرّ.

لتقليل خطر التعرض لإصابات، لا تعمل أبداً وأنت فوق سلم أو على أي دعامة غير آمنة أخرى. لا تمسك أبداً بوحدة الجرّ أعلى من ارتفاع الخصر.

افحص وحدة الجرّ على فواصل زمنية قصيرة منتظمة أثناء التشغيل، أو على الفور إذا لاحظت وجود تغيير ملحوظ في سلوك الجرّ.

لتحقيق أفضل النتائج، يجب شحن بطاريك في مكان درجة حرارته أكبر من 5 درجة مئوية وأقل من 40 درجة مئوية. لا تقم بتخزين الآلة في مكان خارجي مفتوح أو في السيارات.

عند اقتراب أي شخص، أوقف المحرك ووحدة الجرّ.

حذر مشغل الآلة من خطر قوة اندفاع الشفرة (عند استخدام الشفرة ثلاثية الأسنان فقط).

قد يحدث اندفاع للشفرة عند ملامسة الشفرة وهي تدور لشيء لم يتم جرّه على الفور.

قد يكون اندفاع الشفرة عنيفاً بما يكفي لدفع الوحدة و/أو المشغل في أي اتجاه، مع احتمالية فقد السيطرة على الوحدة.

قد يحدث اندفاع الشفرة دون إنذار إذا علقت الشفرة أو تباطأت أو انثنت.

عادة ما يحدث اندفاع الشفرة في المناطق التي يكون من الصعب رؤية المواد التي يتم جرّها.

لا تقم بتركيب أي شفرة على أي وحدة دون القيام بتركيب جميع الأجزاء المطلوبة على النحو الصحيح. عدم استخدام الأجزاء الملائمة قد يتسبب في تحرر الشفرة من مكانها، ما قد يؤدي إلى تعرض مشغل الآلة و/أو المراقبين لإصابات خطيرة. تخلص من الشفرات المثبتة أو الملتوية، أو المشققة، أو المكسورة، أو التالفة بأي حال من الأحوال. استخدم شفرة حادة، لأن الشفرة غير الحادة عادة ما تنثني وتتسبب في ارتداد في الآلة. (باستخدام الشفرة ثلاثية الأسنان فقط).

قد يتسبب تحرر الشفرة/الخيوط في التعرض لإصابات إذا استمر في الدوران بعد توقف المحرك أو ترك الزناد. حافظ على تحكمك الملائم في الآلة حتى توقف الشفرة/الخيوط تماماً عن الدوران.

لا تحتاج الآلات العاملة بالبطارية إلى توصيلها بمصدر تيار كهربائي؛ ولهذا فهي دائماً ما تكون جاهزة للتشغيل. احذر المخاطر المحتملة، حتى عند عدم تشغيل الآلة. كن حذراً عند تنفيذ أعمال الصيانة أو الخدمة.

لا تغسل المنتج بخراطيم الماء؛ وتجنب وصول الماء إلى المحرك والتوصيلات الكهربائية.

إذا حدثت حالات غير مذكورة في هذا الدليل، توخّ الحذر واتخذ قرارات حكيمة. تواصل مع مركز خدمة العملاء بشركة EGO طلباً للمدعم.

لا تستخدم الآلة إلا مع مجموعات بطارية وشواحن EGO المدرجة في الشكل A2.

احفظ هذه التعليمات!

المواصفات

رأس المصد	آلية الجرّ
خطب جدول من التابلون 2.4 مم	قطر الخيط
38 سم	عرض الجرّ
6000/5000 دقيقة ¹	السرعة بدون حمل
1.59 كجم	الوزن (بدون وحدة البطارية)
0 - 40 درجة مئوية	درجة حرارة التشغيل الموصى بها
20- 70 درجة مئوية	درجة حرارة التخزين الموصى بها
94.6 ديسيبل(A) 1.80=K ديسيبل(A)	مستوى قوة الصوت المُقدّر L_{WA}
83.2 ديسيبل(A) 3 =K ديسيبل(A)	مستوى ضغط الصوت عند أنز مُشغل الآلة L_{PA}
96 ديسيبل(A)	مستوى قوة الصوت المضمون L_{WA} (تم قياسه وفقاً للمعيار 2000/14/EC)
1.1 م/ثانية ² 1.5=K م/ثانية ²	مقبض المساعدة الأمامي
1.4 م/ثانية ² 1.5=K م/ثانية ²	المقبض الخلفي

- تم اختبار المعايير أعلاه وقياسها أثناء تركيب رأس الطاقة PH1400E.
- القيمة الكلية للاهتزاز الموضحة تم قياسها وفقاً لطريقة اختبار قياسية وقد تستخدم لمقارنة أداة بأخرى؛
- كما يمكن استخدام القيمة الكلية للاهتزاز الموضحة في التقييم التمهيدي للتعرض.

ملاحظة: قد تختلف انبعاثات الاهتزاز أثناء الاستخدام الفعلي للألة العاملة بالطاقة عن القيمة المعلنة التي يتم استخدام الآلة فيها؛ ولحماية مشغل الآلة، ينبغي على المستخدم ارتداء قفازات واقية للأذن في ظروف الاستخدام الفعلية.

قائمة المحتويات

الكمية	اسم القطعة
1	ملحق الجِزَاة العاملة بالخيط
1	الواقي
1	مفتاح ربط سداسي (الأنكيه)
1	مفتاح ربط متعدد الوظائف
1	دليل التشغيل

للتعرف على خيط الجِزَاة الموصى به، يُرجى التوجه إلى الموقع الإلكتروني egopowerplus.com أو مراجعة دليل منتج EGO.

الوصف

تعرف على ملحق الجِزَاة العاملة بالخيط (الشكل A)

1. غطاء خارجي
2. عمود الجِزَاة العاملة بالخيط
3. خيط الجِزَاة
4. رأس الجِزَاة (رأس المصد)
5. لسان التحريك
6. شفرة قطع الخيط
7. الواقي
8. مفتاح ربط سداسي (الأنكيه)
9. مفتاح ربط متعدد الوظائف

تحذير: لا يجب أبدًا تشغيل الآلة دون تثبيت الواقي بإحكام في مكانه. يجب أن يكون الواقي دائمًا على الآلة لحماية المستخدم.

التجميع

تحذير: إذا حدث تلف أو فقد في أي أجزاء، لا تقم بتشغيل هذا المنتج إلا بعد استبدال الأجزاء. استخدام هذا المنتج مع وجود أجزاء تالفة أو مفقود قد يؤدي إلى وقوع إصابات شخصية خطيرة.

تحذير: لا تحاول إجراء أي تعديلات على هذا المنتج أو ابتداء ملحقات غير موصى بها للاستخدام مع الجِزَاة العاملة بالخيط هذه. أي تغيير أو تعديل من هذا النوع يعتبر سوء استخدام، وقد يؤدي إلى وضع خطير قد يتسبب في وقوع إصابات شخصية خطيرة محتملة.

تحذير: لا تقم بالتوصيل برأس الطاقة إلا بعد اكتمال التجميع. عدم الامتثال لذلك قد يؤدي إلى بدء التشغيل غير المقصود للآلة والتعرض المحتمل لإصابات شخصية خطيرة.

تركيب الواقي

تحذير: احرص دائمًا على ارتداء قفازات عند تركيب الواقي أو استبداله. كن حذرًا من الشفرة المثبتة على الواقي، واحم يدك من التعرض للإصابة بفعل الشفرة.

فك المسامير من الواقي (الشكل C) وإخلعهما، ثم قم بمحاذاة فتحات تركيب الواقي مع فتحات التجميع، ثم ثبت الواقي على قاعدة العمود بالمسامير، بالإضافة للوردتين الزنبركيتين (الشكل D).

احرص على تثبيت الواقي وفقًا للشكلين C وD، لأن أي تثبيت يخالف ذلك قد يتسبب في مخاطر كبيرة!

توصيل ملحق الجِزَاة العاملة بالخيط برأس الطاقة

هذه الجِزَاة العاملة بالخيط مصممة للاستخدام مع رأس الطاقة PH1400E من شركة EGO.

راجع قسم «تركيب ملحق برأس الطاقة» الموجود في دليل تشغيل رأس الطاقة PH1400E.

التشغيل

تحذير: لا تسمح لاعتيادك على تشغيل هذا المنتج أن يجعلك مستهترًا عند التعامل معه. ولا تنس أن الاستيثار لجزء من الثانية كافٍ للتسبب في حدوث إصابات خطيرة.

تحذير: ارتد بشكل دائم أدوات حماية العينين، بالإضافة إلى أدوات حماية السمع. قد ينجم عن عدم الامتثال لذلك دخول أشياء في عينيك، واحتمالية وقوع إصابات خطيرة.

الاستخدامات

يمكنك استخدام هذا المنتج في الغرض الموضح أدناه:

- جزّ العشب والحشائش الضارة من حول الأروقة والسياح والأسطح المزخرقة.

ملاحظة: يجب استخدام الآلة للغرض المحدد لها فقط. أي استخدام آخر يعد حالة من حالات سوء الاستخدام.

قبل كل استخدام، افحص الأجزاء التالفة/المتآكلة

افحص رأس الجِزَاة والواقي ومقبض المساعدة الأمامي، واستبدل أي أجزاء مشققة أو ملتوية أو مثنية أو تالفة بأي شكل من الأشكال.

قد تصبح شفرة قطع الخيط الموجودة على حافة الواقي غير حادة مع مرور الوقت. من الموصى به أن تقوم بشحذها من أن لأخر باستخدام ميرد أو استبدالها بشفرة جديدة.

تحذير: احرص دائمًا على ارتداء قفازات عند تركيب الواقي أو استبداله، أو عند شحذ الشفرة أو استبدالها. انتبه لمكان الشفرة الموجودة عند الواقي، واحم يدك من التعرض لإصابات.

تحذير: لمنع التعرض لإصابات شخصية خطيرة، اخلع مجموعة البطارية من رأس الطاقة قبل إجراء أعمال الصيانة، أو التنظيف، أو تغيير المرفقات، أو إزالة المواد من الوحدة.

استخدام الجَزَاة العاملة بالخيط مع رأس الطاقة

تحذير: احرص على ارتداء ملابس ملائمة للحد من خطر التعرض لإصابات أثناء تشغيل هذه الآلة. لا ترتد ملابس أو مجوهرات غير ثابتة. ارتد أدوات حماية العينين والأذنين/السمع. احرص على ارتداء بنطال طويل قوي، وحذاء ذي رقبة، وقفازات. لا ترتد بناطيل قصيرة أو صنادل أو أن تكون حافي القدمين.

تحذير: نظف منطقة الجَزْ قبل كل استخدام للآلة. تخلص من جميع الأشياء مثل الصخور أو الزجاج المكسور أو المسامير أو الأسلاك أو الخيوط التي قد تدخل في ملحق الجَزْ أو تعيقه. أبقِ المنطقة خالية من الأطفال والمرافقين والحيوانات الأليفة. على الأقل، اجعل الأطفال والمرافقين والحيوانات الأليفة على مسافة لا تقل عن 15 مترًا؛ فقد يكون هناك خطر تعرض المرافقين للأشياء المتطايرة. يجب تشجيع المرافقين على ارتداء أدوات حماية العينين. عند اقتراب أي شخص، أوقف المحرك وملحق الجَزْ على الفور.

للتشغيل بشكل أفضل وأكثر أمانًا، ارتد حزام الكتف بحيث يمر عبر الكتف. اضبط حزام الكتف على وضعية تشغيل مريحة. أمسك الجَزَاة العاملة بالخيط وإحدى يديك على المقبض الخلفي، ويديك الأخرى على مقبض المساعدة الأمامي. أمسك الجهاز بكلتا يديك بإحكام أثناء التشغيل. ينبغي إمساك الجَزَاة العاملة بالخيط في وضع مريح بينما المقبض الخلفي في مستوى الورك. يجب أن يكون رأس الجَزَاة موازيًا للأرض بحيث يلامس الأشياء المراد جزّها دون حاجة مشغل الآلة للانحناء (الشكل B).

تحذير: كما أن حزام الكتف مزود بألية التحرير السريع في المواقف الخطرة. عند حدوث طارئ، اخلعه عن كتفك على الفور، بغض النظر عن طريقة تثبيته.

نظف الجَزَاة بعد كل استخدام.

راجع قسم «الصيانة» للتعرف على تعليمات التنظيف.

لبداء تشغيل/إيقاف الآلة

راجع قسم «تشغيل/إيقاف رأس الطاقة» الموجود في دليل تشغيل رأس الطاقة PH1400E.

تعديل طول خيط الجَزْ

رأس الجَزَاة يتيح للمشغل تحرير المزيد من خيط الجَزْ دون إيقاف المحرك. بعد أن يصبح الخيط مشتلًا أو متهاكًا، يمكن تحرير خيط إضافي عن طريق نفرة خفيفة برأس الجَزَاة على الأرض أثناء تشغيل الجَزَاة (الشكل E).

ملاحظة: سيصبح تحرير الخيط أكثر صعوبة عندما يصبح خيط الجَزْ أقصر.

تحذير: لا تقم بخلع أو تعديل تجميعه شفرة قطع الخيط الطول الزائد في الخيط قد يتسبب في السخونة المفرطة للمحرك، ما قد يؤدي إلى التعرض لإصابات شخصية خطيرة.

استبدال الخيط

ملاحظة: احرص دائمًا على استخدام خيط النايلون الموصى به وألا يتخطى قطره 2.4 مم. لأن استخدام خيط آخر غير الموصى به قد يتسبب في السخونة المفرطة للجَزَاة العاملة بالخيط أو تعرضها للتلف.

تحذير: لا تقم أبدًا باستخدام خيط معزز معدنيًا، أو سلك معدني، أو حبل، أو ما شابه ذلك. لأن تلك الأشياء قد تنقطع وتتسبب في تطاير أشياء خطيرة.

1. خلع مجموعة البطارية
2. اخلع خيط الجَزْ المتبقي، عند اللزوم. كل ما عليك فعله هو سحبه للخارج باليد.
3. اقطع خيط جَزْ طوله 4 سم، وأدخل الخيط في فتحة التركيب الموجودة داخل الثقب (الشكل F). ادفع الخيط واسحبه من الجانب الآخر حتى يظهر نفس الطول للخيط على كلا جانبي ملف الخيوط.
4. أثناء دوران تجميعه الغطاء السفلي في اتجاه السهم، اضغط لسحب الخيط على ملف الخيوط إلى أن يظهر حوالي 14 سم من الخيط على كل جانب (الشكل G).
5. اضغط لأسفل على تجميعه الغطاء السفلي بينما تسحب من الخيوط، لتنفذ الخيط للأمام يدويًا وللتحقق من التجميع السليم لرأس الجَزَاة.

عند انقطاع خيط الجَزْ من فتحة الخيط، أو عدم تحرر خيط الجَزْ عند النقر على رأس الجَزَاة، اتبع الخطوات أدناه:

1. اخلع مجموعة البطارية.
2. اضغط على الأسننة التحرير الموجودة بالغطاء العلوي، واخلع تجميعه الغطاء السفلي عن طريق سحبها للخارج بشكل مستقيم (انظر الشكل H وI).
3. أخرج خيط القطع من ملف الخيوط.
4. بينما تمسك بإحدى يديك بالغطاء العلوي، استخدم اليد الأخرى في الإمساك بتجميعه الغطاء السفلي ومحاذاة الأسننة الموجودة بالغطاء العلوي مع الفتحات الموجودة في قاعدة تجميعه الغطاء السفلي (الشكل J)؛ استخدم راحة يدك وأدر تجميعه الغطاء السفلي ناحية اليسار واليمين إلى أن تشبك الأسننة مع الغطاء العلوي (الشكل K).
5. اتبع التعليمات الواردة في قسم «استبدال الخيط» لإعادة تحميل خيط الجَزْ.

إذا كانت الآلة معدة للاستخدام كقاطع أعصان، اتبع الخطوات الواردة في الشكليات L وM بخصوص تفكيك رأس الجَزَاة.

الصيانة

تحذير: قبل فحص الوحدة أو تنظيفها أو صيانتها، أطفئ المحرك، وانتظر إلى أن تتوقف جميع الأجزاء المتحركة، ثم اخلع مجموعة البطارية. لأن عدم اتباع هذه التعليمات قد يؤدي إلى وقوع إصابات شخصية خطيرة أو تلف الممتلكات.

تخزين الوحدة

- اخلع مجموعة البطارية من الجرّازة.
- نظف الآلة جيّداً قبل تخزينها.
- إذا تمّ خلع ملحق الجرّازة العاملة بالخيط من رأس الطاقة وتخزينه بشكل منفصل: قم بتركيب الغطاء الخارجي على عمود الملحق لتجنب دخول الأوساخ إلى الوصلة.
- خزن الوحدة في منطقة جافة جيدة التهوية، بحيث يكون في مكان مقفل أو عالٍ عن سطح الأرض بعيداً عن متناول أيدي الأطفال.
- لا تقم بتخزين الوحدة على الأسمدة أو البنزين أو المواد الكيميائية الأخرى، أو بجوارها.

حماية البيئة

- لا تتخلص من المعدات الكهربائية وشاحن البطارية والبطاريات العادية/البطاريات القابلة لإعادة الشحن في النفايات المنزلية! وفقاً للقانون الأوروبي 2012/19/EU ، فإن المعدات الكهربائية والإلكترونية التي لم تعد صالحة للاستخدام، ووفقاً للقانون الأوروبي 2006/66/EC ، فإن مجموعات البطارية/البطاريات المعطوبة أو المستهلكة، يجب جمعها بشكل منفصل. إذا تم التخلص من الأجهزة الكهربائية في أكوام القمامة أو مقلب النفايات، قد تتسرب مواد خطيرة في المياه الجوفية وتصل إلى السلسلة الغذائية، وهو ما يضر بالصحة والعافية.



الصيانة العامة

تجنب استخدام المنظفات عند تنظيف الأجزاء البلاستيكية. غالبية المكونات البلاستيكية تكون سريعة التآثر بالأنواع المختلفة للمنظفات الموجودة بالسوق، وقد تتلف نتيجة استخدامها عليها. استخدم قطعة قماش نظيفة لإزالة الأوساخ والأتربة والزيت والشحم وما شابههم.

تنظيف الوحدة

- تخلص من أي عشب قد يكون ملتصقاً حول عمود المحرك أو رأس الجرّازة.
- استخدم فرشاة صغيرة أو مكنتسة كهربائية صغيرة في تنظيف فتحات الهواء الموجودة بالهيكل الخلفي.
- نظف الوحدة باستخدام قطعة قماش مبللة مع منظف خفيف.
- لا تستخدم أي منظفات قوية على الهيكل البلاستيكي أو المقبض. لأنهم معرضون للتلف بفعل زيوت عطرية معينة، مثل الصنوبر والليمون، وبفعل محاليل مثل الكيروسين. كما قد تتسبب الرطوبة في التعرض لصدمة كهربائية. امسح أي بلل بقطعة قماش جافة ناعمة.

تشحيم علبه التروس

علبة التروس الموجودة في صندوق ناقل الحركة تحتاج للتشحيم بشكل منتظم باستخدام شحم مخصص لذلك. افحص مستوى تشحيم صندوق ناقل الحركة بعد كل 50 ساعة تشغيل عن طريق خلع مسمار القفل الموجود بجانب الصندوق.

إن لم تستطع رؤية أي شحم على أسنان التروس، اتبع الخطوات التالية للتعبئة بشحم ناقل الحركة حتى مستوى 4/3 من السعة الداخلية.

لا تملأ ناقل الحركة بالكامل.

1. أمسك الجرّازة العاملة بالخيط وهي على جانبها بحيث يكون مسمار القفل وجهه لأعلى.
2. استخدم مفتاح الربط متعدد الوظائف المرفق في فك وخلع مسمار القفل.
3. استخدم محقنة تشحيم (غير مرفقة) لحقن بعض الشحم في فتحة المسمار؛ بحيث لا تتخطى 4/3 من السعة الداخلية.
4. اربط مسمار القفل بعد الحقن.

استكشاف الأخطاء وإصلاحها

المشكلة	السبب	الحل
لا يمكن بدء تشغيل الجرّازة العاملة بالخيوط.	<ul style="list-style-type: none"> مجموعة البطارية غير مركبة في رأس الآلة العاملة بالطاقة. لا يوجد اتصال كهربائي بين رأس الطاقة ومجموعة البطارية. نقد شحن مجموعة البطارية. لم يتم الضغط على ذراع القفل والزناد بشكل متزامن. 	<ul style="list-style-type: none"> قم بتركيب مجموعة البطارية في رأس الطاقة. اخلع البطارية، وافحص التوصيلات، ثم أعد تركيب مجموعة البطارية، إلى أن تنشكك في مكانها. اشحن مجموعة البطارية بشواحن EGO المدرجة في هذا الدليل. اضغط لأسفل مع التثبيت على ذراع القفل، ثم اضغط مع التثبيت على الزناد لتشغيل الجرّازة العاملة بالخيوط.
الجرّازة العاملة بالخيوط تتوقف أثناء الجرّ.	<ul style="list-style-type: none"> الواقى غير مركب على الجرّازة، وهو ما يؤدي إلى خيوط قطع طويل للغاية ووجود حمل زائد على المحرك. تم استخدام خيوط قطع ثقيل. هناك عشب ملتف حول عمود المحرك أو رأس الجرّازة. هناك حمل زائد على المحرك. مجموعة البطارية أو الجرّازة العاملة بالخيوط ساخنة للغاية. مجموعة البطارية مفصولة من الآلة. نقد شحن مجموعة البطارية. 	<ul style="list-style-type: none"> اخلع مجموعة البطارية وركب الواقى على الجرّازة. استخدم خيوط الجرّ الموصى به من النايلون بحيث لا يزيد قطره عن 2.4 مم. أوقف الجرّازة، واخلع البطارية، وتخلص من العشب الملتف على عمود المحرك ورأس الجرّازة. ارفع رأس الجرّازة عن الحشائش. سيعاود المحرك العمل عند التخلص من الحمل الواقع عليه. أثناء الجرّ، حرك رأس الجرّازة داخل الحشائش المراد جزّها وخارجها، ولا تقم بإزالة طول يزيد عن 20 سم في كل مرة جرّ. اترك مجموعة البطارية أو الجرّازة تبرد إلى تهبط درجة الحرارة إلى ما دون 67 درجة مئوية. أعد تركيب مجموعة البطارية. اشحن مجموعة البطارية بشواحن EGO المدرجة في هذا الدليل.
لا يقوم رأس الجرّازة بدفع الخيوط للأمام.	<ul style="list-style-type: none"> هناك عشب ملتف حول عمود المحرك أو رأس الجرّازة. لا يوجد خيوط كافٍ على ملف الخيوط. رأس الجرّازة متسخ. الخيوط متشابك في تجميعه رأس الجرّازة. الخيوط قصيرة للغاية. 	<ul style="list-style-type: none"> أوقف الجرّازة، واخلع البطارية، ونظف عمود المحرك ورأس الجرّازة. اخلع البطارية واستبدل خيوط الجرّ؛ واتبع التعليمات الواردة في قسم "استبدال الخيوط" من هذا الدليل. اخلع البطارية، ونظف ملف الخيوط وتجميعه الغطاء السفلي والغطاء العلوي. اخلع البطارية، واخلع الخيوط من ملف الخيوط وأعد لفته؛ واتبع التعليمات الواردة في قسم "إعادة تحميل خيوط الجرّ" من هذا الدليل. اخلع البطارية واسحب الخيوط يدويًا بينما تقوم بشكل متناوب بالضغط على رأس الجرّازة لأسفل ثم تحريرها.

المشكلة	السبب	الحل
تلتف الحشائش حول رأس الجزّارة وهيكل المحرك.	■ يت جرّ الحشائش الطويلة عند مستوى الأرض. ■	■ اقطع العشب الطويل من أعلى لأسفل، مع إزالة طول لا يزيد عن 20 سم في كل مرة لمنع التفاف العشب على أجزاء الآلة. ■
الشفرة لا تقطع الخيط.	■ أصبحت شفرة قطع الخيط الموجودة على حافة الواقي غير حادة. ■	■ اشحذ شفرة قطع الخيط باستخدام مبرد أو استبدلها بشفرة جديدة. ■
هناك تشققات في رأس الجزّارة، أو تجميع الغطاء السفلي تتفك مع قاعدة ملف الخيوط.	■ رأس الجزّارة متهالك. ■	■ استبدل أس الجزّارة على الفور؛ واتبع التعليمات الواردة في قسم "استبدال رأس الجزّارة" من هذا الدليل. ■
أثناء استبدال الخيط، لا يمكن تحميل الخيط في رأس الجزّارة كما ينبغي.	■ لم يتم إدخال خيط الجرّ بشكل صحيح في فتحة التثبيت الموجودة في الثقب. ■	■ قم بمحاذاة خيوط التحميل مع الثقوب أولاً، ثم أدخل الخيط في فتحة التركيب التي ستجدها داخل الثقب. ■

الضمان

EGO سياسة ضمان

تفضل بزيارة الموقع الإلكتروني egopowerplus.com للتعرف على الشروط والأحكام الكاملة الخاصة بسياسة ضمان EGO.

