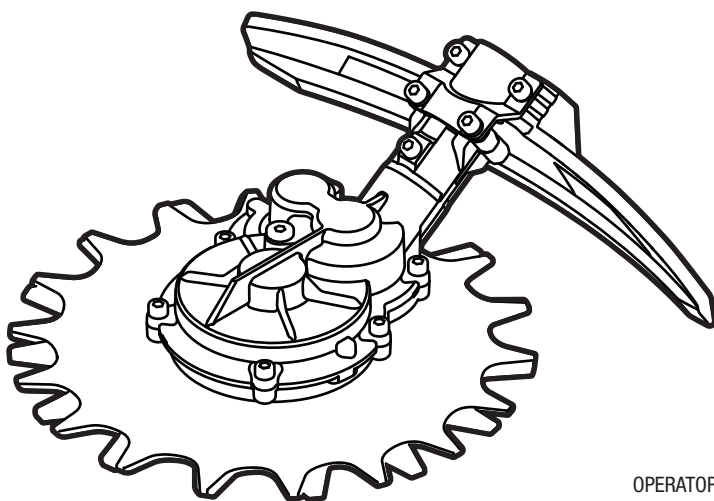


EGO™

POWER⁺ ROTOCUT



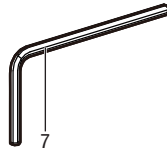
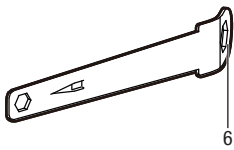
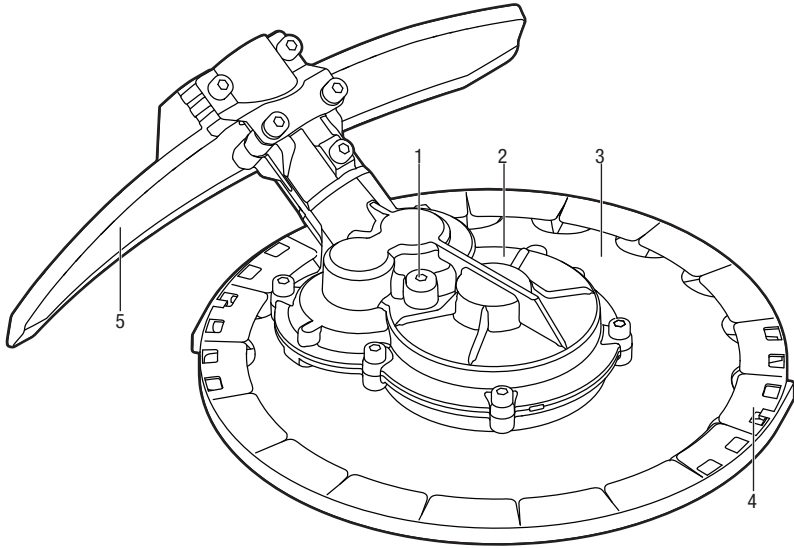
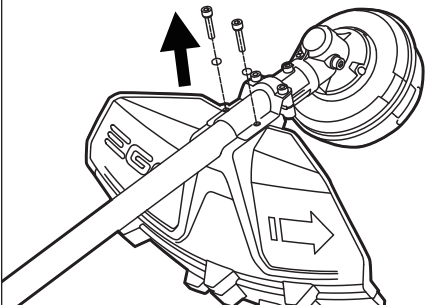
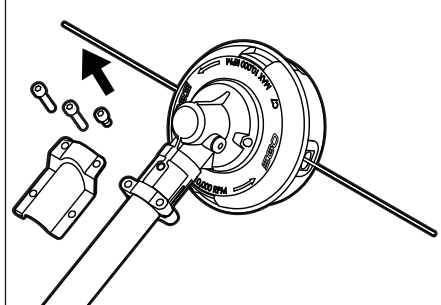
OPERATOR'S MANUAL

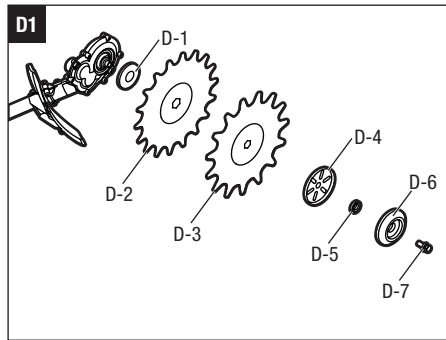
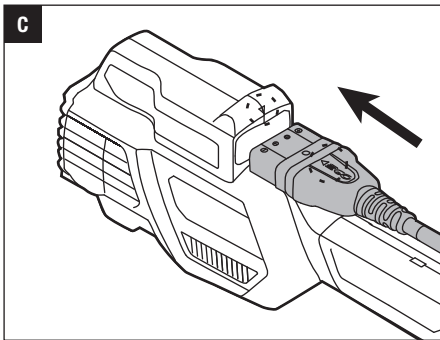
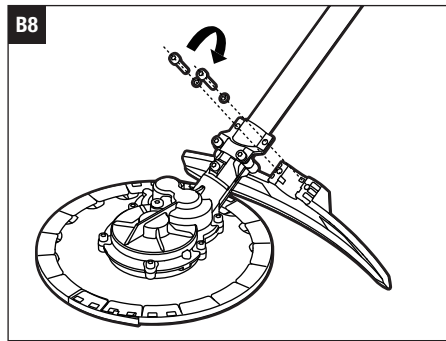
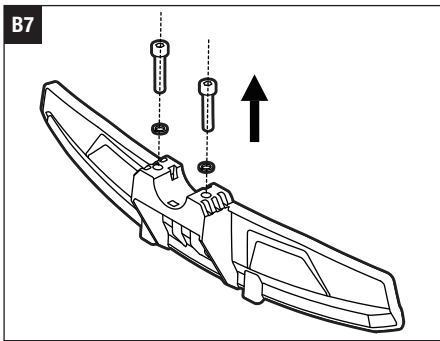
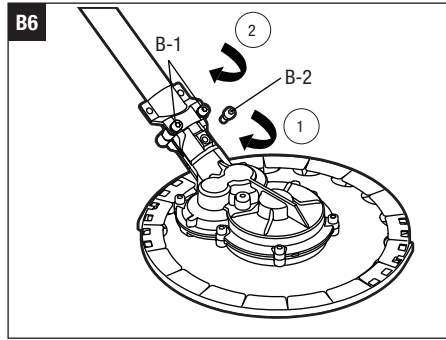
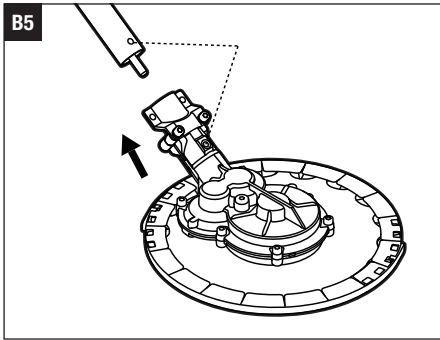
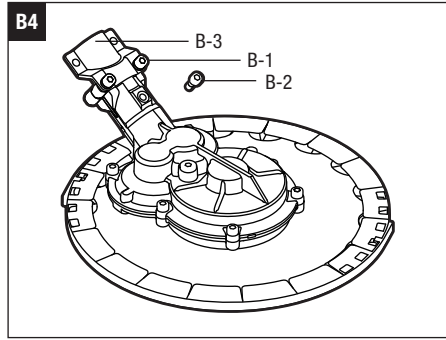
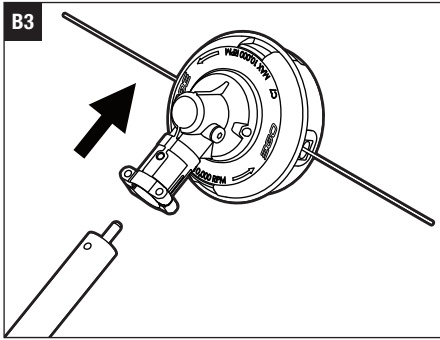
ROTOCUT

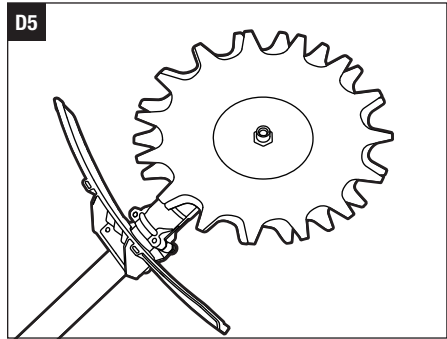
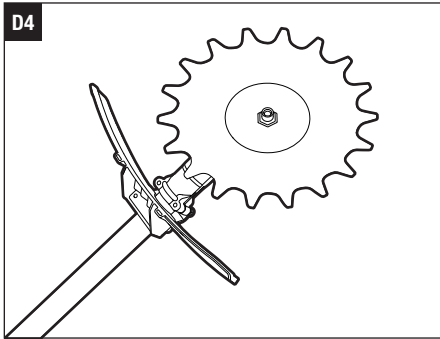
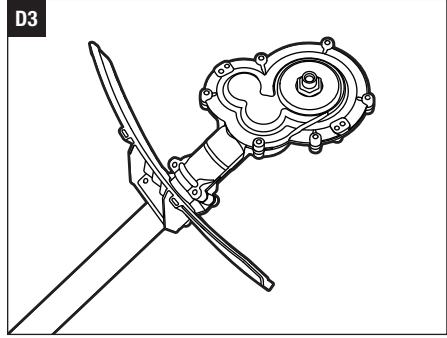
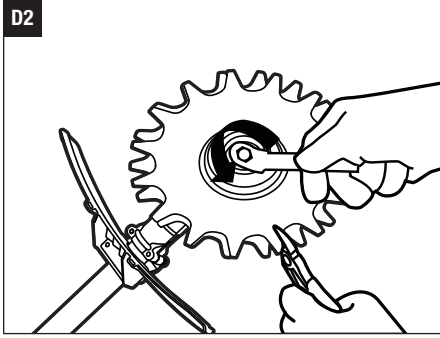
MODEL NUMBER RTX2300

FOR USE WITH 56V LITHIUM-ION LINE TRIMMER STX3800/BRUSH CUTTER BCX3800

EN	Rotocut	6	RO	Rotativ de tăiere	107
DE	Rotocut	11	SL	Rotocut	114
FR	Rotocut	18	LT	Rotocut	120
ES	Rotocut	25	LV	Ritulu prese	126
PT	Roçadora	32	GR	Rotocut	132
IT	Rotocut	38	TR	Kenar Düzeltme Aparatı	139
NL	Rotocut	44	ET	Rotocut	145
DK	Drejeklipper	51	UK	Ротаци́йний різак	151
SE	Rotorskärare	57	BG	Роторна резачка	158
FI	Pyöräleikkuri	63	HR	Kružni rezač	165
NO	Rotocut	69	KA	როტაციული სათიბი	171
RU	Ротационная косилка	75	SR	Rotocut	179
PL	Wycinarka rotacyjna	82	BS	Rotaciona rezna jedinica	185
CZ	Rotocut	89	HE	חרמש רוטורי	191
SK	Rotocut	95	AR	القاطع	196
HU	Rotocut	101			

A**B1****B2**





READ ALL INSTRUCTIONS!



READ OPERATOR'S MANUAL

⚠ Residual risk! People with electronic devices, such as pacemakers, should consult their physician(s) before using this product. Operation of electrical equipment in close proximity to a heart pacemaker could cause interference or failure of the pacemaker.

⚠ WARNING: To ensure safety and reliability, all repairs and replacements should be performed by a qualified service technician.

SAFETY SYMBOL

The purpose of safety symbols is to attract your attention to possible dangers. The safety symbols and the explanations with them deserve your careful attention and understanding. The symbol warnings do not, by themselves, eliminate any danger. The instructions and warnings they give are no substitutes for proper accident prevention measures.

⚠ WARNING: Be sure to read and understand all safety instructions in this Operator's Manual, including all safety alert symbols such as "DANGER," "WARNING," and "CAUTION" before using this tool. Failure to follow all instructions listed below may result in electric shock, fire, and/or serious personal injury.

SYMBOL MEANING



⚠ SAFETY ALERT SYMBOL: Indicates DANGER, WARNING, OR CAUTION, may be used in conjunction with other symbols or pictographs.

⚠ WARNING: The operation of any power tools can result in foreign objects being thrown into your eyes, which can result in severe eye damage. Before beginning power tool operation, always wear safety goggles or safety glasses with side shields and a full-face shield when needed. We recommend a Wide Vision Safety Mask for use over eyeglasses or standard safety glasses with side shields.

SAFETY INSTRUCTIONS

This page depicts and describes safety symbols that may appear on this product. Read, understand, and follow all instructions on the tool before attempting to assemble and operate it.

	Safety Alert	Precautions that involve your safety.
	Read Operator's Manual	To reduce the risk of injury, user must read and understand operator's manual before using this product.
	Wear Eye Protection	Always wear safety goggles or safety glasses with side shields and a full-face shield when operating this product.
	Wear Ear Protection	Always wear ear protection when operating this product.
	Wear Head Protection	Wear an approved safety hard hat to protect your head.
	Wear Protective Gloves	Protect your hands with gloves when handling blade or blade guard.
	Wear Safety Footwear	Wear non-slip safety footwear when using this equipment.
	Beware of blade thrust	Warn the operator of the danger of blade thrust.
	Ricochet and Keep Bystanders Away	Thrown objects can ricochet and result in personal injury or property damage. Ensure that other people and pets remain away from the brush cutter when it is in use.
	Keep Bystanders Away	Ensure that other people and pets remain at least 15m away from the line trimmer when it is in use.
	No round blade	Do not install round cutting blades.
	WEEE	Waste electrical products should not be disposed of with household waste. Take to an authorized recycler.
	Noise	Guaranteed sound power level. Noise emission to the environment according to the European community's Directive

	CE	This product is in accordance with applicable EC directives.
V	Volt	Voltage
n_0	No Load Speed	Rotational speed, at no load
min^{-1}	Per Minute	Revolutions per minute
	Direct Current	Type or a characteristic of current
kg	Kilogram	Weight

IMPORTANT SAFETY INSTRUCTIONS

⚠ WARNING: Read all safety warnings, instructions, illustrations and specifications provided with this power tool. Failure to follow all instructions listed below may result in electric shock, fire and/or serious injury.

Save all warnings and instructions for future reference.

- **Avoid Dangerous Environments** – Don't use appliances on damp or wet slope.
- **Keep guards in place and in working order.**
- **Keep hands and feet away from the cutting area.**
- **To reduce the risk of injury, never work on a ladder or on any other insecure support. Never hold the cutting unit above waist height.**
- **Check the cutting unit at regular short intervals during operation, or immediately if there is a noticeable change in cutting behavior.**
- **For best results, your battery should be charged in a location where the temperature is greater than 5° C and less than 40° C.** Do not store it outside or in vehicles.
- **If you are approached, stop the motor and cutting unit.**
- **Warn the operator of the danger of blade thrust.**
- Blade thrust may occur when the spinning blade contacts an object that it does not immediately cut.
- Blade thrust can be violent enough to cause the unit and/or operator to be propelled in any direction, and possibly lose control of the unit.
- Blade thrust can occur without warning if the blade snags, stalls or binds.
- Blade thrust is more likely to occur in areas where it is difficult to see the material being cut.

- **Do not attach any blade to a unit without proper installation of all required parts.** Failure to use the proper parts can cause the blade to fly off and seriously injure the operator and/or bystanders. Discard blades that are bent, warped, cracked, broken, or damaged in any way. Use a sharp blade. A dull blade is more likely to snag and thrust.
- **A coasting blade/line can cause injury while it continues to spin after the motor is stopped or trigger is released.** Maintain proper control until the blade/line has completely stopped rotating.
- **Battery tools do not have to be plugged into an electrical outlet; therefore, they are always in operating condition.** Be aware of possible hazards even when the tool is not operating. Take care when performing maintenance or service.
- **Do not wash with a hose; avoid getting water in motor and electrical connections.**
- **If situations occur that are not covered in this manual, use care and good judgment. Contact the EGO Customer Service Center for assistance.**

SAVE THESE INSTRUCTIONS!

SPECIFICATIONS

No-load Speed	Up to 450/min		
Cutting Blade	ABR2300		
Recommended Operating Temperature	0°C-40°C		
Recommended Storage Temperature	-20°C-70°C		
Optimum Charging Temperature	5°C-40°C		
Weight	1.9 kg		
Measured sound power level L_{WA}	96.1 dB(A) K = 3.8 dB (A)		
Sound pressure level at operator's ear L_{PA}	83.2 dB(A) K = 2.5 dB(A)		
Guaranteed sound power level L_{WA} (measured according to 2000/14/EC)	100 dB(A)		
Valuation of vibration $a_{h,r}$:	Machine	With STX3800	With BCX3800
	Left handle	0.7 m/s ²	0.6 m/s ²
	Right handle	K = 1.5 m/s ²	K = 1.5 m/s ²

- The declared vibration total value has been measured in accordance with a standard test method and may be used for comparing one tool with another;
- The declared vibration total value may also be used in a preliminary assessment of exposure.

NOTICE: The vibration emission during actual use of the power tool can differ from the declared value in which the tool is used; In order to protect the operator, user should wear gloves and ear protectors in the actual conditions of use.

DESCRIPTION

KNOW YOUR ROTOCUT (Fig. A)

1. Sealing Screw
2. Gear Case
3. Blade
4. Blade Sheath
5. Guard Assembly
6. Wrench
7. Allen Key
8. Bush (For using with 25mm diameter tube)

PACKING LIST

PART NAME	QUANTITY
ROTOCUT	1
Guard Assembly	1
Wrench	1
Allen Key	1
Bush	1
Operator's Manual	1

ASSEMBLY

⚠ WARNING: If any parts are damaged or missing, do not operate this product until the parts are replaced. Use of this product with damaged or missing parts could result in serious personal injury.

⚠ WARNING: Do not attempt to modify this product or create accessories not recommended for use with this machine. Any such alteration or modification is misuse and could result in a hazardous condition leading to possible serious personal injury.

⚠ WARNING: To prevent accidental starting that could cause serious personal injury, always unplug the battery connector from the socket when assembling parts.

REPLACE THE TRIMMER HEAD WITH ROTOCUT HEAD

1. Hold your line trimmer/brush cutter and use the allen key to remove trimmer guard, trimmer head and gear case from the drive shaft (Fig. B1-B3). The drive shaft will be used for assembly of the ROTOCUT later.
2. Remove the ROTOCUT from its packaging, loosen the two Screw 1# and hold them on the fixing plate, loosen and remove the Screw 2# from the fixing plate. (Fig. B4)

B-1	Screw 1#	B-2	Screw 2#
B-3	The fixing plate		

3. Insert the ROTOCUT head onto the drive shaft removed in step 1, make sure the hole of B-2 screw is aligned with the hole on the drive shaft (Fig. B5).
4. Insert the B-2 screw first and tighten it, and then tighten the two screws of B-1 (Fig. B6).
5. Remove the ROTOCUT guard from its packaging and loosen the two bolts in the guard. Remove and reserve the two bolts and spring washers from the guard (Fig. B7).
6. Lift the ROTOCUT head and face it downward; align the two mounting holes in the guard with the two assembly holes in the ROTOCUT fixing plate. Make sure the guard direction is as the picture below, the arc shape around the cutting teeth. (Fig. B8).
7. Use the allen key to lock the guard in place.
8. Remove the blade sheath from the blade during operation.

OPERATION

⚠ WARNING: Do not allow familiarity with this product to make you careless. Remember that a careless fraction of a second is sufficient to inflict serious injury.

⚠ WARNING: Always wear eye protection, along with hearing protection. Failure to do so could result in objects being thrown into your eyes and other possible serious injuries.

⚠ WARNING: Do not use any attachments or accessories not recommended by the manufacturer of this product. The use of attachments or accessories not recommended can result in serious personal injury.

⚠ WARNING: To prevent serious personal injury, disconnect the battery power from the tool before servicing, cleaning, changing attachments or removing material from the unit.

You may use this product for the purposes listed below:

Cutting: used for cutting the grass around stakes or guard rails, wall edges, road curbs, fences in the running traffic, or trimming the vegetation on parking lots.

NOTICE: When using the ROTOCUT, ensure that no foreign objects are thrown out which entails strong risks: broken windows, dented car bodies, slit fences, torn tree bark or personal injury.

TO CONNECT/DISCONNECT THE BATTERY POWER (Fig. C)

Fully charge before first use.

Align ▲ of plug with ▲ of the machine. Insert the plug into the tool until the green seal completely disappeared into the socket.

To disconnect the battery power, just unplug it by holding and pull backward.

STARTING/STOPPING THE TOOL (FOR STX3800 & BCX3800)

See “STARTING/STOPPING THE LINE TRIMMER/ THE BRUSH CUTTER” section in STX3800/BCX3800 operator’s manual.

USING THE TOOL

⚠ WARNING: To avoid serious personal injury, wear goggles or safety glasses at all times when operating this unit. Wear a face mask or dust mask in dusty locations.

Clear the area to be cut before each use. Remove all objects, such as rocks, broken glass, nails, wire, or line, that can be thrown or become entangled in the cutting attachment. Clear the area of children, bystanders, and pets. At a minimum, keep all children, bystanders and pets at least 15m away; there still may be risk to bystanders from thrown objects. Bystanders should be encouraged to wear eye protection. If you are approached, stop the motor and cutting attachment immediately.

Before each use, check for damage/worn parts

Check the ROTOCUT head, guard and loop handle and replace the parts that are cracked, warped, bent, or damaged in any way.

⚠ WARNING: Always wear gloves when mounting the guard or servicing the blade. Take care of the blade and protect your hand from cutting.

After each use, clean the tool.

⚠ CAUTION: Obstructions in the vents will prevent the air from flowing into the motor housing and result in overheating or damaged of the motor.

- Use only mild soap and a damp cloth to clean the tool. Never let any liquid get inside the tool; never immerse any part of the tool into a liquid.
- Keep air vents in the motor housing from debris at all times.

MAINTENANCE

⚠ WARNING: When servicing, use only identical replacement parts. Inspect and maintain the tool regularly. To ensure safety and reliability, all repairs should be performed by a qualified service technician.

⚠ WARNING: Battery tools do not have to be plugged into an electrical outlet; therefore, they are always in operating condition. To prevent serious personal injury, take extra precautions and care when performing maintenance, service or for changing the cutting attachment or other attachments.

⚠ WARNING: To prevent serious personal injury, disconnect the battery power from the tool before servicing, cleaning, changing add-on attachments or removing material from the unit.

ROTOCUT BLADE REPLACEMENT

⚠ WARNING: If the blades become loose after it is fixed in position or the blades are badly worn, replace the blades immediately. Never use a tool with a loose or ineffective cutting attachment.

Know the ROTOCUT head as Fig. D1 shown.

D-1	Shaft Cup	D-2	Top-Blade
D-3	Bottom-Blade	D-4	Support Cup
D-5	Washer	D-6	Gliding Bowl
D-7	Nut		

1. Place the gear case of the ROTOCUT head against a solid surface. Clamp the up and down blades with pliers or in a vise, then use the wrench to loosen the nut (Fig. D2).
2. Remove the nut, gliding bowl, washer, support cup, down blade, up blade and shaft cup in sequence as Fig. D1 shown.

3. Before installing new blades, put the shaft cup on the shaft (Fig. D3). Put the top-blade with big hexagonal hole onto the shaft with the surface printed "EGO" logo facing toward the gear case (Fig. D4), then put the bottom-blade with small hexagonal hole onto the shaft with the surface printed "EGO" logo facing toward operator (Fig. D5).

NOTICE: Make sure the hexagon holes on the blades and hexagon shaft shoulder fit in place. Otherwise once the blades are mounted reversely, the ROTOCUT cannot work correctly and will damage the blades.

4. Follow the sequence shown in Fig. D1 to reassemble them.

LUBRICATE THE GEAR CASING

For best operation and longer lifetime, lubricate the gear case with a special grease (4-5g each time) after every 50 hours operation.

The special grease should meet the following requirements.

1. Belong to DIN51818: NLGI-1 cone penetration degree.
2. Ester base grease.
3. Excellent low-temperature startup, EP, mechanical shearing, abrasion resistance and oxidative stability properties.
4. Operation temperature must contain -40~180°C. Remove the sealing screw. Fill grease into the gear case through the oil-hole.

⚠ WARNING: Do not lubricate while the tool is still connected with battery or running.

CLEANING THE UNIT

- Clean the unit using a damp cloth with a mild detergent.
- Do not use any strong detergents on the plastic housing or the handle. They can be damaged by certain aromatic oils, such as pine and lemon, and by solvents such as kerosene. Moisture can also cause a shock hazard. Wipe off any moisture with a soft dry cloth.

STORING THE UNIT

- Disconnect the battery power from the tool when it is not in use.
- Clean the tool thoroughly before storing it.
- Store the unit in a dry, well-ventilated area, locked-up or up high, out of the reach of children. Do not store the unit on or adjacent to fertilizers, petrol, or other chemicals.
- Use of a transport cover for metal blades during transport and storage.

Protecting the environment



WEEE (Waste Electrical and Electronic Equipment)

Do not dispose of electrical equipment, used battery and charger into household waste! Take this product to an authorized recycler and make it available for separate collection. Electric tools must be returned to an environmentally compatible recycling facility.



EN TROUBLESHOOTING

PROBLEM	CAUSE	SOLUTION
ROTOCUT fails to start.	<ul style="list-style-type: none">■ The battery pack is not properly connected to the power head.■ The battery pack is depleted.■ The lock-off lever and trigger are not depressed simultaneously.	<ul style="list-style-type: none">■ Connect the battery pack to the power head.■ Charge the battery pack with an EGO charger listed in this manual.■ Press the lock-off lever and hold it, then depress the trigger to turn on the unit.
ROTOCUT stops while cutting.	<ul style="list-style-type: none">■ The motor is overloaded.■ The battery pack is too hot.■ The battery pack is disconnected from the tool	<ul style="list-style-type: none">■ The motor will recover when the load is removed. For continuous work, decrease the load on the ROTO CUT and avoid deep cutting; instead, make progressively deeper cuts.■ Allow the battery pack to cool down naturally, or air blow to speed up the cooling.■ Reconnect the battery pack.

WARRANTY

EGO WARRANTY POLICY

Please visit the website egopowerplus.com for full terms and conditions of the EGO Warranty policy.

LESEN SIE ALLE ANWEISUNGEN!



LESEN SIE DIE BETRIEBSANLEITUNG

⚠ Restrisiko! Menschen mit elektronischen Geräten, wie z.B. Herzschrittmachern, sollten ihren Arzt konsultieren, bevor sie dieses Gerät verwenden. Die Bedienung von Elektrogeräten in unmittelbarer Nähe zu Herzschrittmachern kann zu Interferenzen und Störungen des Schrittmachers führen.

⚠ WARNUNG: Um die Sicherheit und Zuverlässigkeit zu gewährleisten, sollten alle Reparaturen und der Austausch von Teilen nur von qualifizierten Servicetechnikern durchgeführt werden.

WARNSYMBOL

Der Zweck von Warnsymbolen besteht darin, Ihre Aufmerksamkeit auf mögliche Gefahren zu lenken. Die Warnsymbole und deren Erklärungen verdienen Ihre vollste Aufmerksamkeit und Beachtung. Durch die Warnsymbole allein sind die Gefahren noch nicht ausgeschaltet. Die Anweisungen und Warnhinweise stellen keinen Ersatz für angemessene Unfallverhütungsmaßnahmen dar.

⚠ WARNUNG: Vor der Benutzung des Geräts sollten Sie alle Sicherheitsanweisungen in dieser Bedienungsanleitung gelesen und verstanden haben, vor allem die Sicherheits- und Gefahrenzeichen wie „VORSICHT“, „WARNUNG“ und „ACHTUNG“. Die Nichtbeachtung aller aufgeführten Anweisungen kann zu Stromschlägen, Bränden und/oder schweren Verletzungen führen.

SYMBOLBEDEUTUNG

⚠ SICHERHEITSWARNSYMBOL: Weist auf **GEFAHR**, **WARNUNG** ODER **VORSICHT** hin, es kann zusammen mit anderen Symbolen oder Bildern verwendet werden.

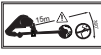





⚠ WARNUNG: Beim Betrieb von Elektrowerkzeugen besteht die Gefahr, dass Fremdkörper in Ihre Augen geschleudert werden und Sie dadurch schwerwiegende Augenschäden davontragen. Tragen Sie immer eine Schutzbrille, wenn möglich mit Seitenschutz, oder, falls nötig, einen vollen Gesichtsschutz, bevor Sie Arbeiten mit dem Elektrowerkzeug verrichten. Wir empfehlen Ihnen, einen Gesichtsschutz über Ihrer eigenen Brille oder eine herkömmliche Schutzbrille mit Seitenschutz zu tragen.

SICHERHEITSHINWEISE

Auf dieser Seite werden die Warnsymbole vorgestellt und beschrieben, die sich unter Umständen an dem Gerät befinden. Alle Anweisungen am Gerät lesen, verstehen und befolgen, bevor das Gerät montiert und eingesetzt wird.

DE

	Sicherheitswarnung	Vorsichtsmaßnahmen zu Ihrer Sicherheit
	Bedienungsanleitung lesen	Um das Verletzungsrisiko zu verringern, muss der Benutzer die Bedienungsanleitung vor der Benutzung des Gerätes gelesen und verstanden haben.
	Augenschutz tragen	Tragen Sie immer eine Schutzbrille, möglichst mit Seitenschutz, und einen Gesichtsschutz, wenn Sie das Gerät bedienen.
	Gehörschutz tragen	Tragen Sie immer einen Gehörschutz, wenn Sie das Gerät bedienen.
	Kopfschutz tragen	Tragen Sie einen geprüften Helm, um Ihren Kopf zu schützen.
	Schutzhandschuhe tragen	Schützen Sie Ihre Hände beim Umgang mit dem Messer oder dem Schneidschutz mit Handschuhen.
	Tragen Sie Sicherheitsschuhe	Tragen Sie beim Gebrauch dieses Gerätes rutschfeste Sicherheitsschuhe.
	Achten Sie auf Rückschlag des Messers	Warnen Sie den Benutzer vor den Gefahren eines Rückschlags durch das Messer.
	Querschläger, unbefugte Personen fernhalten	Weggeschleuderte Gegenstände können abprallen und Personen- oder Sachschäden verursachen. Stellen Sie bei Betrieb sicher, dass andere Personen und Haustiere dem Gestrüppschneider fernbleiben.

	Unbefugte Personen fernhalten	Bei Einsatz des Rasentrimmers müssen andere Personen und Haustiere einen Abstand von mindestens 15 m vom Rasentrimmer einhalten.
	Kein rundes Messer	Keine runden Messer montieren.
	WEEE	Elektrische Altgeräte dürfen nicht im Hausmüll entsorgt werden. Bringen Sie das Gerät zu einem Wertstoffhof.
	Lärm	Garantierter Schallleistungspegel. Geräuschemission an die Umgebung gemäß Richtlinie der Europäischen Gemeinschaft.
	CE	Dieses Produkt erfüllt die einschlägigen EG-Richtlinien.
V	Volt	Spannung
n ₀	Leerlaufdrehzahl	Drehzahl im Leerlauf
min ⁻¹	pro Minute	Umdrehungen pro Minute
	Gleichstrom	Art oder Eigenschaft der Stromzufuhr
kg	Kilogramm	Gewicht

- Alle Schutzvorrichtungen müssen angebracht und intakt sein.
- Halten Sie Hände und Füße vom Arbeitsbereich fern.
- Um das Verletzungsrisiko zu reduzieren, arbeiten Sie nie auf einer Leiter oder einem anderen wackeligen Untergrund. Halten Sie den Schneidaufsatz niemals über Tailenhöhe.
- Überprüfen Sie das Schneidwerkzeug in regelmäßigen Abständen während des Betriebs oder sobald Sie eine Veränderung beim Schnittverhalten bemerken.
- Der Akku sollte nach Möglichkeit an einem Ort aufgeladen werden, an dem die Temperatur zwischen 5°C und 40°C beträgt. Nicht im Freien oder in Fahrzeugen aufbewahren.
- Wenn jemand auf Sie zukommt, stellen Sie den Motor und das Schneidwerkzeug ab.
- Warnen Sie den Benutzer vor den Gefahren eines Rückschlags durch das Messer.
- Zu einem Rückschlag kann es kommen, wenn das rotierende Messer auf einen Gegenstand trifft, den es nicht sofort schneiden kann.
- Der Rückschlag kann so heftig sein, dass das Gerät und/oder der Benutzer in eine beliebige Richtung geschleudert werden kann. Dabei geht die Kontrolle über das Gerät unter Umständen verloren.
- Ein Rückschlag kann plötzlich ohne Vorwarnung auftreten, wenn das Messer stecken bleibt, stillsteht oder verkantet.
- Rückschläge treten eher an Stellen auf, an denen das zu schneidende Material schwer zu erkennen ist.
- Befestigen Sie erst dann ein Messer am Gerät, wenn alle erforderlichen Teile korrekt montiert sind. Werden die Teile nicht korrekt montiert, kann sich das Messer lösen und den Benutzer und/oder Passanten ernsthaft verletzen. Verbogene, verformte, gerissene, gebrochene oder auf andere Weise beschädigte Messer müssen entsorgt werden. Verwenden Sie ein scharfes Messer. Ein stumpfes Messer wird eher stecken bleiben und einen Rückschlag verursachen.
- Ein auslaufendes Messer bzw. eine Schnur kann Verletzungen verursachen, während es bzw. sie sich noch dreht, nachdem der Motor ausgeschaltet oder der Auslöser losgelassen wurde. Halten Sie das Gerät gut fest, bis das Messer bzw. die Schnur vollkommen stillsteht.

WICHTIGE SICHERHEITSHINWEISE

⚠️ WARNUNG: Lesen Sie alle Sicherheitshinweise, Anweisungen, Abbildungen und Spezifikationen, die diesem Elektrowerkzeug beigelegt wurden. Die Nichtbeachtung aller unten aufgeführten Anweisungen kann zu Stromschlägen, Feuer und/oder schweren Verletzungen führen.

Bewahren Sie alle Warn- und Bedienungshinweise für Nachschlagezwecke auf.

- Gefährliche Umgebungen meiden – Benutzen Sie das Gerät nicht an feuchten oder nassen Böschungen.

- **Akkubetriebene Werkzeuge müssen nicht an eine Steckdose angeschlossen werden; sie sind daher immer einsatzbereit.** Seien Sie sich möglicher Gefahren bewusst, selbst wenn das Werkzeug nicht in Betrieb ist. Lassen Sie bei Wartungsarbeiten oder Reparaturen Vorsicht walten.
- **Das Gerät nicht mit einem Wasserschlauch abspritzen. In den Motor und die elektrischen Verbindungen darf kein Wasser gelangen.**
- **Falls Situationen auftreten, die nicht in dieser Bedienungsanleitung behandelt werden, gehen Sie vorsichtig und vernünftig vor. Für Hilfestellungen wenden Sie sich an das EGO-Kundendienstzentrum.**

HEBEN SIE DIESE ANLEITUNG AUF!

TECHNISCHE DATEN

Leerlaufdrehzahl	Bis 450 /min		
Messer	ABR2300		
Empfohlene Betriebstemperatur	0°C-40°C		
Empfohlene Lagertemperatur	-20°C-70°C		
Optimale Ladetemperatur	5°C-40°C		
Gewicht	1,9 kg		
Gemessener Schalleistungspegel L_{WA}	96,1 dB(A) K = 3,8 dB(A)		
Schalldruckpegel am Ohr des Bedieners L_{PA}	83,2 dB (A) K = 2,5 dB(A)		
Garantierter Schalleistungspegel L_{WA} (gemessen gemäß 2000/14/EC)	100 dB(A)		
Vibrationswert a_{hr} :	Maschine	Mit STX3800	Mit BCX3800
	Linker Griff	0,7 m/s ²	0,6 m/s ²
	Rechter Griff	K = 1,5 m/s ²	K = 1,5 m/s ²

- Der angegebene Vibrationsgesamtwert wurde nach einem Standard-Prüfverfahren gemessen und kann zum Vergleich mit einem anderen Werkzeug herangezogen werden.
- Der angegebene Vibrationsgesamtwert kann auch zur vorläufigen Risikobewertung herangezogen werden.

HINWEIS: Die beim Einsatz des Elektrowerkzeugs entstehenden Istvibrationen können von dem angegebenen Wert abweichen. Zum Schutz des Benutzers sollten Handschuhe und ein Gehörschutz während des Geräteeinsatzes getragen werden.

BESCHREIBUNG

MACHEN SIE SICH MIT IHREM ROTOCUT VERTRAUT (Abb. A)

1. Verschlusschraube
2. Getriebegehäuse
3. Sägeblatt
4. Messerhülle
5. Schutzabdeckung-Einheit
6. Schraubenschlüssel
7. Inbusschlüssel
8. Buchse (für die Benutzung mit einem Schlauch mit 25 mm)

PACKLISTE

BEZEICHNUNG DES TEILS	MENGE
ROTOCUT	1
Schutzabdeckung-Einheit	1
Schraubenschlüssel	1
Inbusschlüssel	1
Buchse	1
Bedienungsanleitung	1

MONTAGE

⚠️ WARNUNG: Wenn irgendwelche Teile beschädigt sind oder fehlen, verwenden Sie das Produkt nicht, bis alle Teile ersetzt worden sind. Die Verwendung dieses Produkts mit beschädigten oder fehlenden Teilen kann zu schweren Verletzungen führen.

⚠️ WARNUNG: Versuchen Sie nicht, dieses Produkt zu verändern oder Zubehörteile zu verwenden, die für den Einsatz mit dieser Maschine nicht empfohlen werden. Jegliche Änderung oder falsche Anwendung dieses Geräts gilt als Zweckentfremdung und kann sehr riskant sein und zu möglichen schweren Körperverletzungen führen.

⚠️ WARNUNG: Um einen unbeabsichtigten Geräteanlauf zu verhindern, muss der Akkustecker immer zuerst aus dem Anschluss gezogen werden.

AUSWECHSELN DES MÄHKOPFS DURCH DEN ROTOCUT-KOPF

DE

1. Halten Sie Ihren Rasentrimmer/Gestrüppschneider fest und entfernen Sie mithilfe des Inbusschlüssels die Trimmerschutzabdeckung, den Timmerkopf und das Getriebegehäuse von dem Antriebsschaft (Abb. B1 bis B3). Der Antriebsschaft wird später für die Montage des ROTOCUT verwendet.
2. Nehmen Sie den ROTOCUT aus der Verpackung, lösen Sie die beiden Schrauben 1# und halten Sie sie auf der Fixierplatte; lösen und entfernen Sie Schraube 2# aus der Fixierplatte. (Abb. B4)

B-1	Schraube 1#	B-3	Die Fixierplatte
B-2	Schraube 2#		

3. Setzen Sie dann den ROTOCUT-Kopf auf den Antriebsschaft, die Sie in Schritt 1 entfernt haben. Das Loch der B-2 Schraube muss auf das Loch am Antriebsschaft ausgerichtet sein (Abb. B5).
4. Stecken Sie die B-2 Schraube zuerst in das Loch und ziehen Sie sie fest. Ziehen Sie dann die beiden B-1 Schrauben fest (Abb. B6).
5. Nehmen Sie die ROTOCUT-Schutzabdeckung aus ihrer Verpackung und lösen Sie die beiden Bolzen in der Schutzabdeckung. Entfernen und bewahren Sie die zwei Bolzen und Federringe aus der Schutzabdeckung für später auf (Abb. B7).
6. Heben Sie den ROTOCUT-Kopf an, sodass er nach unten zeigt; richten Sie die zwei Befestigungslöcher in der Schutzabdeckung auf die Montagelöcher in der ROTOCUT-Fixierplatte aus. Die Schutzabdeckung muss wie in der unten gezeigten Abbildung ausgerichtet sein, die Bogenform um die Schneidzähne. (Abb. B8)
7. Fixieren Sie die Schutzabdeckung mit dem Inbusschlüssel.
8. Entfernen Sie für den Betrieb die Messerhülle vom Messer.

BEDIENUNG

⚠️ WARNUNG: Auch wenn Sie sich mit dem Gerät auskennen, sollten Sie sich nicht zu einer gewissen Nachlässigkeit verleiten lassen. Denken Sie daran, dass ein kurzer Moment der Unachtsamkeit zu ernsthaften Verletzungen führen kann.

⚠️ WARNUNG: Tragen Sie immer einen Augenschutz und einen Gehörschutz. Andernfalls besteht die Gefahr,

dass Gegenstände in Ihre Augen geschleudert werden oder andere schwere Verletzungen auftreten.

⚠️ WARNUNG: Verwenden Sie keine Anbauwerkzeuge oder Zubehörteile, die nicht vom Hersteller dieses Produkts empfohlen worden sind. Der Gebrauch von nicht empfohlenen Aufsätzen oder Zubehör kann zu schweren Verletzungen führen.

⚠️ WARNUNG: Um schwere Eigenverletzungen zu verhindern, trennen Sie die Akkuverbindung zum Werkzeug, bevor Sie das Gerät warten, reinigen, Anbauwerkzeuge auswechseln oder Schnittgut aus dem Gerät entfernen.

Sie können dieses Produkt für die unten aufgeführten Zwecke einsetzen:

Schneiden: zum Schneiden von Gras rund um Pflähe oder Geländer, entlang Wandkanten, Bordsteinen, Zäunen im fließenden Verkehr oder Schneiden der Begrünung auf Parkplätzen.

HINWEIS: Achten Sie bei der Benutzung des ROTOCUT darauf, dass keine Fremdkörper herausgeschleudert werden, die ein großes Sicherheitsrisiko darstellen: zerbrochene Fensterscheiben, eingebeulte Autokarosserien, zerstörte Zäune, beschädigte Baumborke oder Verletzungen.

VERBINDEN/TRENNEN DES AKKUSTROMS (Abb. C).

Laden Sie den Akku vor dem ersten Gebrauch voll auf.

Richten Sie **▲** am Stecker mit **▲** an der Maschine aus. Stecken Sie den Stecker in das Werkzeug, bis die grüne Dichtung vollständig im Anschluss verschwunden ist.

Ziehen Sie zum Trennen des Akkus einfach den Stecker heraus, indem Sie ihn greifen und zurück ziehen.

EIN-/AUSSCHALTEN DES WERKZEUGS (FÜR STX3800 und BCX3800)

Lesen Sie den Abschnitt „EIN-/AUSSCHALTEN DES RASENTRIMMERS/GESTRÜPPSCHNEIDER“ in der STX3800/BCX3800-Bedienungsanleitung.

BENUTZUNG DES WERKZEUGS

⚠️ WARNUNG: Tragen Sie zum Schutz vor schweren Verletzungen immer eine Schutzbrille. Tragen Sie eine Gesichts- oder Staubschutzmaske in staubigen Bereichen.

Räumen Sie den Arbeitsbereich vor jedem Einsatz auf. Entfernen Sie alle Gegenstände, wie z.B. Steine,

zerbrochenes Glas, Nägel, Drähte oder Fäden, die vom Gerät umhergeschleudert werden oder sich in der Schneidvorrichtung verfangen könnten. Halten Sie Kinder, Passanten und Haustiere von dem Bereich fern. Halten Sie einen Mindestabstand von 15 m zu Kindern, Passanten und Haustieren ein; auch dann besteht noch Gefahr durch umhergeschleuderte Gegenstände. Schaulustige sollten gebeten werden, Schutzbrillen aufzusetzen. Wenn jemand auf Sie zukommt, stellen Sie den Motor und das Schneidwerkzeug sofort ab.

Prüfen Sie vor jedem Gebrauch auf Schäden/ abgenutzte Teile

Prüfen Sie den ROTOCUT-Kopf, die Schutzabdeckung und den Bügelgriff und ersetzen Sie gerissene, verzogene, verbogene oder anders beschädigte Teile.

⚠️ WARNUNG: Tragen Sie immer Handschuhe, wenn Sie den Fadenschutz montieren oder das Messer instandhalten. Achten Sie auf das Messer und schützen Sie Ihre Hände vor Schnitten.

Reinigen Sie das Werkzeug nach jedem Gebrauch.

⚠️ VORSICHT: Verstopfte Lüftungsschlitze verhindern, dass die Luft in das Motorgehäuse strömen kann. Das führt zu einer Überhitzung oder zu Motorschäden.

- Verwenden Sie nur milde Seife und ein feuchtes Tuch zum Reinigen des Werkzeugs. Keine Flüssigkeit im Werkzeug lassen. Das Werkzeug darf auf keinen Fall in Flüssigkeit getaucht werden.
- Halten Sie die Lüftungsschlitze im Motorgehäuse immer frei von Ablagerungen.

WARTUNG

⚠️ WARNUNG: Verwenden Sie für die Wartung nur baugleiche Ersatzteile. Prüfen und warten Sie das Werkzeug regelmäßig. Um die Sicherheit und Zuverlässigkeit zu gewährleisten, sollten alle Reparaturen nur von qualifizierten Servicetechnikern durchgeführt werden.

⚠️ WARNUNG: Akkubetriebene Werkzeuge müssen nicht an eine Steckdose angeschlossen werden; sie sind daher immer einsatzbereit. Um schwere Verletzungen zu vermeiden, seien Sie beim Warten, Reparieren oder Auswechseln des Schneidaufsatzes oder anderer Aufsätze besonders vorsichtig und treffen Sie besondere Sicherheitsvorkehrungen.

⚠️ WARNUNG: Um schwere Verletzungen zu verhindern, entfernen Sie den Akku aus dem Werkzeug, bevor Sie das Gerät warten, reinigen, Aufsätze auswechseln oder Schnittgut aus dem Gerät entfernen.

WECHSEL DES ROTOCUT-MESSERS

⚠️ WARNUNG: Wenn die Messer sich gelockert haben, nachdem sie fixiert wurden, oder wenn die Messer stark abgenutzt sind, wechseln Sie die Messer unverzüglich aus. Verwenden Sie niemals ein Werkzeug mit einem locker sitzenden oder stumpfen Schneidwerkzeug.

Beschreibung des ROTOCUT-Kopfes, wie in Abb. D1 gezeigt.

D-1	Antriebsschaffteller	D-5	Unterlegscheibe
D-2	Oberes Messer	D-6	Gleitschale
D-3	Unteres Messer	D-7	Mutter
D-4	Stützteller		

1. Stützen Sie das Getriebegehäuse des ROTOCUT-Kopfes an einer festen Fläche ab. Klemmen Sie das obere und untere Messer mit einer Zange oder einem Schraubstock fest; lösen Sie dann mithilfe des Schraubenschlüssels die Mutter (Abb. D2).
 2. Entfernen Sie Mutter, Gleitschale Unterlegscheibe, Stützteller, unteres Messer und Antriebsschaffteller in der in Abb. D1 gezeigten Reihenfolge.
 3. Setzen Sie den Schaffteller vor dem Montieren neuer Messer auf den Antriebsschaft (Abb. D3). Setzen Sie das obere Messer mit der großen Sechskant-Öffnung auf den Antriebsschaft. Die Seite mit dem aufgedruckten „EGO“ Logo muss auf das Getriebegehäuse gerichtet sein (Abb. D4). Setzen Sie dann das untere Messer mit der kleinen Sechskant-Öffnung auf den Antriebsschaft. Die Seite mit dem aufgedruckten „EGO“ Logo muss in Richtung des Benutzers zeigen (Abb. D5).
- HINWEIS:** Achten Sie darauf, dass die Sechskant-Öffnungen an den Messern und die sechskantige Schaftschulter ineinanderpassen. Wenn die Messer verkehrt herum montiert wurden, kann der ROTOCUT nicht korrekt arbeiten und wird die Messer beschädigen.
4. Folgen Sie der in Abb. D1 gezeigten Reihenfolge, um sie wieder zu montieren.

EINÖLEN DES GETRIEBEGEHÄUSES

Für optimales Funktionieren und eine längere Lebensdauer sollten Sie das Getriebegehäuse nach jeweils 50 Betriebsstunden mit einem speziellen Öl schmieren (jedes Mal 4-5 g).

Dieses Öl sollte folgende Anforderungen erfüllen:

1. Fällt unter DIN51818: Walkpenetration NLGI-1.
2. Schmieröl auf Esterbasis
3. Hervorragende Kaltstart- und EP-Eigenschaften, mechanische Abscherung, Abriebfestigkeit und Oxidationsstabilität.
4. Betriebstemperatur von -40~180°C. Entfernen Sie die Verschlusschraube Füllen Sie Öl durch das Schmierloch ins Getriebegehäuse.

⚠️ WARNUNG: Ölen Sie das Werkzeug nicht, wenn es noch mit dem Akku verbunden ist oder läuft.

REINIGEN DES GERÄTES

- Reinigen Sie das Gerät mithilfe eines feuchten Tuchs mit einem milden Reinigungsmittel.
- Benutzen Sie keine starken Reiniger am Kunststoffgehäuse oder am Griff. Die Teile können von bestimmten ätherischen Ölen, wie z. B. Kiefern- oder Zitronenöl und von Lösungsmitteln wie Petroleum angegriffen werden. Feuchtigkeit stellt zudem eine Stromschlaggefahr dar. Wischen Sie feuchte Stellen mit einem weichen trockenen Tuch ab.

AUFBEWAHREN DES GERÄTES

- Trennen Sie die Akkuverbindung vom Werkzeug, wenn es nicht benutzt wird.
- Reinigen Sie das Werkzeug gründlich, bevor Sie es verstauen.
- Lagern Sie das Gerät an einem trockenen, gut belüfteten Ort, der sich abschließen lässt oder hoch gelegen und für Kinder unerreichbar ist. Lagern Sie das Gerät nicht auf oder neben Düngemitteln, Benzin oder anderen Chemikalien.
- Benutzen Sie eine Transportabdeckung für das Transportieren und Aufbewahren von Metallschneiden.

Schutz der Umwelt



WEEE-Altgeräteverordnung (Waste Electrical and Electronic Equipment)

Elektrogeräte, alte Akkus und Ladegeräte dürfen nicht im Hausmüll entsorgt werden! Das Gerät muss einer offiziellen Recycling-Sammelstelle zur getrennten Entsorgung zugeführt werden. Elektrowerkzeuge müssen bei einer umweltfreundlichen Recycling-Einrichtung abgegeben werden.

STÖRUNGSBEHEBUNG

DE

PROBLEM	URSACHE	LÖSUNG
ROTOCUT startet nicht.	<ul style="list-style-type: none"> ■ Der Akku ist nicht richtig mit dem Kombimotor verbunden. ■ Der Akku ist leer. ■ Der Hebel zum Entriegeln und der Auslöser wurden nicht gleichzeitig gedrückt. 	<ul style="list-style-type: none"> ■ Verbinden Sie den Akku mit dem Kombimotor. ■ Akku mit den in dieser Anleitung aufgeführten EGO-Ladegeräten aufladen. ■ Hebel zum Entriegeln gedrückt halten und dann den Auslöser drücken, um das Werkzeug einzuschalten.
ROTOCUT stoppt während des Schneidens.	<ul style="list-style-type: none"> ■ Der Motor ist überlastet. ■ Der Akku ist zu heiß. ■ Akku ist nicht mit dem Werkzeug verbunden. 	<ul style="list-style-type: none"> ■ Der Motor kommt wieder in Schwung, wenn die Last abgenommen wird. Um längere Zeit zu arbeiten, reduzieren Sie die Last auf den ROTO CUT und schneiden Sie nicht zu tief; arbeiten Sie stattdessen mit unterschiedlichen Tiefen. ■ Lassen Sie den Akku auf natürliche Weise abkühlen oder beschleunigen Sie das Abkühlen mithilfe eines Luftgebläses. ■ Verbinden Sie den Akkusatz wieder.

GARANTIE

EGO-GARANTIEBEDINGUNGEN

Sämtliche EGO Garantiebedingungen finden Sie auf der Website egopowerplus.com.

LISEZ TOUTES LES INSTRUCTIONS!

FR



LISEZ LE MANUEL D'UTILISATION

⚠ Risques résiduels! Les personnes portant des appareils électroniques, par exemple des stimulateurs cardiaques, doivent consulter leur(s) médecin(s) avant d'utiliser ce produit. L'utilisation d'un équipement électrique près d'un stimulateur cardiaque peut provoquer des interférences ou la panne du stimulateur cardiaque.

⚠ AVERTISSEMENT: Pour garantir la sécurité et la fiabilité, toutes les réparations et tous les changements de pièce doivent être effectués par un réparateur qualifié.

SYMBOLE DE SECURITE

L'objectif des symboles de sécurité est d'attirer votre attention sur des dangers potentiels. Les symboles de sécurité et les explications les accompagnant doivent être lus attentivement et compris. Les symboles de mise en garde ne permettent pas par eux-mêmes d'éliminer les dangers. Les consignes et mises en garde ne se substituent pas à des mesures de prévention appropriées des accidents.

⚠ AVERTISSEMENT: Lisez et comprenez impérativement toutes les consignes de sécurité de ce manuel d'utilisation, y compris les symboles de mise en garde de sécurité tels que « DANGER », « AVERTISSEMENT » et « ATTENTION » avant d'utiliser cet outil. Le non respect de toutes les instructions énumérées ci-dessous peut entraîner un choc électrique, un incendie et / ou des blessures graves.

SIGNIFICATION DES SYMBOLES

⚠ SYMBOLE DE MISE EN GARDE DE SÉCURITÉ : Indique un **DANGER**, un **AVERTISSEMENT** ou une **MISE EN GARDE**, peut être utilisé en conjonction avec d'autres symboles ou pictogrammes.

⚠ AVERTISSEMENT: L'utilisation d'un outil électrique peut provoquer la projection d'objets étrangers dans vos yeux, ce qui peut entraîner des lésions oculaires graves. Avant de commencer à utiliser l'outil électrique, portez toujours un masque de sécurité ou des lunettes de sécurité avec des protections latérales et une visière complète si nécessaire. Nous vous recommandons de porter un Masque de Sécurité à Vision Panoramique par-dessus des lunettes de vue ou des lunettes de sécurité standards avec des protections latérales.

CONSIGNES DE SÉCURITÉ

Cette page décrit des symboles de sécurité pouvant être présents sur ce produit. Lisez, comprenez et respectez toutes les instructions présentes sur l'outil avant d'essayer de l'assembler et de l'utiliser.

	Alerte de sécurité	Précautions concernant votre sécurité.
	Lire la notice d'utilisation	Pour réduire le risque de blessures, l'utilisateur doit lire et comprendre le manuel d'utilisation avant d'utiliser ce produit.
	Porter une protection oculaire	Toujours porter un masque de sécurité ou des lunettes de sécurité avec boucliers latéraux et un masque facial intégral lors de l'utilisation de ce produit.
	Porter une protection auditive	Toujours porter une protection auditive pendant l'utilisation de ce produit.
	Porter un casque de protection.	Porter un casque de sécurité homologué pour protéger votre tête.
	Porter des gants protecteurs.	Protéger vos mains avec des gants pendant la manipulation des lames.
	Porter des chaussures de sécurité.	Porter des chaussures de sécurité antidérapantes pendant l'utilisation de cet équipement.
	Prendre garde au rebond de lame.	Mettre en garde l'opérateur contre le danger de rebond de lame.
	Projections, tenir toute tierce personne à distance	Des objets projetés peuvent ricocher et provoquer des blessures corporelles ou des dommages matériels. Toujours veiller à ce que les autres personnes et les animaux restent éloignés de la débroussailluse pendant son utilisation.

	Garder les autres personnes éloignées	Veiller à ce que les autres personnes et les animaux restent éloignés d'au moins 15 m du taille-bordure pendant son utilisation.
	Lame non ronde	Ne pas installer de lame de coupe ronde.
	DEEE	Les produits électriques usagés ne doivent pas être jetés avec les ordures ménagères. Apportez-les dans un centre de recyclage agréé.
	Bruit	Niveau de puissance acoustique garanti. Émission de bruit dans l'environnement conformément à la directive CE.
	CE	Ce produit est conforme aux directives CE applicables.
V	Volts	Tension
n_0	Régime à vide	Vitesse de rotation sans charge
min ⁻¹	Par minute	Tours par minute
	Courant continu	Type ou caractéristique du courant
kg	Kilogramme	Poids

CONSIGNES DE SÉCURITÉ IMPORTANTES

⚠ AVERTISSEMENT : Lisez toutes les consignes de sécurité, les instructions, les illustrations et les spécifications de sécurité fournies avec cet outil électrique. Le non-respect des consignes figurant ci-dessous peut provoquer un choc électrique, un incendie et/ou des blessures graves.

Conservez tous les consignes de sécurité et toutes les instructions pour consultation ultérieure.

- Évitez les environnements dangereux – N'utilisez pas les appareils sur des pentes mouillées et détrempées.
- Les dispositifs de protection doivent toujours être assemblés et en bon état de marche.
- Maintenez vos mains et vos pieds éloignés de la zone de coupe.

- Pour réduire le risque de blessures, ne travaillez jamais sur une échelle ni sur aucun autre support instable. Ne maintenez jamais l'accessoire de coupe au-dessus du niveau de votre taille.
- Inspectez l'accessoire de coupe à intervalles courts et réguliers pendant l'utilisation ou immédiatement si vous constatez un changement important dans son comportement de coupe.
- Pour des résultats optimaux, votre batterie doit être rechargée dans un endroit où la température est supérieure à 5°C et inférieure à 40°C. Ne la rangez pas à l'extérieur ni dans un véhicule.
- Si une personne s'approche de vous, éteignez immédiatement le moteur et l'accessoire de coupe.
- Mettre en garde l'opérateur contre le danger de rebond de lame.
- Un rebond de lame peut se produire si la lame en rotation entre en contact avec un objet qu'elle ne coupe pas immédiatement.
- Le rebond de lame peut être suffisamment violent pour projeter l'outil et/ou l'opérateur dans n'importe quelle direction et provoquer la perte de contrôle de l'outil.
- Le rebond de lame peut se produire sans avertissement si la lame se coince, se bloque ou s'accroche.
- Un rebond de lame a une plus forte probabilité de se produire dans les endroits où il est difficile de voir le matériau en train d'être coupé.
- N'assemblez jamais une lame sur un outil sans correctement installer toutes les pièces requises. Ne pas utiliser les pièces appropriées peut provoquer la désolidarisation et la projection de la lame, et des blessures graves chez l'opérateur et/ou d'autres personnes. Jetez les lames tordues, voilées, fissurées, cassées ou endommagées de quelque manière que ce soit. Utilisez une lame affûtée. Une lame émoussée risque davantage d'accrocher et de provoquer un rebond.
- Une lame/un fil en roue libre peut provoquer des blessures lorsqu'elle/il reste en rotation après que vous avez relâché l'interrupteur marche/arrêt ou après l'arrêt du moteur. Maintenez un contrôle approprié jusqu'à ce que la lame/le fil se soit complètement arrêté de tourner.
- Les outils alimentés par batterie n'ont pas à être branchés dans une prise électrique, ils sont donc toujours prêts à fonctionner. Prenez garde aux dangers potentiels même quand l'outil n'est pas en fonctionnement. Faites attention pendant l'entretien ou la réparation.

- Ne lavez pas l'outil avec un tuyau. Évitez que de l'eau ne pénètre dans le moteur et sur les connexions électriques.
- Si des situations non décrites par ce manuel se produisent, faites preuve de prudence et de bon sens. Contactez le centre de réparation EGO pour toute demande d'assistance.

FR

CONSERVEZ CE MANUEL D'UTILISATION !

SPÉCIFICATIONS

Régime à vide	Jusqu'à 450 /min		
Lame	ABR2300		
Température d'utilisation recommandée	0 °C-40 °C		
Température de stockage recommandée	-20°C-70°C		
Température de recharge optimale	5°C-40°C		
Poids	1,9 kg		
Niveau de puissance acoustique mesuré L_{WA}	96,1 dB(A) K = 3,8 dB (A)		
Niveau de pression acoustique au niveau des oreilles de l'opérateur L_{PA}	83,2 dB(A) K = 2,5 dB(A)		
Niveau de puissance acoustique garanti L_{WA} (mesuré selon 2000/14/EC)	100 dB(A)		
Niveau de vibration a_h :	Machine	Avec STX3800	Avec BCX3800
	Poignée gauche	0,7 m/s ²	0,6 m/s ²
	Poignée droite	K = 1,5 m/s ²	K = 1,5 m/s ²

- La valeur totale des vibrations indiquée a été mesurée selon une procédure conforme à une méthode de test standardisée et peut servir pour comparer différents outils.
- La valeur totale des vibrations déclarée peut également servir pour effectuer une évaluation préliminaire de l'exposition.

REMARQUE: Le niveau de vibrations lors de l'utilisation réelle de l'outil peut être différent de la valeur déclarée totale en fonction de la manière dont l'outil est utilisé ; Afin de protéger l'opérateur, l'utilisateur doit porter des gants et des protecteurs d'oreilles en conditions réelles d'utilisation.

DESCRIPTION

DESCRIPTION DE VOTRE ROTOCUT (Fig. A)

1. Vis d'étanchéité
2. Boîtier d'engrenage
3. Lame
4. Protège-lame
5. Assemblage du carter
6. Clé
7. Clé Allen
8. Bague (à utiliser avec un tube de diamètre 25 mm)

CONTENU DE L'EMBALLAGE

NOM DES PIÈCES	QUANTITÉ
ROTOCUT	1
Assemblage du carter	1
Clé	1
Clé Allen	1
Bague	1
Manuel d'utilisation	1

ASSEMBLAGE

AVERTISSEMENT: Si une ou plusieurs pièces sont manquantes ou endommagées, n'utilisez pas cet outil tant que toutes les pièces n'ont pas été remplacées. Utiliser cet outil avec des pièces endommagées ou manquantes peut provoquer des blessures corporelles graves.

AVERTISSEMENT: N'essayez pas de modifier ce produit ni de créer des accessoires non recommandés pour l'usage avec cette machine. De tels modifications et changements constituent un usage impropre et peuvent engendrer des situations dangereuses pouvant provoquer des blessures corporelles graves.

AVERTISSEMENT: Pour éviter un démarrage accidentel pouvant provoquer des blessures corporelles graves, retirez toujours la batterie de l'outil avant d'assembler une pièce.

REPLACER LA TÊTE DE COUPE PAR UNE TÊTE ROTOCUT

1. Maintenez votre taille-bordures/débroussailluse et utilisez la clé six pans pour retirer le capot de protection, la tête de coupe et la boîte d'engrenages de l'arbre d'entraînement (Fig. B1-B3). L'arbre d'entraînement est ensuite utilisé pour l'assemblage du ROTOCUT.

- Retirez le ROTOCUT de son emballage, desserrez les deux vis 1# et maintenez-les sur la plaque de fixation, desserrez et retirez la vis 2# de la plaque de fixation. (Fig. B4)

B-1	Vis 1#	B-3	La plaque de fixation
B-2	Vis 2#		

- Insérez la tête du ROTOCUT sur l'arbre d'entraînement retiré à l'étape 1, veillez à ce que le trou de la vis B-2 est aligné avec le trou sur l'arbre d'entraînement (Fig. B5).
- Insérez la vis B-2 d'abord et serrez-la puis serrez les deux vis B-1 (Fig. B6).
- Retirez le capot ROTOCUT de son emballage et desserrez les deux boulons du capot. Retirez et conservez les deux boulons et rondelles élastiques du capot de protection (Fig. B7).
- Soulevez la tête ROTOCUT et positionnez-la face au sol. Alignez les deux trous d'assemblage du capot de protection avec les deux trous d'assemblage de la plaque de fixation ROTOCUT. Veillez à ce que le capot soit dans le même sens que sur l'image ci-dessous, la forme d'arc autour des dents de coupe. (Fig. B8).
- Utilisez la clé six pans pour verrouiller le capot.
- Retirez l'étui de la lame avant utilisation.

FUNCTIONNEMENT

⚠ AVERTISSEMENT: Veillez à ne pas devenir moins prudent(e) au fur et à mesure que vous vous familiarisez avec cet outil. Gardez à l'esprit qu'une fraction de seconde d'inattention peut suffire pour provoquer des blessures graves.

⚠ AVERTISSEMENT: Portez toujours une protection oculaire et une protection auditive. Sans protection, des objets peuvent être projetés dans vos yeux et d'autres blessures graves peuvent se produire.

⚠ AVERTISSEMENT: N'utilisez aucun accessoire ou pièce non recommandé par le fabricant de ce produit. L'utilisation d'accessoires ou de pièces non recommandés peut provoquer des blessures corporelles graves.

⚠ AVERTISSEMENT: Pour éviter des blessures corporelles graves, déconnectez la batterie de l'outil avant toute opération de réparation, nettoyage, changement d'accessoires ou de retrait de matières de l'outil.

Vous pouvez utiliser cet outil pour les usages listés ci-dessous :

Coupe: pour couper l'herbe autour de poteaux ou de rambardes, le long des murs, des bordures ou de barrières à côté de zones de circulation ou pour tailler la végétation sur les parkings.

REMARQUE: Lors de l'utilisation du ROTOCUT, veillez à ce qu'aucun corps étranger ne soit projeté, cela pourrait entraîner des risques graves : fenêtres brisées, carrosserie cabossée, clôture fendue, tronc d'arbre déchiré ou blessures corporelles.

CONNECTER/DECONNECTER L'ALIMENTATION PAR BATTERIE (Fig. C)

Rechargez complètement la batterie avant la première utilisation.

Alignez ▲ de la fiche avec ▲ de la machine. Insérez la fiche dans l'outil jusqu'à ce que le joint vert disparaisse complètement dans la prise.

Pour déconnecter l'alimentation, débranchez la batterie en la maintenant pour la tirer vers l'arrière.

ALLUMER/ÉTEINDRE L'OUTIL (POUR STX3800 & BCX3800)

Consultez la partie « ALLUMER/ETEINDRE LE TAILLE-BORDURES/LA DEBROUSSAILLEUSE » dans le mode d'emploi STX3800/BCX3800.

UTILISATION DE L'OUTIL

⚠ AVERTISSEMENT: Pour éviter des blessures corporelles graves, portez en permanence des lunettes de sécurité ou un masque pendant l'utilisation de cet outil. Portez un masque facial ou un masque à poussière dans les endroits poussiéreux.

Nettoyez la zone à couper avant chaque utilisation. Retirez tous les objets pouvant s'emmêler dans les accessoires de coupe ou être projetés, par exemple les pierres, les morceaux de verre, les clous, les fils métalliques, les ficelles. Veillez à ce qu'il n'y ait aucune autre personne, aucun enfant, ni aucun animal dans l'aire de travail. Veillez à ce que les enfants, les animaux ainsi que toute autre personne se tiennent toujours à au moins 15 m de l'outil en fonctionnement ; le risque de projection d'objets reste présent. Insistez à ce que les autres personnes présentes à proximité portent une protection oculaire. Si une personne s'approche de vous, éteignez immédiatement le moteur et l'accessoire de coupe.

Avant chaque utilisation, inspectez l'outil pour vérifier qu'aucune de ses pièces n'est endommagée/usée.

FR

Inspectez la tête ROTOCUT, le capot de protection et le guidon, et remplacez les pièces fissurées, voilées, tordues ou présentant une autre détérioration.

⚠ AVERTISSEMENT: Portez toujours des gants pour assembler le capot de protection ou entretenir la lame. Prenez garde à la lame et protégez votre main pour éviter de vous couper.

Après chaque utilisation, nettoyez l'outil.

⚠ ATTENTION: Si les ouïes de ventilation sont bouchées, cela empêchera l'air de circuler dans le boîtier du moteur, ce qui peut provoquer la surchauffe et la détérioration du moteur.

- Nettoyez l'outil exclusivement avec un chiffon humide et du savon doux. Veillez à ce qu'aucun liquide ne pénètre jamais dans l'outil. N'immergez jamais aucune partie de l'outil dans un liquide.
- Veillez à ce que les ouïes de ventilation du boîtier du moteur soient toujours exemptes de débris.

ENTRETIEN

⚠ AVERTISSEMENT: L'outil ne doit être réparé qu'avec des pièces de rechange identiques. Inspectez et entretenez l'outil régulièrement. Pour garantir la sécurité et la fiabilité, toutes les réparations doivent être effectuées par un réparateur qualifié.

⚠ AVERTISSEMENT: Les outils alimentés par batterie n'ont pas à être branchés dans une prise électrique, ils sont donc toujours prêts à fonctionner. Pour éviter des blessures corporelles graves, faites extrêmement attention lors de l'entretien et de la réparation de l'outil et lors du changement de l'accessoire de coupe ou d'autres accessoires.

⚠ AVERTISSEMENT: Pour éviter les blessures corporelles graves, retirez la batterie de l'outil avant de le réparer, de le nettoyer, de changer un accessoire ou d'enlever des matières de l'outil.

REPLACEMENT DE LA LAME ROTOCUT

⚠ AVERTISSEMENT: Si les lames se desserrent ou si elles sont très usées, remplacez-les immédiatement. N'utilisez jamais l'outil avec un accessoire de coupe desserré ou inefficace.

Description de la tête ROTOCUT à la Fig. D1.

D-1	Capuchon d'arbre	D-5	Rondelle
D-2	Lame supérieure	D-6	Bol glisseur
D-3	Lame inférieure	D-7	Écrou
D-4	Disque support de lame		

- Positionnez le boîtier d'engrenage de la tête ROTOCUT contre une surface solide. Serrez les lames inférieure et supérieure avec une pince ou dans un étau, puis utilisez la clé pour desserrer l'écrou (Fig. D2).
- Retirez l'écrou, le bol glisseur, la rondelle, le disque support de lame, la lame inférieure, la lame supérieure et le capuchon d'arbre l'un après l'autre comme montré à la Fig. D1.
- Avant de monter de nouvelles lames, placez le capuchon d'arbre sur l'arbre (Fig. D3). Placez la lame supérieure avec le grand trou hexagonal sur l'arbre avec le logo « EGO » orienté vers le boîtier d'engrenage (Fig. D4), puis placez la lame inférieure avec le petit trou hexagonal sur l'arbre avec le logo « EGO » orienté vers l'opérateur (Fig. D5).

REMARQUE: Veillez à ce que les trous hexagonaux sur les lames et l'épaulement hexagonal de l'arbre soient bien en place. Sinon, une fois les lames montées inversement, le ROTOCUT ne peut pas fonctionner correctement et endommagera les lames.

- Suivez les étapes indiquées à la Fig. D1 pour les réassembler.

LUBRIFIER LE BOITIER D'ENGRENAGE

Pour optimiser le fonctionnement et maximiser la durée d'utilisation, lubrifiez le boîtier d'engrenage avec une graisse spéciale (4-5 g à chaque fois) toutes les 50 heures d'utilisation.

La graisse spéciale doit satisfaire aux critères suivants.

- Appartenir à la classe DIN51818 : NLGI-1 de profondeur de pénétration d'un cône.
- Graisse à base d'ester.
- Avoir d'excellentes propriétés de démarrage à basse température, de stabilité oxydative, de résistance aux pressions extrêmes, au cisaillement mécanique et à l'abrasion.
- Avoir une température d'utilisation comprise entre -40 °C et 180 °C. Retirez la vis d'étanchéité. Remplissez la graisse dans le boîtier d'engrenage par le trou de graissage.

⚠ AVERTISSEMENT: Ne lubrifiez pas lorsque l'outil est encore connecté à la batterie ou en fonctionnement.

NETTOYER L'OUTIL

- Nettoyez l'outil avec un chiffon humide et un détergent doux.
- N'utilisez pas de détergent puissant sur le boîtier en plastique ou sur la poignée, car ils peuvent être endommagés par certaines huiles aromatiques, par exemple de pin et de citron, et par les solvants, par exemple l'essence. L'humidité peut également générer un risque de choc électrique. Essuyez les traces d'humidité avec un chiffon doux et sec.

RANGER L'OUTIL

- Déconnectez la batterie de l'outil quand vous ne l'utilisez pas.
- Nettoyez soigneusement et intégralement l'outil avant de le ranger.
- Rangez l'outil dans un endroit sec, bien aéré, fermé à clé ou en hauteur, et hors de portée des enfants. Ne rangez pas l'outil sur ou à côté d'engrais, d'essence ou d'autres substances chimiques.
- Placez les lames en métal dans un étui de protection lors du transport et du stockage.

Protection de l'environnement



DEEE (déchets d'équipements électriques et électroniques)

Ne jetez pas les équipements électriques, les batteries usées et les chargeurs avec les ordures ménagères ! Apportez ce produit chez un recycleur agréé et rendez-le disponible pour une collecte séparée. Les outils électriques doivent être amenés dans un centre de recyclage pour assurer un respect de l'environnement.

FR

DÉPANNAGE

FR

PROBLÈME	CAUSE	SOLUTION
ROTOCUT ne démarre pas	<ul style="list-style-type: none">■ La batterie n'est pas correctement raccordée au bloc-moteur.■ La batterie est déchargée.■ Le levier de déverrouillage et l'interrupteur-gâchette ne sont pas tous les deux appuyés.	<ul style="list-style-type: none">■ Raccordez la batterie au bloc-moteur.■ Rechargez la batterie avec un chargeur EGO listé dans ce manuel d'utilisation.■ Maintenez le levier de déverrouillage enfoncé, puis appuyez sur la gâchette pour allumer l'outil.
ROTOCUT s'arrête pendant la coupe.	<ul style="list-style-type: none">■ Le moteur est en surcharge.■ La batterie est trop chaude.■ La batterie est déconnectée de l'outil.	<ul style="list-style-type: none">■ Le moteur pourra redémarrer quand la charge aura été retirée. Lors d'un travail en continu, diminuez la charge exercée sur le ROTO CUT et évitez les coupes en profondeur, coupez plutôt progressivement de plus en plus profond.■ Laissez la batterie refroidir naturellement ou utiliser une soufflerie pour accélérer le refroidissement.■ Reconnectez la batterie.

GARANTIE

POLITIQUE DE GARANTIE EGO

Visitez le site Web egopowerplus.com pour consulter les conditions complètes de la politique de garantie EGO.

¡LEA TODAS LAS INSTRUCCIONES!



LEA EL MANUAL DEL USUARIO

⚠ ¡Riesgo residual! Las personas con implantes electrónicos, como marcapasos, deberán consultar a su médico antes de utilizar este producto. La utilización de equipos eléctricos en las proximidades inmediatas de un marcapasos podría causar en este interferencias o averías.

⚠ ADVERTENCIA: Para garantizar la seguridad y fiabilidad de la herramienta, las reparaciones y sustituciones debe realizarlas únicamente un técnico cualificado.

SÍMBOLO DE SEGURIDAD

El propósito de los símbolos de seguridad es atraer su atención hacia posibles peligros. Los símbolos de seguridad y las explicaciones que los acompañan requieren su máxima atención y comprensión. Por sí solos, los símbolos de advertencia no eliminan los posibles peligros. Las instrucciones y advertencias que proporcionan no sustituyen a las medidas adecuadas de prevención de accidentes.

⚠ ADVERTENCIA: Antes de utilizar esta herramienta, asegúrese de haber leído y entendido perfectamente todas las instrucciones incluidas en este Manual del usuario, incluidos todos los símbolos de aviso sobre seguridad, tales como “PELIGRO”, “ADVERTENCIA” y “PRECAUCIÓN”. Si no se observan todas las instrucciones que se indican a continuación existe riesgo de incendio, electrocución, así como de lesiones graves.

SIGNIFICADO DE LOS SÍMBOLOS

⚠ SÍMBOLO DE AVISO DE SEGURIDAD: Indica PELIGRO, ADVERTENCIA O PRECAUCIÓN, puede utilizarse de manera conjunta con otros símbolos o pictogramas.

⚠ ADVERTENCIA: Cuando se utilizan herramientas eléctricas, es posible que salgan despedidos objetos que podrían causar lesiones oculares graves. Antes de empezar a usar herramientas eléctricas, póngase siempre gafas de seguridad, gafas con cristales anti-impacto que cuenten con pantallas de protección lateral y una máscara facial completa. Recomendamos usar una máscara de seguridad de amplia visión que pueda utilizarse encima de gafas graduadas, o bien gafas normales de seguridad equipadas con pantallas laterales.

PRECAUCIONES DE SEGURIDAD

Esta página muestra y describe los símbolos de seguridad que puede haber en este producto. Asegúrese de leer, comprender y cumplir todas las instrucciones que se indican en la máquina antes de proceder a su montaje y utilización.

ES

	Aviso de seguridad	Precauciones relacionadas con su seguridad.
	Leer el Manual del usuario	Para reducir el riesgo de lesiones, el usuario debe leer y comprender el manual del usuario antes de utilizar este producto.
	Utilizar protección ocular	Utilice siempre gafas de seguridad, gafas con cristales anti-impacto que cuenten con pantallas de protección lateral, o bien una máscara facial que proteja completamente la cara.
	Utilizar protección auditiva	Lleve siempre protección auditiva cuando utilice este producto.
	Utilizar protección para la cabeza	Lleve puesto casco de seguridad para protegerse la cabeza.
	Utilizar guantes de protección	Utilice guantes para protegerse las manos cuando manipule cuchillas o el protector de las cuchillas.
	Utilizar calzado de seguridad	Lleve calzado de seguridad antideslizante siempre que utilice este equipo.
	Tener cuidado con el contragolpe de las cuchillas	Advierta al usuario del peligro de contragolpe de las cuchillas.
	Puede rebotar. Mantener a otras personas alejadas	Los objetos lanzados pueden rebotar y provocar lesiones personales o daños materiales. Asegúrese de que las personas y los animales domésticos se mantengan alejados de la desbrozadora cuando se esté usando.

	Mantener a otras personas apartadas de la zona donde se use la herramienta	Asegúrese de que las personas y los animales domésticos se mantengan a una distancia mínima de 15 m cuando se esté usando el cortabordes con cabezal de hilo.
	No usar cuchillas redondas	No instale cuchillas redondas.
	RAEE	Los productos eléctricos no deben eliminarse con la basura doméstica. Lívelos a un centro de reciclaje autorizado.
	Ruido	Nivel de potencia acústica garantizado. La emisión de ruido al medio ambiente cumple la directiva de la Comunidad Europea.
	CE	Este producto está en conformidad con las directivas de la CE aplicables.
V	Voltios	Tensión
n ₀	Velocidad sin carga	Velocidad de giro, sin carga
min ⁻¹	Por minuto	Revoluciones por minuto
	Corriente continua	Tipo o característica de la corriente
kg	Kilogramo	Peso

Mantenga los dispositivos de protección correctamente instalados y en buen estado.

- Mantenga las manos y los pies alejados de la zona de corte.
- Para reducir el riesgo de lesiones, nunca utilice la herramienta subido a una escalera ni ningún otro soporte inseguro. Nunca eleve el elemento de corte por encima de su cintura.
- Compruebe el elemento de corte a intervalos breves mientras utiliza la herramienta, o inmediatamente si observa cualquier cambio notable en la eficacia de corte.
- Para obtener los mejores resultados, cargue la batería en lugares donde la temperatura sea superior a 5 °C e inferior a 40 °C. No la guarde en exteriores ni en vehículos.
- Pare el motor y el elemento de corte si alguien se le acerca.
- Advierta al usuario del peligro de contragolpe de las cuchillas.
- Puede producirse contragolpe de las cuchillas cuando la cuchilla giratoria entra en contacto con un objeto que no corta inmediatamente.
- El contragolpe de las cuchillas puede ser lo bastante violento para provocar que el aparato y/o el usuario salgan impulsados en cualquier dirección, pudiendo perder el control de la herramienta.
- El contragolpe de las cuchillas se puede producir sin previo aviso si la cuchilla se queda trabada, se para o se engancha.
- Es más probable que se produzca contragolpe de las cuchillas en zonas en las que resulta difícil ver el material que se está cortando.
- No instale ninguna cuchilla a una unidad sin colocar correctamente todas las piezas necesarias. Si no se utilizan las piezas adecuadas, la cuchilla podría salir despedida y provocar lesiones graves al usuario o a otras personas. Deseche las cuchillas que estén dobladas, deformadas, agrietadas, rotas o dañadas de cualquier otro modo. Use cuchillas afiladas. Una cuchilla roma es más probable que se atasque o sufra contragolpe.
- Una cuchilla o hilo que se mueve en inercia puede provocar lesiones mientras sigue girando tras haber parado el motor o soltado el gatillo. Mantenga un control adecuado hasta que la cuchilla o el hilo haya dejado de girar completamente.
- Las herramientas que funcionan a batería no

PRECAUCIONES IMPORTANTES DE SEGURIDAD

⚠ ADVERTENCIA: Lea todas las advertencias, instrucciones, ilustraciones y especificaciones incluidas con esta herramienta eléctrica. Si no se cumplen todas las instrucciones que se enumeran a continuación, pueden producirse descargas eléctricas, incendios o lesiones graves.

Conserve todas las instrucciones y advertencias para poder consultarlas en el futuro.

- Evite los entornos peligrosos. No utilice aparatos en una pendiente mojada o húmeda.

requieren enchufarse en una toma de corriente. Por lo tanto, siempre están listas para funcionar. Tenga en cuenta los posibles peligros, incluso cuando la herramienta no está funcionando. Preste especial atención al efectuar reparaciones u operaciones de mantenimiento en la herramienta.

- **No limpie la herramienta utilizando una manguera. Evite que penetre agua en el motor y en las conexiones eléctricas.**
- **Si se produce alguna situación que no esté incluida en este manual, actúe con cuidado y sentido común. Póngase en contacto con el departamento de atención al cliente de EGO para solicitar ayuda.**

¡CONSERVE ESTAS INSTRUCCIONES!

ESPECIFICACIONES

Velocidad sin carga	Hasta 450/min		
Cuchilla de corte	ABR2300		
Temperatura de funcionamiento recomendada	0 °C - 40 °C		
Temperatura de almacenamiento recomendada	-20 °C - 70 °C		
Temperatura ambiente óptima de recarga	5 °C - 40 °C		
Peso	1,9 kg		
Nivel de potencia acústica medido L_{WA}	96,1 dB(A) K = 3,8 dB (A)		
Nivel de presión acústica medido a la altura del oído del usuario L_{PA}	83,2 dB(A) K = 2,5 dB(A)		
Nivel de potencia acústica garantizado L_{WA} (medido conforme a los requisitos de la Directiva 2000/14/CE)	100 dB(A)		
Evaluación de la vibración a_{h^*}	Máquina	Con STX3800	Con BCX3800
	Empuñadura izquierda	0,7 m/s ²	0,6 m/s ²
	Empuñadura derecha	K = 1,5 m/s ²	K = 1,5 m/s ²

- El valor de vibración total ha sido medido de acuerdo con el método de prueba estándar y se puede utilizar para comparar herramientas.

- El valor total de vibración declarado se puede usar además en una evaluación preliminar del grado de exposición.

AVISO: Las vibraciones generadas durante el uso real de la herramienta eléctrica pueden diferir del valor declarado en función de la manera en que se utilice. Como protección, el usuario debería utilizar guantes y protectores auditivos en condiciones reales de uso.

DESCRIPCIÓN

FAMILIARÍCESE CON EL ROTOCUT (Fig. A)

1. Tornillo de sellado
2. Caja de engranajes
3. Cuchilla
4. Funda de la cuchilla
5. Conjunto de protección
6. Llave de tuercas
7. Llave Allen
8. Cojinete (para usar con tubo de 25 mm de diámetro)

LISTA DEL CONTENIDO

NOMBRE DE LA PIEZA	CANTIDAD
ROTOCUT	1
Conjunto de protección	1
Llave de tuercas	1
Llave Allen	1
Cojinete	1
Manual del usuario	1

MONTAJE

⚠ ADVERTENCIA: Si alguna pieza falta o está rota, no utilice el producto hasta haber sustituido las piezas. Podrían producirse lesiones graves en caso de utilizar el producto si alguna de sus piezas falta o está dañada.

⚠ ADVERTENCIA: No intente modificar este producto ni fabricar accesorios no recomendados para su uso en esta máquina. Cualquier alteración o modificación se considerará uso indebido y podría provocar una situación peligrosa con riesgo de sufrir lesiones graves.

⚠ ADVERTENCIA: Para evitar una puesta en marcha accidental que podría causar lesiones graves, desenchufe siempre de la conexión el conector de la batería antes de montar piezas.

SUSTITUIR EL CABEZAL CORTABORDES POR EL CABEZAL ROTO CUT

ES

1. Sujete el cortabordes de hilo/desbrozadora y utilice la llave Allen para quitar la protección del cortabordes, el cabezal cortabordes y la caja de engranajes del eje motor (fig. B1-B3). El eje motor se utilizará después para el montaje del ROTO CUT.
2. Saque el ROTO CUT del embalaje, afloje los dos tornillos (1) y colóquelos sobre la placa de sujeción, afloje el tornillo (2) de la placa de sujeción y quítelo. (Fig. B4)

B-1	Tornillo (1)	B-3	Placa de sujeción
B-2	Tornillo (2)		

3. Inserte el cabezal ROTO CUT sobre el eje motor retirado en el paso 1, asegurándose de que el orificio del tornillo B-2 esté alineado con el orificio en el eje motor (fig. B5).
4. Inserte primero el tornillo de B-2 y apriételo. A continuación, apriete los dos tornillos de B-1 (fig. B6).
5. Saque del embalaje la protección del ROTO CUT y afloje los dos tornillos de la protección. Quite los dos tornillos y las arandelas elásticas de la protección (fig. B7) y guárdelos para usarlos después.
6. Levante el ROTO CUT y colóquelo orientado hacia abajo. A continuación, alinee los dos orificios de fijación de la protección con los dos orificios de montaje situados en la placa de sujeción del ROTO CUT. Asegúrese de que la protección esté en la dirección que se indica en la imagen de abajo: la forma arqueada alrededor de los dientes de corte. (Fig. B8).
7. Utilice la llave Allen para bloquear la protección en su lugar.
8. Durante el uso, quite la funda de la cuchilla.

FUNCIONAMIENTO

⚠ ADVERTENCIA: No permita que el hecho de estar familiarizado con el producto le haga descuidarse. Recuerde que cualquier distracción de una fracción de segundo es suficiente para provocar lesiones graves.

⚠ ADVERTENCIA: Utilice siempre gafas de seguridad, así como protección auditiva. De lo contrario, de la herramienta pueden salir objetos despedidos y alcanzar los ojos, provocando lesiones graves.

⚠ ADVERTENCIA: No utilice piezas o accesorios no recomendados por el fabricante de este producto. La utilización de piezas o accesorios no recomendados puede provocar lesiones graves.

⚠ ADVERTENCIA: Para evitar lesiones graves, desconecte la alimentación por batería de la herramienta antes de realizar cualquier reparación, limpieza, cambio de accesorios o de retirar acumulaciones de material.

Este producto puede utilizarse para los fines indicados a continuación:

Corte: se utiliza para cortar hierba alrededor de estacas o barandillas, bordes de paredes, bordillos de calles, vallas en el tráfico, o para recortar vegetación en aparcamientos.

AVISO: Cuando utilice el ROTO CUT, asegúrese de que no salgan despedidos objetos extraños que supongan riesgos importantes: rotura de ventanas, abolladura de carrocerías de coches, rotura de vallas, desgarramiento en la corteza de árboles o lesiones personales.

CONECTAR/DESCONECTAR LA ALIMENTACIÓN POR BATERÍA (Fig. C)

Cargue totalmente la batería antes de usarla por primera vez.

Alinee el símbolo ▲ del enchufe con el símbolo ▲ de la máquina. Inserte el enchufe en la herramienta hasta que la junta verde quede oculta totalmente en la conexión.

Para desconectar la alimentación por batería, desenchúfela sujetándola y tirando hacia atrás.

ARRANCAR/PARAR LA HERRAMIENTA (PARA STX3800 y BCX3800)

Consulte el apartado «ARRANCAR/PARAR EL CORTABORDES CON CABEZAL DE HILO/LA DESBROZADORA» en el manual del usuario del STX3800/BCX3800.

USO DE LA HERRAMIENTA

⚠ ADVERTENCIA: Para evitar lesiones graves, lleve gafas de seguridad siempre que utilice esta herramienta. Utilice una mascarilla de protección o antipolvo en entornos en los que se produzca polvo.

Antes de cada uso, despeje la zona de corte. Quite todos los objetos como piedras, vidrios rotos, clavos, alambres, cables o cuerdas, ya que podrían salir despedidos por la acción de la herramienta o enredarse en el elemento de corte.

Mantenga a los niños, las mascotas y otras personas fuera de la zona de trabajo. Mantenga a niños, mascotas y otras personas a una distancia mínima de 15 m; existe riesgo de que salgan objetos despedidos. Se recomienda que cualquier persona presente en la zona de trabajo utilice protección ocular. Apague inmediatamente el motor o desactive el dispositivo de corte si se acerca alguna persona.

Antes de cada utilización, examine la herramienta por si hubiera piezas dañadas o desgastadas.

Examine el cabezal ROTOCUT, la protección y la empuñadura con bucle. Sustituya cualquier pieza que esté agrietada, deformada, doblada o presente cualquier tipo de daño.

⚠ ADVERTENCIA: Lleve siempre guantes para montar la protección o reparar la cuchilla. Tenga cuidado con la cuchilla y protéjase las manos para evitar cortarse.

Limpie la herramienta después de cada uso.

⚠ PRECAUCIÓN: Cualquier obstrucción de los orificios de ventilación impedirá la correcta circulación de aire por el interior de la carcasa del motor, pudiendo hacer que este se sobrecaliente o sufra daños.

- Use solo jabón suave y un paño húmedo para limpiar la herramienta. No deje nunca que entre líquido en la herramienta ni sumerja ninguna parte de la herramienta en ningún líquido.
- Mantenga en todo momento los orificios de ventilación de la carcasa del motor libres de residuos.

MANTENIMIENTO

⚠ ADVERTENCIA: Cuando repare la herramienta, utilice solo piezas idénticas a las originales. Examine la herramienta regularmente y lleve a cabo las operaciones de mantenimiento. Para garantizar la seguridad y fiabilidad de la herramienta, las reparaciones debe realizarlas únicamente un técnico cualificado.

⚠ ADVERTENCIA: Las herramientas que funcionan a batería no requieren enchufarse en una toma de corriente. Por lo tanto, siempre están listas para funcionar. Para evitar lesiones graves, extreme las precauciones y proceda con cuidado al efectuar tareas de mantenimiento, reparación o sustitución del elemento de corte o de otros accesorios.

⚠ ADVERTENCIA: Para evitar lesiones graves, quite la batería de la herramienta antes de efectuar cualquier reparación, limpieza, sustitución de accesorios adicionales o retirar acumulaciones de material cortado.

SUSTITUCIÓN DE LAS CUCHILLAS DEL ROTOCUT

⚠ ADVERTENCIA: Si las cuchillas se sueltan después de haberlas sujetado en su posición, o si están muy desgastadas, cámbielas inmediatamente. Nunca utilice una herramienta con un accesorio de corte suelto o ineficaz.

Familiarícese con el cabezal ROTOCUT consultando la fig. D1.

D-1	Copa del eje	D-5	Arandela
D-2	Cuchilla superior	D-6	Plato de deslizamiento
D-3	Cuchilla inferior	D-7	Tuerca
D-4	Copa de soporte		

ES

1. Coloque la caja de engranajes del ROTOCUT contra una superficie sólida. Sujete las cuchillas superior e inferior con alicates o en un tornillo de banco, y utilice la llave de tuercas para soltar la tuerca (fig. D2).
2. Quite la tuerca, el plato de deslizamiento, la arandela, la copa de soporte, la cuchilla inferior, la cuchilla superior y la copa del eje en el orden que se indica en la fig. D1.
3. Antes de instalar cuchillas nuevas, ponga la copa del eje sobre el eje (fig. D3). Coloque la cuchilla superior con el orificio hexagonal grande sobre el eje, con la superficie que lleva la impresión «EGO» mirando hacia la caja de engranajes (fig. D4) y, a continuación, ponga la cuchilla inferior con el orificio hexagonal pequeño sobre el eje con la superficie que lleva la impresión del logotipo «EGO» indicando hacia el usuario (fig. D5).

AVISO: Asegúrese de que los orificios hexagonales de las cuchillas y la parte hexagonal del eje encajen en su lugar. De lo contrario, si las cuchillas se montan invertidas, el ROTOCUT no funcionará correctamente y se dañarán las cuchillas.

4. Siga el orden indicado en la fig. D1 para volver a montarlas.

LUBRICACIÓN DE LA CAJA DE ENGRANAJES

Para obtener un funcionamiento óptimo y una vida útil más larga de la herramienta, lubrique la caja de engranajes con una grasa especial (4-5 g cada vez) cada 50 horas de funcionamiento.

La grasa especial debe cumplir los siguientes requisitos:

1. Estar incluida en DIN51818: NLGI-1 grado de penetración de cono.
2. Grasa con base de éster.
3. Excelente arranque a baja temperatura, EP, cizallamiento mecánico, resistencia a la abrasión propiedades de estabilidad oxidativa.
4. La temperatura de funcionamiento debe incluir -40~180°C. Quite el tornillo de sellado. Ponga grasa en la caja de engranajes a través del orificio para aceite.

⚠ ADVERTENCIA: No lubrique mientras la herramienta esté todavía conectado a la batería o en marcha.

LIMPIEZA DE LA UNIDAD

- Limpie la herramienta utilizando un paño húmedo y detergente suave.
- No utilice detergentes fuertes en la carcasa de plástico o la empuñadura. Algunos aceites aromáticos, como aquellos a base de limón o pino, y disolventes como el queroseno, podrían dañar estas piezas. La humedad también puede provocar descargas eléctricas. Utilice un paño suave y seco para eliminar cualquier resto de humedad.

ALMACENAMIENTO DE LA HERRAMIENTA

- Desconecte la batería de la herramienta cuando no la utilice.
- Limpie a fondo la herramienta antes de guardarla.
- Almacene la herramienta en un lugar seco y bien ventilado, ya sea cerrado o a una altura suficiente que impida que los niños puedan alcanzarla. No la guarde encima ni cerca de fertilizantes, gasolina u otros productos químicos.
- Use una cubierta de transporte para las cuchillas de metal durante el transporte y almacenamiento.

Protección del medio ambiente



RAEE (Residuos de Aparatos Eléctricos y Electrónicos)

¡No elimine aparatos eléctricos, baterías usadas ni cargadores de baterías junto con los desperdicios domésticos! Lleve este producto a un punto de reciclaje autorizado y deposítelo por separado según corresponda. Las herramientas eléctricas se deben llevar a un punto de reciclaje con fin de proteger el medio ambiente.

SOLUCIÓN DE PROBLEMAS

PROBLEMA	CAUSA	SOLUCIÓN
El ROTOCUT no arranca.	<ul style="list-style-type: none"> ■ La batería no está conectada correctamente al conjunto del motor. ■ La batería está agotada. ■ No ha presionado simultáneamente la palanca de desbloqueo y el gatillo interruptor. 	<ul style="list-style-type: none"> ■ Conecte la batería al conjunto del motor. ■ Cargue la batería con un cargador EGO indicado en este manual. ■ Mantenga presionada la palanca de desbloqueo y apriete el gatillo interruptor para poner en marcha el aparato.
El ROTOCUT se para cuando está cortando.	<ul style="list-style-type: none"> ■ El motor se ha sobrecargado. ■ La batería se ha sobrecalentado. ■ La batería está desconectada de la herramienta. 	<ul style="list-style-type: none"> ■ El motor se recuperará cuando se retire la carga. Para un uso continuado, reduzca la carga en el ROTOCUT y evite cortar en profundidad; en lugar de ello, realice progresivamente cortes más profundos. ■ Deje que la batería se enfríe de forma natural, o sople con aire para que se enfríe más deprisa. ■ Vuelva a conectar la batería.

ES

GARANTÍA

POLÍTICA DE GARANTÍA DE EGO

Visite la página web egopowerplus.com para conocer los términos y condiciones completos de la política de garantía de EGO.

LEIA TODAS AS INSTRUÇÕES!



LEIA O MANUAL DE INSTRUÇÕES

PT

⚠ Risco residual! As pessoas com dispositivos eletrônicos, como pacemakers, deverão consultar o seu médico antes de utilizarem este produto. A utilização de equipamento elétrico perto de um pacemaker pode causar interferências ou falhas no pacemaker.

⚠ AVISO: Para assegurar a segurança e bom funcionamento, todas as reparações e substituições deverão ser efetuadas por um técnico de reparação qualificado.

SÍMBOLO DE SEGURANÇA

O objetivo dos símbolos de segurança é chamar a atenção para possíveis perigos. Os símbolos de segurança e as respectivas explicações apresentadas requerem a sua atenção e compreensão. Os avisos de segurança, só por si, não eliminam o perigo. As instruções e avisos dados não são substitutos para medidas de prevenção adequadas a acidentes.

⚠ AVISO: Certifique-se de que lê e compreende todos os avisos de segurança neste manual do utilizador, incluindo todos os símbolos de alerta de segurança, como “PERIGO”, “AVISO” e “CUIDADO” antes de usar esta ferramenta. O não cumprimento de todas as instruções apresentadas abaixo pode resultar em choque elétrico, incêndio e/ou lesões pessoais graves.

SIGNIFICADO DOS SÍMBOLOS

⚠ SÍMBOLO DE ALERTA DE SEGURANÇA:

Indica **PERIGO**, **AVISO** ou **CUIDADO** e pode ser usado juntamente com outros símbolos ou imagens.

⚠ AVISO: O funcionamento de qualquer ferramenta elétrica pode dar origem ao ressaltado de quaisquer objetos estranhos que podem atingir os olhos, podendo dar origem a sérias lesões oculares. Antes de começar a utilizar a ferramenta elétrica, utilize sempre óculos de segurança com proteções laterais e uma proteção completa para o rosto, quando necessário. Recomendamos a utilização de máscaras de segurança com visão panorâmica por cima dos óculos ou óculos de segurança padrão com proteção lateral.

INSTRUÇÕES DE SEGURANÇA

Esta página retrata e descreve os símbolos de segurança que podem aparecer neste produto. Leia, compreenda e siga todas as instruções na máquina antes de tentar montar e utilizar.

	Alerta de segurança	Precauções que envolvam a sua segurança.
	Leia o manual do utilizador	Para reduzir o risco de lesões, o utilizador tem de ler e compreender o manual do utilizador antes de utilizar este produto.
	Utilize proteção ocular.	Utilize sempre óculos de segurança com proteção lateral e, se necessário, uma proteção completa do rosto, quando utilizar este produto.
	Utilize proteção auditiva.	Utilize sempre proteção auditiva ao utilizar este produto.
	Utilize proteção para a cabeça.	Use um chapéu de proteção aprovado para proteger a cabeça.
	Utilize luvas de proteção.	Proteja as suas mãos com luvas quando manusear a lâmina ou a proteção da lâmina.
	Utilize calçado de segurança.	Use calçado de segurança anti-derrapante quando usar este equipamento.
	Cuidado com o impulso da lâmina.	Avise o operador do perigo de impulso da lâmina.
	Ricochete e Manter terceiros afastados	Objetos podem ressaltar e causar lesões pessoais ou danos materiais. Certifique-se de que outras pessoas e animais permanecem afastados da moto-roçadora durante a utilização.
	Mantenha terceiros afastados.	Certifique-se de que outras pessoas e animais permanecem a, pelo menos, 15 metros da roçadora durante a utilização.

	Sem lâmina redonda	Não instale lâminas de corte redondas.
	REEE	Os resíduos elétricos não deverão ser eliminados juntamente com o lixo doméstico comum. Entregue-os num centro de reciclagem autorizado.
	Ruído	Nível de potência do som garantido. Emissão de ruído para o ambiente de acordo com a diretiva da Comunidade Europeia.
	CE	Este produto encontra-se em conformidade com as diretivas CE aplicáveis.
V	Volts	Voltagem
n_0	Velocidade sem carga	Velocidade de rotação, sem carga
min^{-1}	Por minuto	Rotações por minuto
	Corrente direta	Tipo ou característica da corrente
kg	Quilograma	Peso

INSTRUÇÕES DE SEGURANÇA IMPORTANTES

⚠ AVISO: Leia todos os avisos de segurança, instruções, ilustrações e especificações fornecidas com esta ferramenta elétrica. Não seguir todas as instruções apresentadas abaixo pode resultar em choque elétrico, incêndio e/ou lesões graves.

Guarde todos os avisos e instruções para futuras referências.

- Evite ambientes perigosos – Não use aparelhos em locais húmidos ou em encostas.
- Mantenha as proteções no lugar e em bom estado de funcionamento.
- Mantenha as mãos e pés afastados da área de corte.
- Para reduzir o risco de lesões, nunca trabalhe em cima de uma escada ou noutro suporte inseguro. Nunca segure o acessório de corte acima da altura da cintura.
- Verifique regularmente o acessório de corte durante a utilização ou imediatamente após reparar alguma alteração no comportamento de corte.
- Para melhores resultados, a sua bateria deverá ser carregada num local onde a temperatura seja superior a 5 °C e inferior a 40 °C. Não guarde no exterior nem dentro de veículos.
- Se alguém se aproximar, desligue o motor e o acessório de corte.
- Avise o operador do perigo de impulso da lâmina.
- O impulso da lâmina pode ocorrer quando a lâmina giratória entrar em contacto com um objeto que não corte imediatamente.
- O impulso da lâmina pode ser suficientemente violento para fazer com que a unidade e/ou operador seja ressaltado em qualquer direção e possivelmente perca o controlo da unidade.
- O impulso da lâmina pode ocorrer sem aviso, caso a lâmina bata, fique presa ou limitada.
- O impulso é mais provável em áreas onde seja difícil ver o material a ser cortado.
- Não fixe qualquer lâmina numa unidade sem a instalação adequada de todas as peças necessárias. Não usar as peças adequadas pode fazer com que a lâmina se solte e lesione seriamente o operador e/ou outras pessoas. Elimine as lâminas dobradas, torcidas, rachadas, partidas ou danificadas de algum modo. Use uma lâmina afiada. Uma lâmina que não esteja afiada pode prender e sofrer um ressalto.
- Uma lâmina/fio solto pode causar lesões enquanto continua a girar após o motor parar ou libertar o gatilho. Mantenha o controlo adequado até que a lâmina/fio pare de rodar por completo.
- As ferramentas que funcionam a bateria não têm de ser ligadas a uma tomada elétrica; assim, estão sempre em estado de funcionamento. Tenha cuidado com possíveis perigos quando o aparelho não estiver a funcionar. Tenha cuidado quando efetuar a manutenção ou reparações.
- Não lave com uma mangueira. Evite que entre água no motor e nas ligações elétricas.
- Se ocorrerem situações que não sejam abrangidas por este manual, tenha cuidado e faça uso do bom senso. Contacte o centro de reparação da EGO para obter assistência.

GUARDE ESTAS INSTRUÇÕES!

CARACTERÍSTICAS TÉCNICAS

Velocidade sem carga	Até 450/min		
Lâmina de corte	ABR2300		
Temperatura de funcionamento recomendada	0 °C a 40 °C		
Temperatura de armazenamento recomendada	-20 °C a 70 °C		
Temperatura de carregamento ótima	5 °C a 40 °C		
Peso	1,9 kg		
Nível de potência do som medido L_{WA}	96,1 dB(A) K = 3,8 dB (A)		
Nível da pressão do som no ouvido do operador L_{PA}	83,2 dB(A) K = 2,5 dB(A)		
Nível de potência do som garantido L_{WA} (medido de acordo com a norma 2000/14/CE)	100 dB(A)		
Avaliação da vibração $a_{i,v}$:	Máquina	Com STX3800	Com BCX3800
	Pega esquerda	0,7 m/s ² K = 1,5 m/s ²	0,6 m/s ² K = 1,5 m/s ²
	Pega direita		

AVISO: A emissão de vibrações durante a utilização da ferramenta elétrica pode diferir do valor declarado em que a ferramenta é usada. De modo a proteger o utilizador, este deverá usar luvas e proteção auditiva nas condições atuais de utilização.

DESCRIÇÃO

CONHEÇA O SEU PRODUTO DE CORTE ROTATIVO (Imagem A)

1. Parafuso vedante
2. Caixa do carroto
3. Lâmina
4. Cobertura da lâmina
5. Conjunto da proteção
6. Chave
7. Chave sextavada
8. Casquilho (para usar com o tubo com 25 mm de diâmetro)

LISTA DE PEÇAS

NOME DA PEÇA	QUANTIDADE
CORTE ROTATIVO	1
Conjunto da proteção	1
Chave	1
Chave sextavada	1
Casquilho	1
Manual do utilizador	1

MONTAGEM

AVISO: Se quaisquer peças estiverem danificadas ou em falta não utilize este produto até as peças serem substituídas. Utilizar este produto com peças danificadas ou em falta pode dar origem a lesões pessoais sérias.

AVISO: Não tente modificar este produto nem criar acessórios que não sejam recomendados para utilizar com esta máquina. Qualquer alteração ou modificação é considerada uma má utilização e pode dar origem a perigos, que podem levar a possíveis lesões pessoais sérias.

AVISO: Para evitar um arranque acidental que possa causar lesões pessoais sérias, retire sempre a bateria do conector da tomada durante a montagem das peças.

SUBSTITUIR A CABEÇA DA ROÇADORA COM CABEÇA DE CORTE ROTATIVO

1. Segure a sua roçadora/moto-roçadora e use a chave sextavada para retirar a proteção de corte, cabeça de corte e caixa do carroto do eixo condutor (Imagem B1-B3). O eixo condutor será usado para montar posteriormente o PRODUTO DE CORTE ROTATIVO.
2. Retire o PRODUTO DE CORTE ROTATIVO da embalagem, desaperte os dois parafusos 1# e mantenha-os na placa de fixação, desaperte e retire o parafuso 2# da placa de fixação. (Imagem B4)

B-1	Parafuso 1#	B-3	Placa de fixação
B-2	Parafuso 2#		

3. Insira a cabeça do PRODUTO DE CORTE ROTATIVO no eixo condutor retirado no passo 1. Certifique-se de que o orifício do parafuso B-2 fica alinhado com o orifício no eixo condutor (Imagem B5).
4. Insira primeiro o parafuso B-2 e aperte, depois aperte os dois parafusos B-1 (Imagem B6).

5. Retire a proteção do PRODUTO DE CORTE ROTATIVO da embalagem e desaperte os dois parafusos na proteção. Retire e guarde os dois parafusos e as anilhas de mola da proteção (Imagem B7).
6. Levante a cabeça do PRODUTO DE CORTE ROTATIVO e vire-a para baixo. Alinhe os dois orifícios de fixação na proteção com os dois orifícios de montagem na placa de fixação do PRODUTO DE CORTE ROTATIVO. Certifique-se de que a direção da proteção fica conforme a imagem apresentada abaixo, com a forma em arco em redor dos dentes de corte. (Imagem B8).
7. Use a chave sextavada para fixar a proteção no devido lugar.
8. Retire a cobertura da lâmina durante a operação.

FUNCIONAMENTO

⚠ AVISO: Não deixe que a sua familiaridade com o produto o torne descuidado. Lembre-se, uma fração de segundo de desatenção é suficiente para infligir ferimentos graves.

⚠ AVISO: Utilize sempre proteção ocular, juntamente com proteção auditiva. Se não o fizer, pode apanhar com objetos nos olhos, dando origem a possíveis lesões sérias.

⚠ AVISO: Não utilize quaisquer ligações ou acessórios não recomendados pelo fabricante deste produto. O uso de ligações ou acessórios não recomendados pode resultar em ferimentos pessoais graves.

⚠ AVISO: Para evitar lesões pessoais sérias, retire a bateria da ferramenta antes da reparação, limpeza, mudança de acessórios ou remoção de material da unidade.

Pode utilizar este produto para os objetivos abaixo listados:

Cortar: Usado para cortar a erva em redor de estacas ou barreiras de proteção, paredes, lancis, vedações, ou para aparar a vegetação em parques de estacionamento.

AVISO: Quando usar o PRODUTO DE CORTE ROTATIVO, certifique-se de que não são atirados objetos estranhos, pois isso pode dar origem a grandes riscos: Janelas partidas, amolgadelas nos carros, vedações dobradas, ramos de árvores partidos ou lesões pessoais.

LIGAR/DESLIGAR A BATERIA (Imagem C)

Carregue por completo antes da primeira utilização.

Alinhe **▲** da ficha com **▲** da máquina. Insira a ficha na ferramenta até que o vedante verde desapareça por completo na tomada.

Para desligar a bateria, basta retirar a ficha, segurando e puxando para trás.

LIGAR/DESLIGAR A FERRAMENTA (PARA STX3800 E BCX3800)

Consulte a secção “LIGAR/DESLIGAR A ROÇADORA/MOTO-ROÇADORA” no manual de utilização de STX3800/BCX3800.

USAR A FERRAMENTA

⚠ AVISO: Para evitar lesões pessoais sérias, utilize sempre óculos de segurança quando utilizar este aparelho. Utilize uma máscara para o rosto ou máscara do pó em locais poeirentos.

Limpe a área a cortar antes de cada utilização. Retire todos os objetos, como pedras, vidro partido, pregos, arames ou fios que possam ser atirados ou ficar presos no acessório de corte. Afaste as crianças, terceiros e animais. No mínimo, mantenha as crianças, terceiros e animais a um raio de 15 metros. Poderá continuar a haver um risco para as pessoas devido aos objetos que possam ser atirados. As outras pessoas deverão ser encorajadas a usar proteção ocular. Se alguém se aproximar, desligue imediatamente o motor e o acessório de corte.

Antes de cada utilização, verifique se existem peças gastas/danificadas.

Verifique a cabeça do PRODUTO DE CORTE ROTATIVO, proteção e pega em arco, e substitua as peças rachadas, torcidas, dobradas ou danificadas de algum modo.

⚠ AVISO: Utilize sempre luvas quando montar a proteção ou reparar a lâmina. Tenha cuidado com a lâmina e proteja a sua mão contra cortes.

Após cada utilização, limpe a ferramenta.

⚠ CUIDADO: As obstruções nas aberturas de ventilação impedem que o ar flua para a estrutura do motor, dando origem a um sobreaquecimento ou danos no motor.

- Utilize apenas detergente neutro e um pano humedecido para limpar a ferramenta. Nunca permita que entrem líquidos no aparelho e nunca coloque qualquer parte da ferramenta dentro de qualquer líquido.
- Mantenha sempre as aberturas de ventilação da estrutura do motor sem lixo.

MANUTENÇÃO

⚠ AVISO: Quando fizer reparações, utilize apenas peças de substituição idênticas. Inspeccione e efetue a manutenção da ferramenta com regularidade. Para assegurar a segurança e bom funcionamento, todas as reparações deverão ser efetuadas por um técnico de reparação qualificado.

⚠️ AVISO: As ferramentas que funcionam a bateria não têm de ser ligadas a uma tomada elétrica; assim, estão sempre em estado de funcionamento. Para evitar lesões pessoais sérias, tenha muito cuidado quando efetuar a manutenção, reparação ou mudança do acessório de corte ou de outros acessórios.

⚠️ AVISO: Para evitar lesões pessoais sérias, retire a bateria da ferramenta elétrica antes da reparação, limpeza, mudança de acessórios ou remoção de material da unidade.

SUBSTITUIÇÃO DA LÂMINA DO PRODUTO DE CORTE ROTATIVO

⚠️ AVISO: Se a lâmina ficar solta após ser fixada na respetiva posição, ou se as lâminas estiverem muito gastas, substitua as lâminas imediatamente. Nunca utilize uma ferramenta com um acessório de corte solto ou ineficaz.

Conheça a cabeça do PRODUTO DE CORTE ROTATIVO, conforme apresentado na Imagem D1.

D-1	Copa do eixo	D-5	Anilha
D-2	Lâmina superior	D-6	Lâmina deslizante
D-3	Lâmina inferior	D-7	Porca
D-4	Copa de suporte		

1. Coloque a estrutura do carreto da cabeça do PRODUTO DE CORTE ROTATIVO contra uma superfície sólida. Fixe as lâminas superior e inferior com um alicate ou num torno, depois use a chave para libertar a porca (Imagem D2).
2. Retire a porca, lâmina deslizante, anilha, copa de suporte, lâmina inferior, lâmina superior e copa do eixo em sequência, conforme apresentado na Imagem D1.
3. Antes de instalar lâminas novas, coloque a copa do eixo no eixo (Imagem D3). Coloque a lâmina superior com o orifício sextavado no eixo com a superfície com a impressão "EGO" virada para a estrutura do carreto (Imagem D4), depois coloque a lâmina inferior com o pequeno orifício sextavado no eixo com a superfície com a impressão "EGO" virada para o operador (Imagem D5).

AVISO: Certifique-se de que os orifícios sextavados nas lâminas e dobra do eixo sextavado encaixam no respetivo lugar. Caso contrário, as lâminas são montadas na ordem inversa e o PRODUTO DE CORTE ROTATIVO não pode funcionar corretamente, danificando as lâminas.

4. Siga a sequência apresentada na Imagem D1 para voltar a montar.

LUBRIFIQUE A ESTRUTURA DO CARRETO

Para um melhor funcionamento e maior tempo de vida útil, lubrifique a estrutura do carreto com um lubrificante especial (4 a 5 g de cada vez) a cada 50 horas de funcionamento.

O lubrificante especial deverá ir ao encontro dos seguintes requisitos.

1. Pertence ao grau de penetração cônica DIN51818: NLGI-1.
2. Lubrificante à base de éster.
3. Excelente arranque a baixas temperaturas, EP, corte mecânico, propriedades de resistência à abrasão e estabilidade oxidativa.
4. A temperatura de funcionamento tem de se encontrar entre os -40 °C e os 180 °C. Retire o parafuso vedante. Encha a estrutura do carreto com lubrificante através do orifício do óleo.

⚠️ AVISO: Não lubrifique enquanto a ferramenta estiver ligada à bateria ou a funcionar.

LIMPEZA DA UNIDADE

- Limpe a unidade usando um pano humedecido com detergente suave.
- Não utilize detergentes fortes na estrutura de plástico ou na pega. Estes podem ser danificados por determinados óleos aromáticos, como pinho e limão e por solventes como querosene. A humidade também pode causar um perigo de choque. Retire qualquer vestígio de humidade com um pano macio e seco.

GUARDAR A UNIDADE

- Retire a bateria da ferramenta quando não a utilizar.
- Limpe bem a ferramenta antes de a guardar.
- Guarde a unidade num local seco, bem ventilado, trancado ou elevado, fora do alcance das crianças. Não armazene a unidade em cima ou perto de fertilizantes, gasolina ou outros químicos.
- Use uma cobertura de transporte para as lâminas de metal durante o transporte e armazenamento.

Proteja o ambiente



REEE (Resíduos de Equipamento Elétrico e Eletrónico)

Não elimine equipamento elétrico, bateria gasta nem carregador juntamente com o lixo doméstico comum! Leve este produto a um centro de reciclagem autorizado para que possa haver uma separação das peças. As ferramentas elétricas têm de ser devolvidas em instalações de reciclagem ambientalmente compatíveis.

RESOLUÇÃO DE PROBLEMAS

PROBLEMA	CAUSA	SOLUÇÃO
O PRODUTO DE CORTE ROTATIVO não arranca.	<ul style="list-style-type: none">■ A bateria não foi ligada corretamente na cabeça motora.■ A bateria está gasta.■ A alavanca de bloqueio e o gatilho não foram premidos em simultâneo.	<ul style="list-style-type: none">■ Fixe a bateria na cabeça motora.■ Carregue a bateria com um carregador EGO listado neste manual.■ Prima a alavanca de desbloqueio e mantenha premida, depois prima o gatilho para ligar a unidade.
O PRODUTO DE CORTE ROTATIVO pára durante o corte.	<ul style="list-style-type: none">■ O motor está sobrecarregado.■ A bateria está demasiado quente.■ A bateria foi retirada da ferramenta.	<ul style="list-style-type: none">■ O motor recupera quando a carga for retirada. Para um trabalho contínuo, diminua a carga no PRODUTO DE CORTE ROTATIVO e evite cortes profundos. Em vez disso, faça cortes progressivamente mais fundos.■ Permita que a bateria arrefeça naturalmente. Ou use ar comprimido para despachar o arrefecimento.■ Volte a ligar a bateria.

PT

GARANTIA

POLÍTICA DE GARANTIA EGO

Visite o website egopowerplus.com para os termos e condições completos da política de garantia da EGO.

LEGGERE TUTTE LE ISTRUZIONI!



LEGGERE IL MANUALE DI ISTRUZIONI

⚠️ Rischi residui! Le persone portatrici di dispositivi elettronici, ad esempio pacemaker, devono consultare il proprio medico prima di usare questo prodotto. L'uso di apparecchi elettrici in prossimità di pacemaker cardiaci comporta il rischio di interferenze o malfunzionamento del pacemaker.

⚠️ AVVERTENZA! Per garantire sicurezza e affidabilità, tutte le riparazioni e sostituzioni devono essere eseguite da un tecnico qualificato.

SIMBOLI DI SICUREZZA

Lo scopo dei simboli di sicurezza è attirare l'attenzione dell'operatore su possibili pericoli. I simboli di sicurezza e le relative spiegazioni richiedono la massima attenzione e comprensione da parte dell'operatore. Le avvertenze espresse dai simboli, da sole, non eliminano tutti i rischi. Le istruzioni e le avvertenze non sostituiscono le adeguate misure di prevenzione contro gli incidenti.

⚠️ AVVERTENZA! Accertarsi di aver letto e compreso tutte le istruzioni di sicurezza in questo manuale, inclusi tutti i simboli di avvertenza come "PERICOLO", "AVVERTENZA" e "ATTENZIONE", prima di usare questo apparecchio. Il mancato rispetto di tutte le istruzioni elencate di seguito comporta il rischio di scossa elettrica, incendio e/o lesioni gravi.

SIGNIFICATO DEI SIMBOLI

⚠️ SIMBOLO DI AVVERTENZA: indica PERICOLO, AVVERTENZA o ATTENZIONE; può essere usato in combinazione con altri simboli o icone.

⚠️ AVVERTENZA! L'uso di apparecchi elettrici può causare il lancio di oggetti estranei verso l'operatore, con il rischio di lesioni gravi agli occhi. Durante l'uso dell'apparecchio, indossare sempre occhiali protettivi o occhiali di sicurezza con protezioni laterali e, se necessario, una maschera facciale. Si consiglia di indossare una maschera di sicurezza con ampio campo visivo sopra gli occhiali o occhiali di sicurezza standard con protezioni laterali.

AVVERTENZE DI SICUREZZA

Questa pagina illustra e descrive i simboli di sicurezza che possono comparire sul prodotto. Leggere, comprendere e seguire tutte le istruzioni sull'apparecchio prima di tentare di assemblarlo e ripararlo.

	Avvertenza di sicurezza	Precauzioni relative alla sicurezza dell'operatore.
	Leggere il manuale di istruzioni	Per ridurre il rischio di infortunio, l'utente deve leggere e comprendere tutte le istruzioni prima di usare questo prodotto.
	Indossare protezioni per gli occhi	Durante l'uso del prodotto, indossare sempre occhiali protettivi o occhiali di sicurezza con protezioni laterali e una maschera facciale.
	Indossare protezioni per le orecchie	Durante l'uso del prodotto, indossare sempre protezioni per le orecchie.
	Indossare protezioni per la testa	Indossare un casco di sicurezza omologato per proteggere la testa.
	Indossare guanti di sicurezza	Proteggere le mani con i guanti durante la manipolazione della lama o della cuffia di protezione.
	Indossare calzature di sicurezza	Indossare calzature di sicurezza antiscivolo durante l'uso di questo apparecchio.
	Fare attenzione al rischio di contraccolpo	Avverte l'operatore del pericolo di contraccolpo della lama.
	Rimbalzo - Tenere lontane le altre persone	Gli oggetti lanciati possono rimbalzare e causare danni o lesioni. Assicurarsi che eventuali altre persone e animali rimangano a distanza dall'apparecchio quando è in funzione.
	Tenere lontane le altre persone	Assicurarsi che eventuali altre persone e animali rimangano ad almeno 15 m di distanza dall'apparecchio quando è in funzione.

	Non usare lame rotonde	Non installare lame rotonde.
	RAEE	I prodotti elettrici non devono essere smaltiti insieme ai rifiuti domestici. Portarli presso un centro di riciclaggio autorizzato.
	Rumorosità	Livello di potenza sonora garantito. Emissione di rumore nell'ambiente conforme alla direttiva dell'Unione europea.
	CE	Questo prodotto è conforme alle direttive europee applicabili.
V	Volt	Tensione
n_0	Velocità a vuoto	Velocità di rotazione, senza carico
min ⁻¹	Al minuto	Rotazioni al minuto
	Corrente continua	Tipo o caratteristica della corrente
kg	Chilogrammo	Peso

AVVERTENZE DI SICUREZZA IMPORTANTI

⚠ AVVERTENZA! Leggere tutte le avvertenze di sicurezza, le istruzioni, le illustrazioni e le specifiche fornite insieme a questo utensile elettrico. Il mancato rispetto delle istruzioni sotto riportate comporta il rischio di scossa elettrica, incendio e/o gravi infortuni.

Conservare tutte le avvertenze e le istruzioni per futuro riferimento.

- Evitare gli ambienti pericolosi. Non usare l'apparecchio in ambienti umidi o bagnati.
 - Mantenere la cuffia di protezione dell'apparecchio installata e in buono stato.
 - Tenere mani e piedi lontani dall'area di taglio.
 - Per ridurre il rischio di infortunio, non lavorare mai su scale o su altri supporti instabili. Non tenere mai l'unità di taglio sopra l'altezza della vita.
 - Ispezionare l'unità di taglio a brevi e regolari intervalli durante l'uso o immediatamente dopo aver rilevato un evidente cambiamento nell'efficienza di taglio.
- Per i migliori risultati, ricaricare la batteria in locali in cui la temperatura è superiore a 5°C e inferiore a 40°C. Non conservare l'apparecchio all'aperto o all'interno di veicoli.
 - Se un'altra persona si avvicina, arrestare immediatamente il motore e l'unità di taglio.
 - Avverte l'operatore del pericolo di contraccolpo della lama.
 - Il contraccolpo della lama può verificarsi quando la lama in movimento entra a contatto con un oggetto che non riesce a tagliare immediatamente.
 - Il contraccolpo della lama può essere così violento da spingere l'unità e/o l'operatore in qualsiasi direzione, causando la perdita di controllo dell'unità.
 - Il contraccolpo della lama può verificarsi senza preavviso se la lama si inceppa, si blocca o si piega.
 - Il contraccolpo può verificarsi maggiormente in aree in cui è difficile vedere il materiale da tagliare.
 - Non fissare alcuna lama all'unità senza aver installato correttamente tutti i componenti necessari. Il mancato utilizzo dei componenti corretti può causare il distacco della lama, con il conseguente rischio di lesioni per l'operatore e/o le persone presenti. Gettare lame piegate, deformate, incrinare, rotte o danneggiate in qualsiasi modo. Usare una lama affilata. Una lama smussata ha più probabilità di incepparsi e causare contraccolpi.
 - La lama/il filo di taglio può causare lesioni anche dopo l'arresto del motore o il rilascio dell'interruttore a grilletto perché continua a ruotare. Mantenere il controllo dell'apparecchio finché la lama/il filo di taglio non si ferma completamente.
 - Gli apparecchi a batteria non hanno bisogno di essere collegati a un impianto elettrico; pertanto sono sempre in condizioni operative. Tenere a mente i possibili rischi anche quando l'apparecchio non è in funzione. Prestare attenzione durante le operazioni di manutenzione o riparazione.
 - Non pulire l'apparecchio con tubi per innaffiare; evitare le infiltrazioni d'acqua nel motore e nelle connessioni elettriche.
 - In caso di situazioni non contemplate in questo manuale, agire con cautela e usare il buon senso. Contattare il centro di assistenza EGO per assistenza.

CONSERVARE QUESTE ISTRUZIONI!

IT

SPECIFICHE TECNICHE

Velocità a vuoto	Fino a 450/min		
Lama di taglio	ABR2300		
Temperatura di funzionamento raccomandata	0°C – 40°C		
Temperatura di conservazione raccomandata	-20°C – 70°C		
Temperatura di ricarica ottimale	5°C – 40°C		
Peso	1,9 kg		
Livello di potenza sonora misurato L_{WA}	96,1 dB(A) K = 3,8 dB (A)		
Livello di pressione sonora a livello dell'orecchio dell'operatore L_{PA}	83,2 dB(A) K = 2,5 dB(A)		
Livello di potenza sonora garantito L_{WA} (misurazione conforme a 2000/14/EC)	100 dB(A)		
Valore di vibrazioni $a_{h,v}$	Apparecchio	Con STX3800	Con BCX3800
	Impugnatura sinistra	0,7 m/s ²	0,6 m/s ²
	Impugnatura destra	K=1,5 m/s ²	K=1,5 m/s ²

- Il valore totale dichiarato delle vibrazioni è stato misurato con un metodo di valutazione standard e può essere utilizzato per confrontare l'apparecchio con altri prodotti analoghi.
- Il valore totale di vibrazioni indicato può essere utilizzato anche per una valutazione preliminare dei livelli di esposizione.

NOTA: l'emissione di vibrazioni durante l'uso effettivo dell'apparecchio può variare rispetto al valore indicato in base a come viene utilizzato l'utensile. Per proteggersi, l'operatore deve indossare guanti e dispositivi di protezione per le orecchie in base alle reali condizioni d'uso.

DESCRIZIONE

DESCRIZIONE DEL ROTOCUT (Fig. A)

- Vite sigillante
- Scatola degli ingranaggi
- Lama
- Coprilama
- Gruppo cuffia di protezione
- Chiave
- Chiave esagonale
- Boccola (Per l'uso con tubo da 25 mm di diametro)

CONTENUTO DELLA CONFEZIONE

NOME COMPONENTE	QUANTITÀ
ROTOCUT	1
Gruppo cuffia di protezione	1
Chiave	1
Chiave esagonale	1
Boccola	1
Manuale di istruzioni	1

ASSEMBLAGGIO

AVVERTENZA! In caso di componenti danneggiati o mancanti, non usare l'apparecchio finché i componenti non vengono sostituiti. L'uso dell'apparecchio con componenti danneggiati o mancanti comporta il rischio di lesioni gravi.

AVVERTENZA! Non tentare di modificare l'apparecchio o creare accessori non raccomandati per l'uso con questo apparecchio. Tali alterazioni o modifiche costituiscono un uso improprio e comportano condizioni pericolose e il rischio di lesioni gravi.

AVVERTENZA! Per evitare l'avvio accidentale e il conseguente rischio di lesioni gravi, scollegare sempre il connettore della batteria dalla presa durante l'assemblaggio dei componenti.

SOSTITUZIONE DELLA TESTA DI TAGLIO CON FILO CON L'ACCESSORIO ROTOCUT

- Afferrare il decespugliatore a filo/lama e usare la chiave esagonale per rimuovere la cuffia di protezione, la testa di taglio e la scatola degli ingranaggi dall'asta di trasmissione (Fig. B1-B3). L'asta di trasmissione sarà utilizzata in seguito per l'assemblaggio del ROTOCUT.
- Estrarre il ROTOCUT dalla confezione, allentare le due viti 1# e tenerle sulla piastra di fissaggio, quindi allentare e rimuovere la vite 2# dalla piastra di fissaggio (Fig. B4).

B-1	Vite 1#	B-3	Piastra di fissaggio
B-2	Vite 2#		

- Inserire l'accessorio ROTOCUT sull'asta di trasmissione rimossa al passaggio 1, assicurandosi che il foro della vite B-2 sia allineato con il foro sull'asta di trasmissione (Fig. B5).

4. Inserire per prima la vite B-2 e serrarla, quindi serrare le due viti B-1 (Fig. B6).
5. Estrarre la cuffia di protezione del ROTOCUT dalla confezione e allentare i due bulloni sulla protezione. Rimuovere i due bulloni e le due rondelle a molla dalla cuffia di protezione e conservarli (Fig. B7).
6. Sollevare l'accessorio ROTOCUT e ruotarla verso il basso; allineare i due fori di montaggio sulla cuffia di protezione con i due fori sulla piastra di fissaggio del ROTOCUT. Assicurarsi che la cuffia di protezione sia orientata come illustrato (la forma ad arco intorno ai denti di taglio) (Fig. B8).
7. Usare la chiave esagonale per bloccare la cuffia di protezione in posizione.
8. Rimuovere il coprilama dalla lama prima dell'uso.

UTILIZZO

⚠ AVVERTENZA! La familiarità con questo apparecchio non deve rendere l'operatore disattento. Anche un solo momento di disattenzione comporta il rischio di lesioni gravi.

⚠ AVVERTENZA! Indossare sempre protezioni per gli occhi e protezioni per le orecchie. Il mancato rispetto di questa istruzione comporta il rischio di oggetti proiettati verso gli occhi dell'operatore e altre lesioni gravi.

⚠ AVVERTENZA! Non usare accessori non raccomandati dal costruttore dell'apparecchio. L'uso di accessori non raccomandati comporta il rischio di lesioni gravi.

⚠ AVVERTENZA! Per prevenire il rischio lesioni gravi, scollegare il gruppo batteria dall'apparecchio prima di pulirlo o ripararlo e prima di sostituire gli accessori o rimuovere del materiale dall'apparecchio.

Questo prodotto può essere usato per gli scopi elencati di seguito.

Taglio: per tagliare l'erba intorno a paletti o ringhiere, lungo pareti, marciapiedi, recinzioni nel traffico o nei parcheggi.

NOTA: durante l'uso del ROTOCUT, assicurarsi che nessun oggetto estraneo possa essere lanciato dall'apparecchio per evitare i seguenti rischi: finestre rotte, carrozzerie ammaccate, recinti danneggiati, cortecce lacerate o lesioni personali.

COLLEGAMENTO/SCOLLEGAMENTO DELLA BATTERIA (Fig. C)

Ricaricare completamente la batteria prima del primo utilizzo.

Allineare il simbolo ▲ sul connettore con il simbolo ▲ sull'apparecchio. Inserire il connettore nell'apparecchio finché il sigillo verde non scompare completamente nella presa.

Per scollegare la batteria, afferrarla e tirarla.

AVVIO/ARRESTO DELL'ACCESSORIO (PER STX3800 E BCX3800)

Consultare la sezione "AVVIO/ARRESTO DEL DECESPUGLIATORE A FILO/LAMA" nel manuale di istruzioni di STX3800/BCX3800.

UTILIZZO DELL'ACCESSORIO

⚠ AVVERTENZA! Per evitare lesioni gravi, indossare sempre occhiali di protezione o di sicurezza durante tutto l'uso dell'apparecchio. Indossare una maschera facciale antipolvere in ambienti polverosi.

Sgombrare l'area da tagliare prima di ogni utilizzo. Rimuovere oggetti come pietre, vetri rotti, chiodi, cavi o corde perché potrebbero venire lanciati o impigliarsi nell'accessorio di taglio. Tenere lontani dall'area di lavoro bambini, altre persone e animali. Tenere eventuali bambini, altre persone e animali ad almeno 15 m di distanza; permane tuttavia il rischio di lesioni alle altre persone dovute al lancio di oggetti. Si raccomanda di far indossare dei dispositivi di protezione per gli occhi a eventuali persone presenti. Se un'altra persona si avvicina, arrestare immediatamente il motore e l'accessorio di taglio.

Prima di ogni utilizzo, verificare l'assenza di componenti danneggiati/usurati.

Ispezionare l'accessorio ROTOCUT, la cuffia di protezione e l'impugnatura ad anello e sostituire i componenti incrinati, deformati, piegati o danneggiati in qualsiasi modo.

⚠ AVVERTENZA! Indossare sempre i guanti prima di installare la cuffia di protezione o di effettuare operazioni sulla lama. Fare attenzione alla lama e proteggere le mani dal rischio di lesioni.

Pulire l'accessorio dopo ogni utilizzo.

⚠ ATTENZIONE! L'ostruzione delle aperture di ventilazione impedirà il flusso d'aria all'interno del vano motore, causando il surriscaldamento o il danneggiamento del motore.

- Usare esclusivamente sapone neutro e un panno umido per pulire l'apparecchio. Evitare l'infiltrazione di liquidi all'interno dell'apparecchio. Non immergere mai alcuna parte dell'apparecchio in liquidi.
- Mantenere le aperture di ventilazione sul vano motore prive di detriti.

MANUTENZIONE

AVVERTENZA! Per la riparazione dell'apparecchio, usare esclusivamente parti di ricambio identiche. Ispezionare l'accessorio ed effettuare la manutenzione regolarmente. Per garantire sicurezza e affidabilità, tutte le riparazioni e sostituzioni devono essere eseguite da un tecnico qualificato.

AVVERTENZA! Gli apparecchi a batteria non hanno bisogno di essere collegati a un impianto elettrico; pertanto sono sempre in condizioni operative. Per evitare lesioni gravi, prestare particolare attenzione durante le operazioni di manutenzione o riparazione e la sostituzione dell'accessorio di taglio o di altri accessori.

AVVERTENZA! Per evitare lesioni gravi, rimuovere il gruppo batteria dall'apparecchio prima di pulirlo o ripararlo e prima di sostituire gli accessori o rimuovere del materiale dall'apparecchio.

SOSTITUZIONE DELLA LAMA DEL ROTOCUT

AVVERTENZA! Se la lama si allenta dopo averla fissata in posizione o se è molto usurata, sostituirla immediatamente. Non usare mai l'accessorio se la lama è allentata o smussata.

La Fig. D1 illustra i componenti dell'accessorio ROTOCUT.

D-1	Coppetta dell'asta	D-5	Rondella
D-2	Lama superiore	D-6	Coppa scorrevole
D-3	Lama inferiore	D-7	Dado
D-4	Coppetta di supporto		

1. Posizionare la scatola degli ingranaggi del ROTOCUT contro una superficie solida. Bloccare le lame con una pinza o una morsa, quindi usare la chiave per allentare il dado (Fig. D2).
2. Rimuovere il dado, la coppa scorrevole, la rondella, la coppetta di supporto, la lama superiore, la lama inferiore e la coppetta dell'asta nella sequenza illustrata in Fig. D1.
3. Prima di installare delle lame nuove, installare la coppetta dell'asta (Fig. D3). Posizionare la lama superiore con il foro esagonale grande sull'asta con la superficie che riporta il logo "EGO" rivolta verso la scatola degli ingranaggi (Fig. D4), quindi posizionare la lama inferiore con il foro esagonale piccolo sull'asta con la superficie che riporta il logo "EGO" rivolta verso l'operatore (Fig. D5).

NOTA: assicurarsi che i fori esagonali sulle lame e la spalla esagonale dell'asta siano allineati. In caso contrario le lame sono in posizione invertita: il ROTOCUT non funzionerà correttamente e danneggerà le lame.

4. Seguire la sequenza illustrata in Fig. D1 per rimontarle.

LUBRIFICAZIONE DELLA SCATOLA DEGLI INGRANAGGI

Per un funzionamento ottimale e una maggiore durata di vita, lubrificare la scatola degli ingranaggi con del grasso speciale (4-5 g ogni volta) ogni 50 ore di utilizzo.

Il grasso deve rispettare i requisiti elencati di seguito.

1. Grado di consistenza conforme a DIN51818: NLGI-1.
2. Grasso a base di estere.
3. Bassa temperatura di avviamento, EP, abbassamento meccanico, resistenza all'abrasione e proprietà ossidative stabili.
4. Temperatura operativa compresa tra -40°C e 180°C. Rimuovere le vite sigillante. Versare il grasso nella scatola degli ingranaggi attraverso l'apposito foro.

AVVERTENZA! Non lubrificare l'accessorio mentre è in funzione o collegato alla batteria.

PULIZIA DELL'APPARECCHIO

- Pulire l'apparecchio usando un panno inumidito con del detergente neutro.
- Non usare detergenti aggressivi sulle superfici esterne in plastica o sull'impugnatura perché possono essere danneggiate da alcuni oli aromatici, come pino e limone, e da solventi come il cherosene. L'umidità comporta il rischio di scossa elettrica. Rimuovere eventuali segni di umidità con un panno asciutto e morbido.

CONSERVAZIONE DELL'APPARECCHIO

- Rimuovere il gruppo batteria dall'accessorio quando non è in uso.
- Pulire accuratamente l'apparecchio prima di riporlo.
- Conservare l'apparecchio in un luogo asciutto, ben ventilato, elevato o chiuso a chiave, e fuori dalla portata dei bambini. Non conservare l'apparecchio sopra o in prossimità di fertilizzanti, benzina o altre sostanze chimiche.
- Rivestire la lama con l'apposito coprilama durante il trasporto e lo stoccaggio.

Protezione dell'ambiente



RAEE (Rifiuti di apparecchiature elettriche ed elettroniche)

Non smaltire apparecchi elettrici, caricabatteria e batterie insieme ai rifiuti domestici. Portare il prodotto presso un centro di riciclaggio autorizzato affinché venga raccolto separatamente. Gli apparecchi elettrici devono essere portati presso un centro di riciclaggio ecocompatibile.

RISOLUZIONE DEI PROBLEMI

PROBLEMA	CAUSA	SOLUZIONE
Il ROTOCUT non si avvia.	<ul style="list-style-type: none">■ Il gruppo batteria non è collegato correttamente sull'unità motore.■ Il gruppo batteria è scarico.■ La leva di sbloccaggio e l'interruttore a grilletto non sono stati premuti contemporaneamente.	<ul style="list-style-type: none">■ Collegare il gruppo batteria all'unità motore.■ Ricaricare il gruppo batteria con i caricabatteria EGO elencati in questo manuale.■ Tenere premuta la leva di sbloccaggio contemporaneamente all'interruttore a grilletto per avviare l'unità.
Il ROTOCUT si arresta durante il taglio.	<ul style="list-style-type: none">■ Il motore è sovraccarico.■ Il gruppo batteria è troppo caldo.■ Il gruppo batteria si è scollegato.	<ul style="list-style-type: none">■ Il motore si riavvierà alla rimozione del carico. Per il funzionamento continuo, diminuire il carico sul ROTOCUT ed evitare il taglio profondo; effettuare tagli progressivi.■ Lasciare che il gruppo batteria si raffreddi naturalmente, o raffreddarlo con dell'aria compressa.■ Ricollegare il gruppo batteria.

IT

GARANZIA

CONDIZIONI DELLA GARANZIA EGO

Visitare il sito web egopowerplus.com per consultare le condizioni complete della garanzia EGO.

LEES ALLE INSTRUCTIES!



LEES DE GEBRUIKSAANWIJZING

⚠ Restrisico! Personen met elektronische apparaten, zoals pacemakers, moeten eerst hun arts(en) raadplegen voordat ze dit product gebruiken. De werking van een elektrisch apparaat in de nabijheid van een pacemaker kan een storing of defect van de pacemaker veroorzaken.

⚠ WAARSCHUWING: Om een continue veiligheid en betrouwbaarheid te waarborgen, dienen alle reparaties en vervangingen van onderdelen uitgevoerd te worden door een vakbekwame reparateur.

VEILIGHEIDSSYMBOL

Het doel van de veiligheidssymbolen is om u te wijzen op mogelijke gevaren. Besteed daarom voldoende aandacht hieraan en begrijp de veiligheidssymbolen en bijbehorende uitleg. De symboolwaarschuwingen op zich elimineren geen enkel gevaar. De verstrekte instructies en waarschuwingen gelden niet als vervanging voor gepaste voorzorgsmaatregelen tegen ongevallen.

⚠ WAARSCHUWING: Lees en begrijp alle veiligheidsinstructies die in deze gebruiksaanwijzing staan vermeld, waaronder alle veiligheidssymbolen zoals “GEVAAR,” “WAARSCHUWING,” en “OPGELET” voordat u dit gereedschap in gebruik neemt. Het negeren van onderstaande instructies kan leiden tot een elektrische schok, brand en/of ernstig persoonlijk letsel.

BETEKENIS VAN DE SYMBOLEN

⚠ VEILIGHEIDS-WAARSCHUWINGSSYMBOL: Duidt op **GEVAAR, WAARSCHUWING, OF OPLETTEN**, kan worden gebruikt in combinatie met andere symbolen of pictogrammen.

⚠ WAARSCHUWING: De werking van het apparaat kan leiden tot het rondslingeren van (vreemde) objecten die in uw ogen kunnen terechtkomen. Dit kan leiden tot ernstig oogletsel. Wanneer u elektrisch gereedschap gebruikt, zorg er dan voor dat u altijd een veiligheidsbril (met zijschermen) of een gelaatsscherm draagt. We bevelen aan om een gelaatsscherm over uw bril of standaard veiligheidsbril met zijschermen te gebruiken.

VEILIGHEIDSSYMBOLEN

Deze pagina toont en beschrijft alle veiligheidssymbolen die zich op dit product kunnen bevinden. Lees, begrijp en volg alle instructies op de machine voordat u deze in elkaar zet en gebruikt.

	Veiligheidswaarschuwing	Voorzorgsmaatregelen voor uw veiligheid.
	Lees de gebruiksaanwijzing	De gebruiker dient de gebruiksaanwijzing voor het gebruik van dit product te lezen en te begrijpen om risico op letsel te beperken.
	Draag oogbescherming	Draag altijd een veiligheidsbril met zijschermen en een gelaatsscherm als u dit product gebruikt.
	Draag gehoorbescherming	Draag altijd gehoorbescherming wanneer u dit product gebruikt.
	Draag hoofdbescherming	Draag een goedgekeurde veiligheidshelm om uw hoofd te beschermen.
	Draag beschermende handschoenen	Bescherm uw handen met handschoenen bij de omgang met de messen of de mesbeschermer.
	Draag veiligheidsschoenen	Draag slipvrije veiligheidsschoenen als u dit apparaat gebruikt.
	Pas op de stoot van het mes	Waarschuw de bediener voor de gevaren van de stuwkracht van het mes.
	Afkaatsing en houd omstanders uit de buurt	Wegslingerende voorwerpen kunnen afketsen en leiden tot persoonlijk letsel of schade aan eigendommen. Zorg dat andere personen en huisdieren zich uit de buurt van de bosmaaier bevinden wanneer in gebruik.

	Houd omstanders uit de buurt	Zorg dat andere personen en huisdieren zich op minstens 15m van de trimmer bevinden wanneer deze in gebruik is.
	Geen rond mes	Installeer geen ronde snijmesses.
	WEEE	Gooi elektrisch afval niet via het huishoudelijk afval weg. Breng het naar een geautoriseerd recyclingbedrijf.
	Geluid	Gewaarborgd geluidsvermogensniveau. Geluidsemisatie voor de omgeving in overeenstemming met de richtlijnen van de Europese Unie
	CE	Dit product is in overeenstemming met de EG-richtlijnen.
V	Volt	Spanning
n_0	Snelheid zonder belasting	Draaisnelheid, zonder belasting
min ⁻¹	Per minuut	Toeren per minuut
	Gelijkstroom	Stroomtype of -karakteristiek
kg	Kilogram	Gewicht

BELANGRIJKE VEILIGHEIDSINSTRUCTIES

⚠ WAARSCHUWING: Lees alle veiligheidswaarschuwingen, instructies, illustraties en specificaties die met het elektrisch gereedschap zijn meegeleverd. Het negeren van onderstaande instructies kan leiden tot een elektrische schok, brand en/of ernstig letsel

Bewaar alle waarschuwingen en instructies voor toekomstig gebruik.

- **Vermijd een gevaarlijke omgeving** – Gebruik het gereedschap niet op een vochtige of natte helling.
- **Houd de schermen op hun plaats en in een goede staat.**

- **Houd handen en voeten uit de buurt van het snijgebied.**
- **Om het risico op letsel te vermijden, werk nooit op een ladder of andere onveilige steun. Houd het snijelement nooit boven uw middel.**
- **Controleer het snijelement regelmatig tijdens het gebruik of onmiddellijk na een duidelijke wijziging in de snijprestaties.**
- **Voor het beste resultaat dient u de batterij te laden op een plek waar de temperatuur hoger is dan 5°C en lager dan 40°C.** Niet buiten of in voertuigen bewaren.
- **Als iemand in de buurt komt, stop de motor en het snijelement.**
- **Waarschuw de bediener voor de gevaren van de stuwkracht van het mes.**
- Terugslag kan optreden wanneer het draaiend mes contact maakt met een voorwerp dat niet onmiddellijk wordt gesneden.
- De terugslag kan hevig genoeg zijn om ervoor te zorgen dat het gereedschap en/of de bediener naar een bepaalde richting wordt geduwd, wat tot een mogelijk controleverlies over het gereedschap kan leiden.
- Terugslag kan zich zonder waarschuwing voordoen als het mes vastzit, blijft steken of wordt gebogen.
- Er is een grotere kans op terugslag in een gebied waar het te maaien materiaal moeilijk te zien is.
- **Maak geen mes aan een gereedschap vast zonder de juiste installatie van alle vereiste onderdelen. Het niet gebruiken van de juiste onderdelen kan tot het wegvliegen van het mes leiden en kan ernstig letsel bij de bediener en/of omstanders veroorzaken. Gooi messen die gebogen, vervormd, gebarsten, gebroken of beschadigd zijn weg op een juiste manier. Een bot mes heeft meer kans om te blijven steken of op terug slaan.**
- Een ronddraaiend mes/snijdraad kan letsel veroorzaken wanneer het na het stoppen van de motor of het loslaten van de trekker nog verder ronddraait. Houd het gereedschap op een veilige manier vast totdat het mes/snijdraad volledig tot stilstand is gekomen.
- **Accugereedschap hoeft niet aan een stopcontact te worden aangesloten en kan dus altijd onmiddellijk gebruikt worden.** Pas op voor mogelijke gevaren, zelfs wanneer het gereedschap niet in werking is. Let op wanneer u onderhoud op het gereedschap uitvoert.

- Reinig het gereedschap niet met een slang. Zorg dat de motor of elektrische componenten niet met water in aanraking komen.
- Als er zich situaties voordoen die niet in deze handleiding zijn behandeld, gebruik uw gezond verstand. Neem contact op met het EGO servicecentrum voor hulp.

BEWAAR DEZE GEBRUIKSAANWIJZING!

NL

SPECIFICATIES

Snelheid zonder belasting	Tot 450/min		
Zaagblad	ABR2300		
Aanbevolen bedrijfstemperatuur	0°C-40°C		
Aanbevolen opslagtemperatuur	-20°C-70°C		
Optimale laadtemperatuur	5°C-40°C		
Gewicht	1,9 kg		
Gemeten geluidsvermogensniveau L_{WA}	96,1 dB(A) K = 3,8 dB (A)		
Geluidsdruk niveau bij het oor van de bediener L_{PA}	83,2 dB(A) K = 2,5 dB(A)		
Gewaarborgd geluidsvermogensniveau L_{WA} (gemeten conform 2000/14/EC)	100 dB(A)		
Inschatting van de vibratie a_{hv} :	Machine	Met STX3800	Met BCX3800
	Linker handvat	0,7 m/s ² K = 1,5 m/s ²	0,6 m/s ² K = 1,5 m/s ²
	Rechter handvat		

- De opgegeven totale vibratiewaarde is gemeten volgens de standaard testmethode en kan worden gebruikt om het apparaat met een ander apparaat te vergelijken;
- De opgegeven totale vibratiewaarde kan tevens worden gebruikt in een voorafgaande beoordeling op blootstelling.

OPMERKING: De vibratie-afgifte tijdens het werkelijk gebruik van het elektrisch gereedschap kan verschillen van de opgegeven totale waarde; Om de bediener te beschermen dient de gebruiker tijdens het gebruik handschoenen en gehoorbescherming te dragen.

BESCHRIJVING

KEN UW ROTO CUT (afb. A)

1. Afdichtschroef
2. Tandwielkast
3. Mes
4. Mesbeschermer
5. Beschermkap
6. Sleutel
7. Binnenzeskantsleutel
8. Lager (voor het gebruik met een buis met een diameter van 25 mm)

INHOUD VAN DE VERPAKKING

NAAM ONDERDEEL	AANTAL
ROTOCUT	1
Beschermkap	1
Sleutel	1
Binnenzeskantsleutel	1
Lager	1
Gebruiksaanwijzing	1

MONTAGE

⚠ WAARSCHUWING: Als er onderdelen beschadigd zijn of ontbreken, gebruik dit product niet totdat alle onderdelen vervangen of aanwezig zijn. Dit product gebruiken met beschadigde of ontbrekende onderdelen kan ernstig persoonlijk letsel veroorzaken.

⚠ WAARSCHUWING: Probeer niet om dit product aan te passen of accessoires te maken die niet voor gebruik met deze machine zijn aanbevolen. Een dergelijke aanpassing of wijziging is misbruik en kan leiden tot gevaar en een ernstig persoonlijk letsel.

⚠ WAARSCHUWING: Om het toevallig starten van het gereedschap, dat ernstig persoonlijk letsel kan veroorzaken te voorkomen, moet u de accuconnector altijd uit de aansluiting halen als u onderdelen monteert.

DE TRIMMERKOP VERVANGEN DOOR EEN ROTO CUT KOP

1. Houd uw gratimmer/bosmaaier vast en gebruik de binnenzeskantsleutel om de trimmerbescherming, trimmerkop en tandwielkast van de aandrijfschacht te verwijderen (afb. B1-B3). De aandrijfschacht wordt later gebruikt voor de montage van de ROTO CUT.

2. Haal de ROTOCUT uit de verpakking, maak de twee schroef 1# los en houd ze op de bevestigingsplaat, maak schroef 2# los en verwijder hem van de bevestigingsplaat. (Afb. B4)

B-1	Schroef 1#	B-3	De bevestigingsplaat
B-2	Schroef 2#		

3. Plaats vervolgens de ROTOCUT kop op de aandrijfschacht die in stap 1 is verwijderd en zorg ervoor dat het gat van de B-2 schroef in lijn is met het gat op de aandrijfschacht (afb. B5).
4. Plaats schroef B-2 als eerste en draai hem vast en plaats vervolgens schroef B-1 en draai deze ook vast (afb. B6).
5. Haal de ROTOCUT bescherming uit de verpakking en maak de twee bouten van de bescherming los. Verwijder en bewaar de twee bouten en veerringen van de bescherming (afb. B7).
6. Til de ROTOCUT kop op en richt hem naar beneden; breng de twee montagegaten in de bescherming op één lijn met de twee montagegaten van de ROTOCUT bevestigingsplaat. Zorg ervoor dat de richting van de bescherming is zoals in de onderstaande afbeelding, de boogvorm rond de snijtanden. (Afb. B8).
7. Gebruik de binnenzekantsleutel om de bescherming op zijn plaats te bevestigen.
8. Verwijder tijdens het gebruik de mesbeschermer van het mes.

GEBRUIK

⚠ WAARSCHUWING: Vertrouwdheid kan leiden tot onvoorzichtigheid. Opgelet, één seconde van onoplettendheid kan ernstig letsel teweegbrengen.

⚠ WAARSCHUWING: Draag altijd oogbescherming, samen met gehoorbescherming. Het niet dragen van deze beschermingsuitrusting kan ertoe leiden dat voorwerpen in uw ogen terechtkomen of kan een ander ernstig letsel veroorzaken.

⚠ WAARSCHUWING: Gebruik geen opzetstukken of toebehoren die niet door de fabrikant van dit product zijn aanbevolen. Het gebruik van niet aanbevolen opzetstukken of toebehoren kan leiden tot ernstig persoonlijk letsel.

⚠ WAARSCHUWING: Om ernstig persoonlijk letsel te voorkomen, ontkoppelt u het accupack van het gereedschap alvorens onderhoud, reiniging, het wijzigen van accessoires of het verwijderen van materiaal uit te voeren.

U kunt dit product gebruiken voor onderstaand vermelde doeleinden:

Snijden: gebruik voor het snijden van gras rond palen of relingen, randen van wanden, stoepranden, hekken bij verkeer of het trimmen van vegetatie op parkeerplaatsen.

OPMERKING: Als u de ROTOCUT gebruikt, moet u ervoor zorgen dat geen vreemde voorwerpen worden rondgeslingerd die grote risico's veroorzaken: gebroken ramen, deuken in auto's, kapotte hekken, schors die loskomt van bomen of persoonlijk letsel.

OM DE ACCU AAN TE SLUITEN/LOS TE KOPPELEN (afb. C)

Voor de eerste ingebruikname volledig opladen.

Breng **▲** op de stekker op één lijn met **▲** op de machine. Steek de stekker in het gereedschap totdat de groene afdichting volledig in de aansluiting is verdwenen.

Om de accu los te koppelen, trekt u hem er gewoon uit door hem vast te houden en terug te trekken.

HET GEREEDSCHAP STARTEN/STOPPEN (VOOR STX3800 & BCX3800)

Zie „STARTEN/STOPPEN VAN DE GRASTRIMMER/ DE BOSMAAIER' alinea in de gebruiksaanwijzing van STX3800/BCX3800.

HET GEREEDSCHAP GEBRUIKEN

⚠ WAARSCHUWING: Om ernstig persoonlijk letsel te voorkomen, draag altijd een veiligheidsbril wanneer u dit gereedschap gebruikt. Draag een gezichts- of stofmasker in geval van een stoffige omgeving.

Voor gebruik, verwijder alle mogelijke obstakels uit de te maaien zone. Verwijder voorwerpen zoals stenen, gebroken glas, spijkers, draad of koorden, die opgegooid kunnen worden of in het snijelement terecht kunnen komen. Zorg dat er zich geen kinderen, omstanders of huisdieren in de omgeving bevinden. Houd kinderen, omstanders en huisdieren op een afstand van minstens 15 m; er is nog altijd risico op het wegslingeren van voorwerpen richting omstanders. Omstanders worden aangespoord om oogbescherming te dragen. Als iemand in de buurt komt, stop de motor en het snijelement dan onmiddellijk.

Controleer voor elk gebruik op beschadigde/versleten onderdelen

Controleer de ROTOCUT kop, beschermkap en lus greep en vervang de onderdelen die gebarsten, scheef getrokken, gebogen of beschadigd zijn.

⚠ WAARSCHUWING: Draag altijd handschoenen tijdens het monteren van de bescherming of tijdens het onderhoud van het mes. Let op voor het mes en bescherm uw hand tegen letsel.

NL

Maak het gereedschap na elk gebruik schoon.

⚠ OPGELET: Belemmeringen in de ventilatieopeningen beletten de aanvoer van lucht in de motorbehuizing. Dit kan oververhitting of schade aan de motor veroorzaken.

- Maak het gereedschap alleen schoon met een vochtige doek en milde zeep. Zorg dat er geen vloeistof het gereedschap binnendringt. Dompel nooit een deel van het gereedschap in een vloeistof.
- Houd de luchtopeningen in de motorbehuizing op elk moment vrij van vuil.

ONDERHOUD

⚠ WAARSCHUWING: Gebruik tijdens reparaties uitsluitend identieke reserve-onderdelen. Controleer en onderhoud het gereedschap regelmatig. Laat alle reparaties uitvoeren door een vakbekwame reparateur om een continue veiligheid en betrouwbaarheid te waarborgen.

⚠ WAARSCHUWING: Accugereedschap hoeft niet aan een stopcontact te worden aangesloten en kan dus altijd onmiddellijk gebruikt worden. Neem extra voorzorgsmaatregelen wanneer u het snijelement of andere accessoires onderhoudt, reinigt of wijzigt om ernstig persoonlijk letsel te voorkomen.

⚠ WAARSCHUWING: Haal het accupack uit het gereedschap voor onderhoud, reiniging, het wijzigen van extra accessoires of het verwijderen van materiaal om ernstig letsel te voorkomen.

VERVANGEN VAN HET ROTOCUT MES

⚠ WAARSCHUWING: Als de messen los raken nadat ze zijn bevestigd of als de messen ernstig zijn versleten, moet u de messen onmiddellijk vervangen. Gebruik nooit een gereedschap met los of ineffektieve snijelementen.

Ken de ROTOCUT kop zoals weergegeven in afb. D1.

D-1	Schachtkop	D-5	Ring
D-2	Bovenste mes	D-6	Glijkom
D-3	Onderste mes	D-7	Moer
D-4	Ondersteunende kop		

1. Plaats de tandwielkast van de ROTOCUT kop tegen een stevig oppervlak. Klem de bovenste en onderste messen vast met een tang of in een bankschroef, en gebruik vervolgens een sleutel om de moer los te maken (afb. D2).
2. Verwijder de moer, de glijkom, ring, ondersteunende kop, onderste mes, bovenste mes en schachtkop in de volgorde zoals weergegeven in afb. D1.
3. Voordat u nieuwe messen installeert, moet u de schachtkop op de schacht plaatsen (afb. D3). Plaats het bovenste blad met het grote zeskante gat op de schacht met het geprinte 'EGO' logo richting de tandwielkast (afb. D4), plaats vervolgens het onderste mes met het kleine zeskante gat op de schacht met het geprinte 'EGO' logo richting de bediener (afb. D5).

OPMERKING: Zorg ervoor dat de zeskante gaten van de messen en de zeskante schacht op hun plek passen. Anders als de messen andersom zijn geplaatst, kan de ROTOCUT niet juist werken en zullen de messen beschadigd raken.

4. Volg de volgorde weergegeven in afb. D1 om alles weer te monteren.

DE TANDWIELKAST SMEREN

Voor de beste werking en een langere levensduur smeert u de tandwielkast met een speciaal vet (iedere keer ongeveer 4 à 5g) na elke 50 bedrijfsuren.

Het speciale vet moet voldoen aan de volgende eisen.

1. Behoort tot DIN51818: NLGI-1 kegel penetratiegraad.
2. Vet op basis van esters.
3. Uitstekende start bij lage temperaturen, EP, mechanische schering, bestendig tegen slijtage en oxidatieve stabiliteitseigenschappen.
4. Gebruikstemperatuur moet tussen -40~180°C liggen. Verwijder de afdichtschroef. Vul het vet bij bij de tandwielkast door het oliegat.

⚠ WAARSCHUWING: Niet smeren terwijl het gereedschap nog is aangesloten op de accu of nog loopt.

HET APPARAAT SCHOONMAKEN

- Maak het apparaat schoon met een vochtige doek en mild schoonmaakmiddel.
- Maak de kunststof behuizing of handgreep niet schoon met een agressief schoonmaakmiddel. Deze kunnen door bepaalde aromatische oliën, zoals pijnboom en citroen, en oplosmiddelen, zoals kerosine, worden beschadigd. Vocht kan risico op elektrische schokken met zich meebrengen. Veeg eventueel vocht weg met een zachte en droge doek.

HET APPARAAT OPBERGEN

- Koppel de accu los van het gereedschap als u het niet gebruikt.
- Maak het gereedschap grondig schoon voordat u het opbergt.
- Berg het apparaat op in een droge, goed geventileerde en afsluitbare ruimte of op een hoge hoogte en buiten het bereik van kinderen. Berg het apparaat niet op in de buurt van meststoffen, benzine of andere chemicaliën.
- Gebruik een transportafdekking voor de metalen messen tijdens transport en opslag.

Het milieu beschermen



WEEE (afgedankte elektrische en elektronische apparatuur)

Gooi geen elektrische apparatuur, gebruikte batterijen en laders weg via het huishoudelijk afval! Geef dit product af bij een geautoriseerd recyclingbedrijf en zorg dat het apart kan worden ingezameld. Elektrisch gereedschap moet worden afgegeven voor een milieuvriendelijke recycling.

NL

PROBLEEMOPLOSSING

NL

PROBLEEM	OORZAAK	OPLOSSING
De ROTOCUT wil niet starten.	<ul style="list-style-type: none">■ Het accupack is niet goed aangesloten op de motorkop.■ Het accupack is uitgeput.■ De ontgrendelingshendel en trekker zijn niet gelijktijdig ingedruwd.	<ul style="list-style-type: none">■ Sluit het accupack aan op de motorkop.■ Laad het accupack op met een EGO oplader die in de lijst in deze gebruiksaanwijzing wordt genoemd.■ Druk op de ontgrendelingshendel en houd deze ingedrukt, druk vervolgens op de schakelaar om het elektrisch gereedschap in te schakelen.
De ROTOCUT stopt tijdens het snijden.	<ul style="list-style-type: none">■ De motor is overbelast.■ Het accupack is te warm.■ Het accupack is niet met het gereedschap verbonden	<ul style="list-style-type: none">■ De motor herstelt weer zodra de belasting is verdwenen. Voor ononderbroken werk, verminder de belasting op de ROTOCUT en vermijd het te diep snijden; maak in plaats daarvan geleidelijk dieper wordende sneden.■ Laat het accupack op een natuurlijke manier afkoelen, of gebruik een luchtblazer om het afkoelen te versnellen.■ Sluit het accupack opnieuw aan.

GARANTIE

EGO GARANTIEBELEID

Bezoek alstublieft de website egopowerplus.com voor de volledige voorwaarden van het EGO garantiebeleid.

LÆS ALLE ANVISNINGER!



LÆS BRUGERVEJLEDNINGEN

⚠ Resterende risiko! Folk med elektroniske anordninger, såsom pacemakere, bør spørge deres læge(r) til råds, før de bruger dette produkt. Betjening af elektrisk udstyr i umiddelbar nærhed af et hjerte pacemaker kan forårsage forstyrrelser eller svigt af pacemakeren.

⚠ ADVARSEL: For at sikre sikkerhed og pålidelighed bør alle reparationer og udskiftninger udføres af en kvalificeret servicetekniker.

SIKKERHEDSSYMBOL

Formålet med sikkerheds- symboler er at tiltrække din opmærksomhed på mulige farer. Du bør være meget opmærksom på sikkerhedssymbole og forklaringerne til dem og lære at forstå dem. Symbolernes advarsler fjerner ikke i sig selv eventuelle farer. De anvisninger og advarsler, de giver ingen erstatninger for ordentlig forebyggelse af ulykker foranstaltninger.

⚠ ADVARSEL: Sørg for at læse og forstå alle sikkerhedsanvisninger i denne brugsanvisning, inklusive alle sikkerhedssymboler, såsom "FARE", "ADVARSEL" og "FORSIGTIG", før du bruger dette værktøj. Hvis anvisningerne nedenfor ikke følges, kan det føre til elektrisk stød, brand og/eller alvorlig personskade.

SYMBOL BETYDNING

⚠ ADVARSELSSYMBOL: Indikerer FARE, ADVARSEL ELLER FORSIGTIG, kan bruges sammen med andre symboler eller billeder.




⚠ ADVARSEL: Når elværktøjer bruges, er der altid en risiko for at genstande slynges ind i øjnene, som kan føre til alvorlige øjenskader. Inden du begynder elværktøj drift, altid bære beskyttelsesbriller eller sikkerhedsbriller med side skjolde og en fuld ansigtsmaske når det er nødvendigt. Vi anbefaler en Wide Vision Safety Maske til brug over briller eller standard sikkerhedsbriller med sideskærme.

SIKKERHEDSANVISNINGER

Denne side viser og beskriver sikkerheds- symboler, der kan vises på dette produkt. Læs, forstå, og følg alle anvisninger på maskinen, før du forsøger at samle og betjene den.

	Sikkerhed Alert	Forholdsregler, der omfatter din sikkerhed.
	Læs Betjeningsvejledning	For at reducere risikoen for skader, skal brugeren læse og forstå brugsanvisningen før du bruger dette produkt.
	Wear Eye Protection	Bær altid beskyttelsesbriller eller sikkerhedsbriller med side skjolde og en fuld ansigtskærm, når du betjener dette produkt.
	Brug høreværn	Bær altid høreværn ved betjening af dette produkt.
	Brug hovedbeskyttelse	Bær en godkendt sikkerhedshjelm til at beskytte dit hoved.
	Brug beskyttelseshandsker	Beskyt dine hænder med handsker, når du håndterer kniven eller skærmen til kniven.
	Benyt sikkerhedsfodtøj	Benyt skridsikkert sikkerhedsfodtøj, når du bruger dette udstyr.
	Pas på ryk i kniven	Advar brugeren om faren for ryk i kniven.
	Rikochettering. Hold personer på afstand	Vildtfarende smågenstande kan slynges ud og føre til personskader eller materielle skader. Sørg for, at andre mennesker og kæledyr er væk fra buskrydderen, når den er i brug.
	Hold nærstående personer på afstand	Sørg for, at andre mennesker og kæledyr står mindst 15 m væk fra græstrimmeren, når den er i brug.
	Ikke rund kniv	Montér ikke runde skæreknive
	WEEE	Elektriske affaldsprodukter må ikke bortskaffes sammen med husholdningsaffald. Bring det til en godkendt genbrugsplads.

DK

	Støj	Garanteret lydniveau. Støjemission til miljøet opfylder EF-direktivet
	CE	Dette produkt er i overensstemmelse med gældende EU-direktiver.
V	Volt	Spænding
n_0	Hastighed uden belastning	Rotationshastighed, uden belastning
min ⁻¹	Per minut	Omdrejninger per minut
	Direct Current	Spændingstype eller -karakteristika
kg	Kg	Vægt

DK

VIGTIGE SIKKERHEDSANVISNINGER

⚠ ADVARSEL: Læs alle sikkerhedsadvarsler, anvisninger, illustrationer og specifikationer, der følger med dette elværktøj. Hvis anvisningerne nedenfor ikke følges, kan det føre til elektrisk stød, brand og/eller alvorlig personskade

Gem alle advarsler og instruktioner til fremtidig reference.

- **Undgå farlige omgivelser** – Brug ikke apparatet på fugtige eller våde skråninger.
- **Hold skærmene på plads og i orden.**
- **Hold hænder og fødder borte fra klingens.**
- **For at mindske risikoen for personskade, skal man aldrig arbejde på en stige eller på ethvert andet usikkert underlag. Hold aldrig klippedelen over hoftehojden.**
- **Kontroller regelmæssigt og ofte klippedelen, når der arbejdes, eller omgående, hvis der er en mærkbar forandring i måden, hvorpå apparatet trimmer.**
- **For at opnå de bedste resultater bør dit batteri oplades et sted, hvor temperaturen er over 5°C og under 40°C.** Opbevar det ikke uden for eller i køretøjer.
- **Hvis andre personer nærmer sig, skal du straks stoppe motoren og klippedelen.**
- **Advar brugeren om faren for ryk i kniven.**
- Det kan give et ryk i klingens, når den drejende klinge rammer en genstand, som den ikke bare skærer igennem.

- Et ryk i klingens kan være kraftigt nok til at slynge enheden og/eller brugeren i alle retninger, og man kan eventuelt miste kontrollen over enheden.
- Ryk i klingens kan forekomme uden varsel, hvis klingens hager sig fast, går i stå eller binder.
- Ryk i klingens sker oftere på steder, hvor det er vanskeligt at se det, der bliver ryddet.
- **Sæt ikke en klinge på en enhed, uden at alle nødvendige dele er korrekt monteret. Hvis man ikke bruger de korrekte dele, kan klingens flyve af og kvæste brugeren og/eller de omkringstående. Kassér klingens, der er bøjedede, skævede, revnede, knækkede eller på anden måde beskadigede. Brug en skarp kniv. En sløv kniv er mere tilbøjelig til at hænge fast og give ryk.**
- **Klingens/snoren fortsætter med at dreje, når motoren er stoppet eller startknappen slippes, og kan derfor fortsat gøre skade. Hold godt fast på enheden, indtil klingens/snoren er stoppet helt.**
- **Batteridrevne værktøjer behøver ikke at være tilsluttet en stikkontakt, og derfor er de altid driftsklar. Vær opmærksom på mulige farer, selv når værktøjet ikke arbejder. Vær forsigtig, når du udfører vedligeholdelse eller service.**
- **Undlad at vaske med en slange; undgå at få vand i motor og elektriske forbindelser.**
- **Ved situationer, der ikke er dækket i denne vejledning: Vær forsigtig, og arbejd med omtanke. Kontakt EGO's kundeservicecenter for at få hjælp.**

GEM DISSE ANVISNINGER

SPECIFIKATIONER

Hastighed ubelastet	Op til 450/min
Skær	ABR2300
Anbefalet driftstemperatur	0-40 °C
Anbefalet opbevaringstemperatur	-20°C-70°C
Optimal opladning Temperatur	5°C-40°C
Vægt	1,9 kg
Målt lydeffektniveau L_{WA}	96,1 dB(A) K = 3,8 dB (A)

Lydtryk ved brugerens øre L_{PA}		83,2 dB(A) K = 2,5 dB (A)	
Garanteret lydeffekt L_{WA} (målt i henhold til 2000/14/EF)		100 dB(A)	
Vibrationsværdi $a_{h,v}$	Maskine	Med STX3800	Med BCX3800
	Venstre håndtag	0,7 m/s ²	0,6 m/s ²
	Højre håndtag	K = 1,5 m/s ²	K = 1,5 m/s ²

- Den deklarerede vibrationer samlede værdi er målt i overensstemmelse med en standard testmetode og kan anvendes til at sammenligne et værktøj med et andet;
- Den samlede angivne værdi for vibrationer kan også anvendes ved en foreløbig vurdering af eksponeringen.

BEMÆRK: vibrationer emission ved faktisk brug af elværktøjet kan afvige fra den angivne værdi, hvor værktøjet anvendes; For at beskytte operatøren, bør brugeren bære handsker og høreværn i de faktiske brugsforhold.

BESKRIVELSE

GØR DIG BEKENDT MED DIN DREJEKLIP (fig. A)

- Lukkeskrue
- Gearkasse
- Kniv
- Skede til kniv
- Skærmsamling
- Skruenøgle
- Unbrakonøgle
- Bøsning (til brug med 25 mm røret)

PAKKELISTE

RESERVEDELENS NAVN	ANTAL
DREJEKLIP	1
Skærmsamling	1
Skruenøgle	1
Unbrakonøgle	1
Bøsning	1
Brugervejledning	1

SAMLING

⚠ ADVARSEL: Hvis der er dele, der er beskadigede eller mangler, anvendes apparatet ikke, før delene er udskiftet. Brug af dette produkt med beskadigede eller manglende dele kan medføre alvorlig personskaade.

⚠ ADVARSEL: Forsøg ikke at ændre dette produkt eller fremstille tilbehør, der ikke anbefales til brug med denne maskine. Enhver sådan ændring eller modifikation er misbrug og kan resultere i en farlig situation og føre til eventuel alvorlig personskaade.

⚠ ADVARSEL: For at forebygge utilsigtet start, der kunne forårsage alvorlig personskaade, skal man altid tage batteriets stik ud af stikdåsen, når der monteres dele.

DK

UDSKIFT TRIMMERHOVEDET MED DREJEKLIP-HOVEDET

- Hold din kantklipper/buskrydder og brug unbrakonøglen til at fjerne trimmerskærmen, trimmerhovedet og gearkassen fra drivakslen (fig. B1-B3). Drivakslen skal bruges til senere samling af DREJEKLIP-enheden.
- Tag din DREJEKLIP ud af emballagen, løs de to Skrue 1# og hold dem på fastgørelsespladen. Løs og fjern Skrue 2# på fastgørelsespladen. (fig. B4)

B-1	Skrue 1#	B-3	Fastgørelsespladen
B-2	Skrue 2#		

- Sæt derefter DREJEKLIP-hovedet på drivakslen, som du fjernede i trin 1. Sørg for at hullet til B-2-skruen passer med hullet på drivakslen (fig. B5).
- Sæt først B-2-skruen i og spænd den, og spænd derefter de to skrue i B-1 (fig. B6).
- Tag DREJEKLIP-skærmen ud af emballagen, og løs de to bolte på skærmen. Fjern de to bolte og spændeskiver fra skærmen og vend dem om (fig. B7).
- Løft DREJEKLIP-hovedet, og vend det nedad. Sørg for, at de to monteringshuller i skærmen passer med de to samlingshuller på DREJEKLIP-enhedens fastgørelsesplade. Sørg for, at skærmen vender i samme retning, som vist på billedet nedenfor, men buen omkring skæretænderne. (fig. B8).
- Brug unbrakonøglen til, at låse skærmen på plads.
- Tag skeden af kniven inden brug.

BETJENING

⚠ ADVARSEL: Lad ikke fortrolighed med dette produkt gøre dig skødesløs. Husk på, at det kan føre til alvorlige skader, hvis du ikke er opmærksom i blot et sekund.

⚠ ADVARSEL: Bær altid sikkerhedsbriller samt høreværn. Hvis disse ikke bruges, kan du få genstande slynget i øjnene, og der kan også opstå andre alvorlige skader.

⚠ ADVARSEL: Anvend ikke tilbehør eller påmonteringer, der ikke anbefales af fabrikanten af dette produkt. Brug af tilbehør eller påmonteringer, der ikke anbefales, kan forårsage alvorlig personskade.

⚠ ADVARSEL: For at undgå alvorlig personskade, skal batteriet afbrydes fra værktøjet før service, rengøring, udskiftning af påmonteringer, eller før der fjernes noget fra apparatet.

Du kan bruge dette produkt til de formål, der er nævnt nedenfor:

Klipning: bruges til at klippe græsset omkring pinde eller beskyttelsesskinner, vægkanter, vejkanter, hegn i løbende trafik, eller til beskæring af plantevækst på parkeringspladser.

BEMÆRK: Når du bruger DREJEKLIP, skal du sørge for at der ikke slynges genstande rundt, som kan medføre stærke risici: ødelagte vinduer, bulede køretøjer, ødelagte hegn, revet træbark eller personskader.

SÅDAN TILSLUTTES/AFBRYDES BATTERISTRØMMEN (fig. C)

Lad batteriet helt op inden første brug.

Sørg for at ▲ på stikket passer med ▲ på maskinen. Sæt stikket i maskinen, indtil den grønne forsejling forsvinder helt ind i stikkontakten.

For at afbryde batteristrømmen, skal du blot afbryde det, ved at holde i det og trække bagud.

SÅDAN STARTES/STOPPES VÆRKTØJET (PÅ STX3800 & BCX3800)

Se afsnittet "SÅDAN STARTES/STOPPES VÆRKTØJET" i brugervejledningen til STX3800/BCX3800.

SÅDAN BRUGES VÆRKTØJET

⚠ ADVARSEL: For at undgå alvorlig personskade bæres altid beskyttelsesbriller eller sikkerhedsbriller, når denne enhed betjenes. Brug en ansigtsmaske eller støvmaske, hvor der er støvet.

Ryd op i området, hvor der skal klippes, før hver brug. Fjern alle genstande, såsom sten, glasskår, søm, tråd, eller linje, der kan slynges eller blive viklet ind i trimmerdelen. Få børn, tilskuere og kæledyr væk fra området. Hold alle børn, omkringstående og kæledyr mindst 15 m væk. Tilskuere kan stadig være i fare for at blive ramt af genstande, der slynges ud. Omkringstående bør opfordres til at bære øjenbeskyttelse. Hvis nogen nærmer sig, så stop straks motoren og trimmerdelen.

Før hver anvendelse undersøges for skader / slidte dele

Tjek DREJEKLIP-hovedet, skærmen og bøjlehåndtag, og udskift de dele, der er revnede, skæve, bøjedede eller på nogen måde beskadigede.

⚠ ADVARSEL: Brug altid handsker ved montering af skærmen eller ved servicering af kniven. Vær forsigtig med kniven, og beskyt din hånd mod at blive skåret.

Efter hver brug rengøres værktøjet.

⚠ ADVARSEL: Forhindringer i ventilationsåbningerne forhindrer luften i at komme ind i motorhuset og forårsager overophedning eller beskadigelse af motoren.

- Brug kun mild sæbe og en fugtig klud til at rengøre værktøjet. Lad aldrig væsker komme ind i værktøjet, nedsenk det aldrig i nogen form for væske.
- Hold altid lufthuller i motorhuset fri for snavs og skidt.

VEDLIGEHOLDELSE

⚠ ADVARSEL: Ved service må der kun bruges originale reservedele. Efterse og vedligehold værktøjet regelmæssigt. For at sikre sikkerhed og pålidelighed, bør alle reparationer udføres af en kvalificeret servicetekniker.

⚠ ADVARSEL: Batteridrevne værktøjer behøver ikke at være tilsluttet en stikkontakt, og derfor er de altid driftsklar. Tag ekstra forholdsregler og udvis forsigtighed, når du udfører vedligeholdelse, service eller skal skifte kultivator-tilbehøret eller andet tilbehør.

⚠ ADVARSEL: For at undgå alvorlig personskade fjernes batteripakken fra værktøjet før service, rengøring, udskiftning af påmonteringer, eller før der fjernes materiale fra apparatet.

UDSKIFTNING AF DREJEKLIP-KLINGEN

⚠ ADVARSEL: Hvis klingen bliver løs, efter den er fastgjort eller hvis den er slidt ned, skal den straks udskiftes. Brug aldrig et værktøj med en løs eller ineffektiv skæredel.

Gør dig bekendt med DREJEKLIP-hovedet, som vist på fig. D1.

D-1	Akselkop	D-5	Spændeskive
D-2	Øverste klinge	D-6	Drejekop
D-3	Nederste klinge	D-7	Møtrik
D-4	Støttekop		

- Placer DREJEKLIP-hovedets gearkasse mod en solid overflade. Hold i øvre og nedre klinge med en tang eller i en skruestik, og brug derefter nøglen til at løsne møtrikken (fig. D2).
 - Fjern møtrikken, drejekoppen, spændeskiven, støttekoppen, nedre og øvre klinge og akselkoppen i rækkefølgen, der er vist i fig. D1.
 - Sæt akselkoppen på akslen, inden nye klinger sættes på (fig. D3). Sæt den øvre klinge med det store sekskantede hul på akslen med »EGO« logoet vendende mod gearkassen (fig. D4). Sæt derefter den nedre klinge med det lille sekskantede hul på akslen med »EGO« siden vendende mod brugeren (fig. D5).
- BEMÆRK:** Sørg for, at det sekskantede hul på begge klinger og den sekskantede aksel passer sammen. Hvis klingerne sættes omvendt på, virker din DREJEKLIP ikke ordentligt og det kan beskadige klingerne.
- Følg rækkefølgen vist i fig. D1 for at samle dem igen.

SMØRING AF GEARKASSEN

For optimal drift og længere levetid, skal du smøre gearkassen med en særlig slags fedt (4-5 g. hver gang) efter hver 50 timers brug.

Det særlige fedt, skal opfylde følgende krav.

- Tilhører DIN51818: NLGI-1-kegle indtrængningsgrad.
- Esterbaseret fedt.
- Fremragende start i lave temperaturer, EP, mekanisk forskydning, slidstærk og oxidative stabilitetsegenskaber.
- Driftstemperaturen skal være inden for -40 ~ 180 °C. Fjern lukkeskruen. Fyld fedtet i gearkassen gennem oliehuset.

⚠ ADVARSEL: Smør ikke, når værktøjet stadig er forbundet til batteriet eller hvis det kører.

RENGØRING AF APPARATET

- Rengør apparatet med en fugtig klud med et mildt rengøringsmiddel.
- Brug ikke stærke rengøringsmidler på plastkabinettet eller -håndtaget. De kan tage skade af visse aromatiske olier, såsom fyr og citron, og opløsningsmidler såsom petroleum. Fugt kan også give elektrisk stød. Tør al fugt af med en blød tør klud.

OPBEVARING AF APPARATET

- Tag batteripakken ud af værktøjet, når det ikke er i brug.
- Rengør værktøjet grundigt, før det lægges væk.
- Opbevar apparatet på et tørt og godt ventileret sted, der er låst og utilgængeligt for børn. Opbevar ikke apparatet på eller ved siden af gødning, benzin eller andre kemikalier.
- Brug af en transportskærm til metalklinger under transport og opbevaring.

Beskyttelse af miljøet



WEEE (Bortskaffelse af elektrisk og elektronisk udstyr)

Elektrisk udstyr, batterioplader og batterier må ikke smides ud sammen med almindelig husholdningsaffald! Tag dette produkt til en autoriseret genbrugsplads, og sørg for at det sendes til genbrug. Elektriske værktøjer skal returneres til et miljøkompatibelt genvindingsanlæg.

DK

FEJLFINDING

PROBLEM	ÅRSAG	LØSNING
DREJEKLIP-enheden starter ikke..	<ul style="list-style-type: none">▪ Batteripakken er ikke ordentlig forbundet i motordelen.▪ Batteriet er afladet.▪ Låsehåndtag og startknappen er ikke blevet trykket ned samtidigt.	<ul style="list-style-type: none">▪ Sørg for, at batteripakken er forbundet til motordelen.▪ Oplad batteriet med de opladere fra EGO, der er anført i denne vejledning.▪ Tryk låsehåndtaget ned, og hold det nede. Tryk derefter på startknappen for at starte værktøjet.
DREJEKLIP-enheden stopper under drift.	<ul style="list-style-type: none">▪ Motoren er overbelastet.▪ Batteripakken er for varm.▪ Batteripakken er taget af værktøjet	<ul style="list-style-type: none">▪ Motoren vil begynde at køre igen, når belastningen ophører. Ved konstant drift, skal du reducere belastningen på DREJEKLIP-enheden og undgå at grave for dybt for hurtigt. Grav i stedet gradvist ned.▪ Lad batteripakken køle af naturligt, eller blæs den med kølig luft, for at køle den ned hurtigere.▪ Sæt batteripakken i igen.

DK

GARANTI

EGO GARANTI POLITIK

Besøg venligst hjemmesiden egopowerplus.com for fuldstændige vilkår og betingelser for EGO's garantipolitik.

LÄS IGENOM ALLA INSTRUKTIONER!



LÄS IGENOM BRUKSANVISNINGEN

⚠ Dolda risker! Personer med elektroniska enheter såsom pacemaker skall rådfråga sin läkare innan denna produkt används. Användning av elektronisk utrustning i närheten av en pacemaker kan orsaka störningar eller fel på pacemakern.

⚠ WARNING: För att garantera säkerheten och pålitligheten skall alla reparationer och utbyten utföras av en kvalificerad servicetekniker.

SÄKERHETSSYMBOL

Syftet med säkerhetssymboler är att uppmärksamma eventuella faror. Säkerhetssymbolerna och förklaringarna av dessa kräver din fullständiga uppmärksamhet och förståelse. Symbolvarningarna i sig eliminerar inte några faror. Instruktionerna och varningarna som ges är inte något substitut för korrekta åtgärder för förhindrande av olyckor.

⚠ WARNING: Var noga med att läsa och förstå alla säkerhetsinstruktioner i denna bruksanvisning, inklusive alla varningssymboler som t.ex. "FARA!", "WARNING!" och "FÖRSIKTIGHET!" innan du använder detta verktyg. Underlåtenhet att läsa alla instruktioner som listas nedan kan resultera i elektrisk stöt, brand och/eller allvarlig personskada.

SYMBOLBETYDELSE

⚠ SÄKERHETSLARMSYMBOL: Indikerar FARA, VARNING ELLER FÖRSIKTIGHET, kan användas tillsammans med andra symboler eller bilder.





⚠ WARNING: Användning av något elverktyg kan resultera i att främmande föremål kastas in i dina ögon vilket kan resultera i allvarliga ögonskador. Innan elverktyget börjar användas skall alltid skyddsglasögon eller skyddsglasögon med sidoskydd och full ansiktsskydd användas när så behövs. Vi rekommenderar att en ansiktsmask med brett synfält används ovanpå glasögonen eller standard skyddsglasögon med sidoskydd.

SÄKERHETSINSTRUKTIONER

Denna sida framställer och beskriver säkerhetssymboler som kan visas på denna produkt. Läs igenom, förstå och följ alla instruktioner på maskinen innan försök görs att montera och hantera den.

	Säkerhetslarm	Åtgärder som involverar din säkerhet.
	Läs igenom bruksanvisningen	För att minska risker för skador måste användare läsa igenom och förstå bruksanvisningen innan denna produkt används.
	Använd ögonskydd	Använd alltid skyddsglasögon eller säkerhetsglasögon med sidoskydd och en full ansiktsmask när denna produkt används.
	Använd hörselskydd	Använd alltid hörselskydd när denna produkt används.
	Använd skyddshjälm	Använd en godkänd skyddshjälm för att skydda huvudet.
	Använd skyddshandskar	Skydda dina händer med handskar när bladen eller bladskyddet hanteras.
	Använd skyddsskor	Använd halkfria skyddsskor vid användning av denna utrustning.
	Var försiktig med maskinens kastbenägenhet	Varna användaren för faran med maskinens kastbenägenhet.
	Rikoschett och håll åskådare på avstånd	Föremål som slungas ut kan studsas och orsaka skador på person eller egendom. Se till att övriga personer och husdjur hålls på avstånd från buskskäraren när den används.
	Håll åskådare på avstånd	Se till att andra personer och husdjur befinner sig minst 15 m från trätrimmen när den används.
	Inga runda skärblad	Montera inte runda skärblad.

SE

	WEEE	Förbrukade elektriska produkter får inte kastas i hushållssoporna. Lämna in dem till en auktoriserad återvinningsstation.
	Buller	Garanterad ljudeffektnivå. Bulleremissioner för omgivningen enligt EU-direktivet.
	CE	Denna produkt är i enlighet med gällande EC-direktiv.
V	Volt	Spänning
n_0	Tomgångshastighet	Rotationshastighet utan belastning
min^{-1}	Per minut	Varv per minut
	Likström	Typ eller karakteristik av ström
kg	Kilogram	Vikt

SE

VIKTIGA SÄKERHETSINSTRUKTIONER

⚠ VARNING: Läs igenom alla säkerhetsvarningar, instruktioner, illustrationer och specifikationer som medföljer detta motordrivna verktyg. Underlåtenhet att följa alla instruktioner som listas nedan kan resultera i elektriska stötar, brand och/eller allvariga personskador

Spara alla varningar och instruktioner för framtida referens

- Undvik farliga miljöer – Använd inte apparater i fuktiga eller våta sluttningar.
- Håll skydden på plats och i fungerande skick.
- Håll händer och fötter borta från skärområdet.
- Minska risken för personskador genom att aldrig använda en stege eller annat ostadigt stöd. Håll aldrig skärenheten ovanför midjehöjd.
- Kontrollera skärenheten med regelbundna och korta intervaller och kontrollera den omedelbart om du upplever en märkbar förändring av beskärningen.
- Du får bäst resultat om du ser till att batteriet laddas på en plats där temperaturen är över 5°C och under 40°C. Förvara inte utomhus eller i fordon.
- Om någon närmar sig dig ska du stoppa motorn och skärenheten.

- Varna användaren för faran med maskinens kastbenägenhet.
- Maskinens kastbenägenhet inträffar när det snurrande skärbladet får kontakt med ett objekt som inte kapas omedelbart.
- Maskinens kastbenägenhet kan vara kraftigt nog för att flytta på enheten och/eller användaren i någon riktning, vilket kan leda till att kontrollen över enheten tappas.
- Maskinens kastbenägenhet kan inträffa utan förvarning om bladet fastnar, stannar eller binds fast.
- Det är större risk för maskinens kastbenägenhet i områden där det är svårt att se materialet som beskärs.
- Montera inte skärbladet på en enhet utan korrekt installation av alla nödvändiga delar. Underlåtenhet att använda korrekta delar kan få skärbladet att flyga av och allvarligt skada användaren och/eller åskådare. Kasserat skärblad som är böjda, skeva, spruckna, trasiga eller skadade på något sätt. Använd ett vasst blad. Det är större risk för att ett slött skärblad fastnar och kastas.
- Ett fritt roterande skärblad/-tråd kan orsaka personskador när det fortsätter snurra efter att motorn stoppats eller gasreglaget släppts upp. Upprätthåll lämplig kontroll över apparaten tills skärbladet/-tråden har stannat fullständigt.
- Batteridrivna verktyg behöver inte vara anslutna till ett eluttag och är därför alltid redo för användning. Var medveten om eventuella faror även när verktyget inte är igång. Var försiktig när du utför underhåll eller service.
- Tvätta inte av den med en slang; låt inte vatten tränga in i motorn och de elektriska anslutningarna.
- Om en situation som inte beskrivs i bruksanvisningen uppstår, använd försiktighet och gott omdöme. Kontakta EGO kundservice för hjälp.

SPARA DESSA INSTRUKTIONER!

SPECIFIKATIONER

Ingen belastningshastighet	Upp till 450/min
Skärblad	ABR2300
Rekommenderad användningstemperatur	0°C-40°C
Rekommenderad förvaringstemperatur	-20°C-70°C

Optimal laddningstemperatur	5°C-40°C	
Vikt	1,9 kg	
Uppmätt ljudeffektnivå L_{WA}	96,1 dB(A) K = 3,8 dB (A)	
Ljudtrycksnivå vid operatörens öra L_{PA}	83,2 dB(A) K = 2,5 dB(A)	
Garanterad ljudeffektnivå L_{WA} (mätt enligt 2000/14/EG)	100 dB(A)	
Värdering av vibration a_h :	Maskin	Med STX3800
	Vänster handtag	0,7 m/s ²
		Höger handtag
	Med BCX3800	0,6 m/s ² K = 1,5 m/s ²

- Det deklarerade totala vibrationsvärdet har uppmätts i enlighet med en standardtestmetod och kan användas för att jämföra ett verktyg med ett annat.
- Det deklarerade totala vibrationsvärdet kan också användas i en preliminär utvärdering av exponeringen.

OBS! Vibrationsutstrålningen under verklig användning av elverktyg kan skilja sig från det deklarerade värdet i vilken verktyget används. För att skydda användaren skall skyddshandskar och hörselskydd användas under faktiska användningsförhållandet.

BESKRIVNING

LÄR KÄNNA DIN ROTORSKÄRARE (bild A)

1. Tätningsskruv
2. Växelhus
3. Blad
4. Slida för skärblad
5. Skyddsenshet
6. Skiftnyckel
7. Insexnyckel
8. Bussning (för användning med 25mm diameter rör)

PACKLISTA

ARTIKELNAMN	KVANTITET
ROTORSKÄRARE	1
Skyddsenshet	1

Skiftnyckel	1
Insexnyckel	1
Bussning	1
Bruksanvisning	1

MONTERING

⚠ VARNING: Om någon del är skadad eller saknas skall inte denna produkt användas innan delarna ersatts. Användning av denna produkt om den är skadad eller saknar delar kan resultera i allvarliga personsador.

⚠ VARNING: Försök inte att modifiera denna produkt eller skapa tillbehör som inte rekommenderas för användning med denna maskin. Alla sådana ändringar eller modifieringar är missbruk och kan resultera i allvarliga situationer som kan leda till allvarliga personsador.

⚠ VARNING: För att förhindra oavsiktlig start som kan orsaka allvarliga personsador, koppla alltid ur batterikontakten från uttaget vid montering av delar.

BYTA UT TRIMMERHUVUDET MOT ROTORSKÄRARHUVUDET

1. Håll trådtrimmern/borstskäraren och använd insexnyckeln för att ta bort trimmerskyddet, trimmerhuvudet och växellådshöljet från drivaxeln (bild B1-B3). Drivaxeln skall användas för montering av ROTORSKÄRAREN senare.
2. Ta bort ROTORSKÄRAREN från förpackningen, lossa de två skruvarna 1# och håll kvar dem på fästplattan, lossa och ta bort skruv 2# från fästplattan. (bild B4)

B-1	Skruv 1#	B-3	Fästplattan
B-2	Skruv 2#		

3. Sätt sedan in ROTORSKÄRAR-huvudet på axeln som togs bort i steg 1, se till att hålen på B-2 skruven är i linje med hålen på drivaxeln (bild B5).
4. Sätt in B-2 skruven först och dra åt den och dra sedan åt skruvarna B-1 (bild B6).
5. Ta bort ROTORSKÄRAR-skyddet från förpackningen och lossa de två bultarna på skyddet. Ta bort och spara den två bultarna och fjäderbrickorna från skyddet (bild B7).

- Lyft upp ROTORSKÄRAR-huvudet och rikta det neråt. Rikta in de två monteringshål i skyddet mot de två monteringshål i ROTORSKÄRARENS fästplatta. Se till att skyddet är inriktat såsom i bilden nedan, bågformen runt skärtanden. (bild B8).
- Använd insexnyckeln för att låsa skyddet på plats.
- Ta bort bladskyddet från bladet under användningen.

ANVÄNDNING

⚠ VARNING: Bli inte vårdslös bara för att du är bekant med denna produkt. Kom ihåg att oaksamhet under en bråkdel av en sekund är tillräcklig för att orsaka allvarliga skador.

⚠ VARNING: Använd alltid ögonskydd, tillsammans med hörselskydd. Om inte så görs kan det resultera i att föremål kastas in i ögonen och andra möjliga allvarliga skador.

⚠ VARNING: Använd inga andra tillsatser eller tillbehör än de som rekommenderas av tillverkaren av denna produkt. Användning av tillbehör eller tillsatser som inte rekommenderas kan resultera i allvarlig personskada.

⚠ VARNING: För att förhindra allvarliga personskador, ta ut batteripaketet före service, rengöring, ändring av tillbehör eller borttagning av material från enheten.

Du kan använda denna produkt för de tillämpningar som listas nedan:

Klippning: använd för klippning av gräs runt stolpar eller skyddsskenor, väggar, vägbrunnar, staket på trafikerade vägar eller trimning av vegetation på parkeringsplatser.

NOTERA: När ROTORSKÄRAREN används, se till att inga främmande föremål kastas iväg som kan utgöra en risk för personer, trasiga fönster, buckla bilar, slitsa staket, riva los trädbark eller orsaka personskador.

ANSLUTNING/FRÅNKOPPLING AV BATTERISTRÖM (bild C)

Ladda fullt innan första användning.

Rikta in ▲ på kontakten mot ▲ på maskinen. För in kontakten i maskinen tills den gröna förseglingen inte längre syns i uttaget.

För att koppla bort batteriströmmen, koppla loss den genom att hålla i den och dra bakåt.

STARTA/STOPPA VERKTYGET (FÖR STX3800 och BCX3800)

Se sektionen "STARTA OCH STOPPA TRÅDTRIMMEN/BUSKSKÄRAREN" i STX3800/BCX3800 bruksanvisning.

ANVÄNDA VERKTYGET

⚠ VARNING: För att undvika allvarliga personskador, använd alltid ögonskydd eller skyddsglasögon vid användning av denna enhet. Använd en ansikts- eller dammask på dammiga platser.

Rensa området som ska beskåras före varje användning. Ta bort alla objekt som t.ex. stenar, krossat glas, spikar, trådar eller ledningar som kan slungas ut eller trasslas in i skärenheten. Se till att inga barn, åskådare eller husdjur är inom området. Håll alla barn, åskådare och husdjur minst 15 meter bort. Det kan fortfarande finnas en risk att föremål slungas mot åskådare. Uppmana åskådare att använda skyddsglasögon. Om någon närmar sig dig, stoppa omedelbart motorn och skärenheten.

Kontrollera efter skadade/slitna delar före varje användning.

Kontrollera ROTORSKÄRAR-huvudet, skyddet och loop-handtaget och byt ut delar som är spruckna, skeva, böjda eller skadade på något sätt.

⚠ VARNING: Använd alltid handskar vid montering av skyddet eller vässning eller utbyte av skärbladet. Var försiktig med skärbladet och skydda din hand från skärskador.

Rengör verktyget efter varje användning.

⚠ FÖRSIKTIGHET: Om ventilerna blockeras förhindras luften från att flöda in i motorhöljet, vilket kan resultera i överhettning eller skada på motorn.

- Använd endast mild tvål och en fuktad trasa för att rengöra verktyget. Låt aldrig någon vätska komma in i verktyget; sänk aldrig ner någon del av verktyget i en vätska.
- Håll alltid luftventilerna på motorhöljet fria från skräp.

UNDERHÅLL

⚠ VARNING: Vid service ska enbart identiska utbyteskomponenter användas. Inspektera och underhåll verktyget regelbundet. För att garantera en säker och pålitlig användning måste alla reparationer utföras av en kvalificerad servicetekniker.

⚠ VARNING: Batteridrivna verktyg behöver inte vara anslutna till ett eluttag och är därför alltid redo för användning. För att förhindra allvarliga personskador, vidta extra försiktighet och omsorg vid underhåll, service eller när skärenhet eller andra tillbehör byts ut.

⚠ VARNING: För att förhindra allvarliga personskador koppla ifrån batteripaketet från verktyget vid service, rengöring, ändring av extratillbehör eller borttagning av material från enheten.

BYTA ROTORSKÄRARBLADET

⚠ VARNING: Om bladet lossnar efter att det satts på plats eller om bladet är kraftigt slitet, byt omedelbart bladet. Använd aldrig en trimmer med löst eller ineffektivt skärtilbehör.

Lär känna ROTORSKÄRAR-huvudet såsom bild D1 visar.

D-1	Axelkopp	D-5	Bricka
D-2	Övre blad	D-6	Glidskål
D-3	Undre blad	D-7	Mutter
D-4	Stödkopp		

1. Placera växelhöljet för ROTORSKÄRAR-huvudet mot en fast yta. Kläm fast det över och nedre bladet med tvingar eller i ett skruvståd, använd sedan en skiftnyckel för att lossa muttern (bild D2).
2. Ta bort muttern, glidskålen, brickan, stödkoppen, nedre bladet, övre bladet och axelkoppen i sekvens såsom visas i bild D1.
3. Innan de nya bladen installeras, placera axelkoppen på axeln (bild D3). Placera det övre bladet med stora hexagonala hålet på axeln med ytan med skriften "EGO" logotypen riktad mot växellådshöljet (bild D4), placera sedan nedre bladet med lilla hexagonala hålet på axeln med ytan med skriften "EGO" logotypen riktad mot operatören (bild D5).

NOTERA: Se till att de hexagonala hålen på bladen och hexagon axeln passar på plats. I annat fall om bladen monteras i motsatt ordning kan inte ROTORSKÄRAREN arbeta korrekt och kommer att skada bladen.

4. Följ sekvensen som visas i bild D1 för att återmontera dem.

SMÖRJ IN VÄXELLÅDSHÖLJET

För bästa drift och längre livslängd, smörj växellådshöljet med specialfett (4-5g varje gång) efter var 50:e timmes drift.

Specialfettet skall uppfylla följande krav.

1. Tillhör DIN51818: NLGI-1 konpenetreringsgrad.
2. Esterbaserat fett.
3. Excellent lågtemperaturstart, EP, mekanisk skjvning, friktionsmotståndskraftig och oxideringsstabila egenskaper.
4. Drifttemperatur måste vara -40~180 °C. Ta bort tätningskruven. Fyll på fett i växelhöljet genom oljehålet.

⚠ VARNING: Smörj inte medan verktyget fortfarande är anslutet till batteriet eller körs.

RENGÖRA ENHETEN

- Rengör enheten med en fuktad trasa och ett mildt rengöringsmedel.
- Använd inte starka rengöringsmedel på plasthöljet eller handtaget. De kan skadas av vissa aromatiska oljor som t.ex. tall och citron, samt av lösningsmedel som t.ex. fotogen. Fukt kan även utgöra en risk för elektriska stötar. Torka bort fukt med en mjuk och torr trasa.

FÖRVARA ENHETEN

- Koppla ifrån batteriströmmen från verktyget när den inte används.
- Rengör verktyget noga innan förvaring.
- Förvara enheten på en torr, välventilerad plats, inlåst eller högt upp, utom räckhåll för barn. Förvara inte enheten på eller i anslutning till gödningsmedel, bensin eller andra kemikalier.
- Använd ett transportskydd för metallskärbladen vid transport och förvaring.

Skydda miljön



WEEE (Waste Electrical and Electronic Equipment)

Kasta inte elektrisk utrustning, använt batteri och laddare i hushållssoporna! Ta denna produkt till en auktoriserad återvinnare och gör den tillgänglig för separat insamling. Elektriska verktyg måste returneras till en miljöanpassad återvinningsanläggning.

SE

FELSÖKNING

PROBLEM	ORSAK	LÖSNING
ROTORSKÄRAREN startar inte..	<ul style="list-style-type: none">■ Batteripaketet är inte korrekt anslutet till motorenheten.■ Batteriet är helt tomt.■ Startspärren och avtryckaren trycks inte in samtidigt.	<ul style="list-style-type: none">■ Anslut batteripaketet till motorenheten.■ Ladda batteripaketet med en EGO-laddare som listas i denna bruksanvisning.■ Tryck in startspärren och håll den nertryckt, tryck sedan in avtryckaren för att slå på enheten.
ROTORSKÄRAREN stoppas vid beskärning.	<ul style="list-style-type: none">■ Motorn är överbelastad.■ Batteripaketet är för varmt.■ Batteripaketet är fränkopplat från verktyget.	<ul style="list-style-type: none">■ Motorn hämtar igen sig när belastningen har tagits bort. För kontinuerligt arbete bör du minska belastningen på ROTORSKÄRAREN och undvika djup bearbetning, gör istället progressivt djupare nedskärningar.■ Låt batteripaketet svalna naturligt eller använd luftblås för att skynda på kylningen.■ Återanslut batteripaketet.

SE

GARANTI

EGO GARANTIPOLICY

Besök webbsidan egopowerplus.com för fullständiga villkor för EGO garantipolicy.

LUE KAIKKI OHJEET!



LUE KÄYTTÖOPAS

⚠ Jäännösriski! Henkilöiden, joilla on sydämentahdistin tai muu vastaava elektroninen laite, tulisi keskustella lääkärin kanssa ennen tämän tuotteen käyttöä. Sähkölaitteiden käyttö sydämentahdistimen lähetyksillä saattaa häiritä tahdistimen toimintaa tai aiheuttaa vakavan toimintahäiriön.

⚠ VAROITUS: Anna asiantuntevan huoltoteknikon tehdä kaikki korjaukset ja osien vaihdot, jotta laite on varmasti turvallinen ja luotettava.

TURVALLISUUSSYMBOLIT

Turvallisuussymbolien tarkoituksena on kiinnittää huomiota mahdollisiin vaaroihin. Turvallisuussymbolit ja niiden selitykset on syytä lukea tarkkaan ja ymmärtää perusteellisesti. Varoitusymbolit eivät yksin poista vaaran mahdollisuutta. Niiden antamat ohjeet ja varoitukset eivät korvaa kunnollisia onnettomuuksien ehkäisytoimenpiteitä.

⚠ VAROITUS: Lue ja ymmärrä tämän käyttöoppaan kaikki turvallisuusohjeet, mukaan lukien kaikki turvallisuusvaroitusymbolit, kuten **”VAARA”**, **”VAROITUS”** ja **”HUOMIO”** ennen laitteen käyttämistä. Alla olevien ohjeiden noudattamatta jättäminen saattaa aiheuttaa sähköiskun, tulipalon ja/tai vakavan henkilökohtaisen vamman.

SYMBOLIEN MERKITYKSET

⚠ TURVALLISUUSHÄLYTYKSEN SYMBOLI: Ilmaisee **VAARAA**, **VAROITUSTA** tai **HUOMIOTA**, voidaan käyttää muiden symboleiden tai kuvamerkkien yhteydessä.

⚠ VAROITUS: Minkä tahansa sähkötyökalun käyttö saattaa aiheuttaa vierasesineiden sinkoutumisen silmiin, mikä voi aiheuttaa vakavia silmävammoja. Käytä aina suojalaseja, joissa on sivusuojat, ja tarvittaessa koko kasvat peittävää suojaa, kun käytät sähkötyökaluja. Silmälasien päällä suosittelemme käytettäväksi suojamaskia, jossa on laaja näkökenttä, tai tavallisia suojalaseja, joissa on sivusuojat.

TURVALLISUUSOHJEET

Tällä sivulla kuvataan ja esitellään turvallisuussymbolit, jotka saattavat esiintyä tässä tuotteessa. Lue, ymmärrä

ja noudata kaikkia laitteen ohjeita ennen kuin yrität koota sen tai käyttää sitä.

	Turvallisuushälytys	Varoimet, jotka liittyvät turvallisuuteesi.
	Lue käyttöopas	Käyttäjän on luettava ja ymmärrettävä käyttöopas ennen tämän laitteen käyttöä loukkaantumisaaran vähentämiseksi.
	Käytä silmäsuojaimia	Käytä aina suojalaseja, joissa on sivusuojat, ja koko kasvat peittävää suojaa, kun käytät laitetta.
	Käytä kuulosuojaimia	Käytä aina kuulosuojaimia, kun käytät laitetta.
	Käytä suojakypärää	Käytä hyväksytyä suojakypärää suojataksesi pääsi.
	Käytä suojakäsineitä	Käytä suojakäsineitä, kun käsittelet terää tai terän suojusta.
	Käytä turvajalkineita	Käytä luistamattomia turvajalkineita varusteen käytön aikana.
	Varo terän työntövoimaa	Varoita käyttäjää terän takaiskun vaarallisuudesta.
	Kimpoamisvaara, pidä sivulliset etäällä	Sinkoutuvat esineet voivat kimmota ja aiheuttaa henkilö- tai omaisuusvahingon. Varmista, että muut ihmiset ja lemmikit ovat etäällä pensasleikkurista, kun se on käytössä.
	Pidä sivulliset loitolla	Varmista, että muut ihmiset ja lemmikkieläimet ovat vähintään 15 m päässä siemaleikkurista, kun se on käytössä.
	Ei pyöreää terää	Älä asenna siihen pyöreitä teriä.

FI

	WEEE	Vanhoja sähkölaitteita ei saa hävittää kotitalousjätteen mukana. Vie laite valtuutettuun kierrätyslaitokseen.
	Melu	Taattu äänitehotaso. Melupäästöt ympäristöön Euroopan yhteisön direktiivin mukaiset
	CE	Tämä tuote vastaa sovellettavia EU-direktiivejä.
V	Voltti	Jännite
n ₀	Tyhjäkäyntinopeus	Pyörimisnopeus ilman kuormaa
min ⁻¹	per minuutti	Kierrosta minuutissa
	Tasavirta	Virran tyyppi tai ominaisuus
kg	Kilogramma	Paino

FI

TÄRKEITÄ TURVALLISUUSOHJEITA

VAROITUS: Lue kaikki tämän sähkötyökalun mukana tulleet turvallisuusvaroitukset, ohjeet, piirustukset ja tekniset tiedot. Jos kaikkia alla olevia ohjeita ei noudateta, seurauksena saattaa olla sähköisku, tulipalo ja/tai vakava loukkaantuminen.

Säilytä kaikki varoitukset ja ohjeet myöhempiä käyttöä varten.

- Vältä vaarallisia olosuhteita – älä käytä laitteita kosteissa tai märissä rinteissä.
- Pidä suojat paikallaan ja toimintakuntoisina.
- Pidä kätesi ja jalkasi etäällä leikkuualueelta.
- Loukkaantumiswaaran vähentämiseksi älä työskentele tikkailla tai muilla epävakailta alustoilla. Älä pidä leikkaavaa osaa vyötärön tasoa korkeammalla.
- Tarkasta leikkaava osa tasaisin väliajoin käytön aikana tai heti, jos laitteen leikkuuteho muuttuu merkittävästi.
- Parhaan tuloksen saat, kun akku ladataan tilassa, jonka lämpötila on yli 5°C, mutta alle 40°C. Älä säilytä ulkona tai ajoneuvoissa.
- Jos joku lähestyy sinua, sammuta moottori ja leikkuulaite.

- **Varoita käyttäjää terän takaiskun vaarallisuudesta.**
- Takapotku saattaa tapahtua, kun pyörivä terä osuu kohteeseen, joka ei heti katkea.
- Terän takapotku voi olla niin voimakas, että laite ja/tai käyttäjä lennähtävät mihin tahansa suuntaan ja käyttäjä voi menettää laitteen hallinnan.
- Terän takapotku tapahtuu ilman varoitusta, jos terä jää kiinni ja pysähtyy.
- Terän takapotku tapahtuu usein alueilla, joissa leikattavaa materiaalia on vaikea nähdä.
- **Älä kiinnitä terää laitteeseen, ellei kaikkia tarvittavia osia ole kiinnitetty kunnolla. Kunnollisten osien käytön laiminlyönti voi aiheuttaa terän sinkoutumisen irti ja aiheuttaa vakavan henkilövahingon käyttäjälle ja/tai sivullisille. Hävitä taipuneet, vääntyneet, murtuneet, rikkoutuneet tai muulla tavalla vaurioituneet terät. Käytä terävää terää, tylsä terä jää kiinni helpommin ja aiheuttaa takapotkun.**
- Liikkuva terä/siima voi aiheuttaa henkilövahingon, koska se voi jatkaa pyörimistä moottorin sammuttamisen tai liipaisimen vapauttamisen jälkeen. Pidä työkalu kunnolla hallinnassa, kunnes terä/siima on täysin pysähtynyt.
- Akkutyökaluja ei tarvitse liittää sähköverkkoon. Tästä syystä ne ovat aina käyttökunnossa. Huomioi mahdolliset vaarat myös silloin, kun työkalu ei ole käynnissä. Ole varovainen tehdessäsi kunnossapito- tai huoltotoimenpiteitä.
- Älä puhdista letkulla; vältä veden pääsemistä moottoriin ja sähköliitäntöihin.
- Jos kohtaat tilanteen, jota ei tässä käyttöoppaassa käsitellä, toimi varoen ja käytä omaa harkintakykyäsi. Pyydä lisäohjeita EGO-asiakaspalvelusta.

SÄILYTÄ NÄMÄ OHJEET!

TEKNISET TIEDOT

Tyhjäkäyntinopeus	Enintään 450/min
Leikkuuterä	ABR2300
Suosittelut käyttölämpötila	0 °C–40 °C
Suosittelut säilytyslämpötila	-20 °C–70 °C
Ihanteellinen latauslämpötila	5 °C–40 °C
Paino	1,9 kg

Mitattu äänitehotaso L_{WA}	96,1 dB(A) K = 3,8 dB (A)		
Äänenpaineen taso käyttäjän korvien tasolla L_{PA}	83,2 dB(A) K = 2,5 dB(A)		
Taattu äänitehotaso L_{WA} (mitattu direktiivin 2000/14/EY mukaan)	100 dB(A)		
Tärinäarvo $a_{h,v}$:	Kone	STX3800 liitettynä	BCX3800 liitettynä
	Vasen kahva	0,7 m/s ²	0,6 m/s ²
	Oikea kahva	K = 1,5 m/s ²	K = 1,5 m/s ²

- Ilmoitettu tärinän kokonaispäästöarvo on mitattu standarditestausten mukaisesti, ja sen avulla voidaan vertailla työkaluja keskenään;
- Ilmoitettua tärinän kokonaispäästöarvoa voidaan käyttää myös altistumisen alustavaan arviointiin.

HUOMAA: Työkalun käytön aikana mitattu todellinen tärinäpäästöarvo voi poiketa ilmoitetusta kokonaispäästöarvosta työkalun käyttötavasta johtuen; käyttäjän suojaamiseksi tulee käyttää käsiineitä ja kuulosuojaimia varsinaisissa käyttöolosuhteissa.

KUVAUS

TUNNE PYÖRÖLEIKKURI (kuva A)

1. Tiivistysruuvi
2. Vaihteistokotelo
3. Terä
4. Teränsuojus
5. Suojuskokoonpano
6. Avain
7. Kuusioavain
8. Holkki (käyttö halkaisijaltaan 25 mm:n putken kanssa)

PAKKAUSLUETTELO

OSAN NIMI	MÄÄRÄ
PYÖRÖLEIKKURI	1
Suojuskokoonpano	1
Avain	1
Kuusioavain	1
Holkki	1
Käyttöopas	1

KOKOONPANO

VAROITUS: Jos jokin osa on vahingoittunut tai puuttuu, älä käytä tuotetta ennen kuin osat on vaihdettu. Tuotteen käyttö vioittuneilla tai puuttuvilla osilla voi aiheuttaa vakavan henkilövahingon.

VAROITUS: Älä yritä muuttaa tätä tuotetta tai käyttää siinä lisävarusteita, joita ei ole suunniteltu käytettäväksi tämän koneen kanssa. Mikä tahansa tällainen muokkaus tai muutos on väärinkäyttö ja saattaa aiheuttaa vaarallisen tilan, joka saattaa johtaa vakavaan henkilövammaan.

VAROITUS: Irrota akun liitin liitännästä aina, kun kokoat osia. Näin varmistat, ettei laite käynnisty vahingossa eikä aiheuta vakavia henkilövahinkoja.

TRIMMERIPÄÄN VAIHTAMINEN PYÖRÖLEIKKURIPÄÄHÄN

1. Pidä siimaleikkurista/pensasleikkurista kiinni ja poista kuusioavaimella siimaleikkurin suojuksen, leikkuripää ja vaihdekotelo käyttöakselista (kuvat B1–B3). Käyttöakselia käytetään PYÖRÖLEIKKURILIISÄOSAN kokoamiseen myöhemmin.
2. Poista PYÖRÖLEIKKURI pakkauksesta, löysää kaksi ruuvia nro 1 ja pidä ne kiinnityslevyssä, löysää ja poista ruuvi nro 2 kiinnityslevystä. (Kuva B4)

B-1	Ruuvi nro 1	B-3	Kiinnityslevy
B-2	Ruuvi nro 2		

3. Työnnä sitten PYÖRÖLEIKKURIN pää käyttöakseliin, joka poistettiin vaiheessa 1. Varmista, että B-2-ruuvien reikä on kohdistettu käyttöakselin reikään (kuva B5).
4. Työnnä B-2-ruuvi ensin ja kiristä se, kiristä sen jälkeen kaksi B-1-ruuvia (kuva B6).
5. Poista PYÖRÖLEIKKURIN suojuksen pakkauksesta ja löysää suojuksen kaksi pulttia. Poista ja säilytä suojuksen kaksi pulttia ja jousialuslevyt (kuva B7).
6. Nosta PYÖRÖLEIKKURIN pää ja aseta se alaspäin; kohdista suojuksen kaksi asennusreikää PYÖRÖLEIKKURIN kiinnityslevyn kahteen asennusreikään. Varmista, että suojuksen suunta on kuten alla olevassa kuvassa, kaarimuoto leikkuhampaiden ympärillä. (Kuva B8).
7. Lukitse suojuksen paikalleen kuusioavaimen avulla.
8. Poista teränsuojus terästä käytön ajaksi.

TOIMINTA

VAROITUS: Älä anna tämän laitteen tuttuuden tehdä sen käsittelystä huolimattonta. Muista, että sekunnin sadasosanakin huolimattomuus riittää vakavan vamman aiheutumiseen.

VAROITUS: Käytä aina suojalaseja ja kuulosuojaimia. Tämän ohjeen laiminlyöminen saattaa aiheuttaa esineiden sinkoutumisen silmiin ja mahdollisen vakavan henkilövahingon.

VAROITUS: Älä käytä lisälaitteita tai lisävarusteita, jos tämän tuotteen valmistaja ei ole suositellut niitä. Tällaisten lisävarusteiden tai apuvälineiden käyttö saattaa aiheuttaa vakavia henkilövahinkoja.

FI **VAROITUS:** Vakavan henkilövamman välttämiseksi työkalu on irrotettava akkuvirrasta ennen kuin huollat tai puhdistat sitä tai vaihdat siihen varusteita tai poistat materiaalia laitteesta.

Tätä laitetta voi käyttää seuraavassa mainittuihin tarkoituksiin:

Leikkaaminen: käytetään ruohon leikkaamiseen pylväiden tai suojakaiteiden ympäriltä, seinien vieriltä, jalkakäytävien reunoista, aitojen reunoilta tai kasvillisuuden leikkaamiseen pysäköintipaikoilta.

HUOMAA: Kun käytät PYÖRÖLEIKKURIA, varmista, ettei mitään vieraita esineitä pääse sinkoutumaan siitä. Se voisi aiheuttaa vakavan vaaran: rikkoa ikkunoita, kolhia autojen runkoja, hajottaa aitoja, repii kaarnaa puista tai aiheuttaa henkilövahingon.

AKKUVIRРАН YHDISTÄMINEN/IRROTTAMINEN (kuva C)

Lataa täyteen ennen ensimmäistä käyttökertaa.

Kohdistista pistokkeen ▲ koneen merkkiin ▲ Työnnä pistoke työkaluun, kunnes vihreä tiiviste häviää täysin liitäntään.

Katkaise akkuvirta irrottamalla pistoke vetämällä.

TYÖKALUN KÄYNNISTÄMINEN/PYSÄYTTÄMINEN (MALLIT STX3800 ja BCX3800)

Katso mallien STX3800/BCX3800 käyttöoppaista kohta "SIIMALEIKKURIN/PENSASLEIKKURIN KÄYNNISTÄMINEN/PYSÄYTTÄMINEN".

TYÖKALUN KÄYTTÄMINEN

VAROITUS: Vakavan henkilövamman välttämiseksi käytä aina suojalaseja, kun käytät laitetta. Käytä pölyisissä olosuhteissa hengityssuojainta.

Tyhjennä leikattava alue ennen jokaista käyttökertaa. Poista kaikki esineet, kuten kivet, rikkiäinen lasi, naulat, rautalanka tai narut, jotka saattavat lentää tai sotkeutua leikkurin osiin. Tyhjennä alue lapsista, sivullisista ja lemmikkieläimistä. Pidä lapset, sivulliset ja lemmikkieläimet vähintään 15 metrin päässä. Sinkoutuvat esineet voivat silti vielä aiheuttaa vaaraa sivullisille. Sivullisia tulee kannustaa pitämään suojalaseja. Jos joku lähestyy sinua, sammuta moottori ja leikkuulaite välittömästi.

Tarkasta ennen jokaista käyttöä vaurioituneiden/ kuluneiden osien varalta

Tarkasta PYÖRÖLEIKKURIN pää, suoja ja kaarikahva. Vaihda murtuneet, vääntyneet, taipuneet tai muulla tavoin vaurioituneet osat.

VAROITUS: Käytä aina käsineitä, kun kiinnität suojaa tai huollat terää. Varo terää ja suojaa kätesi leikkautumiselta.

Puhdista työkalu jokaisen käyttökerran jälkeen.

HUOMIO: Tukokset ilma-aukoissa estävät ilman virtaamisen moottorikehikkoon ja voivat aiheuttaa ylikuumentumista tai moottorin vahingoittumisen.

- Käytä työkalun puhdistuksessa vain mietoja pesuainetta ja kosteaa liinaa. Älä ikinä päästä vettä työkalun sisälle; älä koskaan upota mitään työkalun osaa nesteeseen.
- Pidä moottorikehikon ilma-aukot aina puhtaina irtoineksesta.

KUNNOSSAPITO

VAROITUS: Käytä huollon yhteydessä vain identtisiä varaosia. Tarkasta työkalu ja huolla sitä säännöllisesti. Pätevän huoltoteknikon tulee suorittaa kaikki korjaukset, jotta voidaan taata tuotteen turvallinen ja luotettava käyttö.

VAROITUS: Akkutyökaluja ei tarvitse liittää sähköverkkoon. Tästä syystä ne ovat aina käyttökunnossa. Vakavan henkilövahingon välttämiseksi ole erityisen varovainen, kun teet kunnossapitoa, huollat tai vaihdat leikkuuosia tai muita osia.

VAROITUS: Vakavan henkilövamman välttämiseksi poista akku työkalusta ennen kuin huollat tai puhdistat sitä tai vaihdat siihen lisäosia tai poistat materiaalia yksiköstä.

PYÖRÖLEIKKURIN TERÄN VAIHTAMINEN

VAROITUS: Jos terät irtoavat sen jälkeen kun ne on kiinnitetty paikoilleen, tai terät ovat pahoin kuluneet, vaihda terät välittömästi. Älä ikinä käytä työkalua, jonka leikkaava osa on löystynyt tai viallinen.

PYÖRÖLEIKKURIN pää kuten kuvassa D1.

D-1	Akselikuppi	D-5	Aluslevy
D-2	Yläterä	D-6	Liukumalja
D-3	Alaterä	D-7	Mutteri
D-4	Tukikuppi		

1. Aseta PYÖRÖLEIKKURIN pään vaihekotelo kiinteää pintaa vasten. Kiinnitä ylä- ja alaterät pihdeillä tai ruuvipenkkiin, käytä sitten avainta ja löysää mutteri (kuva D2).
2. Poista mutteri, liukumalja, aluslevy, tukikuppi, alaterä, yläterä ja akselikuppi järjestyksessä, kuten kuvassa D1 näytetään.
3. Ennen uusien terien asentamista, aseta akselikuppi akseliin (kuva D3). Aseta yläterä, jossa on suuri kuusikulmainen reikä, akselille siten, että pintaan painettu "EGO"-logo osoittaa kohti vaihdelaatikkoa (kuva D4). Aseta sitten alaterä, jossa on pieni kuusikulmainen reikä, akselille siten, että pintaan painettu "EGO"-logo osoittaa kohti käyttäjää (kuva D5).

HUOMAA: Varmista, että terien kuusikulmaiset reiät ja akselin kuusio-osa asettuvat paikoillaan. Jos terät asennetaan päinvastoin, PYÖRÖLEIKKURI ei toimi oikein ja se vaurioittaa teriä.

4. Noudata kokoamisessa kuvassa D1 näytettyä järjestystä.

VAIHEISTOKOTELON VOITELU

Parhaan toimivuuden ja pitkän käyttöiän takaamiseksi voitele vaihteistokotelo erikoisrasvalla (noin 4–5 g joka kerta) 50 käyttötunnin välein.

Erikoisrasvan on täytettävä seuraavat vaatimukset.

1. Kuuluttava luokkaan DIN51818: NLGI-1 kartion tunkeutumisaste.
2. Esteripohjainen rasva.
3. Erinomainen alhaisen lämpötilan käynnistys, EP, mekaaninen leikkaus, hankauksen kestävyys ja hapettumisenkestävyyss ominaisuudet.
4. Käyttölämpötilan on oltava -40 °C–180 °C. Poista tiivistysruuvi. Täytä rasva vaihteistokoteloon voitelureiän kautta.

VAROITUS: Älä voitele, jos työkalu on vielä yhdistettynä akkuun tai se on käynnissä.

LAITTEEN PUHDISTAMINEN

- Puhdista laite kostealla liinalla ja miedolla puhdistusaineella.
- Älä käytä voimakkaita puhdistusaineita muoviseen kuoreen tai kahvaan. Ne saattavat vahingoittaa tietyistä aromaattisista öljyistä, kuten männystä ja sitruunasta, ja liuottimista, kuten kerosiineista. Kosteus voi myös aiheuttaa sähköiskun vaaran. Pyyhi kosteus pois pehmeällä ja kuivalla liinalla.

LAITTEEN VARASTOINTI

- Poista akku työkalusta aina, kun se ei ole käytössä.
- Puhdista työkalu perusteellisesti ennen varastointia.
- Säilytä laite kuivassa, hyvin ilmastoidussa, lukitussa paikassa tai korkealla, poissa lasten ulottuvilta Älä säilytä laitetta lannoitteiden, bensiinin tai muiden kemikaalien vieressä tai päällä.
- Käytä metalliterissä kuljetussuojasta kuljetuksen ja varastoinnin aikana.

Ympäristönsuojelu



WEEE (Sähkö- ja elektroniikkalaiteromu)
Älä hävitä sähkölaitteita, akkulaturia tai akkua/ladattavia paristoja kotitalousjätteen seassa! Vie tämä tuote hyväksyttyn kierrätyspaikkaan tai anna se erilliseen keräilyyn. Sähkötyökalut tulee palauttaa asianmukaiseen ympäristöstävälliseen kierrätyslaitokseen.



VIANMÄÄRITYS

ONGELMA	SYY	RATKAISU
PYÖRÖLEIKKURI ei käynnisty..	<ul style="list-style-type: none">▪ Akkua ei ole yhdistetty oikein akkupäähän.▪ Akku on tyhjä.▪ Lukituksenpoistokytintä ja liipaisinta ei paineta samanaikaisesti.	<ul style="list-style-type: none">▪ Yhdistä akku akkupäähän.▪ Lataa akku käyttöoppaan luettelossa olevalla EGO-laturilla.▪ Paina lukituksen poistokytin alas ja pidä sitä painettuna, käynnistä laite sen jälkeen painamalla liipaisinta.
PYÖRÖLEIKKURI pysähtyy kesken leikkaamisen.	<ul style="list-style-type: none">▪ Moottori on ylikuormittunut.▪ Akku on liian kuuma.▪ Akku on irronnut työkalusta	<ul style="list-style-type: none">▪ Moottori tunnistaa, kun kuorma poistetaan. Voit jatkaa työskentelyä vähentämällä PYÖRÖLEIKKURIN pään kuormitusta ja pitkän ruohon leikkaamista, leikkaa sen sijaan asteittain.▪ Anna akun jäähtyä itsestään tai puhalla siihen ilmaa jäähtymisen nopeuttamiseksi.▪ Yhdistä akku uudelleen.

FI

TAKUU

EGON TAKUUEHDOT

Verkkosivustolta egopowerplus.com löydät EGO:n takuuehtojen täydelliset ehdot kokonaisuudessaan.

LES GJENNOM ALLE INSTRUKSJONENE!



LES BRUKERHÅNDBOKEN

⚠ Restrisiko! Personer med elektroniske enheter, for eksempel pacemakere, må rådføre seg med lege før de bruker dette produktet. Drift av elektrisk utstyr i umiddelbar nærhet av en pacemaker kan føre til at pacemakeren forstyrres eller svikter.

⚠ ADVARSEL: For å ivareta sikkerheten og påliteligheten må alle reparasjoner og utskiftinger utføres av en kvalifisert servicetekniker.

SIKKERHETSSYMBOL

Formålet med sikkerhetssymbolene er å rette oppmerksomheten din mot mulige faresituasjoner. Sikkerhetssymbolene og forklaringene krever din fulle oppmerksomhet og forståelse. Symbolvarslene eliminerer ikke farer i seg selv. Instruksjonene og advarslene i dem kan ikke erstatte passende ulykkesforebyggende tiltak.

⚠ ADVARSEL: Sørg for at du har lest og forstått alle sikkerhetsanvisningene i denne bruksanvisningen, inkludert alle varselsymboler som «FARE», «ADVARSEL» og «FORSIKTIG» før du bruker dette verktøyet. Hvis du ikke følger alle instruksjonene nedenfor kan det føre til elektrisk støt, brann og/eller alvorlig personskade.

SYMBOLFORKLARINGER

⚠ SIKKERHETSSYMBOL: Indikerer FARE, ADVARSEL ELLER FORSIKTIGHET, kan brukes sammen med andre symboler eller piktogrammer.




⚠ ADVARSEL: Bruk av hvilke som helst elektroverktøy kan føre til at fremmedlegemer blir kastet mot øynene, noe som kan gi alvorlige øyeskader. Før du begynner å bruke elektroverktøyet, skal du alltid ta på vernebriller eller vernebriller med sidebeskyttelse, og en full ansiktsskjerm der det trengs. Vi anbefaler en sikkerhetsmaske med bred visjon til bruk over briller, eller standard vernebriller med sidebeskyttelse.

SIKKERHETSINSTRUKSER

Denne siden viser og beskriver sikkerhetssymboler som kan være på produktet. Les, forstå og følg alle instruksjoner på enheten før du begynner montering og tar den i bruk.

	Sikkerhetsadvarsel	Forsiktighetsregler som har med sikkerheten din å gjøre.
	Les brukermanualen	For at risikoen for personskader skal unngås må brukeren lese og forstå brukervebudsningen før produktet tas i bruk.
	Bruk vernebriller	Bruk alltid vernebriller eller vernebriller med sidebeskyttelse, og full ansiktsskjerm når du bruker dette produktet.
	Bruk hørselsvern	Bruk alltid hørselsvern når du bruker dette produktet.
	Bruk hodevern	Bruk en godkjent vernehjelm for å beskytte hodet.
	Bruk vernehansker	Beskytt hendene med hansker når du håndterer knivbladene.
	Bruk verneskotøy	Bruk sklisikre vernesko når du bruker utstyret.
	Vær på vakt mot forskyvning av skjærebled	Varsle operatøren om faren for forskyvning av skjærebled.
	Rikosjett og hold tilskuere på avstand	Objekter kan rikosjettere og forårsake skader på person eller eiendom. Forsikre deg om at andre mennesker og kjøledyr forblir borte fra børstemaskinen når den er i bruk.
	Hold tilskuere på avstand	Sørg for at andre mennesker og kjøledyr er minst 15 m unna kantklipperen når den er i bruk.
	Rundt skjærebled ikke tillatt	Ikke installer runde skjærebled.
	WEEE Elektrisk og elektronisk avfall	Elektrisk avfall skal ikke kastes sammen med husholdningsavfall. Innlever ved en godkjent gjenvinningsstasjon.

NO

	Støy	Garantert lydeffektnivå. Støy i omgivelsene er i henhold til EUs direktiv.
	CE	Dette produktet er i samsvar med gjeldende EF-direktiver.
V	Volt	Spenning
n_0	Hastighet uten last	Rotasjonshastighet, uten last
min^{-1}	Per minutt	Omdreininger pr. minutt
	Likestrøm	Strømtype
kg	Kilogram	Vekt

NO

VIKTIGE SIKKERHETSINSTRUKSJONER

⚠ ADVARSEL: Gjør deg kjent med alle sikkerhetsadvarslene, instruksjonene, illustrasjonene og spesifikasjonene som følger med dette **elektroverktøyet**. Manglende etterlevelse av alle instruksjonene under kan resultere i elektrisk støt, brann og/eller alvorlig skade

Ta vare på alle advarsler og instruksjoner for fremtidig bruk.

- Unngå farlige omgivelser – ikke bruk apparatet i fuktige eller våte skråninger.
- Hold skjermene på plass, og i orden.
- Hold hender og føtter unna klippeområdet.
- For å redusere risikoen for skade må du aldri jobbe på en stige eller på et annet ustabilt underlag. Skjæreenheten må aldri holdes over midjehøyde.
- Kontroller skjæreenheten ofte og regelmessig under drift eller umiddelbart hvis du merker at klippeegenskapene endres merkbart.
- For best resultat skal batteriet lades på et sted der temperaturen er høyere enn 5 °C og under 40 °C. Ikke oppbevar det utenfor eller i kjøretøy.
- Hvis noen nærmer seg deg, så stopp motoren og skjæreenheten umiddelbart.
- Varsle operatøren om faren for forskyvning av skjæreblad.
- Skjærebladet kan skyves ut når det roterende bladet kommer i kontakt med en gjenstand som ikke umiddelbart lar seg klippe.

- Utskyvingen av bladet kan være såpass voldsom at verktøyet og/eller operatøren kan bli dyttet forover i en vilkårlig retning og kanskje miste kontrollen over verktøyet.
- Utskyvning av blad kan forekomme uten forvarsel dersom bladet plutselig brykker, stanser eller henger seg opp.
- Mest sannsynlig skjer dette på områder der det er vanskelig å se materialet som blir kuttet.
- **Skjæreblad må ikke settes på en enhet med mindre alle nødvendige deler blir installert korrekt. Hvis riktige deler ikke brukes, kan skjærebladet kastes av og skade operatør og/eller tilskuere alvorlig. Kassér skjæreblad som er bøyd, skjevt, sprukket, brukket eller ødelagt på annen måte. Bruk et skarpt blad. Et sløvt blad rives lettere opp og kan bli skjøvet ut.**
- Et skjæreblad eller tråd som går på tomgang, kan forårsake skade når det fortsetter å snurre etter at motoren er stoppet eller du har sluppet utløseren. Fortsett å ha kontroll til skjærebladet/tråden har stoppet helt opp.
- Batteridrevne verktøy trenger ikke å være tilkoblet et strømnett for å fungere og er derfor alltid klare for bruk. Vær obs på mulige farer også når verktøyet ikke er i gang. Vær forsiktig når du utfører vedlikehold eller service.
- Må ikke vaskes med slange; unngå å få vann i motoren og i elektriske koblinger.
- Hvis situasjoner oppstår som ikke er dekket i denne håndboken, må du utvise forsiktighet og sunn fornuft. Kontakt EGOS servicecenter for hjelp.

TA VARE PÅ DISSE INSTRUKSJONENE!

SPESIFIKASJONER

Hastighet uten belastning	Opptil 450/min.
Skjæreblad	ABR2300
Anbefalt driftstemperatur	0°C-40 °C
Anbefalt lagringstemperatur	-20°C-70 °C
Optimal ladetemperatur	5°C-40 °C
Vekt	1,9 kg
Målt lydeffektnivå L_{WA}	96,1 dB (A) K = 3,8 dB (A)
Lydtrykknivå ved brukerens øre L_{PA}	83,2 dB(A) K = 2,5 dB(A)
Garantert lydeffektnivå L_{WA} (målt iht. 2000/14/EC)	100 dB(A)

Vibrasjonsnivå a_{H} :	Maskin	Med STX3800	Med BCX3800
	Venstre håndtak	0,7 m/s ²	0,6 m/s ²
	Høyre håndtak	K = 1,5 m/s ²	K = 1,5 m/s ²

- Erklært total vibrasjonsverdi er målt i overensstemmelse med en standard testmetode og kan brukes til å sammenligne ett verktøy med et annet;
- Erklært total vibrasjonsverdi kan også brukes i en foreløpig vurdering av eksponering.

MERK: Vibrasjoner under faktisk bruk av elektroverktøyet kan variere fra den opplyste verdien der verktøyet brukes; For å beskytte brukeren skal det alltid benyttes hansker og hørselsvern under faktiske bruksforhold.

BESKRIVELSE

KJENN DIN ROTOCUT (Fig. A)

1. Tetningsskrue
2. Girkasse
3. Knivblad
4. Bladslire
5. Skjermingssammenstilling
6. Skiftenøkkel
7. Unbrakonøkkel
8. Busk (for bruk med 25 mm diameter rør)

PAKKELISTE

NAVN PÅ DEL	ANTALL
ROTOCUT	1
Skjermingssammenstilling	1
Skiftenøkkel	1
Unbrakonøkkel	1
Busk	1
Brukerhåndbok	1

MONTERING

⚠ ADVARSEL: Hvis noen av delene er skadet eller mangler, må du ikke bruke dette produktet før delene er byttet. Bruk av dette produktet dersom deler er skadet eller mangler, kan føre til alvorlige personskader.

⚠ ADVARSEL: Ikke prøv å tilpasse produktet eller lage tilbehør som ikke er anbefalt for bruk med dette produktet. Enhver slik endring eller modifisering er feil bruk, og kan føre til farlige situasjoner og alvorlige personskader.

⚠ ADVARSEL: For å unngå utilsiktet oppstart, som kan forårsake alvorlig personskade, må du alltid trekke batterikoblingen ut av kontakten når du skal montere deler.

BYTT UT TRIMMERHODET MED ROTOCUT HODET

1. Hold kantrimmeren / børsteskjæren og bruk unbrakonøkkelen til å fjerne trimmerbeskyttelsen, trimmerhodet og girkassen fra drivakselen (Fig. B1-B3). Drivakselen vil bli brukt til montering av ROTOCUT senere.
2. Fjern ROTOCUT fra emballasjen, løsne de to skruene 1# og hold dem på festeplaten, løsne og fjern skruen 2# fra festeplaten. (Fig. B4)

B-1	Skrue 1#	B-3	Festeplaten
B-2	Skrue 2#		

NO

3. Og sett deretter ROTOCUT-hodet på drivakselen som er fjernet i trinn 1, sørg for at hullet på B-2 skruen er på linje med hullet på drivakselen (Fig. B5).
4. Sett inn B-2-skruen først, og stram den, og stram deretter de to skruene til B-1 (fig. B6).
5. Fjern ROTOCUT-beskyttelsen fra emballasjen og løsne de to boltene i beskyttelsen. Fjern og reserver de to boltene og fjærskivene fra beskyttelsen (Fig. B7).
6. Løft ROTOCUT-hodet og vend det nedover; Juster de to monteringshullene i beskyttelsen med de to monteringshullene i ROTOCUT festeplaten. Forsikre deg om at beskyttelsesretningen er som på bildet nedenfor, buformen rundt skjæretennene. (Fig. B8).
7. Bruk unbrakonøkkelen for å låse beskyttelsen på plass.
8. Fjern knivskiven fra bladet under bruk.

BRUK

⚠ ADVARSEL: Ikke føl deg så trygg med dette verktøyet at du blir skjødesløs. Husk at et uforsiktig tiendedel av et sekund er nok til å forårsake alvorlige skader.

⚠ ADVARSEL: Bruk alltid vernebriller i tillegg til hørselsvern. Dersom dette ikke blir gjort, kan du få fremmedlegemer inn i øynene eller pådra deg andre alvorlige skader.

⚠ ADVARSEL: Ikke bruk tilbehør eller deler som ikke er anbefalt av produsenten av produktet. Bruk av tilbehør eller deler som ikke anbefales, kan medføre alvorlige personskader.

⚠ ADVARSEL: For å unngå alvorlig personskade må batteripakken tas ut før service, rengjøring, bytte av tilbehør eller når du fjerner fremmedlegemer fra verktøyet.

Du kan bruke dette produktet til formålene som er listet opp under:

Skjæring: brukes til å skjære gresset rundt innsatser eller beskyttelsesskinner, veggkanter, fortauskanter, gjerdet i løpende trafikk, eller til å trimme vegetasjonen på parkeringsplasser.

MERK: Når du bruker ROTOCUT, må du forsikre deg om at det ikke blir kastet fremmedlegemer som medfører sterk risiko: ødelagte vinduer, bukkede karosserier, spalte gjerdet, revet trebark eller personskade.

NO

Å KOBLE TIL / KOBLE FRA BATTERIETS STRØM (fig. C)

Lad batteriet helt opp før første bruk.

Juster ▲ på pluggen med▲ på maskinen. Sett støpselet inn i maskinen til den grønne forseglingen er helt inne i kontakten.

For å koble fra batteristrømmen, bare koble den fra ved å holde og trekke bakover.

STARTE / STOPPE VERKTØYET (FOR STX3800 & BCX3800)

Se avsnittet "START / STOPP AV KANTRIMMEREN / KRATTKUTTEREN" i STX3800 / BCX3800 i brukerhåndboken.

BRUK AV VERKTØYET

⚠ ADVARSEL: For å unngå alvorlige personskader skal det brukes briller eller vernebriller hele tiden mens du bruker denne enheten. Bruk en ansiktsmaske eller støvmaske i støvete omgivelser.

Rydd arbeidsområdet før du bruker verktøyet. Fjern alle gjenstander som steiner, glasskår, spikre, ståltråd eller snorer som kan slynges bort eller vikle seg inn i skjæretilbehøret. Hold barn, tilskuere og kjæledyr unna området. Som et minimum må alle barn, tilskuere og kjæledyr holdes på minst 15 meters avstand. Vær obs på at gjenstander som slynges ut, fremdeles kan representere en fare for tilskuere. Tilskuere bør oppfordres til å bruke øyebeskyttelse. Hvis noen nærmer seg deg, så stopp motoren og skjæretilbehøret umiddelbart.

Før hver bruk må du se etter skadede/slitte deler

Sjekk ROTOCUT hodet, skjermen og sløyfehandtaget, og skift ut eventuelle deler som er sprukne, skjeve, bøyd eller skadet på annen måte.

⚠ ADVARSEL: Bruk alltid hansker når du setter på bladvernet eller reparerer det. Ta vare på bladet og beskytt hånden din mot kutt.

Rengjør verktøyet hver gang du har brukt det.

⚠ FORSIKTIG: Dersom ventilasjonsåpningene blokkeres, vil dette hindre luft fra å komme inn i motorhuset og resultere i overoppheting av eller skade på motoren.

- Bruk bare mild såpe og en fuktig klut for å rengjøre verktøyet. La aldri væske trenge inn i verktøyet, og nedsenk aldri noen del av verktøyet i væske.
- Hold ventilasjonsåpningene i motorhuset fri for rusk til enhver tid.

VEDLIKEHOLD

⚠ ADVARSEL: Når verktøyet trenger service, må bare identiske reservedeler benyttes. Maskinen må etteres og vedlikeholdes regelmessig. For å sikre trygg og pålitelig bruk må alle reparasjoner utføres av en kvalifisert fagperson.

⚠ ADVARSEL: Batteridrevne verktøy trenger ikke å være tilkoblet et strømuttak for å fungere og er derfor alltid klare for bruk. For å unngå alvorlige personskader må du være ekstra forsiktig når du utfører vedlikehold eller service, og når du skal bytte skjæretilbehør eller annet tilbehør.

⚠ ADVARSEL: For å unngå alvorlig personskade, tas batteriet ut av verktøyet før service, rengjøring, bytte av tilbehør eller fjerning av materiale fra enheten.

BYTTE AV ROTOCUT BLADET

⚠ ADVARSEL: Hvis bladene løsner etter at de er festet i riktig stilling eller bladene er slitt, må du bytte bladene umiddelbart. Ikke bruk en kantklipper med skjæretilbehør som sitter løst.

Kjenn ROTOCUT-hodet som vist i fig. D1.

D-1	Skaftkopp	D-5	Vasker
D-2	Toppblad	D-6	Glideskål
D-3	Bunnblad	D-7	Mutter
D-4	Støttekopp		

1. Sett girkassen på ROTOCUT mot en solid overflate for støtte. Klem opp og ned bladene med en tang eller et skruestykke, og bruk deretter skiftenøkkelen til å løse mutteren (fig. D2).
2. Fjern mutteren, glideskålen, skiven, støttekoppen, bunnbladet, toppbladet og skaftkoppen i rekkefølge som anvist i fig. D1.
3. Før du installerer nye kniver, sett skaftkoppen på akselen (fig. D3). Sett toppbladet med det store sekskantete hullet på skaftet med "EGO" logoen vendt mot girhuset (fig. D4), og sett deretter bunnbladet med det lille sekskantete hullet på skaftet med "EGO" logoen vendt mot operatøren (fig. D5).

MERK: Forsikre deg om at sekskanthullene på bladene og sekskantskaftet sitter på plass. Hvis bladene er montert omvendt, vil ikke ROTOCUT fungere korrekt og vil skade bladene.


4. Følg sekvensen vist i fig. D1 for å sette dem sammen igjen.

SMØRE GIRKASSEN

For best mulig drift og lengre levetid, smør girkassen med et spesielt fett (4-5 g hver gang) etter hver 50 timers drift.

Spesialfettet må oppfylle følgende krav:

1. Klassifisert iht. DIN51818: Kjeglepenetrasjonsgrad NLGI-1.
2. Ester basefett.
3. Enestående egenskaper mht. oppstart ved lav temperatur, EP, mekanisk avklipping, slitasjebestandighet og oksideringsstabilitet.
4. Betjeningstemperatur må være innenfor -40 ~ 180 °C. Fjern tetningskruen. Smør girkassen gjennom oljehullet.

 **ADVARSEL:** Ikke smør verktøyet mens den fremdeles er koblet til batteriet eller er i gang.

RENGJØRING AV ENHETEN

- Rengjør apparatet med en fuktig klut og et mildt rengjøringsmiddel.
- Ikke bruk sterke vaskemidler på plastdeksel eller håndtak. Disse delene kan bli skadet av enkelte aromatiske oljer, som furu og sitron, og av løsemidler som parafin. Fuktighet kan også medføre fare for elektrisk støt. Tørk av eventuell fuktighet med en myk og tørr klut.

OPPBEVARING AV VERKTØYET

- Ta batteripakken ut av kantklipperen når den ikke er i bruk.

- Rengjør verktøyet grundig før du setter det til oppbevaring.
- Oppbevar verktøyet på et tørt og godt ventilert sted, innelåst eller høyt plassert, og utilgjengelig for barn. Ikke oppbevar enheten på eller like ved gjødsel, bensin eller andre kjemikalier.
- Bruk et transportdeksel for metallblader under transport og oppbevaring.

Beskytt miljøet



WEEE (Waste Electrical and Electronic Equipment)

Elektrisk utstyr, batteriladere og batterier / oppladbare batterier må ikke kastes i husholdningsavfalle! Ta med dette produktet til autorisert gjenvinning, og gjør det tilgjengelig for separat innsamling. Elektriske verktøy må returneres til et egnet resirkuleringsanlegg.

NO



FEILSØKING

PROBLEM	ÅRSAK	LØSNING
ROTOCUT starter ikke.	<ul style="list-style-type: none">■ Batteripakken er ikke satt ordentlig inn i motorenheten.■ Batteripakken er utladet.■ Låsespaken og utløseren ble ikke trykket inn samtidig.	<ul style="list-style-type: none">■ Sett batteripakken inn i motorenheten.■ Lad batteripakken med en av EGO-laderne som står oppført i denne håndboken.■ Trykk ned låsespaken og hold den inne, og trykk deretter på utløseren for å slå på verktøyet.
ROTOCUT stopper under kutting.	<ul style="list-style-type: none">■ Motoren er overbelastet.■ Batteripakken er for varm.■ Batteripakken er fjernet fra verktøyet.	<ul style="list-style-type: none">■ Motoren vil fungere igjen når lasten er fjernet. Skal du arbeide kontinuerlig, må du minske belastningen på ROTO CUT og unngå å klippe for dypt, men heller klippe dypere i flere omganger.■ La batteripakken avkjøles naturlig, eller luftblås for å øke hastigheten på kjøling.■ Koble til batteripakken på nytt.

NO

GARANTI

EGOs GARANTIREGLER

Besøk nettsiden egopowerplus.com for å se fullstendige vilkår og betingelser for EGO-garantireglene.

ПРОЧИТАЙТЕ ВСЕ ИНСТРУКЦИИ!



ПРОЧИТАЙТЕ РУКОВОДСТВО ПОЛЬЗОВАТЕЛЯ

⚠ Остаточный риск! Если вы используете такие электронные устройства, как кардиостимулятор, перед эксплуатацией данного устройства проконсультируйтесь с врачом. Использование электрооборудования в непосредственной близости от кардиостимулятора может привести к образованию помех и повреждению кардиостимулятора.

⚠ ПРЕДУПРЕЖДЕНИЕ. Для обеспечения безопасной и надежной работы устройства его ремонт и замену частей должен выполнять квалифицированный специалист.

СИМВОЛЫ БЕЗОПАСНОСТИ

Символы безопасности предназначены для привлечения внимания к возможным рискам. Символы безопасности, а также пояснения к ним, требуют особого внимания и понимания. Предупреждения по технике безопасности сами по себе не устраняют опасность. Инструкции и предупреждения не заменяют соответствующие меры по предотвращению несчастных случаев.

⚠ ПРЕДУПРЕЖДЕНИЕ. Перед использованием устройства внимательно прочитайте все инструкции в данном руководстве пользователя и ознакомьтесь с предупреждающими символами безопасности, такими как «**ОПАСНОСТЬ**», «**ПРЕДУПРЕЖДЕНИЕ**» и «**ВНИМАНИЕ**». Несоблюдение всех приведенных ниже инструкций может привести к поражению электрическим током, возникновению пожара и (или) получению серьезных травм.

УСЛОВНЫЕ ОБОЗНАЧЕНИЯ

⚠ ПРЕДУПРЕЖДАЮЩИЙ СИМВОЛ. Означает **ОПАСНОСТЬ**, **ПРЕДУПРЕЖДЕНИЕ**, или **ВНИМАНИЕ** и может использоваться с другими символами или изображениями.

⚠ ПРЕДУПРЕЖДЕНИЕ. В результате работы электроинструмента в глаза могут попасть посторонние предметы, что приведет к серьезному повреждению глаз. Перед началом использования электроинструмента всегда надевайте защитную





маску или защитные очки с боковыми щитками и полнопрофильную защитную маску (при необходимости). Поверх очков или стандартных защитных очков рекомендуется надевать безопасную маску с широким обзором.

ИНСТРУКЦИЯ ПО ТЕХНИКЕ БЕЗОПАСНОСТИ

Далее приведено изображение и описание символов безопасности, которые могут присутствовать на данном устройстве. Перед сборкой или использованием внимательно прочитайте все инструкции, приведенные на устройстве, и соблюдайте их.

	Предупреждение об опасности	Меры предосторожности, касающиеся безопасности.
	Прочитайте руководство пользователя.	Чтобы уменьшить риск получения травм, перед использованием устройства необходимо прочитать и понять руководство по эксплуатации.
	Используйте защитные очки.	При работе с данным устройством всегда используйте защиту для глаз или защитные очки с боковыми щитками и полнопрофильную защитную маску.
	Используйте средства защиты органов слуха.	При использовании устройства всегда надевайте средства защиты органов слуха.
	Используйте защитный головной убор.	Используйте надежную каску для защиты головы.
	Используйте защитные перчатки.	При работе с режущим элементом и щитком надевайте защитные перчатки.
	Используйте надежную обувь.	При использовании устройства надевайте надежную нескользящую обувь.
	Остерегайтесь отдачи режущего элемента.	Предупредите оператора об опасности отдачи режущего элемента.

RU

	Возможен рикошет, не позволяйте посторонним людям находиться поблизости.	Отброшенные предметы могут отскочить и привести к травмам или повреждению имущества. Убедитесь, что другие люди и животные находятся на расстоянии от работающего устройства.
	Не позволяйте посторонним людям находиться поблизости.	Убедитесь, что другие люди и животные находятся на расстоянии не менее 15 м от работающего устройства.
	Не используйте круглые режущие элементы.	Не используйте круглые режущие элементы.
	WEEE (утилизация электрического и электронного оборудования)	Неисправные электрические устройства нельзя выбрасывать вместе с бытовым мусором. Сдавайте их в авторизованные пункты сбора и утилизации.
	Шум	Гарантированный уровень звуковой мощности. Уровень шума в окружающей среде в соответствии с директивой ЕС.
	CE	Соответствует основным требованиям стандартов безопасности Европейских директив.
V	Вольт	Напряжение
n_0	Скорость работы без нагрузки	Скорость вращения без нагрузки
min^{-1}	В минуту	Оборотов в минуту
	Постоянный ток	Тип или характеристика тока
kg	Килограмм	Масса

ВАЖНЫЕ ИНСТРУКЦИИ ПО ТЕХНИКЕ БЕЗОПАСНОСТИ

⚠ ПРЕДУПРЕЖДЕНИЕ. Прочитайте все правила безопасности, инструкции, иллюстрации и спецификации, прилагаемые к этому электроинструменту. Невыполнение изложенных ниже инструкций может привести к поражению электрическим током, пожару и (или) тяжелым травмам.

Сохраните все предупреждения и инструкции для использования в будущем.

- Не работайте в опасных условиях. Не используйте устройство на влажных и мокрых склонах.
- Щитки должны быть установлены и находиться в рабочем состоянии.
- Всегда держите руки и ноги подальше от режущих частей.
- Чтобы снизить риск получения травм, никогда не работайте на стремянке или на любой другой неустойчивой поверхности. Никогда не поднимайте режущий элемент выше уровня талии.
- Регулярно проверяйте режущий элемент во время использования, а также сразу после обнаружения серьезных изменений в работе устройства.
- Для достижения наилучших результатов аккумулятора следует заряжать при температуре окружающей среды от 5 до 40 °C. Не храните его вне помещения или в транспортном средстве.
- В случае приближения к препятствиям или посторонним лицам остановите двигатель и режущий элемент.
- Предупредите оператора об опасности отдачи режущего элемента.
- Отдача возникает при контакте вращающегося режущего элемента с объектом, который он не может сразу разрезать.
- Отдача может быть достаточно сильной, чтобы оттолкнуть устройство и (или) оператора в любом направлении и привести к потере контроля над устройством.
- Отдача может возникнуть внезапно, если режущий элемент зацепился, застрял или зажался.
- Отдача наиболее вероятна в таких ситуациях, когда обрабатываемый материал плохо видно.

- Не прикрепляйте никакие режущие элементы к устройству без надлежащей установки всех необходимых частей. Несоблюдение рекомендаций по установке надлежащих частей может привести к отлетанию режущего элемента и нанесению серьезных травм оператору и (или) посторонним лицам. Заменяйте погнутые, изношенные, треснувшие, сломанные или как-либо иначе поврежденные режущие элементы. Используйте только острые режущие элементы. Тупой режущий элемент чаще застревает и провоцирует отдачу.
- Режущий элемент или леска по инерции могут нанести травмы во время вращения даже при остановке двигателя или отпуске курка. Сохраняйте полный контроль над устройством, пока режущий элемент или леска полностью не остановится.
- Работая от аккумуляторов инструменты не требуется подключать к розетке электросети, поэтому они всегда готовы к использованию. Помните о возможности возникновения опасных ситуаций даже когда устройство не используется. Соблюдайте осторожность при выполнении технического обслуживания или ремонта.
- Не мойте устройство из шланга. Избегайте попадания воды в двигатель и электрические соединения.
- При возникновении ситуаций, не описанных в данном руководстве, соблюдайте осторожность и руководствуйтесь здравым смыслом. Обратитесь в сервисный центр EGO за помощью.

СОХРАНИТЕ ДАННОЕ РУКОВОДСТВО!

ХАРАКТЕРИСТИКИ

Скорость вращения без нагрузки	До 450 об/мин
Режущий элемент	ABR2300
Рекомендуемая рабочая температура	0 °C-40 °C
Рекомендуемая температура хранения	-20 °C-70 °C
Оптимальная температура зарядки	5 °C-40 °C
Масса	1,9 кг

Измеренный уровень звуковой мощности, L_{WA}	96,1 дБ (A) K = 3,8 дБ (A)		
Уровень звукового давления на уши оператора, L_{PA}	83,2 дБ (A) K = 2,5 дБ (A)		
Гарантированный уровень звуковой мощности, L_{WA} (измеренный в соответствии со стандартом 2000/14/EC)	100 дБ (A)		
Значение вибрации $a_{h'}$	Устройство	C устройством STX3800	C устройством BCX3800
	Левая рукоятка	0,7 м/с ²	0,6 м/с ²
	Правая рукоятка	K = 1,5 м/с ²	K = 1,5 м/с ²

RU

- Указанное общее значение вибрации было определено с помощью стандартного теста и может быть использовано для сравнения разных инструментов.
- Указанное общее значение вибрации также может использоваться для предварительной оценки уровня воздействия.

ПРИМЕЧАНИЕ. Реальное вибрационное воздействие электроинструмента может отличаться от указанного в зависимости от способа использования. В целях безопасности оператор должен надевать перчатки и средства защиты органов слуха во время использования устройства.

ОПИСАНИЕ

ЧАСТИ РОТАЦИОННОЙ КОСИЛКИ (Рис. А)

1. Уплотнительный винт
2. Корпус редуктора
3. Режущий элемент
4. Кожух режущего элемента
5. Щиток в сборе
6. Гаечный ключ
7. Шестигранный ключ
8. Втулка (для использования с трубкой диаметром 25 мм)

КОМПЛЕКТ ПОСТАВКИ

НАЗВАНИЕ ДЕТАЛИ	КОЛИЧЕСТВО
РОТАЦИОННАЯ КОСИЛКА	1
Щиток в сборе	1
Гаечный ключ	1
Шестигранный ключ	1
Вкладыш	1
Руководство по эксплуатации	1

СБОРКА

⚠ ПРЕДУПРЕЖДЕНИЕ. Если какие-либо части повреждены или отсутствуют, не используйте устройство, пока они не будут установлены. Использование устройства в случае повреждения или отсутствия частей может привести к получению серьезной травмы.

⚠ ПРЕДУПРЕЖДЕНИЕ. Не пытайтесь изменить конструкцию устройства или создать не рекомендованные для него дополнительные приспособления. Подобное изменение считается ненадлежащим использованием и способствует возникновению опасной ситуации, которая приведет к получению серьезной травмы.

⚠ ПРЕДУПРЕЖДЕНИЕ. Перед сборкой отсоедините разъем аккумулятора, чтобы предотвратить случайное включение инструмента и получение серьезной травмы.

ЗАМЕНА ГОЛОВКИ ТРИММЕРА НА РОТАЦИОННУЮ КОСИЛКУ

- Надежно удерживайте триммер/кусторез и используйте универсальный ключ, чтобы снять щиток, головку триммера и корпус редуктора с приводного вала (Рис. В1–В3). Приводной вал позже будет использован при сборке ротационной косилки.
- Извлеките ротационную косилку из упаковки, ослабьте два винта 1# и удерживайте их на фиксирующей пластине, затем ослабьте и извлеките винт 2# из пластины (Рис. В4).

В-1	Винт 1#	В-3	Крепежная пластина
В-2	Винт 2#		

- Затем установите ротационную косилку на снятый при выполнении шага 1 приводной вал и убедитесь, что отверстие винта В-2 совпадает с отверстием на приводном валу (Рис. В5).
- Сначала вставьте и затяните винт В-2, затем затяните два винта В-1 (Рис. В6).
- Извлеките из упаковки щиток ротационной косилки и ослабьте два болта в щитке. Извлеките из щитка и сохраните два болта и пружинные шайбы (Рис. В7).
- Поднимите ротационную косилку и переверните ее. Совместите два крепежных отверстия в щитке с двумя отверстиями в крепежной панели ротационной косилки. Убедитесь, что расположение щитка соответствует приведенному ниже рисунку. Дугообразная часть должна располагаться вокруг режущих зубьев (Рис. В8).
- Зафиксируйте щиток на месте с помощью шестигранного ключа.
- Прежде чем приступить к работе, снимите чехол с режущего элемента.

ЭКСПЛУАТАЦИЯ

⚠ ПРЕДУПРЕЖДЕНИЕ. Не допускайте небрежности и беспечности при работе с устройством. Помните, что потери бдительности на долю секунды достаточно для получения серьезной травмы.

⚠ ПРЕДУПРЕЖДЕНИЕ. Всегда надевайте защитные очки, а также используйте защиту органов слуха. В противном случае выбрасываемые предметы могут попасть в глаза, что приведет к получению серьезной травмы.

⚠ ПРЕДУПРЕЖДЕНИЕ. Не используйте насадки или дополнительные приспособления, не рекомендованные производителем устройства. Использование нерекондованных насадок и дополнительных приспособлений может привести к серьезным травмам.

⚠ ПРЕДУПРЕЖДЕНИЕ. Чтобы предотвратить получение серьезных травм, отсоединяйте аккумулятор перед выполнением сервисного обслуживания, очистки, замены принадлежностей или удаления материала из устройства.

Данное устройство можно использовать в следующих целях.

Срезание: используется для скашивания травы вокруг столбов, барьеров, краев стен, бордюров, ограждений проезжей части, а также для обрезки растительности на парковках.

ПРИМЕЧАНИЕ. При использовании ротационной косилки необходимо следить за тем, чтобы не выбрасывались посторонние предметы, представляющие серьезную опасность: разбитые окна, вмятины на кузове автомобиля, перерезанные ограждения, разорванная кора деревьев или травмы.

ПОДКЛЮЧЕНИЕ И ОТКЛЮЧЕНИЕ АККУМУЛЯТОРА (Рис. С)

Перед первым использованием полностью зарядите аккумулятор.

Совместите обозначение ▲ на вилке с обозначением ▲ на устройстве. Вставьте вилку таким образом, чтобы зеленое уплотнение полностью исчезло в разъеме.

Чтобы отключить аккумуляторное питание, просто отсоедините вилку от разъема.

ВКЛЮЧЕНИЕ И ВЫКЛЮЧЕНИЕ ИНСТРУМЕНТА (ДЛЯ STX3800 И ВСX3800)

См. раздел «ВКЛЮЧЕНИЕ/ВЫКЛЮЧЕНИЕ ТРИММЕРА/КУСТОРЕЗА» в руководстве по эксплуатации STX3800/BCX3800.

ИСПОЛЬЗОВАНИЕ УСТРОЙСТВА

▲ ПРЕДУПРЕЖДЕНИЕ. Во избежание травм всегда надевайте защитные очки при работе с данным устройством. Надевайте маску или респиратор при работе в пыльной среде.

Очищайте обрабатываемый участок перед каждым использованием инструмента. Удалите такие предметы, как камни, осколки стекла, гвозди, проволоку или веревки, которые могут запутаться в режущем приспособлении или которые оно может отбросить. На участке не должны находиться дети, прохожие и животные. Дети, прохожие и животные должны находиться на расстоянии не менее 15 м, так как во время работы могут отлетать предметы. Посторонние лица должны надевать защитные очки. В случае приближения посторонних лиц немедленно остановите двигатель и режущее приспособление.

Перед каждым использованием проверяйте устройство на наличие поврежденных и изношенных частей.

Проверьте ротационную косилку, щиток и рукоятку-скобу и замените треснувшие, деформированные, изогнутые или поврежденные части.

▲ ПРЕДУПРЕЖДЕНИЕ. Всегда надевайте перчатки при установке щитка и обслуживании режущего элемента. Остерегайтесь лезвия и берегите руки от порезов.

Очищайте инструмент после каждого использования.

▲ ВНИМАНИЕ! Загрязнения в вентиляционных отверстиях могут помешать попаданию воздуха в корпус двигателя и привести к перегреву и повреждению двигателя.

- Для очистки устройства используйте только слабый мыльный раствор и влажную ткань. Никогда не допускайте попадания какой-либо жидкости внутрь инструмента и никогда не погружайте никакие части инструмента в жидкость.
- Следите за тем, чтобы вентиляционные отверстия на корпусе двигателя всегда были чистыми.

RU

ОБСЛУЖИВАНИЕ

▲ ПРЕДУПРЕЖДЕНИЕ. При ремонте используйте только идентичные запасные части. Регулярно проверяйте устройство и выполняйте его обслуживание. Для обеспечения безопасности и надежности устройства его ремонт должен выполнять квалифицированный специалист.

▲ ПРЕДУПРЕЖДЕНИЕ. Работающие от аккумуляторов инструменты не требуется подключать к розетке электросети, поэтому они всегда готовы к использованию. Чтобы предотвратить получение серьезных травм, будьте особо осторожны и внимательны при выполнении технического обслуживания, ремонта или замене режущих или других приспособлений.

▲ ПРЕДУПРЕЖДЕНИЕ. Чтобы предотвратить получение серьезных травм, извлекайте аккумулятор перед выполнением сервисного обслуживания, очистки, замены принадлежностей или удаления материала из устройства.

ЗАМЕНА РЕЖУЩЕГО ЭЛЕМЕНТА РОТАЦИОННОЙ КОСИЛКИ

⚠ ПРЕДУПРЕЖДЕНИЕ. Если режущие элементы ослабевают после фиксации на месте или сильно изношены, немедленно замените их. Никогда не используйте инструмент, если режущий элемент плохо закреплен или не обеспечивает нужной производительности.

Ознакомьтесь с конструкцией ротационной косилки на Рис. D-1.

D-1	Колпачок вала	D-5	Шайба
D-2	Верхнее лезвие	D-6	Скользкий барабан
D-3	Нижнее лезвие	D-7	Гайка
D-4	Опорный стакан		

1. Положите корпус редуктора ротационной косилки на твердую поверхность. Зажмите верхнее и нижнее лезвия плоскогубцами или тисками, затем используйте гаечный ключ, чтобы ослабить гайку (Рис. D2).
2. Последовательно снимите гайку, скользкий барабан, шайбу, опорный стакан, нижнее лезвие, верхнее лезвие и колпачок вала, как показано на Рис. D1.
3. Перед установкой новых лезвий наденьте колпачок на вал (Рис. D3). Поместите верхнее лезвие с большим шестиугольным отверстием на вал так, чтобы поверхность с логотипом «EGO» была обращена к корпусу редуктора (Рис. D4), затем поместите нижнее лезвие с небольшим шестиугольным отверстием на вал так, чтобы поверхность с логотипом «EGO» была обращена к оператору (Рис. D5).

ПРИМЕЧАНИЕ. Убедитесь, что шестигранные отверстия в лезвиях и шестигранный буртик вала находятся на своих местах. В противном случае лезвия будут установлены в обратном порядке. Ротационная косилка не сможет работать правильно и повредит лезвия.

4. Для выполнения сборки соблюдайте последовательность, приведенную на Рис. D1.

СМАЗКА РЕДУКТОРА

Для максимальной эффективности и продления срока службы смазывайте редуктор специальной смазкой (4–5 г) после каждых 50 часов эксплуатации.

Специальная смазка должна удовлетворять следующим требованиям.

1. Соответствие степени конусной пенетрации по стандарту DIN51818: NLGI-1.

2. Смазка на основе сложного эфира.
3. Отличный низкотемпературный запуск, EP, механическая резка, устойчивость к истиранию и свойства окислительной стабильности.
4. Диапазон рабочей температуры от -40 °C до 180 °C. Извлеките уплотнительный винт. Добавьте смазку в редуктор через смазочное отверстие.

⚠ ПРЕДУПРЕЖДЕНИЕ. Не выполняйте смазку устройства, если оно включено или подключено к источнику питания.

ОЧИСТКА УСТРОЙСТВА

- Очистите устройство с помощью влажной ткани и мягкого моющего средства.
- Не используйте активные моющие средства для очистки пластикового корпуса или рукоятки. Они могут быть повреждены определенными ароматическими маслами, такими как хвойное и лимонное масла, а также растворителями, например керосином. Кроме того, наличие влаги может привести к поражению электрическим током. Протрите влажное место мягкой сухой тканью.

ХРАНЕНИЕ УСТРОЙСТВА

- Если инструмент не используется, отсоедините от него аккумулятор.
- Тщательно очистите устройство перед хранением.
- Храните устройство в сухом, хорошо проветриваемом, закрытом или высоком месте, недоступном для детей. Не храните устройство рядом с удобрениями, бензином или другими химическими веществами.
- Используйте транспортировочный чехол для металлических ножей во время транспортировки и хранения.

Защита окружающей среды



Утилизация отходов электрического и электронного оборудования (WEEE)

Не выбрасывайте электроприборы, зарядные устройства и аккумуляторные батареи вместе с бытовыми отходами! Отправьте данное изделие на переработку в специализированное предприятие или сдайте его для раздельного сбора. Электроинструменты должны быть возвращены на перерабатывающее предприятие, не наносящее ущерба окружающей среде.

УСТРАНЕНИЕ НЕПОЛАДOK

ПРОБЛЕМА	ПРИЧИНА	РЕШЕНИЕ
Ротационная косилка не запускается.	<ul style="list-style-type: none"> ■ Аккумулятор неправильно подключен к приводному блоку. ■ Аккумулятор разряжен. ■ Рычаг блокировки и курковый переключатель не зажаты одновременно. 	<ul style="list-style-type: none"> ■ Подключите аккумулятор к приводному блоку. ■ Зарядите аккумулятор с помощью зарядного устройства EGO, указанного в данном руководстве. ■ Нажмите на рычаг блокировки и удерживайте его, затем зажмите курковый переключатель, чтобы включить инструмент.
Ротационная косилка остановилась во время резки.	<ul style="list-style-type: none"> ■ Двигатель перегружен. ■ Аккумулятор перегрелся. ■ Аккумулятор не подключен к устройству. 	<ul style="list-style-type: none"> ■ Двигатель начнет работать снова, как только нагрузка уменьшится. Для непрерывной работы уменьшите нагрузку на ротационную косилку и избегайте глубокой резки, вместо этого выполняйте резку постепенно. ■ Дайте аккумулятору остыть естественным образом или продуйте воздухом, чтобы ускорить охлаждение. ■ Отсоедините аккумулятор.

RU

ГАРАНТИЯ

ГАРАНТИЙНАЯ ПОЛИТИКА EGO

Посетите веб-сайт egopowerplus.com, чтобы ознакомиться со всеми условиями и сроками гарантийной политики EGO.

PRZECZYTAJ WSZYSTKIE INSTRUKCJE!



PRZECZYTAJ INSTRUKCJĘ OBSŁUGI

⚠ Ryzyko resztkowe! Osoby z urządzeniami elektrycznymi, takimi jak rozruszniki serca, powinny przed użyciem produktu skonsultować się ze swoim(i) lekarzem/-ami. Używanie urządzeń elektrycznych blisko rozrusznika serca może spowodować zakłócenia lub uszkodzić rozrusznik.

⚠ OSTRZEŻENIE: Aby zagwarantować bezpieczeństwo i niezawodność, wszystkie naprawy i wymiany części powinny być wykonywane przez wykwalifikowanych techników serwisu.

SYMBOL BEZPIECZEŃSTWA

Celem symboli bezpieczeństwa jest zwrócenie uwagi użytkownika na możliwe zagrożenia. Symbole bezpieczeństwa i objaśnienia do nich zasługują na to, aby je uważnie przestudiować i zrozumieć. Symbole bezpieczeństwa nie eliminują same z siebie jakichkolwiek zagrożeń. Podawane w nich instrukcje i ostrzeżenia nie zastępują odpowiednich środków zapobiegania wypadkom.

⚠ OSTRZEŻENIE: Przed użyciem narzędzia należy koniecznie przeczytać ze zrozumieniem wszystkie instrukcje dotyczące bezpieczeństwa podane w podręczniku użytkownika, łącznie z wszystkimi symbolami ostrzegawczymi takimi jak „**NIEBEZPIECZEŃSTWO**”, „**OSTRZEŻENIE**” i „**UWAGA**”. Niestosowanie się do wszystkich podanych niżej instrukcji może doprowadzić do porażenia prądem, pożaru i/lub poważnych obrażeń.

ZNACZENIE SYMBOLI

⚠ SYMBOL OSTRZEGAWCZY: Oznacza **NIEBEZPIECZEŃSTWO**, **OSTRZEŻENIE** lub **UWAGĘ**, może być używany razem z innymi symbolami lub piktogramami.

⚠ OSTRZEŻENIE: Praca elektronarzędziami może spowodować wyrzucenie ciał obcych w oczy użytkownika, co może doprowadzić do poważnych urazów oczu. Przed rozpoczęciem pracy elektronarzędziem należy zawsze założyć gogle ochronne lub okulary z osłonami bocznymi, a w stosownych przypadkach także pełną osłonę na twarz. Zalecamy nakładanie na zwykłe okulary maski zabezpieczającej o szerokim polu widzenia lub stosowanie standardowych okularów zabezpieczających z osłonami bocznymi.

INSTRUKCJE DOTYCZĄCE BEZPIECZEŃSTWA

Na tej stronie pokazano i opisano symbole bezpieczeństwa, które mogą występować na produkcie. Przed podjęciem próby złożenia i użycia urządzenia należy przeczytać i zrozumieć wszystkie instrukcje dotyczące narzędzia oraz zastosować się do nich.

	Ostrzeżenie dotyczące bezpieczeństwa	Ostrzeżenia istotne dla bezpieczeństwa użytkownika.
	Przeczytaj instrukcję operatora	Aby zmniejszyć ryzyko urazów, przed rozpoczęciem korzystania z produktu, użytkownik musi przeczytać i zrozumieć instrukcję.
	Noś okulary ochronne	Podczas używania urządzenia należy zawsze nosić gogle ochronne lub okulary ochronne z osłonami bocznymi, a także pełną osłonę na twarz.
	Noś ochronniki słuchu	Podczas pracy urządzeniem należy zawsze nosić ochronniki słuchu.
	Noś kask ochronny	Aby chronić głowę, należy nosić atestowany kask ochronny.
	Noś rękawice ochronne	Na czas prac przy ostrzu i osłonie ostrza należy zabezpieczyć ręce rękawicami.
	Noś obuwie ochronne	Podczas używania urządzenia należy nosić obuwie ochronne z podeszwami antypoślizgowymi.
	Uwaga na możliwość odbicia ostrza	Prosimy ostrzec operatora o ryzyku związanym z odbiciem ostrza.
	Uwaga na rykoszet, osoby postronne trzymaj z daleka	Przedmioty wyrzucone w powietrze mogą odbić się rykoszetem i doprowadzić do urazów lub strat materialnych. Należy zawsze pilnować, aby inni ludzie oraz zwierzęta domowe pozostawali z dala od pracującej kosi do zarośli.

	Osoby postronne trzymaj z daleka	Należy zawsze pilnować, aby inni ludzie i zwierzęta domowe pozostawali w odległości co najmniej 15 m od pracującej podkaszarki.
	Ne zakładać tarczy tnącej	Nie należy montować okrągłych tarcz tnących.
	WEEE	Zużytych wyrobów elektrycznych nie należy wyrzucać razem ze zwykłymi odpadami domowymi. Należy je oddać do autoryzowanego punktu recyklingu.
	Hałas	Gwarantowany poziom mocy akustycznej. Emisja hałasu do środowiska zgodnie z dyrektywą Wspólnoty Europejskiej.
	CE	Ten produkt jest zgodny z obowiązującymi dyrektywami WE.
V	Wolt	Napięcie
n_0	Prędkość bez obciążenia	Prędkość obrotowa bez obciążenia
min ⁻¹	Na minutę	Obroty na minutę
	Prąd stały	Rodzaj lub charakterystyka prądu
kg	Kilogram	Ciężar

WAŻNE INSTRUKCJE DOTYCZĄCE BEZPIECZEŃSTWA

⚠ OSTRZEŻENIE: Prosimy przeczytać wszystkie dotyczące narzędzia ostrzeżenia i instrukcje oraz przestudiować ilustracje i specyfikację. Niestosowanie się do wszystkich podanych niżej instrukcji może doprowadzić do porażenia prądem, pożaru i/lub poważnych obrażeń.

Prosimy zachować na przyszłość wszystkie ostrzeżenia i instrukcje.

- **Należy unikać pracy w niebezpiecznych warunkach** – Nie używać urządzeń na podmokłych lub wilgotnych pochyłościach.

- Oslony zabezpieczające muszą być zawsze założone i sprawne.
- Ręce i stopy należy trzymać z dala od strefy cięcia.
- Aby ograniczyć ryzyko urazów, nigdy nie należy pracować na drabinie lub innych niebezpiecznych podporach. Końcówki tnącej nie wolno nigdy trzymać powyżej pasa.
- W czasie użytkowania końcówkę tnącą należy sprawdzać w regularnych odstępach czasu. W przypadku zauważalnej zmiany w sposobie cięcia kontrolę należy przeprowadzić natychmiast.
- Aby uzyskać najlepsze wyniki, akumulator należy ładować w miejscu, w którym temperatura mieści się w przedziale od 5°C do 40°C. Nie przechowywać na dworze lub w pojazdach.
- Jeśli do użytkownika zbliży się jakaś osoba, należy wyłączyć silnik i zatrzymać końcówkę tnącą.
- Prosimy ostrzec operatora o ryzyku związanym z odbiciem ostrza.
- Gdy kręcące się ostrze dotknie przedmiotu, który nie poddaje się natychmiastowemu przecięciu, może pojawić się siła odbicia ostrza.
- Siła odbicia ostrza może być na tyle gwałtowna, że może spowodować odepchnięcie narzędzia i/lub operatora w dowolną stronę, z możliwością utraty kontroli nad narzędziem.
- Jeśli ostrze zaczepi się o coś, zablokuje się lub zaklinuje, do odbicia może dojść bez jakiegokolwiek ostrzeżenia.
- Odbicie ostrza zdarza się częściej w miejscach, w których trudno jest zobaczyć przecinany materiał.
- Nie należy zakładać żadnego ostrza do urządzenia bez prawidłowego zainstalowania wszystkich wymaganych części. Bez użycia odpowiednich części mogłyby dojść do wyrzucenia ostrza w powietrze i do poważnych urazów operatora lub osób postronnych. Ostrza, które ulegną skrzywieniu, skręceniu, pęknięciu, nadłamaniu lub innemu uszkodzeniu należy zawsze wyrzucić. Używane ostrze musi być ostre. Tępe ostrze łatwiej klinuje się i ulega odbiciu.
- Ostrze obracające się na luzie po wyłączeniu silnika lub puszczeniu spustu może spowodować urazy. Do momentu całkowitego zatrzymania obrotów należy pilnować narzędzia.
- Narzędzia akumulatorowe nie wymagają podłączenia do kontaktu elektrycznego i dlatego są zawsze gotowe do pracy. Należy więc mieć świadomość możliwych zagrożeń, występujących nawet wtedy, gdy narzędzie nie jest używane. Podczas wykonywania czynności konserwacyjnych lub serwisowych należy zachować ostrożność.

- Nie należy czyścić urządzenia węzłem; należy unikać zachlapania wodą silnika i połączeń elektrycznych.
- W sytuacjach, które nie zostały przewidziane w niniejszej instrukcji należy zachować ostrożność i kierować się własnym zdrowym rozsądkiem. W celu uzyskania pomocy prosimy skontaktować się z centrum obsługi klienta EGO.

ZACHOWAJ TĘ INSTRUKCJĘ!

SPECYFIKACJA

Prędkość bez obciążenia	Do 450 obr./min		
Ostrze tnące	ABR2300		
Zalecana temperatura użytkowania	0°C-40°C		
Zalecana temperatura przechowywania	-20°C-70°C		
Optymalna temperatura ładowania	5°C-40°C		
Ciężar	1,9 kg		
Zmierzony poziom mocy akustycznej L_{WA}	96,1 dB(A) K = 3,8 dB (A)		
Poziom ciśnienia akustycznego na wysokości ucha operatora L_{PA}	83,2 dB(A) K = 2,5 dB(A)		
Gwarantowany poziom mocy akustycznej L_{WA} (pomiar zgodnie z dyrektywą 2000/14/WE)	100 dB(A)		
Szacunkowe drgania a_{h1} :	Urządzenie	Z STX3800	Z BCX3800
	Uchwyt lewy	0,7 m/s ²	0,6 m/s ²
	Uchwyt prawy	K = 1,5 m/s ²	K = 1,5 m/s ²

- Deklarowana całkowita wartość drgań została zmierzona zgodnie ze standardowymi metodami testowania i może służyć do porównywania różnych narzędzi.
- Deklarowana całkowita wartość drgań może również służyć do wstępnej oceny narażenia na drgania.

UWAGA: Emisja dźwięku podczas rzeczywistego stosowania elektronarzędzia może różnić się od deklarowanej wartości, w której narzędzie jest używane; aby się zabezpieczyć, użytkownik powinien nosić rękawice i ochronniki na uszy w rzeczywistych warunkach użytkowania.

OPIS

ZAPOZNANIE SIĘ Z WYCINARKĄ ROTACYJNĄ (Rys. A)

1. Śruba uszczelniająca
2. Obudowa przekładni
3. Ostrze
4. Osłona ostrza
5. Osłona (zespół)
6. Klucz
7. Klucz imbusowy
8. Tuleja (do stosowania z rurą o średnicy 25 mm)

LISTA ELEMENTÓW W OPAKOWANIU

NAZWY CZĘŚCI	ILOŚĆ
WYCINARKA ROTACYJNA	1
Osłona (zespół)	1
Klucz	1
Klucz imbusowy	1
Tuleja	1
Instrukcja obsługi	1

MONTAŻ

⚠ OSTRZEŻENIE: W przypadku braku lub uszkodzenia którejś z części nie należy uruchamiać urządzenia aż do momentu wymiany lub naprawy części. Używanie urządzenia z uszkodzonymi częściami lub gdy którejś z części brakuje może doprowadzić do poważnych urazów ciała.

⚠ OSTRZEŻENIE: Nie należy próbować przerabiać urządzenia lub tworzyć akcesoriów, które nie są zalecane do używania w tym urządzeniu. Wszelkie tego typu zmiany lub modyfikacje są niedozwolone i mogą prowadzić do niebezpiecznych sytuacji oraz poważnych urazów ciała.

⚠ OSTRZEŻENIE: Aby zapobiec przypadkowemu włączeniu, które mogłoby spowodować urazy ciała, na czas mocowania części w urządzeniu należy zawsze odłączać akumulator.

WYMIANA GŁOWICY TNAJEJ W WYCINARCE ROTACYJNEJ

1. Przytrzymać podkaszarkę/kosę do zarosli i kluczem imbusowym odkręcić z wałka napędowego osłonę podkaszarki, głowicę podkaszarki i obudowę przekładni (Rys. B1-B3). Wałek napędowy zostanie później użyty do montażu WYCINARKI ROTACYJNEJ.

- Wyjąć WYCINARKĘ ROTACYJNĄ z opakowania, poluzować 2 śruby 1# i przytrzymać je ma płytce mocującej, poluzować i wykręcić z płytki mocującej śrubę 2#. (Rys. B4)

B-1	Śruba 1#	B-3	Płytką mocująca
B-2	Śruba 2#		

- Następnie założyć głowicę WYCINARKI ROTACYJNEJ na wałek napędowy zdemontowany w kroku 1; dopilnować, aby otwór na śrubę B-2 był dopasowany do otworu na wałku napędowym (Rys. B5).
- Włożyć i dokręcić śrubę B-2, następnie dokręcić 2 śruby B-1 (Rys. B6).
- Wyjąć osłonę WYCINARKI ROTACYJNEJ z opakowania i poluzować 2 śruby w osłonie. Wykręcić z osłony i schować 2 śruby z podkładkami sprężynującymi (Rys. B7).
- Podnieść głowicę WYCINARKI ROTACYJNEJ i skierować ją w dół; dopasować do siebie dwa otwory montażowe w osłonie z dwoma otworami montażowymi w płycie montażowej WYCINARKI ROTACYJNEJ. Upewnić się, że osłona jest ustawiona w takim kierunku jak na rysunku poniżej, łukiem wokół zębów tnących. (Rys. B8).
- Przykręcić osłonę kluczem imbusowym.
- Na czas pracy należy zdjąć z ostrza osłonę.

UŻYTKOWANIE

⚠️ OSTRZEŻENIE: Nie wolno dopuścić do tego, aby znajomość narzędzia doprowadziła do nieuwagi. Należy pamiętać, że do spowodowania poważnych obrażeń wystarczy zaledwie chwila nieuwagi.

⚠️ OSTRZEŻENIE: Należy zawsze nosić środki ochrony oczu i uszu. Nieprzestrzeganie tego zalecenia może doprowadzić do poważnych obrażeń oczu odłamkiem lub skrawkiem materiału wyrzuconym przez pracujące narzędzie, a także grozi innymi możliwymi urazami.

⚠️ OSTRZEŻENIE: Nie należy używać końcówek lub akcesoriów innych niż zalecane przez producenta produktu. Używanie końcówek lub akcesoriów innych niż zalecane może doprowadzić do poważnych obrażeń.

⚠️ OSTRZEŻENIE: Aby uniknąć poważnych obrażeń ciała, przed serwisowaniem, czyszczeniem, wymianą osprzętu dodatkowego oraz usuwaniem materiału należy zawsze odłączyć od narzędzia akumulator.

Urządzenia można używać wyłącznie do celów podanych poniżej:

Cięcie: używać do koszenia trawy wokół Słupków lub balustrad, krawędzi ścian, krawężników, plotów i barierek lub do przycinania roślinności na parkingach.

UWAGA: Podczas używania WYCINARKI ROTACYJNEJ, należy pilnować, aby narzędzie nie wyrzucało w powietrze żadnych przedmiotów, ponieważ stwarza to różnego rodzaju zagrożenia, np. wybijcia okien, wgniecenia karoserii aut, zniszczenia ogrodzeń, odarcia kory drzew lub urazów osób.

PODŁĄCZANIE/ODŁĄCZANIE AKUMULATORA (Rys. C)

Naładować przed pierwszym użyciem.

Dopasować do siebie symbol ▲ na wtyczce i symbol ▲ na narzędziu. Włożyć wtyczkę do narzędzia tak, aby zielona uszczelka całkowicie schowała się w gnieździe wtykowym.

Aby odłączyć akumulator, wystarczy odłączyć wtyczkę, którą należy przytrzymać i pociągnąć do tyłu.

WŁĄCZANIE/WYŁĄCZANIE NARZĘDZIA (STX3800 I BCX3800)

Patrz część „WŁĄCZANIE/WYŁĄCZANIE PODKASZARKI/KOSY DO ZAROŚLI” w instrukcji obsługi STX3800/BCX3800.

UŻYWANIE NARZĘDZIA

⚠️ OSTRZEŻENIE: Aby uniknąć poważnych obrażeń ciała, podczas używania narzędzia należy zawsze nosić gogle lub okulary ochronne. Podczas pracy przy silnym zapyleniu należy nosić osłonę na twarz lub maskę przeciwpyłową.

Przed każdym użyciem narzędzia należy uprzątnąć teren pracy. Usunąć wszystkie przedmioty takie jak kamienie, potłuczone szkło, gwoździe, kawałki drutu lub sznurka itp., które mogą zostać wyrzucone w powietrze lub mogą zaplątać się w końcówkę tnącą. Z terenu, który ma zostać skoszony wyprosić dzieci i osoby postronne oraz wygonić zwierzęta. Jako minimum dzieci i osoby postronne oraz zwierzęta muszą znajdować się w odległości 15 m, jednak taka odległość nadal nie eliminuje całkowicie ryzyka trafienia wyrzuconymi w powietrze przedmiotami. Osoby postronne należy zachęcać do noszenia okularów ochronnych. Jeśli do użytkownika zbliży się jakaś osoba, należy natychmiast wyłączyć silnik i zatrzymać końcówkę tnącą.

Przed każdym użyciem należy sprawdzić, czy jakieś części nie są uszkodzone lub zużyte.

Należy skontrolować głowicę WYCINARKI ROTACYJNEJ, osłonę i uchwyt oraz wymienić części pęknięte, wypaczone, skrzywione lub uszkodzone w jakikolwiek sposób.

⚠ OSTRZEŻENIE: Na czas mocowania osłony lub obsługi ostrza należy zawsze zakładać rękawice. Należy uważać na ostrze i chronić dłoń przed skaleczeniem.

Po każdym użyciu należy wyczyścić narzędzie.

⚠ OSTROŻNIE: Zanieczyszczenia w otworach wentylacyjnych uniemożliwiają dopływ powietrza do obudowy silnika i w efekcie prowadzą do przegrzania się i uszkodzenia silnika.

- Do czyszczenia narzędzia należy używać wyłącznie łagodnego mydła i wilgotnej ściereczki. Do środka urządzenia nie mogą się dostać żadne płyny, nie wolno też zanurzać części urządzenia w jakiegokolwiek cieczy.
- Otwory wentylacyjne w obudowie silnika nie mogą być nigdy zabrudzone.

PL

KONSERWACJA

⚠ OSTRZEŻENIE: Podczas serwisowania należy używać wyłącznie części zamiennych identycznych z oryginalnymi. Narzędzie należy regularnie kontrolować i konserwować. Aby zagwarantować bezpieczeństwo i niezawodność, wszystkie naprawy powinny być wykonywane przez wykwalifikowanych techników serwisu.

⚠ OSTRZEŻENIE: Narzędzia akumulatorowe nie wymagają podłączenia do kontaktu elektrycznego i dlatego są zawsze gotowe do pracy. Aby zapobiec poważnym urazom ciała, podczas wykonywania czynności konserwacyjnych, w czasie serwisowania lub wymiany końcówek tnących lub innych należy stosować dodatkowe środki ostrożności.

⚠ OSTRZEŻENIE: Aby uniknąć poważnych obrażeń ciała, przed serwisowaniem, czyszczeniem, wymianą osprzętu dodatkowego i usuwaniem z narzędzia materiału należy zawsze wyjmować z narzędzia akumulator.

WYMIANA OSTRZA WYCINARKI ROTACYJNEJ

⚠ OSTRZEŻENIE: Jeżeli po zamocowaniu ostrza obluźują się lub zużywają, należy je natychmiast wymienić. Nigdy nie należy używać narzędzia z poluzowaną lub niedziałającą końcówką tnącą.

Zapoznanie się z głowicą WYCINARKI ROTACYJNEJ pokazaną na Rys. D1.

D-1	Nasadka	D-5	Podkładka
D-2	Ostrze górne	D-6	Prowadnica
D-3	Ostrze dolne	D-7	Nakrętka
D-4	Nakładka		

- Położyć i oprzeć na solidnej powierzchni obudowę przekładni WYCINARKI ROTACYJNEJ. Zamocować ostrze dolne i górne zaciskami lub w imadle i odkręcić nakrętkę kluczem (Rys. D2).
 - Kolejno zdjąć: nakrętkę, prowadnicę, podkładkę, nakładkę, ostrze dolne, ostrze górne i nasadkę, tak jak na Rys. D1.
 - Przed założeniem nowych ostrzy nałożyć na walek nasadkę (Rys. D3). Nałożyć ostrze górne z dużym sześciokątnym otworem na walek w taki sposób, aby powierzchnia z logo „EGO” była skierowana w stronę obudowy przekładni (Rys. D4), następnie nałożyć ostrze dolne z małym otworem sześciokątnym na walek w taki sposób, aby powierzchnia z logo „EGO” była skierowana w stronę operatora (Rys. D5).
- UWAGA:** Należy dopilnować, aby sześciokątne otwory na ostrzach i sześciokątny wypustek na walek dopasowały się do siebie. Inaczej, po odwrotnym zamontowaniu ostrzy, WYCINARKA ROTACYJNA nie będzie mogła pracować prawidłowo, co doprowadzi do zniszczenia ostrzy.
- Podczas składania należy przestrzegać kolejności pokazanej na Rys. D1.

SMAROWANIE OBUDOWY PRZEKŁADNI

Aby narzędzie działało optymalnie i przez długi czas, po każdych 50 godzinach użytkowania, przekładnię należy nasmarować specjalnym smarem (każdorazowo około 4-5 g).

Smar ten powinien spełniać następujące wymagania:

- Należać do klasy DIN51818: stopień NLGI-1 w badaniu penetracji sondą stożkową.
- Smar na bazie estrów.
- Posiadać znakomite właściwości w warunkach uruchamiania na zimno i podczas zwiększonego nacisku (EP), doskonałą odporność na ścinanie mechaniczne i ścieranie oraz własności stabilizujące utlenianie.
- Temperatura pracy musi zawierać przedział od -40°C do 180°C. Odkręcić śrubę uszczelniającą. Wprowadzić smar do obudowy przekładni przez otwór smarowy.

⚠ OSTRZEŻENIE: Gdy narzędzie jest nadal podłączone do akumulatora lub włączone, nie należy przeprowadzać smarowania.

CZYSZCZENIE URZĄDZENIA

- Wyrób należy czyścić wilgotną ściereczką i łagodnym detergentem.
- Do czyszczenia części plastikowych lub uchwytu nie należy używać jakichkolwiek silnych detergentów. Mogą one zostać uszkodzone przez niektóre olejki aromatyczne, takie jak olejek sosnowy i cytrynowy oraz przez rozpuszczalniki takie jak nafta. Wilgoć może także spowodować porażenie prądem. Wszelką wilgoć należy wycierać miękką suchą ściereczką.

PRZECHOWYWANIE URZĄDZENIA

- Gdy narzędzie nie będzie używane, należy wyjąć z niego akumulator.
- Przed schowaniem dokładnie wyczyścić narzędzie.
- Urządzenie należy przechowywać w suchym i przewiewnym miejscu niedostępnym dla dzieci: albo pod kluczem, albo wystarczająco wysoko. Urządzenia nie należy przechowywać na nawozach lub w ich pobliżu, to samo dotyczy podłoży zanieczyszczonych benzyną i substancjami chemicznymi.
- Podczas transportu i przechowywania należy używać pokrowca transportowego na metalowe ostrza.

Ochrona środowiska



WEEE (Zużyty sprzęt elektryczny i elektroniczny)

Urządzeń elektrycznych, zużytych akumulatorów i ładowarki nie należy wyrzucać do zwykłych zmieszanych śmieci domowych! Produkt należy oddać do zbiórki selektywnej w autoryzowanym punkcie recyklingu. Narzędzia elektryczne należy oddawać do zakładów recykling przyjaznych dla środowiska.

ROZWIĄZYWANIE PROBLEMÓW

PROBLEM	PRZYCZYNA	ROZWIĄZANIE
WYCINARKA ROTA- CYJNA nie włącza się.	<ul style="list-style-type: none"> ■ Akumulator nie jest poprawnie podłączony do głowicy. ■ Akumulator jest rozładowany. ■ Dźwignia odblokowująca i przełącznik spustowy nie zostały wciśnięte jednocześnie. 	<ul style="list-style-type: none"> ■ Podłączyć akumulator do głowicy. ■ Naładować akumulator jedną z ładowarek EGO podanych w niniejszym podręczniku. ■ Aby włączyć narzędzie, wcisnąć i przytrzymać dźwignię odblokowującą, a następnie nacisnąć spust.
WYCINARKA ROT- ACYJNA wyłącza się podczas cięcia.	<ul style="list-style-type: none"> ■ Silnik jest przeciążony. ■ Akumulator jest zbyt gorący. ■ Akumulator jest odłączony od narzędzia. 	<ul style="list-style-type: none"> ■ Gdy tylko obciążenie zostanie usunięte, silnik wznowi pracę. W przypadku pracy ciągłej należy zmniejszyć obciążenie WYCINARKI ROTACYJNEJ i unikać cięcia na dużą głębokość; zamiast tego należy stopniowo wykonywać coraz głębsze nacięcia. ■ Należy pozwolić, aby akumulator ostygł w sposób naturalny. Aby przyspieszyć stygnięcie, można na akumulator skierować strumień powietrza. ■ Ponownie podłączyć akumulator.

PL

GWARANCJA

POLITYKA GWARANCYJNA EGO

W celu zapoznania się z wszystkimi warunkami polityki gwarancyjnej EGO prosimy odwiedzić stronę egopowerplus.com.

PŘEČTĚTE SI VŠECHNY POKYNY!



PŘEČTĚTE SI NÁVOD K OBSLUZE

⚠ Zbytkové riziko! Lidé s elektronickými přístroji, jako jsou např. kardiostimulátory, by se měli před použitím toho výrobku poradit se svým lékařem. Použití elektrického zařízení v těsné blízkosti kardiostimulátoru může způsobit narušení činnosti nebo poruchu kardiostimulátoru.

⚠ VAROVÁNÍ: Z důvodu bezpečnosti by měl všechny opravy a výměny provádět kvalifikovaný servisní technik.

SYMBOL IP

Účelem bezpečnostních symbolů je upoutat vaši pozornost k případným nebezpečím. Bezpečnostní symboly a jejich vysvětlení vyžadují vaši zvýšenou pozornost a porozumění. Výstražné symboly samy o sobě nevylučují žádné nebezpečí. Pokyny a varování nejsou náhradou vhodných opatření pro prevenci úrazů.

⚠ VAROVÁNÍ: Před použitím tohoto nástroje si přečtěte a seznamte se se všemi bezpečnostními pokyny v tomto návodu k obsluze včetně veškerých výstražných symbolů jako např. „**NEBEZPEČÍ**“, „**VAROVÁNÍ**“ a „**UPOZORNĚNÍ**“. Nedodržení níže uvedených pokynů může mít za následek úraz elektrickým proudem, požár nebo vážná poranění osob.

VÝZNAM SYMBOLŮ

⚠ BEZPEČNOSTNÍ VÝSTRAŽNÉ SYMBOLY: Označují **NEBEZPEČÍ**, **VAROVÁNÍ**, **NEBO UPOZORNĚNÍ** a mohou se použít ve spojení s dalšími symboly nebo piktogramy.

⚠ VAROVÁNÍ: Při použití elektrického nářadí může dojít k vymrštění cizích těles do očí, což může způsobit jejich závažné poškození. Před použitím elektrického nářadí si vždy nasadte ochranné brýle, ochranné brýle s bočními kryty nebo v případě potřeby obličejový štít. Na brýle nebo standardní ochranné brýle s bočními kryty doporučujeme použít ochrannou masku.

BEZPEČNOSTNÍ POKYNY

Na této stránce jsou zobrazeny a popsány bezpečnostní symboly, které se mohou objevit na výrobku. Před montáží a provozem si přečtěte, seznamte se a dodržujte veškeré pokyny ke stroji.

	Bezpečnostní upozornění	Bezpečnostní opatření týkající se vaší bezpečnosti.
	Přečtěte si návod k obsluze	Z důvodu snížení rizika úrazu si musí uživatel před použitím tohoto výrobku přečíst a seznámit se s návodem k obsluze.
	Používejte ochranu očí	Při používání tohoto výrobku vždy noste ochranné brýle, ochranné brýle s bočními kryty nebo obličejový štít.
	Používejte chrániče sluchu	Při práci s tímto výrobkem vždy používejte chrániče sluchu.
	Používejte ochranu hlavy	K ochraně hlavy používejte schválenou pevnou ochrannou přilbu.
	Používejte ochranné rukavice	Chraňte své ruce rukavicemi při manipulaci s čepeli nebo chráničem čepel.
	Používejte ochrannou obuv	Při použití tohoto zařízení noste protiskluzovou bezpečnostní obuv.
	Dejte si pozor na zpětný ráz	Upozorněte obsluhu na nebezpečí zpětného rázu.
	Nebezpečí odrazu a Udržování ostatních osob v bezpečné vzdálenosti	Vržené objekty se mohou odrazit a mít za následek zranění osob nebo poškození majetku. Když křovinořez používáte, udržujte od ostatních osob a domácích zvířat bezpečnou vzdálenost
	Udržujte ostatní osoby v bezpečné vzdálenosti	Když strunovou sekačku používáte, udržujte od ostatních osob a domácích zvířat bezpečnou vzdálenost aspoň 15 m.
	Bez kulatých čepelí	Neinstalujte kulaté řezací čepel.
	WEEE	Odpadní elektrické výrobky se nesmí likvidovat s domovním odpadem. Odevzdejte do autorizovaného recyklačního střediska.

CZ

	Hlučnost	Garantovaná hladina akustického výkonu. Emise hluku do prostředí dle směrnice Evropského společenství.
	CE	Tento výrobek je v souladu s platnými směrnice ES.
V	Volt	Napětí
n ₀	Rychlost při chodu naprázdno	Otáčky při chodu naprázdno
min ⁻¹	Za minutu	Otáčky za minutu
	Stejnosemenný proud	Druh nebo vlastnosti proudu
kg	Kilogram	Hmotnost

CZ

DŮLEŽITÉ BEZPEČNOSTNÍ POKYNY

VAROVÁNÍ: Prostudujte všechny bezpečnostní výstrahy, pokyny, ilustrace a technické údaje dodané s tímto elektrickým nářadím. Nedodržení všech níže uvedených pokynů může vést k úrazu elektrickým proudem, požáru a/nebo vážnému úrazu

Všechna varování a pokyny si uschovejte pro budoucí použití.

- Vyhněte se nebezpečnému prostředí – nepoužívejte zařízení na vlhkém nebo mokřém svahu.
- Veškeré chrániče musejí být instalovány na příslušných místech a musejí být v dobrém stavu.
- Udržujte ruce a nohy v bezpečné vzdálenosti od prostoru sečení.
- Pro snížení rizika úrazu nikdy nepracujte na žebříku nebo jiné nestabilní opěře. Nikdy nedržte žací jednotku nad úroveň pasu.
- Žací jednotku kontrolujte při práci v pravidelných intervalech, nebo okamžitě v případě zjevné změny v chodu sekání.
- Chcete-li dosáhnout co nejlepších výsledků, nabíjejte akumulátor v místě, kde je teplota v rozmezí od 5 do 40 °C. Neskladujte jej venku nebo ve vozidle.
- Pokud se k vám někdo blíží, okamžitě vypněte motor a žací jednotku.

- **Upozorněte obsluhu na nebezpečí zpětného rázu.**
- Ke zpětnému rázu může dojít při kontaktu otáčející se čepel s objektem, který není okamžitě přerušeno.
- Zpětný ráz může být dost silný, aby způsobil pohyb zařízení a/nebo obsluhy v libovolném směru a může taky vést ke ztrátě kontroly nad zařízením.
- Ke zpětnému rázu může dojít bez varování, jestliže se čepel zadrhne, zastaví nebo zasekne.
- Zpětný ráz je pravděpodobnější v oblastech, kde je obtížné vidět sečený materiál.
- **Na přístroj nepřipojujte žádnou čepel bez řádné instalace všech potřebných dílů. Pokud se nepoužijí správné díly, může dojít k odletění čepel a vážnému poranění obsluhy a/nebo kolemstojících. Zlikvidujte čepel, které jsou ohnuté, zdeformované, popraskané, rozbité nebo jinak jakkoli poškozené. Používejte ostrou čepel. Tupá čepel se dříve zadrhne a odskočí.**
- Volnoběžná čepel/struna může způsobit zranění, když se dále otáčí potom, co je motor zastaven nebo je uvolněn spínač. Zařízení řádně ovládejte, dokud čepel/struna zcela nezastaví svoje otáčení.
- Akumulátorové nářadí se nemusí zapojovat do elektrické zásuvky, proto je vždy v provozním stavu. Nezapomínejte na možná rizika ani v případě, že je nářadí vypnuté. Dbejte opatrnosti při údržbě.
- K mytí nepoužívejte hadici; dbejte, aby se do motoru a elektrických přípojek nedostala voda.
- Pokud nastane situace, která není popsána v tomto návodu, situaci řádně zvažte a použijte zdravý úsudek. Obratě se na zákaznické servisní středisko EGO se žádostí o pomoc.

ULOŽTE SI TYTO POKYNY!

SPECIFIKACE

Otáčky naprázdno	Až 450/min
Žací čepel	ABR2300
Doporučená provozní teplota	0 °C-40 °C
Doporučená teplota skladování	-20 °C-70 °C
Optimální teplota nabíjení	5 °C-40 °C
Hmotnost	1,9 kg
Měřená hladina akustického výkonu L _{WA}	96,1 dB(A) K = 3,8 dB (A)

Hladina akustického tlaku na sluch obsluhy L_{PA}		83,2 dB(A) K = 2,5 dB(A)	
Zaručená úroveň akustického výkonu L_{WA} (měřena podle 2000/14/ES)		100 dB(A)	
Hodnota vibrací a_n :	Stroj	se STX3800	s BCX3800
	Levá rukojeť	0,7 m/s ² K = 1,5 m/s ²	0,6 m/s ² K = 1,5 m/s ²
	Pravá rukojeť		

- Celková deklarovaná hodnota vibrací byla naměřena podle standardní zkušební metody a lze ji použít ke srovnání s jiným nářadím;
- Celkovou deklarovanou hodnotu vibrací lze použít také k předběžnému stanovení expozičních limitů.

POZNÁMKA: Emise vibrací při konkrétním použití elektrického nářadí se mohou lišit od deklarované hodnoty, při které se nářadí používá; z důvodu ochrany provozovatele by měl uživatel ve skutečných pracovních podmínkách nosit rukavice a chrániče sluchu.

POPIS

SEZNAMTE SE S VAŠIM ZAŘÍZENÍM ROTOCUT

(obr. A)

1. Těsnící šroub
2. Převodová skříň
3. Čepel
4. Pouzdro čepele
5. Sestava chrániče
6. Klíč
7. Imbusový klíč
8. Pouzdro (pro použití s trubkou o průměru 25 mm)

OBSAH BALENÍ

NÁZEV DÍLU	MNOŽSTVÍ
ROTOCUT	1
Sestava chrániče	1
Klíč	1
Imbusový klíč	1
Pouzdro	1
Návod k obsluze	1

MONTÁŽ

VAROVÁNÍ: Pokud jsou některé díly poškozené, nebo chybí, výrobek nepoužívejte, dokud nedojde k jejich výměně. Použití tohoto výrobku s poškozenými nebo chybějícími díly může vést k vážnému úrazu.

VAROVÁNÍ: Nepokoušejte se výrobek upravovat ani vytvářet příslušenství, které se k tomuto výrobku nedoporučuje. Každá taková změna nebo úprava představuje špatné použití a může vést k nebezpečné situaci, která může zapříčinit vážný úraz.

VAROVÁNÍ: Pokud provádíte montáž dílů, vždy odpojte konektor akumulátoru ze zásuvky, aby nedošlo k neúmyslnému spuštění, které může způsobit vážný úraz.

VÝMĚNA STRUNOVÉ HLAVY ZA HLAVU ROTOCUT

1. Přidržte strunovou sekačku/křovinořez a pomocí imbusového klíče odstraňte chránič strunové sekačky, strunovou hlavu a převodovou skříň z hnacího hřídele (obr. B1-B3). Hnací hřídel bude později použit pro montáž hlavy ROTOCUT.
2. Vyměňte ROTOCUT z obalu, povolte dva šrouby č. 1 a přidržte je na upevňovací desce, povolte a vyměňte šroub č. 2 z upevňovací desky. (Obr. B4)

B-1	Šroub č. 1	B-3	Upevňovací deska
B-2	Šroub č. 2		

3. Poté vložte hlavu ROTOCUT na hnací hřídel vyjmutou v kroku 1 a ujistěte se, že otvor šroubu B-2 je zarovnan s otvorem na hnací hřídeli (obr. B5).
4. Nejprve zasuňte šroub B-2 a utáhněte jej, poté utáhněte dva šrouby B-1 (obr. B6).
5. Vyměňte chránič ROTOCUT z obalu a povolte dva šrouby na chrániči. Demontujte a zajistěte dva šrouby a pružinové podložky z chrániče (obr. B7).
6. Zvedněte hlavu ROTOCUT a přetočte ji směrem dolů; srovnajte dva montážní otvory v chrániči se dvěma šrouby, které jsou předmontovány na upevňovací desce ROTOCUT. Ujistěte se, že směr chrániče je jako na obrázku níže, obloukový tvar kolem řezných zubů. (Obr. B8).
7. Pomocí imbusového klíče zajistěte chránič na místě.
8. Během provozu odstraňte z čepele její pouzdro.

CZ

POUŽITÍ

VAROVÁNÍ: Dbejte na to, abyste po seznámení s výrobkem nepřestali být opatrní. Nezapomínejte, že stačí chvilke nepozornosti a může se stát vážný úraz.

VAROVÁNÍ: Vždy používejte ochranu zraku spolu s chrániči sluchu. Pokud tak neuděláte, může dojít k vymrštění předmětu do očí, nebo případně jiným vážným úrazům.

VAROVÁNÍ: Nepoužívejte nástavce nebo příslušenství, které nedoporučuje výrobce tohoto výrobku. Použití nedoporučených nástavců a příslušenství může vést k vážnému úrazu.

VAROVÁNÍ: Před servisem, čištěním, výměnou nástavců nebo odstraněním materiálu vyjměte akumulátor z nářadí, aby nedošlo k vážnému úrazu.

Výrobek lze použít k následujícím účelům:

Sekání: se používá pro sekání trávy kolem kolíků nebo zábradlí, okrajů zdí, obrubníků, plotů za provozu nebo zastíhování vegetace na parkovištích.

POZNÁMKA: Při používání zařízení ROTOCUT zajistěte, aby nedošlo k odhození žádných cizích předmětů, což by znamenalo velká rizika: rozbitá okna, karoserie aut, poškozené ploty, poničená kůra stromů nebo zranění osob.

PŘIPOJENÍ/ODPOJENÍ AKUMULÁTORU (obr. C)

Před prvním použitím akumulátor plně nabijte.

Zarovnejte ▲ zástrčky s ▲ stroje. Zasuňte zástrčku do stroje, dokud zelené těsnění zcela nezmqízí do zásuvky.

Chcete-li akumulátor odpojit, stačí jej odpojit přidržením a zatažením dozadu.

SPUŠTĚNÍ/VYPNUTÍ NÁŘADÍ (PRO STX3800 & BCX3800)

Viz část „SPUŠTĚNÍ/ZASTAVENÍ STRUNOVÉ SEKAČKY/KŘOVINOŘEZU“ v návodu k obsluze STX3800/BCX3800.

POUŽITÍ NÁŘADÍ

VAROVÁNÍ: Aby nedošlo k vážnému úrazu, při práci s tímto nářadím vždy používejte ochranné brýle. V prašném prostředí používejte ochrannou masku nebo protiprachový respirátor.

Před každým použitím vyčistěte prostor, kde budete zařízení používat. Odstraňte veškeré předměty, jako jsou např.

kameny, rozbité sklo, hřebíky, dráty nebo provazy, které mohou být odhozeny, nebo se mohou do žacího nástavce zaplést. Z prostoru vyžehňte děti, ostatní osoby a domácí zvířata. Minimální bezpečná vzdálenost pro děti, ostatní osoby a domácí zvířata je 15 m; stále však hrozí riziko zasažení ostatních osob vymrštěnými předměty. Ostatním osobám doporučte použití ochrany očí. Pokud se k vám někdo blíží, okamžitě vypněte motor a žací příslušenství.

Před každým použitím zkontrolujte poškozené/opotřebené díly

Zkontrolujte hlavu ROTOCUT, chránič, obloukovou rukojeť a vyměřte díly, které jsou prasklé, zdeformované, ohnuté nebo jinak poškozené.

VAROVÁNÍ: Při montáži chrániče nebo servisu čepele vždy používejte rukavice. Pozor na hranu chrániče. Chraňte si ruce před pořezáním.

Po každém použití nářadí vyčistěte.

UPOZORNĚNÍ: Překážky ve větracích otvorech zabrání proudění vzduchu do krytu motoru, což povede k jeho přehřátí nebo poškození.

- K čištění nářadí používejte pouze neagresivní mýdlo a vlhký hadr. Dbejte na to, aby do nářadí nepronikla žádná kapalina; žádný díl tohoto nářadí nikdy neponořujte do kapaliny.
- Udržujte větrací otvory krytu motoru vždy v čistotě.

ÚDRŽBA

VAROVÁNÍ: Při opravách používejte pouze originální náhradní díly. Pravidelně stroj kontrolujte a udržujte. Z důvodu bezpečnosti by měl všechny opravy provádět kvalifikovaný servisní technik.

VAROVÁNÍ: Akumulátorové nářadí se nemusí zapojovat do elektrické zásuvky, proto je vždy v provozním stavu. Aby nedošlo k vážnému úrazu, věnujte zvýšenou pozornost a péči údržbě, servisu, výměně žacího nebo jiného nástavce.

VAROVÁNÍ: Aby nedošlo k vážnému úrazu, akumulátor před servisem, čištěním, výměnou nástavců nebo odstraněním materiálu nářadí vyjměte.

VÝMĚNA ČEPELE ROTOCUT

VAROVÁNÍ: Pokud se čepele po upevnění na svém místě uvolní nebo jsou hodně opotřebené, okamžitě je vyměřte. Nikdy nepoužívejte nářadí s uvolněným žacím nástavcem.

Seznamte se s hlavou ROTOCUT (viz obr. D1).

D-1	Pouzdro hřídele	D-5	Podložka
D-2	Horní čepel	D-6	Kluzná míska
D-3	Spodní čepel	D-7	Matice
D-4	Podpěra		

1. Položte převodovou skříň na pevnou podložku pro získání opory. Upněte horní a spodní čepele pomocí kleští nebo ve svěráku, poté pomocí klíče uvolněte matici (obr. D2).
2. Demontujte matici, kluznou mísku, podložku, podpěru, spodní čepel, horní čepel a hřídel postupně tak, jak je znázorněno na obr. D1.
3. Před instalací nové čepele nasadte pouzdro hřídele na hřídel (obr. D3). Nasadte horní čepel s velkým šestihřanným otvorem na hřídel s natištěným logem „EGO“ otočeným směrem k převodovce (obr. D4), potom vložte spodní čepel s malým šestihřanným otvorem na hřídel s natištěným logem „EGO“ směřujícím k obsluze (obr. D5).

POZNÁMKA: Ujistěte se, že jsou šestihřanné otvory na čepelích a osazení šestihřanného hřídele na svém místě. Pokud jsou čepele namontovány opačně, nemůže ROTOCUT správně fungovat a dojde k poškození čepelí.

4. Pro opětovné sestavení postupujte podle pořadí znázorněného na obr. D1.

MAZÁNÍ PŘEVODOVÉ SKŘÍŇE

Pro nejlepší provoz a delší životnost mažte převodovou skříň speciálním mazivem (pokaždé přibližně 4-5 g) po každých 50 hodinách provozu.

Speciální mazivo musí splňovat následující požadavky.

1. Patří do DIN51818: Stupeň kuželové penetrace NLGI-1.
2. Esterové mazivo.
3. Vynikající spouštění při nízkých teplotách, EP, mechanický stříh, odolnost proti otěru a vlastnosti oxidativní stability.
4. Provozní teplota musí být od -40 °C do 180 °C. Demontujte těsnící šroub. Převodovou skříň mažte přes otvor pro olej.

VAROVÁNÍ: Mazání neprovádějte, když je nářadí stále připojené k akumulátoru nebo je v provozu.

ČIŠTĚNÍ NÁŘADÍ

- Nářadí čistěte vlhkým hadrem s neagresivním čistícím prostředkem.
- Na plastový kryt nebo rukojeť nepoužívejte žádné silné

čisticí prostředky. Mohou být poškozeny některými aromatickými oleji, jako např. borovicovým nebo citronovým, a rozpouštědly, jako např. petrolejem. Vlhkost může rovněž způsobit riziko úrazu elektrickým proudem. Veškerou vlhkost setřete suchým měkkým hadrem.

SKLADOVÁNÍ NÁŘADÍ

- Pokud nářadí nepoužíváte, vyjměte z něj akumulátor.
- Nářadí před uskladněním řádně vyčistěte.
- Nářadí skladujte na suchém, dobře větraném, uzamčeném nebo vyvýšeném místě mimo dosah dětí. Nářadí neskladujte v blízkosti hnojiv, benzínu nebo jiných chemických látek.
- Na kovové čepele během přepravy a skladování použijte přepravní kryt.

Ochrana životního prostředí



WEEE (Odpadní elektrická a elektronická zařízení)

Elektrické zařízení, nabíječku a baterie / nabíjecí baterie nevhazujte do domovního odpadu! Předějte tento výrobek autorizované recyklační společnosti ke tříděnému sběru. Elektrické nářadí musí být vráceno do zařízení k ekologické recyklaci.

ODSTRAŇOVÁNÍ ZÁVAD

PROBLÉM	PŘÍČINA	ŘEŠENÍ
ROTOCUT se nespustí.	<ul style="list-style-type: none">■ Akumulátor není správně připojen k pohonné hlavě.■ Akumulátor je vybitý.■ Páka pojistky a spoušť nejsou stisknuté současně.	<ul style="list-style-type: none">■ Připojte akumulátor na pohonnou hlavou.■ Nabijte akumulátor pomocí nabíječek EGO, které jsou uvedeny v tomto návodu k obsluze.■ Zatlačte jistící páčku a podržte ji, pak stiskněte spoušť pro zapnutí stroje.
Při sekání se ROTO-CUT zastaví.	<ul style="list-style-type: none">■ Motor je přetížen.■ Akumulátor je příliš horký.■ Akumulátor je odpojený od nářadí.	<ul style="list-style-type: none">■ Motor se zotaví po odstranění zátěže. Pro kontinuální práci snižte zatížení zařízení ROTO-CUT a vyhněte se sekání na krátko. Místo toho sekejte trávu postupně.■ Nechte akumulátor přirozeně vychladnout nebo zrychlete chlazení pomocí vzduchu.■ Znovu zapojte akumulátor.

CZ ZÁRUKA

ZÁRUKA SPOLEČNOSTI EGO

Úplné záruční podmínky společnosti EGO naleznete na webové stránce egopowerplus.com.

PREČÍTAJTE SI VŠETKY POKYNY!



PREČÍTAJTE SI NÁVOD NA OBSLUHU.

⚠ Zvyškové riziko! Ľudia s elektronickými zariadeniami, napríklad kardiostimulátorom, musia používanie tohto výrobku konzultovať so svojim lekárom. Použitie elektrických zariadení v tesnej blízkosti kardiostimulátora by mohlo spôsobiť rušenie alebo zlyhanie kardiostimulátora.

⚠ VAROVANIE: Pre zaistenie bezpečnosti a spoľahlivosti je nevyhnutné, aby všetky opravy a výmeny vykonával len kvalifikovaný servisný technik.

BEZPEČNOSTNÝ SYMBOL

Účelom bezpečnostných symbolov je upozorniť na možné nebezpečenstvá. Venujte príslušnú pozornosť a pochopte bezpečnostné symboly a ich vysvetlenia. Varovné symboly, samy o sebe, nedokážu eliminovať nebezpečenstvo.

Pokyny a varovania, ktoré obsahujú, nie sú náhradou za vhodné opatrenia na prevenciu úrazov.

⚠ VAROVANIE: Pred použitím tohto nástroja si prečítajte a pochopte všetky bezpečnostné pokyny v tomto návode na obsluhu, vrátane všetkých bezpečnostných výstražných symbolov, ako sú „**NEBEZPEČENSTVO**“, „**VAROVANIE**“ a „**UPOZORNENIE**“. Nedodržanie nižšie uvedených pokynov môže mať za následok úraz elektrickým prúdom, požiar a/alebo vážne zranenie.

VÝZNAM SYMBOLU

⚠ BEZPEČNOSTNÝ VÝSTRAŽNÝ SYMBOL: Označuje **NEBEZPEČENSTVO, VAROVANIE ALEBO UPOZORNENIE** a môže byť použitý v spojení s inými symbolmi alebo piktogramami.

⚠ VAROVANIE: Prevádzka akéhokoľvek elektrického náradia môže viesť k vymršteniu cudzích predmetov do vašich očí, čo môže spôsobiť vážne poškodenie zraku. Predtým, než začnete používať elektrické náradie, si vždy nasadte ochranné okuliare alebo ochranné okuliare s postrannými krytmi a prípadne celotvárový štít. Odporúčame použiť bezpečnostnú masku so širokým prierezom na okuliare alebo štandardné bezpečnostné okuliare s postrannými krytmi.

BEZPEČNOSTNÉ POKYNY

Táto strana zobrazuje a popisuje bezpečnostné symboly, ktoré sa objavujú na tomto výrobku. Pred pokusom o zostavenie a prevádzkovanie si prečítajte, pochopte a dodržiavajte všetky pokyny na stroji.

	Bezpečnostné upozornenie	Opatrenia, ktoré sa týkajú vašej bezpečnosti.
	Prečítajte si návod na obsluhu.	Ak chcete znížiť riziko zranenia, používateľ musí pred použitím tohto výrobku prečítať a pochopiť návod na obsluhu.
	Používajte ochranu zraku.	Pri práci s týmto výrobkom vždy noste ochranné okuliare alebo ochranné okuliare s postrannými krytmi a celotvárový štít.
	Používajte ochranu sluchu.	Pri práci s týmto výrobkom vždy používajte ochranu sluchu.
	Používajte ochranu hlavy.	Používajte schválenú bezpečnostnú prilbu na ochranu hlavy.
	Používajte ochranné rukavice.	Pri manipulácii s čepeľou alebo chráničom čepele si ruky chráňte rukavicami.
	Používajte ochrannú obuv.	Pri používaní tohto zariadenia noste protišmykovú bezpečnostnú obuv.
	Pozor na spätný ráz	Upozornite obsluhu na nebezpečenstvo spätného rázu.
	Odráža a ostatné osoby v bezpečnej vzdialenosti	Vymrštené objekty sa môžu odraziť a mať za následok zranenie osôb alebo poškodenie majetku. Keď krovinorez používate, udržiajte od ostatných osôb a domácich zvierat bezpečnú vzdialenosť.
	Udržiavajte okolostojace osoby v bezpečnej vzdialenosti.	Zabezpečte, aby ostatní ľudia a domáce zvieratá zostali vo vzdialenosti aspoň 15 m od strunovej kosačky, keď sa používa.
	Bez okružlej čepele	Neinštalujte okružle rezacie čepele.
	WEEE	Odpadové elektrické výrobky sa nesmú likvidovať spolu s domovým odpadom. Odovzdajte do autorizovaného recyklačného strediska.

SK

	Hluk	Garantovaná hladina akustického výkonu. Emisie hluku do prostredia podľa smernice Európskeho spoločenstva.
	CE	Tento výrobok je v súlade s platnými smernicami ES.
V	Volt	Napätie
n_0	Rýchlosť bez zaťaženia	Rýchlosť otáčania, bez záťaže
min ⁻¹	Za minútu	Otáčky za minútu
	Jednosmerný prúd	Typ alebo charakteristika prúdu
kg	Kilogram	Hmotnosť

DÔLEŽITÉ BEZPEČNOSTNÉ POKYNY

VAROVANIE: Prečítajte si všetky bezpečnostné výstrahy, pokyny, ilustrácie a technické údaje dodané s týmto elektrickým nástrojom. Nedodržanie nižšie uvedených pokynov môže mať za následok úraz elektrickým prúdom, požiar a/alebo vážne zranenie.

Všetky varovania a pokyny si ponechajte pre prípadnú potrebu v budúcnosti.

- Vyhnite sa nebezpečným prostrediam - Nepoužívajte spotrebič na vlhkom alebo mokrom svahu.
- Majte chrániče nasadené a vo funkčnom stave.
- Udržujte ruky a nohy v bezpečnej vzdialenosti od rezacieho priestoru.
- Za účelom zníženia rizika zranenia nikdy nepracujte na rebríku alebo na inom nestabilnom podklade. Nikdy nedržte rezáciu jednotku nad úrovňou pásu.
- Počas prevádzky kontrolujte rezáciu jednotku v pravidelných krátkych intervaloch, alebo ihneď, ak vznikne nápadná zmena v charakteristike rezania.
- Pre dosiahnutie najlepších výsledkov je potrebné akumulátory nabíjať na mieste, kde je teplota vyššia ako 5 °C a nižšia ako 40 °C. Neskladujte akumulátory vonku alebo vo vozidlách.
- Ak sa k vám niekto blíži, ihneď vypnite motor a rezáciu jednotku.
- Upozornite obsluhu na nebezpečenstvo spätného rázu.

- K spätnému rázu môže dôjsť pri kontakte otáčajúcej sa čepele s objektom, ktorý nie je okamžite prerazený.
- Spätný ráz môže byť dosť silný, aby spôsobil pohyb prístroja a/alebo používateľa v ľubovoľnom smere a môže tiež viesť k strate kontroly nad prístrojom.
- K spätnému rázu môže dôjsť bez varovania, ak sa čepeľ zadrhne, zastaví alebo zasekne.
- Spätný ráz je pravdepodobnejší v oblastiach, kde je náročné vidieť rezaný materiál.
- **Nepripájajte žiadnu čepeľ na prístroj bez správnej inštalácie všetkých potrebných dielov. Ak sa nepoužijú správne diely, môže dôjsť k odleteniu čepele a vážnemu poraneniu obsluhy a/alebo okolostojacich osôb. Vyhodte čepele, ktoré sú ohnuté, zdeformované, popraskané, rozbité alebo inak akokoľvek poškodené. Používajte ostré čepele. Tupá čepeľ sa skôr zadrhne a odskočí.**
- Voľnobežná čepeľ/struna môže spôsobiť zranenie, keď sa ďalej otáča potom, čo je motor zastavený alebo spúšť uvoľnená. Dodržujte náležitú kontrolu, pokiaľ čepeľ/struna celkom nezastaví svoje otáčanie.
- Nástroje na batérie nemusia byť zapojené do elektrickej zásuvky; preto sú vždy v prevádzkovom stave. Buďte si vedomí možných rizík, aj keď sa nástroj nepoužíva. Buďte opatrní pri vykonávaní údržby alebo servisu.
- Neumývajte s hadicou; zabráňte tomu, aby sa voda dostala do motora a elektrických prípojk.
- Ak sa vyskytnú situácie, ktoré nie sú zahrnuté v tomto návode, dávajte pozor a použite zdravý úsudok. Obráťte sa na zákaznicke servisné stredisko EGO pre pomoc.

ODLOŽTE SI TIETO POKYNY!

TECHNICKÉ ÚDAJE

Rýchlosť naprázdno	Až 450/min
Strižná lišta	ABR2300
Odporúčaná prevádzková teplota	0°C - 40°C
Odporúčaná skladovacia teplota	- 20°C - 70°C
Optimálna teplota nabíjania	5°C - 40°C
Hmotnosť	1,9 kg
Nameraná hladina akustického výkonu L_{WA}	96,1 dB(A) K = 3,8 dB (A)

Hladina akustického tlaku na uši obsluhy L_{PA}	83,2 dB(A) K = 2,5 dB(A)		
Garantovaná hladina akustického výkonu L_{WA} (meraná podľa 2000/14/ES)	100 dB(A)		
Ohodnotenie vibrácií $a_{h,i}$:	Stroj	S STX3800	S BCX3800
	Ľavá rukoväť	0,7 m/s ² K = 1,5 m/s ²	0,6 m/s ² K = 1,5 m/s ²
	Pravá rukoväť		

- Deklarovaná celková hodnota vibrácií bola meraná v súlade so štandardnou skúšobnou metódou a môže sa použiť na vzájomné porovnanie jednotlivých náradí;
- Uvádzaná celková hodnota vibrácie sa môže použiť aj na predbežný odhad expozície.

POZNÁMKA: Emisia vibrácií pri skutočnom používaní náradia sa môže odlišovať od deklarovanej hodnoty, pri akej sa nástroj používa; Za účelom ochrany obsluhy má používateľ v skutočných podmienkach použitia nosiť rukavice a ochranu sluchu.

POPIS

ZOZNÁMTE SA S VAŠOU ROTAČNOU REZAČKOU

(obr. A)

1. Tesniaca skrutka
2. Prevodová skriňa
3. Čepel
4. Puzdro čepele
5. Zostava chrániča
6. Kľúč
7. Imbusový kľúč
8. Puzdro (na použitie s rúrkou s priemerom 25 mm)

OBSAH BALENIA

NÁZOV DIELU	MNOŽSTVO
ROTAČNÁ REZAČKA	1
Zostava chrániča	1
Kľúč	1
Imbusový kľúč	1
Puzdro	1
Návod na obsluhu	1

MONTÁŽ

VAROVANIE: Ak akýkoľvek diel chýba, alebo je poškodený, nepoužívajte tento výrobok, kým nie sú vymenené diely. Ak používate tento výrobok s poškodenými alebo chýbajúcimi časťami, môže dôjsť k vážnemu zraneniu.

VAROVANIE: Nepokúšajte sa upravovať tento výrobok alebo vytvoriť príslušenstvo, ktoré nie je odporúčané na použitie s týmto strojom. Každá takáto zmena alebo modifikácia sa považuje za zneužitie a môže spôsobiť nebezpečný stav, ktorý vedie k možnému vážnemu zraneniu.

VAROVANIE: Aby sa zabránilo náhodnému spusteniu, ktoré by mohlo viesť k vážnemu zraneniu, vždy pri montáži dielov vyťahnite prípojku akumulátora zo zásuvky.

VÝMENA HLAVICE KOSAČKY ZA HLAVICU

ROTAČNEJ REZAČKY

1. Podržte strunovú kosačku/krovinorez a pomocou imbusového kľúča odstráňte kryt strunovej kosačky, jej hlavicu a prevodovú skriňu z hnacieho hriadeľa (obr. B1-B3). Hnací hriadeľ sa neskôr použije na montáž ROTAČNEJ REZAČKY.
2. Vyberte ROTAČNÚ REZAČKU z obalu, povoľte dve skrutky č. 1 a pridržte ich na upevňovacej doske, uvoľnite a vyberte skrutku č. 2 z upevňovacej dosky. (obr. B4)

B-1	Skrutka č. 1	B-3	Upevňovacia doska
B-2	Skrutka č. 2		

3. Potom nasadíte hlavicu ROTAČNEJ REZAČKY na hnací hriadeľ odstránený v 1. kroku a uistite sa, že otvor skrutky B-2 je zarovnaný s otvorom na hnacom hriadeľi (obr. B5).
4. Najskôr zaskrutkujte skrutku B-2, utiahnite ju a potom utiahnite dve skrutky B-1 (obr. B6).
5. Odstráňte kryt ROTAČNEJ REZAČKY z obalu a povoľte dve skrutky na kryte. Odstráňte a odložte si dve skrutky a pružné podložky z krytu (obr. B7).
6. Zdvihnite hlavicu ROTAČNEJ REZAČKY a otočte ju smerom dole; zarovnajete dva montážne otvory v kryte s dvomi montážnymi otvormi na upevňovacej doske ROTAČNEJ REZAČKY. Uistite sa, že smer krytu je podľa obrázku nižšie, tvar oblúka je okolo rezných zubov. (Obr. B8).

SK

7. Použite imbusový kľúč na zaistenie krytu na jeho miesto.
8. Počas prevádzky odstráňte puzdro čepele.

OBSLUHA

VAROVANIE: Nedovoľte, aby znalosť tohto výrobku spôsobila vašu neopatrnosť. Pamätajte na to, že aj chvíľková neopatrnosť stačí na to, aby spôsobila vážny úraz.

VAROVANIE: Vždy používajte ochranu zraku spolu s chráničmi sluchu. Ak tak neurobíte, môže dôjsť k vymršteniu predmetov do očí a k ďalším možným vážnym zraneniam.

VAROVANIE: Nepoužívajte žiadne doplnky alebo príslušenstvo, ak ho neodporúča výrobca uvedeného výrobku. Používanie nástavcov alebo príslušenstva, ktoré nie je odporúčané, môže viesť k vážnemu zraneniu osôb.

VAROVANIE: Aby nedošlo k vážnemu zraneniu, tak pred vykonávaním údržby, čistením, výmenou príslušenstva alebo odstraňovaním materiálu z prístroja odpojte akumulátor z náradia.

SK

Tento výrobok môžete použiť na tieto uvedené účely:

Kosenie: slúži sa na kosenie trávy okolo stĺpov alebo ochranného zábradlia, okrajov sien, cestných obrubníkov, zábran pri cestách alebo na orezávanie vegetácie na parkoviskách.

POZNÁMKA: Pri používaní ROTAČNEJ REZAČKY zabezpečte, aby nedochádzalo k vymršťovaniu akýchkoľvek predmetov, nakoľko to predstavuje veľké riziko: rozbité okná, poškodenie karosérií automobilov, roztrhnutie plotov, poškodenie kôry stromov alebo zranenie osôb.

PRIPOJENIE/ODPOJENIE AKUMULÁTORA (obr. C)

Pred prvým použitím úplne nabite.

Zarovnajte ▲ zástrčky s ▲ stroja. Zasuňte zástrčku do nástroja, kým zelené tesnenie celkom nezmižne do zásuvky. Ak chcete akumulátor odpojiť, jednoducho ho odpojte tak, že ho podržíte a potiahnete dozadu.

SPUSTENIE/ZASTAVENIE NÁSTROJA (PRE STX3800 a BCX3800)

Pozrite si časť „SPUSTENIE/ZASTAVENIE STRUNOVEJ KOSAČKY/KROVINOREZU“ v návode na obsluhu STX3800/BCX3800.

POUŽÍVANIE NÁSTROJA

VAROVANIE: Aby nedošlo k vážnemu zraneniu, noste okuliare alebo ochranné okuliare po celú dobu používania prístroja. V prašnom prostredí používajte masku alebo masku proti prachu.

Pred každým použitím vyčistite oblasť, ktorá má byť kosená. Odstráňte všetky predmety, ako sú kamene, rozbité sklo, klince, drôty alebo šnúry, ktoré môžu byť vymrštené alebo môžu uviaznuť v stroji. Zabráňte prístupu deťom, prítomným osobám a domácim zvieratám. Všetky deti, prízerajúce sa osoby a zvieratá sa musia zdržiavať vo vzdialenosti najmenej 15 metrov; stále ešte môže existovať riziko vymrštenia predmetov na prízerajúce sa osoby. Okoloostojace osoby by mali mať ochranu očí. Ak sa približujú, okamžite zastavte motor a reznú príslušenstvo.

Pred každým použitím skontrolujte, či nie sú poškodené/opotrebované diely

Skontrolujte hlavicu ROTAČNEJ REZAČKY, chránič a rukoväť a vymeňte diely, ktoré sú prasknuté, zdeformované, ohnuté alebo inak poškodené.

VAROVANIE: Pri montáži chrániča alebo pri opravě čepele vždy používajte rukavice. Dajte si pozor na čepeľ a chráňte si ruky pred porezaním.

Po každom použití vyčistite nástroj.

UPOZORNENIE: Prekážky vo vetracích otvoroch bránia prívodu vzduchu do krytu motora, čoho následkom je prehriatie alebo poškodenie motora.

- Používajte iba mydlový roztok a vlhkú handričku na čistenie náradia. Zabráňte preniknutiu akejkoľvek kvapaliny do vnútorných častí náradia. Nikdy neponárajte žiadnu časť náradia do kvapaliny.
- Vždy udržiavajte vetracie otvory v kryte motora bez nečistôt.

ÚDRŽBA

VAROVANIE: Pri servise používajte iba identické náhradné diely. Pravidelne kontrolujte a udržiavajte nástroj. Pre zaistenie bezpečnosti a spoľahlivosti je nevyhnutné, aby všetky opravy vykonával len kvalifikovaný servisný technik.

VAROVANIE: Nástroje na batérie nemusia byť zapojené do elektrickej zásuvky; preto sú vždy v prevádzkovom stave. Aby nedošlo k vážnemu zraneniu, prijmite osobitné opatrenia a pozornosť pri vykonávaní údržby, opravy alebo výmene rezacieho alebo iného príslušenstva.

VAROVANIE: Aby nedošlo k vážnemu zraneniu, tak pred vykonávaním údržby, čistením, výmenou príslušenstva alebo odstraňovaním materiálu z prístroja vyberte akumulátor z náradia.

VÝMENA ČEPELE ROTAČNEJ REZAČKY

VAROVANIE: Ak sa čepele po upevnení na svoje miesto uvoľnia alebo sú veľmi opotrebované, okamžite ich vymeňte. Nikdy nepoužívajte nástroj s voľným alebo neúčinným rezacím príslušenstvom.

Zoznámete sa s hlavivicou ROTAČNEJ REZAČKY podľa zobrazenia na obr. D1.

D-1	Manžeta hriadeľa	D-5	Podložka
D-2	Vrchná čepeľ	D-6	Klzná miska
D-3	Spodná čepeľ	D-7	Matica
D-4	Podporná manžeta		

1. Položte prevodovú skriňu hlavice ROTAČNEJ REZAČKY na pevnú podložku pre podporu. Upnite vrchné a spodné čepele pomocou klieští alebo zveráka a potom pomocou kľúča uvoľnite maticu (obr. D2).
2. Maticu, klznú misku, podložku, podpornú manžetu, spodnú čepeľ, vrchnú čepeľ a manžetu hriadeľa odoberte postupne, ako je to znázornené na obr. D1.
3. Pred inštaláciou nových čepelí položte manžetu hriadeľa na hriadeľ (obr. D3). Nasadte vrchnú čepeľ s veľkým šesťhranným otvorom na hriadeľ s vytlačeným logom „EGO“ otočeným smerom k prevodovej skriní (obr. D4), potom nasadte spodnú čepeľ s malým šesťhranným otvorom na hriadeľ s vytlačeným logom „EGO“ smerujúcim k obsluhu (obr. D5).

POZNÁMKA: Uistite sa, či šesťhranné otvory na čepeliach dosadajú na osadenie šesťhranného hriadeľa. V opačnom prípade, keď sú čepele namontované opačne, ROTAČNÁ REZAČKA nemôže správne fungovať a poškodí ich.

4. Postupujte podľa postupu znázorneného na obr. D1 a znovu ich zložte.

MAZANIE PREVODOVEJ SKRINE

Pre najlepšiu prevádzku a dlhšiu životnosť mažte prevodovú skriňu špeciálnym mazivom (zakaždým približne 4-5 g) po každých 50 hodinách prevádzky.

Špeciálne mazivo musí spĺňať nasledujúce požiadavky.

1. Patrí do DIN51818: Stupeň kužeľovej penetrácie NLGI-1.
2. Esterové základné mazivo.
3. Vynikajúce spúšťanie pri nízkych teplotách, EP, mechanický strih, odolnosť proti oderu a vlastnosti

oxidatívnej stability.

4. Prevádzková teplota musí byť od -40 ° C do 180 ° C. Odstráňte tesniacu skrutku. Naplňte mazivo do prevodovej skrine cez otvor na olej.

VAROVANIE: Mazanie nevykonávajte, keď je nástroj stále pripojený na akumulátor alebo je v prevádzke.

ČISTENIE PRÍSTROJA

- Prístroj čistite vlhkou handrou a jemným saponátom.
- Nepoužívajte žiadne silné čistiace prostriedky na plastovom kryte alebo rukoväti. Môžu byť poškodené určitými aromatickými olejmi, ako je borovica a citrón, a rozpúšťadlami, ako je petrolej. Vlhkosť môže tiež spôsobiť nebezpečenstvo úrazu elektrickým prúdom. Akúkoľvek vlhkosť poutierajte mäkkou a suchou handrou.

USKLADNENIE PRÍSTROJA

- Keď prístroj nepoužívate, vyberte z neho akumulátor.
- Pred uložením prístroj dôkladne vyčistite.
- Prístroj skladujte na suchom a dobre vetranom uzamknutom alebo vyvýšenom mieste mimo dosahu detí. Prístroj neskladujte v blízkosti hnojív, benzínu alebo iných chemikálií.
- Počas prepravy a skladovania používajte prepravný kryt na kovové čepele.

Ochrana životného prostredia



WEEE (Odpad z elektrických a elektronických zariadení)

Nevyhadzujte elektrické zariadenia, nabijačku batérií a použité batérie/akumulátory do domového odpadu! Tento výrobok odneste na autorizované recyklačné miesta a dajte ho k dispozícii na separovaný zber. Elektrické náradie sa musí vrátiť do recyklačného zariadenia, ktoré je zlučiteľné so životným prostredím.

SK

ODSTRAŇOVANIE PORÚCH

PROBLÉM	PRÍČINA	RIEŠENIE
ROTAČNÁ REZAČKA sa nespustí.	<ul style="list-style-type: none">■ Akumulátor nie je správne pripojený na pohonnú hlavu.■ Akumulátor je vybitý.■ Poistná páčka a spínač nie sú súčasne stlačené.	<ul style="list-style-type: none">■ Pripojte akumulátor na pohonnú hlavu.■ Nabite akumulátor pomocou nabíjačiek EGO, ktoré sú uvedené v tomto návode na obsluhu.■ Zatlačte poistnú páčku a podržte ju, potom stlačte spínač pre zapnutie nástroja.
ROTAČNÁ REZAČKA sa zastaví pri rezaní.	<ul style="list-style-type: none">■ Motor je preťažený.■ Akumulátor je príliš horúci.■ Akumulátor je odpojený od nástroja.	<ul style="list-style-type: none">■ Motor sa zotaví po odstránení záťaže. Pre nepretržitú prácu znížte zaťaženie ROTAČNEJ REZAČKY a vyhýbajte sa hlbokému orezávaniu. Miesto toho robte postupné orezávanie.■ Nechajte akumulátor prirodzene vychladnúť, alebo zrýchlite chladenie prúdiacim vzduchom.■ Znovu pripojte akumulátor.

ZÁRUKA**SK****ZÁRUČNÁ POLITIKA EGO**Navštívte webové stránky egopowerplus.com pre úplné podmienky záručnej politiky spoločnosti EGO.

OLVASSA EL AZ ÖSSZES UTASÍTÁST!



OLVASSA EL A HASZNÁLATI ÚTMUTATÓT

⚠ Fenmaradó kockázat! Az elektronikus készülékekkel, például pacemakerrel élő emberek a termék használata előtt kérjék ki az orvos véleményét. Az elektromos felszerelésnek a pacemakerhez közel való működtetése interferenciát vagy meghibásodást okozhat a pacemakerben.

⚠ FIGYELMEZTETES: A biztonságosság és megbízhatóság biztosítása érdekében minden javítást és cserét szakképzett szerviztechnikus hajtson végre.

BIZTONSÁGI SZIMBÓLUM

A biztonsági szimbólumok célja, hogy felhívják a figyelmet az esetleges veszélyekre. Nagyon figyeljen a biztonsági szimbólumokra és magyarázatokra, ill. ezek megértésére. A szimbólumok figyelmeztetési önmagukban nem hártják el a veszélyeket. Az utasítások és figyelmeztetések nem helyettesítik a megfelelő balesetmegelőző intézkedéseket.

⚠ FIGYELMEZTETES: A szerszám használata előtt feltétlenül olvassa el a jelen használati útmutató minden biztonsági utasítását, a „VESZÉLY”, „FIGYELMEZTETÉS” és „FIGYELEM” biztonsági szimbólumokat is. Az alább felsorolt utasítások be nem tartása áramütést, tűzveszélyt és/vagy súlyos személyi sérülést idézhet elő.

SZIMBÓLUM JELENTÉSE

⚠ BIZTONSÁGI SZIMBÓLUM: A következőket jelöli: **VESZÉLY, FIGYELMEZTETÉS VAGY FIGYELEM**, és más szimbólumokkal vagy rajzokkal együtt használható.





⚠ FIGYELMEZTETES: Bármely elektromos kéziszerszám működtetése azzal járhat, hogy idegen tárgyak szembe kerülnek, ami súlyos szemsérüléseket okozhat. Az elektromos kéziszerszám működtetése előtt mindig vegyen fel oldalsó védőlemezrel ellátott védőszemüveget és a teljes védőárlapot, ha szükséges. Javasoljuk, hogy viseljen Wide Vision Safety Mask-ot (védőárlap) a védőszemüveg fölött vagy standard védőszemüveget oldalsó védőlemezrel.

BIZTONSÁGI ELŐÍRÁSOK

Ezen az oldalon olyan biztonsági szimbólumok láthatók és olvashatók, amelyek megjelenhetnek a terméken. Az összeszerelés vagy működtetés előtt olvassa el, értse meg és tartsa be a gép minden utasítását.

	Biztonsági figyelmeztetés	Az Ön biztonságát érintő óvintézkedések.
	Olvassa el a használati útmutatót	A sérülések kockázatának csökkentése érdekében a használatnak a termék használata előtt el kell olvasnia és meg kell értenie a használati útmutatót.
	Viseljen szemvédőt	Mindig viseljen védőszemüveget vagy oldalsó védőlemezrel ellátott védőszemüveget és teljes védőárlapot a termék működtetése közben.
	Viseljen fülvédőt	Mindig viseljen hallásvédőt a termék működtetése közben.
	Viseljen fejvédőt	Viseljen hivatalos biztonsági kemény sisakot a feje védelme érdekében.
	Viseljen védőkesztyűt	Védje a kezét kesztyűvel, amikor a pengét vagy a pengevédőt kezeli.
	Viseljen védő lábbelit.	Viseljen csúszásgátló cipőt, amikor a készüléket használja.
	Ügyeljen a penge lököerejére	Figyelmeztesse a kezelőt a penge lököerejére.
	Visszapattanás és a nézelődők távol tartása	A visszapattanó tárgyak súlyos személyi sérülést vagy anyagi kárt okozhatnak. Ügyeljen arra, hogy más személyek és a háziállatok távol legyenek a fűkasza használata közben.
	Tartsa távol a nézelődőket	Ügyeljen arra, hogy más személyek és a háziállatok legalább 15 m távolságban legyenek a fűkasza használata közben.
	Nem kerek penge	Ne szereljen fel kerek vágópengét.

HU

	WEEE	Az elhasznált elektromos termékek nem helyezhetők a háztartási hulladék közé. Vigye hivatalos újrahasznosító telephelyre.
	Zaj	Garantált hangteljesítményszint. Környezetre ható zajkibocsátás a Európai Közösség irányelve szerint.
	CE	A termék megfelel az érvényes EK irányelveknek.
V	Volt	Feszültség
n_0	Üresjárat fordulatszám	Forgási sebesség üresjáraton
min ⁻¹	Percenként	Fordulat percenként
	Egyenáram	Áram típusa vagy jellemzői
kg	Kilogramm	Súly

HU

FONTOS BIZTONSÁGI UTASÍTÁSOK

▲ FIGYELMEZTETES: Olvassa el az elektromos kéziszerszámmal mellékelt összes biztonsági figyelmeztetést, utasítást, ábrát és specifikációt. Az alább felsorolt utasítások be nem tartása áramütést, tűzveszélyt és/vagy súlyos sérülést idézhet elő.

Őrizzen meg minden figyelmeztetést és utasítást, hogy később is elő tudja majd venni.

- Kerülje a veszélyes környezetet – ne használja a berendezéseket nedves vagy vizes lejtőn.
- Tartsa a helyén és működőképesen a védőburkolatot.
- A kezét és lábát tartsa távol a vágási területtől.
- A sérülések kockázatának csökkentése érdekében soha ne dolgozzon létrán vagy más nem biztonságos támasztékon. Soha ne tartsa a vágóegységet derékmagasságon felül.
- Működés közben ellenőrizze a vágóegységet rendszeresen, rövid időközönként, vagy azonnal, ha látható a vágás láthatóan megváltozik.
- A legjobb eredmény elérése érdekében az akkumulátort olyan helyiségben töltsse, ahol a hőmérséklet 5 °C-nál magasabb és 40 °C-nál alacsonyabb. Ne tárolja kültéren, vagy járművekben.

- Amikor Ön felé közeledik valaki, állítsa le a motort és a vágóegységet.
- Figyelmeztesse a kezelőt a penge lököerejére.
- A penge akkor kaphat lökést, ha olyan tárgyba ütközik, amelyet nem tud azonnal elvágni.
- A penge lökése révén az egység és/vagy a kezelő bármely irányba elfordulhat, és egyensúlyát veszítheti.
- A penge előzetes jel nélkül is lököerőt fejt ki, ha a penge elakad, leáll vagy megakad.
- A penge nagyobb valószínűséggel fejt ki lököerőt, olyan területeken, ahol nehezen látható a vágandó anyag.
- Ne csatlakoztasson pengét az egységre, amíg minden szükséges alkatrész megfelelően fel nincs szerelve. Amennyiben nem megfelelő alkatrészeket használ, akkor a penge lerepülhet, és súlyos sérüléseket okozhat a kezelőnek és/vagy nézelődőknek. A behajlott, repedt, törött vagy sérült pengét ártalmatlanítsa. Használjon éles pengét. A tompa penge nagyobb valószínűséggel beakadhat, és lököerőt fejt ki.
- A leálló penge/damill sérülést okozhat, miközben még forog, miután a motor leállt, vagy megnyomta a kioldót. Tartsa meg az irányítást, amíg a penge/damill teljesen abba nem hagyja a forgást.
- Az akkumulátorral működő szerszámokat nem kell hálózati aljzathoz csatlakoztatni; ezért mindig működőképes állapotban vannak. Ügyeljen a lehetséges veszélyekre, akkor is, ha a szerszám nem működik. Legyen óvatos karbantartás és szervizelés közben.
- Ne mossa tömlővel; ne kerüljön víz a motorba és az elektromos csatlakozásokba.
- Amennyiben olyan helyzet adódik, amely nem szerepel a jelen használati útmutatóban, akkor óvatosan és kellő mérlegeléssel cselekedjen. Forduljon az EGO ügyfélszolgálathoz segítségért.

ŐRIZZE MEG EZEKET AZ UTASÍTÁSOKAT!

JELLEMZŐK

Üresjárat fordulatszám	Max. 450 fordulat/perc
Vágópenge	ABR2300
Javasolt működési hőmérséklet	0°C - 40°C
Javasolt tárolási hőmérséklet	-20°C - 70°C

Optimális töltési hőmérséklet	5°C - 40°C		
Súly	1,9 kg		
Mért hangteljesítményszint L_{WA}	96,1 dB(A) K = 3,8 dB (A)		
Hangnyomásszint a kezelő fülénél L_{PA}	83,2 dB(A) K = 2,5 dB(A)		
Garantált hangteljesítményszint L_{WA} (a 2000/14/EK szerint mérve)	100 dB(A)		
Vibráció értéke a_n :	Gép	STX3800-zal	BCX3800-zal
	Bal oldali fogantyú	0,7 m/s ²	0,6 m/s ²
	Jobb oldali fogantyú	K = 1,5 m/s ²	K = 1,5 m/s ²

- A névleges rezgési összérték mérése standard bevizsgálási módszerrel történik, és használatával a szerszámok egymással összehasonlíthatók.
- A névleges rezgési érték a kockázat előzetes felméréséhez is felhasználható.

MEGJEGYZÉS: A rezgés kibocsátás az elektromos szerszám aktuális használata közben eltérhet attól a névleges értéktől, amellyel a szerszámot használják: a kezelő védelme érdekében a használatonak kesztyűt és hallásvédőt kell használnia működtetés közben.

LEÍRÁS

ISMERJE MEG A ROTOCUT-OT (A ábra)

1. Rögzítőcsavar
2. Szerelvényburkolat
3. Penge
4. Penge tok
5. Védőburkolat egység
6. Csavarkulcs
7. Imbuszkulcs
8. Persely (25 mm átmérőjű csővel való használatra)

CSOMAGOLÁSI LISTA

ALKATRÉSZ NEVE	MENNYISÉG
ROTOCUT	1
Védőburkolat egység	1

Csavarkulcs	1
Imbuszkulcs	1
Persely	1
Használati útmutató	1

ÖSSZESZERELÉS

⚠ FIGYELMEZTETES: Ha bármely alkatrész sérült vagy hiányzik, akkor ne működtesse a terméket, amíg az alkatrészeket ki nem cserélik. Sérült vagy hiányzó alkatrészekkel való használat súlyos személyes sérülést okozhat.

⚠ FIGYELMEZTETES: Ne próbálja megváltoztatni a terméket, és ne készítsen hozzá tartozékokat, amelyek nem javasoltak ehhez a géphez. Bármilyen módosítás vagy változtatás helytelen használatnak minősül, és veszélyes feltételeket teremthet, amely súlyos személyi sérüléssel végződhet.

⚠ FIGYELMEZTETES: A véletlenszerű indítás elkerülése érdekében, amely súlyos személyi sérülést okozhat, mindig húzza ki az akkumulátoregység csatlakozóját az aljzatból, amikor összeszereli az alkatrészeket.

HU

A FÜKASZA FEJ ROTOCUT FEJRE VALÓ CSERÉJE

1. Fogja meg a fűkaszát/fűkaszat, és az imbuszkulcs segítségével vegye le a fűkasza védőburkolatát és fejét, valamint a szerelvényburkolatot a hajtótengelyről (B1-B3 ábra). A hajtótengelyt később a ROTOCUT összeszereléséhez kell használni.
2. Vegye ki a ROTOCUT-ot a csomagolásból, lazítsa meg a két 1-es csavart, és tartsa őket a a rögzítőlemezen, lazítsa meg és vegye le a 2-es csavart a rögzítőlemezzel. (B4 ábra)

B-1	1. csavar	B-3	A rögzítőlemez
B-2	2. csavar		

3. Majd helyezze a ROTOCUT fejet az 1. lépésben eltávolított hajtótengelyre, ügyeljen arra, hogy a B-2 csavarlyuk megegyezzen a hajtótengelyen lévő lyukkal (B5 ábra).
4. Először helyezze be a B-2 csavart, húzza meg, majd húzza meg a B-1 két csavarját (B6 ábra).

5. Vegy ki a ROTOCUT védőburkolatot a csomagolásból, és lazítsa meg a védőburkolat két csavarját. Távolítsa el a két csavart és rugós alátétet a védőburkolatból, és tegye félre (B7 ábra).
6. Emelje fel a ROTOCUT fejet, és fordítsa lefelé; illeszse a védőburkolat két rögzítőfuratát a ROTOCUT rögzítőlemez szerelési lyukaihoz. Ellenőrizze, hogy a védőburkolat iránya a lenti ábra szerint van-e, az iv forma a vágófogak körül. (B8 ábra)
7. Az imbuszkulcs segítségével rögzítse a védőburkolatot a helyére.
8. Működés közben távolítsa el a penge tokot a pengéről.

MŰKÖDTETÉS

▲ FIGYELMEZTETES: Ne hagyja, hogy a termékkel szerzett jártassága miatt óvatlanná váljon. Emlékezzen arra, hogy a másodperc töredéke alatt történő óvatlanság súlyos sérülést okozhat.

▲ FIGYELMEZTETES: Mindig viseljen védőszemüveget és hallásvédőt. Amennyiben nem ezt teszi, tárgyak repülhetnek a szemébe, és más komoly sérülések keletkezhetnek.

▲ FIGYELMEZTETES: Ne használjon a termék gyártója által nem javasolt tartozékokat. A nem javasolt tartozékok használata súlyos személyi sérülést okozhat.

▲ FIGYELMEZTETES: A súlyos személyi sérülések elkerülése érdekében vegye ki az akkumulátoregységet a szerszámból szervizelés, tisztítás, tartozékok cseréje vagy anyagok szerszámból való eltávolítása közben.

A terméket az alábbi célokra használhatja:

Vágás: arra használják, hogy rudak vagy védőkorlátok, falszélek, közötti járdaszegélyek, forgalom mentén lévő kerítések körül lenyírják a fűvet, vagy parkolóhelyeken levágják a növényeket.

MEGJEGYZÉS: A ROTOCUT használatokor ügyeljen arra, hogy ne repüljenek szét idegen tárgyak, amelyek komoly kockázatot jelentenek: törött ablakok, befeckszendezt autótetek, repedt kerítések, szakadt fa kéreg vagy személyi sérülések.

AZ AKKUMULÁTOREGYSÉG CSATLAKOZTATÁSA/ LEVÁLASZTÁSA (C ábra)

Az első használat előtt teljesen töltse fel.

Illeszse a csatlakozódugó ▲ -at a a gép ▲ -hoz. Helyezze a csatlakozódugót a szerszámba, amíg a zöld tömitőgyűrű teljesen el nem tűnik az aljzatban.

Az akkumulátor leválasztásához csak húzza ki, miután megfogta, és húzza hátra.

A SZERSZÁM INDÍTÁSA/LEÁLLÍTÁSA (STX3800-hoz és BCX3800-hoz)

Lásd: az STX3800/BCX3800 használati útmutatóban lévő „A FŰKASZA INDÍTÁSA/LEÁLLÍTÁSA” fejezetet.

A SZERSZÁM HASZNÁLATA

▲ FIGYELMEZTETES: A súlyos személyi sérülések elkerülése érdekében mindig viseljen védőszemüveget az egység működtetésekor. Viseljen arc- vagy porvédő maszkot poros körülmények között.

Minden használat előtt tisztítsa meg a nyírándó területet. Távolítsa el minden tárgyat, pl. követ, törött üveget, tűt, vezetékét vagy zsinórt, amely beakadhat a vágóegységbe. A területen ne legyenek gyermekek, nézelődők vagy állatok. Minden nézelődő, gyermek és állat legalább 15 m távolságban legyen; még így fennáll a veszélye, hogy tárgyak repülnek a nézelődők felé. A nézelődők is viseljenek védőszemüveget. Amikor Ön felé közeledik valaki, azonnal állítsa le a motort és a vágóegységet.

Minden használat előtt ellenőrizze a sérült/kopott alkatrészeket

Ellenőrizze a ROTOCUT fejet, védőburkolatot és kétkezes fogantyút, és cserélje ki a repedt, behajolt vagy sérült alkatrészeket.

▲ FIGYELMEZTETES: Mindig viseljen kesztyűt, amikor felszereli a védőburkolatot, vagy szervizeli a pengét. Legyen óvatos a pengével, és óvja a kezét vágástól.

Minden használat után tisztítsa meg a szerszámot.

▲ FIGYELEM: A szellőzőnyílásokban lévő akadályok megakadályozzák, hogy levegő áramoljon a motorházba, így a motor megsérülhet vagy túlmelegedhet.

- A szerszám tisztítását csak kímélő szappannal és nedves ruhával végezze. Soha ne hagyja, hogy bármilyen folyadék a szerszámba kerüljön, soha ne merítse vízbe a szerszám egyetlen alkatrészét sem.
- A motorházon lévő szellőzőnyílásokat mindig tartsa szennyeződésektől mentesen.

KARBANTARTÁS

▲ FIGYELMEZTETES: Javításkor használjon azonos pótalkatrészeket. Rendszeresen ellenőrizze a szerszámot, és végezzen karbantartást. A biztonságosság és megbízhatóság biztosítása érdekében minden javítást szakképzett szerviztechnikus hajtson végre.

⚠ FIGYELMEZTETES: Az akkumulátorral működő szerszámokat nem kell hálózati aljzathoz csatlakoztatni; ezért mindig működőképes állapotban vannak. A súlyos személyi sérülések elkerülése érdekében legyen rendkívül óvatos, amikor karbantartást, szervizelést végez, vagy kicseréli a vágóegységet vagy más alkatrészeket.

⚠ FIGYELMEZTETES: A súlyos személyi sérülések elkerülése érdekében vegye ki az akkumulátoregységet a szerszámból szervizelés, tisztítás, tartozékok cseréje vagy anyagok szerszámból való eltávolítása közben.

ROTOCUT PENGE CSERÉJE

⚠ FIGYELMEZTETES: Ha a pengék meglazulnak, miután a helyükre rögzítették őket, vagy a pengék rosszul koptak, azonnal cserélje ki a pengéket. Soha ne használja a szerszámot laza vagy hatástalan vágóegységgel.

Ismerje meg a ROTO CUT fejet a D1 ábrán látható módon.

D-1	Tengely tölcscsér	D-5	Alátét
D-2	Felső penge	D-6	Csúszóedény
D-3	Alsó penge	D-7	Anyá
D-4	Támasztófedél		

- Helyezze a ROTO CUT szerelvényburkolatát erős felületre. Rögzítse a felső és alsó pengéket fogóval vagy egy befogóba, majd a csavarkulccsal oldja meg az anyát (D2 ábra).
- Távolítsa el az anyát, a csúszóedényt, az alátétet, a támasztófedelelet, az alsó pengét, a felső pengét és a tengely tölcscsért a D1 ábra szerint.
- Az új pengék felszerelése előtt helyezze a tengely tölcscsért a tengelyre (D3 ábra). Helyezze a nagy hatszögletű furattal ellátott felső pengét a tengelyre úgy, hogy a felületre nyomtatott „EGO” logó a fogaskerék felé nézzen (D4 ábra), majd helyezze a kis hatszögletű furattal ellátott alsó pengét a tengelyre, a felületre nyomtatott „EGO” logó a kezelő felé nézzen (D5 ábra).

MEGJEGYZÉS: Győződjön meg arról, hogy a pengék hatszögletű furatai és a hatszögű tengelyváll a helyén van-e. Ellenkező esetben, ha a pengék fordítva vannak felszerelve, a ROTO CUT nem működik megfelelően, és megrongálja a pengéket.

- Az összeszereléshez a D1. ábrán látható sorrendet kövesse.

A SZERELVÉNYBURKOLAT KENÉSE

A legjobb működés és a hosszabb élettartam érdekében a

szerelvényburkolatot speciális zsírral kell bekenni (minden alkalommal körülbelül 4-5 g) minden 50 óra működés után.

A speciális kenőanyagnak meg kell felelnie a következő követelményeknek.

- A DIN51818: NLGI-1 kúpbehatolási fokba tartozik.
- Észter alapú zsír
- Kiváló alacsony-hőmérsékletű indítás, EP, mechanikus nyírás, kopásálló és oxidációs stabilitás tulajdonságok.
- A működtetési hőmérsékletnek -40°C – 180°C között kell lennie. Vegye le a rögzítőcsavart. Töltsön kenőanyagot a szerelvényburkolatba az olajnyíláson keresztül.

⚠ FIGYELMEZTETES: Ne kenje be, amíg a szerszám még az akkumulátorhoz van csatlakoztatva, vagy működésben van.

AZ EGYSÉG TISZTÍTÁSA

- Nedves törlőruhával és enyhe tisztítószerezettel tisztítsa meg az egységet.
- Ne használjon erős tisztítószereket a műanyag burkolaton vagy a fogantyún. Ezek megsérülhetnek a különböző aromaolajaktól, pl. fenyő vagy citrom, és az olyan oldószerektől, mint a kerozin. A nedvesség szintén áramütés veszélyét okozhatja. A nedvességet egy puha, száraz törlővel törölje le.

AZ EGYSÉG TÁROLÁSA

- Vegye ki az akkumulátoregységet a szerszámból, amikor nem használja.
- Tárolás előtt alaposan tisztítsa meg a szerszámot.
- Az egységet száraz, jól szellőző, elzárt vagy magas helyen tárolja, ahol gyermekek nem érik el. Ne tárolja az egységet benzinnel vagy más vegyszerekkel.
- Szállítás és tárolás közben használja a szállítási burkolatot a fémpengékhez.

Környezetvédelem



WEEE (az elektromos és elektronikus berendezések hulladékairól szóló irányelv)
Ne dobja az elektromos felszerelést, az elhasznált akkumulátort és a töltőt a háztartási hulladékok közé! Vigye hivatalos újrahasznosító telephelyre, és tegye hozzáférhetővé a szelektív gyűjtéshez. Az elektromos szerszámokat környezetbarát újrahasznosító üzembe kell vinni.

HIBAELHÁRÍTÁS

PROBLÉMA	OK	MEGOLDÁS
A ROTOCUT nem indul.	<ul style="list-style-type: none">■ Az akkumulátoregység nincs megfelelően csatlakoztatva a meghajtófejhez.■ Az akkumulátoregység lemerült.■ A kapcsoló gomb és a trigger nem egyidejűleg van megnyomva.	<ul style="list-style-type: none">■ Csatlakoztassa az akkumulátoregységet a meghajtófejhez.■ Töltse fel az akkumulátoregységet EGO a jelen útmutatóban megadott töltővel.■ Nyomja meg és tartsa lenyomva a kapcsoló gombot, majd oldja ki a trigger az egység bekapcsolásához.
A ROTOCUT leáll vágás közben.	<ul style="list-style-type: none">■ A motor túlterhelt■ Az akkumulátoregység túl forró.■ Az akkumulátoregység ki van véve a szerszámból.	<ul style="list-style-type: none">■ A motor újra működőképes, ha a terhet eltávolítja. A folyamatos munkavégzéshez csökkentse a ROTOCUT terhelését, és kerülje a mély vágást; inkább fokozatosan mélyítse a vágásokat.■ Hagyja az akkumulátoregységet természetesen lehűlni, vagy fújja levegővel a hűlés felgyorsításához.■ Csatlakoztassa újból az akkumulátoregységet.

HU GARANCIA**EGO GARANCIÁLIS FELTÉTELEK**

Kérjük, látogasson el az egopowerplus.com oldalra, ahol megtalálja a részletes EGO garanciális feltételeket.

CITIȚI TOATE INSTRUCȚIUNILE!



CITIȚI MANUALUL DE INSTRUCȚIUNI

⚠ Riscuri reziduale! Persoanele cu dispozitive electrice precum stimulatoare cardiace ar trebui să se consulte cu medicul (medicii) înainte de a utiliza acest produs. Funcționarea echipamentelor electrice în imediata apropiere a unui stimulator cardiac ar putea provoca interferențe sau defecțiuni ale stimulatorului cardiac.

⚠ AVERTISMENT: Pentru siguranța și fiabilitatea produsului, toate reparațiile și înlocuirile de piese ar trebui efectuate de către un tehnician de service autorizat.

SIMBOL DEEE

Scopul simbolurilor privind siguranța este să vă atragă atenția asupra pericolelor posibile. Simbolurile privind siguranța și explicațiile furnizate cu acestea merită atenția și înțelegerea dumneavoastră. Avertizările simbolurilor nu elimină, prin ele însele, niciun pericol. Instrucțiunile și avertizările pe care le oferă acestea nu pot înlocui măsurile adecvate de prevenire a accidentelor.

⚠ AVERTISMENT: Asigurați-vă că ați citit și înțelegți toate instrucțiunile privind siguranța din acest Manual de utilizare, inclusiv toate simbolurile de alertă privind siguranța precum "PERICOL," "AVERTISMENT," și "ATENȚIE" înainte de a utiliza această sculă. Nerespectarea tuturor avertismentelor și instrucțiunilor poate duce la electrocutare, incendiu și/sau răniri grave.

SEMNIFICAȚIA SIMBOLURILOR

⚠ SIMBOL DE AVERTIZARE PRIVIND

SIGURANȚA: Indică PERICOL, AVERTISMENT, SAU ATENȚIE, poate fi utilizat împreună cu alte simboluri sau pictograme.






⚠ AVERTISMENT: Exploatarea oricăror scule electrice se poate solda cu ricoșarea de obiecte străine în ochii dumneavoastră, ceea ce se poate solda cu vătămarea gravă a ochilor. Înainte de a începe să utilizați scula electrică, echipați-vă întotdeauna cu ochelari de protecție sau ochelari de protecție cu apărători laterale și vizieră pentru față, atunci când este nevoie. Vă recomandăm să purtați o vizieră lată de protecție peste ochelarii de vedere sau ochelari de protecție standard cu apărători laterale.

INSTRUCȚIUNI PRIVIND SIGURANȚA

Această pagină descrie simbolurile de siguranță ce pot apărea pe acest produs. Citiți, înțelegeți și respectați toate instrucțiunile de pe mașină înainte de a o asambla și de a o utiliza.

	Alertă privind siguranța	Precauții care implică siguranța dumneavoastră.
	Citiți manualul de instrucțiuni	Pentru a reduce riscul de vătămare, utilizatorul trebuie să citească și să înțeleagă manualul de instrucțiuni înainte de a utiliza acest produs.
	Purtați echipament de protecție oculară	Purtați întotdeauna ochelari de protecție sau ochelari de protecție cu apărători laterale și o vizieră facială completă când utilizați acest produs.
	Purtați echipament de protecție auditivă	Purtați întotdeauna echipament de protecție auditivă când utilizați acest produs.
	Purtați echipament de protecție a capului	Purtați o cască de protecție aprobată pentru a vă proteja capul.
	Purtați mănuși de protecție	Protejați-vă mâinile cu mănuși când manevrați lama sau apărațoarea lamei.
	Purtați încălțăminte de protecție	Purtați încălțăminte antiderapantă când utilizați acest echipament.
	Feriți-vă de propulsarea lamei	Avertizați operatorul asupra pericolului propulsiei lamei.
	Ricoșeul și Menținerea trecătorilor la distanță	Obiectele aruncate pot ricoșa și cauza vătămări corporale și pagube. Asigurați-vă că terții și animalele de companie se află la distanță de trimmerul pentru tufșuri când acesta este în funcțiune.
	Țineți trecătorii la distanță	Asigurați-vă că alte persoane și animalele de companie se află o distanță de cel puțin 15 m de trimmerul cu fir când acesta este în funcțiune.

RO

	Fără lamă rotundă	Nu instalați lame de tăiere rotunde.
	DEEE	Deșeurile produselor electrice nu trebuie să fie eliminate împreună cu deșeurile menajere. Predați-le unui punct de reciclare autorizat.
	Zgomot	Nivelul puterii sunetului garantat. Emisii sonore în mediul înconjurător conform Directivei comunitare europene.
	CE	Acest produs este în conformitate cu directivele europene aplicabile.
V	Volt	Tensiune
n_0	Turație de mers în gol	Turație de mers în gol
min^{-1}	Pe minut	rotații pe minut
	Curent continuu	Tip sau o caracteristică de curent
kg	Kilogram	Greutate

- Verificați unitatea de tăiere la intervale scurte regulate în timpul utilizării, sau imediat dacă observați o modificare vizibilă a modului de tăiere.
- Pentru rezultate cât mai bune, acumulatorul dumneavoastră ar trebui încărcat în locații unde temperatura depășește 5°C și este sub 40°C. Nu depozitați acumulatorul în exterior sau în interiorul vehiculelor.
- Dacă cineva se apropie de dumneavoastră, opriți imediat motorul și unitatea de tăiere.
- Avertizați operatorul asupra pericolului propulsiei lamei.
- Propulsarea lamei poate avea loc când lama rotativă intră în contact cu un obiect care nu este tăiat imediat.
- Propulsarea lamei poate să fie suficient de violentă încât să cauzeze propulsarea sculei și/sau a operatorului în orice direcție, și eventual poate cauza pierderea controlului asupra unității.
- Propulsarea lamei poate avea loc fără avertisment dacă lama întâmpină dificultăți, se blochează sau este prinsă.
- Propulsarea are șanse mai mari să apară în zone unde materialul ce trebuie tăiat este greu de văzut.
- Nu instalați lama pe o unitate fără a instala corect toate piesele necesare. Neutilizarea componentelor adecvate poate cauza proiectarea lamei și rănirea grave a operatorului și/sau a trecătorilor. Eliminați lamele îndoite, exfoliate, crăpate, fisurate sau avariate în vreun fel. Utilizați o lamă ascuțită. O lamă tocită are șanse mai mari să provoace dificultăți și recul.
- O lamă/fir de debitare poate cauza răniri în cazul care continuă să se rotească după oprirea motorului sau eliberarea trăgaciului. Mențineți un control adecvat asupra unității până la oprirea completă a lamei/firului.
- Sculele electrice alimentate cu baterii nu trebuie să fie racordate la o priză electrică; de aceea, acestea sunt întotdeauna în stare de funcționare. Atenție la eventualele riscuri chiar și când scula nu este în funcțiune. Aveți grijă când efectuați operații de întreținere sau de service.
- Nu spălați trimmerul cu furtunul de grădină; evitați pătrunderea apei în motor și în conexiunile electrice.
- În cazul situațiilor care nu sunt adresate în acest manual, utilizați grijă și raționament. Contactați centrul de service pentru clienți EGO pentru asistență.

PĂSTRAȚI ACESTE INSTRUCȚIUNI!

RO

INSTRUCȚIUNI IMPORTANTE PRIVIND SIGURANȚA

⚠️ AVERTISMENT: Citiți toate instrucțiunile, avertizările de siguranță, ilustrațiile și specificațiile livrate împreună cu această sculă electrică.

Nerespectarea tuturor instrucțiunilor enumerate mai jos se poate solda cu șoc electric, incendiu și/sau vătămare corporală gravă.

Păstrați toate avertizările și instrucțiunile pentru consultare ulterioară.

- Evitați mediile periculoase - Nu utilizați aparate electrice pe pante ude sau cu umezeală.
- Păstrați apărătorile instalate și în stare de funcționare.
- Țineți mâinile și picioarele departe de zona de tundere.
- Pentru a reduce riscul de rănire, nu lucrați niciodată stând pe o scară sau pe orice alt suport nesigur. Nu țineți niciodată unitatea de tăiere la înălțime deasupra taliei.

SPECIFICAȚII

Turație de mers în gol	Până la 450/min		
Lamă de tăiere	ABR2300		
Temperatură de funcționare recomandată	0°C-40°C		
Temperatură de depozitare recomandată	-20°C-70°C		
Temperatură optimă de încărcare	5°C-40°C		
Greutate	1,9 kg		
Nivel de putere sonoră măsurată L_{WA}	96,1 dB(A) K = 3,8 dB (A)		
Nivel de presiune sonoră la urechea operatorului L_{PA}	83,2 dB(A) K = 2,5 dB(A)		
Nivel de putere acustică garantat L_{WA} : (măsurat în conformitate cu 2000/14/CE)	100 dB(A)		
Valoarea vibrațiilor a_{h_i} :	Mașină	Cu STX3800	Cu BCX3800
	Mâner stânga	0,7 m/s ² K = 1,5 m/s ²	0,6 m/s ² K = 1,5 m/s ²
	Mâner dreapta		

- Valoarea totală declarată a vibrațiilor a fost măsurată în conformitate cu o metodă standard de testare și poate fi utilizată pentru compararea sculelor între ele;
- Valoarea totală declarată poate fi utilizată în evaluarea preliminară a expunerii.

OBSERVAȚIE: Vibrațiile emise în timpul utilizării efective a sculei electrice pot diferi față de valoarea celor declarate pentru scula utilizată; Pentru protejerea operatorului, utilizatorul trebuie să poarte mănuși și protecții auditive în timpul utilizării efective a produsului.

DESCRIEREA

DESCRIEREA ATAȘAMENTULUI ROTATIV DE

TĂIERE (Fig. A)

1. Șurub de etanșeizare
2. Carcasă angrenaj
3. Lamă
4. Apărătoare lamă
5. Ansamblu apărătoare
6. Cheie

7. Cheie hexagonală
8. Cuzinet (A se utiliza cu tubul de diametrul de 25mm)

LISTA COMPONENTELOR

DENUMIREA PIESELOR	CANTITATE
ROTATIV DE TĂIERE	1
Ansamblu apărătoare	1
Cheie	1
Cheie hexagonală	1
Cuzinet	1
Manual de utilizare	1

ASAMBLAREA

⚠️ AVERTISMENT: Dacă unele piese sunt deteriorate sau lipsesc, nu utilizați acest produs până la înlocuirea pieselor. Utilizarea acestui produs cu piese deteriorate sau lipsă s-ar putea solda cu vătămări grave.

⚠️ AVERTISMENT: Nu încercați să modificați acest produs sau să creați accesorii nerecomandate pentru a fi utilizate cu această mașină. Orice astfel de modificare sau schimbare reprezintă o utilizare necorespunzătoare și se poate solda cu condiții periculoase care pot conduce la posibile vătămări grave.

⚠️ AVERTISMENT: Pentru a preveni pornirea accidentală care ar putea provoca vătămări grave, scoateți întotdeauna conectorul acumulatorului din priză când asamblați componente.

ÎNLOCUIREA CAPULUI TRIMMERULUI CU CAPUL

ROTATIV DE TĂIERE

1. Țineți-vă trimmerul cu fir/trimmerul de tuns tufșuri și utilizați cheia hexagonală pentru a îndepărta apărătoarea trimmerului și carcasa angrenajului de pe axul de transmisie (Fig. B1-B3). Axul de transmisie va fi utilizat pentru asamblarea, mai târziu a accesoriului ROTATIV DE TĂIERE.
2. Scoateți accesoriul ROTATIV DE TĂIERE din ambalajul acestuia, slăbiți cele două Șuruburi 1# și țineți-le pe plăcuța de fixare, slăbiți și îndepărtați Șurubul 2# de pe plăcuța de fixare. (Fig. B4)

B-1	Șurub 1#	B-3	Plăcuță de fixare
B-2	Șurub 2#		

3. Apoi introduceți capul ROTATIV DE TĂIERE pe axul de transmisie îndepărtat în decursul pasului 1, asigurați-vă că orificiul șurubului B-2 este aliniat cu orificiul de pe axul de transmisie (Fig. B5).
4. Introduceți mai întâi șurubul B-2 și strângeți-l, după care strângeți cele două șuruburi B-1 (Fig. B6).
5. Scoateți atașamentul ROTATIV DE TĂIERE din ambalajul acestuia și slăbiți cele două bolțuri de pe apărătoare. Îndepărtați și puneți deoparte cele două bolțuri și șaibe elastice de pe apărătoare (Fig. B7).
6. Ridicați capul ROTATIV DE TĂIERE și amplasați-l cu fața în jos; aliniați cele două găuri de montare din apărătoare cu cele două orificii de asamblare de pe placa de prindere a accesoriului ROTATIV DE TĂIERE. Asigurați-vă că direcția apărătoarei este conform ilustrației de mai jos, forma de arc în jurul dintelui de tăiere. (Fig. B8).
7. Utilizați cheia hexagonală pentru a bloca apărătoarea în poziție.
8. Îndepărtați apărătoarea lamei de pe lamă în timpul funcționării.

FUNCȚIONAREA

⚠️ AVERTISMENT: Nu permiteți ca familiarizarea cu acest produs să vă determine să fiți neatent. Amintiți-vă că o fracțiune de secundă de neatenție este suficientă pentru a provoca vătămări grave.

⚠️ AVERTISMENT: Purtați întotdeauna echipament de protecție oculară împreună cu echipament de protecție auditivă. Nerespectarea acestei instrucțiuni ar putea avea ca rezultat proiectarea în ochi a obiectelor și alte posibile vătămări grave.

⚠️ AVERTISMENT: Nu utilizați nicio componentă sau accesoriu care nu a fost recomandat de producătorul acestui produs. Utilizarea de accesorii nerecomandate se poate solda cu vătămări grave.

⚠️ AVERTISMENT: Pentru prevenirea vătămarilor personale grave, scoateți acumulatorul din sculă înainte de a depana, curăța, înlocui accesorile sau de a îndepărta materialul din produs.

Puteți utiliza acest produs în scopurile menționate mai jos:

Tăiere: pentru tăierea ierbii din jurul stâlpilor sau a balustradelor, a zidurilor, trotuarelor, gardurilor de-a lungul străzilor, sau pentru toaletarea vegetației din parcuri.

OBSERVAȚIE: Când utilizați accesoriul ROTATIV DE TĂIERE, asigurați-vă că nu sunt proiectate obiecte străine care ar putea cauza riscuri grave: ferestre sparte, caroserii de mașină afectate, garduri despicate, trunchiuri de copaci rupte sau vătămări corporale.

CONECTAREA/DECONNECTAREA ACUMULATORULUI (Fig. C)

Încărcați acumulatorul complet înainte de prima utilizare.

Aliniați marcajul ▲ de pe ștecher cu marcajul ▲ de pe trimmer. Introduceți complet ștecherul în sculă până când garnitura verde dispare complet în priză.

Pentru a deconecta acumulatorul, pur și simplu decuplați-l apucând și trăgându-l înapoi.

PORNIREA/OPRIREA SCULEI (PENTRU STX3800 & BCX3800)

Consultați capitolul “PORNIREA/OPRIREA TRIMMERULUI CU FIR/TRIMMERULUI DE TUFIȘURI din manualul de instrucțiuni pentru STX3800/BCX3800.

UTILIZAREA SCULEI

⚠️ AVERTISMENT: Pentru evitarea vătămarilor corporale grave, purtați ochelari de protecție în permanență când utilizați acest produs. Purtați mască de protecție a feței sau mască de protecție la praf în locurile cu praf.

Curățați zona de tuns iarba înainte de fiecare utilizare. Îndepărtați toate obiectele, cum ar fi pietre, sticlă spartă, cuie, sârmă sau fire care pot fi aruncate sau se pot încurca în capul de tăiere. Îndepărtați din zonă copiii, trecătorii și animalele de companie. Țineți toți copiii, trecătorii și animalele la o distanță minimă de 15 m; poate exista totuși un risc pentru trecători datorită obiectelor ejectate. Trecătorii trebuie încurajați să poarte ochelari de protecție. Dacă cineva se apropie de dumneavoastră, opriți imediat motorul și capul de tăiere.

Înainte de fiecare utilizare, verificați scula pentru depistarea pieselor deteriorate/uzate.

Verificați capul ROTATIV DE TĂIERE, apărătoarea și mânerul de susținere și înlocuiți piesele care sunt fisurate, distorsionate, îndoite sau deteriorate în vreun fel.

⚠️ AVERTISMENT: Întotdeauna purtați mănuși când atașați apărătoarea sau când întrețineți lama. Aveți grijă la lama și protejați-vă mâna împotriva tăieturilor.

După fiecare utilizare, curățați scula.

ATENȚIE: Obturarea orificiilor de ventilație va împiedica pătrunderea aerului în carcasa motorului și va provoca supraîncălzirea sau deteriorarea motorului.

- Utilizați numai săpun cu acțiune moderată și o lavetă umedă pentru a curăța scula. Nu lăsați niciun lichid să pătrundă în interiorul sculei; nu scufundați niciodată vre-o parte a sculei în vreun lichid.
- Păstrați în permanență curate orificiile de ventilație din carcasa motorului.

ÎNȚREȚINEREA

⚠️ AVERTISMENT: La depanare, utilizați numai piese de schimb identice. Inspectați și efectuați întreținerea sculei cu regularitate. Pentru siguranța și fiabilitatea produsului, toate reparațiile trebuie efectuate de către un tehnician de service autorizat.

⚠️ AVERTISMENT: Sculele electrice alimentate cu baterii nu trebuie să fie racordate la o priză electrică; de aceea, acestea sunt întotdeauna în stare de funcționare. Pentru prevenirea vătămărilor corporale grave, adoptați măsuri de siguranță suplimentare și de îngrijire când efectuați operații de întreținere, service sau înlocuiți accesoriile de tăiere sau alte accesorii.

⚠️ AVERTISMENT: Pentru prevenirea rănilor personale grave, scoateți acumulatorul din sculă înainte de a depana, curăța, înlocui accesoriile detașabile sau de a îndepărta materialul din produs.

ÎNLOCUIREA LAMEI ROTATIVE DE TĂIERE

⚠️ AVERTISMENT: Dacă lama se slăbește după fixarea ei în poziție sau dacă lamele sunt foarte tocite, înlocuiți-le imediat. Nu utilizați niciodată o sculă cu un cap de tăiere slăbit sau ineficace.

Descrierea capului ROTATIV DE TĂIERE precum în ilustrațiile din Fig. D1.

D-1	Capac tijă	D-5	Șaibă
D-2	Lamă superioară	D-6	Culisor
D-3	Lamă inferioară	D-7	Piuliță
D-4	Capac de suport		

1. Amplasați cutia angrenajelor a capului ROTATIV DE TĂIERE pe o suprafață solidă. Prindeți lamele inferioare și superioare cu clești sau într-o menghină, după care utilizați cheia pentru a slăbi piulița (Fig.D2).
2. Îndepărtați piulița, culisorul, șaiba, capacul de suport, lama inferioară, lama superioară, capacul axului în ordinea ilustrată în Fig. D1.

3. Înaintea instalării unor lame noi, amplasați capacul axului pe ax (Fig.D3). Introduceți lama superioară cu orificiul hexagonal mare pe ax, cu suprafața marcată cu logo-ul „EGO” îndreptată înspre cutia de angrenaje (Fig.D4), apoi instalați lama inferioară cu orificiul hexagonal mic pe ax cu suprafața marcată cu logo-ul „EGO” îndreptată înspre operator (Fig.D5).

OBSERVAȚIE: Asigurați-vă că orificiile hexagonale de pe lame și flancul axului sunt bine instalate. În caz contrar, când lamele sunt asamblate invers, capul ROTATIV DE TĂIERE nu va funcționa corect și va avaria lamele.

4. Urmați ordinea indicată în Fig.D1 pentru a le reasambla.

LUBRIFIEREA CUTIEI DE VITEZE

Pentru o durată de viață cât mai lungă și rezultate de utilizare cât mai bune, lubrifiați cutia de viteze cu unsoare specială (4-5g de fiecare dată) după fiecare 50 de ore de utilizare.

Unsoarea specială trebuie să întrunească următoarele cerințe.

1. Să aparțină categoriei DIN51818: NLGI-1 grad de penetrație cu con.
2. Unsoare pe bază de ester.
3. Pornire excelentă la temperaturi joase, EP; rezistență mecanică, rezistență la frecare și proprietăți de stabilitate oxidantă.
4. Intervalul de temperatură trebuie să fie cuprins între -40°C-180°C. Îndepărtați șurubul de etanșeizare Introduceți unsoarea în cutia de viteze prin orificiul de ungere cu ulei.

⚠️ AVERTISMENT: Nu lubrifiați cât timp scula mai este conectată la baterie sau este în funcțiune.

CURĂȚAREA PRODUSULUI

- Curățați scula cu o cârpă umedă, înmuiată în detergent cu acțiune moderată.
- Nu utilizați detergenți puternici pe carcasa de plastic sau pe mâner. Acestea pot fi deteriorate de anumite uleiuri parfumate precum brad și lămâie, și de către solvenți precum kerosenul. Umezeala poate cauza un risc de electrocutare. Ștergeți orice urmă de umezeală cu o cârpă uscată.

RO

DEPOZITAREA PRODUSULUI

- Scoateți setul de acumulatori din trimmerul cu fir când acesta nu este utilizat.
- Curățați scula bine înainte de a o depozita.
- Depozitați produsul într-un loc uscat, bine ventilat, închis cu cheia sau la înălțime, inaccesibil copiilor. Nu depozitați produsul peste sau lângă îngrășăminte, benzină sau alte substanțe chimice.
- Folosiți o husă de transport în cazul lamelor metalice, pe durata transportului și a depozitării.

Protejarea mediului înconjurător



DEEE (Deșeurile de echipamente electrice și electronice)

Nu eliminați echipamentul electric, încărcătorul de acumulator și acumulatorul împreună cu deșeurile menajere! Predați acest produs unui punct de reciclare autorizat sau puneți-l la dispoziția colectării separate. Sculele electrice trebuie returnate unui centru de reciclare ecologic.

DEPANAREA

PROBLEMĂ	CAUZĂ	SOLUȚIE
Capul ROTATIV DE TĂIERE nu pornește.	<ul style="list-style-type: none"> ■ Setul de acumulatori nu este atașat corect de capul de alimentare. ■ Setul de acumulatori este descărcat. ■ Maneta de blocare și trăgaciul nu sunt apăstate simultan. 	<ul style="list-style-type: none"> ■ Conectați setul de acumulatori de capul de alimentare. ■ Încărcați acest set de acumulatori cu încărcătorul EGO menționat în acest manual. ■ Apăsati maneta de blocare și țineți-o apăsată, după care apăsați trăgaciul declanșator pentru a pune porni unitatea.
Capul ROTATIV DE TĂIERE se oprește în timpul tăierii.	<ul style="list-style-type: none"> ■ Motorul este suprasolicitat. ■ Setul de acumulatori este prea fierbinte. ■ Setul de acumulatori este deconectat de la sculă 	<ul style="list-style-type: none"> ■ Motorul își va reveni după ce sarcina este îndepărtată. Pentru funcționare continuă, descreșteți gradul de solicitare al capului ROTATIV DE TĂIERE și evitați tăierea adâncă; în schimb, efectuați tăieri mai adânci în mod progresiv. ■ Lăsați setul de acumulatori să se răcească natural, sau suflați aer pentru a grăbi răcirea. ■ Reconectați setul de acumulatori.

GARANȚIE

POLITICA PRIVIND GARANȚIA EGO

Vă rugăm să consultați site-ul egopowerplus.com pentru termenii și condițiile complete ale politicii privind garanția EGO.

RO

PREBERITE VSA NAVODILA!



PREBERITE PRIROČNIK Z NAVODILI ZA UPORABO

⚠ Tveganje zaradi preostalega toka! Pred uporabo izdelka se morajo osebe z elektronskimi napravami, kot je srčni spodbujevalnik, posvetovati s svojim zdravnikom. Delovanje električne opreme v bližini srčnega spodbujevalnika lahko povzroči motnje ali okvaro srčnega spodbujevalnika.

⚠ OPOZORILO: Za zagotovitev varnosti in zanesljivosti mora vsa popravila in zamenjave izvesti usposobljen servisni tehnik.

VARNOSTNI SIMBOL

Namen varnostnih simbolov je, da vas opozorijo na morebitne nevarnosti. Bodite pozorni na varnostne simbole in njihova pojasnila ter jih poskušajte razumeti. Opozorilni simboli sami ne odpravljajo nobene nevarnosti. Navodila in opozorila niso nadomestilo za ustrezne ukrepe za preprečevanje nesreč.

⚠ OPOZORILO: poskrbite, da boste pred uporabo orodja prebrali in razumeli vsa varnostna navodila v priročniku z navodili za uporabo, vključno z vsemi simboli za varnostna opozorila, kot so »NEVARNOST«, »OPOZORILO«, in »SVARILO«. Neupoštevanje spodaj navedenih navodil se lahko odrazi v električnem udaru, požaru in/ali resnih telesnih poškodbah.

SL

POMEN SIMBOLA

⚠ SIMBOL VARNOSTNEGA OPOZORILO: Označuje NEVARNOST, OPOZORILO ALI PREVIDNOST in se lahko uporablja skupaj z drugimi simboli ali piktogrami.

⚠ OPOZORILO: Delovanje katerega koli električnega orodja lahko povzroči metanje tujkov v vaše oči, kar lahko povzroči resne poškodbe očesa. Pred začetkom dela z električnim orodjem vedno nosite zaščitna ali varnostna očala s stranskimi zaščitami in po potrebi tudi zaščito za celoten obraz. Priporočamo vam uporabo varnostne maske Wide Vision Safety Mask za uporabo prek očal ali standardnih varnostnih očal s stransko zaščito.

VARNOSTNA NAVODILA

Na tej strani so prikazani in opisani varnostni simboli, ki se lahko pojavijo na tem izdelku. Preberite in osvojite navodila na stroju ter jih upoštevajte, preden se lotite sestavljanja in upravljanja stroja.

	Varnostno opozorilo	Varnostni ukrepi.
	Preberite si priročnik za uporabo	Za zmanjšanje nevarnosti poškodb je pomembno, da si uporabnik pred uporabo naprave prebere in razume priročnik za upravljanje.
	Nosite zaščito za oči	Pri upravljanju tega izdelka vedno nosite zaščitna ali varnostna očala s stransko zaščito in zaščito za celoten obraz.
	Nosite zaščito za ušesa	Pri delu s tem izdelkom vedno nosite zaščito za ušesa.
	Nosite zaščito za glavo	Za zaščito glave nosite odobreno varnostno čelado.
	Nosite zaščitne rokavice	Med rokovanju z rezilom ali zaščito rezila zaščitite roke z rokavicami.
	Nosite zaščitno obutev	Pri uporabi te opreme nosite nedrsečo zaščitno obutev.
	Pazite na sunek rezila	Upravljalca opozorite na nevarnost sunka rezila.
	Nevarnost odboja, prisotni naj se zadržujejo na varni razdalji.	Izvrženi predmeti se lahko odbijejo in povzročijo telesno poškodbo ali poškodbo lastnine. Poskrbite, da bodo drugi ljudje in hišni ljubljenci ustrezno oddaljeni od motorne kose, ko je ta v uporabi.
	Prisotni naj se zadržujejo na varni razdalji.	Poskrbite, da bodo drugi ljudje in hišni ljubljenci vsaj 15 m stran od kosilnice z nitko, ko je ta v uporabi.
	Prepovedana uporaba okroglega rezila	Ne nameščajte okroglih rezil.
	Odpadna električna in elektronska oprema (OEEO)	Odpadnih električnih izdelkov ne odlagajte med gospodinjinske odpadke. Odnosite jih na pooblaščen obrat za recikliranje.

	Hrup	Zajamčena raven zvočne moči. Emisije hrupa v okolico so v skladu z direktivo Evropske skupnosti.
	CE	Ta izdelek je skladen z veljavnimi direktivami ES.
V	Volt	Napetost
n_0	Hitrost brez obremenitve	Vrtlina hitrost brez obremenitve
min ⁻¹	Na minuto	Število vrtljajev na minuto
	Enosmerni tok	Vrsta ali značilnost toka
kg	Kilogram	Teža

POMEMBNA VARNOSTNA NAVODILA

⚠ OPOZORILO: Preberite vsa varnostna opozorila, navodila, slike in tehnične podatke, ki so priloženi temu električnemu orodju. Zaradi neupoštevanja spodaj navedenih navodil lahko pride do električnega udara, požara in/ali hudih telesnih poškodb.

Vsa opozorila in navodila shranite za kasnejšo uporabo.

- Izogibajte se uporabi na nevarnih območjih – naprave ne uporabljajte na vlažnem ali mokrem klancu.
- Poskrbite, da bodo varovala nameščena in brezhibno delujoča.
- Z rokami in nogami ne segajte v območje košnje.
- Nikoli ne delajte na lestvi ali na drugi nestabilni podpori. Tako boste znatno zmanjšali nevarnost poškodb. Kosilne enote nikoli ne dvigujte nad višino pasu.
- Med uporabo redno preverjajte kosilno enoto v kratkih intervalih ali nemudoma po tem, ko opazite spremenjeno učinkovitost košnje.
- Za najboljše rezultate baterijo polnite na mestu, kjer je temperatura višja od 5 °C in nižja od 40 °C. Ne hranite je zunaj ali v vozilih.
- Če se vam kdo približa, takoj ustavite motor in kosilno enoto.
- Upravljalca opozorite na nevarnost sunka rezila.
- Do sunka rezila lahko pride takrat, ko vrteče rezilo zadene ob predmet, ki ga takoj ne prereže.

- Sunek rezila je lahko dovolj močan, da porine enoto in/ali upravljalca v katero koli smer in lahko povzroči izgubo nadzora nad enoto.
- Do sunka rezila lahko pride brez opozorila, če se rezilo zatika, ustavlja ali zapleta.
- Večja verjetnost za sunek rezila je na območjih, kjer je težko videti material, ki ga obrezujete.
- **Rezila nikoli ne priključite na enoto, ki nima pravilno nameščenih vseh potrebnih delov. Neuporaba pravih delov lahko povzroči, da rezilo pade z enote in resno poškoduje upravljalca in/ali osebe, ki se nahajajo v bližini. Rezila, ki so upognjena, zvita, razpokana, zlomljena ali kakor koli poškodovana, zavrzite. Uporabite ostro rezilo. Pri topem rezilu obstaja večja verjetnost, da se zatakne in povzroči sunek.**
- **Rezilo/nitka z vztrajnim momentom lahko povzroči poškodbo, ker se vrti tudi po zaustavitvi motorja ali po sprostitvi sprožilca. Obdržite nadzor toliko časa, da se rezilo/nitka popolnoma ustavi.**
- Baterijskih orodij ni treba priklopiti v električno vtičnico, zato so vedno v stanju delovanja. Zavedajte se mogočih nevarnosti tudi, ko orodje ne deluje. Bodite previdni pri vzdrževanju ali servisiranju.
- Naprave ne umivajte s cevjo. Voda ne sme zaiti v motor ali električne priključke.
- Če pride do situacij, ki niso zajete v tem priročniku, bodite pazljivi in uporabite dobro presojo. Za pomoč se obrnite na servisni center za stranke EGO.

SHRANITE TA NAVODILA.

SL

TEHNIČNI PODATKI

Št. vrtljajev brez obremenitve	Do 450/min
Rezilo	ABR2300
Priporočena obratovalna temperatura	Od 0°C do 40°C
Priporočena temperatura za shranjevanje	Od -20°C do 70°C
Optimalna temperatura polnjenja	Od 5°C do 40°C
Teža	1,9 kg
Izmerjena raven zvočne moči L_{WA}	96,1 dB(A) K = 3,8 dB (A)

Raven zvočnega tlaka v ušesu upravljalca L_{PA}	83,2 dB(A) K = 2,5 dB(A)		
Zajamčena raven zvočnega tlaka L_{WA} (izmerjeno v skladu z Direktivo 2000/14/ES)	100 dB(A)		
Vrednotenje oddajanja vibracij a_h :	Naprava	S STX3800	Z BCX3800
	Levi ročaj	0,7 m/s ² K = 1,5 m/s ²	0,6 m/s ² K = 1,5 m/s ²
	Desni ročaj		

- Nazivna skupna vrednost treslajev je bila izmerjena v skladu s standardno preskusno metodo in jo je mogoče uporabiti za primerjavo enega orodja z drugim.
- Nazivno skupno vrednost treslajev je mogoče uporabiti tudi za predhodno oceno izpostavljenosti.

OPOMBA: oddajanje treslajev med dejansko uporabo električnega orodja se lahko razlikuje od nazivne vrednosti, v kateri se uporablja orodje. Upravljalcev se lahko zaščiti tako, da uporablja rokavice in naušnike, primerne dejanskim pogojem uporabe.

OPIS

SPOZNAJTE PRIKLJUČEK ROTOCUT (sl. A)

1. Tesnilni vijak
2. Ohišje zobnikov
3. Rezilo
4. Zaščita za rezilo
5. Sklop varovala
6. Ključ
7. Imbus ključ
8. Puša (za uporabo s cevko s premerom 25 mm)

SEZNAM VSEBINE

IME DELA	KOLIČINA
ROTOCUT	1
Sklop varovala	1
Ključ	1
Imbus ključ	1
Puša	1
Priročnik za uporabo	1

SESTAVLJANJE

⚠ OPOZORILO: Če so deli poškodovani ali manjkajo, orodja ne uporabljajte, dokler ne zamenjate delov. Če ta izdelek uporabljate s poškodovanimi ali manjkajočimi deli, lahko pride do hudih telesnih poškodb.

⚠ OPOZORILO: Tega izdelka ne spreminjajte in ne izdelujte dodatkov, ki niso priporočeni za uporabo s to napravo. Vsako tako spreminjanje ali predelava se šteje za napačno uporabo in povzroči tveganja, ki lahko povzročijo hude telesne poškodbe.

⚠ OPOZORILO: Pri nameščanju delov vedno izključite baterijski priključek iz vtičnice, da preprečite nenamerni zagon, ki bi lahko povzročil hudo telesno poškodbo.

ZAMENJAVA GLAVE KOSILNICE Z GLAVO

ROTOCUT

1. Držite kosilnico z nitko/obrezovalnik grmičevja in z imbus ključem s pogonske gredi odstranite zaščitni pokrov kosilnice, glavo kosilnice in ohišje zobnikov (sl. B1–B3). Pogonska gred bo pozneje uporabljena pri montaži priključka ROTOCUT.
2. Priključek ROTOCUT vzemite iz embalaže, odvijte oba vijaka št. 1 in ju zadržite na pritrilni plošči, zrahljajte in odstranite vijak št. 2 s pritrilne plošče. (sl. B4)

B-1	Vijak št. 1	B-3	Pritrilna plošča
B-2	Vijak št. 2		

3. Nato vstavite glavo ROTOCUT na pogonsko gred, ki ste jo odstranili v koraku 1 in preverite, ali je luknja vijaka B-2 poravnana z luknjo na pogonski gredi (sl. B5).
4. Najprej vstavite vijak B-2 in ga privijte, nato pa privijte oba vijaka B-1 (sl. B6).
5. Odstranite ščitnik ROTOCUT iz embalaže in odvijte oba vijaka ščitnika. Odstranite in shranite oba vijaka in vzmetno podložko s ščitnika (sl. B7).
6. Glavo ROTOCUT dvignite in obrnite navzdol. Odprtini za namestitve v ščitniku poravnajte z dvema montažnima luknjama na pritrilni plošči ROTOCUT. Prepričajte se, da smer ščitnika ustreza spodnji sliki, oblika loka okoli rezalnih zob. (sl. B8).
7. Za pričvrstitve ščitnika uporabite imbus ključ.
8. Med delovanjem z rezila odstranite zaščito.

UPRAVLJANJE

⚠ OPOZORILO: Tudi če se dodobra seznanite s tem izdelkom, bodite pri ravnanju z njim pazljivi. Upoštevajte, da je samo delec sekunde, ko ste nepazljivi, dovolj, da pride do hude poškodbe.

⚠ OPOZORILO: Vedno nosite zaščito za oči in ušesa. Če tega ne storite, vam lahko v oči priletijo predmeti ali pride do drugih hudih poškodb.

⚠ OPOZORILO: Ne uporabljajte priključkov ali dodatkov, ki jih proizvajalec tega izdelka ne priporoča. Uporaba priključkov ali dodatkov, ki niso priporočeni, lahko povzroči hude telesne poškodbe.

⚠ OPOZORILO: Pred servisiranjem, čiščenjem, zamenjavo priključkov ali odstranjevanjem materiala iz enote odklopite baterijski sklop z orodja, da preprečite hudo telesno poškodbo.

Ta izdelek lahko uporabljate za naslednje namene:

Košnja in obrezovanje: uporablja se za obrezovanje trave okoli količkov ali varovalnih ograj, robov sten, robnikov ob cesti, ograj med voznimi pasovi ali obrezovanja vegetacije na parkiriščih.

OPOMBA: Pri uporabi ROTOCUT pazite, da ne izvrže tujkov, saj to predstavlja veliko tveganje: razbito steklo, vdolbine na karoserijah avtomobilov, reže v ograjah, odtrgano lubje drevesa ali telesne poškodbe.

ZA PRIKLOP/ODKLOP BATERIJSKEGA NAPAĀANJA (sl. C)

Pred prvo uporabo jo popolnoma napolnite.

Poravnajte oznako ▲ vtiča z oznako ▲ naprave. Vtič vstavite v orodje, dokler zeleno tesnilo popolnoma ne izgine v vtičnico.

Če želite izklopiti baterijsko napajanje, ga samo odklopite tako, da ga držite in potegnete nazaj.

ZAGON/ZAUSTAVITEV ORODJA (ZA STX3800 in BCX3800)

Oglejte si razdelek »ZAGON/ZAUSTAVITEV KOSILNICE Z NITKO« v priročniku za uporabo STX3800/BCX3800.

UPORABA ORODJA

⚠ OPOZORILO: Da se izognete resni telesni poškodbi, nosite varovalna ali zaščitna očala ves čas, ko delate z

enoto. Na prašnih lokacijah uporabljajte masko za obraz ali protiprašno masko.

Pred vsako uporabo počistite območje košnje. Odstranite vse predmete, kot so kamni, zdrobljeno steklo, žebliji, žica ali vrvi, ki jih lahko izvrže ali se zapletejo v priključek za košnjo. Otroci, prisotni in hišni ljubljenci naj se ne zadržujejo na območju. Otroci, prisotni in hišni ljubljenci naj bodo oddaljeni vsaj 15 m. Še vedno lahko obstaja nevarnost izvrženih predmetov za osebe, ki se nahajajo v bližini. Prisotni naj uporabljajo tudi zaščito za oči. Če se vam nekdo približa, takoj ustavite motor in priključek za košnjo.

Pred vsako uporabo napravo preglejte za poškodovane/obrabljene dele.

Preglejte glavo, ščitnik in krožno krmilo ROTOCUT ter zamenjajte dele, ki so razpokani, zviti, upognjeni ali kakor koli poškodovani.

⚠ OPOZORILO: Pri nameščanju zaščite ali izvajanju vzdrževalnih del na rezilu vedno nosite rokavice. Bodite pozorni na rezilo in dlan na ta način zaščitite pred urezninami.

Orodje po vsaki uporabi očistite.

POZOR: Če bodo na zračnih odprtinah ovire, bodo te ovirale tok zraka v ohišje motorja, kar bo privedlo do pregrevanja ali poškodbe motorja.

- Za čiščenje orodja uporabite blago milo in vlažno krpo. Ne dovolite, da bi tekočina zašla v orodje. Nobenega dela orodja nikoli ne potopite v katero koli tekočino.
- Poskrbite, da bodo zračne odprtine motorja vedno prosto prehodne.

VZDRŽEVANJE

⚠ OPOZORILO: Za popravila uporabljajte samo identične nadomestne dele. Orodje redno pregledujte in vzdržujte. Za zagotovitev varnosti in zanesljivosti mora vsa popravila izvesti usposobljen servisni tehnik.

⚠ OPOZORILO: Baterijskih orodij ni treba priklopiti v električno vtičnico, zato so vedno v stanju delovanja. Da preprečite hude telesne poškodbe, bodite izjemno previdni pri vzdrževanju, servisiranju ali zamenjavi priključka za košnjo oziroma drugih priključkov.

⚠ OPOZORILO: Da preprečite hudo telesno poškodbo, pred servisiranjem, čiščenjem, zamenjavo dodatnih priključkov ali odstranjevanjem materiala iz enote odklopite baterijski sklop iz orodja.

ZAMENJAVA REZILA ROTOCUT

⚠ OPOZORILO: Če se rezila zrahljajo, ko jih pritrdite v položaj ali so rezila močno obrabljena, jih takoj zamenjajte. Nikoli ne uporabljajte orodja, ki ima zrahljan ali slabo delujoč priključek za rezanje.

Spoznajte glavo ROTOCUT, kot je prikazano na sl. D1.

D-1	Nastavek gredi	D-5	Podložka
D-2	Zgornje rezilo	D-6	Drсни kolut
D-3	Spodnje rezilo	D-7	Matica
D-4	Oporni nastavek		

- Ohišje zobnikov glave ROTOCUT položite na trdno površino. Rezila v smeri navzgor in navzdol vpnite s kleščami ali s pomočjo primeža, nato pa s ključem odvijte matico (sl. D2).
- Odstranite matico, drsni kolut, podložko, oporni nastavek, rezilo navzdol, rezilo navzgor in nastavek gredi v zaporedju, kot je prikazano na sl. D1.
- Pred namestitvijo novih rezil nastavek gredi postavite na gred (sl. D3). Zgornje rezilo z veliko šesterokotno luknjo položite na gred s površino z natisnjenim logotipom »EGO«, obrnjeno proti ohišju zobnikov (sl. D4), nato pa spodnje rezilo z majhno šesterokotno luknjo položite na gred s površino z natisnjenim logotipom »EGO«, obrnjeno proti upravljavcu (sl. D5).

OPOMBA: Prepričajte se, da šesterokotne luknje na rezilih in opora šesterokotne gredi dobro nalegajo. V nasprotnem primeru, ko rezila namestite v obratni smeri, ROTOCUT ne more pravilno delovati in poškoduje rezila.

- Sledite zaporedju, prikazanemu na sl. D1, da jih ponovno sestavite.

MAZANJE OHIŠJA ZOBNIKOV

Za najboljše delovanje in dolgotrajnejšo uporabo namažite ohišje zobnikov vsakih 50 obratovalnih ur s posebno masljo (vsakič 4–5 g).

Posebna mast mora biti skladna z navedenimi zahtevami.

- Skladno s standardom DIN51818: stopnja penetracije stožca NLGI-1.
- Mast na osnovi estra.
- Odličen zagon pri nizki temperaturi, EP, mehanske škarje, odpornost proti odrgnjenju in lastnosti oksidacijske stabilnosti.
- Obratovalna temperatura mora vključevati -40°C~180°C. Odstranite tesnilni vijak. Mast nanesite v ohišje zobnikov skozi odprtino za olje.

⚠ OPOZORILO: Ne mažite, če je orodje še vedno priključeno na baterijski sklop ali deluje.

ČIŠČENJE ENOTE

- Enoto očistite z vlažno krpo in blagim detergentom.
- Za čiščenje plastičnega ohišja ali ročaja ne uporabljajte močnih čistilnih sredstev. Poškodujejo jih lahko določena aromatična olja, kot sta olje bora in limone, ter topila, kot je kerozin. Vlaga prav tako lahko ustvari nevarnost električnega udara. Vlago obrišite z mehko in suho krpo.

SHRANJEVANJE ENOTE

- Ko orodja ne uporabljate, z njega odstranite baterijski napajalnik.
- Orodje pred shranjevanjem temeljito očistite.
- Enoto shranjujte v suhem in dobro zračenem prostoru, ki ga je mogoče zakleniti ali je dvignjen, da je izven dosega otrok. Enote ne shranjujte na ali v bližino gnojil, bencina ali drugih kemikalij.
- Pri transportu ali shranjevanju uporabljajte pokrov.

Varovanje okolja



Odpadna električna in elektronska oprema (OEEO)

Električne opreme, iztrošene baterije in polnilnika ne odvrzite med gospodinjske odpadke. Izdelek odnesite na pooblaščen obrat za recikliranje in ga zavrzite ločeno. Električna orodja je treba odnesti na obrat za recikliranje in ga reciklirati na okolju prijazen način.

ODPRAVLJANJE TEŽAV

TEŽAVA	VZROK	REŠITEV
ROTOCUT se ne zažene.	<ul style="list-style-type: none">■ Baterijski sklop ni pravilno priključen na pogonsko glavo.■ Baterijski sklop je izpraznjen.■ Vzvod za odklepanje in sprožilec nista bila pritisnjena hkrati.	<ul style="list-style-type: none">■ Baterijski sklop priključite na pogonsko glavo.■ Baterijski sklop polnite z napajalnikom EGO, ki je naveden v tem priročniku.■ Vzvod za odklepanje pritisnite in ga pridržite, nato pritisnite sprožilec, da vključite enoto.
ROTOCUT se med košenjem ustavi.	<ul style="list-style-type: none">■ Motor je preobremenjen.■ Baterijski sklop je prevroč.■ Baterijski sklop je odklopljen z orodja.	<ul style="list-style-type: none">■ Motor bo zopet deloval, ko boste odpravili obremenitev. Pri neprekinjenem delu zmanjšajte obremenitev priključka ROTOCUT in se izogibajte globokim rezom; namesto tega naredite postopno globlje reze.■ Pustite, da se baterija ohladi ali s pihanjem zraka pospešite hlajenje.■ Ponovno priključite baterijski sklop.

GARANCIJA

GARANCIJSKA POLITIKA DRUŽBE EGO

Za popolne pogoje garancijske politike družbe EGO obiščite spletno mesto egopowerplus.com.

SL

PERSKAITYKITE VISĄ INSTRUKCIJĄ!



PERSKAITYKITE NAUDOJIMO INSTRUKCIJĄ

⚠ Liekamasis pavojus! Žmonėms, kuriems implantuoti elektroniniai prietaisai, pvz., širdies stimulatoriai, prieš pradėdami naudoti šį gaminį, reikia pasitarti su savo gydytoju (-ais). Arti širdies stimulatoriaus veikianti elektros įranga gali trikdyti širdies stimulatoriaus veikimą arba jį sugadinti.

⚠ ĮSPĖJIMAS: norint užtikrinti saugų ir patikimą gaminio naudojimą, visus remonto ir keitimo darbus turi atlikti kvalifikuotas techninės priežiūros specialistas.

SAUGOS SIMBOLIS

Saugos simbolių paskirtis – atkreipti dėmesį į galimus pavojus. Gerai susipažinkite su saugos simboliais bei jų paaiškinimais ir juos įsidėmėkite. Simbolių įspėjimai patys savaime negali apsaugoti nuo pavojų. Jais žymimi nurodymai ir įspėjimai neatstoja tinkamų nelaimingų atsitikimų prevencijos priemonių.

⚠ ĮSPĖJIMAS: Prieš pradėdami naudoti šį įrankį, perskaitykite visus šioje naudojimo instrukcijoje pateiktus saugos nurodymus, taip pat susipažinkite su visais saugos įspėjimaisiais simboliais, tokiais kaip **PAVOJUS**, **ĮSPĖJIMAS** ir **DĖMESIO** ir įsitikinkite, ar juos supratote. Nesilaikant visų toliau išdėstytų nurodymų galima patirti elektros smūgį, sukelti gaisrą ir (ar) sunkiai susižaloti.

LT

SIMBOLIO REIŠMĖ

⚠ SAUGOS ĮSPĖJAMASIS SIMBOLIS: Reiškia **PAVOJŲ**, **ĮSPĖJIMĄ**, ar **ATSARGUMO PRIEMONES** ir gali būti panaudotas su kitais simboliais arba piktogramomis.

⚠ ĮSPĖJIMAS: bet koks elektrinis įrankis naudojimo metu gali išsviesti šiukšlės, kurios gali pataikyti į akis ir sunkiai jas sužaloti. Prieš pradėdami naudoti elektrinį įrankį, visada užsidėkite apsauginius akinius arba apsauginius akinius su šonine apsauga ir, jei reikia, visą veidą dengiantį skydelį. Rekomenduojame naudoti platų matymo lauką užtikrinančią apsauginę kaukę, dedamą ant akinių, arba standartinius apsauginius akinius su šonine apsauga.

SAUGOS NURODYMAI

Šiame puslapyje pavaizduoti ir aprašyti saugos simboliai, kurie gali būti nurodyti ant šio gaminio. Prieš bandydami surinkti ir naudoti įrenginį, perskaitykite visus ant jo pateiktus nurodymus, įsitikinkite, ar juos supratote, ir jais vadovaukitės.

	Saugos įspėjimas	Atsargumo priemonės, skirtos užtikrinti jūsų saugumą.
	Skaityti naudojimo instrukciją	Kad sumažintų susižalojimo pavojų, naudotojas turi perskaityti naudojimo instrukciją ir įsitikinti, kad ją suprato.
	Užsidėti apsauginius akinius	Dirbdami su šiuo gaminiumi, visada užsidėkite apsauginius akinius arba apsauginius akinius su šonine apsauga ir visą veidą dengiantį skydelį.
	Užsidėti klausos apsaugos priemones	Dirbdami su šiuo gaminiumi visada dėvėkite klausos apsaugos priemones.
	Užsidėti galvos apsaugos priemonę	Galvai apsaugoti užsidėkite patvirtintą apsauginį šalną.
	Mūvėti apsaugines pirštines	Tvarkydami peilį ar jo apsaugą, apsaugokite rankas pirštinėmis.
	Mūvėti apsauginę avalynę	Dirbdami su šiuo įrankiu mūvėkite neslidžią avalynę.
	Saugokitės peilio atoveiksmio	Įspėkite operatorių apie peilio atoveiksmio keliamą pavojų.
	Rikošeto pavojus ir neleisti artintis pašaliniais asmenims	Išsviestos šiukšlės gali atsōkti ir sužaloti arba sugadinti turtą. Kai dirbate su krūmapjove, neleiskite kitiems asmenims ar naminiams gyvūnams prisitarti.

	Neleisti artintis pašaliniais asmenims	Pjudami žoliapjove su lyneliu, neleiskite kitiems žmonėms ir naminiams gyvūnams prisitrinti arčiau nei per 15 metrų.
	Nenaudoti pjovimo disko	Nenaudokite apskritų pjovimo diskų.
	WEEE	Elektros prietaisų atliekas draudžiama utilizuoti kartu su buitinėmis atliekomis. Nuvežkite įgaliotam perdirbėjui.
	Triukšmas	Garantuojamas garso galios lygis. Triukšmo sklaida į aplinką atitinka Europos Bendrijos direktyvą.
	CE	Šis gaminytis atitinka taikomas EB direktyvas.
V	Voltais	Įtampa
n_0	Sūkiai be apkrovos	Sukimosi greitis be apkrovos
min^{-1}	Per minutę	Sūkiai per minutę
	Nuolatinė elektros srovė	Srovės tipas arba charakteristika
kg	Kilogramai	Svoris

SVARBŪS SAUGOS NURODYMAI

⚠ ĮSPĖJIMAS: perskaitykite visus su šiuo elektriniu įrankiu pateiktus įspėjimus dėl saugos, instrukcijas, peržiūrėkite paveikslus ir specifikacijas. Nesilaikant visų toliau išdėstytų nurodymų galima patirti elektros smūgį, sukelti gaisrą ir (ar) sunkiai susižaloti.

Įsisaugokite visas instrukcijas su įspėjimais, nes jų gali prireikti ateityje.

- Venkite pavojingos aplinkos – nedirbkite su įrankiu drėgnuose šlaituose.
- Naudokite uždėtas techniškai tvarkingas apsaugas.
- Rankas ir pėdas laikykite atokiau nuo pjovimo

zonos.

- Kad sumažėtų pavojus susižaloti, niekada nedirbkite stovėdami ant kopėčių arba kito nestabilaus pagrindo. Niekada nelaikykite pjovimo įtaiso aukščiau juosmens.
- Tikrinkite pjovimo įtaisą reguliariais trumpais intervalais darbo metu arba iš karto, kai pastebite pasikeitusį pjovimo pobūdį.
- Siekiant geriausių rezultatų, bateriją reikia įkrauti vietoje, kurioje temperatūra yra nuo 5°C iki 40°C. Nelaikykite lauke ar automobilyje.
- Jeigu prie jūsų kas nors artinasi, sustabdykite variklį ir pjovimo įtaisą.
- Įspėkite operatorių apie peilio atoveiksimo keliamą pavojų.
- Peilio atatranka gali įvykti, kai besisukantis peilis atstrenkia į kliūtį, kurios negali iškart nupjauti.
- Peilio atatranka gali būti pakankamai staigi, kad atstumtų įrankį ir (ar) operatorių bet kuria kryptimi, dėl ko įrankio galite nesuvaldyti.
- Peilio atatranka gali įvykti be jokio įspėjimo, jei peilis užklius, įstrigs ar bus suspaustas.
- Peilio atatranka labiau tikėtina vietose, kuriose sunku matyti įjaujamą medžiagą.
- Ant įrankio netvirtinkite jokio peilio, prieš tai tinkamai nesumontavę visų būtinų dalių. Naudojant netinkamas dalis peilis gali nuskrieti ir sunkiai sužaloti operatorių ir (ar) pašalinius asmenis. Išmeskite sulenkčius, deformuotus, įtrūkusius, sulūžusius ar kitaip pažeistus peilius. Naudokite aštrų peilį. Yra didesnė tikimybė, kad bukas peilis užklius ir sukurs atoveiksmį.
- Iš inercijos besisukantis peilis ar lynelis gali sužeisti, nes jis vis dar sukasi sustabdžius variklį ar atleidus jungiklį. Tvirtai laikykite įrankį, kol peilis ar lynelis visiškai sustos.
- Akumuliatorinių įrankių nereikia įjungti į elektros lizdą; jie visada yra darbinės būsenos. Net įrankiui neveikiant neužmirškite apie jo keliamus pavojus. Atlikdami remonto arba techninės priežiūros darbus, būkite atidūs.
- Neplaukite vandens žarna. Saugokite, kad vandens nepatektų ant variklio ir elektros jungčių.
- Susidarius šioje instrukcijoje neaprašyti situacijai, būkite atsargūs ir vadovaukitės sveika nuovoka. Dėl techninės pagalbos kreipkitės į EGO klientų aptarnavimo centrą.

ĮSISAUGOKITE ŠIĄ INSTRUKCIJĄ!

LT

TECHNINIAI DUOMENYS

Sūkiiai be apkrovos	Iki 450 sūkių/min.		
Pjovimo įtaisas	ABR2300		
Rekomenduojama darbinė temperatūra	0 °C–40 °C		
Rekomenduojama sandėliavimo temperatūra	-20 °C –70 °C		
Optimali įkrovimo temperatūra	5 °C–40 °C		
Svoris	1,9 kg		
Išmatuotas garso galios lygis L_{WA}	96,1 dB(A) K = 3,8 dB (A)		
Garso slėgio lygis ties operatoriaus ausimi L_{PA}	83,2 dB(A) K = 2,5 dB(A)		
Garantuojamas garso galios lygis L_{WA} (išmatuotas pagal 2000/14/EB)	100 dB(A)		
Vibracijos vertė a_v :	Įrankis	Su STX3800	Su BCX3800
	Kairioji rankena	0,7 m/s ²	0,6 m/s ²
	Dešinioji rankena	K = 1,5 m/s ²	K = 1,5 m/s ²

- Nurodyta bendroji vibracijos vertė išmatuota taikant standartinį bandymo metodą, todėl pagal ją galima palyginti skirtingus įrankius.
- Nurodytą bendrąją vibracijos vertę taip pat galima naudoti pirminiam poveikio vertinimui.

PASTABA: Naudojant įrenginį realiomis sąlygomis, sklaidžiamos vibracijos stiprumo vertė gali skirtis nuo nurodytos. Kad apsaugotų dirbdamas realiomis sąlygomis, naudotojas turi mūvėti pirštines ir naudoti klausos apsaugos priemones.

APRAŠYMAS

SUSIPAŽINKITE SU SAVO „ROTOCUT“ (A pav.)

1. Sandarinimo varžtas
2. Reduktoriaus korpusas
3. Peilis
4. Peilio dėklas
5. Apsaugos konstrukcija
6. Veržliaraktis
7. Šešiabriaunis raktas
8. Įvorė (25 mm skersmens vamzdžiui)

PAKUOTĖS TURINIO SĄRAŠAS

DALIES PAVADINIMAS	KIEKIS
ROTOCUT	1
Apsaugos konstrukcija	1
Veržliaraktis	1
Šešiabriaunis raktas	1
Įvorė	1
Naudojimo instrukcija	1

SURINKIMAS

⚠️ ĮSPĖJIMAS: jei kurios nors dalys pažeistos arba jų nėra, nenaudokite šio gaminio tol, kol tos dalys nebus pakeistos. Naudojant šį gaminį su pažeistomis dalimis arba kai jų trūksta, galima sunkiai susižaloti.

⚠️ ĮSPĖJIMAS: nebandykite keisti šio gaminio konstrukcijos arba naudoti priedus, kurie nėra rekomenduojami naudoti su šiuo įrankiu. Visi tokie pakeitimai laikomi netinkamu naudojimu ir gali sukelti pavojingas situacijas, kurių metu galite būti sunkiai susižaloti.

⚠️ ĮSPĖJIMAS: norėdami išvengti atsitiktinio paleidimo, dėl kurio galite sunkiai susižaloti, dalių surinkimo metu visada ištraukite baterijos jungtį iš lizdo.

ŽOLIAPJOVĖS GALVUTĖS KEITIMAS Į „ROTOCUT“ GALVUTĘ

1. Prilaikydami žoliapjovę su lyneliu / krūmapjovę, atsukę šešiabriauniu raktu nuo pavaros veleno nuimkite žoliapjovės apsaugą, žoliapjovės galvutę ir reduktoriaus korpusą (B1–B3 pav.). Vėliau varančiojo veleno reikės tvirtinant ROTOCUT.
2. Išimkite ROTOCUT iš pakuotės, atsukite abu varžtus (1) ir palikite juos tvirtinimo plokštėje, išsukite ir iš tvirtinimo plokštės ištraukite abu varžtus (2) (B4 pav.).

B-1	Varžtas (1)	B-3	Tvirtinimo plokštė
B-2	Varžtas (2)		

3. Įstatykite ROTOCUT galvutę ant varančiojo veleno nuimto 1 žingsnyje, įtaikydami B-2 varžto angą į varančiojo veleno angą (B5 pav.).

- Pradžioje įstatykite ir priveržkite B-2 varžtą, o po to priveržkite abu B-1 varžtus (B6 pav.).
- Išimkite ROTOCUT iš pakuotės ir išsukite abu apsaugos varžtus. Ištraukite iš apsaugos abu varžtus su spyruoklinėmis poveržlėmis ir pasidėkite (B7 pav.).
- Pakelkite ROTOCUT galvutę ir nukreipkite ją žemyn; sulygininkite abi apsaugos tvirtinimo angas su abiem tvirtinimo angomis ROTOCUT tvirtinimo plokštėje. Apsauga turi būti pasukta taip, kaip parodyta toliau paveiksle: lanko formos dalis turi apgaubti pjovimo dantukus (B8 pav.).
- Šešiabriauniu raktu priveržkite apsaugą savo vietoje.
- Prieš pradėdami dirbti nuo peilio nuimkite jo dėklą.

NAUDOJIMAS

⚠️ ĮSPĖJIMAS: mokėjimas naudotis šiuo įrankiu nesuteikia teisės dirbti nerūpestingai. Atsiminkite, kad trumpam atitraukę dėmesį galite sunkiai susižaloti.

⚠️ ĮSPĖJIMAS: būtinai naudokite akių ir klausos apsaugos priemones. Nesilaikant šio nurodymo į akis gali pateikti išsviestos šiukšlės arba galite kitaip sunkiai susižaloti.

⚠️ ĮSPĖJIMAS: nenaudokite jokių priedų arba įtaisų, kurių nerekomendavo šio įrankio gamintojas. Naudojant nerekomenduojamus papildomus įtaisus arba priedus, galima sunkiai susižaloti.

⚠️ ĮSPĖJIMAS: kad išvengtumėte sunkių traumų, prieš atlikdami įrankio techninę priežiūrą, valydami, keisdami priedus arba valydami žolės likučius, atjunkite įrankio bateriją.

Galite naudoti šį gaminį toliau išvardytais tikslais:

Pjovimas: pjauti žolę aplink stulpus ar apsauginius turėklus, šalia sienų, kelkraščių ar kelio aptvarų, arba automobilių stovėjimo aikštelėse.

PASTABA: Pjaudami su ROTOCUT saugokitės, kad įtaisas neišsviestų šiukšlių, kurios gali išdaužti langą, įlenkti automobilio kėbulą, pažeisti tvorą ar medžio žievę arba sužaloti žmogų.

BATERIJOS PRIJUNGIMAS IR ATJUNGIMAS (C pav.)

Prieš naudodami pirmą kartą, visiškai įkraukite bateriją.

Sulyginkite ▲ žymę ant kištuko su ▲ žyme ant įrankio. Stumkite kištuką į įrankį, kol žalias tarpiklis pasislėps lizde.

Norint bateriją atjungti, reikia tiesiog ištraukti kištuką iš lizdo.

ĮRANKIO PALEIDIMAS IR SUSTABDYMAS (STX3800 IR BCX3800)

Žr. „ŽOLIAPJOVĖS SU LYNELIU / KRŪMAPJOVĖS PALEIDIMAS IR SUSTABDYMAS“ skyrių STX3800 / BCX3800 naudojimo instrukcijoje.

ĮRANKIO NAUDOJIMAS

⚠️ ĮSPĖJIMAS: siekdami išvengti sunkaus susižalojimo, dirbdami su įrankiu visada dėvėkite apsauginius akinius. Dirbdami dulkelioje aplinkoje, užsidėkite visą veidą dengiančią kaukę arba respiratorių.

Kaskart prieš naudodami išvalykite pjaunamą plotą nuo šiukšlių. Pašalinkite visas klūtis, pavyzdžiui, akmenukus, stiklo duženas, vinius, vielas ar laidus, t. y. šiukšles, kurias pjovimo įtaisas gali išsviesti į orą arba jose įspainioti. Darbo zonoje neturi būti vaikų, pašalinių asmenų ir naminių gyvūnų. Vaikai, pašaliniai asmenys bei naminiai gyvūnai turi būti atitraukti ne mažesniu kaip 15 m atstumu; net ir tokiu atveju išlieka pavojus pašaliniams asmenims dėl išsviestų šiukšlių. Šalia esantys asmenys turi dėvėti akių apsaugą. Jeigu matote jūsų link artėjančią asmenį, nedelsdami išjunkite pjovimo įtaisą.

Kaskart prieš naudodami įrankį patikrinkite, ar nėra pažeistų ir (ar) sudilusių dalių.

Apžiūrėkite pjovimo galvutę, apsaugą ir lanko formos rankeną. Pakeiskite sutrūkinėjusias, pakeitusias formą, sulinkusias arba bet kaip kitaip pažeistas dalis.

⚠️ ĮSPĖJIMAS: tvirtindami apsaugą arba tvarkydami peilį visada mūvėkite pirštines. Saugokitės peilio ir apsaugokite rankas nuo įpjovimo.

Kaskart baigę naudoti įrankį jį išvalykite.

⚠️ DĖMESIO: ventiliacinėse angose susikaupę šiukšlės trukdo orui patekti į variklio korpusą, dėl ko variklis gali perkaisti ar sugesti.

- Įrankį valykite tik mažos koncentracijos indų ploviklio tirpale sudrėkinta šluoste. Niekada neleiskite jokiam skysčiui patekti į įrankio vidų; niekada nenardinkite jokios įrankio dalies į skystį.
- Variklio korpuso ventiliacinės angos visada turi būti neužkimštos.

TECHNINĖ PRIEŽIŪRA

⚠️ ĮSPĖJIMAS: atlikdami techninės priežiūros darbus, naudokite tik identiškas atsargines dalis. Įrankį reguliariai tikrinkite ir techniškai prižiūrėkite. Norint užtikrinti saugumą ir patikimumą, visus remonto darbus turi atlikti kvalifikuotas techninės priežiūros specialistas.

⚠️ ĮSPĖJIMAS: Akumuliatorinių įrankių nereikia įjungti į elektros lizdą; jie visada yra darbinės būsenos. Norėdami išvengti sunkių sužalojimų, imkitės papildomų atsargumo priemonių ir būkite atidūs atlikdami techninę priežiūrą, remontą ar keisdami pjovimo įtaisą ar kitus priedus.

⚠️ ĮSPĖJIMAS: kad sunkiai nesusižalotumėte, prieš atlikdami įrankio techninę priežiūrą, valydami, keisdami priedus arba valydami žolės likučius, atjunkite įrankio bateriją.

ROTOCUT PEILIO KEITIMAS

⚠️ ĮSPĖJIMAS: Atsipalaidavus savo vietoje pritvirtintam peiliui arba jam sudilus, nedelsdami jį pakeiskite. Niekada nenaudokite įrankio, jeigu jo pjovimo įtaisas atsipalaidavęs ar prastai pjauja.

Susipažinkite su ROTOCUT galvute (D1 pav.)

D-1	Veleno puodelis	D-5	Poveržlė
D-2	Viršutinis peilis	D-6	Slystantis dubenėlis
D-3	Apatinis peilis	D-7	Veržlė
D-4	Atraminis puodelis		

LT

- Atremkite ROTOCUT galvutės reduktoriaus korpusą į kietą paviršių. Įtvirtinkite viršutinį ir apatinį peilį spaustuvuose ar prilaikykite replėmis ir veržliarakčiu atsukite veržlę (D2 pav.).
- Nuimkite veržlę, slystantį dubenėlį, poveržlę, atraminį puodelį, apatinį peilį, viršutinį peilį ir veleno puodelį D1 paveiksle nurodyta tvarka.
- Prieš uždėdami naujus peilius ant veleno uždėkite veleno puodelį (D3 pav.). Uždėkite ant veleno viršutinį peilį su plačia šešiakampe anga taip, kad paviršiuje įspaustas „EGO“ logotipas būtų nukreiptas į reduktoriaus korpusą (D4 pav.), po to uždėkite ant veleno apatinį peilį su siaura šešiakampe anga taip, kad paviršiuje įspaustas „EGO“ logotipas būtų nukreiptas į operatorių (D5 pav.).

PASTABA: šešiakampės peilių angos turi atitikti šešiakampius veleno profilius. Atvirkščiai pritvirtinus peilius, ROTOCUT tinkamai nedirbs ir sugadinsite peilius.

- Peilių nuėmimo tvarka parodyta D1 paveiksle.

REDUKTORIAUS TEPIMAS

Kad įrankis geriau ir ilgiau dirbtų, reduktorių sutepkite specialiu tepalu (kiekvienu kartą po 4–5 g) kas 50 naudojimo valandų.

Specialus tepalas turi atitikti šiuos reikalavimus.

- Atitikti DIN 51818 standartą: NLGI-1 kūgio skvarbos laipsnis.
- Tepalas esterių pagrindu.
- Nepraranda savo savybių žemoje temperatūroje, atsparus mechaninei šlyčiai, dilimui ir oksidacijai.
- Darbinė temperatūra nuo -40 °C iki 180 °C. Išsukite sandarinimo varžtą. Tepimo angą reduktoriaus korpuse užpildykite tepalu.

⚠️ ĮSPĖJIMAS: nebandykite tepti veikiančio arba nuo baterijos neatjungto įrankio.

ĮRANKIO VALYMAS

- Įrankį valykite mažos koncentracijos ploviklio tirpalu suvilgyta šluoste.
- Plastikinėms korpuso arba rankenos dalims valyti nenaudokite jokių koncentruotų ploviklių. Aromatinės alyvos (pvz., pušies ar citrinų) ir tirpikliai, pvz., žibalas, gali jas sugadinti. Drėgmė taip pat gali kelti elektros smūgio pavojų. Bet kokią drėgmę nusausinkite minkštu sausu audeklu.

ĮRANKIO SANDĖLIAVIMAS

- Kai įrankio nenaudojate, atjunkite nuo jo bateriją.
- Prieš sandėliavimą kruopščiai nuvalykite įrankį.
- Laikykite sausoje, gerai vėdinamoje, rakinamoje patalpoje arba aukštai, vaikams neprieinamoje vietoje. Nelaikykite įrankio ant arba šalia trašų, benzino arba kitų chemikalų.
- Gabenimui arba sandėliavimui naudokite pjovimo peilių apsauginį dėklą.

Aplinkos apsauga



WEEE (elektrinės ir elektroninės įrangos atliekos)

Neišmeskite elektros įrangos, panaudotų baterijų ir įkroviklio kartu su buitinėmis atliekomis! Šias atliekas reikia pristatyti į jų surinkimo vietą ar įgaliotam perdirbėjui. Elektrinius įrankius reikia gražinti į atitinkamą perdirbimo įmonę.

TRIKČIŲ DIAGNOSTIKA

PROBLEMA	PRIEŽASTIS	SPRENDIMAS
ROTOCUT nepasileidžia.	<ul style="list-style-type: none"> ■ Sudėtinė baterija tinkamai neprijungta prie elektrinės galvutės. ■ Sudėtinė baterija visiškai išsikrovusi. ■ Vienu metu nenuspausta blokuotės išjungimo svirtelė ir jungiklis. 	<ul style="list-style-type: none"> ■ Prijunkite sudėtinę bateriją prie elektrinės galvutės. ■ Įkraukite sudėtinę bateriją šioje naudojimo instrukcijoje nurodytu EGO įkrovikliu. ■ Norėdami įjungti įrankį, nuspauskite ir laikykite nuspaudę blokuotės išjungimo svirtelę, o po to nuspauskite jungiklį.
ROTOCUT sustoja pjaunant.	<ul style="list-style-type: none"> ■ Variklio perkrova. ■ Sudėtinė baterija yra pemelyg įkaitusi. ■ Sudėtinė baterija atjungta nuo įrankio. 	<ul style="list-style-type: none"> ■ Variklis ims veikti normaliai pašalinus apkrovą. Kad įrankis nesustotų, sumažinkite ROTOCUT apkrovą ir nepjaukite giliai; vietoje to pjūvius gilinkite palaipsniui. ■ Leiskite sudėtinei baterijai natūraliai atvėsti arba pūskite į ją orą, jei procesą norite pagreitinti. ■ Vėl prijunkite sudėtinę bateriją.

GARANTIJA

EGO GARANTINĖ POLITIKA

Norėdami sužinoti visas EGO garantinės politikos sąlygas, apsilankykite interneto svetainėje egopowerplus.com.

IZLASIET VISUS NORĀDĪJUMUS!



IZLASIET LIETOTĀJA ROKASGRĀMATU

⚠ Citi riski! Personām, kuras lieto elektroniskas ierīces, piemēram, elektrokardiostimulatorus, pirms šīs ierīces lietošanas jākonsultējas ar savu ārstu. Elektriskā aprīkojuma darbība sirds elektrokardiostimulatora tuvumā var radīt stimulatora darbības traucējumus vai kļūmes.

⚠ BRĪDINĀJUMS! Lai garantētu drošību un uzticamību, ierīces remontu un tās detaļu nomaiņu uzticiet veikt tikai kvalificētam servisa tehniķim.

DROŠĪBAS APZĪMĒJUMS

Drošības apzīmējumi ir paredzēti, lai pievērstu jūsu uzmanību iespējamem apdraudējumiem. Pievērsiet uzmanību drošības apzīmējumiem un to skaidrojumiem, un izprotiet tos. Brīdinājumu apzīmējumi paši par sevi nenovērš apdraudējumu. Tajos ietvertie norādījumi un brīdinājumi neaizstāj atbilstošu negadījumu novēršanas pasākumu īstenošanu.

⚠ BRĪDINĀJUMS! Pirms šī instrumenta lietošanas izlasiet un izprotiet visus šajā lietotāja rokasgrāmatā iekļautos drošības norādījumus, tostarp visus drošības brīdinājuma apzīmējumus, piemēram, „**BĪSTAMI!**”, „**BRĪDINĀJUMS!**” un „**UZMANĪBU!**”. Visu turpmāk uzskaitīto norādījumu neievērošana var izraisīt elektriskās strāvas triecienu, aizdegšanos un/vai smagus miesas bojājumus.

LV

SIMBOLA NOZĪME

⚠ DROŠĪBAS BRĪDINĀJUMA APZĪMĒJUMS: Norāda signālvārdu **BRIESMAS, BRĪDINĀJUMS VAI UZMANĪBU**; var būt norādīts kopā ar citiem apzīmējumiem vai piktogrammām.

⚠ BRĪDINĀJUMS! Jebkura elektroinstrumenta lietošanas laikā acis var iekļūt svešķermeņi, kas var radīt smagu acu traumu. Pirms elektroinstrumenta ieslēgšanas vienmēr uzvelciet aizsargbrilles vai aizsargbrilles ar sānu aizsargiem un, ja nepieciešams, pilnu sejas aizsargmasku. Iesakām izmantot aizsargmasku ar plašu skatu leņķi, ko uzvelk virs parastajām brillēm, vai arī standartā aizsargbrilles ar sānu aizsargiem.

DROŠĪBAS INSTRUKCIJA

Šajā lapaspusē ir parādīti un aprakstīti drošības apzīmējumi, kas var būt norādīti uz šī izstrādājuma. Pirms iekārtas montāžas un lietošanas izlasiet, izprotiet un ievērojiet visus uz iekārtas sniegtos norādījumus.

	Drošības brīdinājums	Piesardzības pasākumi personiskai drošībai.
	Izlasiet ekspluatācijas rokasgrāmatu	Lai mazinātu traumu rašanās bīstamību, pirms šī izstrādājuma lietošanas tā lietotājam jāizlasa un jāizprot lietošanas rokasgrāmatu.
	Valkāt acu aizsarglīdzekļus	Šī izstrādājuma darbināšanas laikā vienmēr valkājiet aizsargbrilles vai aizsargbrilles ar sānu aizsargiem un pilnu sejas aizsargmasku.
	Valkāt dzirdes aizsarglīdzekļus	Strādājot ar šo instrumentu, vienmēr izmantojiet dzirdes aizsarglīdzekļus.
	Valkāt galvas aizsarglīdzekļus	Valkājiet apstiprinātu cieta aizsargcepurīti, lai pasargātu savu galvu.
	Valkāt aizsargcimdus	Darbojoties ar asmeni vai asmens aizsargu, sargājiet savas rokas, valkājot cimdus.
	Valkāt drošības apavus	Lietojot šo aprīkojumu, valkājiet drošības apavus ar neslidošu zoli.
	Sargieties no asmens atsitiena	Brīdiniet operatoru par asmens atsitiena briesmām.
	Atsitiena risks! Neļauj tuvuoties nepiederošām personām!	Lidojoši priekšmeti var atsitīties un radīt miesas bojājumus vai kaitējumu īpašumam. Lietojot krūmgriezi, sekojiet, lai citi cilvēki un mājdzīvnieki neatrastos tā tuvumā
	Neļaujiet tuvuoties nepiederošām personām	Lietojot auklas trimmeri, sekojiet, lai citi cilvēki un mājdzīvnieki atrastos vismaz 15 m attālumā no tā.

	Nav paredzēts izmantot apaļas formas asmeni	Neuzstādiēt apaļas formas griešanas asmeņus.
	EEIA	Elektrisko izstrādājumu atkritumus nedrīkst izmest kopā ar sadzīves atkritumiem. Nogādājiet uz pilnvarotu pārstrādes punktu.
	Troksnis	Garantētais skaņas intensitātes līmenis. Trokšņa emisija vidē atbilstoši Eiropas Kopienas direktīvai
	CE	Šis izstrādājums atbilst piemērojamām EK direktīvām.
V	Volti	Spriegums
n_0	Apgrīzeņu skaits bez slodzes	Rotācijas ātrums bez slodzes
min ⁻¹	Minūtē	Apgrīzeņi minūtē
	Līdzstrāva	Strāvas veids vai raksturojums
kg	kilograms	Svars

SVARĪGAS DROŠĪBAS INSTRUKCIJAS

⚠ BRĪDINĀJUMS! Izlasiet visus ar šo elektroinstrumentu saistītos drošības brīdinājumus, norādījumus, specifikācijas un aplūkojiet attēlus. Visu turpmāk uzskaitīto norādījumu neievērošana var izraisīt elektriskās strāvas triecienu, aizdegšanos un/vai nopietnas traumas

Saglabājiet visus brīdinājumus un instrukcijas turpmākai atsaucei.

- Izvairieties no bīstamas vides — nelietojiet instrumentus mitrās vai slapjās vietās slīpumā.
- Sekojiet, lai aizsargi atrastos paredzētajās vietās un būtu labā darba stāvoklī.
- Neturiet rokas un kājas griešanas zonā.

- Lai mazinātu traumu rašanās iespējamību, nekādā gadījumā nestrādājiet, stāvot uz trepēm vai uz cita nedroša balsta. Nekad neturiet griešanas ierīci augstāk par ķermeņa vidukli.
- Darbarīka lietošanas laikā regulāri pārbaudiet griešanas ierīci vai arī dariet to uzreiz, līdzko konstatējat būtiskas izmaiņas griešanas darbībā.
- Lai iegūtu optimālāko rezultātu, akumulatora uzlāde jāveic vietā, kurā temperatūra ir virs 5° un ne augstāka par 40°. Neuzglabājiet akumulatoru ārpus telpām vai automašīnās.
- Ja strādājat ar ierīci kāds jums tuvojas, apturiet motoru un griešanas ierīci.
- Brīdiniet operatoru par asmens atsitiena briesmām.
- Asmens atsitieni var rasties, ja rotējošs asmens saskaras ar priekšmetu, ko tas uzreiz nesagriež.
- Asmens atsitieni var būt pietiekami spēcīgi, lai pagrūstu ierīci un/vai operatoru jebkurā virzienā, un, iespējams, zaudētu vadību pār ierīci.
- Asmens atsitieni var atgadīties pēkšņi, ja asmens iekļūst, saķeras vai apstājas motors.
- Asmens atsitieni biežāk rodas zonās, kur ir grūti saskatīt zāgējamo materiālu.
- Nepiestipriniet asmeni pie ierīces, ja nav atbilstoši uzstādītas visas nepieciešamās detaļas. Ja netiek izmantotas atbilstošas detaļas, asmens var nokrist no ierīces un nopietni savainot operatoru un/vai apkārtējos cilvēkus. Atbrīvojieties no asmeņiem, kas jebkādā veidā ir saliekti, likumaini, ielaisājuši, salūzuši vai sabojāti. Izmantojiet asu asmeni. Neass asmens var iekļerties un izraisīt atsitienus.
- Kustīgs asmens/aukla, kas pēc motora apturēšanas vai sprūda atļaišanas turpina griezties, var radīt traumas. Nenovērsiet uzmanību no asmens/auklas, līdz tie nav pilnībā pārstājuši griezties.
- Ar akumulatoru darbināmiem instrumentiem nav jābūt pievienotiem strāvas avotam, tāpēc tie vienmēr ir gatavi darbam. Pat, ja darbarīks nedarbojas, vienmēr sargieties no iespējama apdraudējuma. Ievērojiet piesardzību, veicot apkopes vai uzturēšanas darbus.
- Nemazgājiet ar šļūteni; nepieļaujiet ūdens iekļūšanu motorā un elektriskajos savienojumos.
- Gadījumos, kas nav aprakstīti šajā rokasgrāmatā, esiet uzmanīgi un rīkojieties prātīgi. Lai saņemtu palīdzību, sazinieties ar EGO klientu apkalpošanas centru.

SAGLABĀJIET ŠOS NORĀDĪJUMUS!

LV

SPECIFIKĀCIJAS

Apgrīzēju skaits, strādājot bez slodzes	Līdz 450/min.		
Griezējasmens	ABR2300		
Ieteicamā darba temperatūra	0°C - 40°C		
Ieteicamā uzglabāšanas temperatūra	-20 C- 70°C		
Optimālā uzlādes temperatūra	5°C - 40°C		
Svars	1,9 kg		
Izmērītais skaņas intensitātes līmenis L_{WA}	96,1 dB(A) K = 3,8 dB (A)		
Trokšņa spiediena līmenis pie lietotāja auss L_{PA}	83,2 dB(A) K = 2,5 dB(A)		
Garantētais skaņas intensitātes līmenis L_{WA} (izmērīts saskaņā ar 2000/14/EK)	100 dB(A)		
Vibrācijas ietekmes novērtējums a_h :	Iekārta	Kopā ar STX3800	Kopā ar BCX3800
	Kreisais rokturis	0,7 m/s ² K = 1,5 m/s ²	0,6 m/s ² K = 1,5 m/s ²
	Labais rokturis		

- Norādītā vibrāciju kopējā vērtība ir izmērīta saskaņā ar standarta pārbaudes metodi un var tikt izmantota, lai salīdzinātu vairākus instrumentus.
- Deklarēto vibrāciju emisijas vērtību var arī lietot iepriekšējai vibrāciju iedarbības novērtēšanai.

LV

PIEZĪME! Vibrāciju emisijas faktiskajā elektroinstrumenta darbināšanas laikā var atšķirties no norādītās vērtības. Lai pasargātu operatoru, lietotājam jāvalkā cimdi un dzirdes aizsargtīdzekļi atbilstoši patiesajiem darba apstākļiem.

APRAKSTS

PĀRZINIET SAVU RITUĻU PRESI (A att.)

1. Blīvējuma skrūve
2. Pāresumkārbā
3. Asmens
4. Asmens aizsargs
5. Samontēts aizsargs
6. Uzgrīzēju atslēga
7. Seškanšu atslēga
8. Bukse (izmantošanai kopā ar 25 mm lielu diametra cauruli)

KOMPLEKTĀCIJA

DAĻAS NOSAUKUMS	SKAITS
RITUĻU PRESE	1
Samontēts aizsargs	1
Uzgrīzēju atslēga	1
Seškanšu atslēga	1
Bukse	1
Lietotāja rokasgrāmata	1

MONTĀŽA

▲ BRĪDINĀJUMS! Ja kāda daļa ir bojāta vai trūkst, nedarbiniet šo izstrādājumu, kamēr nav nomaiņīta bojātā daļa. Darbinot šo izstrādājumu ar bojātām vai trūkstošām daļām, varat gūt smagus miesas bojājumus.

▲ BRĪDINĀJUMS! Nemēģiniet pārveidot šo instrumentu vai izveidot piederumus, kas nav ieteicami lietošanai kopā ar šo instrumentu. Jebkādi šādi uzlabojumi vai pārveidojumi ir uzskatāmi par neatbilstošiem lietošanai un var radīt bīstamus apstākļus, kas var izraisīt nopietnus ievainojumus.

▲ BRĪDINĀJUMS! Lai nepieļautu nejaušu instrumenta ieslēgšanos, kas var radīt smagas traumas, vienmēr izvelciet akumulatora spraudni no līgšanas, uzstādot daļas.

TRIMMERA GALVAS NOMAINĪŠANA AR RITUĻA PRESES GALVU

1. Pieturiet auklas trimmeri/krūmgriezi un ar seškanšu atslēgas palīdzību noņemiet no piedziņas vārpstas trimmera aizsargu, trimmera galvu un pāresumkārbu (B1-B3 att.) RITUĻU PRESES uzstādīšanai piedziņas vārpstu izmanto vēlāk.
2. Izņemiet no iepakojuma RITUĻU PRESI, atskrūvējiet abas skrūves 1# un atstājiet stiprinājuma plāksnē, atskrūvējiet un izņemiet no stiprinājuma plāksnes skrūvi 2 #. (B4 att.)

B-1	Skrūve 1#	B-3	Stiprinājuma plāksne
B-2	Skrūve 2#		

3. Pēc tam uzlieciet RITUĻU PRESES galvu uz piedziņas vārpstas, kas tika noņemta 1. darbības solī, un pārliecinieties, vai B-2 skrūves caurums sakrīt ar piedziņas vārpstas caurumu (B5. att.).

4. Vispirms ievietojiet B-2 skrūvi un pievelciet, pēc tam pievelciet abas B-1 skrūves (B6 att.).
5. Izņemiet RITUĻU PRESES aizsargu no iepakojuma un atskrūvējiet abas aizsarga skrūves. No aizsarga izņemiet un saglabājiet abas skrūves un atsperu paplāksnes (B7 att.).
6. Paceliet RITUĻU PRESES galvu ar tās priekšējo daļu vērstu uz leju; salāgojiet abus aizsarga montāžas caurumus ar abiem RITUĻU PRESES montāžas caurumiem stiprinājuma plāksnē. Aizsarga virzienam ir jāsakrīt ar zemāk attēlā norādīto, lai ap griezējzobiem veidotos loka forma. (B8 att.).
7. Aizsarga piestiprināšanai izmantojiet seškanšu atslēgu.
8. Ieslēgtas iekārtas laikā asmens aizsargam jābūt noņemtam no asmens.

EKSPLUATĀCIJA

⚠ BRĪDINĀJUMS! Saglabājiet modrību visu griezējinstrumenta lietošanas laiku. Neaizmirstiet, ka pat mīkls neuzmanības var izraisīt nopietnu traumu.

⚠ BRĪDINĀJUMS! Vienmēr valkājiet aizsargbrilles, kā arī dzirdes aizsarglīdzekļus. Šo noteikumu neievērošanas rezultātā acis var nonākt svešķermeņi vai arī jūs varat gūt citas smagas traumas.

⚠ BRĪDINĀJUMS! Nelietojiet pierces vai piederumus, ko nav ieteicis šī produkta ražotājs. Šādu neapstiprinātu palīgierīču vai piederumu lietošana var radīt nopietnus ievainojumus.

⚠ BRĪDINĀJUMS! Lai izvairītos no smagām traumām, pirms trimmera apkopes, tīrīšanas, papildierīču nomaiņas vai nogrieztā materiāla izņemšanas izņemiet no tā akumulatoru.

Šo izstrādājumu var lietot tālāk norādītajiem mērķiem:

Pļaušana: izmanto zāles pļaušanai ap mietiem vai aizsargjoslām, sienu malām, ceļa apmalēm, žogiem kustīgajā satiksmē vai nezālū izgriešanai stāvvietās.

PIEZĪME! Izmantojot RITUĻU PRESI, pārliecinieties, vai netiek atsviesti svešķermeņi, kas rada bīstamus draudus, piemēr, tie vat zisist logus, sabojāt automašīnas virsbūvi, sagriezt žogu, noraut koku mizu vai izraisīt miesas bojājumus.

AKUMULATORA PIEVIENOŠANA/ATVIENOŠANA (C att.)

Pirms pirmās lietošanas reizes akumulators ir pilnībā jāuzlādē.

Salāgojiet kontaktdakšas ▲ ar iekārtas ▲. Iespraudiet kontaktdakšu elektroinstrumenta kontaktlīdzdā tā, lai vairs nav redzama zaļā atzīme.

Lai atvienotu akumulatoru, vienkārši atvienojiet to no strāvas, pieturot un pavelkot atpakaļ.

INSTRUMENTA IEDARBINĀŠANA/APTURĒŠANA (MODELIM STX3800 UN BCX3800)

Skatiet sadaļu „AUKLAS TRIMMERA/KRŪMGRIEŽA IEDARBINĀŠANA/APTURĒŠANA” STX3800/BCX3800 lietotāja rokasgrāmatā.

INSTRUMENTA LIETOŠANA

⚠ BRĪDINĀJUMS! Lai nepieļautu smagas traumas rašanos lietojot šo instrumentu, vienmēr izmantojiet aizsargbrilles. Putekļainā vidē lietojiet sejas vai putekļu masku.

Pirms katras lietošanas reizes atīriet apstrādājamo vietu. Savāciet akmeņus, stikla lauskas, naglas, vadus vai auklas, kas var tikt izsviestas vai iekļūt griešanas piercē. Nepieļaujiet bērnu, citu personu un mājdzīvnieku atrašanos darba vietā. Sekojiet, lai bērni, citas personas un mājdzīvnieki atrastos vismaz 15 m attālumā; vēl arvien pastāv apdraudējums, ko rada izsviesti objekti. Sekojiet, lai apkārtējie izmantotu acu aizsarglīdzekļus. Ja strādājot kāds jums tuvojas, nekavējoties apturiet motoru un griešanas pierci.

Pirms katras lietošanas reizes pārbaudiet, vai nav bojātu/nodilušu daļu

Pārbaudiet RITUĻU PRESES galvu, aizsargu un cilpveida formas rokturi, un nomainiet detaļas, ja tās ir splaisājušas, savijušas, saliekušas vai bojātas.

⚠ BRĪDINĀJUMS! Uzstādot aizsargu vai nomainot asmeni, vienmēr valkājiet cimdus. Sargieties no asmens un aizsargājiet rokas pret sagriešanos.

Instruments ir jānotīra pēc katras lietošanas reizes.

⚠ UZMANĪBU. Ja ventilācijas atveres būs aizsērējušas, gaiss nevarēs iekļūt motora korpusā un motors pārkarsts vai tiks sabojāts.

- Instrumenta tīrīšanai izmantojiet tikai vieglu ziepjūdeni un mitru lupatīņu. Nekādā gadījumā nepieļaujiet šķidrums iekļūšanu instrumentā; nekad neiegremdējiet šķidrumā nevienu no instrumenta daļām.
- Turiet motora korpusa atveres tīras no gružiem.

LV

APKOPE

⚠ BRĪDINĀJUMS! Veicot ierīces apkopi, izmantojiet tikai identiskas rezerves daļas. Regulāri pārbaudiet instrumentu un veiciet tam apkopi. Lai garantētu drošību un uzticamību, visi remontdarbi jāveic kvalificētam apkopes tehniķim.

⚠ BRĪDINĀJUMS! Ar akumulatoru darbināmiem instrumentiem nav jābūt pievienotiem strāvas avotam, tāpēc tie vienmēr ir gatavi darbam. Lai nepieļautu smagas traumas, apkopes un remontdarbu laikā, kā arī griezējierīces vai citu piederumu maiņas laikā veiciet papildu piesardzības pasākumus un esiet uzmanīgs.

⚠ BRĪDINĀJUMS! Lai izvairītos no smagām traumām, pirms trimmera apkopes, tīrīšanas, papildierīču nomaiņas vai nogriezītā materiāla izņemšanas izņemiet no tā akumulatoru.

RITUĻU PRESE NOMAIŅA

⚠ BRĪDINĀJUMS! Ja asmeņi pēc piestiprināšanas atkal atskrūvējas vai stipri nodilst, tie ir nekavējoties jānomaina. Nekādā gadījumā nelietojiet instrumentu ar atskrūvējušos griešanas pierīci.

Pārziniet D1 attēlā redzamo RITUĻU PRESES galvu.

D-1	Vārpstas uzgalis	D-5	Paplāksne
D-2	Augšējais asmens	D-6	Ritulis
D-3	Apakšējais asmens	D-7	Uzgrieznis
D-4	Atbalsta blodiņa		

1. Atbalstiet RITUĻU PRESES pāresumkārbu pret cietu virsmu. Nostipriniet augšējo un apakšējo asmeni ar knaiblēm vai skrūvspīli, pēc tam ar uzgriežņu atslēgu atskrūvējiet uzgriezni (D2 att.).
2. Noņemiet uzgriezni, rituli, paplāksni, atbalsta blodiņu, apakšējo asmeni, augšējo asmeni un vārpstas uzgali D1 attēlā norādītajā secībā.
3. Pirms jaunu asmeņu uzstādīšanas uzlieciet vārpstai uzgali (D3. att.). Uzlieciet augšējo asmeni ar lielo sešstūra formas caurumu uz vārpstas ar virspusē uzdrukātu „EGO” logotipu vērstu pret pāresumkārbu (D4 att.), pēc tam uzlieciet apakšējo asmeni ar mazo sešstūra formas caurumu uz vārpstas ar virspusē uzdrukātu „EGO” logotipu vērstu pret operatoru (D5. att.).

PIEZĪME! Pārļiecinieties, vai sešstūra formas caurumi uz asmeņiem sakrīt ar sešstūra vārpstas pleca caurumiem. Ja asmeņi būs uzstādīti otrādi, RITUĻU PRESE nevarēs pareizi darboties un sabojās asmeņus.

4. Lai vēlreiz uzstādītu, izpildiet darbības D1 attēlā redzamajā secībā.

PĀRNESUMKĀRBAS ELĻOŠANA

Lai pāresumkārbu kalpotu labāk un ilgāk, elļojiet pāresumkārbu ik pēc 50 ekspluatācijas stundām, izmantojot speciālu smērvielu (katrā reizē 4–5 g).

Speciālajai smērvielai ir jāatbilst turpmāk norādītajām prasībām.

1. Atbilstība DIN51818: konusa iespiešanās pakāpe NLGI-1.
2. Estera bāzes smērviela.
3. Teicama iedarbināšana arī zemā temperatūrā, EP, mehāniskā griešana, izturība pret nodilumu un oksidatīvās stabilitātes pašības.
4. Darba temperatūrai jābūt robežās no -40 °C ~180 °C. Noņemiet blīvējuma skrūvi. Ielejiet pāresumkārbā elļu caur elļošanas caurumu.

⚠ BRĪDINĀJUMS! Neelļojiet instrumentu, kamēr tas ir savienots ar akumulatoru vai darbojas.

INSTRUMENTA TĪRĪŠANA

- Tīriet ierīci ar mitru drānu un maigu mazgāšanas līdzekli.
- Netīriet plastmasas korpusu un rokturi ar kodīgiem tīrīšanas līdzekļiem. Plastmasas daļas var sabojāt ar zināmām aromatizētām elļām, piemēram, priežu un citrona, un šķīdinātājiem, piemēram, petroleju. Elektrotrauma var radīt arī mitrums. Kārtīgi noslaukiet mitrumu ar mikstu, tīru drānu.

INSTRUMENTA UZGLABĀŠANA

- Ja auklas instrumentu neizmantojat, atvienojiet no tā akumulatoru.
- Pirms uzglabāšanas instruments ir kārtīgi jānotīra.
- Uzglabājiet ierīci sausā, labi vēdināmā, aizslēdzamā vai augstā — bērniem nepieejamā — vietā. Neuzglabājiet instrumentu blakus mēslojumam, degvielai vai citām ķīmikālijām.
- Metāla asmeņiem pārvadāšanas un uzglabāšanas laikā ir jāizmanto transportēšanas pārsegs.

Apkārtējās vides aizsardzība



Direktīva par elektrisko un elektronisko iekārtu atkritumiem (EEIA)

Neutilizējiet elektrisko aprīkojumu, izlietoto akumulatoru un lādētāju sadzīves atkritumos! Nogādājiet šo produktu uz pilnvarotu pārstrādes punktu un sagatavojiet atkritumu šķirošanai. Elektriskos instrumentus jānogādā videi nekaitīgā pārstrādes rūpnīcā.

KĻŪDU NOVĒRŠANA

PROBLĒMA	CĒLONIS	RISINĀJUMS
RITUĻU PRESI nevar iedarbināt.	<ul style="list-style-type: none"> ■ Instrumentgalvā nav pareizi ievietots akumulatoru bloks. ■ Akumulatoru bloks ir izlādējies. ■ Vienlaikus nav nospiesta bloķēšanas svira un pārslēdzējs. 	<ul style="list-style-type: none"> ■ Ievietojiet instrumentgalvā akumulatoru bloku. ■ Uzlādējiet akumulatoru bloku ar šajā rokasgrāmatā norādītajiem EGO lādētājiem. ■ Nospiediet bloķēšanas sviru un pieturiet, pēc tam nospiediet pārslēdzēju, lai ieslēgtu instrumentu.
RITUĻU PRESE griešanas laikā apstājas.	<ul style="list-style-type: none"> ■ Motora pārslodze. ■ Akumulators ir pārāk karsts. ■ Akumulatoru bloks ir atvienots no darbarīka 	<ul style="list-style-type: none"> ■ Motors pēc noslogojuma atbrīvošanas atsāks darboties. Lai darbs ritētu raiti, samaziniet RITUĻU PRESEI slodzi un nemēģiniet nopļaut ar pirmo reizi; tā vietā pļaujiet pakāpeniski. ■ Pļaujiet akumulatoram atdzist dabiskā veidā vai arī, lai paātrinātu atdzišanas procesu, izmantojiet gaisa pūšanu. ■ Vēlreiz pieslēdziet akumulatoru bloku.

GARANTIJA

EGO GARANTIJAS POLITIKA

Lūdzu, apmeklējiet tīmekļa vietni egopowerplus.com, kur pieejama pilna EGO garantijas politikas noteikumu un nosacījumu versija.

ΔΙΑΒΑΣΤΕ ΟΛΕΣ ΤΙΣ ΟΔΗΓΙΕΣ!



ΔΙΑΒΑΣΤΕ ΤΟ ΕΓΧΕΙΡΙΔΙΟ ΧΡΗΣΗΣ

⚠ Υπολειπόμενοι κίνδυνοι! Άνθρωποι που φέρουν ηλεκτρονικές συσκευές όπως βηματοδότες πρέπει να συμβουλευτούν τους γιατρούς τους, πριν τη χρήση αυτού του προϊόντος. Η λειτουργία ηλεκτρολογικού εξοπλισμού κοντά σε βηματοδότη μπορεί να προκαλέσει παρεμβολές ή βλάβη στο βηματοδότη.

⚠ ΠΡΟΕΙΔΟΠΟΙΗΣΗ: Προκειμένου να διασφαλιστεί η ασφάλεια και η αξιοπιστία, όλες οι επισκευές και οι αντικαταστάσεις πρέπει να πραγματοποιούνται από εξειδικευμένο τεχνικό σέρβις.

ΣΥΜΒΟΛΟ ΑΣΦΑΛΕΙΑΣ

Ο σκοπός των συμβόλων ασφαλείας είναι να σας επιστήσουν την προσοχή σε ενδεχόμενους κινδύνους. Προσέξτε και κατανοήστε τα σύμβολα ασφαλείας και τις επεξηγήσεις που τα συνοδεύουν. Τα σύμβολα προειδοποίησης από μόνα τους δεν εξαιρούν κανέναν κίνδυνο. Οι οδηγίες και οι προειδοποιήσεις που παρέχουν δεν υποκαθιστούν τα κατάλληλα μέτρα πρόληψης ατυχημάτων.

⚠ ΠΡΟΕΙΔΟΠΟΙΗΣΗ: Βεβαιωθείτε ότι έχετε διαβάσει και κατανοήσει όλες τις οδηγίες ασφαλείας στο παρόν εγχειρίδιο χειριστή, συμπεριλαμβανομένων όλων των συμβόλων ασφαλείας όπως «**ΚΙΝΔΥΝΟΣ**», «**ΠΡΟΕΙΔΟΠΟΙΗΣΗ**» και «**ΠΡΟΣΟΧΗ**», προτού να χρησιμοποιήσετε αυτό το εργαλείο. Η μη τήρηση όλων των παρακάτω οδηγιών μπορεί να οδηγήσει σε ηλεκτροπληξία, πυρκαγιά και/ή σοβαρό τραυματισμό.

GR

ΕΠΕΞΗΓΗΣΗ ΣΥΜΒΟΛΩΝ

⚠ ΣΥΜΒΟΛΟ ΠΡΟΕΙΔΟΠΟΙΗΣΗΣ ΑΣΦΑΛΕΙΑΣ:

Υποδηλώνει **ΚΙΝΔΥΝΟ**, **ΠΡΟΕΙΔΟΠΟΙΗΣΗ** ή **ΠΡΟΦΥΛΑΞΗ**, ενώ μπορεί να χρησιμοποιείται σε συνδυασμό με άλλα σύμβολα ή εικονογράμματα.

⚠ ΠΡΟΕΙΔΟΠΟΙΗΣΗ: Η λειτουργία ηλεκτρικών εργαλείων μπορεί να προκαλέσει την εκτόξευση ξένων αντικειμένων στα μάτια σας, με αποτέλεσμα σοβαρό τραυματισμό. Προτού ξεκινήσετε τη χρήση του ηλεκτρικού εργαλείου, φοράτε πάντα προστατευτικά γυαλιά ή γυαλιά με πλευρική προστασία και, εφόσον απαιτείται, πλήρη προστατευτική προσωπίδα. Συνιστούμε μια προσωπίδα ασφαλείας ευρείας όρασης, για χρήση πάνω από γυαλιά ή τα συνήθη προστατευτικά γυαλιά με πλευρική προστασία.

ΟΔΗΓΙΕΣ ΑΣΦΑΛΕΙΑΣ

Αυτή η σελίδα απεικονίζει και περιγράφει τα σύμβολα ασφαλείας που μπορεί να υπάρχουν επάνω στο προϊόν. Διαβάζετε, κατανοείτε και τηρείτε όλες τις οδηγίες επάνω στη μηχανή, προτού επιχειρήσετε να τη συναρμολογήσετε ή να τη χρησιμοποιήσετε.

	Προειδοποίηση ασφαλείας	Προφυλάξεις που σχετίζονται με την ασφάλειά σας.
	Διαβάστε το εγχειρίδιο χρήσης	Προκειμένου να μειωθεί ο κίνδυνος τραυματισμού, ο χρήστης πρέπει να διαβάσει και να κατανοήσει το εγχειρίδιο χρήσης προτού να χρησιμοποιήσει αυτό το προϊόν.
	Φοράτε προστατευτικά γυαλιά	Φοράτε πάντοτε προστατευτικά γυαλιά ή γυαλιά ασφαλείας με πλευρική προστασία και πλήρη προστατευτική προσωπίδα κατά τη λειτουργία αυτού του προϊόντος.
	Φοράτε προστατευτικά ακοής	Φοράτε πάντα προστασία ακοής όταν χρησιμοποιείτε αυτό το προϊόν.
	Φοράτε προστασία για το κεφάλι	Φοράτε ένα εγκεκριμένο για την ασφάλεια κράνος για την προστασία του κεφαλιού σας.
	Φοράτε προστατευτικά γάντια	Προστατεύετε τα χέρια σας με γάντια κατά το χειρισμό της λεπίδας ή της καλύπτρας της λεπίδας.
	Φοράτε υποδήματα ασφαλείας	Φοράτε αντιολισθητικά υποδήματα ασφαλείας όταν χρησιμοποιείτε αυτό τον εξοπλισμό.
	Προσέχετε την αναπήδηση της λεπίδας	Ο χειριστής πρέπει να έχει πάντα το νου του στον κίνδυνο από την αναπήδηση της λεπίδας.
	Σε περίπτωση εξοστρακισμού, διατηρείτε μακριά τους παρευρισκόμενους	Αντικείμενα που εκτοξεύονται μπορεί να εξοστρακιστούν, προκαλώντας τραυματισμό ή υλικές ζημιές. Εξασφαλίστε ότι άλλα άτομα ή κατοικίδια παραμένουν μακριά από το θερμοκοπτικό, όταν αυτό χρησιμοποιείται.

	Διατηρείτε μακριά τους παρευρισκόμενους	Εξασφαλίστε ότι άλλα άτομα ή κατοικίδια παραμένουν σε απόσταση τουλάχιστον 15 m από το χλοοκοπτικό με μεινέζα όταν αυτό χρησιμοποιείται.
	Η λεπίδα δεν είναι στρογγυλή	Μην εγκαθιστάτε στρογγυλές λεπίδες κοπής.
	ΑΗΗΕ	Τα απόβλητα ηλεκτρικών προϊόντων δεν πρέπει να απορρίπτονται μαζί με τα οικιακά απορρίμματα. Παραδώστε τα σε εξουσιοδοτημένη μονάδα ανακύκλωσης.
	Θόρυβος	Εγγυημένη στάθμη ηχητικής ισχύος. Εκπομπές θορύβου στο περιβάλλον, σύμφωνα με την οδηγία της Ευρωπαϊκής Ένωσης.
	CE	Αυτό το προϊόν συμμορφώνεται με τις εφαρμοστέες οδηγίες της ΕΚ.
V	Volt	Τάση
n_0	Ταχύτητα χωρίς φορτίο	Ταχύτητα περιστροφής, χωρίς φορτίο
min^{-1}	Ανά λεπτό	Στροφές ανά λεπτό
	Συνεχές ρεύμα	Τύπος ή χαρακτηριστικά ρεύματος
kg	Κιλό	Βάρος

ΣΗΜΑΝΤΙΚΕΣ ΟΔΗΓΙΕΣ ΑΣΦΑΛΕΙΑΣ

⚠️ ΠΡΟΕΙΔΟΠΟΙΗΣΗ: Μελετήστε όλες τις προειδοποιήσεις ασφάλειας, τις οδηγίες, τις εικόνες και τις προδιαγραφές που συνοδεύουν αυτό το ηλεκτρικό εργαλείο. Εάν δεν τηρηθούν όλες οι οδηγίες που αναφέρονται παρακάτω, μπορεί να προκληθεί ηλεκτροπληξία, φωτιά και/ή σοβαρός τραυματισμός.

Φυλάξτε όλες τις προειδοποιήσεις και τις οδηγίες για μελλοντική αναφορά.

- Αποφεύγετε τα επικίνδυνα περιβάλλοντα – Μη χρησιμοποιείτε συσκευές σε βρεγμένες ή υγρές πλαγιές.

- Οι καλύπτρες πρέπει να παραμένουν στη θέση τους και σε άρτια κατάσταση λειτουργίας.
- Διατηρείτε πάντοτε τα χέρια και τα πόδια μακριά από την περιοχή κοπής.
- Για μείωση του κινδύνου τραυματισμού, μην εργάζεστε ποτέ επάνω σε σκάλα ή σε οποιαδήποτε άλλη μη ασφαλή υποστήριξη. Μην κρατάτε ποτέ τη μονάδα κοπής πάνω από το ύψος μέσης.
- Ελέγχετε τη μονάδα κοπής ανά τακτά χρονικά διαστήματα, κατά τη λειτουργία ή αμέσως, εάν υπάρχει αισθητή αλλαγή στη συμπεριφορά κοπής.
- Για καλύτερα αποτελέσματα, η μπαταρία σας πρέπει να φορτίζεται σε σημείο όπου η θερμοκρασία κυμαίνεται μεταξύ 5°C και 40°C. Να μην αποθηκεύεται σε εξωτερικό χώρο ή μέσα σε οχήματα.
- Εάν σας προσεγγίσουν, σταματήστε τον κινητήρα και τη μονάδα κοπής.
- Ο χειριστής πρέπει να έχει πάντα το νου του στον κίνδυνο από την αναπήδηση της λεπίδας.
- Η ανάκρουση λεπίδας μπορεί να προκύψει όταν η περιστρεφόμενη λεπίδα έρθει σε επαφή με ένα αντικείμενο που δεν το κόβει αμέσως.
- Η ανάκρουση του δίσκου κοπής μπορεί να είναι τόσο απότομη, ώστε να τινάζει τη μονάδα και/ή το χειριστή προς οποιαδήποτε κατεύθυνση, με κίνδυνο να χαθεί ο έλεγχος της μονάδας.
- Η ανάκρουση του δίσκου κοπής μπορεί να συμβεί απροειδοποίητα, εάν η λεπίδα πάθει εμπλοκή, σβήσει ή κολλήσει.
- Η ανάκρουση του δίσκου κοπής είναι πιθανότερο να συμβεί σε περιοχές όπου δεν διακρίνεται καλά το υλικό που κόβει το μηχανήμα.
- Μην προσαρτάτε λεπίδες σε μια μονάδα χωρίς τη σωστή εγκατάσταση των απαιτούμενων εξαρτημάτων. Εάν δεν χρησιμοποιούνται τα σωστά τα εξαρτήματα μπορεί να προκληθεί εκτόξευση της λεπίδας και σοβαρός τραυματισμός του χειριστή ή/και των παρευρισκόμενων. Απορρίψτε τις λεπίδες που έχουν λυγίσει, στραβώσει, ραγίσει, σπάσει ή καταστραφεί με οποιονδήποτε τρόπο. Χρησιμοποιήστε αιχμηρή λεπίδα. Μια στομωμένη λεπίδα έχει περισσότερες πιθανότητες να σκαλώσει και να αναπηδήσει.
- Μια λεπίδα ή μια μεινέζα που κινείται ελεύθερα μπορεί να προκαλέσει τραυματισμό, όταν συνεχίζει να περιστρέφεται αφού σβήσει ο κινητήρας ή απελευθερωθεί η σκανδάλη. Διατηρείτε τον έλεγχο μέχρι να σταματήσει τελείως η περιστροφή της λεπίδας ή της μεινέζας.

GR

- Τα εργαλεία μπαταρίας δε χρειάζεται να συνδεθούν σε ηλεκτρική πρίζα. Γι' αυτό και βρίσκονται πάντοτε σε κατάσταση λειτουργίας. Προσέχετε πιθανούς κινδύνους ακόμα και όταν το εργαλείο δε λειτουργεί. Προσέχετε όταν πραγματοποιείτε συντήρηση ή σέρβις.
- Να μην πλένεται με λάστιχο. Αποφύγετε την εισχώρηση νερού στον κινητήρα και στις ηλεκτρικές συνδέσεις.
- Εάν προκύψουν καταστάσεις που δεν καλύπτονται στο παρόν εγχειρίδιο, προσέχετε και κρίνετε σωστά. Επικοινωνήστε με το Κέντρο εξυπηρέτησης πελατών της EGO για βοήθεια.

ΦΥΛΑΞΤΕ ΑΥΤΕΣ ΤΙΣ ΟΔΗΓΙΕΣ!

ΤΕΧΝΙΚΕΣ ΠΡΟΔΙΑΓΡΑΦΕΣ

Ταχύτητα χωρίς φορτίο	Έως και 450/λεπτό		
Λεπίδα κοπής	ABR2300		
Προτεινόμενη θερμοκρασία λειτουργίας	0°C-40°C		
Προτεινόμενη θερμοκρασία αποθήκευσης	-20°C-70°C		
Βέλτιστη θερμοκρασία φόρτισης	5°C-40°C		
Βάρος	1,9 kg		
Μετρημένη στάθμη ηχητικής ισχύος L_{WA}	96,1 dB(A) K = 3,8 dB (A)		
Στάθμη ηχητικής πίεσης στο αυτί του χειριστή L_{PA}	83,2 dB(A) K = 2,5 dB(A)		
Εγγυημένη στάθμη ηχητικής ισχύος L_{WA} (μετρημένη κατά 2000/14/EK)	100 dB(A)		
Αξιολόγηση δονήσεων $a_{h,v}$	Μηχανή	Με STX3800	Με BCX3800
	Αριστερή χειρολαβή	0,7 m/s ²	0,6 m/s ²
	Δεξιά χειρολαβή	K = 1,5 m/s ²	K = 1,5 m/s ²

- Η αναφερόμενη συνολική τιμή κραδασμών έχει μετρηθεί σύμφωνα με την πρότυπη μέθοδο ελέγχου και μπορεί να χρησιμοποιηθεί για τη σύγκριση ενός εργαλείου με κάποιο άλλο.

- Η αναφερόμενη συνολική τιμή κραδασμών μπορεί να χρησιμοποιηθεί, επίσης, για την προκαταρκτική αξιολόγηση της έκθεσης.

ΣΗΜΕΙΩΣΗ: Οι εκπομπές κραδασμών κατά τη διάρκεια της πραγματικής χρήσης του ηλεκτρικού εργαλείου μπορεί να διαφέρουν από τη δηλωμένη τιμή στην οποία χρησιμοποιείται το εργαλείο. Για την προστασία του χειριστή, πρέπει να χρησιμοποιούνται γάντια και προστασία της ακοής στις πραγματικές συνθήκες χρήσης.

ΠΕΡΙΓΡΑΦΗ

Γνωρίστε το ROTOCUT (Εικ. Α)

1. Βίδα στεγανοποίησης
2. Κιβώτιο γραναζιών
3. Λεπίδα
4. Θήκη λεπίδας
5. Καλύπτρα
6. Μηχανικό κλειδί
7. Κλειδί άλλεν
8. Χιτώνιο (για χρήση με σωλήνα διαμέτρου 25 mm)

ΚΑΤΑΛΟΓΟΣ ΕΞΑΡΤΗΜΑΤΩΝ ΣΥΣΚΕΥΑΣΙΑΣ

ΟΝΟΜΑ ΕΞΑΡΤΗΜΑΤΟΣ	ΠΟΣΟΤΗΤΑ
ROTOCUT	1
Καλύπτρα	1
Μηχανικό κλειδί	1
Κλειδί άλλεν	1
Χιτώνιο	1
Εγχειρίδιο χρήσης	1

ΣΥΝΑΡΜΟΛΟΓΗΣΗ

▲ ΠΡΟΕΙΔΟΠΟΙΗΣΗ: Σε περίπτωση που κάποια από τα εξαρτήματα έχουν υποστεί ζημιά ή λείπουν, μη χρησιμοποιήσετε το προϊόν, μέχρι να αντικατασταθούν. Η χρήση αυτού του προϊόντος με φθαρμένα ή ελλιπή εξαρτήματα μπορεί να έχει ως αποτέλεσμα σοβαρό τραυματισμό.

▲ ΠΡΟΕΙΔΟΠΟΙΗΣΗ: Μην επιχειρήσετε να τροποποιήσετε αυτό το εργαλείο ή να δημιουργήσετε εξαρτήματα που δεν συνιστώνται για χρήση με αυτή τη μηχανή. Κάθε παρόμοια μετατροπή ή τροποποίηση συνιστά κακή χρήση και μπορεί να δημιουργήσει επικίνδυνες καταστάσεις με επακόλουθο τον σοβαρό τραυματισμό.

GR

⚠ ΠΡΟΕΙΔΟΠΟΙΗΣΗ: Για να εμποδίσετε την τυχαία εκκίνηση που θα μπορούσε να προκαλέσει σοβαρό τραυματισμό, απομακρύνετε πάντα τη συστοιχία συσσωρευτών από το εργαλείο όταν συναρμολογείτε εξαρτήματα.

ΑΝΤΙΚΑΤΑΣΤΑΣΗ ΤΗΣ ΚΕΦΑΛΗΣ ΤΟΥ ΧΛΟΟΚΟΠΤΙΚΟΥ ΜΕ ΚΕΦΑΛΗ ROTOCUT

1. Κρατήστε το θαμνοκοπτικό και χρησιμοποιήστε το κλειδί άλλεν για να αφαιρέσετε την καλύπτρα, την κεφαλή χλοοκοπτικού και το κιβώτιο γραναζιών από τον άξονα οδηγού (Εικ. Β1-Β3). Ο άξονας οδηγού θα χρησιμοποιηθεί αργότερα στη συναρμολόγηση του ROTOCUT.
2. Βγάλτε το ROTOCUT από τη συσκευασία του, ξεβιδώστε τις δυο βίδες 1 και διατηρήστε τις επάνω στην πλάκα σταθεροποίησης. Στη συνέχεια, ξεβιδώστε τη βίδα 2 από την πλάκα σταθεροποίησης. (Εικ. Β4)

B-1	Βίδα 1	B-3	Η πλάκα σταθεροποίησης
B-2	Βίδα 2		

3. Και εισάγετε την κεφαλή ROTOCUT πάνω στον άξονα οδηγού που αφαιρέσατε στο βήμα 1. Βεβαιωθείτε ότι η οπή της βίδας Β-2 είναι ευθυγραμμισμένη με την οπή του άξονα οδηγού (Εικ. Β5).
4. Τοποθετήστε και συσφίξτε πρώτα τη βίδα Β-2 και μετά τις άλλες δυο βίδες Β-1 (Εικ. Β6).
5. Βγάλτε την καλύπτρα ROTOCUT από τη συσκευασία και ξεβιδώστε τις δυο βίδες που υπάρχουν σε αυτή. Αφαιρέστε και φυλάξτε τις δυο βίδες και τις ροδέλες τα γκρόβερ (Εικ. Β7).
6. Σηκώστε την κεφαλή ROTOCUT με κατεύθυνση προς τα κάτω. Ευθυγραμμίστε τις δύο οπές τοποθέτησης στην καλύπτρα με τις δύο οπές τοποθέτησης στην πλάκα σταθεροποίησης του ROTOCUT. Βεβαιωθείτε ότι η κατεύθυνση της καλύπτρας συμφωνεί με την παρακάτω εικόνα, με το τόξο γύρω από τα δόντια κοπής. (Εικ. Β8).
7. Βιδώστε την καλύπτρα με το κλειδί άλλεν.
8. Αφαιρείτε τη θήκη λεπίδας από τη λεπίδα κατά τη διάρκεια της λειτουργίας.

ΛΕΙΤΟΥΡΓΙΑ

⚠ ΠΡΟΕΙΔΟΠΟΙΗΣΗ: Η εξοικείωσή σας με αυτό το προϊόν δε θα πρέπει να σας κάνει λιγότερο προσεκτικούς. Θυμηθείτε πως ένα κλάσμα δευτερολέπτου απροσεξίας μπορεί να προκαλέσει σοβαρό τραυματισμό.

⚠ ΠΡΟΕΙΔΟΠΟΙΗΣΗ: Φοράτε πάντα προστασία για τα μάτια μαζί με προστασία ακοής. Σε αντίθετη περίπτωση, είναι πιθανό να υπάρξει εκτόξευση αντικείμενων στα μάτια σας και άλλοι πιθανοί σοβαροί τραυματισμοί.

⚠ ΠΡΟΕΙΔΟΠΟΙΗΣΗ: Μη χρησιμοποιείτε εξαρτήματα που δε συνιστώνται από τον κατασκευαστή αυτού του προϊόντος. Η χρήση παρελκομένων ή εξαρτημάτων που δε συνιστώνται από τον κατασκευαστή, ενέχει τον κίνδυνο σοβαρού τραυματισμού.

⚠ ΠΡΟΕΙΔΟΠΟΙΗΣΗ: Προκειμένου να αποφευχθεί σοβαρός τραυματισμός, αποσυνδέστε τη συστοιχία μπαταριών από το εργαλείο πριν από τη συντήρηση, τον καθαρισμό, την αλλαγή προσαρτημάτων ή την αφαίρεση υλικού από τη μονάδα.

Μπορείτε να χρησιμοποιήσετε αυτό το προϊόν για τους ακόλουθους σκοπούς:

Κοπή: Χρησιμοποιείται για την κοπή γρασιδιού γύρω από πασσάλους ή προστατευτικά κιγκλιδώματα, κοντά σε τοίχους/τοιχώματα, οδοφράγματα, φράχτες, ή για την κοπή βλάστησης σε χώρους στάθμευσης.

ΣΗΜΕΙΩΣΗ: Κατά τη χρήση του ROTOCUT προσέχετε να μην εκτοξευτούν ξένα αντικείμενα, αφού ενέχουν σοβαροί κίνδυνοι, όπως, θραύση τζαμιών, δημιουργία βαθουλιωμάτων σε αμαξώματα, καταστροφή φραχτών, αποκόλληση φλοιού δέντρων και τραυματισμοί.

ΣΥΝΔΕΣΗ/ΑΠΟΣΥΝΔΕΣΗ ΡΕΥΜΑΤΟΣ ΜΠΑΤΑΡΙΑΣ (Εικ. C)

Φορτίστε πλήρως πριν από την πρώτη χρήση.

Ευθυγραμμίστε το σύμβολο **▲** τους φις με το σύμβολο **▲** της μηχανής. Τοποθετήστε το βύσμα στο εργαλείο, μέχρι να χαθεί πλήρως η πράσινη τσιμούχα μέσα στην υποδοχή.

Για την αποσύνδεση της μπαταρίας, απλά κρατήστε την και τραβήξτε την προς τα πίσω.

ΕΝΕΡΓΟΠΟΙΗΣΗ/ΑΠΕΝΕΡΓΟΠΟΙΗΣΗ ΤΟΥ ΕΡΓΑΛΕΙΟΥ (ΓΙΑ STX3800 & BCX3800)

Βλ. Ενότητα «ΕΝΕΡΓΟΠΟΙΗΣΗ/ΑΠΕΝΕΡΓΟΠΟΙΗΣΗ ΤΟΥ ΧΛΟΟΚΟΠΤΙΚΟΥ ΜΕ ΜΕΣΙΝΕΖΑ / ΘΑΜΝΟΚΟΠΤΙΚΟΥ» στο εγχειρίδιο χρήσης STX3800/BCX3800.

ΧΡΗΣΗ ΤΟΥ ΕΡΓΑΛΕΙΟΥ

⚠ ΠΡΟΕΙΔΟΠΟΙΗΣΗ: Για την αποφυγή σοβαρού τραυματισμού, φοράτε πάντοτε προστατευτικά γυαλιά ή γυαλιά προστασίας κατά τη χρήση της μονάδας. Φοράτε μάσκα προσώπου ή προστασίας από σκόνη σε τοποθεσίες με σκόνη.

Καθαρίζετε την περιοχή κοπής πριν από κάθε χρήση. Απομακρύνετε όλα τα αντικείμενα, όπως πέτρες, σπασμένα γυαλιά, καρφιά, σύρματα ή μεσινέζες, τα οποία μπορεί να πεταχτούν ή να μπερδευτούν στο προσάρτημα κοπής. Απομακρύνετε παιδιά, παρευρισκόμενους και κατοικίδια από το χώρο. Τα παιδιά, οι παρευρισκόμενοι και τα κατοικίδια πρέπει να βρίσκονται σε απόσταση τουλάχιστον 15 m. Ενδέχεται να εξακολουθεί να υπάρχει κίνδυνος για τους παρευρισκόμενους λόγω εκτοξευόμενων αντικειμένων. Ενθαρρύνετε τους παρευρισκόμενους να φορούν προστασία για τα μάτια. Εάν σας προσεγγίσει κάποιος, απενεργοποιήστε αμέσως τον κινητήρα και το προσάρτημα κοπής.

Πριν από κάθε χρήση, ελέγχετε για τυχόν εξαρτήματα με ζημιές/φθορές

Ελέγχετε την κεφαλή ROTOCUT, την καλύπτρα και τη στρόγγυλη λαβή και αντικαθιστάτε τα εξαρτήματα που έχουν ρωγμές, παραμόρφωση, λυγίσματα ή οποιοσδήποτε ζημιές.

⚠️ ΠΡΟΕΙΔΟΠΟΙΗΣΗ: Φοράτε πάντα γάντια κατά την τοποθέτηση του προστατευτικού ή το σέρβις της λεπίδας. Προσέχετε τη λεπίδα και προστατεύετε το χέρι σας από κοπή.

Μετά από κάθε χρήση, καθαρίζετε το εργαλείο.

⚠️ ΠΡΟΣΟΧΗ: Τα εμπόδια στις οπές εμποδίζουν ροή του αέρα στο περιβλήμα κινητήρα και προκαλούν υπερθέρμανση ή τη ζημιά σε αυτόν.

- Χρησιμοποιείτε μόνο ήπιου σαπουνιού και ένα νωπό πανί για τον καθαρισμό του εργαλείου. Δεν πρέπει να εισχωρήσουν υγρά στο εσωτερικό του εργαλείου. Μη βυθίζετε ποτέ οποιοδήποτε τμήμα του εργαλείου σε υγρά.
- Διατηρείτε πάντοτε τις οπές αερισμού στο περιβλήμα κινητήρα και τον άξονα ελεύθερα από υπολείμματα.

GR

ΣΥΝΤΗΡΗΣΗ

⚠️ ΠΡΟΕΙΔΟΠΟΙΗΣΗ: Κατά τη συντήρηση του εργαλείου, χρησιμοποιείτε μόνο όμοια ανταλλακτικά. Επιθεωρείτε και συντηρείτε τακτικά το εργαλείο. Για να διασφαλιστεί η ασφάλεια και η αξιοπιστία, όλες οι επισκευές πρέπει να διεξάγονται από εξειδικευμένο τεχνικό σέρβις.

⚠️ ΠΡΟΕΙΔΟΠΟΙΗΣΗ: Τα εργαλεία μπαταρίας δε χρειάζεται να συνδεθούν σε ηλεκτρική πρίζα. Γι' αυτό και βρίσκονται πάντοτε σε κατάσταση λειτουργίας. Προκειμένου να αποφευχθεί σοβαρός τραυματισμός, λαμβάνετε επιπρόσθετα προληπτικά μέτρα και προσέχετε όταν διεξάγετε συντήρηση, επισκευή ή όταν αλλάζετε προσάρτημα κοπής ή άλλα προσάρτηματα.

⚠️ ΠΡΟΕΙΔΟΠΟΙΗΣΗ: Προκειμένου να αποφευχθεί σοβαρός τραυματισμός, αποσυνδέστε τη συστοιχία μπαταριών από το εργαλείο πριν από τη συντήρηση, τον καθαρισμό, την αλλαγή επιπρόσθετων προσαρτημάτων ή την αφαίρεση υλικού από τη μονάδα.

ΑΝΤΙΚΑΤΑΣΤΑΣΗ ΛΕΠΙΔΑΣ ROTOCUT

⚠️ ΠΡΟΕΙΔΟΠΟΙΗΣΗ: Σε περίπτωση που χαλαρώσουν οι λεπίδες αφού τοποθετηθούν στη θέση τους ή έχουν φθαρεί υπερβολικά, αντικαταστήστε αμέσως τις λεπίδες. Ποτέ μη χρησιμοποιείτε εργαλείο με λασκαρισμένο ή μη αποτελεσματικό προσάρτημα κοπής.

Γνωρίστε την κεφαλή ROTOCUT, σύμφωνα με την Εικ. D1.

D-1	Καπάκι άξονα	D-5	Ροδέλα
D-2	Επάνω λεπίδα	D-6	Λεκάνη ολίσθησης
D-3	Κάτω λεπίδα	D-7	Παξιμάδι
D-4	Καπάκι βάσης		

1. Τοποθετήστε το κιβώτιο γραναζιών της κεφαλής ROTOCUT σε γερή επιφάνεια. Συσφίξτε τις επάνω και κάτω λεπίδες με πένσα ή μέγγενη και, στη συνέχεια, χρησιμοποιήστε το κλειδί για να ξεβιδώσετε το παξιμάδι (Εικ. D2).
2. Αφαιρέστε το παξιμάδι, τη λεκάνη ολίσθησης, τη ροδέλα, την κάτω λεπίδα, την επάνω λεπίδα και το καπάκι άξονα με την εικονιζόμενη στην Εικ. D1 σειρά.
3. Πριν από την εγκατάσταση νέων λεπίδων, τοποθετείτε το καπάκι άξονα επάνω σε αυτόν (Εικ. D3). Τοποθετήστε την επάνω λεπίδα με τη μεγάλη εξαγωνική οπή επάνω στον άξονα με το λογότυπο «EGO» και κατεύθυνση το κιβώτιο γραναζιών (Εικ. D4). Στη συνέχεια, την κάτω λεπίδα με τη μικρή εξαγωνική οπή επάνω στον άξονα με το λογότυπο «EGO» και κατεύθυνση το χειριστή (Εικ. D5).

ΣΗΜΕΙΩΣΗ: Βεβαιωθείτε ότι οι εξαγωνικές οπές επάνω στις λεπίδες εφαρμόζουν σωστά στον εξαγωνικό άξονα. Στην αντίθετη περίπτωση, εάν τοποθετηθούν αντίθετα οι λεπίδες, το ROTOCUT δε θα λειτουργήσει σωστά και θα καταστραφούν οι λεπίδες.

4. Ακολουθήστε τη σειρά της Εικ. D1 για να τις συναρμολογήσετε εκ νέου.

ΛΙΠΑΝΣΗ ΚΙΒΩΤΙΟΥ ΓΡΑΝΑΖΙΩΝ

Για καλύτερη λειτουργία και μεγαλύτερη διάρκεια ζωής, λιπαίνετε το κιβώτιο γραναζιών με ειδικό γράσο (4-5 g τη φορά) ανά 50 λεπτά χρήσης.

Το ειδικό γράσο πρέπει να ανταποκρίνεται στις εξής απαιτήσεις.

1. Ανήκει σε DIN51818: Βαθμός διεύθυνσης κώνου NLGI-1
2. Γράσο με βάση εστέρα.
3. Άριστη εκκίνηση χαμηλής θερμοκρασίας, EP, μηχανικό κούρεμα, αντίσταση σε λείανση και αντιδιαβρωτικές ιδιότητες.
4. Θερμοκρασία λειτουργίας μεταξύ -40°C ~ 180°C . Αφαιρέστε τη βίδα στεγανοποίησης. Συμπληρώστε γράσο στο κιβώτιο γραναζιών μέσω της οπής λίπανσης.

⚠ ΠΡΟΕΙΔΟΠΟΙΗΣΗ: Μη λιπαίνεται ενόσω το εργαλείο εξακολουθεί να λειτουργεί ή βρίσκεται συνδεδεμένο στην μπαταρία.

ΚΑΘΑΡΙΣΜΟΣ ΤΗΣ ΜΟΝΑΔΑΣ

- Καθαρίζετε τη μονάδα, χρησιμοποιώντας ένα νωπό πανί με ήπιο απορρυπαντικό.
- Μη χρησιμοποιήσετε κανένα δραστικό απορρυπαντικό πάνω στο πλαστικό περίβλημα ή τη λαβή. Αυτά μπορούν να καταστραφούν από ορισμένα αρωματικά έλαια, όπως πεύκο και λεμόνι, καθώς και από διαλύτες, όπως η κηροζίνη. Η υγρασία μπορεί, επίσης, να προκαλέσει κίνδυνο ηλεκτροπληξίας. Σκουπίζετε την ενδεχόμενη υγρασία με ένα μαλακό στεγνό πανί.

ΑΠΟΘΗΚΕΥΣΗ ΤΗΣ ΜΟΝΑΔΑΣ

- Απομακρύνετε τη συστοιχία μπαταριών από το εργαλείο όταν αυτό δε χρησιμοποιείται.
- Καθαρίστε σχολαστικά το εργαλείο προτού το αποθηκεύσετε.
- Αποθηκεύετε τη μονάδα σε έναν στεγνό, καλά αεριζόμενο χώρο, κλειδωμένο ή σε ψηλό σημείο, εκτός εμβέλειας παιδιών. Μην αποθηκεύετε τη μονάδα επάνω ή δίπλα σε λιπάσματα, βενζίνη ή άλλες χημικές ουσίες.
- Κατά τη διάρκεια της μεταφοράς και αποθήκευσης, χρησιμοποιήστε κάλυμμα μεταφοράς για τις μεταλλικές λεπίδες.

Προστασία του περιβάλλοντος



ΑΗΗΕ (Απόβλητα ειδών ηλεκτρικού και ηλεκτρονικού εξοπλισμού)

Μη απορρίπτετε ηλεκτρικό εξοπλισμό, παλιές μπαταρίες και φορτιστές στα οικιακά απορρίμματα! Μεταφέρετε αυτό το προϊόν σε εξουσιοδοτημένο κέντρο ανακύκλωσης και παραδώστε το για ξεχωριστή συλλογή. Τα ηλεκτρικά εργαλεία πρέπει να επιστρέφονται σε περιβαλλοντικά συμβατή μονάδα ανακύκλωσης.

ΑΝΤΙΜΕΤΩΠΙΣΗ ΠΡΟΒΛΗΜΑΤΩΝ

ΠΡΟΒΛΗΜΑ	ΑΙΤΙΑ	ΑΝΤΙΜΕΤΩΠΙΣΗ
Το ROTOCUT δεν εκκινείται.	<ul style="list-style-type: none"> ■ Η συστοιχία μπαταριών δεν έχει προσαρτηθεί σωστά στην ηλεκτρική κεφαλή. ■ Η συστοιχία μπαταριών έχει αδειάσει. ■ Ο μοχλός ασφάλισης και η σκανδάλη δεν πατήθηκαν ταυτόχρονα. 	<ul style="list-style-type: none"> ■ Επανασυνδέστε τη συστοιχία μπαταριών στην ηλεκτρική κεφαλή. ■ Φορτίζετε τη συστοιχία μπαταριών με τους φορτιστές EGO που παρατίθενται στο παρόν εγχειρίδιο. ■ Πατήστε το μοχλό απασφάλισης και διατηρήστε το πιεσμένο. Στη συνέχεια, πιέστε τη σκανδάλη για να ενεργοποιήσετε το εργαλείο.
Το ROTOCUT σταματάει κατά την κοπή.	<ul style="list-style-type: none"> ■ Ο κινητήρας έχει υπερφορτωθεί. ■ Η συστοιχία μπαταριών είναι υπερβολικά ζεστή. ■ Η συστοιχία μπαταριών έχει αποσυνδεθεί από το εργαλείο. 	<ul style="list-style-type: none"> ■ Ο κινητήρας θα συνεχίσει να λειτουργεί μόλις αφαιρεθεί το φορτίο. Σε περίπτωση συνεχούς εργασίας, μειώστε το φορτίο του ROTOCUT και αποφύγετε τις βαθιές κοπές. Αντίθετα, πραγματοποιείτε σταδιακά βαθύτερες κοπές. ■ Αφήστε την μπαταρία να κρυώσει με φυσικό τρόπο ή επισπεύστε την ψύξη με τη βοήθεια ανεμιστήρα. ■ Επανασυνδέστε τη συστοιχία μπαταριών.

ΕΓΓΥΗΣΗ

ΠΟΛΙΤΙΚΗ ΕΓΓΥΗΣΗΣ EGO

Επισκεφθείτε την ιστοσελίδα egopowerplus.com για όλους τους όρους και τις προϋποθέσεις της πολιτικής εγγύησης EGO.

GR

TÜM TALİMATLARI OKUYUN!



KULLANIM KILAVUZUNU OKUYUN

⚠️ Artık risk! Kalp pili gibi elektronik cihaz kullanan kişiler bu ürünü kullanmadan önce hekimlerine danışmalıdır. Elektrikli cihazların, kalp pili yakınında çalıştırılması kalp pilinde parazite veya arızaya neden olabilir.

⚠️ UYARI: Güvenliği ve güvenilirliği sağlamak için, tüm onarım ve değiştirme işlemleri yetkili bir servis teknisyeni tarafından gerçekleştirilmelidir.

GÜVENLİK SEMBOLÜ

Güvenlik sembollerinin amacı olası tehlikelere dikkatinizi çekmektir. Güvenlik sembolleri ve yanlarındaki açıklamalar özel dikkat ve anlayış göstermenizi gerektirir. Uyarı sembolleri kendi başlarına herhangi bir tehlikeyi gidermez. Sundukları talimat ve uyarılar uygun kaza önleme önlemlerinin yerine geçmez.

⚠️ UYARI: Bu aleti kullanmadan önce, “TEHLİKE”, “UYARI” ve “DİKKAT” gibi tüm güvenlik uyarı ve sembollerini içeren bu Kullanım Kılavuzu içerisindeki tüm güvenlik talimatlarını okuyup anladığınızdan emin olun. Aşağıdaki talimatların tamamına uyulmaması elektrik çarpması, yangın ve/veya ciddi kişisel yaralanma ile sonuçlanabilir.

SEMBOLÜN ANLAMI

⚠️ GÜVENLİK UYARI SEMBOLÜ: TEHLİKE, UYARI VEYA DİKKAT demektir, diğer semboller veya resimlerle birlikte kullanılabilir.

⚠️ UYARI: Elektrikli aletlerin kullanımı yabancı nesnelerin gözlerinize fırlatılması sonucunu doğurabilir, bu da gözlerde ciddi hasara yol açabilir. Elektrikli aleti kullanmaya başlamadan önce, daima göz koruması veya yan siperleri olan koruyucu gözlük takın ve gerektiğinde tam yüz siperi kullanın. Gözlük üzerine kullanım için Wide Vision Koruyucu Maske ya da yan siperleri olan standart koruyucu gözlükleri tavsiye ederiz.

GÜVENLİK TALİMATLARI

Bu sayfada, bu ürün üzerinde görülebilecek güvenlik sembolleri gösterilmekte ve açıklanmaktadır. Makineyi monte etmeye ve kullanmaya başlamadan önce, makineye ilişkin tüm talimatları okuyup anlayın ve bu talimatlara uyun.

	Güvenlik Uyarısı	Güvenliğinizle ilgili önlemler.
	Kullanma Kılavuzunu Okuyun	Yaralanma riskini azaltmak için, kullanıcı bu ürünü kullanmadan önce kullanım kılavuzunu okuyup anlamalıdır.
	Koruyucu Gözlük Takın	Bu ürünü çalıştırırken daima göz koruması, yan siperleri olan koruyucu gözlük ya da tam yüz maskesi kullanın.
	Kulak Koruması Takın	Bu ürünü kullanırken daima kulak koruması kullanın.
	Koruyucu Kask Takın	Başınızı korumak için onaylanmış bir kask takın.
	Koruyucu Eldiven Takın	Bıçağa veya bıçak muhafazasına dokunurken eldiven giyerek ellerinizi koruyun.
	Koruyucu Ayakkabı Giyin	Bu cihazı kullanırken kaymaz emniyet ayakkabıları giyin.
	Bıçağın kuvvetle itilmesine karşı dikkatli olun	Operatörü tırpan bıçağının oluşturacağı tehlikeye karşı uyarın.
	Sekebilir, İzleyenleri Uzak Tutun	Fırlayan nesnelere sekebilir ve kişisel yaralanma veya mal hasarına yol açabilir. Fırçalı kesici kullanırken diğer insanların ve evcil hayvanların en az 15m uzakta olduklarından emin olun.
	Üçüncü Şahısları Uzak Tutun	Misinalı çim biçme makinesi kullanılırken diğer insanların ve evcil hayvanların en az 15m uzakta olduklarından emin olun.
	Yuvarlak bıçak yok	Yuvarlak kesim bıçağı takmayın.

TR

	WEEE	Atık elektrikli ürünler, evsel atıklar ile birlikte imha edilmemelidir. Yetkili bir geri dönüşüm merkezine teslim edilmelidir.
	Gürültü	Garanti edilen ses gücü seviyesi. Avrupa Birliği Yönetmeliği'ne göre çevre gürültü emisyonu.
	CE	Bu ürün, yürürlükteki AB yönetmeliklerine uygundur.
V	Volt	Voltaj
n ₀	Yüksüz Hız	Yüksüz dönüş hızı
min ⁻¹	Dakika Başına	Dakika başına dönüş
	Doğru Akım	Akımın türü veya özelliği
kg	Kilogram	Ağırlık

ÖNEMLİ GÜVENLİK TALİMATLARI

⚠ UYARI: Bu elektrikli alet ile birlikte verilen tüm güvenlik uyarılarını, talimatları, çizimleri ve teknik özellikleri okuyun. Aşağıdaki talimatların tamamına uyulmaması elektrik çarpması, yangın ve/veya ciddi yaralanma ile sonuçlanabilir.

Tüm uyarı ve talimatları gelecekte başvuru amacıyla muhafaza edin.

- **Tehlikeli Ortamlardan Kaçının** – Cihazları nemli veya ıslak yerlerde kullanmayın.
- **Koruyucu donanımın yerinde ve çalışır durumda olmasını sağlayın.**
- **Ellerinizi ve ayaklarınızı kesim alanından uzak tutun.**
- **Yaralanma riskini azaltmak için, asla merdiven üzerinde ya da diğer herhangi bir güvenli olmayan destek üzerinde çalışmayın. Asla kesme ünitesini bel yüksekliğinin üzerinde tutmayın.**
- **Çalışma sırasında, kesme ünitesini kısa aralıklarla düzenli olarak kontrol edin veya kesim işleminde gözle görülür bir değişim varsa derhal kontrol edin.**
- **En iyi sonuçlar için, pil sıcaklığın 5°C'nin üzerinde ve 40°C'nin altında olduğu bir ortamda şarj edilmelidir. Dışarıda veya araçlarda depolamayın.**
- **Çalışırken yanınıza yaklaşan kimselerin olması durumunda motoru ve kesme ünitesini durdurun.**

- **Operatörü tirpan bıçağının oluşturacağı tehlikeye karşı uyarın.**
- Bıçağın kuvvetle itilmesi, döner bıçağın hemen kesmediği bir nesneyle temas etmesi durumunda meydana gelebilir.
- Bıçağın kuvvetle itilmesi, cihazın ve/veya operatörün herhangi bir yönde itilerek cihaz kontrolünün kaybedileceği şiddette olabilir.
- Bıçak takılır, durur veya dönmesi engellenirse uyarı olmaksızın bıçak itişi meydana gelebilir.
- Bıçağın kuvvetle itilmesi olayı, kesilen malzemeyi görmenin zor olduğu bölgelerde daha çok olabilir.
- **Gerekli tüm parçaları düzgün bir şekilde monte etmeden makineye herhangi bir bıçak takmayın. Uygun parçaların kullanılmaması, bıçağın çıkarak fırlamasına ve operatörün ve/veya üçüncü şahısları ciddi şekilde yaralanmasına neden olabilir. Kıvrılmış, bükülmüş, çatlak, kırık veya herhangi bir şekilde hasar görmüş bıçakları atın. Keskin bir bıçak kullanın. Kötür bir bıçağın takım ve itilme olasılığı daha fazladır.**
- **Boşta dönen bir bıçak/misina, motor durdurulduktan veya tetik bırakıldıktan sonra dönmeye devam ettiğinden yaralanmalara neden olabilir. Bıçak/misina tamamen duruncaya kadar cihazın kontrolünü bırakmayın.**
- **Aküyle çalışan aletlerin elektrik prizine takılmalarına gerek yoktur; bu nedenle daima çalışır durumdadırlar. Alet kullanılmadığı zaman dahi oluşabilecek muhtemel tehlikelere karşı dikkatli olun. Bakım veya onarım işlemi yaparken dikkatli olun.**
- **Hortumla yıkamayın; motor ve elektrik bağlantılarına su kaçırılmaya dikkat edin.**
- **Bu kılavuzda yer almayan durumlar meydana gelirse, dikkatli ve sağduyulu davranın. Yardım için EGO Müşteri Hizmetleri Merkeziyle irtibata geçin.**

BU TALİMATLARI SAKLAYIN!

TEKNİK ÖZELLİKLER

Yüksüz Hız	450/dak.'ya kadar
Kesme Bıçağı	ABR2300
Tavsiye Edilen Çalışma Sıcaklığı	0°C-40°C
Tavsiye Edilen Depolama Sıcaklığı	-20°C-70°C
Optimum Şarj Sıcaklığı	5°C-40°C
Ağırlık	1,9 kg

Ölçülen ses güç düzeyi L_{WA}	96,1 dB(A) K = 3,8 dB (A)		
Operatörün duyduğu ses güç düzeyi L_{PA}	83,2 dB(A) K = 2,5 dB(A)		
Garantili ses gücü seviyesi L_{WA} (2000/14/EC'ye göre ölçülen)	100 dB(A)		
Titreşim değeri a_{tr} :	Makine	STX3800 ile	BCX3800 ile
	Sol tutma sapı	0,7 m/sn ²	0,6 m/sn ²
	Sağ tutma sapı	K = 1,5 m/sn ²	K = 1,5 m/sn ²

- Bildirilen toplam titreşim değeri standart test yöntemine uygun olarak ölçülmüştür ve bir cihazı diğer bir cihaz ile karşılaştırmak için kullanılabilir.
- Bildirilen toplam titreşim değeri ayrıca ön maruz kalma değerlendirmesinde de kullanılabilir.

DİKKAT: Elektrikli aletin gerçek kullanımı sırasında meydana gelen titreşim emisyonu aletin kullanım şekline bağlı olarak bildirilen değerden farklı olabilir; Operatörü korumak için, kullanıcı gerçek kullanım koşullarında eldiven ve kulak koruması takmalıdır.

AÇIKLAMA

KENAR DÜZELTME APARATINIZI TANIYIN (Şek. A)

1. Conta Vidası
2. Dişli Kutusu
3. Bıçak
4. Bıçak kılıfı
5. Koruyucu donanım
6. Anahtar
7. Alyen Anahtarı
8. Burç (25mm çapındaki boru ile kullanım için)

PAKET LİSTESİ

PARÇA AADI	MİKTAR
KENAR DÜZELTME APARATI	1
Koruyucu donanım	1
Anahtar	1
Alyen Anahtarı	1
Burç	1
Kullanma Kılavuzu	1

MONTAJ

⚠ UYARI: Hasarlı veya eksik parça varsa, bu parçalar değiştirilinceye kadar ürünü çalıştırmayın. Bu ürünün hasarlı veya eksik parçalar ile kullanılması ciddi kişisel yaralanmalara yol açabilir.

⚠ UYARI: Bu ürün üzerinde değişiklik yapmaya veya bu üfleyici ile kullanılması önerilmeyen aksesuarlar oluşturmaya çalışmayın. Bu tür değişiklikler veya modifikasyonlar hatalı kullanımdır ve ciddi kişisel yaralanmalara neden olabilen tehlikeli bir duruma sebep olabilir.

⚠ UYARI: Ciddi kişisel yaralanmalara neden olabilen yanlışlıkla çalışmayı önlemek için, parçaları monte ederken akü bağlantı parçasını mutlaka soketten çıkarın.

ÇİM BİÇME MAKİNESİ BAŞLIĞINI KENAR DÜZELTME APARATI İLE DEĞİŞTİRİN

1. Misinalı çim biçme makinenizi/fırçalı kesicinizi tutun ve biçme makinesinin korumasını, kafasını ve dişli kutusunu tahrik şaftından çıkarmak için alyen anahtarını kullanın (Şek. B1-B3). Tahrik şaftı daha sonra KENAR DÜZELTME APARATININ birleştirilmesi için kullanılacaktır.
2. KENAR DÜZELTME APARATINI paketinden çıkarın, iki Vida 1#'i gevşetin ve sabitleme plakasında tutun, sabitleme plakasından Vida 2#'yi gevşetin ve çıkarın. (Şek. B4)

B-1	Vida 1#	B-3	Sabitleme plakası
B-2	Vida 2#		

3. Ardından KENAR DÜZELTME APARATI KAFASINI adım 1'de çıkarılan tahrik şaftına takın, B-2 vidasının deliğinin tahrik şaftındaki delikle hizalı olduğundan emin olun (Şek. B5).
4. Önce B-2 vidasını takın ve sıkın, ardından B-1'in iki vidasını sıkın (Şek. B6).
5. KENAR DÜZELTME APARATININ korumasını paketinden çıkarın ve korumadaki iki civatayı gevşetin. İki civatayı ve yaylı rondelaları korumadan çıkarın ve saklayın (Şek. B7).
6. KENAR DÜZELTME APARATININ kafasını kaldırın ve aşağı doğru çevirin; koruyucu üzerindeki iki montaj deliğini KENAR DÜZELTME APARATININ sabitleme plakasındaki iki montaj deliği ile hizalayın. Koruma yönünün aşağıdaki resimdeki gibi, kesme dişlerinin etrafındaki ark şekli korunacak şekilde olduğundan emin olun. (Şek. B8).

TR

7. Korumayı yerine kilitlemek için bir alyen anahtarı kullanın.
8. Çalışma esnasında bıçağın kılıfını bıçaktan çıkarın.

ÇALIŞMA

⚠ UYARI: Ürüne aşına olmanız sizi dikkatsiz yapmasın. Bir anlık dikkatsizliğin ciddi yaralanmalara sebep olabileceğini unutmayın.

⚠ UYARI: Daima göz koruması ve kulak koruması kullanın. Böyle yapılmaması sonucu gözlerinize fırlayan nesnelere ciddi kişisel yaralanmalara neden olabilir.

⚠ UYARI: Bu ürünün üreticisi tarafından tavsiye edilmeyen herhangi bir ataşmanı veya aksesuarı kullanmayın. Tavsiye edilmeyen aksesuarların veya ataşmanların kullanımı ciddi kişisel yaralanmalara sebep olabilir.

⚠ UYARI: Ciddi kişisel yaralanmaları önlemek için, aksesuarlara bakım veya onarım, temizlik, değişim yapmadan veya makineden malzeme çıkarmadan önce akünün bağlantısını kesin.

Bu ürünü aşağıda listelenen amaçlar için kullanabilirsiniz:

Kesme: kazıkların veya korkulukların, duvar kenarlarının, kaldırım taşlarının, trafikteki çitlerin etrafındaki çitleri kesmek için veya park yerlerindeki bitileri budamak için kullanılır.

DİKKAT: KENAR DÜZELTME APARATINI kullanırken yabancı nesnelere fırlatılmadığından emin olun, bu şu riskleri taşır: pencerelerin kırılması, araç gövdelerinin hasar görmesi, çitlerin kesilmesi, ağaç kabuklarının sıyrılması veya kişisel yaralanma.

AKÜNÜN BAĞLANMASI/ÇIKARILMASI (Şek. C)

İlk kullanımdan önce tamamen şarj edin.

Fişi ▲ işareti ile makinenin ▲ işaretini hizalayın. Fişi alete yeşil conta soketin içinde tamamen kayboluncaya kadar itin.

Akü bağlantısını kesmek için tutup geri çekerek çıkarın.

ALETİ ÇALIŞTIRMA/DURDURMA (STX3800 ve BCX3800 için)

Bkz. STX3800/BCX3800 kullanıcı kılavuzundaki "MİSİNALI ÇİM BİÇME MAKİNESİ/FIRÇALI KESİCİYİ BAŞLATMA/DURDURMA" bölümü.

ALETİN KULLANILMASI

⚠ UYARI: Ciddi kişisel yaralanmayı önlemek için, bu cihazı kullanırken daima göz koruması veya koruyucu gözlük takın. Çalışma ortamı tozluysa, yüz veya toz maskesi takın.

Her kullanımdan önce kesilecek alanı temizleyin. Kesim parçalarına takılabilecek veya fırlatılabilecek taş, kırık cam, çivi, tel veya sicim vb. tüm nesnelere temizleyin. Çocukları, üçüncü şahısları ve evcil hayvanları çalışma alanından uzak tutun. Çocukları, üçüncü şahısları ve evcil hayvanları çalışma alanından en az 15 metre uzak tutun; buna rağmen üçüncü şahısların fırlayan nesnelere yaralanma riski olabilir. Üçüncü şahısların göz koruması kullanmaları önerilir. Çalışırken yanınıza yaklaşan kimselerin olması durumunda derhal motoru ve kesici parçaları durdurun.

Her kullanımdan önce hasarlı/aşınmış parça olup olmadığını kontrol edin

KENAR DÜZELTME APARATI başlığını, koruyucuyu ve halka kolunu kontrol edin, çatlak, kırılmış, eğik veya hasarlı kesim parçalarını değiştirin.

⚠ UYARI: Bıçaklara bakım yaparken veya muhafazayı monte ederken daima eldiven takın. Bıçağa ve elinizin kesilmemesine dikkat edin.

Her kullanımın ardından, aleti temizleyin.

⚠ DİKKAT: Hava deliklerindeki tıkanıklıklar motor gövdesindeki hava akımını engelleyerek aşırı ısınmaya ve motor hasarına neden olabilir.

- Aleti temizlemek için sadece nemli bir bez ve yumuşak bir temizleyici kullanın. Asla cihaza su girmesine izin vermeyin; aletin herhangi bir parçasını sıvıya daldırmayın.
- Motor gövdesindeki hava deliklerinin her zaman temiz kalmasını sağlayın.

BAKIM

⚠ UYARI: Bakım yaparken sadece aynı olan yedek parçaları kullanın. Aleti düzenli olarak kontrol edin ve bakımını yapın. Emniyet ve güvenilirliği sağlamak için tüm tamir işleri uzman bir servis teknisyeni tarafından yapılmalıdır.

⚠ UYARI: Aküyle çalışan aletlerin elektrik prizine takılmalarına gerek yoktur; bu nedenle daima çalışır durumdadırlar. Ciddi kişisel yaralanmayı önlemek için, kesim parçaları veya diğer parçalara bakım veya onarım yaparken veya değişim sırasında ekstra önlemler alın ve dikkatli olun.

⚠ UYARI: Ciddi kişisel yaralanmaları önlemek için, eklenti parçalara bakım veya onarım, temizlik, değişim yapmadan veya üniteden malzeme çıkarmadan önce aküyü aletten çıkarın.

KENAR DÜZELTME APARATININ BIÇAĞININ DEĞİŞTİRİLMESİ

⚠ UYARI: Eğer bıçaklar sabit pozisyona alındıktan sonra gevşerlerse veya bıçaklar çok kötü derecede aşınmışsa bıçakları hemen değiştirin. Asla aleti etkin olmayan veya gevşek bir kesim parçasıyla kullanmayın.

Şek. D1'de gösterildiği gibi KENAR DÜZELTME APARATI-NIN kafasını tanıyın.

D-1	Şaft Kabı	D-5	Rondela
D-2	Üst Bıçak	D-6	Akış Kasesi
D-3	Alt Bıçak	D-7	Somun
D-4	Destek Kabı		

1. KENAR DÜZELTME APARATININ kafasının dışı kutusunu destek için sağlam bir yüzey üzerine yerleştirin. Kargaburun veya mengene yardımıyla bıçakları yukarı ve aşağı sıkıştırın, ardından somunu gevşetmek için anahtar kullanın (Şek. D2)
2. Somunu, akış kasesini, rondelayı, destek kabını, alt bıçağı, üst bıçağı ve shaft kabını Şek. D1'de gösterilen sırayla çıkarın.
3. Yeni bıçakları takmadan önce shaft kabını shafta geri koyun (Şek. D3). Büyük altıgen delikli üst bıçağı yüzeyinde "EGO" logosu basılı olan shafta logo dışı kutusuna bakacak şekilde yerleştirin (Şek. D4), ardından küçük altıgen delikli alt bıçağı yüzeyinde "EGO" logosu basılı olan shafta logo kullanıcıya bakacak şekilde yerleştirin (Şek. D5).

DİKKAT: Bıçaklardaki altıgen deliklerle altıgen shaft omzunun yerine oturduğundan emin olun. Aksi halde bıçaklar ters takıldığında KENAR DÜZELTME APARATI düzgün çalışmaz ve bıçaklara zarar verecektir.

4. Onları tekrar birleştirmek için Şek. D1'de gösterilen sırayı takip edin.

DIŞLI KUTUSUNU YAĞLAYIN

En iyi çalışma ve daha uzun kullanım ömrü için, her 50 saatlik çalışmadan sonra özel bir gresle (her defasında yaklaşık 4-5g) dışı kutusunu yağlayın.

Özel ağı aşağıdaki gereksinimleri sağlamalıdır.

1. DIN51818: NLGI-1 koni penetrasyon derecesine sahip olmalıdır.
2. Ester bazlı yağ olmalıdır.

3. Mükemmel düşük ısıda başlatma, EP, mekanik kesme, aşınma dayanımı, oksidatif stabilite özelliklerine sahip olmalıdır.
4. Çalışma sıcaklığı -40°C~180°C arasında olmalıdır. Conta vidasını çıkarın. Gresi yağ deliğinden dışı kutusuna doldurun.

⚠ UYARI: Aleti akü takılı ve çalışır haldeyken yağlamayın.

ÜNİTENİN TEMİZLENMESİ

- Cihazı nemli bir bez ve yumuşak deterjanla temizleyin.
- Plastik gövde veya tutma sapı üzerinde güçlü deterjanlar kullanmayın. Çam ve limon gibi belirli aromatik yağlar ve kerosen gibi çözücü maddeler bu yüzeylere zarar verebilir. Nem nedeniyle elektrik çarpmaya tehlikesi oluşabilir. Yumuşak kuru bir bezle nemli yerleri silin.

CİHAZIN SAKLANMASI

- Kullanılmadığı zamanlarda, aküyü aletten çıkarın.
- Cihazı saklamadan önce tamamen temizleyin.
- Cihazı çocukların ulaşamayacağı kuru, iyi havalandırılmış, kilitli veya yüksek bir yerde muhafaza edin. Gübre, benzin veya diğer kimyasal maddelerin yanında saklamayın.
- Taşıma ve depolama sırasında metal bıçaklar için bir taşıma kapağı kullanın.

Çevre koruması



WEEE (Atık Elektrikli ve Elektronik Ürünler) Elektrikli cihazları, kullanılmış aküyü ve akü şarj cihazını evsel atıklarla birlikte atmayın! Bu ürünü yetkili bir geri dönüşümcüye götürün ve ayrı bir şekilde toplanmasını sağlayın. Elektrikli aletler çevreyle uyumlu bir geri dönüşüm tesisine götürülmelidir.



SORUN GİDERME

SORUN	SEBEP	ÇÖZÜM
KENAR DÜZELTME APARATI başlatılmıyor.	<ul style="list-style-type: none">■ Akü elektrikli alet başlığına düzgün şekilde takılı değil.■ Akü boşalmış.■ Kilitleme kolu ve tetiğe aynı anda basılmıyor.	<ul style="list-style-type: none">■ Aküyü elektrikli alet başlığına takın.■ Aküyü bu kılavuzda belirtilen EGO şarj cihazları ile şarj edin.■ Kilitleme koluna basın ve basılı tutun, ardından üniteyi çalıştırmak için tekrar tetiğe basın.
KENAR DÜZELTME APARATI kesim sırasında duruyor.	<ul style="list-style-type: none">■ Motora aşırı yüklenilmiş.■ PİL paketi çok sıcak.■ Akü ile aletin bağlantısı kesilmiş	<ul style="list-style-type: none">■ Yük kaldırıldığında motor normale dönecektir. Sürekli çalışma için, KENAR DÜZELTME APARATI üzerindeki yükü azaltın ve derin kesimden kaçının; bunun yerine aşamalı olarak daha derin kesimler yapın.■ Akünün doğal bir şekilde soğumasına izin verin veya soğutmayı hızlandırmak için hava üfleyin.■ Aküyü tekrar takın.

GARANTİ

EGO GARANTİ POLİTİKASI

EGO Garanti politikasına ilişkin tüm hüküm ve koşullar için, lütfen egopowerplus.com adresindeki web sitemizi ziyaret edin.

TR

LUGEGE KÕIKI JUHISEID!



LUGEGE KASUTUSJUHENDIT

⚠️ Kaasnev risk! Inimesed, kes kasutavad elektroonilisi seadmeid, nt südamestimulaatorit, peaksid enne selle toote kasutamist konsulteerima oma arstiga. Elektriseadmete kasutamine südamestimulaatori läheduses võib põhjustada südamestimulaatori häireid või rikkeid.

⚠️ HOIATUS! Ohutuse ja töökindluse tagamiseks tohivad seda seadet remontida ainult vastava kvalifikatsiooniga hooldustehnikud.

OHUTUSSÜMBOL

Ohutussümbolite eesmärk on pöörata tähelepanu võimalikele ohtudele. Ohutussümbolitele ja nende juures olevatele seletustele tuleb korralikult tähelepanu pöörata ja need endale selgeks teha. Ohutussümbolid iseenesest ei kõrvalda ohu olemasolu. Nendega kaasnevad juhendid ja hoiatused ei asenda asjakohaseid õnnetuste ennetamise meetmeid.

⚠️ HOIATUS! Enne käesoleva seadme kasutamist lugege kindlasti läbi ja tehke endale selgeks kõik Kasutusjuhendis toodud ohutusjuhised, sh kõik ohutussümbolid nagu „OHT”, „HOIATUS,” ja „ETTEVAATUST”. Kui kõiki allpool loetletud juhiseid ei järgita, võib tagajärjeks olla elektrilöök, tulekahju ja/või tõsised isikuvigastused.

SÜMBOLITE TÄHENDUSED

⚠️ TURVATEATE SÜMBOL Sümboloid OHT, HOIATUS, VÕI ETTEVAATUST võidakse kasutada koos teiste sümbolite või piktograafidega.

⚠️ HOIATUS! Mis tahes elektriliste tööriistade kasutamine võib põhjustada võõrkehade paiskumist silma, mis võib põhjustada raskeid silmakahjustusi. Kandke elektriliste tööriistade kasutamise ajal alati kaitseprille või külgkaitsetega kaitseprille ja vajadusel täielikku näokaitset. Soovitame kanda prillide peal laia vaatealaga kaitsemaski või tavalisi külgkaitsetega kaitseprille.





OHUTUSJUHISED

Sel lehel on kujutatud ja kirjeldatud ohutussümboloid, mida võib käesolevalt tootelt leida. Enne seadme

kokkupanemist ja kasutamist lugege, tehke omale selgeks ja järgige kõiki juhiseid.

	Ohutusteade	Teie turvalisusega seotud ettevaatusabinõud.
	Lugege kasutusjuhendit	Et vähendada vigastuste ohtu, peab kasutaja enne toote kasutamist lugema kasutusjuhendit ja selle endale selgeks tegema.
	Kandke kaitseprille	Kandke selle toote kasutamise ajal alati kaitseprille või külgkaitsetega kaitseprille ja täielikku näokaitset.
	Kasutage kuulmiskaitsevahendeid	Kasutage seadmega töötades alati kuulmiskaitset.
	Kandke tugevat peakatet	Pea kaitsmiseks kandke nõuetekohast tugevast materjalist peakatet.
	Kandke kaitsekindaid	Tera või tera kaitse käsitsemisel kandke käte kaitsmiseks kindaid.
	Kandke turvajalanõusid	Tööriista kasutamisel kandke mittelibisevaid turvajalanõusid.
	Ettevaatust tera tagasilöögiga	Hoiatage seadme operaatorit tera tagasilöögi ohu eest.
	Rikošett ja Hoidke kõrvalised isikud eemal	Võõrkehad võivad rikošetiga eemale paiskuda ja selle tagajärjeks võivad olla isikuvigastused või vara kahjustumine. Võsalõikuriga töötamise ajal ei tohi läheduses olla loomi ega teisi inimesi
	Ärge laske kellelgi töö ajal enda lähedal seista	Jõhvtrimmeriga töötamise ajal ei tohi vähemalt 15 m raadiuses olla loomi ega teisi inimesi.
	Ümarad terad ei sobi	Ärge paigaldage ümaraid lõiketerasid.

ET

	WEEE	Elektriseadmete jäätmeid ei tohi visata olmejäätmete hulka. Viige volitatud taaskäitleja juurde.
	Müra	Garanteeritud helivõimsuse tase. Seadme müra keskkonnas on Euroopa Ühenduse direktiiviga vastavuses.
	CE	Toode vastab rakendatavatele EÜ direktiividele.
V	Volti	Pinge
n_0	Tühikäigu kiirus	Tühikäigu pöörlemiskiirus
min ⁻¹	Minutis	Pööret minutis
	Alalisvool	Voolu tüüp või omadus
kg	Kilogramm	Kaal

OLULISED OHUTUSJUHISED

⚠ HOIATUS! Lugege läbi kõik elektritööriistaga kaasas olevad hoiatused, juhised, joonised ja andmed. Alltoodud juhiste eiramine võib põhjustada elektrilööki, tulekahju ja/või raskeid vigastusi.

Säilitage hoiatused ja juhised hilisemaks kasutuseks.

- Vältige ohtlikke keskkondi – ärge kasutage seadmeid niisketel või märgadel kallakutel.
- Hoidke piirded omal kohal ja töökorras.
- Hoidke käed ja jalad löikealast eemal.
- Vigastuste esinemise ohu vähendamiseks ärge kunagi kasutage seda seadet, kui seisate redelil või muul ebakindlal pinnal. Ärge kunagi hoidke lõiketarvikut vöökohast kõrgemal.
- Kontrollige lõiketarviku seisukorda töötamise ajal regulaarselt ja sagedasti või koheselt kui ilmneb märgatav muutus lõikeseadmete töös.
- Parimate tulemuste saavutamiseks tuleks laadida akut keskkonnas, mille temperatuur jääb vahemikku 5°C kuni 40°C. Ärge hoiustage akut välitingimustes või sõidukites.
- Kui keegi teile läheneb, seisake mootor ja lõiketarvik koheselt.

- Hoiatage seadme operaatorit tera tagasilöögi ohu eest.
- Tera tagasilöök võib esineda siis, kui pöörlev tera puutub kokku esemega, mida see koheselt läbi ei löika.
- Tera tagasilöök võib olla piisavalt tugev, et tööriista ja/või selle operaatorit suvalises suunas lennutada ning võib juhtuda, et operaator kaotab seadme üle kontrolli.
- Tera tagasilöök võib tekkida ootamatult, kui tera puruneb, seiskub või paindub.
- Tera tagasilöögi esinemine on tõenäolisem piirkondades, kus löigatavat materjali on raske näha.
- Ärge paigaldage seadme külge ühtegi tera ilma kõigi nõutavate osadeta. Õigete osade kasutamata jätmise korral võib tera seadme küljest minema lennata ning selle operaatorit ja/või kõrvalisi isikuid tõsiselt vigastada. Visake ära kõik paindunud, kõverdunud, pragunenud, katkised või muul moel kahjustunud terad. Kasutage teravaid lõiketerasid. Nüri lõiketera võib kergemini puruneda või tagasilööki anda.
- Tühikäigul pöörlev tera/jõhv võib tekitada vigastusi, sest see jätkab pöörlemist ka siis, kui mootor on peatunud ja päästik vabastatud. Säilitage kontroll seadme üle kuni tera/jõhv on pöörlemise täielikult lõpetanud.
- Akuga töötavaid tööriistu pole vaja vooluvõrku ühendada, seega on nad alati töörežiimis. Olge teadlik võimalikest ohtudest ka ajal, mil tööriist pole sisse lüüritatud. Seadme hooldamise või remontimise ajal olge ettevaatlik.
- Ärge peske voolikuga, vältige vee sattumist mootorisse ja elektriühenduste peale.
- Kui esineb olukordi, mida pole käesolevas juhendis kirjeldatud, käituge hoolsalt ja lähtuge tervest mõistusest. Küsige abi EGO hoolduskeskusest.

HOIDKE SEE KASUTUSJUHEND ALLES!

SPETSIFIKATSIOONID

Tühikäik	Kuni 450/min
Lõiketera	ABR2300
Soovituslik töökeskkonna temperatuur	0°C-40°C
Soovituslik hoiustamise temperatuur	-20°C-70°C
Optimaalne laadimistemperatuur	5°C-40°C
Kaal	1,9 kg

Mõõdetud helivõimsuse tase L_{WA}	96,1 dB(A) K = 3,8 dB (A)		
Helirõhk seadme operaatori kõrva juures L_{PA}	83,2 dB(A) K = 2,5 dB(A)		
Garanteeritud helivõimsuse tase L_{WA} (mõõdetud vastavalt direktiivile 2000/14/EÜ)	100 dB(A)		
Vibratsioon a_n mõõtmise:	Masin	With STX3800	With BCX3800
	Vasakpoolne käepide	0,7 m/s ²	0,6 m/s ²
	Parempoolne käepide	K = 1,5 m/s ²	K = 1,5 m/s ²

- Esitatud vibratsioonitaseme näit on mõõdetud standardsete testmeetodite kohaselt ja seda võidakse kasutada erinevate tööriistade võrdlemiseks.
- Esitatud vibratsioonitaseme näitu võib kasutada ka algse kokkupuutehinnangu andmiseks.

MÄRKUS! Tegelikul kasutamisel tekki vibratsioonitase võib esitatust erineda; turvalisuse eesmärgil peaks seadme kasutaja tegelikes kasutustingimustes kandma kindaid ja kuulmiskaitseid.

KIRJELDUS

TUNNE OMA ROTOCUTI (Joon. A)

1. Kinnituskrugi
2. Käigukast
3. Tera
4. Tera kaitse
5. Kaitsepiire
6. Mutrivõti
7. Kuuskantvõti
8. Tihend (kasutamiseks 25 mm läbimõõduga toruga)

PAKENDI LOEND

OSA NIMI	KOGUS
ROTOCUT	1
Kaitsepiire	1
Mutrivõti	1
Kuuskantvõti	1
Tihend	1
Kasutusjuhend	1

KOKKUPANEK

⚠ HOIATUS! Kui mõni osa on kahjustatud või puudub, ärge kasutage seadet enne, kui see osa on parandatud. Kasutades kahjustatud või vajalike komponentideta seadet, võite saada raskeid vigastusi.

⚠ HOIATUS! Ärge üritage seadet ümber ehitada ega kasutada tarvikuid, mis pole mõeldud selle seadmega koos kasutamiseks. Kõik niisugused muudatused loetakse väärkasutuseks ja need võivad põhjustada ohtlikke olukordi, mis lõppevad rasketest vigastustest.

⚠ HOIATUS! Raskeid vigastusi põhjustada võib juhusliku käivitumise vältimiseks katkestage seadmeosade kokkupaneku ajaks alati aku ühendus.

TRIMMERIPEA VAHETAMINE ROTOCUT PEA VASTU

1. Hoidke jõhvtrimmerit/võsalõikurit ja kasutage kuuskantvõtit, et eemaldada ajami võlli trimmeri kaitsepiire, trimmeripea ja käigukast (joon. B1-B3). Ajami võlli kasutatakse hiljem ROTOCUTI kokkupanekul.
2. Võtke ROTOCUT pakendist välja, vabastage kaks kruvi 1# ja hoidke neid kinnitusplaadil, vabastage ja eemaldage kinnitusplaadi kruvi 2#. (joon. B4)

B-1	Kruvi 1#	B-3	Kinnitusplaat
B-2	Kruvi 2#		

3. Seejärel paigaldage ROTOCUTI pea 1. etapis eemaldatud ajami võllile ja veenduge, et kruvi B-2 ava on joondatud ajami võlli avaga (joon. B5).
4. Esmalt paigaldage kruvi B-2 ja keerake see kinni ning seejärel keerake kinni kaks kruvi B-1 (joon. B6).
5. Võtke ROTOCUT kaitsepiire pakendist välja ja vabastage selles olevad kaks polti. Eemaldage ja hoidke alles nii kaitsepiire kaks polti kui vedruseid (joon. B7).
6. Tõstke ROTOCUTI pea üles ja suunake see allapoole; joondage kaks kaitse paigaldusauku kahe ROTOCUTI kinnitusplaadil asuva paigaldusavaga. Veenduge, et kaitse on suunatud joonisel näidatud suunas, nii et kumerus jääb lõikehammaste ümber. (joon. B8).
7. Kaitsepiire lukustamiseks kasutage kuuskantvõtit.
8. Kasutamise ajal eemaldage lõiketeralt tera kaitse.

ET

SEADME KASUTAMINE

⚠ HOIATUS! Ärge muutuge toodet tundma õppides hooletuks. Pidage meeles, et raskeid vigastusi põhjustavaks õnnetuseks piisab ka sekundi murdosa pikkusest tähelepanematuses.

⚠ HOIATUS! Kasutage alati nägemis- ja kuulmiskaitsevahendeid. Vastasel korral võib teile midagi silma paiskuda ja võite saada ka muud laadi raskeid vigastusi.

⚠ HOIATUS! Ärge kasutage lisaseadmeid või -tarvikuid, mida selle seadme valmistaja pole soovitanud. Mittesooovitavate lisaseadmete või -tarvikute kasutamine võib põhjustada raskeid kehavigastusi.

⚠ HOIATUS! Raskete vigastuste vältimiseks eemaldage seade alati toiteallikast, enne kui asute seadet remontima, puhastama, tarvikuid vahetama või kinni jäänud objekte eemaldama.

Seda toodet võite kasutada allpool loetletud eesmärkidel.

Lõikamine: kasutatakse rohu lõikamiseks vaiade või kaitsepiirete, seinte, kõnniteeservade, aedade lähedusest või parkimisplatside taimestiku piiramiseks.

MÄRKUS! ROTOCUTI kasutamisel jälgige, et seadmest ei paiskuku võrkehasid, sest need kujutavad endast suurt riski - purunenud aknad, mõlgid autodel, rebenenud aiad, kahjustatud puukoor ja isikuvigastused.

AKUTOITE ÜHENDAMINE/LAHTIÜHENDAMINE (joon. C)

Laadige enne esimest kasutamist täielikult täis.

Joondage pistiku **▲** seadme **▲** -ga. Lükake pistik tööriista sisse nii kaugele, et roheline märgis kaob täies ulatuses pistikupesasse.

Akutoite lahtiühendamiseks eemaldage pistik seda tagasi tõmmates.

ET

TÖÖRIISTA KÄIVITAMINE/PEATAMINE (STX3800 JA BCX3800)

Lugege jaotist "JÕHVTRIMMERI / VÕSALÕIKURI KÄIVITAMINE/PEATAMINE" STX3800/BCX3800 kasutusjuhendis.

TÖÖRIISTA KASUTAMINE

⚠ HOIATUS! Raskete vigastuste vältimiseks kasutage seadmega töötades alati kaitseprille. Tolmustes tingimustes kandke näomaski või tolmumaski.

Enne töö alustamist puhastage tööpiirkond võrkehadest. Eemaldage tööpinnalt kõik kivid, klaasikillud, naelad, juhtmed ja nõõrid, mis võivad seadme töö tõttu paiskuda või selle külge või sisse kinni jääda. Jälgige, et tööpiirkonnas poleks lapsi, kõrvalisi isikuid ega loomi. Lapsed, kõrvalised isikud ja loomad peavad olema vähemalt 15 meetri kaugusel; ka selle tingimuse täidetuse korral säilib mõningane paiskuvatest esemetest tingitud oht kõrvalistele isikutele. Soovitage kõrvalistel isikutel kasutada kaitseprille. Kui keegi teile läheneb, seisake mootor ja lõikeseade koheselt.

Enne iga kasutuskorda kontrollige seadme kahjustumist / kulumist.

Kontrollige ROTOCUTI pead, kaitsepiiret ja aaskäepidid ning vahetage välja mõranenud, väärdunud, paindunud või muul moel kahjustatud komponendid.

⚠ HOIATUS! Piirde paigaldamise või hooldamise ajal kasutage alati kindaid. Jälgige tera liikumist ja kaitse oma käsi vigastuste eest.

Puhastage seadet pärast iga kasutuskorda.

⚠ ETTEVAATUST! Õhutusava ees olevad objektid takistavad õhu pääsemist mootori korpusesse ning selle tulemusena võib mootor üle kuumeneda või kahjustusi saada.

- Puhastamiseks kasutage ainult pehmetoimelist seepi ja niisket lappi. Ärge kunagi laske vedelikul tööriista sisse sattuda ja ärge kunagi pange tööriista vedeliku sisse.
- Jälgige alati, et mootori korpusse õhutusavad oleksid puhtad.

HOOLDUS

⚠ HOIATUS! Remontimisel kasutage vaid originaalvaruosi. Kontrollige ja hooldage tööriista regulaarselt. Turvalisuse ja vastupidavuse tagamiseks peab kõiki parandustöid läbi viima kvalifitseeritud hooldustehnik.

⚠ HOIATUS! Akuga töötavaid tööriistu pole vaja vooluvõrku ühendada, seega on nad alati töörežiimis. Raskete kehavigastuste ennetamiseks olge väga hoolikas, kui teostate hooldus- või remonttöid või vahetate lõikeseadmeid või muid tarvikuid.

⚠ HOIATUS! Raskete vigastuste vältimiseks eemaldage alati aku enne, kui asute seadet hooldama, puhastama, täiendavaid tarvikuid kinnitama või kinni jäänud objekte eemaldama.

ROTOCUTI TERA VAHETAMINE

⚠ HOIATUS! Vahetage terad välja kohe kui terad tulevad pärast asendisse fikseerimist lahti või kui terad on väga kulunud. Ärge kunagi kasutage lahtise või mittetöötava löikeseadmega tööriista.

Tutvuge ROTOCUTI pea ülesehitusega, joon. D1.

D-1	Võlli ots	D-5	Seib
D-2	Pealmine tera	D-6	Vedamisketas
D-3	Alumine tera	D-7	Mutter
D-4	Tugikuppel		

1. Asetage ROTOCUTI pea käigukasti toetamiseks kindla pinna vastu. Kinnitage pealmine ja alumine tera tangide või kruustangide vahele ja vabastage mutter mutrivõtme abil (joon. D2).
2. Eemaldage mutter, vedamisketas, seib, tugikuppel, alumine tera, pealmine tera ja võlli ots joon. D1 näidatud järjekorras.
3. Enne uute terade paigaldamist paigaldage võlli ots võllile (joon. D3). Pange suure kuuskantavaga pealmine tera võllile nii, et „EGO“ logoga pind on suunatud käigukasti poole (joon. D4), seejärel pange väikese kuuskantavaga alumine tera võllile nii, et „EGO“ logoga pind on suunatud operaatori poole (joon. D5).

MÄRKUS! Veenduge, et terade kuuskantavad ja kuuskantvõlli ots lähevad paika. Kui paigaldate terad vastupidiselt, siis ei tööta ROTO CUT korrektselt ja kahjustab terasid.

4. Kokkupanekul toimige joon. D1 esitatud järjekorras.

KÄIGUKASTI MÄÄRIMINE

Seadme parima töövoime ja pikema kasutusea tagamiseks määrige selle käigukasti erimäärdega (iga kord 4–5 g) pärast iga 50 töötatud tundi.

Erimääre peab vastama järgnevale tingimustele.

1. Kuulub DIN51818: NLGI-1 koonuspenetratsiooni klassi.
2. Estril põhinev määre.
3. Suurepärase käivitus madalal temperatuuril, vastupidavus ekstreemsetele rõhkudele ja mehaanilisele hõõrdumisele, kulumiskindlus ning oksüdatiivne stabiilsus.
4. Töötemperatuuri vahemik -40°C~180°C. Eemaldage kinnituskrugi. Määrige käigukasti õilava kaudu.

⚠ HOIATUS! Ärge määrige, kui tööriist on endiselt akuga ühendatud või töötab.

SEADME PUHASTAMINE

- Seadme puhastamiseks kasutage leebetoimelise puhastusvahendiga immutatud niisket lappi.
- Ärge kasutage plastmasskomponentide või käepideme puhastamiseks tugevatoimelisi puhastusaineid. Seadme osi võivad kahjustada teatud aroomaatsed õlid (nt männi- või sidruniõli) ja teatud ained (nt petrooleum). Niiskus võib tekitada elektrilöögi ohu. Eemaldage niiskus pehme kuiva lapiga.

SEADME HOIUSTAMINE

- Kui te tööriista ei kasuta, ühendage selle akutoide lahti.
- Enne tööriista hoiustamist puhastage see hoolikalt.
- Hoidke tööriista kuivas, hästi ventileeritavas, lukustatud kohas ja kõrgel, lastele ligipääsmatus kohas. Ärge hoidke seadet väetiste, bensiini või muude kemikaalide läheduses.
- Seadme transportimisel ja hoiustamisel kasutage metallterade jaoks mõeldud transpordikatteid.

Keskonnakaitse



Elektri- ja elektroonikaseadmetest tekkinud jäätmete direktiiv (WEEE)

Ärge visake elektriseadmeid, akulaadurit ega patareisid/akusid olmeprügi hulka! Viige toode volitatud taaskäitleja juurde ja võimaldage selle komponendid sorteerituna kõrvaldada. Elektritööriistad viige keskkonnakaitsenõudeid järgivasse jäätmekäitluskeskusesse.

TÖRKEOTSING

PROBLEEM	PÕHJUS	LAHENDUS
ROTOCUT ei käivitu.	<ul style="list-style-type: none">▪ Akuplokk pole korralikult toitepea külge ühendatud.▪ Akuplokk on tühi.▪ Lukustushooba ja päästikut ei vajutatud samaaegselt.	<ul style="list-style-type: none">▪ Ühendage akuplokk toitepeaga.▪ Laadige akuplokki käesolevas juhendis märgitud EGO laaduri abil.▪ Seadme sisse lülitamiseks vajutage lukustushooba ja hoidke seda all ning vajutage päästikut.
ROTOCUT peatub lõikamise ajal.	<ul style="list-style-type: none">▪ Mootor on ülekoormatud.▪ Akuplokk on liiga kuum.▪ Akuplokk on tööriista küljest lahti ühendatud.	<ul style="list-style-type: none">▪ Mootori võimsus taastub koormuse eemaldamisel. Järjepideva töö jaoks vähendage ROTO CUTi koormust ja vältige sügavuti freesimist, selle asemel tehke lõikeid, mis järjest sügavamaks lähevad.▪ Laske akul loomulikul teel maha jahtuda või puhuge sellele õhku, et jahtumist kiirendada.▪ Ühendage akuplokk uuesti.

GARANTII**EGO GARANTIIPÕHIMÕTTED**

Täielikud EGO garantiitingimused leiate veebilehelt egopowerplus.com.

ПРОЧИТАЙТЕ ВСІ ІНСТРУКЦІЇ!



ПРОЧИТАЙТЕ ПОСІБНИК З ЕКСПЛУАТАЦІЇ

⚠ Залишковий ризик! Люди з електронними пристроями, наприклад кардіостимуляторами, повинні проконсультуватися зі своїм лікарем (лікарями) перед використанням цього виробу. Експлуатація електрообладнання в безпосередній близькості від кардіостимулятора може спричинити перешкоди або несправність кардіостимулятора.

⚠ ПОПЕРЕДЖЕННЯ. Для гарантування безпеки та надійності всі роботи з ремонту та заміни повинен проводити кваліфікований технічний спеціаліст.

СИМВОЛ БЕЗПЕКИ

Мета символів, пов'язаних із безпекою, – привернути вашу увагу до можливих небезпек. Символи безпеки та їхнє пояснення заслуговують на вашу пильну увагу та розуміння. Символи попереджень самі по собі не усувають будь-якої небезпеки. Інструкції та попередження, які вони надають, не замінюють належних заходів щодо запобігання аваріям.

⚠ ПОПЕРЕДЖЕННЯ. Перш ніж користуватися цим інструментом, обов'язково ознайомтеся з усіма інструкціями з безпеки, наведеними в цьому посібнику користувача, зокрема з усіма символами попереджень, такими як «НЕБЕЗПЕКА», «ПОПЕРЕДЖЕННЯ» та «ЗАСТЕРЕЖЕННЯ». Недотримання наведених нижче вказівок може спричинити ураження електричним струмом, пожежу та/або серйозні травми.

ЗНАЧЕННЯ СИМВОЛУ

⚠ СИМВОЛ ПОПЕРЕДЖЕННЯ ЩОДО БЕЗПЕКИ:

Вказує на **НЕБЕЗПЕКУ**, **ПОПЕРЕДЖЕННЯ** або **ЗАСТЕРЕЖЕННЯ**. Може використовуватися разом з іншими символами або піктограмами.

⚠ ПОПЕРЕДЖЕННЯ. Використання будь-яких електроінструментів може призвести до потрапляння сторонніх предметів в очі, що може спричинити серйозне пошкодження очей. Перед початком експлуатації електроінструмента завжди надягайте закриті захисні окуляри або відкриті захисні окуляри з бічними щитами та, якщо потрібно, повнопрофільну захисну маску. Ми рекомендуємо захисну маску широкого розміру для використання поверх окулярів або стандартні відкриті захисні окуляри з бічними щитами.

ПРАВИЛА ТЕХНІКИ БЕЗПЕКИ

На цій сторінці зображено та описано символи, пов'язані з безпекою, які можуть відобразитися на цьому виробі. Перш ніж намагатися зібрати та експлуатувати його, ознайомтеся з усіма інструкціями на інструменті та дотримуйтесь їх.

	Попередження щодо безпеки	Запобіжні заходи, що стосуються вашої безпеки.
	Прочитайте посібник з експлуатації	Щоб зменшити ризик травми, користувач повинен ознайомитися з інструкцією користувача перед використанням цього виробу.
	Надягайте засоби захисту очей	Працюючи з цим виробом, завжди носіть закриті захисні окуляри чи відкриті захисні окуляри з бічними щитами або повнопрофільну захисну маску.
	Надягайте засоби захисту органів слуху	Під час роботи з цим виробом завжди використовуйте засоби захисту органів слуху.
	Надягайте засоби захисту голови	Носіть схвалений захисний шолом для захисту голови.
	Надягайте захисні рукавиці.	Під час роботи з лезом і щитком леза одягайте рукавиці для захисту рук.
	Надягайте захисне взуття	Використовуючи таке обладнання, одягайте неслизьке захисне взуття.
	Остерігайтеся упору леза	Попередьте оператора про небезпеку упору леза.
	Небезпека рикошету, тримайте сторонніх спостерігачів подалі	Відкинуті предмети можуть відрикошетитись і призвести до травм або пошкоджень майна. Переконайтеся, що інші люди та домашні тварини залишаються на відстані від куцоріза, коли він використовується

UK

	Тримайте сторонніх подалі	Переконайтеся, що інші люди та домашні тварини залишаються на відстані принаймні 15 м від лісового тримера, коли він використовується.
	Кругле лезо не використовується	Не встановлюйте кругові різальні леза.
	WEEE	Відходи електричних виробів не слід викидати разом із побутовим сміттям. Зверніться до авторизованого пункту переробки.
	Шум	Гарантований рівень звукової потужності. Розповсюдження шуму в навколишнє середовище згідно з директивою Європейського співтовариства
	CE	Цей виріб відповідає чинним директивам ЄС.
V	Вольти	Напруга
n ₀	Швидкість холостого ходу	Обертова швидкість без навантаження
min ⁻¹	На хвилину	Обертів на хвилину
	Постійний струм	Тип або характеристика струму
kg	Кілограм	Вага

ВАЖЛИВІ ВКАЗІВКИ ЩОДО БЕЗПЕКИ

UK

⚠ ПОПЕРЕДЖЕННЯ. Прочитайте всі попередження безпеки, інструкції, ілюстрації та характеристики, надані з цим електроінструментом. Недотримання наведених нижче вказівок може спричинити ураження електричним струмом, пожежу та/або серйозні травми

Зберігайте всі попередження та інструкції для використання у майбутньому.

- Уникайте небезпечних середовищ. Не використовуйте прилади на вологих або мокрих схилах.

- Запобіжники мають бути на місці та в робочому стані.
- Тримайте руки та ноги подалі від місця різання.
- Щоб зменшити ризик отримання травми, ніколи не слід працювати на драбині або на будь-якій іншій небезпечній опорі. Ніколи не тримайте ріжучий пристрій вище висоти пояса.
- Регулярно перевіряйте ріжучий пристрій через короткі проміжки часу під час роботи, або негайно, якщо помітна зміна в способі різання.
- Для досягнення найкращих результатів акумулятор потрібно заряджати при температурі від 5°C до 40°C. Не зберігайте його надворі або в автомобілі.
- Перед наближенням зупиніть мотор і ріжучий пристрій.
- Попередьте оператора про небезпеку упору леза.
- Упор леза може мати місце, коли обертове лезо контактує з предметом, який він не зрізає негайно.
- Упор леза може бути достатньо сильним і відштовхнути прилад і/або користувача в будь-якому напрямку, і, можливо, призвести до втрати контролю над приладом.
- Упор леза може статися без попередження, якщо лезо налетить на корчі, застопориться або заплутається.
- Упор леза частіше відбуваються в областях, де важко побачити матеріал, що зрізається.
- Не прикріплюйте лезо до приладу без належного встановлення всіх необхідних частин. Використання невідповідних деталей може призвести до вильоту леза та серйозного пошкодження оператора та/або сторонніх спостерігачів. Викидайте лезо, якщо воно зігнулося, деформувалося, тріснуло, зламалося або його пошкоджено будь-яким іншим чином. Використовуйте гостре лезо. Тупе лезо з більшою ймовірністю зачепиться або застрягне.
- Лезо/ліска, що рухається, може спричинити пошкодження, коли продовжує обертатися після зупинки мотора або звільнення тригера. Підтримуйте належний контроль, доки лезо/ліска повністю не припинить обертатися.
- Акумуляторні інструменти не потрібно підключати до електричної розетки; отже, вони завжди в робочому стані. Будьте в курсі можливих небезпек, навіть якщо інструмент не працює. Будьте обережні, виконуючи технічне обслуговування чи догляд.

- Не мийте шлангом; уникайте потрапляння води в мотор та електричні з'єднання.
- Якщо виникають ситуації, які не розглядаються в цьому посібнику, проявляйте обережність і розсудливість. Зверніться до сервісного центру для клієнтів EGO по допомогу.

ЗБЕРЕЖІТЬ ЦЮ ІНСТРУКЦІЮ!

ТЕХНІЧНІ ХАРАКТЕРИСТИКИ

Швидкість холостого ходу	До 450/хв		
Ріжуче лезо	ABR2300		
Діапазон рекомендованих робочих температур	0°C–40°C		
Діапазон рекомендованих температур зберігання	-20°C–70°C		
Оптимальна температура заряджання	5°C–40°C		
Вага	1,9 кг		
Вимірний рівень звукової потужності L_{WA}	96,1 дБ(A)	K = 3,8 дБ(A)	
Рівень звукового тиску на місці вуха оператора L_{PA}	83,2 дБ(A)	K = 2,5 дБ(A)	
Гарантований рівень звукової потужності L_{WA} (виміряно відповідно до 2000/14/EC)	100 дБ(A)		
Оцінка вібрації $a_{h,v}$:	Машина	3 STX3800	3 VCX3800
	Ліва ручка	0,7 м/с ²	0,6 м/с ²
	Права ручка	K = 1,5 м/с ²	K = 1,5 м/с ²

- Вказане загальне значення вібрації виміряне за стандартним методом тестування і може використовуватися для порівняння одного інструмента з іншим;
- Заявлене сумарне значення вібрації може також використовуватись для попередньої оцінки впливу.

ПРИМІТКА. Емісія вібрації під час фактичного використання електроінструмента може відрізнятися від заявленої величини, у якій використовується інструмент. Щоб захистити оператора, користувач повинен одягати рукавички та захисні навушники в реальних умовах використання.

ОПИС

ОЗНАЙОМЛЕННЯ З РОТАЦІЙНОЮ КОСАРКОЮ (рис. А)

1. Герметичний гвинт
2. Корпус редуктора
3. Лезо
4. Футляр леза
5. Щиток у зборі
6. Гайковий ключ
7. Торцевий ключ
8. Втулка (для використання з трубкою діаметром 25 мм)

ПАКУВАЛЬНИЙ СПИСОК

НАЗВА ДЕТАЛІ	КІЛЬКІСТЬ
РОТАЦІЙНА КОСАРКА	1
Щиток у зборі	1
Гайковий ключ	1
Торцевий ключ	1
Втулка	1
Посібник користувача	1

ЗБИРАННЯ

⚠ ПОПЕРЕДЖЕННЯ. Якщо якісь частини пошкоджені або відсутні, не користуйтеся цим інструментом, доки вони не будуть замінені. Використання цього виробу з пошкодженими або відсутніми деталями може призвести до серйозних травм.

⚠ ПОПЕРЕДЖЕННЯ. Не намагайтеся вдосконалити цю машину або застосувати приладдя, не рекомендоване для неї. Кожна така заміна чи переробка є фактом неправильного користування, створює небезпечні умови й загрожує серйозними травмами.

⚠ ПОПЕРЕДЖЕННЯ. Щоб запобігти випадковому запуску, що може спричинити серйозні травми, завжди від'єднуйте роз'єм акумулятора від гнізда під час монтажу деталей.

ЗАМІНА ТРИМЕРНОЇ ГОЛОВКИ НА ГОЛОВКУ-РОТАЦІЙНУ КОСАРКУ

1. Утримуючи лісовий тример/кущоріз, за допомогою шестигранного ключа зніміть захисний кожух, головку тримера та корпус редуктора з приводного вала (рис. В1-В3). Приводний вал використовуватиметься для складання

UK

РОТАЦІЙНОЇ КОСАРКИ пізніше.

2. Вийміть РОТАЦІЙНУ КОСАРКУ з упаковки, послабте два гвинти 1# і утримуйте їх на кріпильній пластині, послабте та зніміть гвинт 2# з кріпильної пластини. (Рис.. В4)

B-1	Гвинт 1#	B-3	Кріпильна пластина
B-2	Гвинт 2#		

3. Потім вставте голівку-РОТАЦІЙНУ КОСАРКУ в приводний вал, знятий на кроці 1, переконаєтеся, що отвір гвинта B-2 суміщений з отвором на приводному валу (рис. B5).
4. Спочатку вставте гвинт B-2 і затягніть його, а потім затягніть два гвинти B-1 (рис. B6).
5. Вийміть захисний щиток РОТАЦІЙНОЇ КОСАРКИ з упаковки та послабте два болти в кожусі. Зніміть і відкладіть два болти та пружинні шайби з щитка (рис. B7).
6. Підніміть головку РОТАЦІЙНОЇ КОСАРКИ і спрямуйте її донизу; вирівняйте два кріпильні отвори в щитку з двома отворами на кріпильній пластині РОТАЦІЙНОЇ КОСАРКИ. Переконайтеся, що напрямок щитка відповідає зображенню нижче, він розташований дугою навколо ріжучих зубців. (Рис. B8).
7. Використовуйте шестигранний ключ, щоб зафіксувати щиток на місці.
8. Зніміть футляр із леза під час роботи.

ЕКСПЛУАТАЦІЯ

⚠ ПОПЕРЕДЖЕННЯ. Знання виробу не має робити вас небалим. Пам'ятайте, що півсекунди неувважності досить для серйозної травми.

⚠ ПОПЕРЕДЖЕННЯ. Завжди носіть засоби захисту органів зору та слуху. Без окулярів ви ризикуєте травмами очей від викинутих предметів та іншими серйозними травмами.

⚠ ПОПЕРЕДЖЕННЯ. Не використовуйте приладдя чи насадки, не рекомендовані виробником цього пристрою. Використання нерекондованого приладдя чи насадок може призвести до серйозних травм.

⚠ ПОПЕРЕДЖЕННЯ. Щоб запобігти серйозним травмам, від'єднайте акумулятор від інструмента перед обслуговуванням, очищенням, заміною насадок або видаленням матеріалу з пристрою.

Ви можете використовувати цей виріб для цілей, перелічених нижче:

Зрізання: використовується для зрізання трави навколо стовпчиків або огорож, країв стін, бордюрів, огорож у місцях із пожевленим рухом або для обрізання рослинності на парковках.

ПРИМІТКА. Під час використання РОТАЦІЙНОЇ КОСАРКИ переконайтеся, що сторонні предмети не буде відкинуто, що може тягну за собою серйозні ризики: розбиті вікна, вм'ятини кузова, прорізи в парканах, порвана кора дерева або тілесні ушкодження.

NOTICE: When using the ROTOCUT, ensure that no foreign objects are thrown out which entails strong risks: broken windows, dented car bodies, slit fences, torn tree bark or personal injury.

ПІД'ЄДНАННЯ/ВІД'ЄДНАННЯ АКУМУЛЯТОРА (рис. С)

Повністю зарядіть перед першим використанням.

Зіставте позначку ▲ на штекері з позначкою ▲ на машині. Вставте штепсель у машину таким чином, щоб зелений ущільнювач повністю зник у гнізді.

Щоб відключити акумулятор, просто від'єднайте його, взявшись за нього та потягнувши назад.

ЗАПУСК/ЗУПИНКА ІНСТРУМЕНТА (ДЛЯ STX3800 І ВСX3800)

Див. розділ «ЗАПУСК/ЗУПИНКА ЛІСОВОГО ТРИМЕРА/КУЩОРІЗА» в посібнику з експлуатації STX3800/BCX3800.

ВИКОРИСТАННЯ ІНСТРУМЕНТА

⚠ ПОПЕРЕДЖЕННЯ. Щоб уникнути серйозних травм, завжди використовуйте закриті або відкриті захисні окуляри під час роботи з цим пристроєм. Одягайте маску для обличчя або пилову маску в місцях, де є пил.

Очищуйте ділянку підрізання перед кожним використанням. Видаліть усі предмети, такі як камені, бите скло, цвяхи, дроти або ліску, які можуть бути відкинуті або затягнуті в ріжуче обладнання. Приберіть із робочої області дітей, сторонніх і домашніх тварин. Принаймні тримайте всіх дітей, сторонніх спостерігачів і домашніх тварин на відстані не менше 15 м; проте для сторонніх спостерігачів усе одно може бути ризик від відкинутих предметів. Стороннім спостерігачам слід рекомендувати носити засоби захисту очей. Перед наближенням зупиніть мотор і ріжучий пристрій негайно.

Перед кожним використанням перевірте наявність пошкоджень/зношених деталей

Перевірте головку РОТАЦІЙНОЇ КОСАРКИ, щиток і ручку-скобу, а також замініть частини, які тріснули, викривлені, зігнуті або будь-яким чином пошкоджені.

⚠ ПОПЕРЕДЖЕННЯ. Завжди слід носити рукавички під час кріплення щитка або обслуговування леза. Остерігайтеся леза та захистіть руку від травм.

Після кожного використання очистьте інструмент.

⚠ ЗАСТЕРЕЖЕННЯ. Засмічення вентиляційних отворів перешкоджає проникненню повітря в корпус мотора і може призвести до перегріву або пошкодження мотора.

- Чистьте тільки м'яким милом і вологою ганчіркою. Ніколи не допускайте потрапляння рідини всередину інструмента; ніколи не занурюйте будь-яку частину інструмента в рідину.
- Завжди оберегайте вентиляційні отвори в корпусі мотора від сміття.

ОБСЛУГОВУВАННЯ

⚠ ПОПЕРЕДЖЕННЯ. Використовуйте для технічного обслуговування лише ідентичні запчастини. Регулярно оглядайте інструмент і виконуйте його обслуговування. Для гарантування безпеки та надійності всі ремонтні роботи повинні проводити кваліфікований технічний спеціаліст.

⚠ ПОПЕРЕДЖЕННЯ. Акумуляторні інструменти не потрібно підключати до електричної розетки; отже, вони завжди в робочому стані. Щоб запобігти серйозному травмуванню, вживайте додаткових заходів та будьте обережні під час технічного обслуговування або зміни різального обладнання чи інших пристосувань.

⚠ ПОПЕРЕДЖЕННЯ. Щоб запобігти серйозним травмам, вийміть акумуляторну батарею з інструмента перед обслуговуванням, очищенням, заміною насадок або видаленням матеріалу з пристрою.

ЗАМІНА ЛЕЗА РОТАЦІЙНОЇ КОСАРКИ

⚠ ПОПЕРЕДЖЕННЯ. Якщо леза не закріплені щільно після того, як вони зафіксовані на місці, або леза сильно зношені, негайно замініть їх. Ніколи не використовуйте інструмент із незакріпленим або неефективним ріжучим пристроєм.

Ознайомлення з головою РОТАЦІЙНОЇ КОСАРКИ, показаної на рис. D1.

D-1	Ковпачок вала	D-5	Шайба
D-2	Верхнє лезо	D-6	Ковзна чаша
D-3	Нижнє лезо	D-7	Гайка
D-4	Опорний ковпачок		

1. Поставте корпус редуктора головки РОТАЦІЙНОЇ КОСАРКИ на тверду поверхню. Затисніть верхнє та нижнє леза за допомогою плоскогубців або лещат, потім за допомогою гайкового ключа ослабте гайку (рис. D2).
2. Зніміть гайку, ковзну чашу, шайбу, опорний ковпачок, нижнє лезо, верхнє лезо та ковпачок вала у тій послідовності, яка показана на рис. D1.
3. Перш ніж установлювати нові леза, установіть на вал ковпачок вала (рис. D3). Помістіть верхнє лезо з великим шестикутним отвором на вал так, щоб поверхня з надруктованим логотипом «EGO» була звернута до корпусу редуктора (рис. D4), потім надіньте нижнє лезо з невеликим шестикутним отвором на вал поверхнею, на якій надруктовано логотип «EGO». зверненою до оператора (рис. D5).

ПРИМІТКА. Переконайтеся, що шестикутні отвори на лезах і шестигранне плече вала розташовані на місці. В іншому разі, коли леза встановлені у зворотному порядку, РОТАЦІЙНА КОСАРКА не зможе працювати правильно й пошкодить леза.

4. Дотримуйтесь послідовності, показаній на рис. D1, щоб зібрати їх.

ЗМАЩУВАННЯ КОРПУСУ РЕДУКТОРА

Для кращої експлуатації та більш тривалого терміну служби змащуйте корпус редуктора спеціальним мастилом (4–5 г щоразу) кожні 50 годин роботи.

Спеціальне мастило має відповідати зазначеним далі вимогам.

1. Відповідність стандарту DIN51818: ступінь проникнення конуса NLGI-1.
2. Мастило на основі ефіру.
3. Властивості відмінного низькотемпературного запуску, протизадирні властивості, стійкість до механічного розривання, стирання та окислення.
4. Робоча температура має бути в межах від -40°C до +180°C. Зніміть герметичний гвинт. Заповніть мастило в редуктор через отвір для мастила.

⚠ ПОПЕРЕДЖЕННЯ. Не змащуйте інструмент, коли він під'єднаний до акумулятора або працює.

ОЧИЩЕННЯ ПРИЛАДУ

- Очистьте прилад вологою ганчіркою з м'яким миючим засобом.
- Не використовуйте сильні миючі засоби на пластиковому корпусі або ручці. Вони можуть бути пошкоджені деякими ароматичними маслами, наприклад хвойним і лимонним, а також розчинниками, такими як гас. Вологість також може становити небезпеку удару. Обережно протріть вологу м'якою сухою тканиною.

ЗБЕРІГАННЯ ПРИЛАДУ

- Від'єднайте акумулятор від інструмента, коли він не використовується.
- Перед зберіганням інструмент необхідно ретельно очистити.
- Зберігайте пристрій у сухому, добре вентильованому, закритому або високо розташованому недоступному для дітей місці. Не зберігайте пристрій біля мінеральних добрив, бензину та інших хімікатів.
- Використовуйте транспортувальний чохол для металевих лез під час транспортування та зберігання.

Захист довкілля



WEEE (відходи електричного та електронного устаткування)

Не викидайте електричне обладнання, акумулятор і зарядний пристрій у побутові відходи! Віднесіть цей виріб авторизованому переробнику й надайте його для роздільного збирання. Електроінструменти необхідно повернути в підприємство, що займається екологічно безпечною переробкою.

УСУНЕННЯ НЕСПРАВНОСТЕЙ

НЕСПРАВНІСТЬ	ПРИЧИНА	ВИРІШЕННЯ
РОТАЦІЙНА КОСАРКА не запускається.	<ul style="list-style-type: none"> ■ Акумуляторна батарея не приєднана до приводної головки належним чином. ■ Акумуляторна батарея розряджена. ■ Важіль блокування та тригер не натиснуто одночасно. 	<ul style="list-style-type: none"> ■ Під'єднайте акумулятор до приводної головки. ■ Заряджайте акумулятор зарядним пристроєм EGO, зазначеним у цьому посібнику. ■ Натисніть важіль блокування та утримуйте його, а потім натисніть на тригер, щоб увімкнути пристрій.
РОТАЦІЙНА КОСАРКА зупиняється під час різання.	<ul style="list-style-type: none"> ■ Мотор перевантажено. ■ Акумулятор занадто гарячий. ■ Акумулятор від'єднано від інструмента 	<ul style="list-style-type: none"> ■ Мотор відновить роботу, коли навантаження буде усунуто. Для безперервної роботи зменште навантаження на РОТАЦІЙНУ КОСАРКУ та уникайте глибокого різання; натомість поступово збільшуйте глибину. ■ Дайте акумуляторній батареї охолонути природним чином або продуйте повітрям, щоб прискорити охолодження. ■ Під'єднайте акумуляторну батарею.

ГАРАНТІЯ

ПРАВИЛА ГАРАНТІЇ EGO

Відвідайте веб-сайт egopowerplus.com для отримання повного тексту умов гарантійної політики EGO.

UK

ПРОЧЕТЕТЕ ВСИЧКИ ИНСТРУКЦИИ!



ПРОЧЕТЕТЕ РЪКОВОДСТВОТО НА ОПЕРАТОРА

⚠️ Остатъчен риск! Хора с електронни устройства, като пейсмейкър трябва да се консултират с лекуващия(те) си лекар(и) преди употреба на този продукт. Работата с електрическо оборудване в непосредствена близост до сърдечен пейсмейкър може да предизвика смущение или неизправност на пейсмейкъра.

⚠️ ПРЕДУПРЕЖДЕНИЕ: За да осигурите безопасността и надеждността, всички поправки и подмени трябва да се извършват от квалифициран сервизен техник.

СИМВОЛ ЗА БЕЗОПАСНОСТ

Целта на символите за безопасност е да привличат вниманието към възможни опасности. Символите за безопасност и обясненията към тях заслужават вашето повишено внимание и осъзнаване. Символите за безопасност сами по себе си не елиминират каквато и да е опасност. Инструкциите и предупрежденията, които предоставят не са заместители за подходящите мерки за предотвратяване на инцидент.

⚠️ ПРЕДУПРЕЖДЕНИЕ: Уверете се, че сте прочели и осъзнали всички инструкции за безопасност в това Ръководство на оператора, включително всички известяващи символи за безопасност, като **“ОПАСНОСТ,”** **“ПРЕДУПРЕЖДЕНИЕ,”** и **“ВНИМАНИЕ”** преди да използвате този инструмент. Неспазването на всички инструкции изброени долу може да доведе до електрически шок, пожар и/или сериозно нараняване.

ЗНАЧЕНИЕ НА СИМВОЛИТЕ

⚠️ СИМВОЛ СИГНАЛИЗИРАЩ ЗА БЕЗОПАСНОСТ: Означават **ОПАСНОСТ,** **ПРЕДУПРЕЖДЕНИЕ** ИЛИ **ВНИМАНИЕ,** може да бъде използван във връзка с други символи или пиктограми.

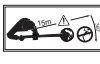





⚠️ ПРЕДУПРЕЖДЕНИЕ: Експлоатацията на всички електрически инструменти, може да доведе до изхвърляне на чужди предмети към вашите очи, което може да доведе до сериозно нараняване на очите. Преди започване на работа с електрически инструмент, винаги носете предпазни очила със странична защита и визьор за цялото лице, когато е необходимо. Ние препоръчваме предпазна маска с широк визьор за употреба над очила или стандартни предпазни очила със странична защита.

ИНСТРУКЦИИ ЗА БЕЗОПАСНОСТ

Тази страница изобразява и описва символите за безопасност, които може да се появят по този продукт. Прочетете, осъзнайте и следвайте всички инструкции по машината преди предприемане на сглобяване и работа.

	Сигнал за безопасност	Предпазни мерки, които засягат Вашата безопасност.
	Прочетете ръководството на оператора	За намаляване на опасността от нараняване, потребителят трябва да прочете и разбере ръководството на оператора преди използването на този продукт.
	Носете защита за очите	Винаги носете предпазни очила със странична защита и предпазен екран за цялото лице, когато работите с този продукт.
	Носете защита за слуха	Винаги носете защита за слуха, когато работите с този продукт.
	Носете защита за главата	Носете одобрена предпазна каска с твърдо бомбе за да предпазите главата.
	Носете защитни ръкавици	Защитете ръцете си с ръкавици, когато боравите с ножа или предпазителя на ножа.
	Носете предпазни ръкавици	Носете неплъзгащи се обувки за безопасност, когато използвате това оборудване.
	Пазете се от тласкане на ножа	Предупредете оператора за опасност от тласкане на ножа.
	Дръжте околните хора надалеч поради рикошет	Изхвърлените обекти могат да рикошират и да доведат до нараняване или щети по собствеността. Уверете се, че други хора и домашни любимци спазват достатъчно разстояние от хралостреза, когато го използвате.

BG

	Дръжте околните хора надалеч	Уверете се, че други хора и домашни любимци спазват поне 15 м разстояние от тримера, когато го използвате.
	Без кръгли нож	Не монтирайте кръгли режещи ножове.
	WEEE	Отпадъчните електрически продукти не трябва да бъдат изхвърляни заедно с домакинския отпадък. Отнесете го до упълномощено място за рециклиране.
	Шум	Гарантирано ниво на мощност на звука. Звуковите емисии към околната среда са в съответствие с директивите на европейската общност.
	CE	Този продукт е в съответствие с приложимите директиви на ЕС.
V	Волт	Напрежение
n_0	Скорост без натоварване	Скорост на въртене без товар
min^{-1}	В минута	Обороти в минута
	Постоянен ток	Вид или характеристика на тока
kg	Килограм	Тегло

ВАЖНИ ИНСТРУКЦИИ ЗА БЕЗОПАСНОСТ

▲ ПРЕДУПРЕЖДЕНИЕ: Прочетете всички предупреждения за безопасност, инструкции, илюстрации и спецификации предоставени с този електрически инструмент. Неспазването на всички инструкции изброени долу може да доведе до токов удар, пожар и/или сериозно нараняване.

Запазете всички предупреждения и инструкции за бъдеща справка.

- Избягвайте опасни среди - не използвайте ел. уреди във влажни или мокри места.

- Дръжте предпазителите по местата им в работно състояние.
- Дръжте ръцете и краката далеч от зоната на рязане.
- За да намалите риска от нараняване, никога не работете на стълба или на някаква друга несигурна опора. Никога не дръжте режещия блок над нивото на талията.
- Проверявайте режещия блок на чести кратки интервали по време на работа или незабавно, ако има забележима промяна в поведението при рязане.
- За най-добри резултати, вашата акумулаторна батерия трябва да се зарежда на място, където температурата е по-висока от 5°C и по-ниска от 40°C. Не я съхранявайте на открито или в превозни средства.
- Ако бъдете приближен от човек, спрете мотора и режещия блок.
- Предупредете оператора за опасност от тласкане на ножа.
- Тласкане на ножа може да се получи, когато въртящият се нож, влезе в контакт с предмет, който не може да отреже незабавно.
- Тласкането на ножа може да бъде достатъчно силно за да причини уредът и/или операторът да бъдат изхвърлени на всяка посока и вероятно да се загуби контрол върху уреда.
- Тласкането на ножа може да се случи без предупреждение, ако ножът се блъсне, заседне или се заклепчи.
- Тласкането на ножа е по вероятно да се случи в зона, където е трудно да видите рязания материал.
- Не закачайте нож на уред, без правилно монтиране на всички необходими части. Неспазването за употреба на правилни части, може да причини излитане на ножа и сериозно да нарани оператора и/или околното стоящите. Изхвърлете от употреба ножове, които са огнати, деформирани, напукани, счупени или повредени по друг начин. Използвайте остър нож. Затъпен нож е по вероятно да се заклепчи и тласне.
- Движещ се по инерция нож/корда, може да причини нараняване, тъй като продължава да се върти след като моторът е спрял или спусъкът е освободен. Упражнявайте правилен контрол, докато ножът/кордата напълно спре да се върти.

BG

- Инструментите с батерия не трябва да бъдат закачени към електрически контакт, поради това те винаги са в работно състояние. Бъдете подготвени за възможни опасности, дори когато инструментът не работи. Бъдете внимателни, когато извършвате поддръжка или обслужване.
- Не измивайте с маркуч, избягвайте попадане на вода в мотора и електрическите връзки.
- Ако настъпят събития, които не са засегнати в това ръководство, бъдете предпазливи и използвайте добра преценка. Свържете се с сервизния потребителски център на EGO за помощ.

ЗАПАЗЕТЕ ТЕЗИ ИНСТРУКЦИИ!

СПЕЦИФИКАЦИИ

Скорост без натоварване	До 450/мин		
Режещо острие	ABR2300		
Препоръчителна работна температура	0°C-40°C		
Препоръчителна температура на съхранение	-20°C-70°C		
Оптимална температура на зареждане	5°C-40°C		
Тегло	1,9 кг		
Измерено ниво на сила на звука L_{WA}	96,1 dB(A) K = 3,8 dB (A)		
Ниво на звуково налягане при ухото на оператора L_{PA}	83,2 dB(A) K = 2,5 dB(A)		
Гарантирано ниво на сила на звука L_{WA} (измерено съгласно 2000/14/EC)	100 dB(A)		
Оценка на вибрации $a_{h,v}$:	Machine	C STX3800	C BCX3800
	Лява ръкохватка	0,7 m/s ²	0,6 m/s ²
	Дясна ръкохватка	K = 1,5 m/s ²	K = 1,5 m/s ²

- Декларираният общ размер на вибрации е измерен в съответствие със стандартния метод за тест и може да бъде използван за сравнение между два

инструмента;

- Декларираният общ размер на вибрации може също така да бъде използван за предварителна оценка на влиянието.

БЕЛЕЖКА: Вибрационните емисии по време на действителната употреба на електрическия инструмент може да се различава от декларираната стойност. С цел да се защити оператора, потребителят трябва да носи ръкавици и антифони в действителни условия на работа.

ОПИСАНИЕ

ЗАПОЗНАЙТЕ СЕ СЪС СВОЯТА ПРИСТАВКА ROTOCUT (Фиг. А)

1. Уплътняващ винт
2. Предавателна кутия
3. Нож
4. Капак за ножа
5. Предпазител комплект
6. Гаечен ключ
7. Ключ за вътрешен шестостен
8. Втулка (За употреба само с тръба с диаметър 25 мм)

ОПАКОВЪЧЕН ЛИСТ

ИМЕ НА ЧАСТ	БРОЙ
ROTOCUT	1
Предпазител комплект	1
Гаечен ключ	1
Ключ за вътрешен шестостен	1
Втулка	1
Ръководство на оператора	1

МОНТАЖ

▲ ПРЕДУПРЕЖДЕНИЕ: Ако някои от частите са повредени или липсват, не работете с този продукт, докато частите не се подменят. Използването на този продукт с повредени или липсващи части може да доведе до сериозно лично нараняване.

▲ ПРЕДУПРЕЖДЕНИЕ: Не се опитвайте да модифицирате този продукт или да създадете аксесоари, които не се препоръчват за употреба с тази машина. Всяка такава промяна или модификация е злоупотреба и може да доведе до опасни условия с последици от възможни сериозни наранявания.

BG

▲ ПРЕДУПРЕЖДЕНИЕ: За да предотвратите случайно стартиране, което може да причини сериозно винаги изваждайте конектора на акумулаторната батерия от контакта, когато сглобявате частите.

СМЯНА НА ТРИМЕРНАТА ГЛАВА С ГЛАВА ROTOCUT

1. Задръжте своя кордов тример/хросторез и използвайте ключ за вътрешен шестостен, за да отстраните предпазителя на тримера, тримерната глава и корпуса на редуктора от задвижващия вал (Фиг. В1-В3). Задвижващият вал ще бъде използван за монтирането на ROTOCUT по-късно.
2. Извадете ROTOCUT от опаковката, разхлабете двата винта 1# и ги задръжте на фиксиращата плоча, разхлабете и отстранете винта 2# от фиксиращата плоча. (Фиг. В4)

В-1	Винт 1#	В-3	Фиксираща плоча
В-2	Винт 2#		

3. След това вкарайте главата ROTOCUT върху задвижващия вал демонтиран в стъпка 1 като се уверите, че отворът за винта В-2 е подравнен с отвора на задвижващия вал (Фиг. В5).
4. Вкарайте първо винта В-2 и го затегнете и след това затегнете двата винта на В-1 (Фиг. В6).
5. Извадете предпазителя ROTOCUT от неговата опаковка и разхлабете двата болта в предпазителя. Демонтирайте и съхранете двата болта и пружинните шайби от предпазителя (Фиг. В7).
6. Вдигнете главата ROTOCUT и я насочете надолу, подравнете двата монтажни отвора в предпазителя с двата отвора за сглобяване във фиксиращата плоча на ROTOCUT. Уверете се, че посоката на предпазителя е както е показано на илюстрацията по-долу, дъговидната форма е около режещите зъби. (Фиг. В8)
7. Използвайте ключа за вътрешен шестостен, за да фиксирате предпазителя на място.
8. Демонтирайте капака за ножа от ножа по време на работа.

ЕКСПЛОАТАЦИЯ

▲ ПРЕДУПРЕЖДЕНИЕ: Не позволявайте рутината с този продукт да ви направи непредпазливи. Запомнете, че невнимание за малка част от секундата е достатъчна за да нанесе сериозно нараняване.

▲ ПРЕДУПРЕЖДЕНИЕ: Винаги носете защита за очите заедно със защита за слуха. Ако не го направите може да доведе до изхвърляне на предмети към очите ви и други възможни сериозни наранявания.

▲ ПРЕДУПРЕЖДЕНИЕ: Не използвайте други приставки или аксесоари, които не са препоръчани от производителя на този продукт. Употребата на приставки или аксесоари, които не са препоръчани, може да доведе до сериозно нараняване.

▲ ПРЕДУПРЕЖДЕНИЕ: За да предотвратите сериозно нараняване, разкачвайте захранването на батерията от инструмента, преди обслужване, почистване, смяна на приставките или изваждане на материал от устройството.

Може да използвате този продукт за целите описани долу:

Рязане: използва се за косене на трева около колове или направляващи релси, ръбове на стени, пътни извивки, огради в движещ се трафик или подрязване на растителността на паркинги.

БЕЛЕЖКА: Когато използвате ROTOCUT се уверете, че няма да бъдат изхвърлени чужди предмети, което създава **големи опасности:** счупени стъкла, назъбени каросерии на автомобили, счупени огради, разкъсана кора на дървета или нараняване на хора.

ЗА СВЪРЗВАНЕ/РАЗКАЧВАНЕ НА ЗАХРАНВАНЕТО НА БАТЕРИЯТА (ФИГ. С)

Заредете напълно преди първата употреба.

Подравнете ▲ на щепсела с ▲ на машината. Въмъкнете щепсела в инструмента, докато зеленото уплътнение напълно излезне в контакта.

За разкачване на захранването на батерията просто извадете щепсела от контакта като го хванете и издърпате назад.

ПУСКАНЕ/СПИРАНЕ НА ИНСТРУМЕНТА (ЗА STX3800 И ВСX3800)

Вижте раздела “СТАРТИРАНЕ/СПИРАНЕ НА КОРДОВИЯ ТРИМЕР/ХРОСТОРЕЗА в ръководството на оператора на STX3800/ ВСX3800.

BG

ИЗПОЛЗВАНЕ НА ИНСТРУМЕНТА

⚠ ПРЕДУПРЕЖДЕНИЕ: За да избегнете сериозно нараняване, носете предпазни очила по всяко време, когато работите с този уред. Носете маска за лицето или прахова маска при запрашени места.

Почистете зоната, която трябва да бъде подрязана преди всяка употреба. Почистете всички обекти, като камъни, счупени стъкла, пирони, кабели или въжета, които могат да бъдат изхвърлени или да се оплетат в приставката за рязане. Изчистете зоната от деца, околни хора или домашни любимци. Като минимум дръжте всички деца, околни хора и домашни любимци минимум на 15 м разстояние, въпреки това пак може да съществува риск за околните от изхвърлени обекти. Околните наблюдатели трябва да бъдат насърчени да носят защита за очите. Ако бъдете приближен от човек спрете незабавно мотора и приставката за рязане.

Преди всяка употреба проверявайте за повредени/износени части

Проверете главата на ROTOCUT, предпазителя и затворената ръкохватка и подменете всички части, които са напукани, деформирани, изкривени или повредени по някакъв начин.

⚠ ПРЕДУПРЕЖДЕНИЕ: Винаги носете ръкавици, когато монтирате предпазителя или обслужвате ножа. Внимавайте за ножа и защитете своята ръка от порязване.

След всяка употреба почистете инструмента.

⚠ ВНИМАНИЕ: Запушвания на вентилационните отвори ще предотвратят навлизане на въздух във корпуса на мотора и ще доведат до прегряване или повреда на мотора.

- Използвайте единствено мек сапун и влажна кърпа за да почистите инструмента. Никога не позволявайте каквато и да е течност да навлезе вътре в инструмента, никога не потапяйте някоя част от инструмента във вода.
- По всяко време пазете вентилационните отвори в корпуса на мотора от отпадъци.

BG

ПОДДРЪЖКА

⚠ ПРЕДУПРЕЖДЕНИЕ: Когато обслужвате, използвайте само идентични резервни части. Проверявайте и поддържайте инструмента редовно. За да осигурите безопасността и надеждността, всички поправки трябва да се извършват от квалифициран сервизен техник.

⚠ ПРЕДУПРЕЖДЕНИЕ: Инструментите с батерия не трябва да бъдат закачени към електрически контакт, поради това те винаги са в работно състояние. За да предотвратите сериозно нараняване вземете допълнителни предпазни мерки и грижи, когато извършвате поддръжка, обслужване или при смяна на режещите или други приставки.

⚠ ПРЕДУПРЕЖДЕНИЕ: За да предотвратите сериозно нараняване, извадете акумулаторната батерия от инструмента, преди обслужване, почистване, смяна на добавящи се приставки или изваждане на материал от устройството.

ПОДМЯНА НА НОЖА ROTOCUT

⚠ ПРЕДУПРЕЖДЕНИЕ: Ако ножовете се разхлабят след като са фиксирани в позицията или ножовете са силно износени, заменете ножовете незабавно. Никога не използвайте инструмент с разхлабена или неефективна приставка за рязане.

Запознайте се с главата ROTOCUT, както е показано на Фиг. D1.

D-1	Чаша на вала	D-5	Шайба
D-2	Горен нож	D-6	Плъзгача се купа
D-3	Долен нож	D-7	Гайка
D-4	Опорна чаша		

1. Поставете предавателната кутия на главата ROTOCUT върху твърда повърхност за опора. Затегнете горния и долния ножове с клещи или в менгеме, след което използвайте гаечния ключ, за да развиете гайката (Фиг. D2).
2. Отстранете гайката, плъзгачата се купа, шайбата, опорната чаша, долния нож, горния нож и чашата на вала последователно, както е показано на Фиг. D1.
3. Преди инсталиране на новите ножове поставете чашата на вала върху вала (Фиг. D3). Поставете горния нож с големия шестостенен отвор върху вала с повърхност с отпечатано лого „EGO“ насочена към предавателната кутия (Фиг. D4), след това поставете долния нож с малкия шестостенен отвор върху вала с повърхност с отпечатано лого „EGO“ насочена към оператора (Фиг. D5).

БЕЛЕЖКА: Уверете се, че шестостенните отвори на ножовете и шестостенното рамо на вала са на място. В противен случай, ако ножовете са монтирани обратно, ROTOCUT не може да работи правилно и ще повреди ножовете.

4. Следвайте последователността показана на Фиг. D1, за да ги сглобите отново

СМАЗВАНЕ НА ПРЕДАВАТЕЛНАТА КУТИЯ

За най-добра работа и по-дълъг живот, смазвайте предавателната кутия със специална грес (4 -5 g всеки път) след всеки 50 часа работа.

Специалната грес трябва да отговаря на следните изисквания.

1. Съответствие с DIN51818: NLGI-1 степен на проникване на конус.
2. Грес на естерна основа.
3. Отлични нискотемпературни стартови качества, EP, механично срязване, устойчивост на абразия и стабилност на окисляване.
4. Работната температура трябва да бъде -40°C~180°C. Отстранете уплътняващия винт. Напълнете грес в предавателната кутия през отвора за смазка.

⚠ ПРЕДУПРЕЖДЕНИЕ: Не смазвайте, докато инструментът е все още свързан с батерията или работи.

ПОЧИСТВАНЕ НА УРЕДА

- Почистете уреда използвайки влажна кърпа и мек почистващ препарат.
- Не използвайте силен почистващ препарат по пластмасата на корпуса или ръкохватката. Те могат да бъдат повредени от определени ароматни масла като бор и лимон и от разтворители като керосин. Влагата също може да причини токов удар. Избършете всякаква влага със суха мека кърпа.

СЪХРАНЯВАНЕ НА УРЕДА

- Разкачете акумулаторната батерия от инструмента, когато не е в употреба.
- Почистете изцяло инструмента преди да го съхраните.
- Съхранете уреда в сухо място с добра вентилация, заключен или съхраняван на високо извън достъпа на деца. Не съхранявайте уреда в близост или върху тор, бензин или други химикали.
- Използвайте транспортен капак за металните остриета по време на транспортиране и съхранение.

Опазване на околната среда



WEEE (Отпадъци от електрическо и електронно оборудване)

Не изхвърляйте електрическо оборудване, използвана батерия или зарядно устройство в домакинския отпадък! Отнесете продукта до упълномощена фирма за рециклиране и го предоставете за разделно събиране. Електрическите инструменти трябва да бъдат връщани в съоръжения за рециклиране съвместими с околната среда.

ОТСТРАНЯВАНЕ НА ПРОБЛЕМИ

ПРОБЛЕМ	ПРИЧИНА	РЕШЕНИЕ
ROTOCUT не може да стартира.	<ul style="list-style-type: none">■ Акумулаторната батерия не е свързана към захранващата глава.■ Акумулаторната батерия е изтощена.■ Лостът за отключване и спусъкът не са натиснати едновременно.	<ul style="list-style-type: none">■ Свържете акумулаторната батерия към захранващата глава.■ Заредете акумулаторната батерия със зарядно устройство EGO посочено в това ръководство.■ Натиснете и задръжте лоста за отключване и след това натиснете спусъка за да включите уреда.
ROTOCUT спира по време на рязане.	<ul style="list-style-type: none">■ Моторът е претоварен.■ Акумулаторната батерия е твърде гореща.■ Акумулаторната батерия е разединена от инструмента	<ul style="list-style-type: none">■ Моторът ще се възстанови, когато натоварването е отстранено. За непрекъсната работа намалете натоварването на RTOCUT и избягвайте дълбоко рязане, вместо това правете постепенно по-дълбоки нарязи.■ Оставете акумулаторната батерия да се охлади естествено или я продухайте с въздух, за да ускорите охлаждането.■ Свържете отново акумулаторната батерия.

ГАРАНЦИЯ**ГАРАНЦИОННА ПОЛИТИКА EGO**

Моля, посетете уебсайта egopowerplus.com за пълните срокове и условия по гаранционната политика на EGO.

PROČITAJTE UPUTE U CIJELOSTI!



PROČITAJTE PRIRUČNIK ZA RUKOVATELJE.

⚠ Preostale opasnosti! Osobe s elektroničkim uređajima poput srčanih elektrostimulatora prije uporabe ovog proizvoda trebaju se posavjetovati sa svojim liječnikom. Rad električne opreme u neposrednoj blizini srčanih elektrostimulatora može prouzročiti smetnju ili kvar srčanog elektrostimulatora.

⚠ UPOZORENJE: Zbog sigurnosti i pouzdanosti, sve popravke treba obavljati kvalificirani servisni tehničar.

SIGURNOSNI SIMBOL

Svrha sigurnosnih simbola je skretanje pozornosti na moguće opasnosti. Sigurnosni simboli i njihova objašnjenja zahtijevaju vašu potpunu pozornost i razumijevanje. Sami simboli upozorenja ne isključuju opasnost. Upute i upozorenja koja pružaju nisu zamjena za propisne mjere za prevenciju nesreća.

⚠ UPOZORENJE! Prije uporabe ovog alata pobrinite se da sve upute u ovom korisničkom priručniku, uključujući sve sigurnosne simbole kao što su “**OPASNOST**”, “**UPOZORENJE**” i “**OPREZ**” pročitate s razumijevanjem. Zanemarivanje svih uputa navedenih u nastavku može rezultirati strujnim udarom, požarom i/ili teškim tjelesnim ozljedama.

NZNAČENJE SIMBOLA

⚠ SIMBOL UPOZORENJA U VEZI SIGURNOSTI: Naznačuje **OPASNOST**, **UPOZORENJE** ili **OPREZ** i može se upotrebljavati povezan s drugim simbolima ili piktogramima.

⚠ UPOZORENJE: Rukovanje električnim alatima može rezultirati odbacivanjem stranih predmeta u oči što opet može izazvati teška oštećenja očiju. Prije početka rukovanja električnim alatom nosite zatvorene zaštitne naočale ili zaštitne naočale s bočnim štيتnicima, a prema potrebi i štيتnik za cijelo lice. Preporučujemo nošenje sigurnosne maske proizvođača Wide Vision preko naočala, ili nošenje standardnih zaštitnih naočala s bočnim štيتnicima.

SIGURNOSNE UPUTE

Na ovoj stranici slikovno su prikazani i objašnjeni sigurnosni simboli koji se mogu pojaviti na ovom proizvodu. Prije pokušaja sastavljanja i rukovanja s razumijevanjem pročitajte sve upute na stroju i pridržavajte ih se.

	Sigurnosno upozorenje	Mjere opreza koje se odnose na vašu sigurnost.
	Pročitajte korisnički priručnik	Radi smanjenja opasnosti od ozljeda, prije uporabe ovog proizvoda korisnik treba s razumijevanjem pročitati ovaj korisnički priručnik.
	Nosite zaštitu za oči.	Kada rukujete ovim proizvodom, uvijek nosite zatvorene zaštitne naočale ili zaštitne naočale s bočnim štيتnicima i štيتnik za cijelo lice.
	Nosite zaštitu za sluh.	Kada upotrebljavate proizvod, nosite zaštitu za sluh.
	Nosite zaštitu za glavu.	Radi zaštite glave nosite odobrenu sigurnosnu kacigu.
	Nosite zaštitne rukavice.	Kada rukujete nožem ili štيتnikom noža zaštitite ruke rukavicama.
	Nosite sigurnosnu obuću.	Kada koristite ovu opremu nosite neklizajuću sigurnosnu obuću.
	Čuvajte se povratnog udara noža.	Upozorite rukovatelja na opasnost od povratnog udara noža.
	Opasnost od povratnog udara! Promatrače držite na udaljenosti.	Odbačeni predmeti mogu odskočiti i rezultirati tjelesnim ozljedama ili materijalnom štetom. Pobrinite se da druge osobe i kućni ljubimci ostanu podalje od obrezivača gmlja kada je u uporabi.
	Promatrače držite na udaljenosti.	Pobrinite se da druge osobe i kućni ljubimci ostanu najmanje 15 m udaljeni od šišača trave s reznom niti kada je u uporabi.
	Ne koristite okrugle noževe.	Ne postavljajte okrugle rezne noževe.
	OEE0	Otpadni električni proizvodi ne smiju se odlagati s otpadom iz kućanstva. Odnosite ih u ovlašteni centar za reciklažu.

	Buka	Zajamčena razina zvučne snage. Emisija buke u okruženju u skladu je s direktivom Europske unije.
	CE	Ovaj proizvod je u skladu s važećim direktivama EU.
V	Volt	Napon
n_0	Brzina bez opterećenja	Brzina vrtnje u praznom hodu
min^{-1}	U minuti	Okretaji u minuti
	Istosmjerna struja	Vrsta ili karakteristike struje
kg	Kilogram	Masa

VAŽNE UPUTE U VEZI SIGURNOSTI

⚠ UPOZORENJE: Pročitajte sva upozorenja, upute, ilustracije u vezi sigurnosti i tehničke podatke isporučene s ovim električnim alatom. Zanemarivanje svih uputa navedenih u nastavku može rezultirati strujnim udarom, požarom i/ili teškim ozljedama.

Sačuvajte sva upozorenja i sve upute za buduće potrebe.

- Izbjegavajte opasna okruženja – ne upotrebljavajte uređaje na vlažnom ili mokrom nagibu.
- Održavajte štitnike na njihovom mjestu i u radnom stanju.
- Ruke i stopala držite dalje od područja rezanja.
- Radi smanjenja opasnosti od ozljeda, nikada ne radite na ljestvama ili na nekoj drugoj nesigurnoj podlozi. Rezni priključak ne držite na visini iznad struka.
- Rezni priključak tijekom rada redovito provjeravajte u kratkim intervalima ili odmah ako uočite primjetnu promjenu u načinu rezanja.
- Za najbolje rezultate bateriju je potrebno puniti na mjestu gdje je temperatura viša od 5°C i niža od 40°C. Nemojte čuvati na otvorenom prostoru ili u vozilima.
- Ako vam netko pride, zaustavite motor i rezni priključak.
- Upozorite rukovatelja na opasnost od povratnog udara noža.

- Povratni udar noža može se dogoditi kada rotirajuća oštrica dođe u doticaj s predmetom kojeg ne može odmah odrezati.
- Povratni udar noža može biti dovoljno silovit da rezultira odbacivanjem jedinice i/ili rukovatelja u bilo kojem smjeru i mogućim gubitkom kontrole nad jedinicom.
- Povratni udar noža može se dogoditi bez upozorenja ako oštrica zapne, ako blokira ili se zaglavi.
- Povratni udar noža prije će se dogoditi u područjima gdje je teško vidjeti materijal koji se reže.
- **Ne pričvršćujte nož na jedinicu bez propisnog postavljanja svih potrebnih dijelova. Zanemarivanje uporabe odobrenih dijelova može rezultirati odbacivanjem noža i teškim ozljedama rukovatelja i/ili promatrača. Zbrinite noževe koji su svinuti, izobličeni, napuknuti, polomljeni ili oštećeni na bilo koji način. Kod tupog noža postoji veća vjerojatnost da će se zaglaviti i doći do povratnog udara.**
- Nož u praznom hodu može prouzročiti ozljede dok se još okreće nakon zaustavljanja motora ili otpuštanja aktivatora. Održavajte odgovarajuću kontrolu dok se nož u potpunosti ne zaustavi.
- Baterijske alate nije potrebno uključivati u električnu utičnicu, stoga su u radnom stanju. Imajte na umu moguće opasnosti čak i kada alat ne radi. Budite pažljivi pri obavljanju radova održavanja ili servisiranja.
- Uređaj ne perite s crijevom; izbjegavajte da voda dospije u motor i električne priključke.
- Ako se pojave situacije koje nisu obuhvaćene ovim priručnikom, postupite oprezno i uz dobru procjenu. Za pomoć se obratite centru korisničke službe proizvođača EGO.

SAČUVAJTE OVE UPUTE!

TEHNIČKI PODACI

Brzina bez opterećenja	do 450 o/min
Rezni nož	ABR2300
Preporučena radna temperatura	0 °C - 40 °C
Preporučena temperatura skladištenja	-20 °C - 70 °C
Optimalna temperatura punjenja	5 °C - 40 °C
Masa	1,9 kg
Izmjerena razina zvučne snage L_{WA}	96,1 dB(A) K= 3,8 dB(A)

Razina zvučnog tlaka kod uha rukovatelja L_{PA}		83,2 dB(A) K= 2,5 dB(A)	
Zajamčena razina zvučne snage L_{WA} (izmjereno sukladno Direktivi 2000/14/EZ)		100 dB(A)	
Procjena vibracija a_{hv} :	Stroj	Sa STX3800	S BCX3800
	Lijeva drška	0,7 m/s ²	0,6 m/s ²
	Desna drška	K=1,5 m/s ²	K=1,5 m/s ²

- Deklarirane ukupne vrijednosti vibracija izmjerene su u skladu sa standardnom metodom ispitivanja i mogu se koristiti za usporedbu jednog alata s drugim.
- Deklarirane ukupne vrijednosti vibracija mogu se koristiti i u preliminarnoj procjeni izloženosti.

NAPOMENA! Emisija vibracija tijekom aktualnog korištenja električnog alata može se razlikovati od deklarirane vrijednosti u kojoj se alat upotrebljavao; Radi zaštite rukovatelja korisnik treba nositi rukavice i štitnike za uši u aktualnim uvjetima uporabe.

OPIS

UPOZNAJTE KRUŽNI REZAČ (SI. A)

1. Vijak za brtvljenje
2. Kućište prijenosnika
3. Nož
4. Navlaka za nož
5. Sklop štitnika
6. Ključ
7. Imbus ključ
8. Čahura (Za korištenje s cjevčicom promjera 25 mm)

SADRŽAJ PAKIRANJA

NAZIV DIJELA	KOLIČINA
KRUŽNI REZAČ	1
Sklop štitnika	1
Ključ	1
Imbus ključ	1
Čahura	1
Korisnički priručnik	1

SASTAVLJANJE

⚠ UPOZORENJE: Ako je bilo koji dio oštećen ili nedostaje, nemojte koristiti proizvod dok se ne zamijene dijelovi. Korištenje proizvoda na kojemu nedostaju dijelovi ili su oštećeni može dovesti do ozbiljne tjelesne ozljede.

⚠ UPOZORENJE: Ne pokušavajte obavljati preinake na ovom proizvodu ili raditi pribor koji nije preporučen za uporabu s ovim strojem. Sve takve izmjene ili preinake predstavljaju nepropisnu uporabu i mogu rezultirati opasnim stanjima koja mogu dovesti do mogućih teških tjelesnih ozljeda.

⚠ UPOZORENJE: Da biste spriječili slučajno pokretanje koje bi moglo prouzročiti ozbiljne tjelesne ozljede, prilikom montaže dijelova iskopčajte utikač iz utičnice.

ZAMJENA GLAVE ŠIŠAČA S GLAVOM ZA KRUŽNI REZAČ

1. Držite šišač trave/obrezivač grmlja i pomoću imbus ključa skinite štitnik šišača, glavu šišača i kućište prijenosnika s vratila pogona (SI. B1-B3). Vratilo pogona će se koristiti kasnije kod sastavljanja glave za KRUŽNI REZAČ.
2. Izvadite KRUŽNI REZAČ iz pakiranja, olabavite dva vijka #1 i dok ih držite na ploči za pričvršćivanje olabavite i skinite vijak #2 iz ploče za pričvršćivanje. (SI. B4)

B-1	Vijak #1	B-3	Ploča za pričvršćivanje
B-2	Vijak #2		

3. I zatim umetnite KRUŽNI REZAČ glavu na vratilo pogona koje ste skinuli u 1. koraku i pobrinite se da je utor vijka B-2 u ravni s utorom na vratilu pogona (SI. B5).
4. Umetnite vijak B-2 i pritegnite ga i zatim pritegnite dva vijka iz B-1 (SI. B6).
5. Izvadite štitnik za KRUŽNI REZAČ iz pakiranja i olabavite dva vijka na štitniku. Izvadite i pripremite dva vijka i opružne podloške sa štitnika (SI. B7).
6. Podignite glavu za KRUŽNI REZAČ i usmjerite je prema dolje; poravnajte dvije montažne rupe u štitniku s dvije rupe na ploči KRUŽNOG REZAČA za pričvršćivanje. Pobrinite se da je štitnik usmjeren kao na slici dolje s lukom oko reznih zuba. (SI. B8).
7. Pričvrstite štitnik na mjesto pomoću imbus ključa.
8. Skinite navlaku za nož s noža tijekom rada.

RAD

⚠ UPOZORENJE: Nemojte biti nepažljivi jer ste upoznati s načinom rada proizvoda. Zapamtite da je samo jedan djelić sekunde nepažnje dovoljan za nastanak ozbiljne ozljede.

⚠ UPOZORENJE: Uvijek nosite zaštitu za oči i sluh. Nepostupanje u skladu s tim može rezultirati odbacivanjem predmeta u oči i drugim mogućim teškim ozljedama.

⚠ UPOZORENJE: Nemojte koristiti nikakve priključke ili pribor koje nije preporučio proizvođač ovog proizvoda. Uporaba priključaka ili pribora koji nije preporučen može dovesti do ozbiljnih tjelesnih ozljeda.

⚠ UPOZORENJE: Radi sprečavanja teških tjelesnih ozljeda, prije servisiranja, čišćenja, promjene priključaka ili uklanjanja materijala iz jedinice izvadite komplet baterija iz alata.

Proizvod možete koristiti za svrhe navedene u nastavku:

Rezanje: za rezanje trave oko ograda, rubova zidova, pločnika, ograda uz cestu ili vegetacije na parkirnim prostorima.

OBAVIJEST: Kada koristite KRUŽNI REZAČ, pobrinite se da se u blizini ne nalaze strani predmeti jer predstavljaju rizik od štete: razbijeni prozori, udubljenja na vozilima, potrgane ograde, rezovi na kori drva ili tjelesne ozljede.

ZA SPAJANJE/ODSPAJANJE BATERIJSKOG NAPAJANJA (SI. C)

Napunite do kraja prije prve uporabe.

Poravnajte ▲ utikača s ▲ na stroju. Umetnite utikač u alat tako da se zelena brtva ne vidi u utičnici.

Za odspajanje s baterijskog napajanja iskopčajte tako da primite i povučete prema nazad.

POKRETANJE/ZAUSTAVLJANJE ALATA (Za STX3800 i BCX3800)

Pogledajte poglavlje "POKRETANJE/ ZAUSTAVLJANJE REZAČA/ OBREZIVAČA GRMLJA" u korisničkom priručniku za STX3800/BCX3800.

HR

KORIŠTENJE ALATA:

⚠ UPOZORENJE: Kako biste izbjegli ozbiljne tjelesne ozljede, u svakom trenutku tijekom rada s ovim uređajem nosite zaštitne naočale ili sigurnosne naočale. U prašnjavim područjima nosite zaštitnu masku za lice ili masku za zaštitu od prašine.

Prije svake uporabe očistite radno područje. Uklonite sve predmete poput kamenja, razbijenog stakla, čavala, žica ili niti koje stroj može odbaciti ili koji se mogu zaplesti u rezni priključak. Iz područja udaljite djecu, promatrače i kućne ljubimce. Djecu, promatrače i kućne ljubimce udaljite najmanje 15 m; čak i tada postoji opasnost od odbačenih predmeta za promatrače. Promatrače potaknite da nose zaštitu za oči. Ako Vam netko prilazi, odmah zaustavite motor i rezni priključak.

Prije svake uporabe provjerite da nema oštećenih/istrošenih dijelova

Provjerite glavu za KRUŽNI REZAČ, štitnik i prednji rukohvat i zamijenite dijelove koji su napukli, deformirani, svinuti ili oštećeni na bilo koji način.

⚠ UPOZORENJE: Pri postavljanju štitnika ili servisiranju oštrice uvijek nosite rukavice. Pazite na oštricu i zaštitite ruke od porezotina.

Očistite alat nakon svake uporabe.

⚠ OPREZ! Prepreke u ventilacijskim otvorima sprječavaju da zrak struji u kućište motora što uzrokuje pregrijavanje ili oštećenje motora.

- Za čišćenje alata koristite samo blagi sapun i vlažnu krpu. Nemojte dopustiti da tekućina uđe u alat; ne uranjajte nijedan dio alata u tekućinu.
- Održavajte ventilacijske otvore kućišta motora u svakom trenutku bez nečistoća.

ODRŽAVANJE

⚠ UPOZORENJE: Pri servisiranju koristite samo identične zamjenske dijelove. Redovito obavljajte preglede i održavajte stroj. Radi sigurnosti i pouzdanosti sve popravke treba obavljati kvalificirani servisni tehničar.

⚠ UPOZORENJE: Baterijske alate nije potrebno uključivati u električnu utičnicu, stoga su u radnom stanju. Da biste spriječili ozbiljne tjelesne ozljede, poduzmite dodatne mjere opreza i brige prilikom održavanja, servisiranja ili mijenjanja priključaka za rezanje ili drugih priključaka.

⚠ UPOZORENJE: Radi sprečavanja teških tjelesnih ozljeda, prije servisiranja, čišćenja, promjene priključaka ili uklanjanja materijala iz uređaja izvadite komplet baterija iz alata.

ZAMJENA NOŽA KRUŽNOG REZAČA

⚠ UPOZORENJE: Ako se noževi olabave nakon pričvršćivanja na položaj ili ako se jako istroše, smjesta ih zamijenite. Nikad ne upotrebljavajte stroj ako je rezni priključak olabavljen ili ne reže dobro.

Proučite glavu za KRUŽNI REZAČ kako je prikazana na sl. D1.

D-1	Šalica vratila	D-5	Podloška
D-2	Gornji nož	D-6	Klizna posudica
D-3	Donji nož	D-7	Matica
D-4	Potporna šalica		

- Oslonite kućište prijenosnika glave za KRUŽNI REZAČ na čvrstu površinu. Klještima stegnite gornji i donji nož i zatim olabavite maticu pomoću ključa (Sl. D2).
- Izvadite maticu, kliznu posudicu, podlošku, potpurnu šalicu, donji nož, gornji nož i šalicu vratila redom kako je naznačeno na Sl. D1.
- Prije postavljanja novih noževa postavite šalicu vratila na vratilo (Sl. D3). Postavite gornji nož s velikom šesterokutnom rupom na vratilo tako da je logotip "EGO" usmjeren prema kućištu prijenosnika (Sl. D4), zatim postavite donji nož s manjom šesterokutnom rupom na vratilo tako da je logotip "EGO" usmjeren prema korisniku (Sl. D5).

OBAVIJEST: Pobrinite se da šesterokutne rupe na noževima i šesterokutno rame vratila budu postavljeni na odgovarajuće mjesto. Ako postavite noževe na pogrešan način, KRUŽNI REZAČ neće raditi ispravno i doći će do oštećenja noževa.

- Slijedite niz prikazan na Sl. D1 za ponovno sastavljanje.

PODMAŽITE KUĆIŠTE PRIJENOSNIKA

Za najbolji rad i duži vijek trajanja podmažite kućište prijenosnika posebnim mazivom (4-5 g svaki put) nakon svakih 50 sati rada.

Posebno mazivo bi trebalo zadovoljavati sljedeće uvjete.

- Pripadnost u DIN51818: NLGI-1 konični stupanj penetracije.
- Mazivo na bazi estera.
- Izvršna svojstva na nižim temperaturama, EP, mehaničko smicanje, abrazivna otpornost i svojstva oksidacijske stabilnosti.
- Radna temperatura mora iznositi -40 °C ~180 °C. Izvadite vijak za brtvljenje Namažite kućište prijenosnika kroz rupu za ulje.

⚠ UPOZORENJE: Nemojte podmazivati dok je na stroju spojena baterija ili je uključen.

ČIŠĆENJE UREDAJA

- Uređaj očistite vlažnom krpom i blagim deterdžentom.
- Za čišćenje plastičnog kućišta ili rukohvata ne koristite jake deterdžente. Mogu ih oštetiti neka aromatična ulja, kao što su borovo i limunovo ulje i otapala kao što je kerozin. Vлага može izazvati opasnost od strujnog udara. Vlažna mjesta obrišite mekanom suhom krpom.

SKLADIŠTENJE UREDAJA

- Ako ga ne koristite, uklonite bateriju iz alata.
- Prije skladištenja temeljito očistite alat.
- Uređaj skladištite na suhom, dobro prozračenom mjestu koje je moguće zaključati ili koje je na visini izvan dohvata djece. Uređaj nemojte pohranjivati na gnobjivima, benzinu ili drugim kemikalijama ili u njihovoj blizini.
- Koristite pokrov za metalne noževe tijekom prevoženja i skladištenja.

Zaštita okoliša



WEEE (električna i elektronička oprema koja više nije iskoristiva)

Električnu opremu, iskorištenu bateriju i punjač ne odlažite u otpad iz kućanstva! Ovaj proizvod odnesite u ovlašteni centar za reciklažu i time omogućite odvojeno sakupljanje. Električne alate potrebno je vratiti u ekološki prihvatljiv pogon za reciklažu.

OTKLANJANJE SMETNJI

PROBLEM	UZROK	RJEŠENJE
KRUŽNI REZAČ se ne pokreće	<ul style="list-style-type: none">■ Komplet baterija nije pravilno pričvršćen na pogonsku jedinicu.■ Baterijski modul je ispražnjen.■ Ručica za deblokadu i okidač ne pritišću se istodobno.	<ul style="list-style-type: none">■ Pričvrstite komplet baterija na pogonsku jedinicu.■ Napunite komplet baterija s punjačima proizvođača EGO koji su navedeni u ovom priručniku.■ Pritisnite ručicu za blokadu i držite je pritisnutom, a zatim pritisnite aktivator kako biste uključili šišač živice.
KRUŽNI REZAČ se zaustavlja tijekom rezanja.	<ul style="list-style-type: none">■ Motor je preopterećen.■ Baterijski modul je prevruć.■ Komplet baterija odspojen je od alata.	<ul style="list-style-type: none">■ Motor će se povratiti po uklanjanju opterećenja. Kod neprekidnog rada smanjite opterećenje na KRUŽNI REZAČ i izbjegavajte duboko rezanje, umjesto toga režite progresivno sve dublje.■ Pričekajte da se baterijski komplet samo ohladi ili pušite zračnim pištoljem kako biste ubrzali.■ Ponovno priključite baterijski modul.

JAMSTVO

JAMSTVENA POLITIKA PROIZVOĐAČA EGO

Za cjelokupne uvjete jamstvene politike proizvođača EGO posjetite internetsku stranicu egopowerplus.com.

სრულად გაეცანით ინსტრუქციას!



გაეცანით მომხმარებლის ინსტრუქციას

⚠ არსებული რისკი! პიროვნებებმა ისეთი ელექტრული მოწყობილობებით, როგორიცაა იმპლანტირებული დეფიბრილატორი, უნდა მიმართონ პირად ექიმს რჩევებისთვის ამ პროდუქტის გამოყენებამდე. იმპლანტირებულ დეფიბრილატორთან უშუალო სიახლოვეს ელექტრული მოწყობილობის ოპერირებამ შესაძლოა დეფიბრილატორს ხელი შეუშალოს მუშაობაში ან გათიშოს იგი.

⚠ გაფრთხილება: ხელსაწყოს უსაფრთხოდ და გამართულად მუშაობისთვის საჭიროა მისი ყველა შეკეთება და ნაწილის შეცვლა შესრულდეს კვალიფიციური სერვისის ტექნიკოსის მიერ.

უსაფრთხოების წესის სიმბოლოები

უსაფრთხოების წესის სიმბოლოების მიზანია მიაქციოთ ყურადღება შესაძლო საფრთხეებს. ყურადღებით გაეცანით და შეისწავლეთ უსაფრთხოების წესის სიმბოლოები და მათი შესაბამისი განმარტებები. უსაფრთხოების წესის სიმბოლოების მინიმუმები თავისთავად არ ანეიტრალებს რაიმე საფრთხის არსებობის რისკს. მათ მიერ მოწოდებული ინსტრუქციები და გაფრთხილებები არ არიან შემთხვევის თავიდან აცილების სწორი პროცედურის შემცველები.

⚠ გაფრთხილება: ხელსაწყოს გამოყენებამდე დაწვრილებით გაეცანით და შეისწავლეთ ყველა უსაფრთხოების წესი მომხმარებლის ამ ინსტრუქციაში, მათ შორის ყველა უსაფრთხოების წესის სიმბოლო როგორიცაა „საშიშროება“, „გაფრთხილება“ და „ყურადღება“. ქვემოთ ჩამოთვლილი ყველა ინსტრუქციის უგულვებლყოფამ შესაძლოა გამოიწვიოს ელექტრული შოკი, ხანძარი და/ან მოგაყენოთ სერიოზული პირადი ზიანი.

სიმბოლოების მნიშვნელობა

⚠ უსაფრთხოების შეტყობინების სიმბოლო: აღნიშნავს - „საშიშროება“, „გაფრთხილება“ ან „ყურადღება“. შესაძლოა გამოყენებულ იქნას სხვა სიმბოლოებთან ან პიქტოგრამებთან ერთად.

⚠ გაფრთხილება: ელექტრული ხელსაწყოს გამოყენებისას შესაძლოა უცხო სხეულის თვალის მიდამოში მოხვედრა, რამაც შესაძლოა გამოიწვიოს თვალის მნიშვნელოვანი დაზიანება. ელექტრული ხელსაწყო გამოყენებამდე აუცილებლად მორიგეთ უსაფრთხოების თვალსაფარი ან სათვალე მყარი თვალის დამცავებით და მთლიანი სახის ეკრანით. ჩვენ რეკომენდაციას ვუწვევთ ფართო ხედვის არის მქონე უსაფრთხოების ნიღაბს სათვალეებთან ერთად ან სტანდარტულ გვერდითა ეკრანების მქონე უსაფრთხოების სათვალეებს.

უსაფრთხოების წესის ინსტრუქცია

ეს გვერდი აჩვენებს და აღწერს იმ უსაფრთხოების წესის სიმბოლოებს, რომლებიც შესაძლოა აღბეჭდილია მოცემულ პროდუქტზე. წაკითხეთ, შეისწავლეთ და მიყვით ხელსაწყოს ყველა ინსტრუქციას მის აწყობამდე და ჩართვამდე.

	უსაფრთხოების ნიშანი	გამართლებელი ზომები, რომლებიც მოიცავს თქვენს უსაფრთხოებას.
	გაეცანით მომხმარებლის ინსტრუქციას	დაზიანების რისკის შესამცირებლად მომხმარებელმა უნდა წაკითხოს და გაეცნოს ხელსაწყოს მუშაობის ინსტრუქციას მის გამოყენებამდე.
	გაიკეთეთ თვალის დამცავი	ყოველთვის მორიგეთ უსაფრთხოების თვალსაფარი ან გვერდითა ეკრანების მქონე უსაფრთხოების სათვალე და მთლიანი სახის ეკრანი ხელსაწყოთი სარგებლობისას.

KA

	გაიკეთეთ ყურების დამცავი	ყოველთვის გაიკეთეთ ყურების დამცავი ხელსაწყოთი სარგებლობისას.
	გაიკეთეთ თავის დამცავი საშუალება	გამოიყენეთ აპრობირებული მყარი ჩაფხუტი, რათა დაიცვათ თავის არე.
	ჩაიცვით დამცავი ხელთათმანები	დაიცავით თქვენი ხელები ხელთათმანებით, როდესაც ეხებით დანას ან დანის დამცავ კვრანს.
	ჩაიცვით უსაფრთხოების დამცავი ფეხსაცმელი	ჩაიცვით მოცურების საწინააღმდეგო ფეხსაცმელი ხელსაწყოს გამოყენებისას.
	მოერიდეთ დანის ბიძგს	გააფრთხილეთ მომხმარებელი დანის ბიძგის საფრთხის შესახებ.
	რიკოშეტის საფრთხე და მთარიდეთ სხვა ადამიანები ხელსაწყოს	შესაძლოა გამოტორცილი სხეულების რიკოშეტირება და ამით პირადი ან ქონებრივი ზიანის მიყენება. დარწმუნდით რომ სხვა ადამიანები ან შინაური ცხოველები იმყოფებიან ბუჩქის საკრეჭიდან მოშორებით ხელსაწყოთი სარგებლობისას.
	მთარიდეთ სხვა ადამიანები	დარწმუნდით რომ სხვა ადამიანები ან შინაური ცხოველები იმყოფებიან მინიმუმ 15 მ მოშორებით ელექტრო მთიბავით სარგებლობისას.
	წრიული დანის გამოყენება აკრძალულია	არ დაუყენოთ მრგვალი ფორმის საჭრელი დანები.

	WEEE	ელექტრული ხელსაწყოების უტილიზაცია არ უნდა მოხდეს საყოფაცხოვრებო ნარჩენებთან ერთად. წაიღეთ ხელსაწყო ავტორიზებულ ნარჩენების გადამამუშავებელთან.
	ხმაური	გარანტირებული ხმის სიმძლავრის დონე. გარემოში ხმაურის გავრცელების დონე ევროკავშირის რეგულაციების შესატყვისია.
	CE	ხელსაწყო შეესაბამება ევროკავშირის მიერ წამოყენებულ რეგულაციებს.
V	ვოლტი	ძაბვა
n_0	დაუტვირთავი სიჩქარე	დაუტვირთავი ბრუნვის სიჩქარე
min^{-1}	წუთში	ბრუნთა რიცხვი წუთში
	მუდმივი დენი	დენის ტიპი ან სახე
kg	კილოგრამი	წონა

მნიშვნელოვანი უსაფრთხოების ინსტრუქციები

⚠ გაფრთხილება: გაეცანით ამ ელექტრულ ხელსაწყოსთან დაკავშირებულ ყველა უსაფრთხოების მითითებას, ინსტრუქციას, ილუსტრაციას და სპეციფიკაციას. ქვემოთ ჩამოთვლილი ნებისმიერი ინსტრუქციის უგულბელობა შესაძლოა გამოიწვიოს ელექტრული შოკი, ხანძარი და/ან მოგაყენოთ სერიოზული ზიანი.

შეინახეთ ყველა მითითება და ინსტრუქცია სამომავლოდ გამოყენებისთვის.

- მოერიდეთ სამიშ გარეშო პირობებს - არ გამოიყენოთ ხელსაწყო ნესტიან ან სველ ფერდობზე.
- დამცავი ეკრანები იქონიეთ ხელსაწყოზე შესაბამის ადგილას და მუშა

KA

მდგომარეობაში.

- მოარიდეთ ხელები და ფეხები მჭრელ ნაწილებს.
- ფიზიკური ზიანის რისკის შესამცირებლად, არასოდეს ამუშაოთ ხელსაწყო კიბეზე ან სხვა არამყარი საყრდენის მქონე ობიექტზე დგომისას. არასოდეს დაიჭიროთ ხელსაწყო მჭრელი ნაწილი წელს ზევით.
- შეამოწმეთ მჭრელი ნაწილი რეგულარული მჭირე ინტერვალებით ხელსაწყოთი სარგებლობისას, ან დაუყონებლივ, თუ წარმოიქმნა მნიშვნელოვანი ცვლილება თიბვის პროცესის განმავლობაში.
- საუკეთესო შედეგის მისაღებად, თქვენი აკუმულატორი დატენეთ 5°C-ზე მაღალი და 40°C-ზე დაბალი ტემპერატურის პირობებში. არ შეინახოთ ხელსაწყო გარეთ ან ავტომობილში.
- თუ თქვენ სხვა პიროვნება მოგიახლოვდათ, დაუყონებლივ გააჩერეთ მოტორი და მჭრელი მოწყობილობა.
- გააფრთხილეთ მომხმარებელი დანის ბიძგის საფრთხის შესახებ.
- დანის ბიძგი შესაძლოა მოხდეს როდესაც მზრუნავი დანა შეეხება ისეთ საგანს, რომელსაც მყისიერად ვერ მოჭრის.
- დანის ბიძგი შესაძლოა იყოს იმდენად ძლიერი რომ, მოახდინოს ხელსაწყო და/ან მომხმარებლის გაწევა ნებისმიერი მიმართულებით და შესაძლოა, ასევე გამოიწვიოს ხელსაწყოზე კონტროლის დაკარგვა.
- დანის ბიძგი შესაძლოა მოხდეს გაფრთხილების გარეშე თუ დანა დაბრკოლდება, გაჩერდება ან გაიხლართება.
- დანის ბიძგი უფრო სავარაუდოა მოხდეს ისეთ არეში, სადაც რთულია მოჭრადი საგნების დანახვა.
- არ გაუკეთოთ დანა მოწყობილობას აუცილებელი ნაწილების შესაბამისი დამავრების გარეშე. სათანადო ნაწილების გამოყენების უგულვებელყოფამ შესაძლოა გამოიწვიოს დანის მოწყვეტა და სერიოზულად დააზიანოს მომხმარებელი და/ან გვერდზე მდგომი ადამიანი. გადაადგეთ დანები, რომლებიც მოლუწულია, აქვს შეცვლილი ფორმა, გაბზარულია, გატეხილია ან დაზიანებულია სხვაგვარად. გამოიყენეთ ბასრი დანა. ბლაგვი დანა მეტად იხლართება და

მიიღებს ბიძგს.

- ინერციით მზრუნავმა დანამ/ტყმა შესაძლოა მოგაყენოთ ფიზიკური ზიანი მოტორის ან ტრიგერის გათიშვის შემდეგაც. სათანადოდ აკონტროლეთ ხელსაწყო სანამ მზრუნავი დანა/ტყა ბოლომდე არ გაჩერდება.
- აკუმულატორიანი ელექტრული ხელსაწყოების ქსელში შეერთება არ არის აუცილებელი; ისინი ყოველთვის მუშა მდგომარეობაში არიან. გაითვალისწინეთ შესაძლო საფრთხეები მაშინაც კი როცა ხელსაწყო არ არის გამოყენებაში. გამოიჩინეთ სიფრთხილე როდესაც ახდენთ ხელსაწყო შეკეთებას ან ტექნიკურ სერვისს.
- არ გარეცხოთ ხელსაწყო წყლის მილით; მოერიდეთ მოტორში და ელექტრულ შეერთებებში წყლის მოხვედრას.
- თუ ისეთი სიტუაცია შეიქმნა, რომელიც არაა აღწერილი ინსტრუქციაში, გამოიყენეთ სალი აზრი და მიიღეთ ფრთხილი გადაწყვეტილებები. მიმართეთ EGO-ს კლიენტთა მომსახურების ცენტრს დახმარებისთვის.

შეინახეთ ეს მომხმარებლის ინსტრუქცია!

სპეციფიკაციები

დაუტვირთავი ბრუნვის სიჩქარე	450 ბრ/წთ-მდე
საჭრელი დანა	ABR2300
რეკომენდირებული საექსპლუატაციო ტემპერატურა:	0°C-40°C
რეკომენდირებული დასაწყობების ტემპერატურა:	-20°C-70°C
ოპტიმალური დამუხტვის ტემპერატურა	5°C-40°C
წონა	1.9 კგ
გაზომილი ხმის სიმძლავრის დონე L_{WA}	96.1 dB(A) K = 3.8 dB (A)
ბგერის წნევის დონე მომხმარებლის ყურზე L_{PA}	83.2 dB(A) K = 2.5 dB(A)

KA

გარანტირებული ხმის სიმძლავრის დონე L_{WA} (გაზომილი 2000/14/EC რეგულაციის მიხედვით)		100 dB(A)	
ვიბრაციის შეფასება $a_{h,v}$:	მანქანა	STX3800-ით	BCX3800-ით
	მარცხენა სახელური	0.7 მ/წმ ² K = 1.5	0.6 მ/წმ ² K = 1.5
	მარჯვენა სახელური	0.7 მ/წმ ²	0.6 მ/წმ ²

- მითითებული ვიბრაციის სრული მნიშვნელობა გაზომილია სტანდარტული ტესტირების მეთოდით და შესაძლოა გამოყენებულ იქნას ერთი ხელსაწყოს მეორესთან შედარებისას.
- მითითებული ვიბრაციის სრული მნიშვნელობა ასევე შესაძლოა გამოყენებულ იქნას ზემოქმედების პირველადი შეფასებისას.

შენიშვნა: ელექტრული ხელსაწყო ვიბრაციის ემისია გამოყენებისას შესაძლოა განსხვავდებოდეს მითითებული ოდენობისგან; მომხმარებელმა ხელსაწყოთი სარგებლობისას საჭიროა გამოიყენოს ხელთათმანები და ყურის დამცავი საშუალებები.

აღწერა

შესწავლეთ თქვენი როტაციული სათიბი (ნახ. A)

1. დამლუქავი ხრახნი
2. გადაცემათა კოლოფი
3. დანა
4. დანის ბუდე
5. დამცავი ევრანის კომპლექტი
6. ქანჩის გასაღები
7. ექვსწახნაგა შლიცის გასაღები
8. მილისი (25 მმ დიამეტრის მილზე გამოსაყენებლად)

შეფუთვის ჩამონათვალი

ნაწილის დასახელება	რაოდენობა
როტაციული სათიბი	1
დამცავი ევრანის კომპლექტი	1
ქანჩის გასაღები	1
ექვსწახნაგა შლიცის გასაღები	1

KA

მილისი	1
მომხმარებლის ინსტრუქცია	1

აწყობა

▲ გაფრთხილება: თუ რომელიმე ნაწილი დაზიანებულია ან დაკარგულია, არ ისარგებლოთ ხელსაწყოთი, სანამ ყველა ნაწილი არ შეიცვლება. დაზიანებული ან დანაკლისი ნაწილების მქონე ხელსაწყოთი სარგებლობას შესაძლოა მოჰყვეს სერიოზული პირადი ზიანი.

▲ გაფრთხილება: არ სცადოთ ხელსაწყოს გადაკეთება ან ისეთი ნაწილების გამოყენება, რომლებიც არაა რეკომენდირებული ამ მანქანისთვის. ნებისმიერი მსგავსი ცვლილება ან მოდიფიკაცია არის ხელსაწყოს არასათანადო გამოყენება და შესაძლოა წარმოქმნას სახიფათო მდგომარეობა, რომელმაც შესაძლოა გამოიწვიოს სერიოზული პირადი ზიანი.

▲ გაფრთხილება: უცაბედი ჩართვის გამოსარიცხად, რომელმაც შესაძლოა გამოიწვიოს სერიოზული პერსონალური ზიანი, ყოველთვის ამორთეთ აკუმულატორის კონექტორი ბუდიდან როდესაც ხდება ხელსაწყოს აწყობა.

სათიბი თავაკის შეცვლა როტაციული სათიბით

1. დაიჭირეთ თქვენი ელექტრო სათიბი/ ბუჩქის საკრეჭი და გამოიყენეთ ექვსწახნაგა შლიცის გასაღები, რათა მოხსნათ სათიბის დამცავი ევრანი, თავი და გადაცემათა კოლოფი ბრუნავ ლილვს (ნახ. B1-B3). მბრუნავ ლილვს შემდგომში გამოიყენებთ როტაციული სათიბის ასაწყობად.
2. ამოიღეთ როტაციული სათიბი შეფუთვიდან, მოუშვით ხრახნი #1 და დატოვეთ იგი სამაგრ ფილაზე, მოუშვით ხრახნი #2 და მოხსენით იგი სამაგრ ფილას. (ნახ. B4)

B-1	ხრახნი #1	B-3	სამაგრი ფილა
B-2	ხრახნი #2		

3. შემდეგ ჩასვით როტაციული სათიბის თავი მზრუნავ ლილვზე, რომელიც პირველ ნაბიჯზე მოხსენით. დარწმუნდით, რომ B-2 ხრახნის ნასვრეტი უსწორდება მზრუნავ ლილვზე არსებულ ნასვრეტს (ნახ. B5).
4. ჩასვით B-2 ხრახნი და დაუჭირეთ, შემდეგ დაუჭირეთ B-1 აღნიშნული ორივე ხრახნიც (ნახ. B6).
5. ამოიღეთ როტაციული სათიბის დამცავი ეკრანი შეფუთვიდან და მოუშვით მასზე არსებული ორი ჭანჭიკი. მოხსენით და შეინახეთ დამცავზე არსებული ორი ჭანჭიკი და შუასადები (ნახ. B7).
6. აწიეთ როტაციული სათიბის თავი და მოატრიალეთ ქვევითკენ; გაუსწორეთ დამცავზე არსებული ორი მისამაგრებელი ნასვრეტი როტაციული სათიბის სამაგრ ფილაზე არსებულ ორ ნასვრეტს. დარწმუნდით რომ დამცავი ეკრანის მიმართულუბა ისეთივეა, როგორც სურათზე ქვევით, რკალის ფორმით მჭრელი კბილანების გარშემო. (ნახ. B8).
7. გამოიყენეთ ექვსწახნაგა შლიცის გასაღები, რათა მჭიდროდ დაამაგროთ დამცავი თავის ადგილას.
8. მოხსენით დანის ბუდე ხელსაწყოს გამოყენებისას.

ექსპლუატაცია

▲ გაფრთხილება: შეეცადეთ მსგავსი პროდუქტის გამოყენების გამოცდილებამ არ გამოიწვიოს თქვენი უგულისყურობა. დაიმახსოვრეთ რომ უგულისყურობამ წამის მეთაღმდეგ კი შესაძლოა მოგიტანოთ სერიოზული ზიანი.

▲ გაფრთხილება: ყოველთვის მორგეთ უსაფრთხოების სათვალე და სმენის დამცავი საშუალება. ამ ინსტრუქციის უგულებელყოფამ შესაძლოა გამოიწვიოს სხვადასხვა სხეულის თვალში მოხვედრა და სხვა შესაძლო სერიოზული ზიანი.

▲ გაფრთხილება: არ გამოიყენოთ სხვა ნებისმიერი ნაწილი, რომელიც არაა რეკომენდირებული ამ ხელსაწყოს მწარმოებლის მიერ. არარეკომენდირებული ნაწილის გამოყენებამ შესაძლოა მოგაყენოთ სერიოზული ზიანი.

▲ გაფრთხილება: სერიოზული

პერსონალური ზიანისგან თავის არიდების მიზნით მოხსენით აკუმულატორი ხელსაწყოს ტექნიკური სერვისის, გაწმენდის, მიმაგრების შეცვლის ან ნარჩენი ნივთიერების მოცილების დროს.

თქვენ შეგიძლიათ გამოიყენოთ ხელსაწყო ქვემოთ ჩამოთვლილი მიზნებისთვის:

თიბვა: გამოიყენება ბალახის მოსათიბად ბომბების ან მოაჯირის, კედლის კიდის, გზის კიდის, სამანქანო გზის გასწვრივ მდებარე ღობეების გარშემო, ან ავტოსადგომის გარშემო არსებული მცენარეების გასაკრეჭად.

შენიშვნა: როტაციული სათიბის გამოყენებისას დარწმუნდით რომ, რაიმე უცხო სხეულები არ გამოიტყორცნება, რაც მნიშვნელოვან რისკს ქმნის: გატეხილი ფანჯრების, დაზიანებული მანქანების, გარღვეული ღობის, მოსხეპილი ხის მერქნის ან პირადი დაზიანების მხრივ.

აკუმულატორის მისაერთებლად/ მოსასხნელად (ნახ. C)

სრულად დატენით პირველ ჯერზე სარგებლობამდე.

გაუსწორეთ კვების ჩანაგალის ▲ მანქანის ▲-ს. შეაერთეთ კვების ჩანაგალი ხელსაწყოში, სანამ მწვანე ფერის მაჩვენებელი მთლიანად არ ჩაჯდება ბუდეში.

აკუმულატორის მოხსნისთვის უბრალოდ ამოაერთეთ ის ჩანაგალზე ჩაჭიდებით და უკან გამოწვიეთ.

ხელსაწყოს ჩართვა/გამორთვა (STX3800 & BCX3800)

იხილეთ სექცია „ელექტრო სათიბის/ბუჩქის საკრეჭის ჩართვა/გამორთვა“ STX3800/ BCX3800 მომხმარებლის ინსტრუქციაში.

ხელსაწყოს გამოყენების წესი

▲ გაფრთხილება: სერიოზული პერსონალური ზიანისგან თავის არიდების მიზნით ყოველთვის მორგეთ უსაფრთხოების თვალსაფარი ან სათვალე ხელსაწყოთი სარგებლობისას. გამოიყენეთ სახის ნიღაბი ან მტკრის საწინააღმდეგო ნიღაბი მტკრიან ადგილას მუშაობისას.

გასუფთავეთ გასათიბი არე მუშაობის დაწყებამდე. მოაცილეთ ყველა ობიექტი როგორცაა ქვები, დამტვრეული მიწა, ლურსმანი, სადენი ან ბაწარი, რომელიც

KA

შესაძლოა ჩაყვას ან დაეზვიოს ხელსაწყოს მთიბავ ნაწილს. მორიდდეთ სამუშაო ადგილს ზავშვები, სხვა პირები და შინაური ცხოველები. დარწმუნდით რომ ზავშვები, სხვა ადამიანები ან შინაური ცხოველები იმყოფებიან მინიმუმ 15 მ მოშორებით; არსებობს რისკი რომ უცხო სხეულები მაღალი სიჩქარით გვერდზე მდგომი პირებისკენ გაიტყორცნონ. გვერდზე მდგარი პირებისთვის რეკომენდირებულია თვალის დამცავი საშუალებების გამოყენება. თუ თქვენ სხვა პიროვნება მოვიახლოვდათ, დაუყოვნებლივ გააჩერეთ მოტორი და სათიბი მოწყობილობა.

ყოველი გამოყენების წინ შეამოწმეთ ნაწილები დაზიანებაზე/ცვეთაზე

შეამოწმეთ როტაციული სათიბის თავი, დამცავი ეკრანი და ჩარჩოსებრი სახელური, შეცვალეთ ნაწილები, რომელიც გაზზარულია, გაღუნულია, აქვს შეცვლილი ფორმა ან დაზიანებულია სხვაგვარად.

▲ გაფრთხილება: ყოველთვის გამოიყენეთ ხელთათმანები, როდესაც ამონტაჟებთ დამცავ ეკრანს ან უტარებთ სერვისს დანას. ფრთხილად მოეპყარით დანას და დაცავით ხელი გაჭრისგან.

ყოველი გამოყენების შემდეგ გაასუფთავეთ ხელსაწყო.

▲ ყურადღება: საპაერობის დახშობა ხელს უშლის ჰაერის შედინებას მოტორში და გამოიწვევს მის გადახურებას და დაზიანებას.

- გამოიყენეთ მხოლოდ რბილი საპონი და ნოტიო ქსოვილი ხელსაწყოს გასაწმენდად. არასდროს დაუშვათ ხელსაწყოში სითხის შეღწევა; არასდროს მოათავსოთ ხელსაწყოს რაიმე ნაწილი სითხეში.
- ყოველთვის გაათავისუფლეთ მოტორის საპაეროები ნარჩენებისგან.

ექსპლუატაცია

▲ გაფრთხილება: ტექნიკური სერვისისას გამოიყენეთ მხოლოდ იდენტური სათადარიგო ნაწილები. გაუკეთეთ ხელსაწყოს რეგულარული შემოწმება და ინსპექტირება. ხელსაწყოს უსაფრთხოდ და გამართულად მუშაობისთვის საჭიროა მისი ყველა შეკეთება და ნაწილის შეცვლა შესრულდეს კვალიფიციური სერვისის ტექნიკოსის მიერ.

▲ გაფრთხილება: აკუმულატორიანი ელექტრული ხელსაწყოების ქსელში შეერთება არ არის აუცილებელი; ისინი ყოველთვის მუშა მდგომარეობაში არიან. სერიოზული პერსონალური ზიანისგან თავის არიდების მიზნით მიიღეთ დამატებითი ზომები და გამოიჩინეთ სიფრთხილე შეკეთებისას, სერვისის ან სათიბი და სხვა ნაწილების შეცვლისას.

▲ გაფრთხილება: სერიოზული პერსონალური ზიანისგან თავის არიდების მიზნით მოხსენით აკუმულატორი ხელსაწყოს ტექნიკური სერვისის, გაწმენდის, მიმაგრების შეცვლის ან ნარჩენი ნივთიერების მოცილების დროს.

როტაციული სათიბის დანის შეცვლა

▲ გაფრთხილება: თუ დანები მოეშვება ადგილზე დამაგრების შემდეგ ან ძლიერ გაიცვითება, დაუყოვნებლივ შეცვალეთ ისინი. არასოდეს გამოიყენოთ ხელსაწყო მორყეულად დამაგრებული ან არაფექტური მთიბავი ნაწილით.

შეისწავლეთ როტაციული სათიბის თავი, როგორც ნახ. D1-ზე არის ნაჩვენები.

D-1	ტარის ხუფი	D-5	შუასადები
D-2	ზედა დანა	D-6	მოსრიალე თევშა
D-3	ქვედა დანა	D-7	ქანჩი
D-4	საყრდენი ხუფი		

1. მოათავსეთ როტაციული სათიბის გადაცემათა კოლოფი მყარ საყრდენ ზედაპირზე. ერთად დაიჭირეთ ზედა და ქვედა დანები ბრტყელტუჩით ან გირაგით, შემდეგ გამოიყენეთ ქანჩის გასაღები, რათა მოუშვათ ქანჩი (ნახ. D2).
2. მოხსენით ქანჩი, მოსრიალე თევშა, შუასადები, საყრდენი ხუფი, ქვედა დანა, ზედა დანა და ტარის ხუფი იმ თანმიმდევრობით, როგორც ნახ. D1-ზე არის ნაჩვენები.
3. ახალი დანების დამონტაჟებამდე, დაამაგრეთ ტარზე ხუფი (ნახ. D3). დაამაგრეთ ზედა დანა დიდი ზომის ექვსწახნაგა ნასვრეტით ტარზე ზედაპირზე დატანილი „EGO“-ს ლოგოთი გადაცემათა კოლოფის მიმართულებით (ნახ. D4).

შემდეგ დაამაგრეთ ქვედა დანა მცირე ზომის ექვსწახნაგა ნასვრეტით ტარზე ზედაპირზე დატანილი „EGO“-ს ლოგოთი თქვენი მიმართულებით (ნახ. D5).

შენიშვნა: დარწმუნდით რომ ექვსწახნაგა ნასვრეტები დანებზე და ექვსწახნაგა ტარის მხარზე ერგება ერთმანეთს. სხვა შემთხვევაში, თუ დანები საპირისპირო მიმართულებითაა დამაგრებული, როტაციული სათიბი ვერ იმუშავებს სწორად და დააზიანებს დანებს.

4. მიჰყევით ნახ. D1-ზე ნაჩვენები ინსტრუქციის მიმდევრობას, რათა ხელახლა ააწყოთ ისინი.

გადაცემათა კოლოფის შეგება

ხელსაწყო ოპტიმალური მუშაობისთვის და ხანგრძლივი მოხმარებისთვის შეზეთეთ გადაცემათა კოლოფი სპეციალური საპოხით (4-5 გ ყოველ ჯერზე) ყოველი 50 საათიანი ექსპლუატაციის პერიოდის შემდეგ.

სპეციალური საპოხი უნდა აკმაყოფილებდეს შემდეგ მოთხოვნებს:

1. მიეკუთვნებოდეს DIN51818 ტიპს: კონუსის შვალაზე NLGI-1 სირბილის.
2. სინთეტიკური ეთერის ცხიმო.
3. შესანიშნავი საპოხი დაბალტემპერატურული ჩართვისთვის, მაღალი წნევის პირობებისთვის, მექანიკური ცვეთისა და გახეხის საწინააღმდეგო და ოქსიდაციის სტაბილიზაციისთვის.
4. ტემპერატურის მუშა რეჟიმი უნდა მოიცავდეს -40°C ~ 180°C ინტერვალს. მოხსენით დამლუქავი ხრახნი. შეავსეთ ზეთით გადაცემათა კოლოფი სპეციალურად განკუთვნილი შესაზეთი ხერელის საშუალებით.

⚠ გაფრთხილება: არ შეზეთოთ ხელსაწყო როდესაც ხელსაწყო შეერთებულია აკუმულატორთან ან მუშა რეჟიმშია.

ხელსაწყო განმნდა

- გაწმინდეთ ხელსაწყო ნოტიო ქსოვილით და რბილი სარეცხი საშუალებით.
- არ გამოიყენოთ ძლიერი გამწმენდი საშუალებები პლასტმასის ბუდეზე ან სახელურზე. ისინი შესაძლოა დაზიანდეს ისეთი არომატიზატორებით, როგორცაა ნამგის ან ლიმნის ზეთი, ან ნავთის ტიპის გამხსნელი საშუალებებით. სინესტემ ასევე

შეიძლება შექმნას ელექტრული შოკის საფრთხე. რბილი, მშრალი ქსოვილით მოწმინდეთ ხელსაწყო ნებისმიერი ნესტი,

ხელსაწყო შენახვის წესი

- მოხსენით აკუმულატორი ხელსაწყო გამოყენების შემდეგ.
- საფუძვლიანად გაწმინდეთ ხელსაწყო შენახვამდე.
- შეინახეთ ხელსაწყო მშრალ, კარგად განიავებად ადგილას ჩაკეტილ და მაღალ სათავსოში, ზაფხულისთვის მიუწვდომელ ადგილას. არ შეინახოთ ხელსაწყო სასუქის, ბენზინის და სხვა ქიმიური ნივთიერებების სიახლოვეს.
- ხელსაწყო ტრანსპორტირების დროს გამოიყენეთ ლითონის დანების საფარი.

გარემოს დაცვა



WEEE (ელექტრული ნარჩენები და ელექტრული მოწყობილობები)

არ მოახდინოთ ელექტრული მოწყობილობის, დამტენის და აკუმულატორის / მისი ბატარეების მოთავსება საყოფაცხოვრებო ნაგავში! მიუტანეთ ისინი ავტორიზირებულ ნარჩენების გადამამუშავებელს და მოახდინეთ ასეთი ნარჩენის განცალკევებულად შეროვნება. ელექტრული ხელსაწყოები უნდა ჩაბარდეს ნარჩენების გადამამუშავებელ ორგანოს გარემოს დაცვის ნორმების გათვალისწინებით.

KA



გაუმართაობის დიაგნოსტიკა

პრობლემა	მიზეზი	გადაჭრის გზა
როტაციული სათიბი არ ირთვება.	<ul style="list-style-type: none"> აკუმულატორი არ არის სწორად შეერთებული ელექტრულ თავზე. აკუმულატორი დაცლილია. ჩამკეტი ბერკეტი და ტრიგერი ერთდროულად არაა აქტივირებული. 	<ul style="list-style-type: none"> მიუერთეთ აკუმულატორი ელექტრულ თავს. დატენეთ აკუმულატორი მხოლოდ EGO-ს მიერ ამ მომხმარებლის ინსტრუქციაში ჩამოთვლილი დამტენი მოწყობილობით. დააჭირეთ ჩამკეტ ბერკეტს და გააჩერეთ ამ მდგომარეობაში, შემდეგ დააჭირეთ თითო ტრიგერს რათა ჩართოთ ხელსაწყო.
როტაციული სათიბი ითიშება მუშაობის პროცესში.	<ul style="list-style-type: none"> მოტორი არის გადატვირთული. აკუმულატორი ზედმეტად გაცხელებულია. აკუმულატორი მოხსნილია ხელსაწყოდან. 	<ul style="list-style-type: none"> ხელსაწყო განაახლებს მუშაობას, როდესაც დატვირთვა მოიხსნება. განუწყვეტლივი მუშაობისას შეამცირეთ დატვირთვა როტაციულ სათიბზე და მოერიდეთ ღრმად თიბვას; ამის მაგივრად, თანდათანობით გაზარდეთ მოთიბვის სიღრმე. დააცადეთ აკუმულატორს გაგრილდეს ბუნებრივად ან გამოიყენეთ ჰაერის ჭავლი გაგრილების დასაჩქარებლად. ხელახლა მიუერთეთ აკუმულატორი.

გარანტია

EGO-ს გარანტიის მომსახურების წესი

გთხოვთ ეწვიოთ ვებ-გვერდს egopowerplus.com, რათა მიიღოთ EGO-ს საგარანტიო მომსახურების სრული დადგენილებები და პირობები.

KA

PROČITAJTE SVA UPUTSTVA!



PROČITAJTE PRIRUČNIK ZA RUKOVAOCA

⚠ Rezidualni rizik! Osobe sa elektronskim uređajima, poput pejsmejkera, treba da konsultuju svog lekara (svoje lekare) pre upotrebe ovog proizvoda. Rukovanje električnom opremom u neposrednoj blizini srčanog pejsmejkera moglo bi da izazove smetnje ili otkazivanje pejsmejkera.

⚠ UPOZORENJE: Da bi se osigurala sigurnost i pouzdanost, sve popravke i zamene treba da radi kvalifikovani servisni tehničar.

SIGURNOSNI SIMBOL

Svrha sigurnosnih simbola je da vam skrenu pažnju na moguće opasnosti. Sigurnosni simboli i objašnjenja uz njih zaslužuju vašu pognu pažnju i shvatanje. Simboli upozorenja, sami po sebi, ne eliminišu nikakve opasnosti. Uputstva i upozorenja koja oni daju nisu zamena za odgovarajuće mere sprečavanja nezgoda.

⚠ UPOZORENJE: Obavezno pročitajte i shvatite sva sigurnosna uputstva u ovom Priručniku za rukovaoca, obuhvatajući i sve simbole sigurnosnih upozorenja poput „OPASNOST“, „UPOZORENJE“ i „OPREZ“ pre korišćenja ovog alata. Nepridržavanje svih dole navedenih uputstava može da dovede do strujnog udara, požara i/ili ozbiljne telesne povrede.

ZNAČENJE SIMBOLA

⚠ SIMBOL SIGURNOSNOG UPOZORENJA: Ukazuje na OPASNOST, UPOZORENJE, ILI OPREZ, može se koristiti zajedno sa drugim simbolima ili piktogramima.

⚠ UPOZORENJE: Rukovanje svakim električnim alatom može da dovede do izbacivanja stranih tela ka očima, što može da dovede do ozbiljnog oštećenja očiju. Pre započinjanja rada sa električnim alatom, uvek stavite sigurnosne naočare sa bočnim štitnicima ili po potrebi masku za celo lice. Preporučujemo sigurnosnu masku Wide Vision za upotrebu preko naočara ili standardnih sigurnosnih naočara sa bočnim štitnicima.

SIGURNOSNA UPUTSTVA

Ova stranica prikazuje i opisuje sigurnosne simbole koji mogu da se pojave na ovom proizvodu. Pročitajte, shvatite i sledite sva uputstva na mašini pre no što pokušate da je sklopite i da rukujete njom.

	Sigurnosno upozorenje	Mere opreza koje se tiču vaše sigurnosti.
	Pročitajte Priručnik za rukovaoca	Da bi smanjio rizik od povreda, korisnik pre korišćenja ovog proizvoda mora pročitati i shvatiti priručnik za rukovaoca.
	Nosite zaštitu za oči	Uvek nosite sigurnosne naočare sa bočnim štitnicima ili po potrebi masku za celo lice kad rukujete ovim proizvodom.
	Nosite zaštitu za uši	Uvek nosite zaštitu za uši kad rukujete ovim proizvodom.
	Nosite zaštitu za glavu	Nosite odobreni sigurnosni šlem da biste zaštitili glavu.
	Nosite zaštitne rukavice	Zaštitite ruke rukavicama kada rukujete sečivom ili štitnikom sečiva.
	Nosite sigurnosnu obuću	Nosite sigurnosnu obuću koja se ne klizi kada koristite ovaj uređaj.
	Čuvajte se odbijanja noža	Upozorite rukovaoca na opasnosti od odbijanja noža.
	Držite prolaznike podalje zbog odbijenih predmeta	Izbačeni predmeti se mogu odbiti i izazvati telesnu povredu ili oštetiti imovinu. Osigurajte da drugi ljudi i kućni ljubimci budu udaljeni od motorne kose kada je u upotrebi
	Držite prolaznike podalje	Osigurajte da drugi ljudi i kućni ljubimci budu udaljeni najmanje 15 m od trimera kada je u upotrebi.
	Bez okruglog noža	Ne instalirajte okrugle noževe za sečenje.
	WEEE	Otpadne električne proizvode ne bi trebalo odlagati zajedno sa otpadom iz domaćinstva. Odnosite ih u ovlašćeni pogon za reciklažu.

SR

	Buka	Garantovan nivo jačine zvuka. Emisija buke u okruženju prema Direktivi Evropske zajednice
	CE	Ovaj proizvod je u skladu sa primenljivim EC direktivama.
V	Volt	Voltaža
n_0	Brzina bez opterećenja	Rotaciona brzina, bez opterećenja
min^{-1}	U minutu	Obrtaji u minutu
	Jednosmerna struja	Tip ili karakteristika struje
kg	Kilogram	Težina

VAŽNA SIGURNOSNA UPUTSTVA

⚠ UPOZORENJE: Pročitajte sva sigurnosna upozorenja, uputstva, ilustracije i specifikacije priložene uz ovaj električni alat. Nepridržavanje svih dolenađenih uputstava može da dovede do strujnog udara, požara i/ili ozbiljne povrede

Sačuvajte sva upozorenja i uputstva za buduću upotrebu.

- Izbegavajte opasna okruženja – ne koristite aparate na vlažnim ili mokrim nagibima.
- Držite štitnike na svom mestu i u radnom stanju.
- Držite šake i stopala dalje od mesta sečenja.
- Da biste smanjili rizik od povreda, nikada nemojte raditi na lestvama ili na bilo kojoj nestabilnoj površini. Nikada nemojte držati jedinicu za sečenje iznad visine struka.
- Proveravajte jedinicu za sečenje redovno u kratkim intervalima za vreme korišćenja, ili odmah ako ima primetnih promena u ponašanju sečenja.
- Za najbolje rezultate, bateriju treba puniti na mestu gde je temperatura veća od 5°C i manja od 40°C. Ne skladištite je na otvorenom prostoru ili u vozilima.
- Ako vam neko priđe, zaustavite motor i jedinicu za sečenje.
- Upozorite rukovaoca na opasnosti od odbijanja noža.
- Do odbijanja noža može doći kada nož koji se okreće dođe u dodir sa predmetom koji ne preseče istog trenutka.
- Odbijanje noža može biti dovoljno silovito da izazove da jedinica i/ili korisnik budu odgurnuti u bilo kojem smeru, i moguć je gubitak kontrole nad jedinicom.

- Do odbijanja noža može doći bez upozorenja ako se nož zakači, zaguši ili zaplete.
- Veće šanse za odbijanje noža postoje na mestima gde je teško videti materijal koji se kosi.
- Nemojte pričvrstiti nož na jedinicu bez pravilne instalacije svih potrebnih delova. Nekorišćenje odgovarajućih delova može izazvati da nož odleti i ozbiljno povredi operatera i/ili prolaznike. Odbacite noževe koji su savijeni, iskrivljeni, naprsli, polomljeni ili oštećeni na bilo koji način. Koristite oštar nož. Tup nož ima veće šanse da se zakači i odbije.
- Kretanje noža/strune može da izazove povredu dok nastavlja da se vrti nakon zaustavljanja motora ili puštanja okidača. Održavajte pravilnu kontrolu dok se nož/struna ne zaustavi potpuno.
- Alati na baterije ne moraju da budu uključeni u utičnicu; oni su stoga uvek u radnom stanju. Budite svesni mogućih opasnosti čak i kada se alat ne koristi. Budite pažljivi kada održavate ili servisirate.
- Ne perite crevom; izbegavajte ulaženje vode u motor i električne veze.
- Ako dođe do situacija koje nisu obrađene u ovom priručniku, primenjujte oprez i zdravo rasuđivanje. Obratite se EGO korisničkoj službi za pomoć.

SAČUVAJTE OVO UPUTSTVO!

SPECIFIKACIJE

Brzina bez opterećenja	Do 450/min		
Nož za sečenje	ABR2300		
Preporučena radna temperatura	0 °C-40 °C		
Preporučena temperatura skladištenja	-20 °C-70 °C		
Optimalna temperatura punjenja	5 °C-40 °C		
Težina	1,9 kg		
Izmereni nivo jačine zvuka L_{WA}	96,1 dB(A) K = 3,8 dB (A)		
Nivo zvučnog pritiska kod uha rukovaoca L_{PA}	83,2 dB(A) K = 2,5 dB(A)		
Garantovan nivo jačine zvuka L_{WA} (izmereno prema 2000/14/EC)	100 dB(A)		
Procena vibracije $a_{h,v}$:	Mašina	Sa STX3800	Sa BCX3800
	Leva drška	0,7 m/s ²	0,6 m/s ²
	Desna drška	K = 1,5 m/s ²	K = 1,5 m/s ²

- Deklarisana ukupna vrednost vibracije je izmerena u skladu sa standardnim metodom testiranja i može se koristiti za upoređivanje jednog alata sa drugim;
- Deklarisana ukupna vrednost vibracije može se koristiti i u preliminarnoj proceni izlaganja.

NAPOMENA: Emisija vibracija tokom stvarne upotrebe električnog alata može da se razlikuje od deklarisanе vrednosti u kojoj se alat koristi. Da bi se rukovalac zaštitio, korisnik bi trebalo da nosi rukavice i štitnike za uši u stvarnim uslovima korišćenja.

OPIS

UPOZNAJTE SVOJ ROTOCUT (slika A)

1. Zaptivni vijak
2. Menjač brzina
3. Sečivo
4. Navlaka za nož
5. Sklop štitnika
6. Ključ
7. Inbus ključ
8. Umetak (za upotrebu sa cevi prečnika 25 mm)

POPIS PAKOVANJA

NAZIV DELA	KOLIČINA
ROTOCUT	1
Sklop štitnika	1
Ključ	1
Inbus ključ	1
Umetak	1
Priručnik za rukovaoca	1

SKLAPANJE

⚠ UPOZORENJE: Ako su neki delovi oštećeni ili nedostaju, nemojte koristiti ovaj proizvod dok delovi ne budu zamenjeni. Korišćenje ovog proizvoda sa oštećenim ili nedostajućim delovima može dovesti do ozbiljnih telesnih povreda.

⚠ UPOZORENJE: Ne pokušavajte da modifikujete ovaj proizvod ili da praviite dodatke koji nisu preporučeni za korišćenje sa ovom mašinom. Svaka takva promena ili modifikacija je zloupotreba i može dovesti do opasnih uslova koji mogu da dovedu do ozbiljnih telesnih povreda.

⚠ UPOZORENJE: Da biste sprečili nehotično pokretanje koje bi moglo izazvati ozbiljne telesne povrede, uvek izvucite konektor baterije iz utičnice kada sklapate delove.

ZAMENA GLAVE TRIMERA GLAVOM ROTOCUT

1. Držite trimera sa strunom/motornu kosu i pomoću inbus ključa skinite štitnik trimera, glavu trimera i menjač brzina sa pogonskog vratila (slika B1-B3). Pogonsko vratilo će se kasnije koristiti za sklapanje dodatka ROTOCUT.
2. Izvadite ROTOCUT iz ambalaže, olabavite dva vijka 1# i držite ih na ploči za fiksiranje, olabavite i uklonite vijak 2# sa ploče za fiksiranje. (slika B4)

B-1	Vijak 1#	B-3	Ploča za fiksiranje
B-2	Vijak 2#		

3. Zatim umetnite ROTOCUT glavu na pogonsko vratilo uklonjeno u koraku 1, vodeći računa da rupa B-2 vijka bude poravnata sa rupom na pogonskom vratilu (slika B5).
4. Prvo umetnite vijak B-2 i zategnite ga, a zatim zategnite dva vijka B-1 (slika B6).
5. Izvadite ROTOCUT štitnik iz ambalaže i olabavite dva zavrtnja na štitniku. Skinite i sačuvajte dva zavrtnja i elastične podloške sa štitnika (slika B7).
6. Podignite ROTOCUT glavu i okrenite je nadole; poravnajte dve rupe za montažu na štitniku sa dvema rupama za sklapanje na ROTOCUT ploči za fiksiranje. Vodite računa da smer štitnika bude kao na slici ispod, sa lučnim oblikom oko zuba za sečenje. (slika B8).
7. Pomoću inbus ključa zaključajte štitnik na njegovom mestu.
8. Skinite navlaku za nož sa noža tokom rada.

RUKOVANJE

⚠ UPOZORENJE: Ne dozvolite da zbog poznavanja ovog proizvoda postanete nemarni. Zapamtite da je delić sekunde nepažnje dovoljan da nanese ozbiljnu povredu.

⚠ UPOZORENJE: Uvek nosite zaštitne naočare i zaštitu za sluh. Nepridržavanje toga može dovesti do predmeta izbačenih prema očima i drugih ozbiljnih povreda.

⚠ UPOZORENJE: Ne koristite nikakve dodatke ili pribor koje nije preporučio proizvođač ovog proizvoda. Upotreba dodatka ili pribora koji nisu preporučeni može da dovede do ozbiljne telesne povrede.

⚠ UPOZORENJE: Da biste sprečili ozbiljne telesne povrede, odvojite napajanje baterije od alata pre servisiranja, čišćenja, menjanja dodataka ili skidanja materijala sa jedinice.

Možete koristiti ovaj proizvod za svrhe navedene ispod:

Sečenje: koristi se za sečenje trave oko stubova ili ograda, ivica zidova, ivičnjaka puta, barjera u saobraćaju ili za trimovanje vegetacije na parkinzima.

NAPOMENA: Kad koristite ROTOCUT, vodite računa da ne dođe do izbacivanja stranih predmeta jer to podrazumeva visok rizik: razbijene prozore, ulubljene karserije automobila, prosečene ograde, pokidanu koru drveta ili telesne povrede.

ZA SPAJANJE/ODVAJANJE NAPAJANJA BATERIJE (slika C)

Potpuno napunite pre prve upotrebe.

Poravnajte ▲ na utikaču sa ▲ na mašini. Umetnite utikač u alat dok zelena zaptivka potpuno ne nestane u utičnici.

Za odvajanje napajanja baterije, samo izvucite utikač tako što ćete ga uhvatiti i povući unazad.

POKRETANJE/ZAUSTAVLJANJE ALATA (ZA STX3800 I BCX3800)

Pogledajte odeljak „**POKRETANJE/ZAUSTAVLJANJE TRIMERA SA STRUNOM/MOTORNE KOSE**“ u priručniku za rukovaoca za STX3800/BCX3800.

KORIŠĆENJE ALATA

⚠ UPOZORENJE: Da biste izbegli ozbiljne telesne povrede, uvek nosite sigurnosne naočare sa bočnim štitičnicima ili sigurnosne naočare kad rukujete ovom jedinicom. Nosite masku za lice ili masku za prašinu na prašnjavim mestima.

Očistite područje na kojem ćete seći pre svake upotrebe. Uklonite sve predmete poput kamenja, razbijenog stakla, eksera, žica ili strune koji bi mogli biti izbačeni ili zakačeni dodatkom za sečenje. Uklonite decu, prolaznike i kućne ljubimce iz područja gde ćete raditi. U najmanju ruku, držite svu decu, prolaznike i ljubimce na udaljenosti od najmanje 15 m; i dalje može postojati rizik po posmatrača od izbačenih predmeta. Posmatrača bi trebalo podstaci da nose zaštitne naočare. Ako vam neko priđe, odmah zaustavite motor i dodatak za sečenje.

Pre svake upotrebe proverite da li ima oštećenih/pohabanih delova.

Proverite ROTOCUT glavu, štitičnik i kružnu dršku i zamenite delove koji su naprslji, iskrivljeni, savijeni ili na bilo koji način oštećeni.

⚠ UPOZORENJE: Uvek nosite rukavice kad montirate štitičnik ili servisirate nož. Pazite na nož i zaštitite šaku od posekotina.

Nakon svake upotrebe, očistite alat.

⚠ OPREZ: Začepljenje otvora će sprečiti protok vazduha u kućište motora i dovešće do pregrevanja ili oštećenja motora.

- Koristite samo blag sapun i vlažnu krpu da čistite alat. Nikad ne dozvolite da neka tečnost uđe u alat; nikad ne potapajte nijedan deo alata u tečnost.
- Uvek održavajte otvore za vazduh u kućištu motora bez prljavštine.

ODRŽAVANJE

⚠ UPOZORENJE: Tokom servisiranja, koristite samo identične rezervne delove. Redovno pregledajte i održavajte alat. Da bi se osigurala sigurnost i pouzdanost, sve popravke treba da radi kvalifikovani servisni tehničar.

⚠ UPOZORENJE: Alati na baterije ne moraju da budu uključeni u utičnicu; oni su stoga uvek u radnom stanju. Da biste sprečili ozbiljne telesne povrede, budite veoma oprezni i pažljivi kad radite održavanje, servisiranje ili kad menjate dodatak za sečenje ili druge dodatke.

⚠ UPOZORENJE: Da biste sprečili ozbiljne telesne povrede, odvojite napajanje baterije od alata pre servisiranja, čišćenja, menjanja dodataka ili skidanja materijala sa jedinice.

ZAMENA ROTOCUT NOŽA

⚠ UPOZORENJE: Ako se noževi olabave nakon što su fiksirani na svoje mesto ili ako su jako pohabani, odmah ih zamenite. Nikad ne koristite alat sa labavim ili neefikasnim dodatkom za sečenje.

Upoznajte ROTOCUT glavu kako je prikazano na slici D1.

D-1	Šolja vratila	D-5	Podloška
D-2	Gornji nož	D-6	Klizna posuda
D-3	Donji nož	D-7	Navrtanj
D-4	Potporna šolja		

1. Postavite menjač brzina ROTOCUT glave na čvrstu površinu. Spojite gornji i donji nož kleštima ili stegom a zatim pomoću ključa olabavite navrtanj (slika D2).

2. Uklonite navrtanj, kliznu posudu, podlošku, potpornu šolju, donji nož, gornji nož i šolju vratila redosledom prikazanim na slici D1.
3. Pre instaliranja novih noževa, stavite šolju vratila na vratilo (slika D3). Stavite gornji nož sa velikom šestougaonom rupom na vratilo tako da je površina na kojoj je odštampan „EGO“ logotip okrenuta prema menjaču brzina (slika D4) a zatim stavite donji nož sa malom šestougaonom rupom na vratilo tako da je površina na kojoj je odštampan „EGO“ logotip okrenuta prema rukovaocu (slika D5).

⚠ NAPOMENA: Vodite računa da se šestougaone rupe na noževima i šestougaoni obod vratila uklapaju. U suprotnom, ako su noževi montirani obrnuto, ROTOCUT ne može pravilno da radi i oštetiće noževe.

4. Pratite redosled prikazan na slici D1 da biste ih ponovo sklopili.

PODMAZIVANJE MENJAČA BRZINA

Za najbolji rad i duži radni vek, podmazujte menjač brzina specijalnim mazivom (4-5 g svaki put) posle svakih 50 sati rada.

Specijalno mazivo treba da ispuni sledeće zahteve.

1. Spada u DIN51818: NLGI-1 stepen penetracije konusa.
2. Mazivo na bazi estra.
3. Svojstva odličnog pokretanja na niskoj temperaturi, EP, mehaničkog smicanja, otpornosti na abraziju i oksidativne stabilnosti.
4. Radna temperatura mora da obuhvati -40 °C ~180 °C. Uklonite zaptivni vijak. Sipajte mazivo u menjač brzina kroz rupicu za ulje.

⚠ UPOZORENJE: Ne podmazujte dok je alat još uvek spojen sa baterijom ili dok radi.

ČIŠĆENJE JEDINICE

- Očistite jedinicu vlažnom krpom i blagim deterdžentom.
- Ne koristite jake deterdžente na plastičnom kućištu i drški. Mogu ih oštetiti određena aromatična ulja, poput bora i limuna, i rastvarači poput kerozina. Vлага može da izazove i opasnost od strujnog udara. Obrišite svu vlagu mekom suvom krpom.

SKLADIŠTENJE JEDINICE

- Odvojite napajanje baterije od alata kad nije u upotrebi.
- Temeljno očistite alat pre no što ga uskladištite.
- Skladištite jedinicu na suvom, dobro provetrenom mestu, zaključanu ili na visini, van domašaja dece. Ne skladištite jedinicu na ili pored đubriva, benzina ili drugih hemikalija.

- Upotrebljavajte transportnu navlaku za metalne noževe tokom transportovanja i skladištenja.

Zaštita životne sredine



WEEE (otpadna električna i elektronska oprema)

Ne odlažite električnu opremu, potrošene baterije i punjače u kućni otpad! Odnosite ovaj proizvod u ovlašćeni pogon za reciklažu ili ga odvojite od ostalog smeća radi zasebnog prikupljanja. Električni alati moraju se odneti u ekološki prihvatljiv pogon za reciklažu.

REŠAVANJE PROBLEMA

PROBLEM	UZROK	REŠENJE
ROTOCUT se ne pokreće.	<ul style="list-style-type: none">■ Baterija nije pravilno spojena na pogonsku glavu.■ Baterija je prazna.■ Poluga za zaključavanje i okidač nisu pritisnuti istovremeno.	<ul style="list-style-type: none">■ Spojite bateriju na pogonsku glavu.■ Napunite bateriju EGO punjačem navedenim u ovom priručniku.■ Pritisnite polugu za zaključavanje i držite je, zatim pritisnite okidač da biste uključili jedinicu.
ROTOCUT se zaustavlja tokom sečenja.	<ul style="list-style-type: none">■ Motor je preopterećen.■ Baterija je prevruća.■ Baterija se odvojila od alata	<ul style="list-style-type: none">■ Motor će se ponovo pokrenuti kad se opterećenje ukloni. Za neprekidan rad, smanjite opterećenje na ROTO CUT i izbegavajte duboko sečenje; umesto toga postepeno povećavajte dubinu sečenja.■ Ostavite bateriju da se prirodno ohladi ili duvajte vazduh na nju da ubrzate hlađenje.■ Ponovo spojite bateriju.

GARANCIJA

EGO POLITIKA GARANCIJE

Posetite veb-lokaciju egopowerplus.com za potpune uslove i odredbe EGO politike garancije.

PROČITAJTE UPUTSTVO U CIJELOSTI!



PROČITAJTE KORISNIČKI PRIRUČNIK.

⚠ Preostale opasnosti! Osobe s elektroničkim uređajima poput srčanih elektrostimulatora prije upotrebe ovog proizvoda trebaju se posavjetovati sa svojim ljekarom. Rad električne opreme u neposrednoj blizini srčanih elektrostimulatora može uzrokovati smetnju ili kvar srčanog elektrostimulatora.

⚠ UPOZORENJE! Radi osiguranja sigurnosti i pouzdanosti, sve popravke i zamjene treba obavljati kvalifikovani servisni tehničar.

SIGURNOSNI SIMBOL

Svrha sigurnosnih simbola je skretanje pažnje na moguće opasnosti. Sigurnosni simboli i njihova objašnjenja zahtijevaju vašu potpunu pažnju i razumijevanje. Sami simboli upozorenja sami po sebi ne isključuju opasnost. Uputstva i upozorenja koja pružaju nisu zamjena za propisne mjere za prevenciju nesreća.

⚠ UPOZORENJE! Prije upotrebe ovog alata pobrinite se da sva sigurnosna uputstva u ovom korisničkom priručniku, uključujući sve sigurnosne simbole kao što su "OPASNOST", "UPOZORENJE" i "OPREZ" pročitate s razumijevanjem. Zanemarivanje svih uputstava navedenih u nastavku može rezultirati strujnim udarom, požarom i/ili teškim tjelesnim povredama.

ZNAČENJE SIMBOLA

⚠ SIGURNOSNI SIMBOL UPOZORENJA: ukazuje na OPASNOST, UPOZORENJE ILI OPREZ i može se upotrebljavati u kombinaciji s drugim simbolima ili piktogramima.

⚠ UPOZORENJE! Rukovanje električnim alatima može rezultirati odbacivanjem stranih predmeta u oči, što opet može izazvati teška oštećenja očiju. Prije početka rukovanja električnim alatom, uvijek nosite zatvorene zaštitne naočale ili zaštitne naočale s bočnim štitnicima, a prema potrebi i štitnik za cijelo lice. Preporučujemo nošenje sigurnosne maske proizvođača Wide Vision preko naočala, ili nošenje standardnih zaštitnih naočala s bočnim štitnicima.

SIGURNOSNA UPUTSTVA

Na ovoj stranici slikovno su prikazani i objašnjeni sigurnosni simboli koji se mogu pojaviti na ovom proizvodu. Prije pokušaja sastavljanja i rukovanja, s razumijevanjem pročitate sva uputstva na proizvodu i pridržavajte ih se.

	Simbol upozorenja	Mjere opreza koje se odnose na vašu sigurnost.
	Pročitajte korisnički priručnik.	Radi smanjenja opasnosti od povreda, prije upotrebe ovog proizvoda korisnik treba s razumijevanjem pročitati ovaj korisnički priručnik.
	Nosite zaštitu za oči.	Kada upotrebljavate ovaj proizvod, uvijek nosite zatvorene zaštitne naočale ili zaštitne naočale s bočnim štitnicima i štitnik za cijelo lice.
	Nosite zaštitu za sluh.	Kada rukujete ovim proizvodom, uvijek nosite zaštitu za sluh.
	Nosite zaštitu za glavu.	Radi zaštite glave nosite odobrenu sigurnosnu kacigu.
	Nosite zaštitne rukavice.	Kada rukujete nožem i štitnikom noža zaštitite ruke rukavicama.
	Nosite sigurnosnu obuću.	Kada upotrebljavate ovu opremu nosite neklizajuću sigurnosnu obuću.
	Čuvajte se povratnog udara noža.	Upozorite rukovaoca na opasnost od povratnog udara noža.
	Opasnost od povratnog udara! Druge prisutne osobe držite na udaljenosti.	Odbačeni predmeti mogu odskočiti i rezultirati tjelesnim povredama ili materijalnom štetom. Pobrinite se da druge osobe i kućni ljubimici ostanu podalje od čistača šikare tokom upotrebe.
	Druge prisutne osobe držite na udaljenosti.	Pobrinite se da druge osobe i kućni ljubimici ostanu na udaljenosti od najmanje 15 m od trimera s reznom niti tokom upotrebe.
	Ne upotrebljavajte zaobljeni nož.	Nemojte postavljati zaobljene rezne noževe.

	WEEE	Otpadni električni proizvodi ne smiju se odlagati s otpadom iz domaćinstva. Odnosite ih u ovlašteni centar za reciklažu.
	Buka	Zagarantovani nivo zvučne snage. Emisija buke u okruženju u skladu je s Direktivom Evropske unije.
	Oznaka CE	Ovaj proizvod je u skladu s primjenjivim Direktivama EU.
V	Volt	Napon
n ₀	Brzina vrtnje bez opterećenja	Brzina okretanja, bez opterećenja
min ⁻¹	U minuti	Okretaji u minuti
	Istosmjerna struja	Vrsta ili karakteristike struje
kg	Kilogram	Masa

VAŽNA SIGURNOSNA UPUTSTVA

⚠ UPOZORENJE! Pročitajte sva sigurnosna upozorenja, uputstva, sve ilustracije i specifikacije isporučene s ovim električnim alatom. Zanemarivanje svih uputstava navedenih u nastavku može rezultirati strujnim udarom, požarom i/ili teškim povredama.

Sačuvajte sva upozorenja i uputstva za buduće potrebe.

- Izbjegavajte opasna okruženja. – Uređaje nemojte upotrebljavati na vlažnim ili mokrim nagibima.
- Održavajte štitnike na njihovom mjestu i u radnom stanju.
- Ruke i stopala držite podalje od područja rezanja.
- Radi smanjenja opasnosti od povreda, nemojte nikada raditi na ljestvama ili na nekoj drugoj nesigurnoj podlozi. Reznu jedinicu nemojte nikada držati na visini iznad struka.
- Reznu jedinicu tokom rada redovno provjeravajte u kratkim intervalima ili odmah ako uočite primjetnu promjenu u postupku rezanja.
- Za najbolje rezultate bateriju je potrebno puniti na mjestu gdje je temperatura viša od 5°C i niža od 40°C. Bateriju nemojte skladištiti na otvorenom ili u

vozilu.

- Ako vam neko prilazi, zaustavite motor i reznu jedinicu.
- Upozorite rukovaoca na opasnost od povratnog udara noža.
- Povratni udar noža može se dogoditi kada rotirajući nož dođe u kontakt s predmetom kojeg ne može odmah odrezati.
- Povratni udar noža može biti dovoljno silovit da rezultira odbacivanjem jedinice i/ili rukovaoca u bilo kojem smjeru i mogućim gubitkom kontrole nad jedinicom.
- Povratni udar noža može se dogoditi bez upozorenja ako nož zapne, ako blokira ili se zaglavi.
- Povratni udar noža prije će se dogoditi u područjima gdje je teško vidjeti materijal koji se reže.
- Nemojte pričvršćivati nož na jedinicu bez propisnog postavljanja svih potrebnih dijelova. Zanimarivanje upotrebe propisnih dijelova može rezultirati odbacivanjem noža i teškim povredama rukovaoca i/ili drugih prisutnih osoba. Zbrinite noževe koji su savijeni, deformisani, napuknuti, polomljeni ili oštećeni na bilo koji način. Upotrebljavajte oštar nož. Tup nož prije će zapeti i uzrokovati povratni udar.
- Nož/nit u praznom hodu može uzrokovati povrede dok se još okreće nakon zaustavljanja motora ili otpuštanja okidača. Održavajte propisnu kontrolu dok se nož/nit u potpunosti ne zaustavi.
- Baterijske alate nije potrebno uključivati u električnu utičnicu, stoga su uvijek u radnom stanju. Imajte na umu moguće opasnosti čak i kada alat ne radi. Budite oprezni pri obavljanju radova održavanja ili servisiranja.
- Uređaj nemojte prati crijevom; izbjegavajte da voda dospije u motor i električne priključke.
- Ako se pojave situacije koje nisu obuhvaćene ovim priručnikom, postupite oprezno i uz dobru procjenu. Za pomoć se obratite centru korisničke službe proizvođača EGO.

SAČUVAJTE OVA UPUTSTVA!

TEHNIČKI PODACI

Brzina vrtnje bez opterećenja	Do 450 o/min
Rezni nož	ABR2300
Preporučena radna temperatura	0 °C - 40 °C

Preporučena temperatura skladištenja	-20 °C - 70 °C		
Optimalna temperatura punjenja	5 °C - 40 °C		
Masa	1,9 kg		
Izmjereni nivo zvučne snage L_{WA}	96,1 dB(A) K = 3,8 dB (A)		
Nivo zvučnog pritiska kod uha rukovaoca L_{PA}	83,2 dB(A) K = 2,5 dB(A)		
Zagarantovani nivo zvučne snage L_{WA} (izmjereno u skladu s Direktivom 2000/14/EZ)	100 dB(A)		
Procjena vibracija $a_{h,v}$:	Uređaj	Sa STX3800	S BCX3800
	Lijevi rukohvat	0,7 m/s ²	0,6 m/s ²
	Desni rukohvat	K = 1,5 m/s ²	K = 1,5 m/s ²

- Deklarisane ukupne vrijednosti vibracija izmjerene su u skladu sa standardnom metodom ispitivanja i mogu se primjenjivati za poređenje jednog alata s drugim.
- Deklarisane ukupne vrijednosti vibracija mogu se primjenjivati i u preliminarnoj procjeni izloženosti.

NAPOMENA! Emisija vibracija tokom aktualne upotrebe električnog alata može se razlikovati od deklarisanе vrijednosti u kojoj se alat upotrebljavao; Korisnik radi zaštite treba nositi rukavice i štittnike za uši u aktualnim uslovima upotrebe.

OPIS

UPOZNAJTE SVOJU ROTACIONU REZNU JEDINICU (sl. A)

1. Brtveni vijak
2. Kucište prijenosnika
3. Nož
4. Navlaka za nož
5. Sklop štittnika
6. Ključ
7. Allen ključ
8. Čahura (za upotrebu sa cijevi prečnika 25 mm)

LISTA PAKOVANJA

NAZIV DIJELA	KOLIČINA
ROTACIONA REZNA JEDINICA	1

Sklop štittnika	1
Ključ	1
Allen ključ	1
Čahura	1
Korisnički priručnik	1

SASTAVLJANJE

⚠ UPOZORENJE! Ako je bilo koji dio oštećen ili ako nedostaje, nemojte upotrebljavati ovaj proizvod dok ne zamijenite dijelove. Upotreba ovog proizvoda oštećenih dijelova ili dijelova koji nedostaju može rezultirati teškim tjelesnim povredama.

⚠ UPOZORENJE! Nemojte pokušavati da modifikujete ovaj proizvod ili da pravite pribor koji nije preporučен za upotrebu s ovim uređajem. Sve takve izmjene ili modifikacije predstavljaju nepropisnu upotrebu i mogu rezultirati opasnim stanjima koja mogu dovesti do mogućih teških tjelesnih povreda.

⚠ UPOZORENJE! Radi sprečavanja iznenadnog pokretanja koje može uzrokovati teške tjelesne povrede, uvijek isključite konektor baterije iz utičnice kada postavljate dijelove.

ZAMJENA GLAVE TRIMERA S GLAVOM ROTACIONE REZNE JEDINICE

1. Držite trimер s reznom niti/čistač šikare i upotrijebite allen ključ za skidanje štittnika trimera, glave trimera i kućišta prijenosnika s pogonske osovine (sl. B1 - B3). Pogonska osovina upotrijebit će se kasnije za postavljanje glave ROTACIONE REZNE JEDINICE.
2. Izvadite ROTACIONU REZNU JEDINICU iz pakovanja, otpustite dva vijka br. 1 i držite ih na pričvrstnoj pločici. Otpustite i izvadite vijak br. 2 iz pričvrstne pločice. (sl. B4)

B-1	Vijak br. 1	B-3	Pričvrstna pločica
B-2	Vijak br. 2		

3. A zatim stavite glavu ROTACIONE REZNE JEDINICE na pogonsku osovinu skinutu u koraku 1. Vodite računa da otvor za vijak B-2 bude u ravni s otvorom na pogonskoj osovini (sl. B5).
4. Najprije umetnite vijak B-2 i pritegnite ga, a zatim pritegnite dva vijka B-1 (sl. B6).
5. Izvadite štittnik ROTACIONE REZNE JEDINICE iz pakovanja i otpustite dva svorna vijka u štittniku.

BS

Izvadite dva svorna vijka i opružne podloške iz štitnika i odložite ih (sl. B7).

- Podignite glavu ROTACIONE REZNE JEDINICE i okrenite je prema dolje. Poravnajte dva montažna provrta u štitniku s dva montažna provrta u pričvrstnoj pločici ROTACIONE REZNE JEDINICE. Vodite računa da štitnik bude usmjeren kako je prikazano na slici u nastavku, lučni oblik oko reznog zuba. (sl. B8).
- Za pričvršćivanje štitnika upotrijebite allen ključ.
- Tokom rada s noža skinite navlaku za nož.

RAD

⚠ UPOZORENJE! Nemojte dozvoliti da vas poznavanje ovog proizvoda učini nepažljivim. Imajte na umu da je za nanošenje teških povreda dovoljan samo djelić sekunde nepažnje.

⚠ UPOZORENJE! Uvijek nosite zaštitu za oči, zajedno sa zaštitom za sluh. Nepostupanje u skladu s tim može rezultirati odbacivanjem predmeta u oči i drugim mogućim teškim povredama.

⚠ UPOZORENJE! Nemojte upotrebljavati priključke ili pribor koje nije preporučio proizvođač ovog proizvoda. Upotreba nepreporučenih priključaka ili pribora može rezultirati teškim tjelesnim povredama.

⚠ UPOZORENJE! Radi sprečavanja teških tjelesnih povreda, prije servisiranja, čišćenja, promjene priključaka ili uklanjanja materijala iz jedinice izvadite komplet baterija iz alata.

Ovaj proizvod možete upotrebljavati za svrhe navedene u nastavku:

Rezanje: upotrebljava se za košnju trave oko stubova ili zaštitnih ograda, rubova zidova, ivičnjaka, ograda u saobraćaju ili za košnju vegetacije na parkiralištima.

NAPOMENA! Kada upotrebljavate ROTACIONU REZNU JEDINICU, uvjerite se da u području rada nema odbačenih stranih predmeta, kao što su razbijeni prozori, ulupljene karoserije vozila, ograde za zaštitu od nanosa, odcijepljena kora stabla, koji predstavljaju veliku opasnost od tjelesnih povreda.

UKLJUČIVANJE/ISKLUČIVANJE BATERIJSKOG NAPAJANJA (sl. C)

Komplet baterija napunite prije prve upotrebe.

Poravnajte ▲ utikača sa ▲ uređaja. Utaknite utikač u alat tako da zelena oznaka potpuno nestane u utičnici.

Za isključivanje baterijskog napajanja, jednostavno isključite bateriju držeći je i povlačeći prema nazad.

POKRETANJE/ZAUSTAVLJANJE ALATA (ZA STX3800 I BCX3800)

Pogledajte odjeljak "POKRETANJE/ZAUSTAVLJANJE TRIMERA S REZKOM NITI/ČISTAČA ŠIKARE" u korisničkom priručniku modela STX3800/BCX3800.

UPOTREBA ALATA

⚠ UPOZORENJE! Radi izbjegavanja tjelesnih povreda, uvijek nosite zatvorene zaštitne naočale ili zaštitne naočale kada radite s ovom jedinicom. U prašnjavim područjima nosite zaštitnu masku za lice ili masku za zaštitu od prašine.

Očistite radno područje prije svake upotrebe. Uklonite sve predmete poput kamenja, razbijenog stakla, eksera, žica ili niti koje trimer može odbaciti ili koji se mogu zaplesti u rezni priključak. Iz područja udaljite djecu, druge prisutne osobe i kućne ljubimce. Držite djecu, druge prisutne osobe i kućne ljubimce udaljene najmanje 15 m; za posmatrača čak i tada postoji opasnost od odbačenih predmeta. Druge prisutne osobe potrebno je zamoliti da nose zaštitu za oči. Ako vam neko prilazi, odmah zaustavite motor i rezni priključak.

Prije svake upotrebe provjerite ima li oštećenih/istrošenih dijelova.

Provjerite glavu, štitnik i rukohvat s omčom ROTACIONE REZNE JEDINICE i zamijenite dijelove koji su napukli, deformisani, savijeni ili oštećeni na bilo koji način.

⚠ UPOZORENJE! Pri postavljanju štitnika ili servisiranja noža uvijek nosite rukavice. Pazite na nož i zaštitite ruke od posjekotina.

Očistite alat nakon svake upotrebe.

⚠ OPREZ! Zapreke u ventilacijskim otvorima spriječit će protok zraka u kućište motora i rezultirati pregrijavanjem ili oštećenjem motora.

- Za čišćenje alata upotrebljavajte samo blagu sapunicu i vlažnu krpu. Nemojte nikada dozvoliti da tekućina dospje u alat i nemojte nikada uranjati dijelove alata u tekućinu.
- Zračne ventilacijske otvore u kućištu motora cijelo vrijeme održavajte čistim od naslaga.

ODRŽAVANJE

⚠ UPOZORENJE! Kada obavljate radove servisiranja, upotrebljavajte samo identične zamjenske dijelove.

Redovno obavljajte pregled i održavanje alata. Radi osiguranja sigurnosti i pouzdanosti, sve popravke treba obavljati kvalifikovani servisni tehničar.

⚠ UPOZORENJE! Baterijske alate nije potrebno uključivati u električnu utičnicu, stoga su uvijek u radnom stanju. Radi sprečavanja teških tjelesnih povreda poduzmite dodatne mjere opreza i budite oprezni kada obavljate radove održavanja, servisiranja ili zamjene reznog priključka ili drugih priključaka.

⚠ UPOZORENJE! Radi sprečavanja teških tjelesnih povreda, prije servisiranja, čišćenja, promjene dodatnih priključaka ili uklanjanja materijala iz jedinice izvadite komplet baterija iz alata.

ZAMJENA NOŽA ROTACIONE REZNE JEDINICE

⚠ UPOZORENJE! Ako se noževi otpuste nakon pričvršćivanja ili ako su noževi vrlo istrošeni, odmah ih zamijenite. Alat nemojte nikada upotrebljavati ako je rezni priključak otpušten ili nefunkcionalan.

Upoznajte se s glavom ROTACIONE REZNE JEDINICE kako je prikazano na sl. D1.

D-1	Čašica osovine	D-5	Podloška
D-2	Gornji nož	D-6	Klizna posuda
D-3	Donji nož	D-7	Matica
D-4	Potporna čašica		

1. Stavite kućište prijenosnika glave ROTACIONE REZNE JEDINICE uz čvrstu površinu. Stegnite gornje i donje noževe klijestima ili u škripcu, a zatim upotrijebite ključ za otpuštanje matice (sl. D2).
2. Uklonite maticu, kliznu posudu, podlošku, potporna čašicu, donji nož, gornji nož i čašicu osovine redoslijedom prikazanim na sl. D1.
3. Prije postavljanja novih noževa, stavite čašicu osovine na osovinu (sl. D3). Stavite gornji nož s velikim heksagonalnim otvorom na osovinu tako da površina s otisnutim logotipom "EGO" bude usmjerena prema kućištu prijenosnika (sl. D4), a zatim na osovinu stavite donji nož s malim heksagonalnim otvorom tako da površina s otisnutim logotipom "EGO" bude usmjerena prema rukovaocu (sl. D5).

NAPOMENA! Vodite računa da heksagonalni otvori na noževima i heksagonalno rame osovine nalježu. U suprotnom, ako se noževi postave obrnuto, ROTACIONA REZNA JEDINICA neće moći pravilno raditi i oštetit će noževe.

4. Za skidanje noževa pratite redoslijed prikazan na sl. D1.

PODMAZIVANJE KUĆIŠTA PRIJENOSNIKA

Za najbolji rad i duži radni vijek, kućište prijenosnika podmazujte specijalnom mašću (4 - 5 g svaki put) nakon svakih 50 sati rada.

Posebna mast mora ispunjavati sljedeće zahtjeve:

1. Spadati u DIN51818: NLGI-1 gradaciju penetracije konusa.
2. Mast na bazi estera.
3. Izuzetno pokretanje na niskoj temperaturi, EP, mehanički posmak, svojstva otpornosti na abraziju i oksidacijske stabilnosti.
4. Radna temperatura mora biti -40 °C - 180 °C. Uklonite brtveni vijak. Kućište prijenosnika napunite mašću kroz otvor za ulje.

⚠ UPOZORENJE! Nemojte obavljati podmazivanje kada je alat priključen na bateriju ili kada radi.

ČIŠĆENJE JEDINICE

- Jedinicu čistite vlažnom krpom i blagim deterdžentom.
- Za čišćenje plastičnog kućišta ili rukohvata nemojte upotrebljavati jake deterdžente jer mogu ih oštetiti neka aromatična ulja, kao što su borovo i limunovo ulje i rastvori kao što je kerozin. Vлага može izazvati opasnost od strujnog udara. Vlažna mjesta obrišite mekanom suhom krpom.

SKLADIŠTENJE JEDINICE

- Izvadite komplet baterija iz alata kada ga ne upotrebljavate.
- Alat dobro očistite prije skladištenja.
- Jedinicu skladištite na suhom, dobro prozračenom mjestu koje je moguće zaključati ili koje je na visini izvan dohvata djece. Jedinicu nemojte skladištiti na gnojivima, benzinu ili drugim hemikalijama ili u njihovoj blizini.
- Za transport i skladištenje upotrebljavajte transportnu navlaku za metalne noževe.

Zaštita životne sredine



WEEE (električna i elektronička oprema koja više nije iskoristiva)

Električnu opremu, iskorištenu bateriju i punjač ne odlažite u kućni otpad! Ovaj proizvod odnesite u ovlaštenu centar za reciklažu i time omogućite odvojeno sakupljanje. Električne alate potrebno je vratiti u ekološki prihvatljiv pogon za reciklažu.

OTKLANJANJE PROBLEMA

PROBLEM	UZROK	RJEŠENJE
ROTACIONA REZNA JEDINICA se ne pokreće.	<ul style="list-style-type: none">■ Komplet baterija nije propisno pričvršćen na pogonsku jedinicu.■ Komplet baterija je ispražnjen.■ Ručica za deblokadu i okidač ne pritišću se istovremeno.	<ul style="list-style-type: none">■ Pričvrstite komplet baterija na pogonsku jedinicu.■ Komplet baterija puniti punjačem proizvođača EGO koji je naveden u ovom priručniku.■ Pritisnite ručicu za deblokadu i držite je pritisnutom, a zatim pritisnite okidač za uključivanje jedinice.
ROTACIONA REZNA JEDINICA se zaustavlja tokom rezanja.	<ul style="list-style-type: none">■ Motor je preopterećen.■ Komplet baterija je previše vruć.■ Komplet baterija je odspojen od alata.	<ul style="list-style-type: none">■ Motor će se povratiti po uklanjanju opterećenja. Za kontinuirani rad smanjite opterećenje na ROTACIONU REZNU JEDINICU i izbjegavajte duboko rezanje; umjesto toga pravite progresivno dublje rezove.■ Pričekajte da se komplet baterija prirodno ohladi ili upotrijebite zračnu struju za brže hlađenje.■ Ponovo postavite komplet baterija.

GARANCIJA

POLITIKA GARANCIJE PROIZVOĐAČA EGO

Za sve odredbe i uslove politike garancije proizvođača EGO posjetite internetsku stranicu egopowerplus.com.

קראו את כל ההוראות!



קראו את מדריך ההוראות

⚠ סיכון שיורי! אנשים בעלי מכשירים חשמליים כגון קוצבי לב, צריכים להתייעץ עם הרופא(ים) המטפל(ים) בהם לפני השימוש במכשיר זה. הפעלה של ציוד חשמלי בקרבת קוצבי לב עלולה להפריע לפעולת הקוצב או אפילו להפסיק את פעולתו.

⚠ אזהרה: על מנת להבטיח בטיחות ואמינות, יש לבצע את כל התיקונים וההחלפות בעזרת טכנאי שירות מוסמך.

סמל בטיחות

מטרתם של סימני הבטיחות היא למשוך את תשומת לבכם אל סכנות אפשריות. סימני הבטיחות וההסברים שלהם דורשים את תשומת הלב וההבנה המלאות שלכם. סימני הבטיחות בעצמם לא ימנעו כל סכנה. ההוראות והאזהרות אותן הם מספקים לא תחלפנה נקיטת אמצעי מניעה מתאימים בעת תאונה.

⚠ אזהרה: וודאו שאתם קוראים ומבינים את כל ההוראות הבטיחות המופיעות במדריך זה למשתמש, כולל את כל סימני התרעות הבטיחות כגון „סכנה“, „אזהרה“ ו-“הירות” לפני השימוש במכשיר זה. אי מילוי אחר כל ההוראות המופיעות למטה יכול לגרום אחריו שוק חשמלי, שרפה ו/או פציעות חמורות.

פירוש הסימן

⚠ וא, הרהזא, הנכס יוצג תוֹחִיטב תארתה נְמִיס פִּירחא תונומת וא סינמיסב הוולמ תויהל לוכי, תוריהז

⚠ אזהרה: הפעלה של כלי עבודה חשמליים עלולה לגרום לעצמים זרים להיזרק אל תוך העיניים, דבר העלול לגרום לנזק חמור לעיניים. לפני ההפעלה של כלי עבודה חשמלי, ענדו תמיד משקפי מגן או משקפי בטיחות עם הגנה צדדית, ובעת הצורך, הגנה עבור כל הפנים. אנו ממליצים על שימוש במסכת בטיחות רחבה מעל למשקפי המגן או על שימוש במשקפי בטיחות עם הגנה צדדית.

הוראות בטיחות

עמוד זה מציין ומתאר את סימני הבטיחות העשויים להופיע על גבי המוצר. קראו, הבינו ועקבו אחר ההוראות המופיעות על המכשיר לפני כל ניסיון להרכיב ולהשתמש בו.

	התראת בטיחות	אמצעים הקשורים לבטיחותכם.
--	--------------	---------------------------

	קראו את המדריך למשתמש	על מנת להפחית את הסיכון לפציעות, על המשתמש לקרוא ולהבין את המדריך למשתמש לפני השימוש במוצר זה.
	לבשו מגני עיניים	חבשו תמיד משקפי מגן או משקפי בטיחות עם הגנה צדדית, ובעת הצורך, הגנה עבור כל הפנים, בעת הפעלת מוצר זה.
	לבשו מגני אוזניים	השתמשו תמיד במגני אוזניים בעת הפעלת מוצר זה.
	לבשו מגני ראש	חבשו קסדת בטיחות מאושרת על מנת להגן על הראש שלכם.
	לבשו כפפות מגן	הגנו על הידיים שלכם עם כפפות בעת הטיפול בלהב או במגן הלהב.
	לבשו נעליים בטוחות	נעלו נעלים בטוחות שאינן מחליקות בעת השימוש בציוד.
	היו זהירים מנתז נעיצת להב	הזהירו את המפעיל מפני סכנה של נעיצת להב.
	הרחיקו אנשים אחרים מהאזור	עצמים עלולים להיות מותזים ולגרום לפציעה אישית או לנזק לרכוש. וודאו שאנשים אחרים וחיות מחמד נמצאים רחוק ממסכת הדשא בעת השימוש בה
	הרחיקו אנשים אחרים מהאזור	וודאו שאנשים אחרים וחיות מחמד נמצאים במרחק של לפחות 15 מ' מגוזם החוט בעת השימוש בו.
	ללא להב עגול	אין להתקין להבי חיתוך עגולים.
	WEEE	אין להשליך מוצרים חשמליים ביחד עם אשפה ביתית. הביאו את המכשיר למרכז מחזור מוסמך.
	רעש	רמת עוצמת קול מובטחת. פליטת רעש אל הסביבה בהתאם לתקנת האיחוד האירופי

CE	CE	מוצר זה תואם לתקנות ה-EC הרלוונטיות.
V	וולט	מתח
n ₀	מהירות ללא עומס	מהירות סיבובית, ללא עומס
min ⁻¹	לדקה	סיבובים לדקה
	זרם ישיר	סוג או מאפיין מתח
kg	קילוגרם	משקל

- לפציעה אישית של המפעיל ו/או עוברי אורח. אל תשתמשו בלהבים עקומים, מלופפים, שבורים או ניזוקים בכל דרך שהיא. השתמשו בלהב חד. להב קהה נוטה יותר להיתפס או להינעץ.
- להבחוט גולש עלול לגרום לפציעה בגלל שהוא ממשיך להסתובב לאחר עצירת המנוע או לאחר שחרור ההדק, שימרו על שליטה מתאימה עד לעצירה מלאה של סיבוב הלהב/החוט.
 - כלי הסוללה לא צריכים להיות מחוברים אל החשמל; לכן, הם תמיד נמצאים במצב הפעלה. היו מודעים לסכנות גם כאשר המכשיר איננו פועל. היו זהירים בעת ביצוע עבודות תחזוקה או שירות.
 - אין לשטוף את המכשיר בעזרת צינור; מנעו ממים להיכנס אל המנוע ואל חיבורי החשמל.
 - אם תיתקלו במצבים שאינם מתוארים במדריך זה, פעלו בזהירות ובעזרת שכל ישר. צרו קשר עם מרכז שירות הלקוחות של EGO לעזרה.
- שימרו על הוראות אלו!

הוראות בטיחות חשובות

⚠ אזהרה: קראו את כל אזהרות הבטיחות, את ההוראות, התמונות והמפרטים המסופקים ביחד עם מכשיר חשמלי זה. אי מילוי כל ההוראות המופיעות למטה יכול לגרום אחריו שוק חשמלי, שרפה ו/או פציעה חמורה

- שימרו את כל האזהרות וההוראות לעיון עתידי.
- הימנעו מסיבוב מסוכנות - אל תשתמשו במכשירי חשמל במקומות לחים או רטובים.
 - שימרו על המגנים במקומם ופועלים כהלכה.
 - שימרו על הידיים והרגליים מחוץ לאזור החיתוך.
 - על מנת להפחית את הסיכון לפציעה, לעולם אל תעבדו על סולם או על עצמים לא בטוחים אחרים. לעולם אל תחזיקו את יחידת החיתוך מעל לקו המותניים.
 - בדקו את יחידת החיתוך בטווחי זמן סדירים בעת ההפעלה, או מיד אם מתרחש שינוי בולט באופן החיתוך.
 - לתוצאות הטובות ביותר, הטעינו את הסוללה שלכם במקומות בהם הטמפרטורה גבוהה מ-5°C ונמוכה מ-40°C. אל תאחסנו בחוץ או בתוך כלי רכב.
 - אם אתם רואים מישוה מתקרב, עצרו את המנוע ואת יחידת החיתוך מיד.
 - הזהירו את המפעיל מפני סכנה של נעיצת להב.
 - נעיצת להב עלולה להתרחש כאשר הלהב המסתובב בא במגע עם עצם אשר הוא לא חותך מיד.
 - נעיצת הלהב יכולה להיות אלימה מספיק על מנת לגרום ליחידה ו/או למפעיל להיזרק בכל כיוון, ולאבד את השליטה על היחידה.
 - נעיצת להב עלולה להתרחש ללא אזהרה אם הלהב נקרע, נתקע או נכרך.
 - נעיצת להב עלולה להתרחש בסביבות בהם קשה לראות את החומר הנחתך.
 - אל תצמידו להב כלשהו אל יחידה, ללא התקנה מתאימה של כל החלקים הנדרשים. אי שימוש בחלקים הנכונים עלול לגרום ללהב לנעוץ ולגרום

מפרטים

עד ל-450/דקה		מהירות ללא עומס	
ABR2300		להב חיתוך	
0°C-40°C		טמפרטורת הפעלה מומלצת	
-20°C-70°C		טמפרטורת אחסון מומלצת	
5°C-40°C		טמפרטורת טעינה אופטימלית	
1.9 ק"ג		משקל	
96.1 dB(A) K = 3.8 dB (A)		רמת עוצמת קול נמדדת L _{WA}	
83.2 dB(A) K = 2.5 dB(A)		רמת לחץ קול באוזן המפעיל L _{PA}	
100 dB(A)		רמת עוצמת קול מובטחת L _{WA} (נמדדת על פי 2000/14/EC)	
BCX3800 עמ	STX3800 עמ	מכשיר	הערכת רטט a _n
0.6 מ"/שנייה ²	0.7 מ"/שנייה ²	ידית שמאלית	רטט a _n
1.5 =K מ"/שנייה ²	1.5 =K מ"/שנייה ²	ידית ימנית	

- ערך הרטט הכללי המוצהר נמדד בהתאם לשיטת בדיקה סטנדרטית וניתן להשתמש בו על מנת להשוות ציוד אחד עם ציוד אחר;
- ניתן להשתמש בערך הרטט הכללי המוצהר בהערכה ראשונית של חשיפה.

הודעה: פליטת הרטט בעת השימוש המעשי בכלי יכולה להיות שונה מן הערך המוצהר כאשר הכלי נמצא בשימוש; על מנת להגן על המפעיל, על המשתמש ללבוש כפפות ומגני אזניים בעת השימוש למעשה.

2. הסירו את החרמש הרוטורי מארזתו שחררו את שני הברגים #1 והחזיקו אותם על לוחית ההתקנה, שחררו והוציאו את בורג #2 מלוחית ההתקנה. (איור B4)

תיאור

B-1	בורג #1	B-2	בורג #2
B-3	לוחית ההתקנה		

הכירו את החרמש הרוטורי שלכם (איור A)

1. בורג איטום
2. תיבת הילוכים
3. להב
4. דן הלהב
5. חיבור מגן
6. מפתח ברגים
7. מפתח אלן
8. שיח (לשימוש עם צינור בקוטר 25 מ"מ)

3. ואז הכניסו את ראש ה-חרמש רוטורי על גל ההינע שהורדתם בשלב 1, ודואו שהחור של בורג B-2 מקביל לחור בגל ההינע (איור B5).
4. הכניסו את הבורג B-2 תחילה והדקו אותו, ואז הדקו את שני הברגים של B-1 (איור B6).
5. הוציאו את החרמש הרוטורי מארזתו ושחררו את שני הברגים במגן. הסירו והפכו את שני הברגים ודסקו את הקפיץ מהמגן (איור B7).
6. הרימו את ראש החרמש הרוטורי כשפניו כלפי מטה, יישרו את שני חורי ההרכבה במגן עם שני חורי ההרכבה בלוחית ההתקנה של החרמש הרוטורי. ודואו שכיוון המגן הוא כמו בתמונה להלן, צורת הקשת סביב שיני החיתוך. (איור B8).
7. השתמשו במפתח אלן כדי לנעול את המגן במקומו.
8. הסירו את דן הלהב מהלהב בזמן ההפעלה.

רשימת אריזה

שם חלק	כמות
חרמש רוטורי	1
חיבור מגן	1
מפתח ברגים	1
מפתח אלן	1
שיח	1
מדריך למפעיל	1

הפעלה

⚠ אזהרה: אל תניחו לעובדה שאתם מכירים את המוצר להפוך אתכם לפחות זהירים. זכרו שחוסר זהירות של שבירי אחד של שנייה מספיק לגרום לפציעה אישית חמורה.

⚠ אזהרה: חבשו תמיד משקפי הגנה, ביחד עם מגני שמיעה. אם לא תעשו זאת עצמים עלולים להיזרק אל תוך העיניים שלכם ועלולות להיגרם פציעות חמורות אחרות.

⚠ אזהרה: אל תעשו שימוש בחיבורים או אביזרים אשר לא הומלצו על ידי יצרן מוצר זה. השימוש בחיבורים או אביזרים אשר לא הומלצו עלול לגרום לפציעה חמורה.

⚠ אזהרה: על מנת למנוע פציעות אישיות חמורות, הסירו את מארז הסוללה מן הכלי לפני ביצוע כל עבודות שירות, ניקיון, החלפת אביזרים או הסרה של חומרים מן היחידה.

ןלהל תורטמה רובע קר רצומב שמתשהל סילוכי סתא

חיתוך: משמש לחיתוך הדשא סביב כלונסאות, או גדרות, קצות קירות, מדרכות, גדרות בכביש או לגיזום הצמחים במגרשי חניה.

הרכבה

⚠ אזהרה: אם ישנם חלקים ניזוקים או חסרים, אל תפעילו את המכשיר עד אשר חלקים אלו יוחלפו. שימוש במכשיר זה עם חלקים פגומים או חסרים עלול לגרום לפציעה אישית חמורה.

⚠ אזהרה: אל תנסו לשנות את המוצר או ליצור אביזרים אשר אינם מומלצים לשימוש ביחד עם המכשיר. כל שינוי שכזה או הוספה מהווה שימוש לא נכון במכשיר ועלול לגרום לתנאים מסוכנים אשר יובילו לפציעה אישית אפשרית.

⚠ אזהרה: על מנת למנוע הפעלה מקרית אשר עלולה להוביל לפציעה אישית חמורה, נתקו תמיד את מחבר הסוללה מן השקע בעת הרכבת חלקים.

החלפה של ראש הגוזם עם ראש החרמש הרוטורי

1. החזיקו את גוזם החוט/מכסחת הדשא והשתמשו במפתח אלן כדי להסיר את מגן הגוזם, ראש הגוזם ותיבת ההילוכים מגל ההינע (איור B3-B1). גל ההינע ישמש להרכבת החרמש הרוטורי מאוחר יותר.

תחזוקה

⚠ אזהרה: במקרה של עבודות תיקון, השתמשו רק בחלקי חילוף זהים. בדקו ותחזקו את המכשיר באופן סדיר. על מנת להבטיח בטיחות ואמינות, יש לבצע את כל התיקונים וההחלפות בעזרת טכנאי שירות מוסמך.

⚠ אזהרה: כלי הסוללה לא צריכים להיות מחוברים אל החשמל; לכן, הם תמיד נמצאים במצב הפעלה. על מנת למנוע פציעות אישיות חמורות, היו זהירים מאוד בעת ביצוע עבודות תחזוקה, עבודות שירות או בעת החלפת אביזר החיתוך או אביזרים אחרים.

⚠ אזהרה: על מנת למנוע פציעות אישיות חמורות, הסירו את מארז הסוללה מן הכלי לפני ביצוע כל עבודות שירות, ניקיון, החלפת אביזרי תוספות או הסרה של חומרים מן היחידה.

החלפת להב החרמש הרוטורי

⚠ אזהרה: אם הלהבים נהיים רופפים לאחר שהם מותקנים במקומם או שהלהבים בלויים מאד, החליפו אותם מיד. לעולם אל תשתמשו בגוזם כאשר אביזר החיתוך רופף או לא יעיל.
הכירו את ראש החרמש הרוטורי כמוצג באיור D1.

D-1	להב עליון	D-2	וסית המוט
D-3	כוסית תמיכה	D-4	להב תחתון
D-5	צלחת גלישה	D-6	דסקית
D-7		אום	

1. העמידו את תיבת ההילוכים של ראש החרמש הרוטורי נגד משטח מוצק. הצמידו את הלהב העליון והתחתון בעזרת צבת או מלחציים, ואז השתמשו במפתח ברגים כדי לשחרר את האום (איור D2).
 2. הסירו את האום צלחת הגלישה, הדסקית, כוסית התמיכה, הלהב התחתון, הלהב העליון וכוסית המוט לפי הסדר כמוצג באיור D1.
 3. לפני התקנת הלהבים חדשים, שימו את כוסית המוט על המוט (איור D3). שימו את הלהב העליון עם החור המשושה הגדול על המוט כשהמשטח עם הסמל המודפס "EGO" פונה כלפי תיבת ההילוכים (איור D4), ואז שימו את הלהב התחתון עם החור המשושה הקטן על המוט כשהמשטח עם הסמל המודפס "EGO" פונה כלפי המפעיל (איור D5).
- הודעה:** וודאו שהחורים המשושים על הלהבים וכתף המוט המשושה מותקנים במקומם. אחרת, ברגע שהלהבים מותקנים במהופך, החרמש הרוטורי אינו יכול לפעול כראוי והלהבים ייבזקו.
4. בצעו את רצף הפעולות המוצגות באיור D1 כדי לחברם מחדש.

הודעה: בזמן השימוש בחרמש רוטורי, וודאו שחפצים זרים אינם מושלכים החוצה, מה שכרוך בסיכונים חמורים, חלונות שבורים, שלדות מעוקמות של כלי רכב, גדרות משוסעות, קליפת גזעים קרועה ופציעה אישית.

כדי לחבר או לנתק את מארז הסוללה (איור C)

הטעינו לגמרי לפני השימוש הראשון.

ישרו את **▲** של התקע עם ה-**▲** של המכונה. החדירו את התקע לתוך הכלי עד אשר החותם הירוק נעלם לגמרי בשקע.

כדי לנתק את מארז הסוללה, פשוט נתקו אותו על ידי החזקה ומשיכה אחורנית.

הפעלה/כיבוי של הכלי (עבור STX3800 ו-BCX3800)

ראו את הסעיף הפעלה/כיבוי של גוזם החוט/ גוזם הדשא במדריך למפעיל של STX3800/BCX3800.

השימוש בכלי

⚠ אזהרה: על מנת למנוע פציעות אישיות חמורות, השתמשו במשקפיים או משקפי מגן בכל זמן בו אתם מפעילים את היחידה. לבשו מסכת פנים או מסכת אבק במקומות מאובקים.

נקו את האזור שיש לגזום לפני כל שימוש. הסירו עצמים כגון סלעים, שברי זכוכית, מסמרים, חוטים או כבלים העלולים להיזקק או להיתפס באביזר החיתוך. וודאו שאין ילדים, עוברי אורח ובעלי חיים באזור. כמינימום, שימרו על כל הילדים, עוברי האורח ובעלי החיים במרחק של לפחות 51 מ'; עדיין יכול להיות סיכון לעוברי אורח מעצמים נזרקים. יש לעודד עוברי אורח לחבוש אמצעי הגנה על העיניים. אם אתם רואים מישהו מתקרב, עצרו את המנוע ואת אביזר החיתוך מיד.

לפני כל שימוש, בדקו לאיתור חלקים בלויים/פגומים

בדקו את החרמש הרוטורי, את המגן ואת ידית הלולאה והחליפו את החלקים הסדוקים, המלופפים, המעוקלים או הניזוקים בכל צורה שהיא.

⚠ אזהרה: לבשו תמיד כפפות בעת הרכבת המגן או ביצוע עבודות שירות ללהב. היו זהירים עם הלהב והגנו על הידיים שלכם מפני חיתוך.

לאחר כל שימוש, נקו את הכלי.

⚠ זהירות: מחסומים בפתחי האוויר ימנעו מן האוויר לזרום אל תוך המנוע והתוצאה תהיה חימום יתר או נזקים למנוע.

- השתמשו רק בסבון עדין ובמטלית לחה על מנת לנקות את המכשיר. לעולם אל תרשו לנוזלים להיכנס אל תוך הכלי; לעולם אל תטבילו כל חלק של המכשיר בתוך נוזלים.
- שימרו על פתחי האוויר בתא המנוע נקיים מפני חלקי אשפה.

שוק חשמלי. נקו כל לחות בעזרת מטלית רכה ויבשה.

שימון תיבת ההילוכים

עבור הביצועים הטובים ביותר וחיים ארוכים יותר, שמנו את תיבת ההילוכים עם חומר סיכה מיוחד (4-5 גרם בכל פעם) לאחר כל 50 שעות הפעלה. תואבה תושיירב דומעל דחוימה הכיסה רמוח לע

1. להיות שייך אל : DIN51818:NLGI-1 דרגת חדירת חרוט.
2. חומר סיכה על בסיס אסטר.
3. טמפרטורת הפעלה מאוד נמוכה, EP, גיזום מכני, עמידות לשריטות ומאפייני יציבות חימצונית.
4. טמפרטורת פעולה בין -40°C ל- 180°C . הוציא את בורג האיטום. מלאו שמן בתיבת ההילוכים דרך חור השמן.

⚠ אזהרה: אל תשמנו כאשר הכלי עדיין מחובר אל הסוללה או פועל.

ניקיון היחידה

- נקו את היחידה בעזרת מטלית לחה עם סבון עדין.
- אל תעשו שימוש בחומרי ניקוי חזקים על תא הפלסטיק או על גבי הידית. עלול להיגרם להם נזק על ידי שמנים ארומטיים למיניהם, כגון אורן ולימון, ועל ידי ממסים כגון נפט. לחות עלולה גם לגרום לסכנת

אחסון היחידה

- הסירו את מארז הסוללה מהכלי כאשר לא נעשה בו שימוש.
- נקו את היחידה ביסודיות לפני אחסונה.
- אחסנו את היחידה במקום יבש, מאוורר היטב, נעולה או במקום גבוה, הרחק מהישג ידם של ילדים. אל תאחסנו את היחידה קרוב לחומרי דשן, חומרי דלק או כימיקלים אחרים.
- השתמשו במכסי להב עבור להבי מתכת בעת הובלה ואחסון.

הגנה על הסביבה

WEEE (זריקה של ציוד חשמלי ואלקטרוני)
אל תזרקו ציוד חשמלי, מטעני סוללות וסוללות ביחד עם אשפה ביתית! קרו מוצרים אלו למרכז מחזור מוסמך ו-וודאו שהם זמינים לאיסוף בנפרד. יש להחזיר כלים חשמליים אל מתקן מחזור המתאים לסביבה.



איתור וטיפול בבעיות

פותרון	סיבה	בעיה
<ul style="list-style-type: none"> ■ חברו את מארז הסוללה אל הראש החשמלי. ■ הטעינו את מארז הסוללה עם מטעני EGO הרשומים במדריך זה. ■ לחצו על דוושט הנעילה והחזיקו אותה, לאחר מכן לחצו על ההדק על מנת להפעיל את היחידה. 	<ul style="list-style-type: none"> ■ מארז הסוללה איננו מחובר כראוי לראש החשמלי. ■ קיבולת מארז הסוללה ריקה. ■ ושת הנעילה וההדק אינם משוחררים בו זמנית. 	<p>א ניתן להפעיל את החרמש הרוטורי.</p>
<ul style="list-style-type: none"> ■ המנוע יחזור לפעילות רגילה ברגע בו העומס יוסר. לעבודה ממושכת, הפחיתו את העומס על החרמש הרוטורי והימנעו מחיתוך עמוק, במקום זאת בצעו חתכים עמוקים יותר בהדרגה. ■ אפשרו למארז הסוללה להתקרר באופן טבעי, או באמצעות מפוח אוויר כדי לזרז את הקירור. ■ חברו מחדש את מארז הסוללה. 	<ul style="list-style-type: none"> ■ ישנו עומס יתר של המנוע. ■ מארז הסוללה חם מדי. ■ מארז הסוללה מנותק מן הכלי 	<p>החרמש הרוטורי מפסיק את פעולתו בעת החיתוך.</p>

אחריות

מדיניות האחריות של EGO

אנא בקרו באתר egopowerplus.com עבור התנאים וההתניות השלמים של מדיניות האחריות של EGO.

HE

195

اقرأ جميع التعليمات!



اقرأ دليل التشغيل

⚠️ خطر زائد! الأشخاص الذين تم تركيب أجهزة طبية إلكترونية لهم، مثل منظم ضربات القلب، يجب عليهم استشارة الطبيب قبل استخدام هذا المنتج. لأن تشغيل معدات كهربائية بالقرب من منظم ضربات القلب قد ينشأ عنه خلل أو فشل في أداء منظم ضربات القلب.

⚠️ تحذير: لضمان السلامة والاعتمادية، يجب تنفيذ جميع أعمال الإصلاح واستبدال الأجزاء من قبل فني خدمة مؤهل.

رموز السلامة

الغرض من رموز السلامة هو جذب انتباهك إلى المخاطر المحتملة. رموز السلامة والشروح المصاحبة لها تستحق اهتمامك وفهمك الدقيق. تحذيرات كل رمز، بنفسها، لا تمنع وقوع أي خطر. التعليمات والتحذيرات التي تمنحك إياها لا تعد بديلاً عن تطبيق الإجراءات الملائمة لمنع وقوع الحوادث.

⚠️ تحذير: احرص على قراءة وفهم جميع تعليمات السلامة في دليل التشغيل هذا، بما في ذلك جميع رموز تنبيهات السلامة، مثل "خطر"، وتحذير، وتنبيه قبل استخدام هذه الآلة. عدم اتباع جميع التعليمات الواردة أدناه قد يؤدي إلى حدوث صدمة كهربائية أو نشوب حريق أو التعرض للإصابة الشخصية، أحدها أو جميعها.

معنى الرمز

⚠️ رمز تنبيه السلامة: يشير إلى خطر أو تحذير أو تنبيه، وقد يتم استخدامه بشكل متزامن مع الرموز أو الصور الكتابية الأخرى.

⚠️ تحذير: قد يؤدي تشغيل أي آلة عاملة بالطاقة إلى دخول أي أشياء غريبة في عينيك، وهو ما قد يؤدي إلى إلحاق أضرار خطيرة بالعين. قبل بدء تشغيل الآلة العاملة بالطاقة، احرص دائماً على ارتداء واقيات العينين أو نظارات حماية العينين ذات دروع جانبية، ودرع واقي لكامل الوجه عند اللزوم. نوصي بارتداء قناع السلامة واسع الرؤية لاستخدامه فوق نظارات العين أو نظارات السلامة العادية ذات الدروع الجانبية.

تعليمات السلامة

هذه الصفحة تصف وتشرح رموز السلامة التي قد تظهر على هذا المنتج. اقرأ جميع التعليمات المذكورة على الآلة وافهمها واتبعها قبل محاولة تجميع الآلة وتشغيلها.

	تنبيه سلامة	احتياطات تتعلق بسلامتك.
	اقرأ دليل التشغيل	للحد من خطر الإصابة، يجب على المستخدم قراءة وفهم دليل التشغيل قبل استخدام هذا المنتج.
	ارتد أدوات حماية العينين	ارتد دائماً نظارات الحماية المزودة بواقية على الجانبين، وابتعني ارتداء واقي لكامل الوجه أثناء تشغيل هذا المنتج.
	ارتد أدوات حماية الأذنين	احرص دائماً على ارتداء أدوات حماية الأذنين عند تشغيل هذا المنتج.
	ارتد أدوات حماية الرأس	احرص على ارتداء خوذة أمان صلبة معتمدة لحماية رأسك.
	ارتد قفازات الحماية	احرص على ارتداء قفازات لليدين عند التعامل مع الشفرة أو الوافي الخاص بها.
	ارتد حذاء الحماية	احرص على ارتداء أحذية أمان مانتة للانزلاق عند استخدام هذه الآلة.
	احذر من قوة اندفاع الشفرة	احذر مشعل الآلة من خطر قوة اندفاع الشفرة.
	احذر الأشياء المتطايرة وأبق المراقبين بعيداً عن نطاق عمل الآلة	فالأشياء المتطايرة من الآلة قد ترتد وتؤدي إلى إصابات شخصية أو تلف للممتلكات. احرص على بقاء الأشخاص الأخرين والحيوانات الأليفة بعيداً عن قاطع الأغصان أثناء استخدامه.
	أبق المراقبين بعيداً عن نطاق عمل الآلة	احرص على بقاء الأشخاص الآخرين والحيوانات الأليفة على مسافة لا تقل عن 15 متراً بعيداً عن الجرازة العاملة بالخيوط أثناء استخدامها.
	عدم تركيب شفرة مستديرة	لا تقم بتركيب شفرات جزّ مستديرة.
	نفايات المعدات الكهربائية والإلكترونية (WEEE)	لا يجب التخلص من الأجهزة الكهربائية المستهلكة في النفايات المنزلية. توجه بالجهاز إلى مركز إعادة تدوير معتمد.

	مستوى قوة الصوت المضمون. انبعاثات الضوضاء في البيئة وفقاً لتوجيه الاتحاد الأوروبي	الضوضاء
	هذا المنتج متوافق مع توجيهات شهادة الجودة الأوروبية (CE) المعمول بها.	شهادة الجودة الأوروبية CE
V	فولت	الجهد الكهربائي
n_0	السرعة بدون حمل	سرعة الدوران، بدون حمل
min^{-1}	في الدقيقة	لفة في الدقيقة
	تيار مستمر	النوع أو خصائص التيار
kg	كيلوجرام	الوزن

تعليمات سلامة هامة

⚠ تحذير: اقرأ جميع تحذيرات السلامة والتعليمات والرسوم التوضيحية والمواصفات المرفقة مع هذه الآلة. عدم اتباع جميع التعليمات الواردة أدناه قد يؤدي إلى حدوث صدمة كهربائية أو نشوب حريق أو التعرض للإصابة، أحدها أو جميعها.

احتفظ بجميع التحذيرات والتعليمات للرجوع إليها في المستقبل.

تجنب بيئات العمل الخطيرة - لا تستخدم الأجهزة في المواقع الرطبة أو المبللة.

حافظ على الواقيات في مكانها وبترتيبها الصحيح.

أبق يديك وقدميك بعيداً عن منطقة الجِرْ.

لتقليل خطر التعرض لإصابات، لا تعمل أبداً وأنت فوق سلم أو على أي دعامة غير آمنة أخرى. لا تمسك أبداً بوحدة الجِرْ أعلى من ارتفاع الخصر.

افحص وحدة الجِرْ على فواصل زمنية قصيرة منتظمة أثناء التشغيل، أو على الفور إذا لاحظت وجود تغيير ملحوظ في سلوك الجِرْ.

لتحقيق أفضل النتائج، يجب شحن بطاريته في مكان درجة حرارته أكبر من 5 درجة مئوية وأقل من 40 درجة مئوية. لا يتم تخزين الآلة في مكان خارجي مفتوح أو في السيارات. عند اقتراب أي شخص، أوقف المحرك ووحدة الجِرْ.

حذر مشغل الآلة من خطر قوة اندفاع الشفرة.

قد يحدث اندفاع للشفرة عند ملامسة الشفرة وهي تدور لشيء لم يتم جِزّه على الفور.

قد يكون اندفاع الشفرة عتيفاً بما يكفي لدفع الوحدة و/أو المشغل في أي اتجاه، مع احتمالية فقد السيطرة على الوحدة.

قد يحدث اندفاع الشفرة دون إنذار إذا علقت الشفرة أو تباطأت أو انثنت.

- عادة ما يحدث اندفاع الشفرة في المناطق التي يكون من الصعب رؤية المواد التي يتم جِزّها.
- لا تقم بتركيب أي شفرة على أي وحدة دون القيام بتركيب جميع الأجزاء المطلوبة على النحو الصحيح. عدم استخدام الأجزاء الملائمة قد يتسبب في تحرر الشفرة من مكانها، ما قد يؤدي إلى تعرض مشغل الآلة و/أو المراقبين لإصابات خطيرة. تخلص من الشفرات المثنية أو الملتوية، أو المشققة، أو المكسورة، أو التالفة بأي حال من الأحوال. استخدم شفرة حادة، لأن الشفرة غير الحادة عادة ما تنثني وتتسبب في ارتداد في الآلة.
- قد يتسبب تحرر الشفرة/الخيط في التعرض لإصابات إذا استمر في الدوران بعد توقف المحرك أو ترك الزناد. حافظ على تحكّم الملام في الآلة حتى توقف الشفرة/الخيط تماماً عن الدوران.
- لا تحتاج الآلات العاملة بالبطارية إلى توصيلها بمصدر تيار كهربائي؛ ولهذا فهي دائماً ما تكون جاهزة للتشغيل. احذر المخاطر المحتملة، حتى عند عدم تشغيل الآلة. كن حذراً عند تنفيذ أعمال الصيانة أو الخدمة.
- لا تعمل المنتج بخرطوم الماء؛ وتجنب وصول الماء إلى المحرك والتوصيلات الكهربائية.

إذا حدثت حالات غير مذكورة في هذا الدليل، توخ الحذر واتخذ قرارات حكيمة. تواصل مع مركز خدمة العملاء بشركة EGO طلباً للدعم.

احتفظ هذه التعليمات!

المواصفات

حتى 450 لبقية	السرعة بدون حمل	
ABR2300	شفرة القطع	
0 - 40 درجة مئوية	درجة حرارة التشغيل الموصى بها	
20- 70 درجة مئوية	درجة حرارة التخزين الموصى بها	
5 - 40 درجة مئوية	درجة حرارة الشحن المثالية	
1.9 كجم	الوزن	
96.1 ديسيبل (A)	مستوى قوة الصوت المُقدَّر L_{WA}	
3.8 = K ديسيبل (A)		
83.2 ديسيبل (A)	مستوى ضغط الصوت عند أذن مشغل الآلة L_{PA}	
2.5 = K ديسيبل (A)		
100 ديسيبل (A)	مستوى قوة الصوت المضمون L_{WA} تم قياسه وفقاً للمعيار (2000/14/EC)	
مع الطراز BCX3800	مع الطراز STX3800	الآلة
0.6 م/ثانية	0.7 م/ثانية	المقبض الأيسر
1.5 = K م/ثانية	1.5 = K م/ثانية	المقبض الأيمن
		القيمة المقدرة للاهتزاز a_h :

- القيمة الكلية للاهتزاز الموضحة تم قياسها وفقاً لطريقة اختبار قياسية وقد تستخدم لمقارنة أداة بأخرى؛
 - كما يمكن استخدام القيمة الكلية للاهتزاز الموضحة في التقييم التمهيدي للتعرض.
- ملاحظة:** قد تختلف انبعاثات الاهتزاز أثناء الاستخدام الفعلي للآلة العاملة بالطاقة عن القيمة المعلنة التي يتم استخدام الآلة فيها؛ ولحمية مشغل الآلة، ينبغي على المستخدم ارتداء قفازات وواقبات للأذن في ظروف الاستخدام الفعلية.

الوصف

تعرف على القاطع (الشكل A)

1. مسمار القفل
2. صندوق ناقل الحركة
3. الشفرة
4. غلاف الشفرة
5. تجميعية الواقي
6. مفتاح ربط
7. مفتاح ربط سداسي (الأنكيه)
8. جلبة معدنية (للاستخدام مع الأنبوب بقطر 25 مم)

قائمة المحتويات

الكمية	اسم الجزء
1	القاطع
1	تجميعية الواقي
1	مفتاح ربط
1	مفتاح ربط سداسي (الأنكيه)
1	جلبة معدنية
1	دليل التشغيل

التجميع

- تحذير:** إذا حدث تلف أو فقد في أي أجزاء، لا تقم بتشغيل هذا المنتج إلا بعد استبدال الأجزاء. استخدام هذا المنتج مع وجود أجزاء تالفة أو مفقود قد يؤدي إلى وقوع إصابات شخصية خطيرة.
- تحذير:** لا تحاول إجراء أي تعديلات على هذا المنتج أو ابتداء ملحقات غير موصى بها للاستخدام مع هذه الآلة. أي تغيير أو تعديل من هذا النوع يعتبر سوء استخدام، وقد يؤدي إلى وضع خطير قد يتسبب في وقوع إصابات شخصية خطيرة محتملة.
- تحذير:** لمنع بدء التشغيل غير المقصود، والذي قد يؤدي إلى وقوع إصابات شخصية خطيرة، احرص دائماً على فصل قابس البطارية من المفبس عند تجميع الأجزاء.

استبدال رأس الجِزارة برأس القاطع

1. أمسك الجِزارة العاملة بالخيوط/قاطع الأغصان، واستخدم مفتاح الربط السداسي (الأنكيه) في فك واقي الجِزارة، ورأس الجِزارة، وصندوق ناقل الحركة من عمود التدوير (الشكل B1-B3). سيتم استخدام عمود التدوير في تجميع القاطع لاحقاً.
2. أخرج القاطع من عبوته، وفك المسمارين رقم #1، وثبتهم على لوح التثبيت، وفك المسمار رقم #2 وأخلعه من لوح التثبيت. (الشكل B4)

المسمار رقم #1	B-2	المسمار رقم #2
B-1		
B-3	لوح التثبيت	

3. أدخل رأس القاطع في عمود التدوير الذي تم خله في الخطوة 1، وحرص على أن تكون فتحة المسمار B-2 متحاوية مع الفتحة الموجودة في عمود التدوير (الشكل 5B).
4. أدخل المسمار B-2 أولاً واربطه، ثم اربط المسمارين B-1 (الشكل B6).
5. أخرج واقي القاطع من عبوته وفك المسمارين الموجودين في الواقي. اخلع المسمارين والوردات الزنبركية من الواقي (الشكل B7) واحتفظ بهم.
6. ارفع رأس القاطع ووجهها لأسفل؛ ثم حاذق فتحتي التركيب الموجودتين في الواقي مع فتحتي التجميع الموجودتين في لوح تثبيت القاطع. احرص على أن يكون اتجاه الواقي على النحو الموضح في الصورة أدناه، شكل القوس حول أسنان القطع. (الشكل B8).
7. استخدم مفتاح الربط السداسي (الأنكيه) في تثبيت الواقي في مكانه.
8. اخلع غلاف الشفرة عن الشفرة أثناء التشغيل.

التشغيل

- تحذير:** لا تسمح لاعتيادك على تشغيل هذا المنتج أن يجعلك مستهتراً عند التعامل معه. ولا تنس أن الاستهتار لجزء من الثانية كافٍ للتسبب في حدوث إصابات خطيرة.
- تحذير:** ارتد بشكل دائم أدوات حماية العينين، بالإضافة إلى أدوات حماية السمع. قد ينجم عن عدم الامتثال لذلك دخول أشياء في عينيك، واحتمالية وقوع إصابات خطيرة.
- تحذير:** لا تستخدم أي مرفقات أو ملحقات سوى تلك الموصى بها من قبل الشركة الصانعة لهذا المنتج. لأن استخدام مرفقات أو ملحقات غير موصى بها قد يؤدي إلى وقوع إصابات شخصية خطيرة.
- تحذير:** لمنع التعرض لإصابات شخصية خطيرة، افصل طاقة البطارية عن الآلة قبل إجراء أعمال الصيانة، أو التنظيف، أو تغيير المرفقات، أو إزالة المواد من الوحدة.
- يمكنك استخدام هذا المنتج للأغراض الموضحة أدناه:
- الجِزارة: تستخدم في جِز الحشائش الموجودة حول الأعمدة أو الحواجز الأمنية، أو حواف الجدران، أو حواجز الطرق الحديدية، أو السياج على الطرق العامة، أو جِز النباتات النامية في باحات وقوف السيارات.

ملاحظة: عند استخدام القاطع، تأكد من عدم تطاير أي أشياء غريبة قد تنطوي على مخاطر كبيرة: زجاج مسكور، أو هيكل السيارات المسننة، أو السياج المشقوق، أو لحاء الأشجار المنزق، أو الإصابات الشخصية.

لتوصيل/فصل طاقة البطارية (الشكل C)

اشحن البطارية بالكامل قبل الاستخدام لأول مرة.

قم بمحاذاة ▲ الموجودة بالقابس مع ▲ الموجودة بالآلة. أدخل القابس في الآلة إلى أن السدادة الخضراء بأكملها في المقيس. لفصل طاقة البطارية، ما عليك سوى فصلها بالإمساك بالقابس وسحبها للخلف.

لبدء تشغيل/إيقاف الآلة (مع الطراز BCX3800 و STX3800)

راجع قم "بدء تشغيل/إيقاف الجزارة العاملة بالخيط/قاطعة

الأغصان" في دليل تشغيل STX3800/BCX3800.

استخدام الآلة

تحذير: لتجنب التعرض لإصابات خطيرة، ارتد واقبات العينين أو نظارات حماية العينين في جميع الأوقات أثناء تشغيل هذه الوحدة. ارتد قناع للوجه أو قناع أترية في الأماكن كثيرة الأترية.

نظف منطقة الجزر قبل كل استخدام للآلة. تخلص من جميع الأشياء مثل الصخور أو الزجاج المكسور أو المسامير أو الأسلاك أو الخيوط التي قد تدخل في ملحق الجزر أو تعيقه. أبق المنطقة خالية من الأطفال والمرافقين والحيوانات الأليفة. على الأقل، اجعل الأطفال والمرافقين والحيوانات الأليفة على مسافة لا تقل عن 15 مترًا؛ فقد يكون هناك خطر تعرض المرافقين للأشياء المتطايرة. يجب تشجيع المرافقين على ارتداء أدوات حماية العينين. عند اقتراب أي شخص، أوقف المحرك وملحق الجزر على الفور.

قبل كل استخدام، افحص الأجزاء التالفة/المتآكلة

افحص رأس القاطع والواقي ومقبض العروة، واستبدل الأجزاء المشققة أو المتآكلة أو المشددة أو التالفة بأي شكل من الأشكال.

تحذير: احرص دائمًا على ارتداء قفازات عند تركيب الواقي أو صيانة الشفرة. كن حذرًا من الشفرة، واحم يديك من التعرض للجرح.

نظف الآلة بعد كل استخدام.

تنبيه: العواقر الموجودة في الفحات قد تمنع الهواء من التدفق في هيكل المحرك، وهو ما قد يؤدي إلى السخونة المفرطة أو تلف المحرك.

- استخدم فقط صابونًا خفيفًا وقطعة قماش مبللة عند تنظيف الآلة. لا تسمح أبدًا بدخول أي سوائل إلى داخل الآلة، ولا تغمر أي جزء منها في السوائل بأي حال من الأحوال.
- حافظ على خلو فحات الهواء الموجودة في هيكل المحرك من العواقر في جميع الأوقات.

الصيانة

تحذير: استخدم فقط قطع غيار أصلية عند إجراء أعمال الصيانة. قم بفحص الآلة وصيانتها بانتظام. لضمان السلامة والاعتمادية، يجب تنفيذ جميع أعمال الإصلاح من قبل فني خدمة مؤهل.

تحذير: لا تحتاج الآلات العاملة بالبطارية إلى توصيلها بمصدر تيار كهربائي؛ ولهذا فهي دائمًا ما تكون جاهزة للتشغيل. لمنع

وقوع إصابات شخصية خطيرة، تعامل بحذر شديد عند تنفيذ أعمال الصيانة، أو الخدمة، أو تغيير ملحق الجزر أو الملحقات الأخرى.

تحذير: لمنع التعرض لإصابات شخصية خطيرة، أفضل طاقة البطارية عن الآلة قبل إجراء أعمال الصيانة، أو التنظيف، أو تغيير المرفقات المضافة، أو إزالة المواد من الوحدة.

استبدال شفرة القاطع

تحذير: إذا انفكت الشفرات بعد تثبيتها في موضعها أو إذا كانت الشفرات متهالكة للغاية، فاستبدل الشفرات على الفور. احرص على ألا تستخدم أبدًا آلة بها ملحق جزر مفكوك أو عديم الجدوى.

تعرف على رأس القاطع على النحو الموضح في الشكل D1.

D-1	طاسة العمود	D-2	الشفرة العلوية
D-3	الشفرة السفلية	D-4	طاسة الدعم
D-5	وردة	D-6	مسمار مجوف منزلق
D-7	صامولة		

- ضع صندوق ناقل الحركة برأس القاطع على سطح صلب. اشبك الشفرتين، العلوية والسفلية، باستخدام كمانشة أو على منجلة، ثم استخدم مفتاح الربط لك الصامولة (الشكل D2).
- أدخل الصامولة والمسمار المجوف المنزلق والوردة وطاسة الدعم والشفرة السفلية والشفرة العلوية وطاسة العمود بالترتيب الموضح في الشكل D1.
- قبل تركيب الشفرات الجديدة، ضع طاسة الدعم على العمود (الشكل D3). ضع الشفرة العلوية ذات الفتحة السداسية الكبيرة على العمود بحيث يكون الجانب الذي عليه كلمة "EGO" متجهًا نحو صندوق ناقل الحركة (الشكل D4)، وبعد ذلك ضع الشفرة السفلية ذات الفتحة السداسية الصغيرة على العمود بحيث يكون الجانب الذي عليه كلمة "EGO" متجهًا نحو مشغل الآلة (الشكل D5).

ملاحظة: تأكد من توازن الفتحات السداسية الموجودة بالشفرات في مكانها الملائم على الطرف السداسي للعمود. وإلا، فعند ربط الشفرات بشكل عكسي، لن يعمل القاطع بشكل صحيح، وهو ما قد يؤدي لتلف الشفرات.

- اتبع الترتيب الموضح في الشكل D1 لتعيد تجميعهم.

تشحيم صندوق ناقل الحركة

لتحقيق أفضل تشغيل وأطول عمر للآلة، قم بتشحيم صندوق ناقل الحركة بشحم خاص (4-5 جم في كل مرة) بعد كل 50 ساعة تشغيل.

يجب أن يلي الشحم الخاص المتطلبات التالية.

- أن ينتمي لدرجة الاختراق المخروطي DIN51818 NLGI-1.
- شحم قائم على ملح الإستر.
- بدء التشغيل المثالي في درجات الحرارة المنخفضة، والضغط اللفاتق، والجزر الميكانيكي، والمقاومة أثناء الكشط، وخصائص الثبات التأكسدية.
- يجب أن تكون درجة حرارة التشغيل ما بين 40-180 درجة مئوية. فك مسمار القفل. ضع الشحم في صندوق ناقل الحركة عبر فتحة الزيت.

تحذير: لا تقم بالتشحيم أثناء توصيل الآلة بالبطارية أو تشغيلها.

تنظيف الوحدة

- نظف الوحدة باستخدام قطعة قماش مبللة مع منظف خفيف.
- لا تستخدم أي منظفات قوية على الهيكل البلاستيكي أو المقبض.
- لأنهم معرضون للتلف بفعل زيوت عطرية معينة، مثل الصنوبر والليمون، وبفعل محاليل مثل الكيروسين. كما قد تتسبب الرطوبة في التعرض لصدمة كهربائية. امسح أي بلل بقطعة قماش جافة ناعمة.

تخزين الوحدة

- أفضل قابس البطارية عن الآلة عند عدم استخدامها.
- نظف الآلة جيداً قبل تخزينها.
- خزن الوحدة في منطقة جافة جيدة التهوية، بحيث يكون في مكان مقفل أو عالي عن سطح الأرض بعيداً عن متناول أيدي الأطفال.
- لا تقم بتخزين الوحدة على الأسمدة أو البنزين أو المواد الكيميائية الأخرى، أو بجوارها.
- استخدم غطاء نقل لتغطية الشفرات المعدنية أثناء عملية النقل والتخزين.

حماية البيئة

نفايات المعدات الكهربائية والإلكترونية (WEEE)
لا تتخلص من المعدات الكهربائية أو البطارية المستهلكة أو الشاحن في النفايات المنزلية! بل توجه بهذا المنتج إلى مركز إعادة تدوير معتمد ليكون متاحاً للفرز بشكل منفرد. تجب إعادة الآلات الكهربائية إلى مرفق إعادة تدوير صديق للبيئة.



استكشاف الأخطاء وإصلاحها

المشكلة	السبب	الحل
لا يمكن بدء تشغيل القاطع.	<ul style="list-style-type: none"> مجموعة البطارية غير موصلة كما ينبغي برأس الآلة العاملة بالطاقة. نقد شحن مجموعة البطارية. لم يتم الضغط على ذراع القفل والزناد بشكل متزامن. 	<ul style="list-style-type: none"> قم بتوصيل مجموعة البطارية في رأس الآلة العاملة بالطاقة. اشحن مجموعة البطارية بشاحن EGO المدرج في هذا الدليل. اضغط مع التثبيت على ذراع القفل، ثم اضغط مع التثبيت على الزناد لتشغيل الوحدة.
القاطع يتوقف أثناء الجَز.	<ul style="list-style-type: none"> هناك حمل زائد على المحرك. مجموعة البطارية ساخنة للغاية. مجموعة البطارية مفصولة من الآلة. 	<ul style="list-style-type: none"> سيعاود المحرك العمل عند التخلص من الحمل الواقع عليه. عند العمل بشكل متواصل، خفف الحمل الواقع على القاطع وتجنب الجَز العميق؛ بل بدلاً من ذلك، قم بتعميق الجَز بشكل تدريجي. اترك مجموعة البطارية تبرد بشكل طبيعي، أو اسخدم منفاخ هواء لتسريع عملية التبريد. أعد توصيل مجموعة البطارية.

الضمان

سياسة ضمان EGO

تفضل بزيارة الموقع الإلكتروني egopowerplus.com للتعرف على الشروط والأحكام الكاملة الخاصة بسياسة ضمان EGO.